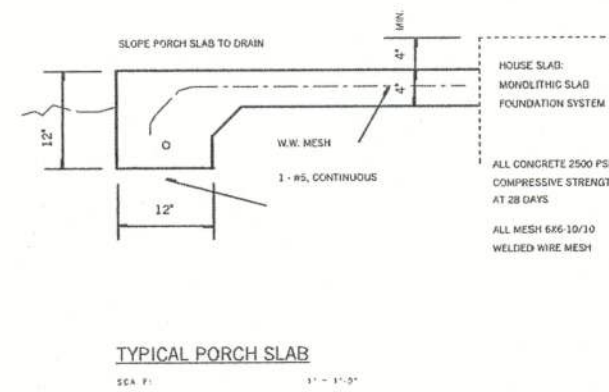
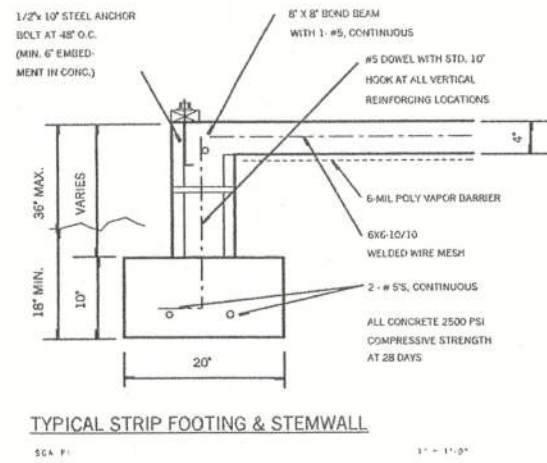
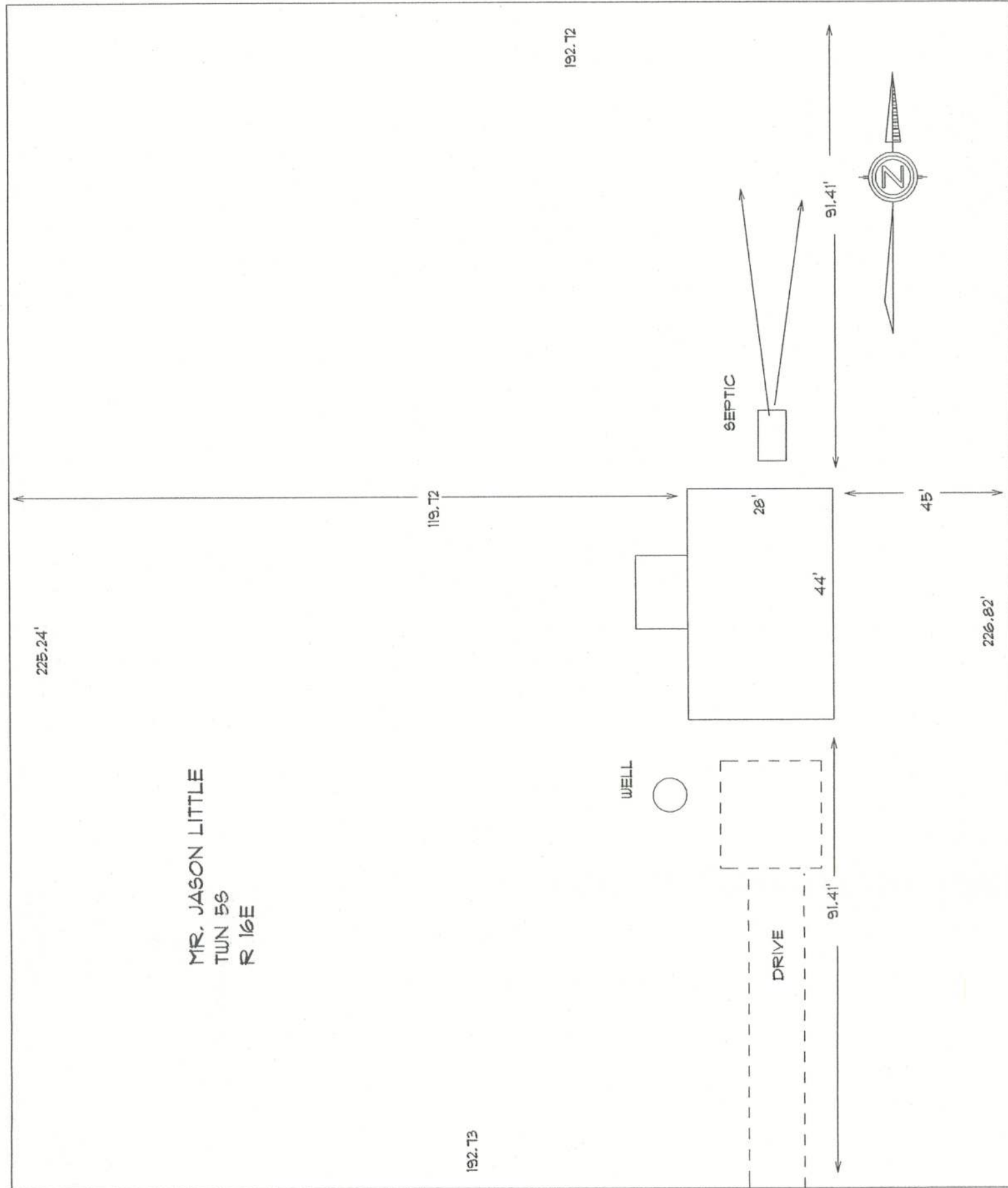


|   |                |
|---|----------------|
| ALL WIND LOADS ARE IN ACCORDANCE WITH SECTION 16-06 FLORIDA BUILDING CODE, 2001 EDITION |                |
| BASIC WIND SPEED  | 100 MPH        |
| WIND IMPORTANCE FACTOR  | I.O.           |
| BUILDING CATEGORY   | ENCLOSED       |
| WIND EXPOSURE   | B              |
| INTERNAL PRESSURE COEFF.  | +0.15          |
| COMPONENTS AND GLAZING  | ROOF 25.0 PSF  |
| DESIGN WIND PRESSURE  | WALLS 25.0 PSF |



**JOB NAME**  
**LITTLE**

**DESIGNER**  
**MIKE TODD**  
135 N. COLBURN  
LAKE CITY, FL

**A CUSTOM HOME FOR MR. JASON LITTLE**  
**MIKE TODD CONSTRUCTION**