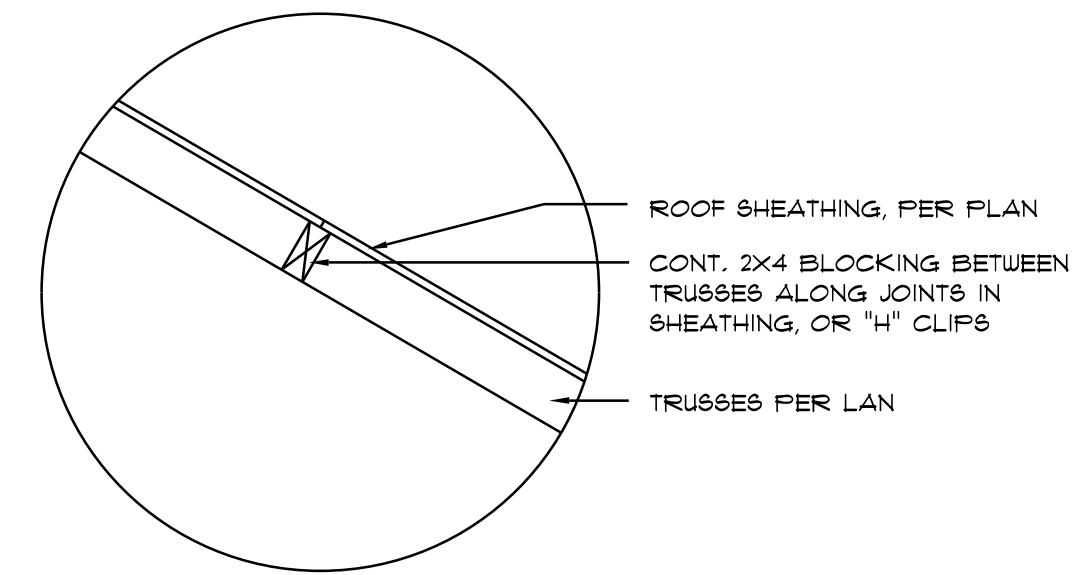


Vent DETAIL

SCALE: NONE

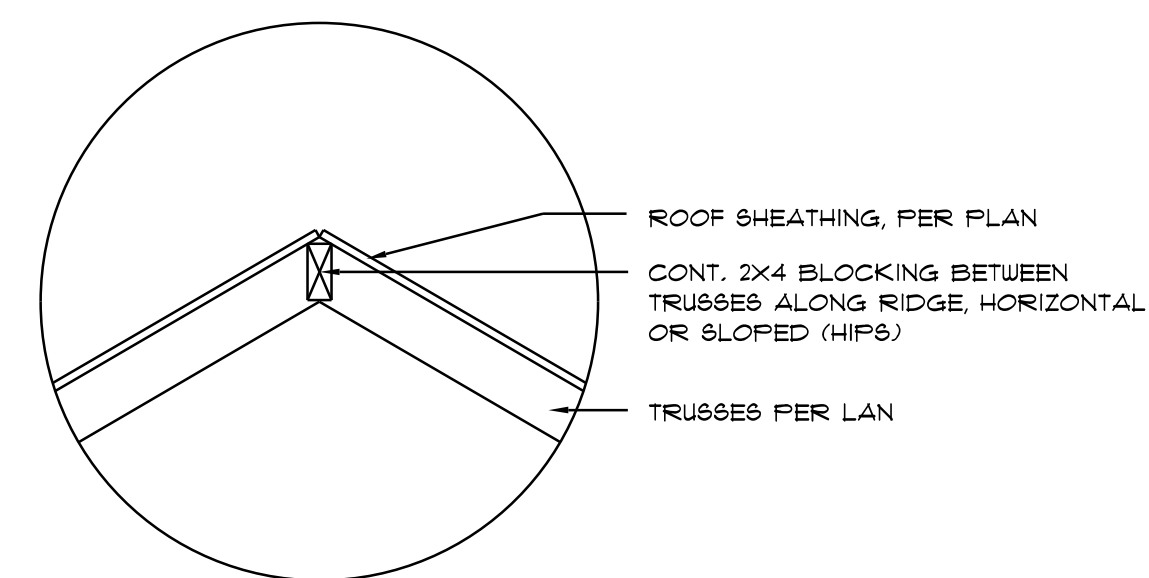
A1



Joint DETAIL

SCALE: NONE

A2



Ridge DETAIL

SCALE: NONE

A3

FRAMING ANCHOR SCHEDULE

APPLICATION	MANUF'R/MODEL	CAP.
TRUSS TO WALL:	SIMPSON H2.5a or SDUC15600	600*
GIRDER TRUSS TO POST/HEADER:	SIMPSON LGT. W/ 2" - 16d NAILS	1785*
HEADER TO KING STUD(S):	SIMPSON ST22	1370*
PLATE TO STUD:	NO CONNECTION REQ. WHEN USING WINDSTORM BOARD	
STUD TO SILL:	NO CONNECTION REQ. WHEN USING WINDSTORM BOARD	
PORCH BEAM TO POST:	SIMPSON PC44 or (2) 5/8" LAG BOLTS EA. POST	1700*
PORCH POST TO FND.:	SIMPSON ABU44	2200*
MISC. JOINTS	SIMPSON A34	315*/240*

NOTE:
ALL ANCHORS SHALL BE SECURED W/ NAILS AS PRESCRIBED BY THE MANUFACTURER FOR MAXIMUM JOINT STRENGTH, UNLESS NOTED OTHERWISE.

NOTE:
REFER TO THE INCLUDED STRUCTURAL DETAILS FOR ADDITIONAL ANCHORS/ JOINT REINFORCEMENT AND FASTENERS.

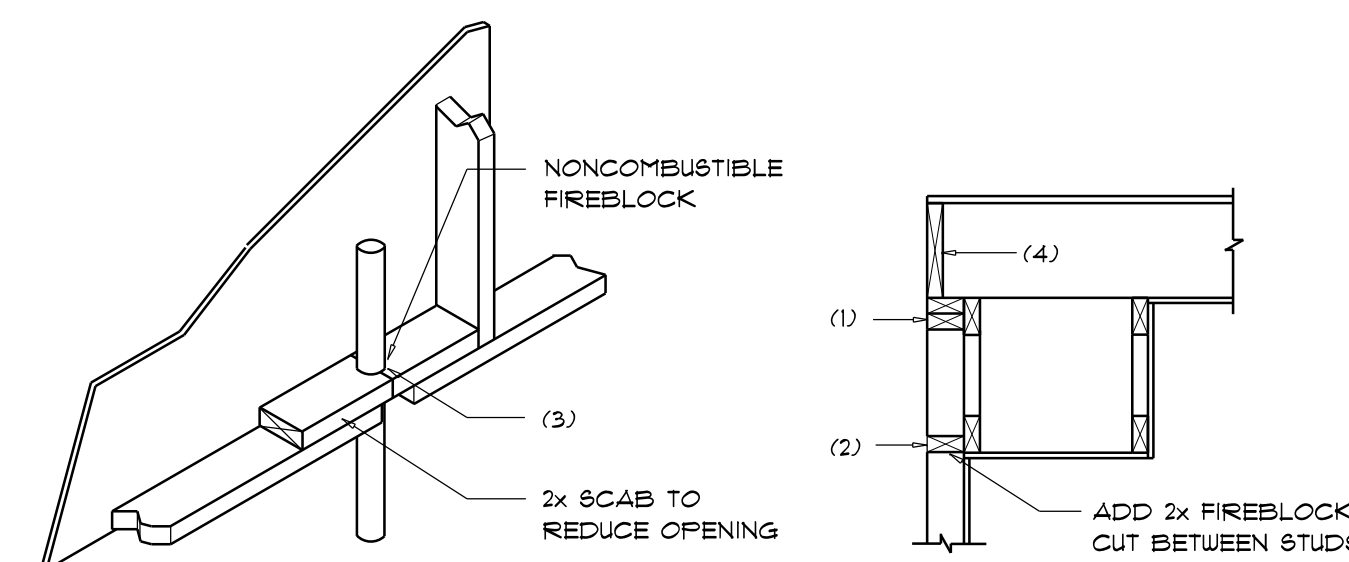
NOTE:
ALL UNLISTED JOINTS IN THE LOAD PATH SHALL BE REINFORCED WITH SIMPSON A34 FRAMING ANCHORS, TYPICAL T.O.

NOTE:
"SEMCO" PRODUCT APPROVAL:
MIAMI/DADE COUNTY REPORT #95-0218.15

NOTE:
"SIMPSON" PRODUCT APPROVALS:
MIAMI/DADE COUNTY REPORT #97-0107.05, #96-1126.11, #99-0623.04
8ECCI NER-443, NER-393

WIND SPEED	WIND DIRECTION	BUILDING COMPONENTS & CLADDING LOADS MEAN BUILDING HEIGHT = 30.0', EXPOSURE "B" ROOF ANGLE 'T' TO 2T'				
		VULT 150 MPH	VULT 120 MPH	VULT 150 MPH	VULT 140 MPH	
ROOF 'T' TO 2T'	1	10	12.0 / -19.9	14.9 / -23.7	17.8 / -27.8	20.3 / -32.3
	1	20	11.4 / -19.4	13.6 / -23.0	16.0 / -27.0	18.5 / -31.4
	1	50	10.0 / -18.6	11.9 / -22.2	13.9 / -26.0	16.1 / -30.2
	2	10	12.5 / -34.7	14.9 / -41.3	17.8 / -48.4	20.3 / -56.2
	2	20	11.4 / -31.9	13.6 / -38.0	16.0 / -44.6	18.5 / -51.7
	2	50	10.0 / -28.2	11.9 / -33.6	13.9 / -39.4	16.1 / -45.7
WALL	3	10	12.5 / -51.3	14.9 / -61.0	17.8 / -71.6	20.3 / -83.1
	3	20	11.4 / -47.9	13.6 / -57.1	16.0 / -67.0	18.5 / -77.1
	3	50	10.0 / -43.9	11.9 / -51.8	13.9 / -60.8	16.1 / -70.5
	4	10	21.8 / -23.6	25.9 / -34.7	30.4 / -33.0	35.3 / -38.2
	4	20	20.8 / -22.6	24.7 / -28.9	29.0 / -31.6	33.7 / -36.7
	4	50	19.5 / -21.3	23.2 / -25.4	27.2 / -29.8	31.6 / -34.6
5	10	21.8 / -29.1	25.9 / -34.7	30.4 / -40.7	35.3 / -47.2	
	20	20.8 / -27.2	24.7 / -32.4	29.0 / -38.0	33.7 / -44.0	
	50	19.5 / -24.6	23.2 / -29.3	27.2 / -34.3	31.6 / -39.8	

BLDG HEIGHT	HEIGHT & EXPOSURE ADJUSTMENT COEFFICIENTS FOR BUILDING COMPONENTS & CLADDING		
	EXPOSURE "B"	EXPOSURE "C"	EXPOSURE "D"
15	.82	1.21	1.47
20	.89	1.29	1.55
25	.94	1.35	1.61
30	1.00	1.40	1.66



PENETRATIONS

SOFFIT/DROPPED CLG.

FIREBLOCKING NOTES:

FIREBLOCKING SHALL BE INSTALLED IN WOOD FRAME CONSTRUCTION IN THE FOLLOWING LOCATIONS:

- IN CONCEALED SPACES OF STUD WALLS AND PARTITIONS INCLUDING FURRED SPACES AT CEILING AND FLOOR LEVELS.
- AT ALL INTERCONNECTIONS BETWEEN CONCEALED VERTICAL AND HORIZONTAL SPACES SUCH AS OCCUR AT SOFFITS, DROP CEILING, COVE CEILING, ETC.
- AT OPENINGS AROUND VENTS, PIPES, DUCTS, CHIMNEYS AND FIREPLACES AT CEILING AND FLOOR LEVELS WITH "PYROPANEL MULTIFLEX SEALANT"
- AT ALL INTERCONNECTIONS BETWEEN CONCEALED VERTICAL STUD WALL OR PARTITION SPACES AND CONCEALED SPACES CREATED BY AN ASSEMBLY OF FLOOR JOISTS; FIREBLOCKING SHALL BE PROVIDED FOR THE FULL DEPTH OF THE JOISTS AT THE ENDS AND OVER THE SUPPORTS.

Fire Stopping DETAILS

SCALE: NONE

A

FLORIDA BUILDING CODE

Compliance Summary

TYPE OF CONSTRUCTION

Roof: Gable Construction, Wood Trusses @ 24" O.C.
Walls: 2x6 Wood Studs @ 16" O.C.
Floor: 4" Thk. Concrete Slab w/ Fibermesh Concrete Additive
Foundation: Continuous Footer/Stem Wall

ROOF DECKING

Material: 1/2" CDX Plywood or 7/16" O.S.B.
Sheet Size: 48"x96" Sheets Perpendicular to Roof Framing
Fasteners: .113 RING SHANKED Nails per schedule on sheet 9.4

SHEARWALLS

Material: 7/16" O.S.B. WINDSTORM BOARD
Sheet Size: 48"x96" Sheets Placed Vertical
Fasteners: .113 COMMON Nails @ 4" O.C. Edges & 8" O.C. Interior
Dragstrut: Double Top Plate (S.Y.P.) w/ 16d Nails @ 12" O.C.
Wall Studs: 2x6 Studs @ 16" O.C.

HURRICANE UPLIFT CONNECTORS

Truss Anchors: SIMPSON H2.5a @ Ea. Truss End (Typ. U.O.N.)
Wall Tension: Wall Sheathing Nailing is Adequate - 8d @ 4" O.C. Top & Bot.
Anchor Bolts: 1/2" A307 Bolts @ 48" O.C. - 1st Bolt 6" from corner
Corner Hold-down Device: (1) HD5a @ each corner
Forch Column Base Connector: Simpson AEB66 @ each column
Forch Column to Beam Connector: Simpson M8TA20 (2 ea. side) or Simpson EPC66 or 2 - 5/8" thru bolts

FOOTINGS AND FOUNDATIONS

Footings: 20"x10" Cont. W/ 2 - #5 Bars Cont. on wire/plastic chairs @ 48" o.c.
Stemwall: 8" C.M.U. W/ #5 Vertical Dowel @ 48" O.C.
Int. Footings: 12"x12" x Cont. W/ 2 - #5 Bars Cont. on wire/plastic chairs @ 48" o.c.

STRUCTURAL DESIGN CRITERIA:

1. THE DESIGN COMPLIES WITH THE REQUIREMENTS OF THE 2023 FLORIDA, 8th EDITION BUILDING CODE - SECTION 1609 AND OTHER REFERENCED CODES AND SPECIFICATIONS. ALL CODES AND SPECIFICATIONS SHALL BE LATEST EDITION AT TIME OF PERMIT.

2. WIND LOAD CRITERIA: RISK CATEGORY: 2, EXPOSURE: "B"

BASED ON ANSI/ASCE 7-22, 2023 FBC 1609-A WIND VELOCITY: V_{ULT} = 130 MPH
V₅₀ = 101 MPH

3. ROOF DESIGN LOADS:
SUPERIMPOSED DEAD LOADS: .20 PSF
SUPERIMPOSED LIVE LOADS: .20 PSF

4. FLOOR DESIGN LOADS:
SUPERIMPOSED DEAD LOADS: .25 PSF
SUPERIMPOSED LIVE LOADS:
RESIDENTIAL .40 PSF
BALCONIES .60 PSF

5. WIND NET UPLIFT: ARE AS INDICATED ON PLANS

TERMITE PROTECTION NOTES:

SOIL CHEMICAL BARRIER METHOD:

- A PERMANENT SIGN WHICH IDENTIFIES THE TERMITE TREATMENT PROVIDER AND NEED FOR REINSPECTION AND TREATMENT CONTRACT RENEWAL SHALL BE PROVIDED. THE SIGN SHALL BE POSTED NEAR THE WATER HEATER OR ELECTRIC PANEL. FBC 1402.6
- CONDENSATE AND ROOF DOWNSPOUTS SHALL DISCHARGE AT LEAST 1'-0" AWAY FROM BUILDING SIDE WALLS. FBC 1503.4.4
- IRRIGATION/SPRINKLER SYSTEMS INCLUDING ALL RISERS AND SPRAY HEADS SHALL NOT BE INSTALLED WITHIN 1'-0" FROM BUILDING SIDE WALLS. FBC 1503.4.4
- TO PROVIDE FOR INSPECTION FOR TERMITE INFESTATION, BETWEEN WALL COVERINGS AND FINAL EARTH GRADE SHALL NOT BE LESS THAN 6".
EXCEPTION: PAINT AND DECORATIVE CEMENTIOUS FINISH LESS THAN 5/8" THICK ADHERED DIRECTLY TO THE FOUNDATION WALL. FBC 1403.1.6

- INITIAL TREATMENT SHALL BE DONE AFTER ALL EXCAVATION AND BACKFILL IS COMPLETE. FBC 1816.1.1
- SOIL DISTURBED AFTER THE INITIAL TREATMENT SHALL BE RETREATED INCLUDING SPACES BOXED OR FORMED. FBC 1816.1.2

- BOXED AREAS IN CONCRETE FLOOR FOR SUBSEQUENT INSTALLATION OF TRAPS, ETC., SHALL BE MADE WITH PERMANENT METAL OR PLASTIC FORMS. PERMANENT FORMS MUST BE OF A SIZE AND DEPTH THAT WILL ELIMINATE THE DISTURBANCE OF SOIL AFTER THE INITIAL TREATMENT. FBC 1816.1.3
- MINIMUM 6 MIL VAPOR RETARDER MUST BE INSTALLED TO PROTECT AGAINST RAINFALL DILUTION. IF RAINFALL OCCURS BEFORE VAPOR RETARDER PLACEMENT, RETREATMENT IS REQUIRED. FBC 1816.1.4
- CONCRETE OVERPOUR AND MORTAR ALONG THE FOUNDATION PERIMETER MUST BE REMOVED BEFORE EXTERIOR SOIL TREATMENT. FBC 1816.1.5
- SOIL TREATMENT MUST BE APPLIED UNDER ALL EXTERIOR CONCRETE OR GRADE WITHIN 1'-0" OF THE STRUCTURE SIDEWALLS. FBC 1816.1.6

- AN EXTERIOR VERTICAL CHEMICAL BARRIER MUST BE INSTALLED AFTER CONSTRUCTION IS COMPLETE INCLUDING LANDSCAPING AND IRRIGATION. ANY SOIL DISTURBED AFTER THE VERTICAL BARRIER IS APPLIED, SHALL BE RETREATED. FBC 1816.1.6
- ALL BUILDINGS ARE REQUIRED TO HAVE PER-CONSTRUCTION TREATMENT. FBC 1816.1.7

- A CERTIFICATE OF COMPLIANCE MUST BE ISSUED TO THE BUILDING DEPARTMENT BY A LICENSED PEST CONTROL COMPANY BEFORE A CERTIFICATE OF OCCUPANCY WILL BE ISSUED. THE CERTIFICATE OF COMPLIANCE SHALL STATE: "THE BUILDING HAS RECEIVED A COMPLETE TREATMENT FOR THE PREVENTION OF SUBTERRANEAN TERMITES. THE TREATMENT IS IN ACCORDANCE WITH THE RULES AND LAWS OF THE FLORIDA DEPARTMENT OF AGRICULTURE AND CONSUMER SERVICES". FBC 1816.1.7

- AFTER ALL WORK IS COMPLETED, LOOSE WOOD AND FILL MUST BE REMOVED FROM BELOW AND WITHIN 1'-0" OF THE BUILDING. THIS INCLUDES ALL GRADE STAKES, TUB TRAP BOXES, FORMS, SHORING OR OTHER CELLULOSE CONTAINING MATERIAL. FBC 2303.1.3

- NO WOOD, VEGETATION, STUMPS, CARDBOARD, TRASH, ETC., SHALL BE BURIED WITHIN 15'-0" OF ANY BUILDING OR PROPOSED BUILDING. FBC 2303.1.4

REVISIONS	DATE	DESCRIPTION
	October 28th, 2020	

CUSTOM HOME FOR:
THOMAS RESIDENCE
COLUMBIA COUNTY, FLORIDA

NICHOLAS PAUL GEISLER ARCHITECT
N.C.A.R.B. Certified
1758 NW Braham Rd.
Lake City, FL 32055

SHEET NUMBER
S.3
OF 4 SHEETS

AR0007005