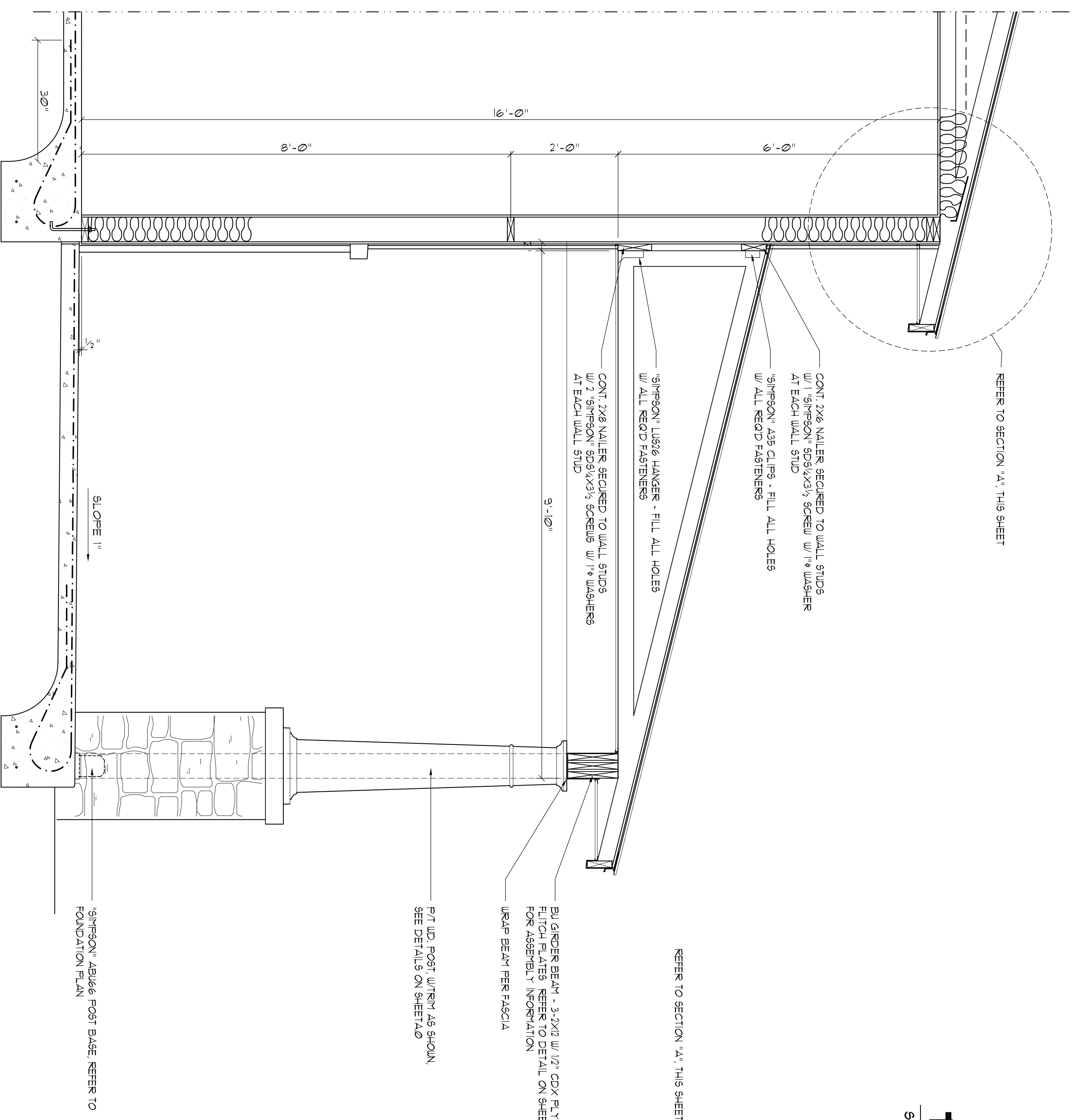
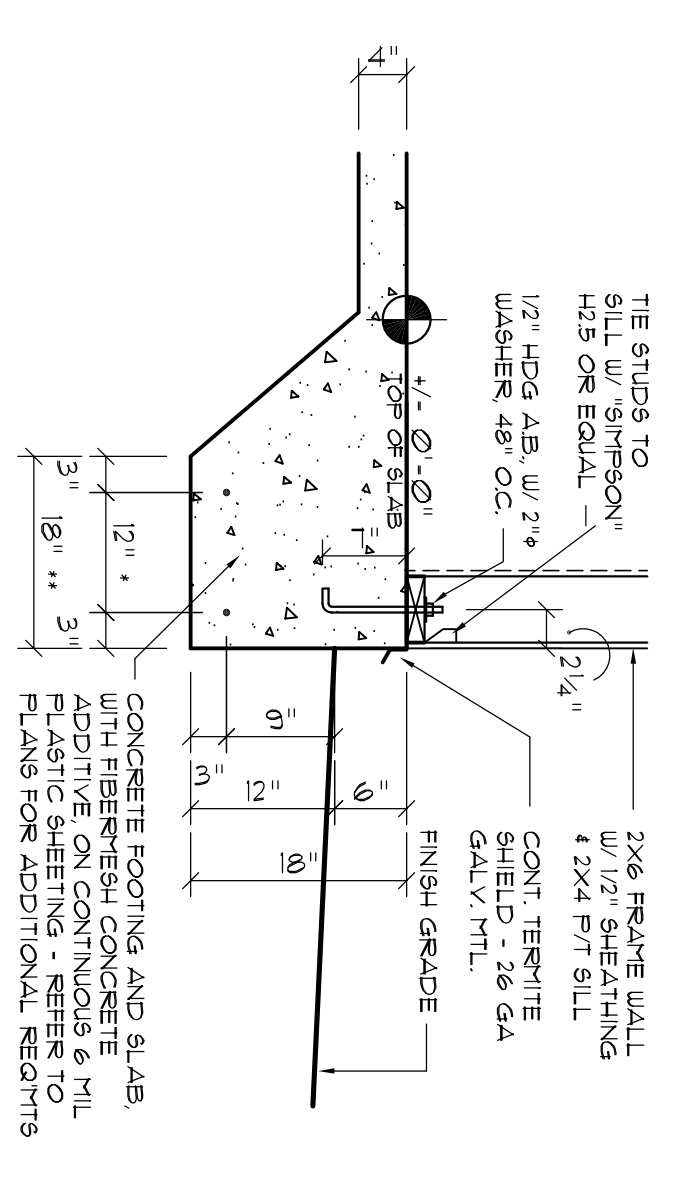


Typ. 16' Wall Section
 SCALE: 3/4" = 1'-0"
A

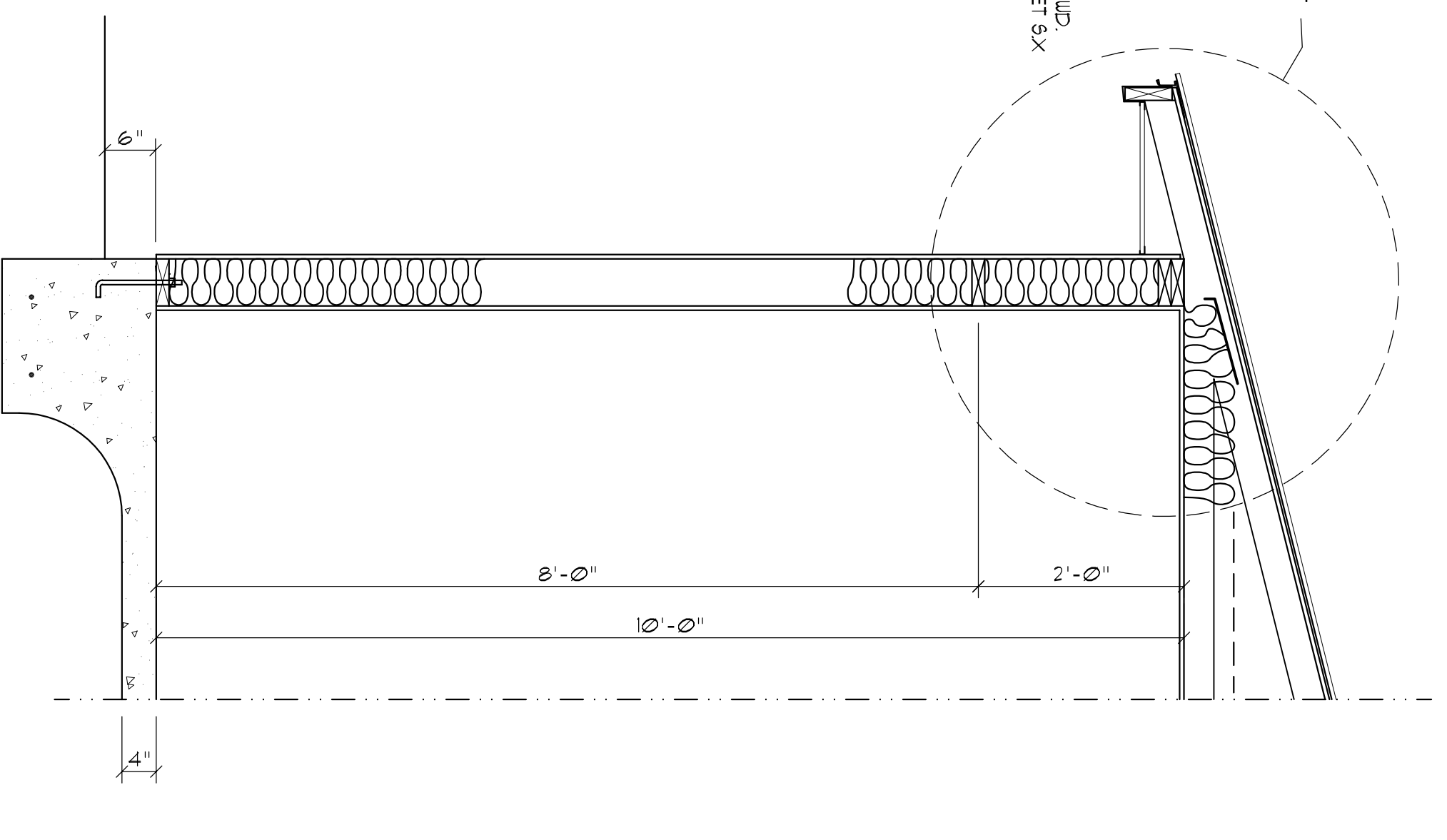
EXTERIOR WALL SHEATHING:
 APPLY VERTICALLY "UNDER TOP" 7/16" OSB 48" X 91", 103" 12" OR 145" SHEATHING FASTEN TO THE TOP PLATE AND THE SILL PLATE WITH EITHER 6d RING SHANK NAILS @ 3' OC. OR 8d R3 NAILS @ 4' OC. FASTEN TO EACH STUD WITH EITHER 6d RING SHANK NAILS @ 8' OC. OR 8d R3 NAILS @ 8' OC.



Typ. Porch Section
 SCALE: 3/4" = 1'-0"
B



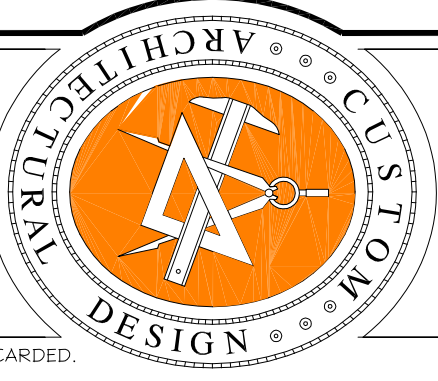
Typ. Mono. Ftg. Det.
 SCALE: 3/4" = 1'-0"
C



Typ. 10' Wall Section
 SCALE: 3/4" = 1'-0"
C

CUSTOM RESIDENCE and AIRCRAFT HANGER for:
DON DOWNS
 CANNON CREEK AIRPARK, COLUMBIA COUNTY, FLORIDA
WALL SECTIONS

Celebrating
 54 Years of Service
1972 - 2026
 N.P. Giesler, Architect
 AR0007005



NICHOLAS PAUL GIESLER ARCHITECT

1728 NW Brown Rd
 Ft. Lauderdale, FL 33305
 305-561-4320

Copyright 2026
 N.P. Giesler, Architect

MPg

DATE OF ISSUE
 02 FEB 2026
 DRAWN
2K2604

REVISIONS:
 17 MAR 2026

SHEET:
A.5
 5 OF 7