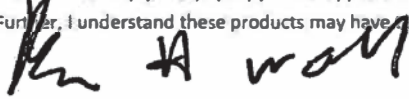


As required by Florida Statute 553.842 and Florida Administrative Code 9B-72, please provide the information and approval numbers on the building components listed below if they will be utilized on the construction project for which you are applying for a building permit. We recommend you contact your local product supplier should you not know the product approval number for any of the applicable listed products. Statewide approved products are listed online @ [www.floridabuilding.org](http://www.floridabuilding.org)

Category/Subcategory	Manufacturer	Product Description	Approval Number(s)
<b>1. EXTERIOR DOORS</b>			
A. SWINGING			
B. SLIDING			
C. SECTIONAL/ROLL UP			
D. OTHER			
<b>2. WINDOWS</b>			
A. SINGLE/DOUBLE HUNG	AMI	Double Hung Window	11720.9
B. HORIZONTAL SLIDER			
C. CASEMENT			
D. FIXED			
E. MULLION			
F. SKYLIGHTS			
G. OTHER			
<b>3. PANEL WALL</b>			
A. SIDING			
B. SOFFITS			
C. STOREFRONTS			
D. GLASS BLOCK			
E. OTHER			
<b>4. ROOFING PRODUCTS</b>			
A. ASPHALT SHINGLES			
B. NON-STRUCTURAL METAL			
C. ROOFING TILES			
D. SINGLE PLY ROOF			
E. OTHER			
<b>5. STRUCTURAL COMPONENTS</b>			
A. WOOD CONNECTORS			
B. WOOD ANCHORS			
C. TRUSS PLATES			
D. INSULATION FORMS			
E. LINTELS			
F. OTHERS			
<b>6. NEW EXTERIOR ENVELOPE PRODUCTS</b>			

The products listed below did not demonstrate product approval at plan review. I understand that at the time of inspection of these products, the following information must be available to the inspector on the jobsite; 1) copy of the product approval, 2) performance characteristics which the product was tested and certified to comply with, 3) copy of the applicable manufacturers installation requirements.

Further, I understand these products may have to be removed if approval cannot be demonstrated during inspection.

  
 Contractor OR Agent Signature \_\_\_\_\_ Date 2/9/2023

NOTES: \_\_\_\_\_

\_\_\_\_\_

\_\_\_\_\_



[DBPR HOME](#) | [ABOUT DBPR](#) | [DBPR DIVISIONS](#) | [CONTACT DBPR](#)

[BCIS Home](#) | [Log In](#) | [User Registration](#) | [Hot Topics](#) | [Submit Surcharge](#) | [Stats & Facts](#) | [Publications](#) | [Contact Us](#) | [BCIS Site Map](#) | [Links](#) | [Search](#)



**Product Approval**  
USER: Public User

[Product Approval Menu](#) > [Product or Application Search](#) > **Application List**

OFFICE OF THE SECRETARY

**Search Criteria**

[Refine Search](#)

Code Version	2020	FL#	11720.9
Application Type	ALL	Product Manufacturer	ALL
Category	ALL	Subcategory	ALL
Application Status	ALL	Compliance Method	ALL
Quality Assurance Entity	ALL	Quality Assurance Entity Contract Expired	ALL
Product Model, Number or Name	ALL	Product Description	ALL
Approved for use in HVHZ	ALL	Approved for use outside HVHZ	ALL
Impact Resistant	ALL	Design Pressure	ALL
Other	ALL		

**Search Results - Applications**

<a href="#">FL#</a>	<a href="#">Type</a>	<a href="#">Manufacturer</a>	<a href="#">Validated By</a>	<a href="#">Status</a>
<a href="#">FL11720-R19</a> <a href="#">History</a>	Revision	Associated Materials Inc. <b>FL#:</b> FL11720.9 <b>Model:</b> i. Model 3001 / 3B01 / 3A01 / 3AB1 "ST" <b>Description:</b> Extruded Vinyl Double Hung "Replacement" Window - "Non-Impact" <b>Category:</b> Windows <b>Subcategory:</b> Double Hung	Ryan J. King, P.E. (813) 767-6555	Approved

\*Approved by DBPR. Approvals by DBPR shall be reviewed and ratified by the POC and/or the Commission if necessary.

[Contact Us](#) :: 2601 Blair Stone Road, Tallahassee FL 32399 Phone: 850-487-1824

The State of Florida is an AA/EEO employer. [Copyright 2007-2013 State of Florida](#). :: [Privacy Statement](#) :: [Accessibility Statement](#) :: [Refund Statement](#)

Under Florida law, email addresses are public records. If you do not want your e-mail address released in response to a public-records request, do not send electronic mail to this entity. Instead, contact the office by phone or by traditional mail. If you have any questions, please contact 850.487.1395. \*Pursuant to Section 455.275(1), Florida Statutes, effective October 1, 2012, licensees licensed under Chapter 455, F.S. must provide the Department with an email address if they have one. The emails provided may be used for official communication with the licensee. However email addresses are public record. If you do not wish to supply a personal address, please provide the Department with an email address which can be made available to the public. To determine if you are a licensee under Chapter 455, F.S., please click [here](#).





[DBPR HOME](#) | 
 [ABOUT DBPR](#) | 
 [DBPR DIVISIONS](#) | 
 [CONTACT DBPR](#)

[BCIS Home](#) | 
 [Log In](#) | 
 [User Registration](#) | 
 [Hot Topics](#) | 
 [Submit Surcharge](#) | 
 [Stats & Facts](#) | 
 [Publications](#) | 
 [Contact Us](#) | 
 [BCIS Site Map](#) | 
 [Links](#) | 
 [Search](#)



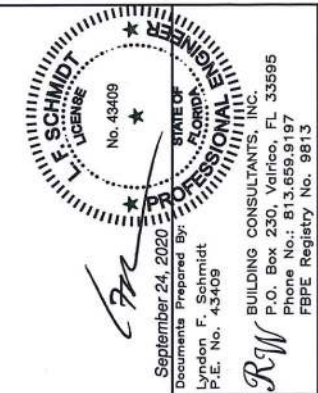
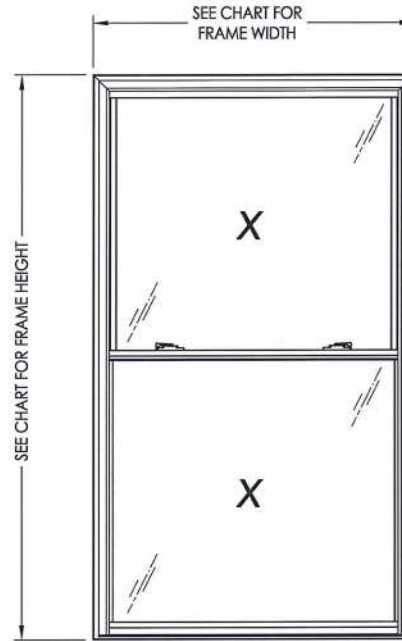
**Product Approval**  
USER: Public User

[Product Approval Menu](#) > 
 [Product or Application Search](#) > 
 [Application List](#) > 
 **Application Detail**

▶ OFFICE OF THE SECRETARY

FL #	FL11720-R19										
Application Type	Revision										
Code Version	2020										
Application Status	Approved										
Comments											
Archived	<input type="checkbox"/>										
Product Manufacturer	Associated Materials Inc.										
Address/Phone/Email	3773 State Road Cuyahoga Falls, OH 44223 (330) 922-2108 rickw@rwbldgconsultants.com										
Authorized Signature	Vivian Wright rickw@rwbldgconsultants.com										
Technical Representative											
Address/Phone/Email											
Quality Assurance Representative											
Address/Phone/Email											
Category	Windows										
Subcategory	Double Hung										
Compliance Method	Evaluation Report from a Florida Registered Architect or a Licensed Florida Professional Engineer <input type="checkbox"/> Evaluation Report - Hardcopy Received										
Florida Engineer or Architect Name who developed the Evaluation Report	Lyndon F. Schmidt, P.E.										
Florida License	PE-43409										
Quality Assurance Entity	Architectural Testing, Inc., an Intertek Company										
Quality Assurance Contract Expiration Date	12/31/2023										
Validated By	Ryan J. King, P.E. <input checked="" type="checkbox"/> Validation Checklist - Hardcopy Received										
Certificate of Independence	<a href="#">FL11720 R19 COI (d) Certificate of Independence.pdf</a>										
Referenced Standard and Year (of Standard)	<table border="0"> <thead> <tr> <th><b>Standard</b></th> <th><b>Year</b></th> </tr> </thead> <tbody> <tr> <td>ANSI/AAMA/NWWDA 101/I.S.2/A440</td> <td>2008</td> </tr> <tr> <td>ANSI/AAMA/NWWDA 101/I.S.2/A440</td> <td>2011</td> </tr> <tr> <td>ASTM E1886</td> <td>2013</td> </tr> <tr> <td>ASTM E1996</td> <td>2017</td> </tr> </tbody> </table>	<b>Standard</b>	<b>Year</b>	ANSI/AAMA/NWWDA 101/I.S.2/A440	2008	ANSI/AAMA/NWWDA 101/I.S.2/A440	2011	ASTM E1886	2013	ASTM E1996	2017
<b>Standard</b>	<b>Year</b>										
ANSI/AAMA/NWWDA 101/I.S.2/A440	2008										
ANSI/AAMA/NWWDA 101/I.S.2/A440	2011										
ASTM E1886	2013										
ASTM E1996	2017										
Equivalence of Product Standards Certified By											
Sections from the Code											

**MODEL 3001/3B01/3A01/3AB1 "ST"  
EXTRUDED VINYL  
DOUBLE HUNG "Replacement" WINDOW  
"NON-IMPACT"**



September 24, 2020  
Documents Prepared By:  
Lyndon F. Schmitt  
P.E. No. 43409  
R.W. BUILDING CONSULTANTS, INC.  
P.O. Box 230, Vairico, FL 33595  
Phone No.: 813.659.9197  
FBPE Registry No. 9813

**GENERAL NOTES**

1. This product has been evaluated and is in compliance with the 7th Edition (2020) Florida Building Code (FBC) structural requirements excluding the "High Velocity Hurricane Zone" (HVHZ).
2. Product anchors shall be as listed and spaced as shown on details. Anchor embedment to base material shall be beyond wall dressing or stucco.
3. When used in areas requiring wind borne debris protection this product is required to be protected with an impact resistant covering that complies with FBC Sections 1609.1.2 & R301.2.1.2.
4. For 2x stud framing construction, anchoring of these units shall be the same as that shown for 2x buck masonry construction.
5. Site conditions that deviate from the details of this drawing require further engineering analysis by a licensed engineer or registered architect.

TABLE OF CONTENTS	
SHEET#	DESCRIPTION
1	Typical elevations, design pressures & general notes
2	Horizontal cross sections
3	Vertical cross sections
4	Buck and frame anchoring
5	Bill of materials, components and glazing detail

OVERALL FRAME DIMENSION	MAX. D.L.O. (TOP)	MAX. D.L.O. (BOTTOM)	No. LOCKS	GLASS TYPE	DESIGN PRESSURE (PSF)	
					POSITIVE	NEGATIVE
36.0" X 60.0"	29.12" X 25.63"	30.12" X 26.75"	2	G1	+50.0	-60.0
36.0" X 72.0"	29.12" X 31.63"	30.12" X 32.75"	2	G1	+45.0	-45.0
36.0" x 78.0"	29.12" X 34.63"	30.12" X 35.75"	2	G1	+40.0	-40.0
44.0" x 72.0"	37.12" X 31.63"	38.12" X 32.75"	2	G1	+40.0	-40.0
48.0" x 72.0"	41.12" X 31.63"	42.12" X 32.75"	2	G1	+35.0	-35.0
44.0" x 75.0"	37.12" X 33.13"	38.12" X 34.25"	1	G1	+25.0	-25.0
44.0" x 75.0"	37.12" X 33.13"	38.12" X 34.25"	2	G1	+30.0	-30.0
52.0" x 62.0"	45.12" X 26.63"	46.12" X 27.75"	2	G1	+30.0	-30.0
48.0" x 84.0"	41.12" X 37.63"	42.12" X 38.75"	2	G1	+25.0	-25.0
44.0" x 96.0"	37.12" X 43.63"	38.12" X 44.75"	2	G1	+25.0	-25.0
52.0" x 96.0"	45.12" X 43.63"	46.12" X 44.75"	2	G1	+15.0	-15.0

PRODUCT: DOUBLE HUNG WINDOW  
PART OR ASSEMBLY: TYPICAL ELEVATION, DESIGN PRESSURES & GENERAL NOTES

NO.	DATE	BY	REVISIONS
8	11/13/19		REVISED DRAWING (NEW TESTING) LFS
7	8/18/20		UPDATE TO 7TH ED. (2020) FBC DAC
6	8/09/17		UPDATE TO 6TH ED. (2017) FBC LFS
5	7/18/16		UPDATE B.O.M. & ADD COMP.'S JK

DATE: 11/12/13  
SCALE: N.T.S.  
DWG. BY: JK  
CHK. BY: LFS  
DRAWING NO.: FL-11720.9  
SHEET 1 OF 5

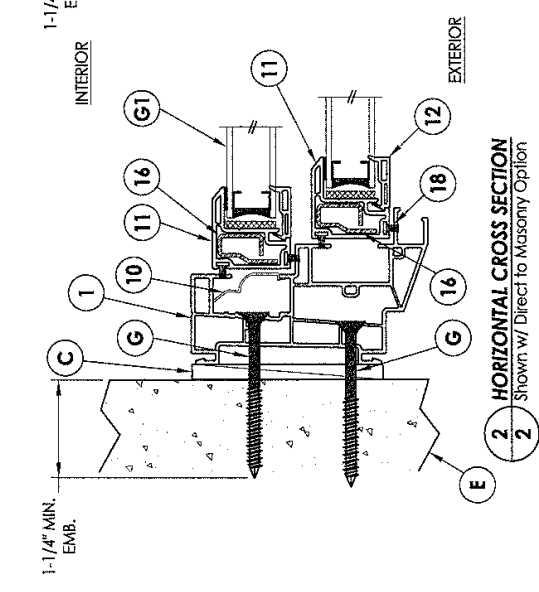
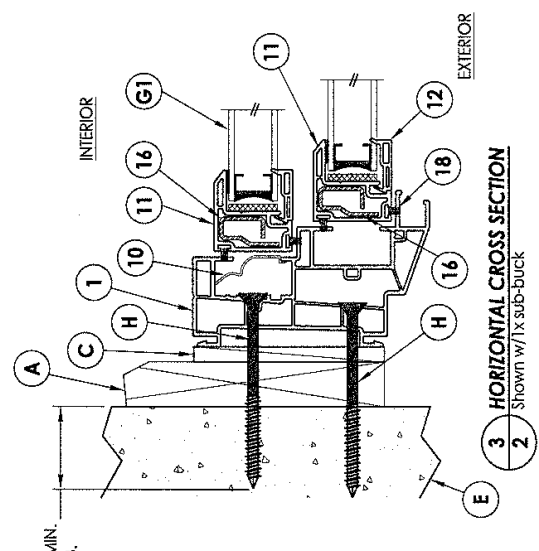
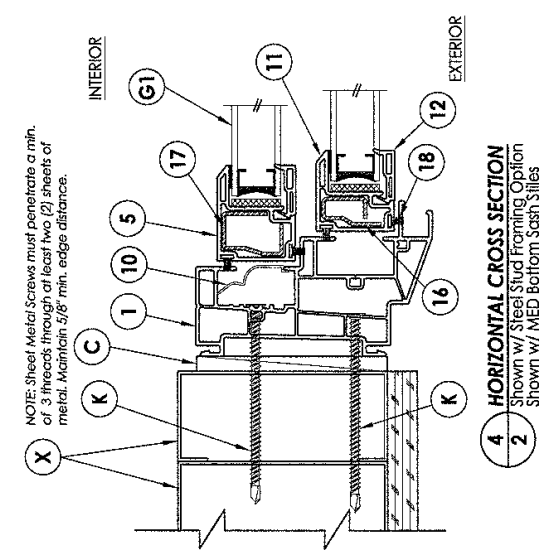
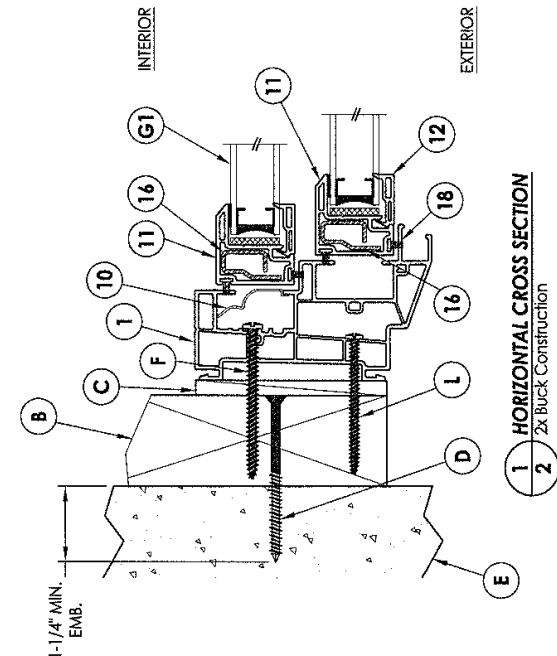
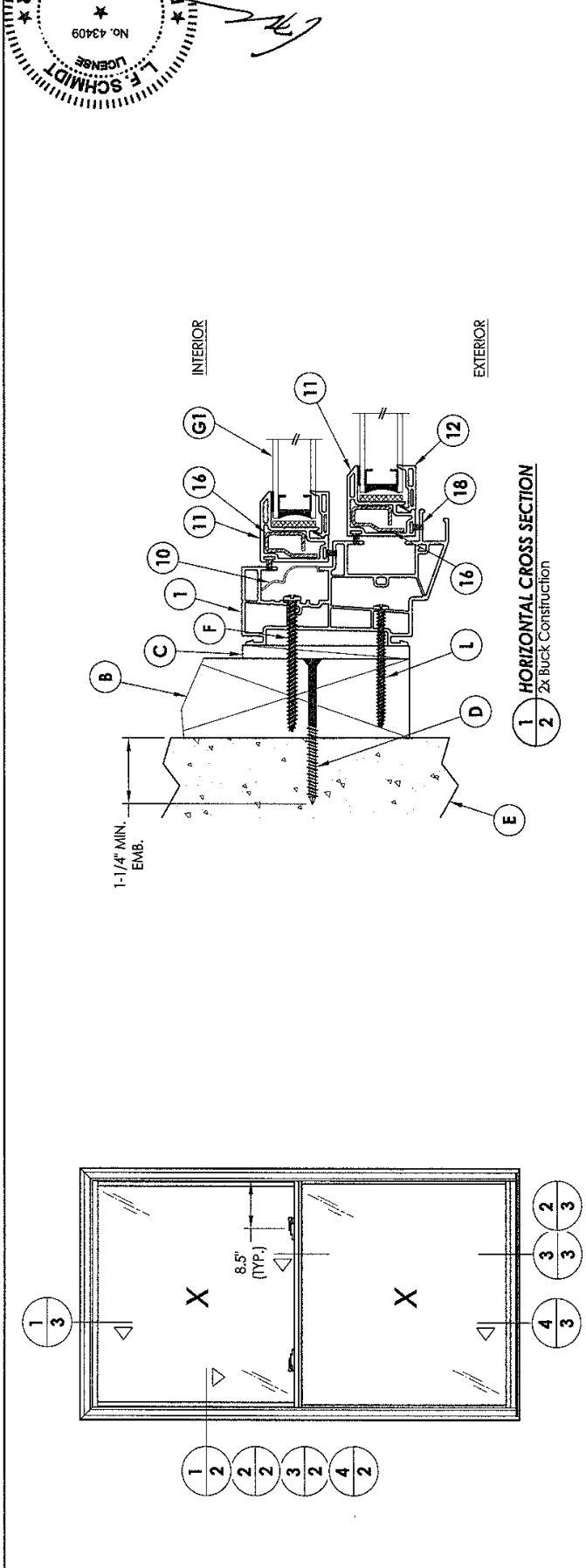
September 24, 2020  
 Documents Prepared By:  
 Lyndon F. Schmidt  
 P.E. No. 43409  
**L. SCHMIDT**  
 LICENSE  
 No. 43409  
 STATE OF  
 FLORIDA  
 PROFESSIONAL ENGINEER

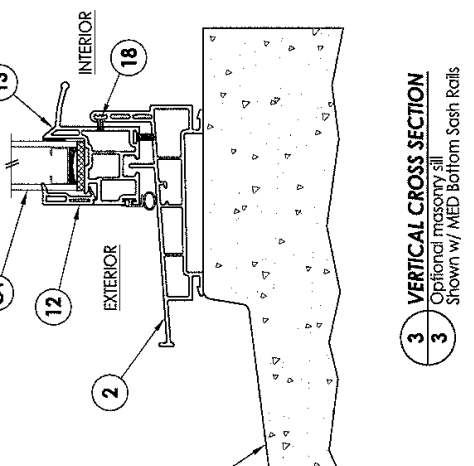
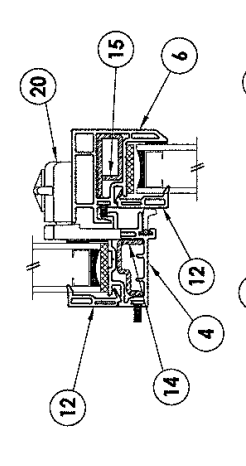
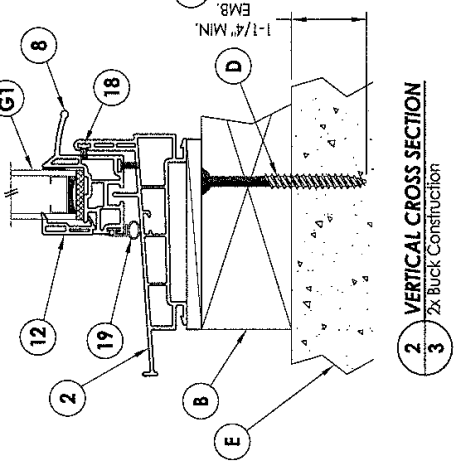
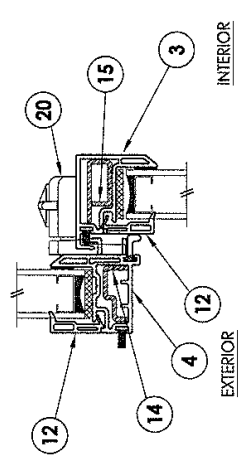
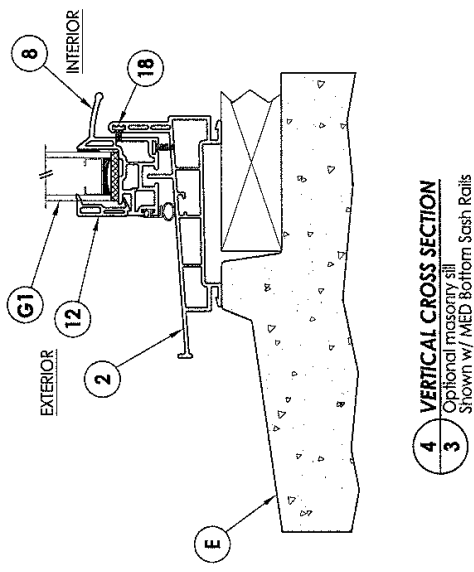
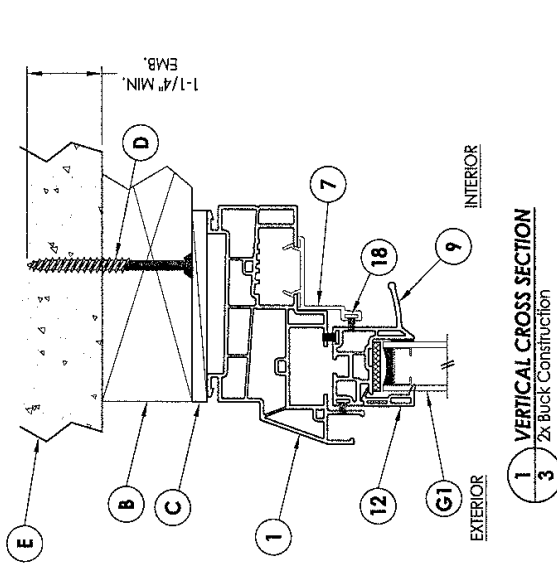
BUILDING CONSULTANTS, INC.  
 P.O. Box 230, Valrico, FL 33595  
 Phone No.: 813.659.9177  
 FBPE Registry No. 9813

PRODUCT:	DOUBLE HUNG WINDOW
PART OR ASSEMBLY:	HORIZONTAL CROSS SECTIONS

NO.	DATE	REVISIONS
8	8/18/20	UPDATE TO 7TH ED. (2020) FBC
7	11/13/19	REVISED DRAWING (NEW TESTING) LFS
6	8/09/17	UPDATE TO 6TH ED. (2017) FBC
5	7/18/16	UPDATE B.O.M. & ADD COMP. S
4		
3		
2		
1		

DATE: 11/12/13  
 SCALE: N.T.S.  
 DWG. BY: JK  
 CHK. BY: LFS  
 DRAWING NO.: FL-11720.9  
 SHEET 2 OF 5





NO.	DATE	REVISIONS
8	8/18/20	UPDATE TO 7TH ED. (2020) FBC
7	11/13/19	REVISED DRAWING (NEW TESTING) FFS
6	8/09/17	UPDATE TO 6TH ED. (2017) FBC
5	7/18/16	UPDATE B.O.M. & ADD COMP. S.

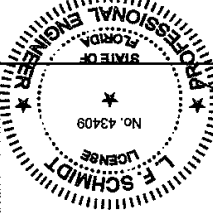
BY: JK  
 PART OR ASSEMBLY: VERTICAL CROSS SECTIONS

DATE: 11/12/13  
 SCALE: N.T.S.  
 DWG. BY: JK  
 CHK. BY: LFS  
 DRAWING NO.: FL-11720.9  
 SHEET 3 OF 5

September 24, 2020  
 Documents Prepared By: Lyndon F. Schmidt  
 P.E. No. 43409

**L.F. SCHMIDT**  
 LICENSE  
 No. 43409  
 STATE OF FLORIDA  
 PROFESSIONAL ENGINEER

*Rfm*  
 BUILDING CONSULTANTS, INC.  
 P.O. Box 230, Valrico, FL 33595  
 Phone No.: 813.659.9197  
 FBPE Registry No. 9813


  
 L.F. SCHMIDT  
 No. 43409  
 STATE OF FLORIDA  
 PROFESSIONAL ENGINEER

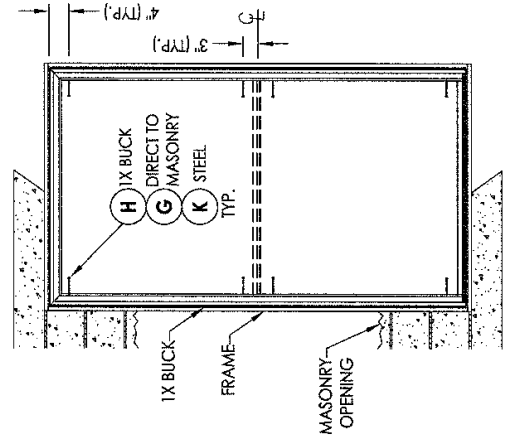
Documents Prepared By:  
 Lyndon F. Schmidt  
 P.E. No. 43409  
 R.W. BUILDING CONSULTANTS, INC.  
 P.O. Box 230, Valrico, FL 33595  
 Phone No.: 813.659.9197  
 FBPE Registry No. 9813

PRODUCT: DOUBLE HUNG WINDOW

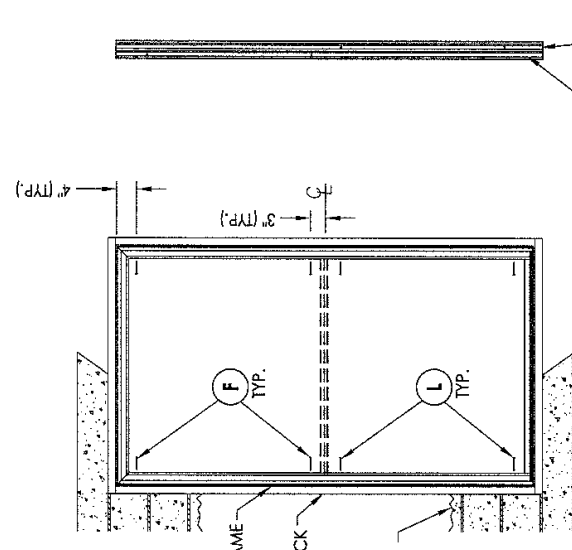
BY	BUCK & FRAME ANCHORING
JFK	PART OR ASSEMBLY:
LFS	UPDATE TO 6TH ED. (2017) FBC
LFS	REVISED DRAWING (NEW TESTING) FBC
LFS	UPDATE TO 7TH ED. (2020) FBC

NO.	DATE	REVISIONS
1	7/18/16	UPDATE B.O.M. & ADD COMP'S
2	8/09/17	UPDATE TO 6TH ED. (2017) FBC
3	11/13/19	REVISED DRAWING (NEW TESTING) FBC
4	8/18/20	UPDATE TO 7TH ED. (2020) FBC

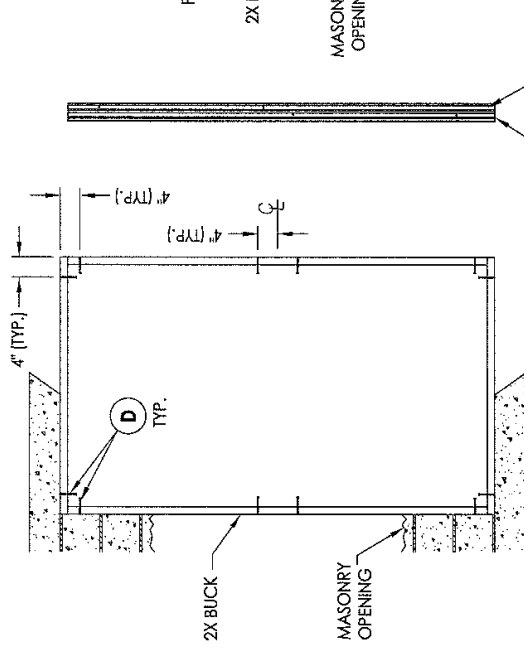
SCALE: N.T.S.  
 DATE: 11/12/13  
 DWG. BY: JK  
 CHK. BY: LFS  
 DRAWING NO.: FL-11720.9  
 SHEET 4 OF 5



**FRAME ANCHORING**  
[1X Buck, Direct to Masonry, Steel Stud]



**FRAME ANCHORING**  
(2X Buck)



**BUCK ANCHORING**

INTERIOR TRACK  
EXTERIOR TRACK

INTERIOR TRACK  
EXTERIOR TRACK

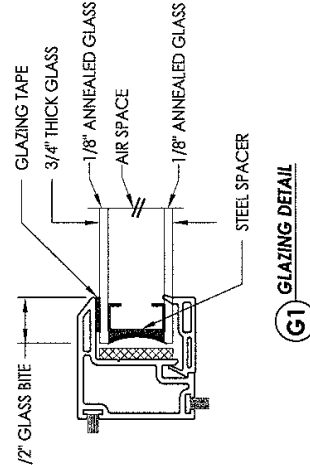
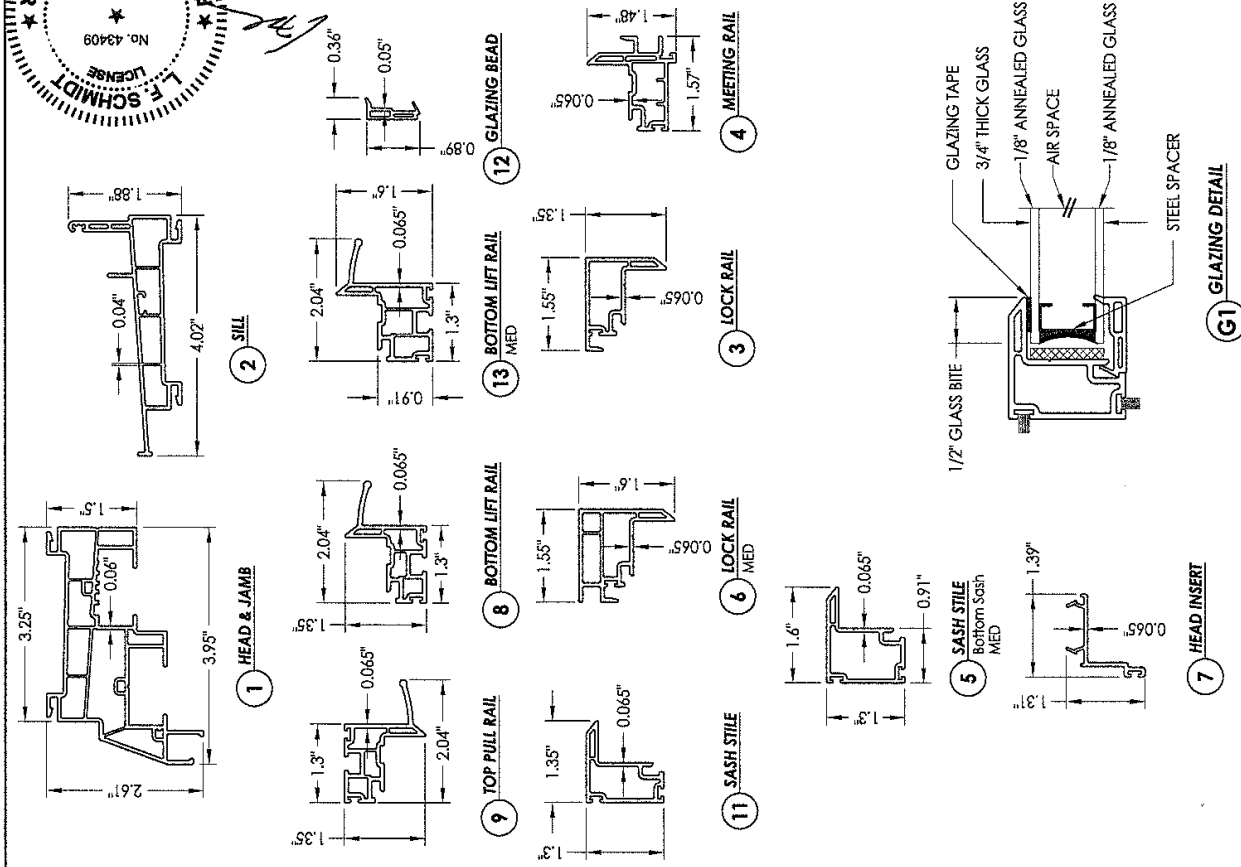
- CONCRETE ANCHOR NOTES:**
- Concrete anchor locations at the corners may be adjusted to maintain the min. edge distance to mortar joints.
  - Concrete anchor locations noted as "MAX. ON CENTER" must be adjusted to maintain the min. edge distance to mortar joints, additional concrete anchors may be required to ensure the "MAX. ON CENTER" dimension are not exceeded.
  - Concrete anchor table:

ANCHOR TYPE	ANCHOR SIZE	MIN. EMBEDMENT	MIN. CLEARANCE TO MASONRY EDGE	MIN. CLEARANCE TO ADJACENT ANCHOR
ITW TAPCON®	1/4"	1-1/4"	2"	4"
DeWALT ULTRACON®	1/4"	1-1/4"	1"	4"

- WOOD SCREW INSTALLATION NOTES:**
- Maintain a minimum 5/8" edge distance, 1" end distance, & 1" o.c. spacing of wood screws to prevent the splitting of wood.

BILL OF MATERIALS	
ITEM #	DESCRIPTION
A	1X BUCK [SG >= 0.42]
B	2X BUCK [SG >= 0.42]
C	1/4" MAX. SHIM SPACE
D	1/4" X 2-3/4" PFH DEWALT OR ITW CONCRETE SCREW
E	MASONRY - 3,000 PSI MIN. CONCRETE CONFORMING TO ACI 301 OR HOLLOW BLOCK CONFORMING TO ASTM C90
F	#10 X 2-1/2" PPH WOOD SCREW (1-3/8" MIN. EMBEDMENT)
G	1/4" X 2-3/4" PFH DEWALT OR ITW CONCRETE SCREW
H	1/4" X 3-1/4" PFH DEWALT OR ITW CONCRETE SCREW
K	#10 PFH SELF-DRILLING SMS
L	#10 X 2-1/4" PPH WOOD SCREW (1-5/16" MIN. EMBEDMENT)
X	STEEL STUD Min. Thk .033" (ASTM A653 GRADE 33 Fy=33 Ksi Min. Fu=45 Ksi Min)
1	EXTRUDED VINYL HEAD AND JAMB *
2	EXTRUDED VINYL SILL *
3	EXTRUDED VINYL LOCK RAIL *
4	EXTRUDED VINYL MEETING RAIL *
5	EXTRUDED VINYL SASH STILE (MED) *
6	EXTRUDED VINYL LOCK RAIL (MED) *
7	EXTRUDED VINYL HEAD INSERT *
8	EXTRUDED VINYL BOTTOM LIFT RAIL *
9	EXTRUDED VINYL TOP PULL RAIL *
10	BALANCE COVER
11	EXTRUDED VINYL SASH STILE *
12	GLAZING BEAD *
13	EXTRUDED VINYL BOTTOM LIFT RAIL (MED) *
14	REINFORCEMENT - MEETING RAIL
15	REINFORCEMENT - LOCK RAIL
16	REINFORCEMENT - SM STILE
17	REINFORCEMENT - MED. STILE
18	WEATHERSTRIP (FN PILE)
19	WEATHERSTRIP (VINYL BULB)
20	CAM LOCK

\* THE APPROVED WHITE RIGID PVC EXTERIOR EXTRUSIONS FOR WINDOWS ARE TO BE PRODUCED BY EXTRUDERS LICENSEES IN "AAMA CERTIFICATION PROGRAMS FOR RIGID PVC EXTRUSIONS".



September 24, 2020  
Documents Prepared By: F. E. No. 43409  
L. F. SCHMIDT  
PROFESSIONAL ENGINEER  
No. 43409  
FL LICENSE

PRODUCT: DOUBLE HUNG WINDOW  
PART OR ASSEMBLY: LFS  
BILL OF MATERIALS, COMPONENTS AND GLAZING DETAIL  
BY: JK

NO.	DATE	REVISIONS
1	8/18/20	UPDATE TO 7TH ED. (2020) FBC
2	11/13/19	REVISED DRAWING (NEW TESTING) LFS
3	8/09/17	UPDATE TO 6TH ED. (2017) FBC LFS
4	7/18/16	UPDATE B.O.M. & ADD COMP.S. JK
5	7/18/16	UPDATE B.O.M. & ADD COMP.S. JK

DATE: 11/12/13  
SCALE: N.T.S.  
DWG BY: JK  
CHK BY: LFS  
DRAWING NO.: FL-11720.9  
SHEET 5 of 5