

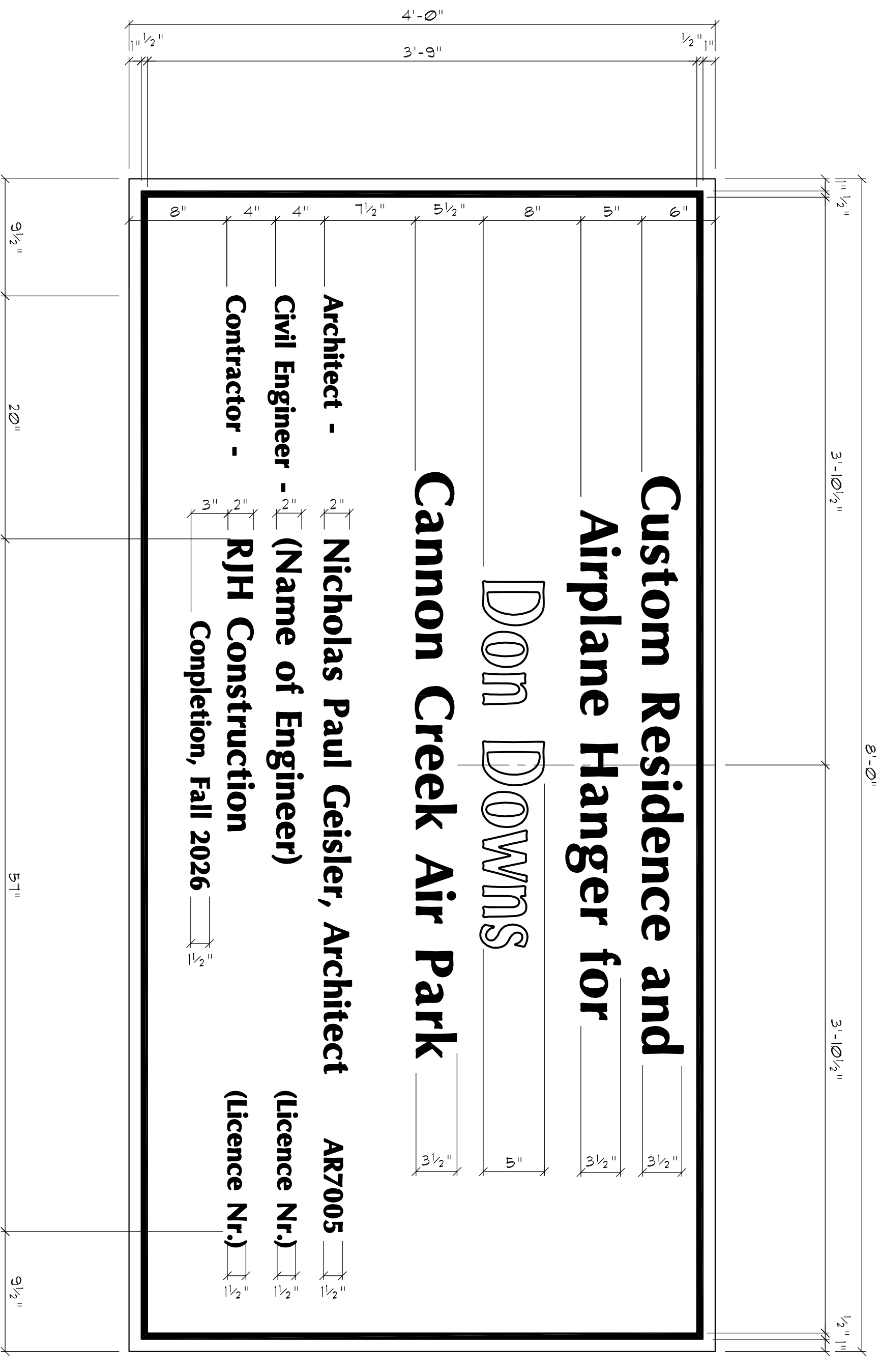
R/R Vanity Cab.
SCALE 3/4" = 1'-0"

MANUF.	ITEM	MODEL N.	CONTENTS
BRADLEY	PAPER TOWEL DISP.	2494	SURFACE MOUNTED, 48" AFF. BATTERY OPERATION
BOBERICK	GRIP RAILING	B-5806-99-36	FENED GRIP SURFACES
BOBERICK	TOILET TISSUE DISPENSER	B-2892	JUMBO DUAL ROLL - 30" AFF. TO TOP
BOBERICK	SOAP DISPENSER	B-2111	50 7/8" AFF. TO TOP
-	MIRROR	-	WALL ABV. VANITY TO RECEIVE FULL MIRROR

BOBERICK WASHROOM ACCESSORIES NOTE IIII MANUFACTURERS LISTED ARE FOR BASIS OF COMPARISON FOR "AS EQUAL" PRODUCTS. OTHER MANUFACTURER'S PRODUCTS MAY BE SUBSTITUTED WITH ARCHITECT'S APPROVAL FOR PRODUCTS MEETING OR EXCEEDING THE SPECIFICATIONS FOR THOSE LISTED IN THE SCHEDULE ABOVE.
512 8111 1444
www.boberick.com

SUGGESTED MOUNTING OF RESTROOM FIXTURES

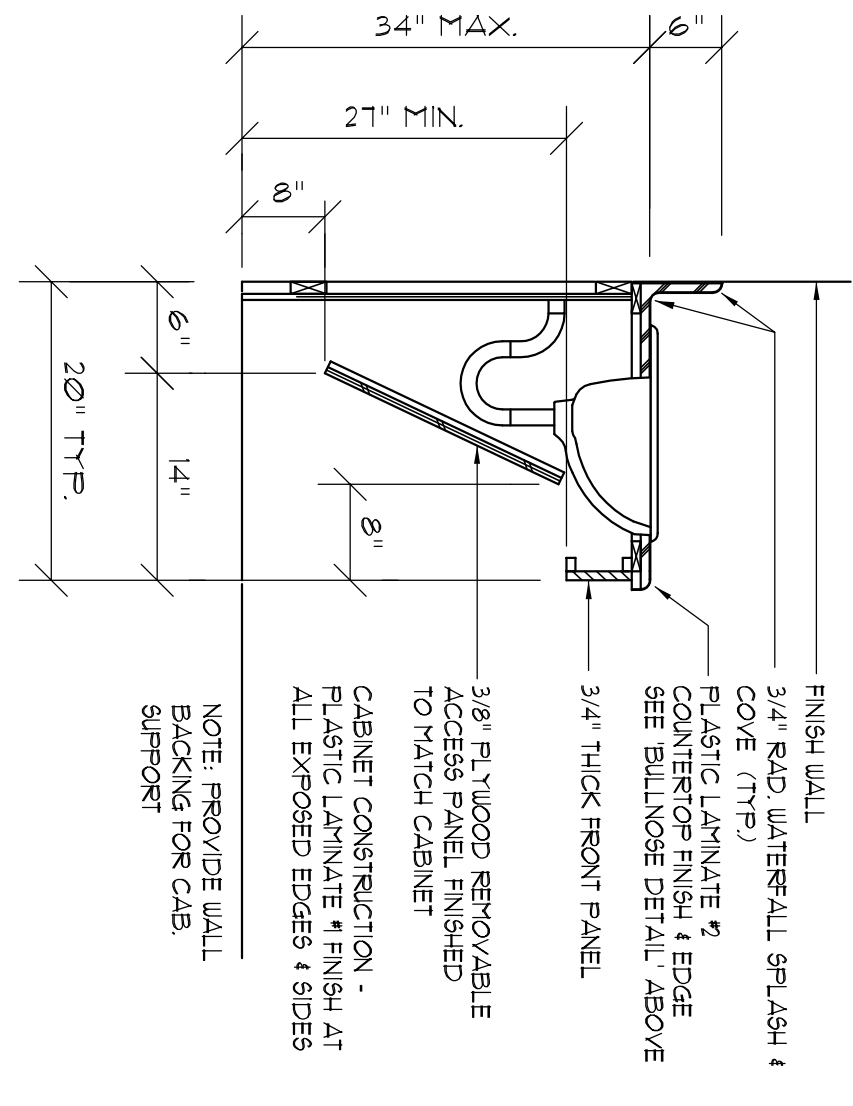
SCALE: 1/2" = 1'-0"



Architect - **Nicholas Paul Geisler, Architect** AR7005
Civil Engineer - **(Name of Engineer)** (licence Nr.)
Contractor - **RJH Construction** (licence Nr.)
Completion, Fall 2026

**Custom Residence and
Airplane Hanger for
DON DOWNS
Cannon Creek Air Park**

Construction Sign Details
SCALE: 1/4" = 1'-0"



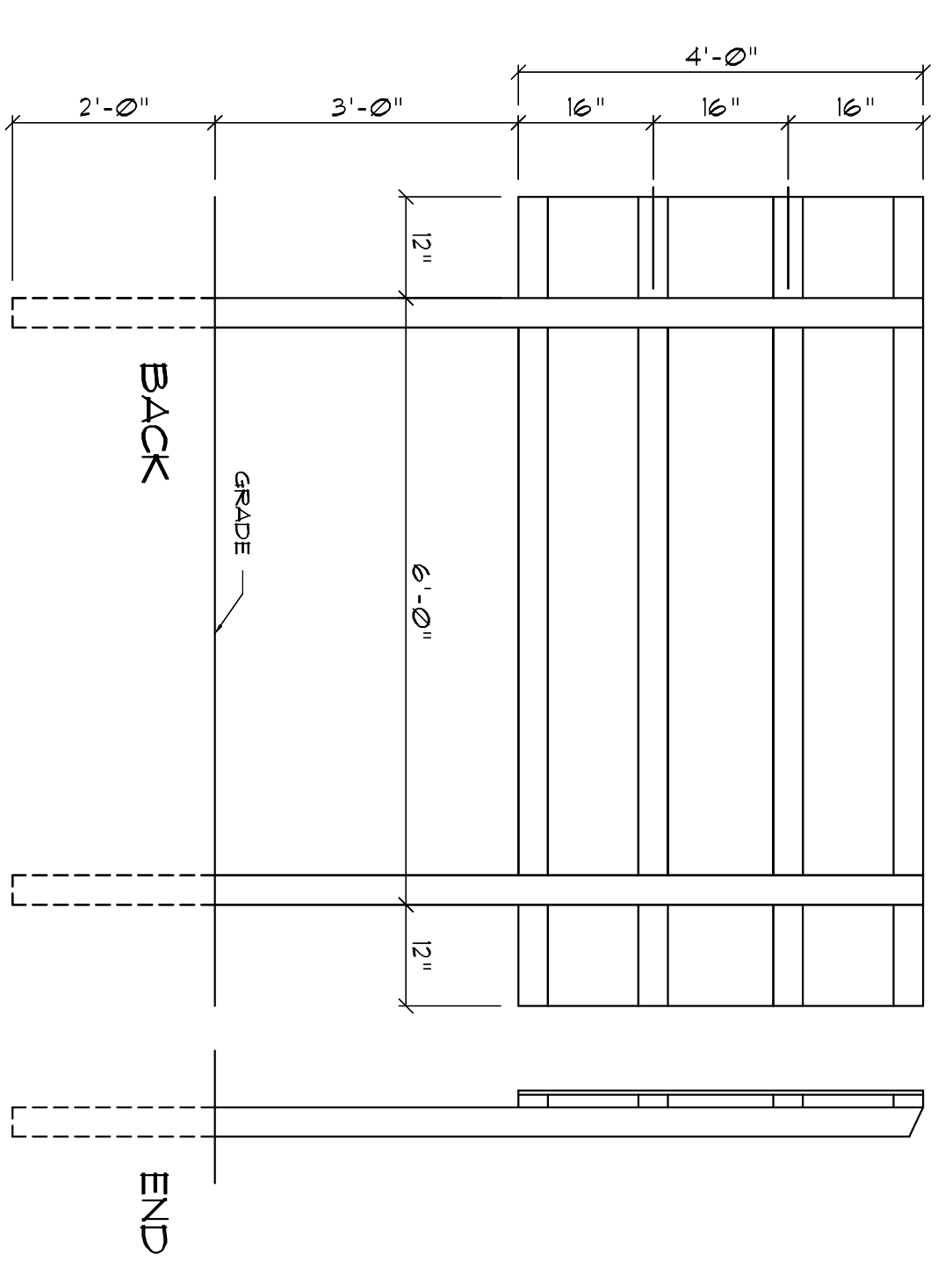
R/R Vanity Cab.
SCALE 3/4" = 1'-0"

MANUF.	ITEM	MODEL N.	CONTENTS
BRADLEY	PAPER TOWEL DISP.	2494	SURFACE MOUNTED, 48" AFF. BATTERY OPERATION
BOBERICK	GRIP RAILING	B-5806-99-36	FENED GRIP SURFACES
BOBERICK	TOILET TISSUE DISPENSER	B-2892	JUMBO DUAL ROLL - 30" AFF. TO TOP
BOBERICK	SOAP DISPENSER	B-2111	50 7/8" AFF. TO TOP
-	MIRROR	-	WALL ABV. VANITY TO RECEIVE FULL MIRROR

BOBERICK WASHROOM ACCESSORIES NOTE IIII MANUFACTURERS LISTED ARE FOR BASIS OF COMPARISON FOR "AS EQUAL" PRODUCTS. OTHER MANUFACTURER'S PRODUCTS MAY BE SUBSTITUTED WITH ARCHITECT'S APPROVAL FOR PRODUCTS MEETING OR EXCEEDING THE SPECIFICATIONS FOR THOSE LISTED IN THE SCHEDULE ABOVE.
512 8111 1444
www.boberick.com

SIGNAGE NOTES

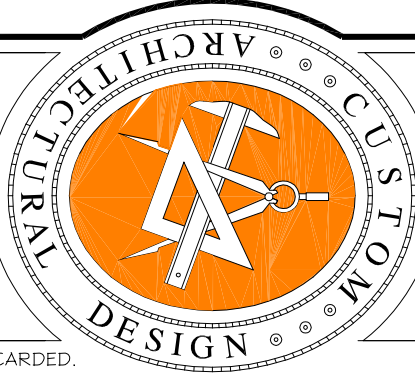
- BACKING SHALL BE 48" X 96" X 1/2" ACRYLIC UNCOATED FINISHED AND PAINTED TO MATCH EXTERIOR FINISH.
- SUPPORTS SHALL BE 4" x 4" PT 2X4 AT 8" O.C. AS SHOWN.
- POSTS SHALL BE 1/2" DIA. DIRECT BURNED WITH THE TOP FACE CUT AT A 30° ANGLE AS SHOWN.
- ASSEMBLY SHALL BE WITH 8" DIA. X 6" CARBIDE BOLTS WITH WASHERS AND NUTS - 4 EACH POST.
- THE BORDER SHALL BE A 1/2" WIDE BLACK STRIPE SET 1" IN FROM THE BACK EDGE ALL AROUND.
- TEXT SHALL BE BLACK FOR ALL LETTERS EXCEPT THE "D" LINE WHICH SHALL BE LIGHT BLUE WITH 1/8" BLACK PINKS.
- TEXT SPACING AND HEIGHT SHALL BE AS THE DETAIL.
- FONT STYLE SHALL BE OPTIMA BOLD.



AS-BUILT FIELD NOTES:

**CUSTOM RESIDENCE and AIRCRAFT HANGER for:
DON DOWNS**
CANNON CREEK AIRPARK, COLUMBIA COUNTY, FLORIDA
GENERAL INFORMATION

Celebrating
54 Years of Service
1972 - 2026
N.P. Geisler, Architect
ARCHITECT



N3
NICHOLAS PAUL GEISLER ARCHITECT

Drawn: **PPG**
Date of Issue: **02 FEB 2026**
Scale: **2K2604**
Revisions: **11 MAR 2026**

SHEET: **G.1** OF **1**

AR0007005