



Lumber design values are in accordance with ANSI/TPI 1 section 6.3
These truss designs rely on lumber values established by others.

RE: 5307575 -

MiTek, Inc.
16023 Swingley Ridge Rd.
Chesterfield, MO 63017
314.434.1200

Site Information:

Customer Info: RJH CONSTRUCTION Project Name: Don Downs Model: Hanger
Lot/Block: TBD Subdivision: Cannon Creek Airpark
Address: TBD, TBD
City: Lake City, State: FL

Name Address and License # of Structural Engineer of Record, If there is one, for the building.

Name: License #:
Address:
City: State:

General Truss Engineering Criteria & Design Loads (Individual Truss Design Drawings Show Special Loading Conditions):

Design Code: FBC2023/TPI2014 Design Program: MiTek 20/20 8.8
Wind Code: ASCE 7-22 Wind Speed: 130 mph
Roof Load: 40.0 psf Floor Load: N/A psf

This package includes 12 individual, Truss Design Drawings and 0 Additional Drawings.
With my seal affixed to this sheet, I hereby certify that I am the Truss Design Engineer and this index sheet conforms to 61G15-31.003, section 5 of the Florida Board of Professional Engineers Rules.

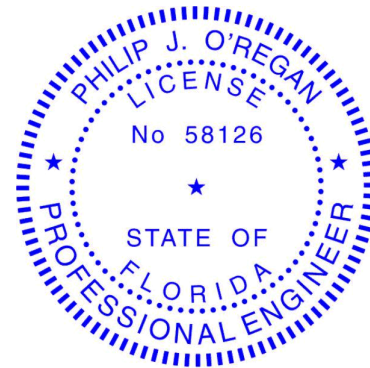
No.	Seal#	Truss Name	Date
1	T40400373	T01	3/10/26
2	T40400374	T01G	3/10/26
3	T40400375	T02	3/10/26
4	T40400376	T02G	3/10/26
5	T40400377	T03	3/10/26
6	T40400378	T03G	3/10/26
7	T40400379	T04	3/10/26
8	T40400380	T04G	3/10/26
9	T40400381	T05	3/10/26
10	T40400382	T05G	3/10/26
11	T40400383	T06	3/10/26
12	T40400384	T06G	3/10/26



This item has been digitally signed and sealed by ORegan, Philip, PE on the date adjacent to the seal.
Printed copies of this document are not considered signed and sealed and the signature must be verified on any electronic copies

The truss drawing(s) referenced above have been prepared by
MiTek USA, Inc. under my direct supervision based on the parameters
provided by Builders FirstSource-Lake City, FL.

Truss Design Engineer's Name: ORegan, Philip
My license renewal date for the state of Florida is February 28, 2027.



Philip J. O'Regan PE No.58126
MiTek Inc. DBA MiTek USA FL Cert 6634
16023 Swingley Ridge Rd. Chesterfield, MO 63017
Date:

IMPORTANT NOTE: The seal on these truss component designs is a certification that the engineer named is licensed in the jurisdiction(s) identified and that the designs comply with ANSI/TPI 1. These designs are based upon parameters shown (e.g., loads, supports, dimensions, shapes and design codes), which were given to MiTek or TRENCO. Any project specific information included is for MiTek's or TRENCO's customers file reference purpose only, and was not taken into account in the preparation of these designs. MiTek or TRENCO has not independently verified the applicability of the design parameters or the designs for any particular building. Before use, the building designer should verify applicability of design parameters and properly incorporate these designs into the overall building design per ANSI/TPI 1, Chapter 2.

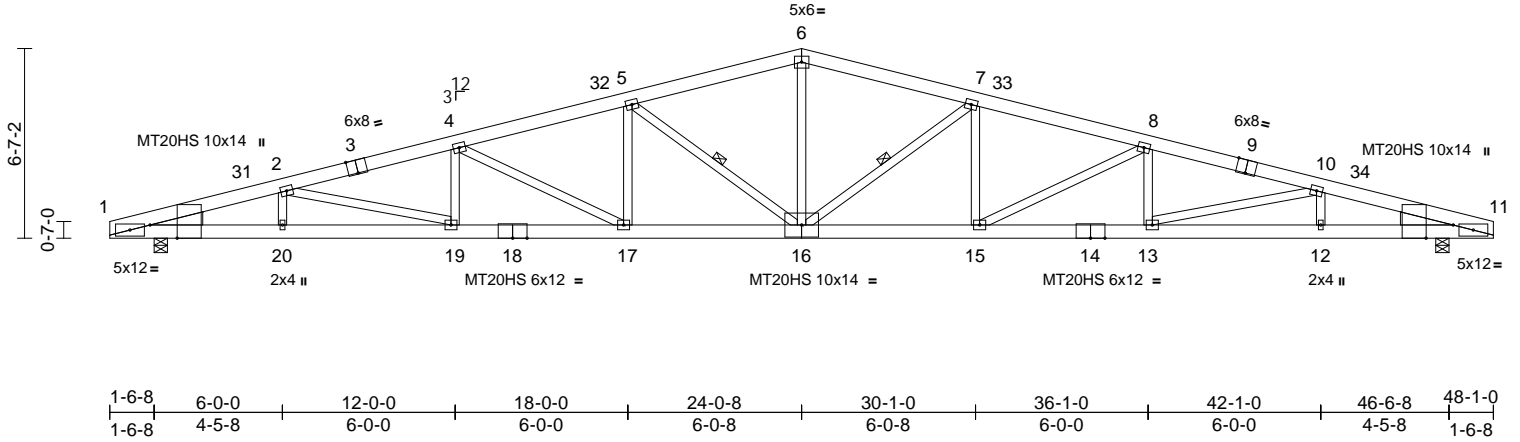
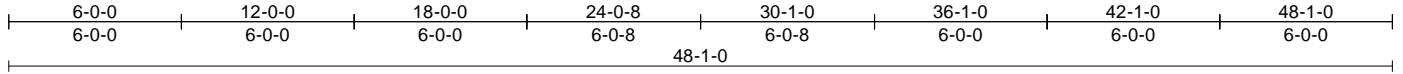
March 10,2026

Job 5307575	Truss T01	Truss Type Common	Qty 4	Ply 1	Job Reference (optional) T40400373
----------------	--------------	----------------------	----------	----------	---------------------------------------

Builders FirstSource (Lake City,FL), Lake City, FL - 32055,

Run: 8.83 S Jan 22 2026 Print: 8.830 S Jan 22 2026 MiTek Industries, Inc. Mon Mar 09 17:00:32
ID:mbVeS73xWx?HSP2JoaUxjzcdJV-RfC?PsB70Hq3NSgPqnL8w3uITxBGKWrCDoi7J4zJC?F

Page: 1



Scale = 1:80.1

Plate Offsets (X, Y): [1:0-2-6,0-0-7], [1:0-5-8,Edge], [3:0-4-0,Edge], [9:0-4-0,Edge], [11:0-2-6,0-0-6], [11:0-5-8,Edge]

Loading	(psf)	Spacing	2-0-0	CSI	DEFL	in	(loc)	l/defl	L/d	PLATES	GRIP	
TCLL (roof)	20.0	Plate Grip DOL	1.25	TC	0.92	Vert(LL)	0.58	15-16	>996	240	MT20	244/190
TCDL	10.0	Lumber DOL	1.25	BC	0.77	Vert(CT)	-0.96	16-17	>600	180	MT20HS	187/143
BCLL	0.0*	Rep Stress Incr	NO	WB	0.98	Horz(CT)	0.21	11	n/a	n/a		
BCDL	10.0	Code	FBC2023/TPI2014	Matrix-MS								
											Weight: 327 lb	FT = 20%

LUMBER
TOP CHORD 2x6 SP No.2
BOT CHORD 2x6 SP 2400F 2.0E or 2x6 SP M 26
WEBS 2x4 SP No.3
WEDGE Left: 2x6 SP No.2
Right: 2x6 SP No.2

BRACING
TOP CHORD Structural wood sheathing directly applied or 1-8-7 oc purlins.
BOT CHORD Rigid ceiling directly applied or 5-0-14 oc bracing.
WEBS 1 Row at midpt 5-16, 7-16

REACTIONS (size) 1=0-5-8, 11=0-5-8
Max Horiz 1=-127 (LC 17)
Max Uplift 1=-1172 (LC 8), 11=-1172 (LC 9)
Max Grav 1=2973 (LC 1), 11=2973 (LC 1)

FORCES (lb) - Maximum Compression/Maximum Tension
TOP CHORD 1-2=-7068/3730, 2-4=-7870/4107,
4-5=-6883/3676, 5-6=-5625/3053,
6-7=-5625/3053, 7-8=-6883/3676,
8-10=-7870/4107, 10-11=-7068/3730
BOT CHORD 1-20=-3500/6752, 19-20=-3500/6752,
17-19=-3888/7620, 15-17=-3418/6633,
13-15=-3902/7620, 12-13=-3487/6752,
11-12=-3487/6752
WEBS 2-20=-272/164, 2-19=-455/899,
4-19=-160/385, 4-17=-1159/587,
5-17=-448/914, 5-16=-1579/873,
6-16=-1231/2335, 7-16=-1579/873,
7-15=-448/914, 8-15=-1159/587,
8-13=-160/385, 10-13=-455/899,
10-12=-272/163

- Wind: ASCE 7-22; Vult=130mph (3-second gust)
Vasd=101mph; TC DL=4.2psf; BC DL=3.0psf; h=18ft; Cat. II; Exp C; Enclosed; MWFRS (envelope) exterior (2) zone and C-C Zone3 0-0-0 to 4-9-11, Zone1 4-9-11 to 24-0-8, Zone2 24-0-8 to 30-10-2, Zone1 30-10-2 to 48-1-0 zone; cantilever left and right exposed ;C-C for members and forces & MWFRS for reactions shown; Lumber DOL=1.60 plate grip DOL=1.60
- Building Designer / Project engineer responsible for verifying applied roof live load shown covers rain loading requirements specific to the use of this truss component.
- All plates are MT20 plates unless otherwise indicated.
- All plates are 4x5 (=) MT20 unless otherwise indicated.
- This truss has been designed for a 10.0 psf bottom chord live load nonconcurrent with any other live loads.
- * This truss has been designed for a live load of 20.0psf on the bottom chord in all areas where a rectangle 3-06-00 tall by 2-00-00 wide will fit between the bottom chord and any other members.
- Provide mechanical connection (by others) of truss to bearing plate capable of withstanding 1172 lb uplift at joint 1 and 1172 lb uplift at joint 11.
- Hanger(s) or other connection device(s) shall be provided sufficient to support concentrated load(s) 300 lb down and 235 lb up at 6-0-0, 300 lb down and 235 lb up at 12-0-0, 300 lb down and 235 lb up at 18-0-0, 300 lb down and 235 lb up at 24-0-8, 300 lb down and 235 lb up at 30-1-0, and 300 lb down and 235 lb up at 36-1-0, and 300 lb down and 235 lb up at 42-1-0 on bottom chord. The design/selection of such connection device(s) is the responsibility of others.
- In the LOAD CASE(S) section, loads applied to the face of the truss are noted as front (F) or back (B).

Vert: 20=-300 (F), 19=-300 (F), 17=-300 (F), 16=-300 (F), 15=-300 (F), 13=-300 (F), 12=-300 (F)

NOTES
1) Unbalanced roof live loads have been considered for this design.

LOAD CASE(S) Standard
1) Dead + Roof Live (balanced): Lumber Increase=1.25,
Plate Increase=1.25
Uniform Loads (lb/ft)
Vert: 1-6=-60, 6-11=-60, 21-26=-20
Concentrated Loads (lb)

This item has been digitally signed and sealed by O'Regan, Philip, PE on the date indicated here. Printed copies of this document are not considered signed and sealed and the signature must be verified on any electronic copies.

Philip J. O'Regan PE No.58126
MiTek Inc. DBA MiTek USA FL Cert 6634
16023 Swingley Ridge Rd. Chesterfield, MO 63017
Date:

March 10, 2026

WARNING - Verify design parameters and READ NOTES ON THIS AND INCLUDED MITEK REFERENCE PAGE MII-7473 rev. 1/2/2023 BEFORE USE.

Design valid for use only with MiTek® connectors. This design is based only upon parameters shown, and is for an individual building component, not a truss system. Before use, the building designer must verify the applicability of the design parameters and properly incorporate this design into the overall building design. Bracing indicated is to prevent buckling of individual truss web and/or chord members only. Additional temporary and permanent bracing is always required for stability and to prevent collapse with possible personal injury and property damage. For general guidance regarding the fabrication, storage, delivery, erection and bracing of trusses and truss systems, see **ANSI/TPI1 Quality Criteria and DSB-22** available from Truss Plate Institute (www.tpinst.org) and **BCSI Building Component Safety Information** available from the Structural Building Component Association (www.sbcsccomponents.com)

MiTek®

16023 Swingley Ridge Rd.
Chesterfield, MO 63017
314.434.1200 / MiTek-US.com

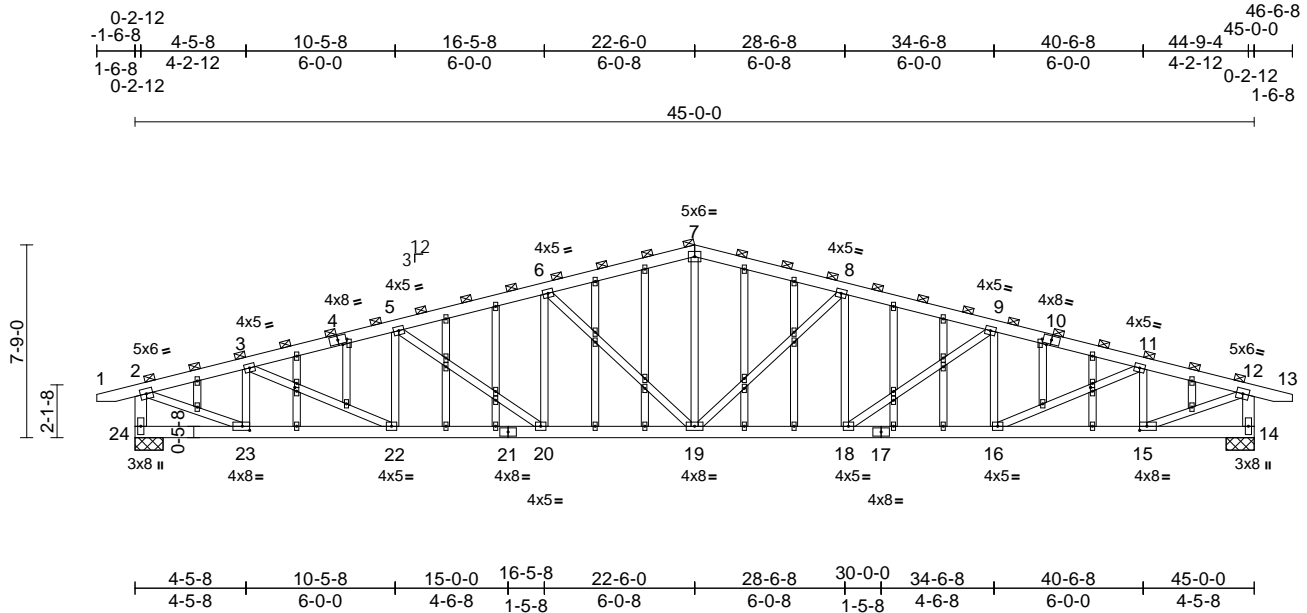
Job 5307575	Truss T01G	Truss Type Roof Special Girder	Qty 1	Ply 2	Job Reference (optional) T40400374
----------------	---------------	-----------------------------------	----------	----------	---------------------------------------

Builders FirstSource (Lake City,FL), Lake City, FL - 32055,

Run: 8.83 S Jan 22 2026 Print: 8.830 S Jan 22 2026 MiTek Industries, Inc. Mon Mar 09 17:00:33

Page: 1

ID:JYud5019oMa80tBGA9RejzccWq-RfC?PsB70Hq3NSgPqnL8w3uITxBGKWrCdoi7J4zJC?F



Scale = 1:92.7

Plate Offsets (X, Y): [15:0-3-8,0-2-0], [23:0-3-8,0-2-0], [38:0-2-11,0-2-0], [39:0-1-13,0-1-0], [57:0-2-11,0-2-0], [60:0-1-13,0-1-0]

Loading	(psf)	Spacing	2-0-0	CSI	DEFL	in	(loc)	l/defl	L/d	PLATES	GRIP	
TCLL (roof)	20.0	Plate Grip DOL	1.25	TC	0.19	Vert(LL)	0.17	19-20	>999	240	MT20	244/190
TCDL	10.0	Lumber DOL	1.25	BC	0.49	Vert(CT)	-0.31	19-20	>999	180		
BCLL	0.0*	Rep Stress Incr	NO	WB	0.78	Horz(CT)	0.09	14	n/a	n/a		
BCDL	10.0	Code	FBC2023/TPI2014	Matrix-MS							Weight: 854 lb	FT = 20%

- LUMBER**
- TOP CHORD 2x6 SP No.2
 - BOT CHORD 2x6 SP No.2
 - WEBS 2x4 SP No.3
 - OTHERS 2x4 SP No.3
- BRACING**
- TOP CHORD 2-0-0 oc purlins (6-0-0 max.).
 - BOT CHORD Rigid ceiling directly applied or 10-0-0 oc bracing.
- REACTIONS** (size) 14=1-1-8, 24=1-1-8
- Max Horiz 24=125 (LC 8)
 - Max Uplift 14=1188 (LC 5), 24=1188 (LC 4)
 - Max Grav 14=2915 (LC 1), 24=2915 (LC 1)
- FORCES** (lb) - Maximum Compression/Maximum Tension
- TOP CHORD 1-2=0/20, 2-3=-4185/1642, 3-5=-5595/2187, 5-6=-5416/2105, 6-7=-4649/1793, 7-8=-4649/1793, 8-9=-5416/2105, 9-11=-5595/2187, 11-12=-4185/1642, 12-13=0/20
 - BOT CHORD 2-24=-2820/1173, 23-24=-201/257, 22-23=-1646/4016, 20-22=-2118/5399, 19-20=-1963/5211, 18-19=-1853/5211, 16-18=-2008/5399, 15-16=-1537/4016, 14-15=-78/206, 12-14=-2820/1173
 - WEBS 8-18=-205/604, 9-18=-341/203, 9-16=-203/126, 11-16=-531/1524, 11-15=-1211/529, 12-15=-1582/4112, 6-19=-1118/547, 6-20=-205/604, 5-20=-341/203, 5-22=-203/126, 3-22=-530/1524, 3-23=-1211/529, 2-23=-1583/4112, 7-19=-679/1870, 8-19=-1118/548
- NOTES**
- 2-ply truss to be connected together with 10d (0.131"x3") nails as follows:
Top chords connected as follows: 2x6 - 2 rows staggered at 0-9-0 oc.
Bottom chords connected as follows: 2x6 - 2 rows staggered at 0-9-0 oc.
Web connected as follows: 2x4 - 1 row at 0-9-0 oc.
 - All loads are considered equally applied to all plies, except if noted as front (F) or back (B) face in the LOAD CASE(S) section. Ply to ply connections have been provided to distribute only loads noted as (F) or (B), unless otherwise indicated.
 - Unbalanced roof live loads have been considered for this design.
 - Wind: ASCE 7-22; Vult=130mph (3-second gust) Vasd=101mph; TC DL=4.2psf; BC DL=3.0psf; h=18ft; Cat. II; Exp C; Enclosed; MWFRS (envelope) exterior (2) zone; end vertical left and right exposed; Lumber DOL=1.60 plate grip DOL=1.60
 - Truss designed for wind loads in the plane of the truss only. For studs exposed to wind (normal to the face), see Standard Industry Gable End Details as applicable, or consult qualified building designer as per ANSI/TPI 1.
 - Building Designer / Project engineer responsible for verifying applied roof live load shown covers rain loading requirements specific to the use of this truss component.
 - All plates are 2x4 (||) MT20 unless otherwise indicated.
 - Truss to be fully sheathed from one face or securely braced against lateral movement (i.e. diagonal web).
 - Gable studs spaced at 2-0-0 oc.
 - This truss has been designed for a 10.0 psf bottom chord live load nonconcurrent with any other live loads.
 - * This truss has been designed for a live load of 20.0psf on the bottom chord in all areas where a rectangle 3-06-00 tall by 2-00-00 wide will fit between the bottom chord and any other members.
 - Provide mechanical connection (by others) of truss to bearing plate capable of withstanding 1188 lb uplift at joint 24 and 1188 lb uplift at joint 14.
 - Graphical purlin representation does not depict the size or the orientation of the purlin along the top and/or bottom chord.
 - Hanger(s) or other connection device(s) shall be provided sufficient to support concentrated load(s) 300 lb down and 129 lb up at 6-0-0, 300 lb down and 129 lb up at 12-0-0, 300 lb down and 129 lb up at 18-0-0, 300 lb down and 129 lb up at 24-0-8, 300 lb down and 129 lb up at 30-1-0, and 300 lb down and 129 lb up at 42-1-0 on bottom chord. The design/selection of such connection device(s) is the responsibility of others.
- LOAD CASE(S)** Standard
- Dead + Roof Live (balanced): Lumber Increase=1.25, Plate Increase=1.25
Uniform Loads (lb/ft)
Vert: 14-24=-20, 1-7=-60, 7-13=-60
Concentrated Loads (lb)
Vert: 18=-300 (F), 16=-300 (F), 15=-300 (F), 19=-300 (F), 20=-300 (F), 22=-300 (F), 23=-300 (F)

This item has been digitally signed and sealed by O'Regan, Philip, PE on the date indicated here. Printed copies of this document are not considered signed and sealed and the signature must be verified on any electronic copies.

Philip J. O'Regan PE No.58126
MiTek Inc. DBA MiTek USA FL Cert 6634
16023 Swingley Ridge Rd. Chesterfield, MO 63017
Date:

March 10, 2026

WARNING - Verify design parameters and READ NOTES ON THIS AND INCLUDED MITEK REFERENCE PAGE MII-7473 rev. 1/2/2023 BEFORE USE.

Design valid for use only with MiTek® connectors. This design is based only upon parameters shown, and is for an individual building component, not a truss system. Before use, the building designer must verify the applicability of the design parameters and properly incorporate this design into the overall building design. Bracing indicated is to prevent buckling of individual truss web and/or chord members only. Additional temporary and permanent bracing is always required for stability and to prevent collapse with possible personal injury and property damage. For general guidance regarding the fabrication, storage, delivery, erection and bracing of trusses and truss systems, see **ANSI/TPI1 Quality Criteria and DSB-22** available from Truss Plate Institute (www.tpinst.org) and **BCSI Building Component Safety Information** available from the Structural Building Component Association (www.sbcsccomponents.com)

MiTek®
16023 Swingley Ridge Rd.
Chesterfield, MO 63017
314.434.1200 / MiTek-US.com

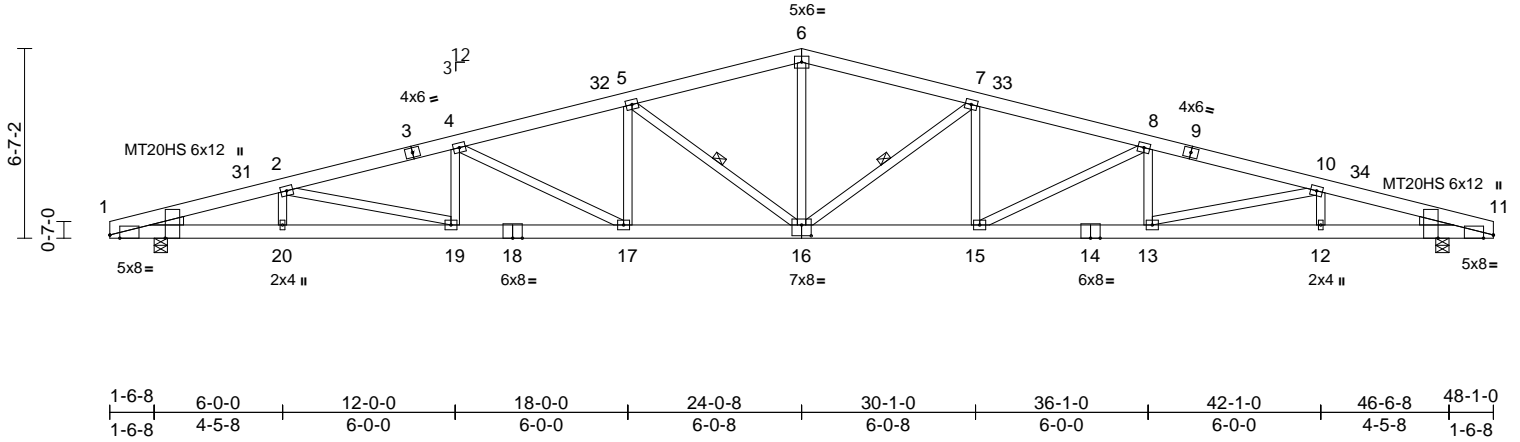
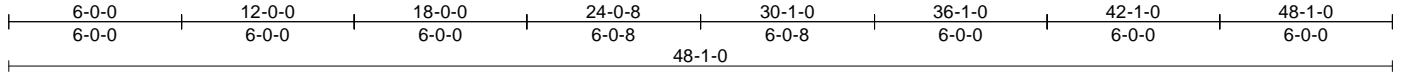
Job 5307575	Truss T02	Truss Type Common	Qty 17	Ply 1	Job Reference (optional) T40400375
----------------	--------------	----------------------	-----------	----------	---------------------------------------

Builders FirstSource (Lake City,FL), Lake City, FL - 32055,

Run: 8.83 S Jan 22 2026 Print: 8.830 S Jan 22 2026 MiTek Industries, Inc. Mon Mar 09 17:00:34

Page: 1

ID:RksKh0vcNGFwF7KhSe0Lzpcdd3-RfC?PsB70Hq3NSgPqnL8w3uITXbGKwRCDoi7J4zJC?f



Scale = 1:80.1

Plate Offsets (X, Y): [1:0-4-2,Edge], [1:0-1-5,Edge], [11:0-4-2,Edge], [11:0-1-5,Edge], [16:0-4-0,0-4-8]

Loading	(psf)	Spacing	2-0-0	CSI	DEFL	in	(loc)	l/defl	L/d	PLATES	GRIP	
TCLL (roof)	20.0	Plate Grip DOL	1.25	TC	0.56	Vert(LL)	0.34	16-17	>999	240	MT20	244/190
TCDL	10.0	Lumber DOL	1.25	BC	0.76	Vert(CT)	-0.66	15-16	>874	180	MT20HS	187/143
BCLL	0.0*	Rep Stress Incr	YES	WB	0.61	Horz(CT)	0.16	11	n/a	n/a		
BCDL	10.0	Code	FBC2023/TPI2014	Matrix-MS								Weight: 322 lb FT = 20%

LUMBER
TOP CHORD 2x6 SP No.2
BOT CHORD 2x6 SP 2400F 2.0E or 2x6 SP M 26 *Except* 16-18,16-14:2x6 SP No.2
WEBS 2x4 SP No.3
WEDGE Left: 2x4 SP No.3 Right: 2x4 SP No.3

BRACING
TOP CHORD Structural wood sheathing directly applied or 2-10-14 oc purlins.
BOT CHORD Rigid ceiling directly applied or 5-8-12 oc bracing.
WEBS 1 Row at midpt 7-16, 5-16

REACTIONS (size) 1=0-5-8, 11=0-5-8
Max Horiz 1=-127 (LC 13)
Max Uplift 1=-721 (LC 8), 11=-721 (LC 9)
Max Grav 1=1923 (LC 1), 11=1923 (LC 1)

FORCES (lb) - Maximum Compression/Maximum Tension
TOP CHORD 1-2=-4259/1569, 2-4=-4846/1754, 4-5=-4250/1609, 5-6=-3470/1362, 6-7=-3470/1362, 7-8=-4250/1609, 8-10=-4846/1754, 10-11=-4259/1572
BOT CHORD 1-20=-1556/4056, 19-20=-1556/4056, 17-19=-1695/4682, 15-17=-1413/4079, 13-15=-1594/4682, 12-13=-1454/4056, 11-12=-1454/4056
WEBS 6-16=-422/1303, 2-20=-331/188, 4-19=0/183, 7-15=-122/458, 5-17=-122/458, 4-17=-725/357, 10-12=-331/187, 7-16=-998/489, 8-13=0/183, 2-19=-223/648, 5-16=-998/488, 8-15=-725/357, 10-13=-224/648

- Wind: ASCE 7-22; Vult=130mph (3-second gust) Vasd=101mph; TC DL=4.2psf; BCDL=3.0psf; h=18ft; Cat. II; Exp C; Enclosed; MWFRS (envelope) exterior (2) zone and C-C Zone3 0-0-0 to 4-9-11, Zone1 4-9-11 to 24-0-8, Zone2 24-0-8 to 30-10-2, Zone1 30-10-2 to 48-1-0 zone; cantilever left and right exposed ;C-C for members and forces & MWFRS for reactions shown; Lumber DOL=1.60 plate grip DOL=1.60
- Building Designer / Project engineer responsible for verifying applied roof live load shown covers rain loading requirements specific to the use of this truss component.
- All plates are MT20 plates unless otherwise indicated.
- All plates are 4x5 (=) MT20 unless otherwise indicated.
- This truss has been designed for a 10.0 psf bottom chord live load nonconcurrent with any other live loads.
- * This truss has been designed for a live load of 20.0psf on the bottom chord in all areas where a rectangle 3-06-00 tall by 2-00-00 wide will fit between the bottom chord and any other members.
- Provide mechanical connection (by others) of truss to bearing plate capable of withstanding 721 lb uplift at joint 1 and 721 lb uplift at joint 11.

LOAD CASE(S) Standard

This item has been digitally signed and sealed by O'Regan, Philip, PE on the date indicated here. Printed copies of this document are not considered signed and sealed and the signature must be verified on any electronic copies.

Philip J. O'Regan PE No.58126
MiTek Inc. DBA MiTek USA FL Cert 6634
16023 Swingley Ridge Rd. Chesterfield, MO 63017
Date:

March 10,2026

WARNING - Verify design parameters and READ NOTES ON THIS AND INCLUDED MITEK REFERENCE PAGE MII-7473 rev. 1/2/2023 BEFORE USE.

Design valid for use only with MiTek® connectors. This design is based only upon parameters shown, and is for an individual building component, not a truss system. Before use, the building designer must verify the applicability of the design parameters and properly incorporate this design into the overall building design. Bracing indicated is to prevent buckling of individual truss web and/or chord members only. Additional temporary and permanent bracing is always required for stability and to prevent collapse with possible personal injury and property damage. For general guidance regarding the fabrication, storage, delivery, erection and bracing of trusses and truss systems, see **ANSI/TPI1 Quality Criteria and DSB-22** available from Truss Plate Institute (www.tpinst.org) and **BCSI Building Component Safety Information** available from the Structural Building Component Association (www.sbcsccomponents.com)



16023 Swingley Ridge Rd.
Chesterfield, MO 63017
314.434.1200 / MiTek-US.com

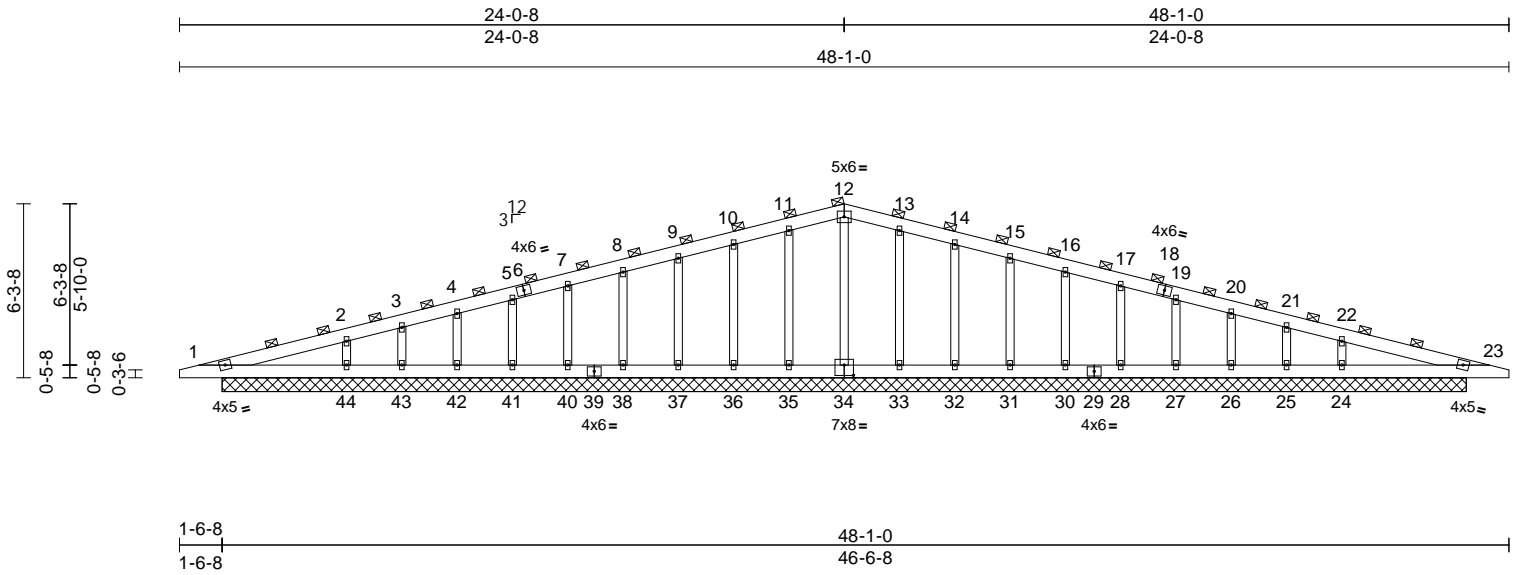
Job 5307575	Truss T02G	Truss Type Common Supported Gable	Qty 1	Ply 1	Job Reference (optional) T40400376
----------------	---------------	--------------------------------------	----------	----------	---------------------------------------

Builders FirstSource (Lake City,FL), Lake City, FL - 32055,

Run: 8.83 S Jan 22 2026 Print: 8.830 S Jan 22 2026 MiTek Industries, Inc. Mon Mar 09 17:00:34

Page: 1

ID:flgkdHzQi?2T0oSDV81bSAzcdWW-RfC?PsB70Hq3NSgPqnL8w3ulTXbGKWRCdoi7J4zJC7f



Loading	(psf)	Spacing	2-0-0	CSI	DEFL	in	(loc)	l/defl	L/d	PLATES	GRIP	
TCLL (roof)	20.0	Plate Grip DOL	1.25	TC	0.08	Vert(LL)	n/a	-	n/a	999	MT20	244/190
TCDL	10.0	Lumber DOL	1.25	BC	0.08	Vert(TL)	n/a	-	n/a	999		
BCLL	0.0*	Rep Stress Incr	YES	WB	0.08	Horiz(TL)	0.00	23	n/a	n/a		
BCDL	10.0	Code	FBC2023/TPI2014	Matrix-MS							Weight: 310 lb	FT = 20%

LUMBER	TOP CHORD	2x6 SP No.2	BOT CHORD	2x6 SP No.2	OTHERS	2x4 SP No.3
BRACING	TOP CHORD	2-0-0 oc purlins (6-0-0 max.).				
	BOT CHORD	Rigid ceiling directly applied or 10-0-0 oc bracing.				
REACTIONS	(size)	1=45-0-0, 23=45-0-0, 24=45-0-0, 25=45-0-0, 26=45-0-0, 27=45-0-0, 28=45-0-0, 30=45-0-0, 31=45-0-0, 32=45-0-0, 33=45-0-0, 34=45-0-0, 35=45-0-0, 36=45-0-0, 37=45-0-0, 38=45-0-0, 40=45-0-0, 41=45-0-0, 42=45-0-0, 43=45-0-0, 44=45-0-0				
	Max Horiz	1=-118 (LC 13)				
	Max Uplift	1=-35 (LC 9), 23=-39 (LC 9), 24=-181 (LC 13), 25=-28 (LC 9), 26=-85 (LC 13), 27=-73 (LC 9), 28=-75 (LC 13), 30=-75 (LC 13), 31=-74 (LC 9), 32=-78 (LC 13), 33=-69 (LC 13), 35=-71 (LC 12), 36=-78 (LC 8), 37=-75 (LC 8), 38=-75 (LC 12), 40=-75 (LC 12), 41=-73 (LC 8), 42=-86 (LC 12), 43=-26 (LC 8), 44=-187 (LC 12)				
	Max Grav	1=173 (LC 1), 23=172 (LC 1), 24=364 (LC 26), 25=70 (LC 1), 26=180 (LC 26), 27=156 (LC 1), 28=161 (LC 26), 30=160 (LC 1), 31=160 (LC 1), 32=161 (LC 26), 33=165 (LC 26), 34=140 (LC 1), 35=165 (LC 25), 36=161 (LC 25), 37=160 (LC 1), 38=160 (LC 1), 40=161 (LC 25), 41=156 (LC 1), 42=180 (LC 25), 43=70 (LC 1), 44=364 (LC 25)				
FORCES	(lb) - Maximum Compression/Maximum Tension	TOP CHORD 1-2=-114/69, 2-3=-90/81, 3-4=-72/93, 4-5=-60/107, 5-7=-49/132, 7-8=-58/171, 8-9=-68/211, 9-10=-78/251, 10-11=-88/292, 11-12=-97/329, 12-13=-97/329, 13-14=-88/292, 14-15=-78/251, 15-16=-68/211, 16-17=-58/171, 17-19=-49/132, 19-20=-40/92, 20-21=-38/50, 21-22=-50/26, 22-23=-64/15				
	BOT CHORD	1-44=-41/96, 43-44=-15/96, 42-43=-15/96, 41-42=-15/96, 40-41=-15/96, 38-40=-15/96, 37-38=-15/96, 36-37=-15/96, 35-36=-15/96, 33-35=-15/96, 32-33=-15/96, 31-32=-15/96, 30-31=-15/96, 28-30=-15/96, 27-28=-15/96, 26-27=-15/96, 25-26=-15/96, 24-25=-15/96, 23-24=-15/96				
	WEBS	12-34=-100/0, 11-35=-125/136, 10-36=-121/153, 9-37=-120/147, 8-38=-120/147, 7-40=-120/147, 5-41=-119/146, 4-42=-129/156, 3-43=-73/97, 2-44=-236/275, 13-33=-125/136, 14-32=-121/153, 15-31=-120/147, 16-30=-120/147, 17-28=-120/147, 19-27=-119/146, 20-26=-129/156, 21-25=-73/97, 22-24=-237/275				
NOTES		1) Unbalanced roof live loads have been considered for this design. 2) Wind: ASCE 7-22; Vult=130mph (3-second gust) Vasd=101mph; TC DL=4.2psf; BC DL=3.0psf; h=18ft; Cat. II; Exp C; Enclosed; MWFRS (envelope) exterior (2) zone and C-C Zone3 zone; cantilever left and right exposed ;C-C for members and forces & MWFRS for reactions shown; Lumber DOL=1.60 plate grip DOL=1.60				
		3) Truss designed for wind loads in the plane of the truss only. For studs exposed to wind (normal to the face), see Standard Industry Gable End Details as applicable, or consult qualified building designer as per ANSI/TPI 1. 4) Building Designer / Project engineer responsible for verifying applied roof live load shown covers rain loading requirements specific to the use of this truss component. 5) All plates are 2x4 () MT20 unless otherwise indicated. 6) Gable studs spaced at 2-0-0 oc. 7) This truss has been designed for a 10.0 psf bottom chord live load nonconcurrent with any other live loads. 8) * This truss has been designed for a live load of 20.0psf on the bottom chord in all areas where a rectangle 3-06-00 tall by 2-00-00 wide will fit between the bottom chord and any other members.				

This item has been digitally signed and sealed by O'Regan, Philip, PE on the date indicated here. Printed copies of this document are not considered signed and sealed and the signature must be verified on any electronic copies.

Philip J. O'Regan PE No.58126
MiTek Inc. DBA MiTek USA FL Cert 6634
16023 Swingley Ridge Rd. Chesterfield, MO 63017
Date:

March 10,2026

Continued on page 2

WARNING - Verify design parameters and READ NOTES ON THIS AND INCLUDED MITEK REFERENCE PAGE MII-7473 rev. 1/2023 BEFORE USE.

Design valid for use only with MiTek® connectors. This design is based only upon parameters shown, and is for an individual building component, not a truss system. Before use, the building designer must verify the applicability of the design parameters and properly incorporate this design into the overall building design. Bracing indicated is to prevent buckling of individual truss web and/or chord members only. Additional temporary and permanent bracing is always required for stability and to prevent collapse with possible personal injury and property damage. For general guidance regarding the fabrication, storage, delivery, erection and bracing of trusses and truss systems, see **ANSI/TPI1 Quality Criteria and DSB-22** available from Truss Plate Institute (www.tpinst.org) and **BCSI Building Component Safety Information** available from the Structural Building Component Association (www.sbcsc.com)

MiTek®

16023 Swingley Ridge Rd.
Chesterfield, MO 63017
314.434.1200 / MiTek-US.com

Job 5307575	Truss T02G	Truss Type Common Supported Gable	Qty 1	Ply 1	Job Reference (optional) T40400376
----------------	---------------	--------------------------------------	----------	----------	---------------------------------------

Builders FirstSource (Lake City,FL), Lake City, FL - 32055,

Run: 8.83 S Jan 22 2026 Print: 8.830 S Jan 22 2026 MiTek Industries, Inc. Mon Mar 09 17:00:34
ID:fLgkdHzQi?2T0OsDV81bSAzcdWW-RfC?PsB70Hq3NSgPqnL8w3ulTXbGKWrCDoi7J4zJC?f

Page: 2

- 9) Provide mechanical connection (by others) of truss to bearing plate capable of withstanding 71 lb uplift at joint 35, 78 lb uplift at joint 36, 75 lb uplift at joint 37, 75 lb uplift at joint 38, 75 lb uplift at joint 40, 73 lb uplift at joint 41, 86 lb uplift at joint 42, 26 lb uplift at joint 43, 187 lb uplift at joint 44, 69 lb uplift at joint 33, 78 lb uplift at joint 32, 74 lb uplift at joint 31, 75 lb uplift at joint 30, 75 lb uplift at joint 28, 73 lb uplift at joint 27, 85 lb uplift at joint 26, 28 lb uplift at joint 25, 181 lb uplift at joint 24, 39 lb uplift at joint 23, 35 lb uplift at joint 1, 39 lb uplift at joint 23 and 35 lb uplift at joint 1.
- 10) N/A
- 11) Graphical purlin representation does not depict the size or the orientation of the purlin along the top and/or bottom chord.

LOAD CASE(S) Standard

WARNING - Verify design parameters and READ NOTES ON THIS AND INCLUDED MITEK REFERENCE PAGE MII-7473 rev. 1/2/2023 BEFORE USE.

Design valid for use only with MiTek® connectors. This design is based only upon parameters shown, and is for an individual building component, not a truss system. Before use, the building designer must verify the applicability of design parameters and properly incorporate this design into the overall building design. Bracing indicated is to prevent buckling of individual truss web and/or chord members only. Additional temporary and permanent bracing is always required for stability and to prevent collapse with possible personal injury and property damage. For general guidance regarding the fabrication, storage, delivery, erection and bracing of trusses and truss systems, see **ANSI/TPI1 Quality Criteria and DSB-22** available from Truss Plate Institute (www.tpinst.org) and **BCSI Building Component Safety Information** available from the Structural Building Component Association (www.sbcsccomponents.com)

MiTek®

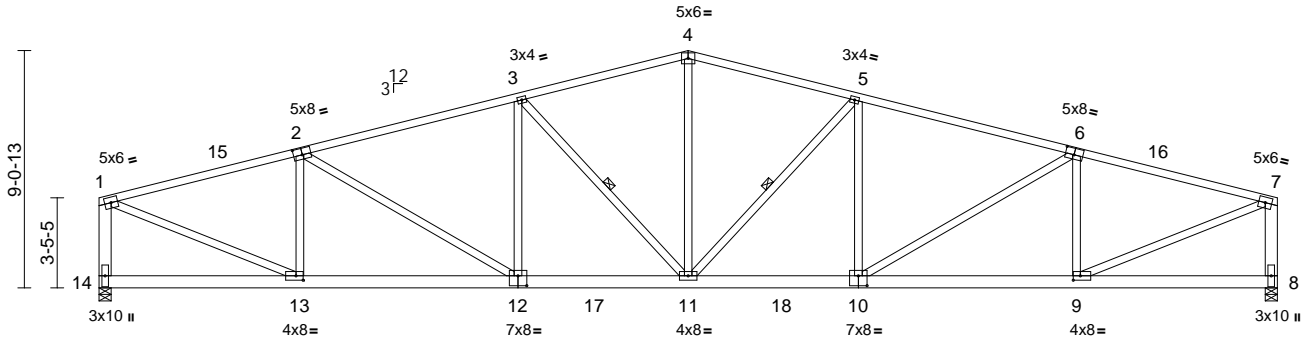
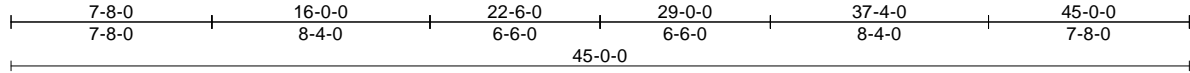
16023 Swingley Ridge Rd.
Chesterfield, MO 63017
314.434.1200 / MiTek-US.com

Job 5307575	Truss T03	Truss Type Common	Qty 5	Ply 1	Job Reference (optional) T40400377
----------------	--------------	----------------------	----------	----------	---------------------------------------

Builders FirstSource (Lake City,FL), Lake City, FL - 32055,

Run: 8.83 S Jan 22 2026 Print: 8.830 S Jan 22 2026 MiTek Industries, Inc. Mon Mar 09 17:00:35
ID:6l1ys1EcEBbos6pTZKodw3zoduE-RfC?PsB70Hq3NSgPqnL8w3ulTXbGKwRCDoi7J4zJC?f

Page: 1



Scale = 1:88

Plate Offsets (X, Y): [2:0-4-0,0-3-0], [6:0-4-0,0-3-0], [9:0-3-4,0-2-0], [10:0-4-0,0-4-8], [12:0-4-0,0-4-8], [13:0-3-4,0-2-0]

Loading	(psf)	Spacing	2-0-0	CSI	DEFL	in	(loc)	l/defl	L/d	PLATES	GRIP	
TCLL (roof)	20.0	Plate Grip DOL	1.25	TC	0.82	Vert(LL)	-0.21	11-12	>999	240	MT20	244/190
TCDL	10.0	Lumber DOL	1.25	BC	0.56	Vert(CT)	-0.39	11-12	>999	180		
BCLL	0.0*	Rep Stress Incr	YES	WB	1.00	Horz(CT)	0.08	8	n/a	n/a		
BCDL	10.0	Code	FBC2023/TPI2014	Matrix-MS							Weight: 311 lb	FT = 20%

LUMBER
TOP CHORD 2x4 SP No.2
BOT CHORD 2x6 SP No.2
WEBS 2x4 SP No.3 *Except* 8-7,14-1:2x6 SP No.2

BRACING
TOP CHORD Structural wood sheathing directly applied, except end verticals.
BOT CHORD Rigid ceiling directly applied or 7-8-9 oc bracing.
WEBS 1 Row at midpt 5-11, 3-11

REACTIONS (size) 8=0-5-8, 14=0-5-8
Max Horiz 14=117 (LC 12)
Max Uplift 8=-656 (LC 9), 14=-656 (LC 8)
Max Grav 8=1937 (LC 2), 14=1937 (LC 2)

FORCES (lb) - Maximum Compression/Maximum Tension
TOP CHORD 1-3=-3026/1076, 3-4=-2660/1024, 4-5=-2660/1024, 5-7=-3026/1076, 7-8=-1812/764, 1-14=-1812/764
BOT CHORD 13-14=-152/152, 11-13=-928/2886, 9-11=-924/2886, 8-9=-59/76
WEBS 4-11=-260/994, 7-9=-838/2635, 1-13=-838/2635, 5-11=-603/329, 5-10=-42/177, 6-10=-154/436, 6-9=-779/384, 3-11=-603/329, 2-13=-779/384, 2-12=-154/436, 3-12=-42/177

NOTES
1) Unbalanced roof live loads have been considered for this design.
2) Wind: ASCE 7-22; Vult=130mph (3-second gust) Vasd=101mph; TC DL=4.2psf; BCDL=3.0psf; h=18ft; Cat. II; Exp C; Enclosed; MWFRS (envelope) exterior (2) zone and C-C Zone3 10-4-12 to 14-10-12, Zone1 14-10-12 to 32-8-0, Zone2 32-8-0 to 39-2-0, Zone1 39-2-0 to 54-11-4 zone; C-C for members and forces & MWFRS for reactions shown; Lumber DOL=1.60 plate grip DOL=1.60

- Building Designer / Project engineer responsible for verifying applied roof live load shown covers rain loading requirements specific to the use of this truss component.
- This truss has been designed for a 10.0 psf bottom chord live load nonconcurrent with any other live loads.
- * This truss has been designed for a live load of 20.0psf on the bottom chord in all areas where a rectangle 3-06-00 tall by 2-00-00 wide will fit between the bottom chord and any other members, with BCDL = 10.0psf.
- Provide mechanical connection (by others) of truss to bearing plate capable of withstanding 656 lb uplift at joint 14 and 656 lb uplift at joint 8.

LOAD CASE(S) Standard

This item has been digitally signed and sealed by ORegan, Philip, PE on the date indicated here. Printed copies of this document are not considered signed and sealed and the signature must be verified on any electronic copies.

Philip J. O'Regan PE No.58126
MiTek Inc. DBA MiTek USA FL Cert 6634
16023 Swingley Ridge Rd. Chesterfield, MO 63017
Date:

March 10,2026

WARNING - Verify design parameters and READ NOTES ON THIS AND INCLUDED MITEK REFERENCE PAGE MII-7473 rev. 1/2/2023 BEFORE USE.

Design valid for use only with MiTek® connectors. This design is based only upon parameters shown, and is for an individual building component, not a truss system. Before use, the building designer must verify the applicability of design parameters and properly incorporate this design into the overall building design. Bracing indicated is to prevent buckling of individual truss web and/or chord members only. Additional temporary and permanent bracing is always required for stability and to prevent collapse with possible personal injury and property damage. For general guidance regarding the fabrication, storage, delivery, erection and bracing of trusses and truss systems, see **ANSI/TPI1 Quality Criteria and DSB-22** available from Truss Plate Institute (www.tpinst.org) and **BCSI Building Component Safety Information** available from the Structural Building Component Association (www.sbcsccomponents.com)

MiTek®

16023 Swingley Ridge Rd.
Chesterfield, MO 63017
314.434.1200 / MiTek-US.com

Job	Truss	Truss Type	Qty	Ply	
5307575	T03G	Common Supported Gable	1	1	T40400378 Job Reference (optional)

Builders FirstSource (Lake City,FL), Lake City, FL - 32055,

Run: 8.83 S Jan 22 2026 Print: 8.830 S Jan 22 2026 MiTek Industries, Inc. Mon Mar 09 17:00:35

Page: 2

ID:q6Fd6LA9pE2YtxBGdwdtfGzcdsD-RfC?PsB70Hq3NSgPqnL8w3uITXbGKWrCDoi7J4zJC?i

- 3) Truss designed for wind loads in the plane of the truss only. For studs exposed to wind (normal to the face), see Standard Industry Gable End Details as applicable, or consult qualified building designer as per ANSI/TPI 1.
- 4) Building Designer / Project engineer responsible for verifying applied roof live load shown covers rain loading requirements specific to the use of this truss component.
- 5) All plates are 2x4 (||) MT20 unless otherwise indicated.
- 6) Gable requires continuous bottom chord bearing.
- 7) Truss to be fully sheathed from one face or securely braced against lateral movement (i.e. diagonal web).
- 8) Gable studs spaced at 2-0-0 oc.
- 9) This truss has been designed for a 10.0 psf bottom chord live load nonconcurrent with any other live loads.
- 10) * This truss has been designed for a live load of 20.0psf on the bottom chord in all areas where a rectangle 3-06-00 tall by 2-00-00 wide will fit between the bottom chord and any other members.
- 11) Provide mechanical connection (by others) of truss to bearing plate capable of withstanding 1 lb uplift at joint 26, 45 lb uplift at joint 50, 77 lb uplift at joint 39, 76 lb uplift at joint 40, 75 lb uplift at joint 41, 75 lb uplift at joint 43, 75 lb uplift at joint 44, 75 lb uplift at joint 45, 75 lb uplift at joint 46, 76 lb uplift at joint 47, 71 lb uplift at joint 48, 247 lb uplift at joint 49, 76 lb uplift at joint 37, 76 lb uplift at joint 36, 75 lb uplift at joint 35, 75 lb uplift at joint 33, 75 lb uplift at joint 32, 75 lb uplift at joint 31, 75 lb uplift at joint 30, 75 lb uplift at joint 29, 72 lb uplift at joint 28 and 210 lb uplift at joint 27.
- 12) Graphical purlin representation does not depict the size or the orientation of the purlin along the top and/or bottom chord.

LOAD CASE(S) Standard

WARNING - Verify design parameters and READ NOTES ON THIS AND INCLUDED MITEK REFERENCE PAGE MII-7473 rev. 1/2/2023 BEFORE USE.

Design valid for use only with MiTek® connectors. This design is based only upon parameters shown, and is for an individual building component, not a truss system. Before use, the building designer must verify the applicability of design parameters and properly incorporate this design into the overall building design. Bracing indicated is to prevent buckling of individual truss web and/or chord members only. Additional temporary and permanent bracing is always required for stability and to prevent collapse with possible personal injury and property damage. For general guidance regarding the fabrication, storage, delivery, erection and bracing of trusses and truss systems, see **ANSI/TPI1 Quality Criteria and DSB-22** available from Truss Plate Institute (www.tpinst.org) and **BCSI Building Component Safety Information** available from the Structural Building Component Association (www.sbcsccomponents.com)

MiTek®

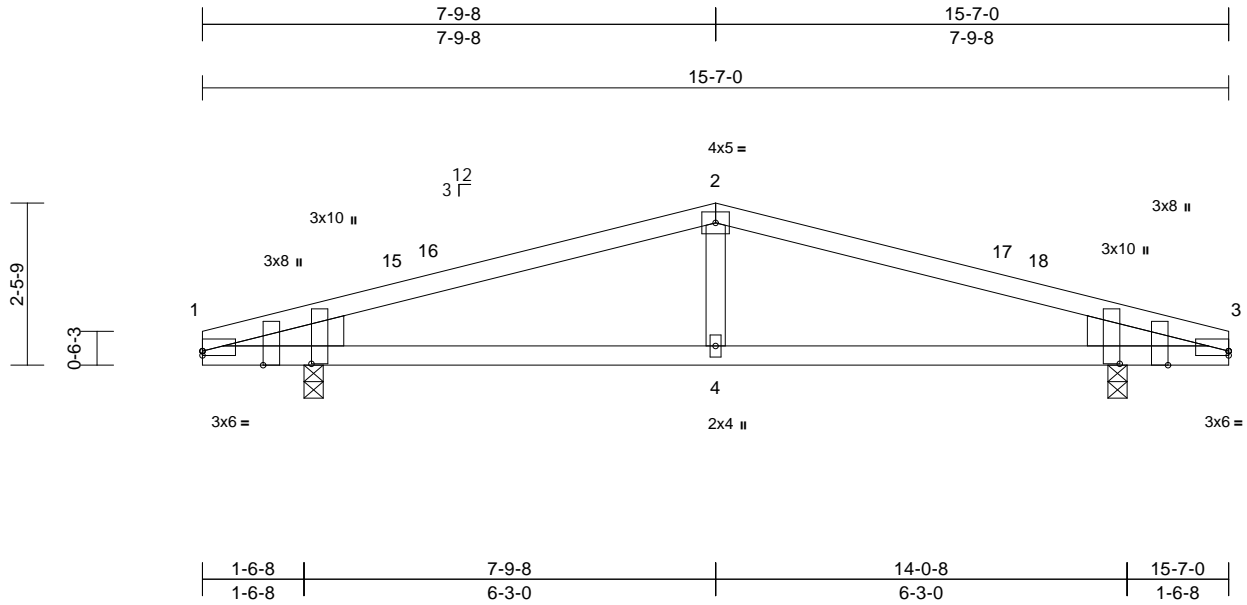
16023 Swingley Ridge Rd.
Chesterfield, MO 63017
314.434.1200 / MiTek-US.com

Job 5307575	Truss T04	Truss Type Common	Qty 2	Ply 1	Job Reference (optional)	T40400379
----------------	--------------	----------------------	----------	----------	--------------------------	-----------

Builders FirstSource (Lake City,FL), Lake City, FL - 32055,

Run: 8.83 S Jan 22 2026 Print: 8.830 S Jan 22 2026 MiTek Industries, Inc. Mon Mar 09 17:00:35
ID:L36Zcsw2eViP81TKbKueQ9zce?Z-RfC?PsB70Hq3NSgPqnL8w3uITXbGKWrCdoi7J4zJC?f

Page: 1



Scale = 1:35

Plate Offsets (X, Y): [1:Edge,0-0-12], [1:0-2-9,Edge], [1:0-2-5,1-7-14], [3:Edge,0-0-12], [3:0-2-9,Edge], [3:0-2-5,1-7-14]

Loading	(psf)	Spacing	2-0-0	CSI	DEFL	in	(loc)	l/defl	L/d	PLATES	GRIP	
TCLL (roof)	20.0	Plate Grip DOL	1.25	TC	0.45	Vert(LL)	0.06	4-9	>999	240	MT20	244/190
TCDL	10.0	Lumber DOL	1.25	BC	0.42	Vert(CT)	-0.06	4-9	>999	180		
BCLL	0.0*	Rep Stress Incr	YES	WB	0.07	Horz(CT)	0.01	3	n/a	n/a		
BCDL	10.0	Code	FBC2023/TPI2014	Matrix-MS							Weight: 59 lb	FT = 20%

LUMBER

TOP CHORD 2x4 SP No.2
 BOT CHORD 2x4 SP No.2
 WEBS 2x4 SP No.3
 WEDGE Left: 2x6 SP No.2
 Right: 2x6 SP No.2

- * This truss has been designed for a live load of 20.0psf on the bottom chord in all areas where a rectangle 3-06-00 tall by 2-00-00 wide will fit between the bottom chord and any other members.
- Provide mechanical connection (by others) of truss to bearing plate capable of withstanding 420 lb uplift at joint 1 and 420 lb uplift at joint 3.

BRACING

TOP CHORD Structural wood sheathing directly applied or 6-0-0 oc purlins.
 BOT CHORD Rigid ceiling directly applied or 7-1-3 oc bracing.

LOAD CASE(S) Standard

REACTIONS

(size) 1=0-3-8, 3=0-3-8
 Max Horiz 1=41 (LC 12)
 Max Uplift 1=-420 (LC 8), 3=-420 (LC 9)
 Max Grav 1=623 (LC 1), 3=623 (LC 1)

FORCES

(lb) - Maximum Compression/Maximum Tension
 TOP CHORD 1-2=-774/764, 2-3=-774/764
 BOT CHORD 1-4=-646/704, 3-4=-646/704
 WEBS 2-4=-123/191

NOTES

- Unbalanced roof live loads have been considered for this design.
- Wind: ASCE 7-22; Vult=130mph (3-second gust) Vasd=101mph; TC DL=4.2psf; BC DL=3.0psf; h=18ft; Cat. II; Exp C; Enclosed; MWFRS (envelope) exterior (2) zone and C-C Zone3 0-0-0 to 3-0-0, Zone1 3-0-0 to 7-9-8, Zone2 7-9-8 to 12-0-7, Zone1 12-0-7 to 15-7-0 zone; cantilever left and right exposed; porch left and right exposed; C-C for members and forces & MWFRS for reactions shown; Lumber DOL=1.60 plate grip DOL=1.60
- Building Designer / Project engineer responsible for verifying applied roof live load shown covers rain loading requirements specific to the use of this truss component.
- This truss has been designed for a 10.0 psf bottom chord live load nonconcurrent with any other live loads.

This item has been digitally signed and sealed by ORegan, Philip, PE on the date indicated here. Printed copies of this document are not considered signed and sealed and the signature must be verified on any electronic copies.

Philip J. O'Regan PE No.58126
 MiTek Inc. DBA MiTek USA FL Cert 6634
 16023 Swingley Ridge Rd. Chesterfield, MO 63017
 Date:

March 10,2026

WARNING - Verify design parameters and READ NOTES ON THIS AND INCLUDED MITEK REFERENCE PAGE MII-7473 rev. 1/2/2023 BEFORE USE.

Design valid for use only with MiTek® connectors. This design is based only upon parameters shown, and is for an individual building component, not a truss system. Before use, the building designer must verify the applicability of design parameters and properly incorporate this design into the overall building design. Bracing indicated is to prevent buckling of individual truss web and/or chord members only. Additional temporary and permanent bracing is always required for stability and to prevent collapse with possible personal injury and property damage. For general guidance regarding the fabrication, storage, delivery, erection and bracing of trusses and truss systems, see **ANSI/TPI1 Quality Criteria and DSB-22** available from Truss Plate Institute (www.tpinst.org) and **BCSI Building Component Safety Information** available from the Structural Building Component Association (www.sbcsccomponents.com)

MiTek®

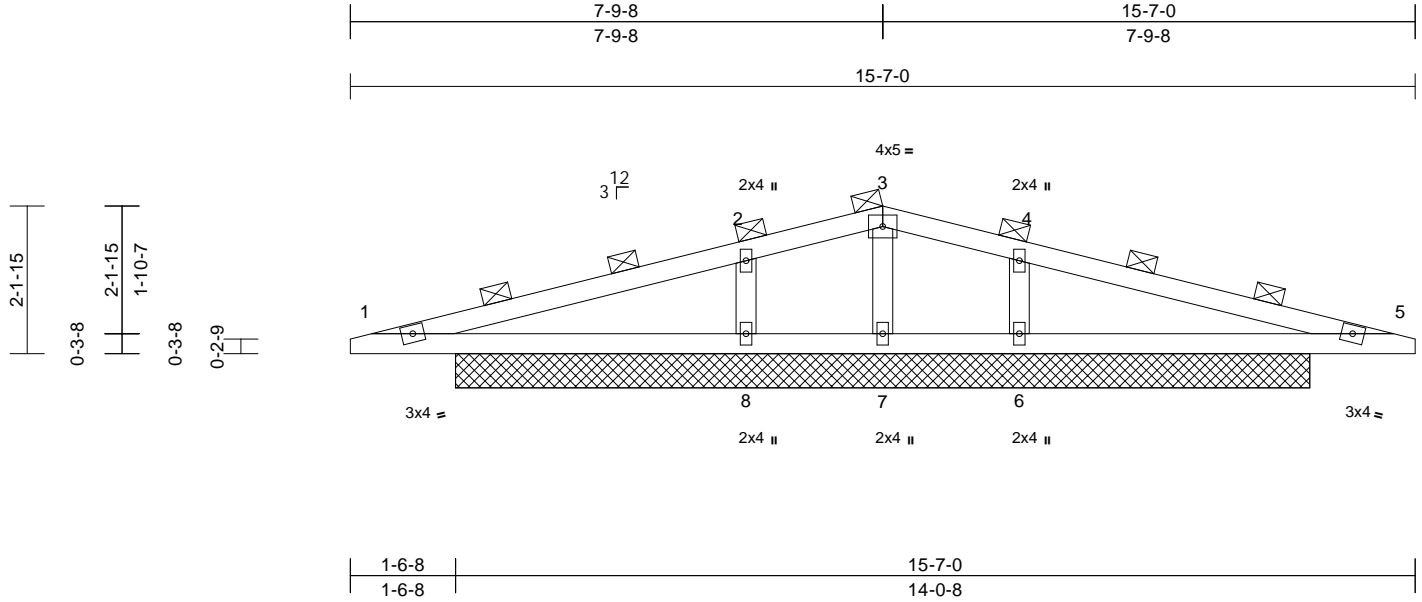
16023 Swingley Ridge Rd.
 Chesterfield, MO 63017
 314.434.1200 / MiTek-US.com

Job 5307575	Truss T04G	Truss Type Common Supported Gable	Qty 1	Ply 1	Job Reference (optional) T40400380
----------------	---------------	--------------------------------------	----------	----------	---------------------------------------

Builders FirstSource (Lake City,FL), Lake City, FL - 32055,

Run: 8.83 S Jan 22 2026 Print: 8.830 S Jan 22 2026 MiTek Industries, Inc. Mon Mar 09 17:00:36
ID:GuGTzQ3Ww4Lfirm6GD1NqzcdxW-RfC?PsB70Hq3NSgPqnL8w3uITxBGKWrCDoi7J4zJC?f

Page: 1



Loading	(psf)	Spacing	2-0-0	CSI	DEFL	in	(loc)	l/defl	L/d	PLATES	GRIP	
TCLL (roof)	20.0	Plate Grip DOL	1.25	TC	0.69	Vert(LL)	n/a	-	n/a	999	MT20	244/190
TCDL	10.0	Lumber DOL	1.25	BC	0.57	Vert(TL)	n/a	-	n/a	999		
BCLL	0.0*	Rep Stress Incr	YES	WB	0.12	Horiz(TL)	0.00	6	n/a	n/a		
BCDL	10.0	Code	FBC2023/TPI2014	Matrix-MS							Weight: 52 lb	FT = 20%

LUMBER
TOP CHORD 2x4 SP No.2
BOT CHORD 2x4 SP No.2
OTHERS 2x4 SP No.3

BRACING
TOP CHORD 2-0-0 oc purlins (7-4-9 max.).
BOT CHORD Rigid ceiling directly applied or 6-0-0 oc bracing.

REACTIONS (size) 6=12-6-0, 7=12-6-0, 8=12-6-0
Max Horiz 8=39 (LC 12)
Max Uplift 6=-310 (LC 13), 7=-13 (LC 8),
8=-309 (LC 12)
Max Grav 6=678 (LC 26), 7=130 (LC 1),
8=678 (LC 25)

FORCES (lb) - Maximum Compression/Maximum Tension
TOP CHORD 1-2=-634/730, 2-3=-479/678, 3-4=-479/678,
4-5=-634/730
BOT CHORD 1-8=-667/623, 7-8=-667/623, 6-7=-667/623,
5-6=-667/623
WEBS 3-7=-260/185, 2-8=-405/400, 4-6=-405/400

- NOTES**
- Unbalanced roof live loads have been considered for this design.
 - Wind: ASCE 7-22; Vult=130mph (3-second gust) Vasd=101mph; TCDL=4.2psf; BCDL=3.0psf; h=18ft; Cat. II; Exp C; Enclosed; MWFRS (envelope) exterior (2) zone and C-C Zone3 zone; cantilever left and right exposed ;C-C for members and forces & MWFRS for reactions shown; Lumber DOL=1.60 plate grip DOL=1.60
 - Truss designed for wind loads in the plane of the truss only. For studs exposed to wind (normal to the face), see Standard Industry Gable End Details as applicable, or consult qualified building designer as per ANSI/TPI 1.
 - Building Designer / Project engineer responsible for verifying applied roof live load shown covers rain loading requirements specific to the use of this truss component.
 - Gable studs spaced at 2-0-0 oc.

- This truss has been designed for a 10.0 psf bottom chord live load nonconcurrent with any other live loads.
 - * This truss has been designed for a live load of 20.0psf on the bottom chord in all areas where a rectangle 3-06-00 tall by 2-00-00 wide will fit between the bottom chord and any other members.
 - Provide mechanical connection (by others) of truss to bearing plate capable of withstanding 13 lb uplift at joint 7, 309 lb uplift at joint 8 and 310 lb uplift at joint 6.
 - N/A
 - Graphical purlin representation does not depict the size or the orientation of the purlin along the top and/or bottom chord.
- LOAD CASE(S)** Standard

This item has been digitally signed and sealed by ORegan, Philip, PE on the date indicated here. Printed copies of this document are not considered signed and sealed and the signature must be verified on any electronic copies.

Philip J. O'Regan PE No.58126
MiTek Inc. DBA MiTek USA FL Cert 6634
16023 Swingley Ridge Rd. Chesterfield, MO 63017
Date:

March 10,2026

WARNING - Verify design parameters and READ NOTES ON THIS AND INCLUDED MITEK REFERENCE PAGE MII-7473 rev. 1/2/2023 BEFORE USE.

Design valid for use only with MiTek® connectors. This design is based only upon parameters shown, and is for an individual building component, not a truss system. Before use, the building designer must verify the applicability of design parameters and properly incorporate this design into the overall building design. Bracing indicated is to prevent buckling of individual truss web and/or chord members only. Additional temporary and permanent bracing is always required for stability and to prevent collapse with possible personal injury and property damage. For general guidance regarding the fabrication, storage, delivery, erection and bracing of trusses and truss systems, see **ANSI/TPI1 Quality Criteria and DSB-22** available from Truss Plate Institute (www.tpinst.org) and **BCSI Building Component Safety Information** available from the Structural Building Component Association (www.sbcsccomponents.com)

MiTek®

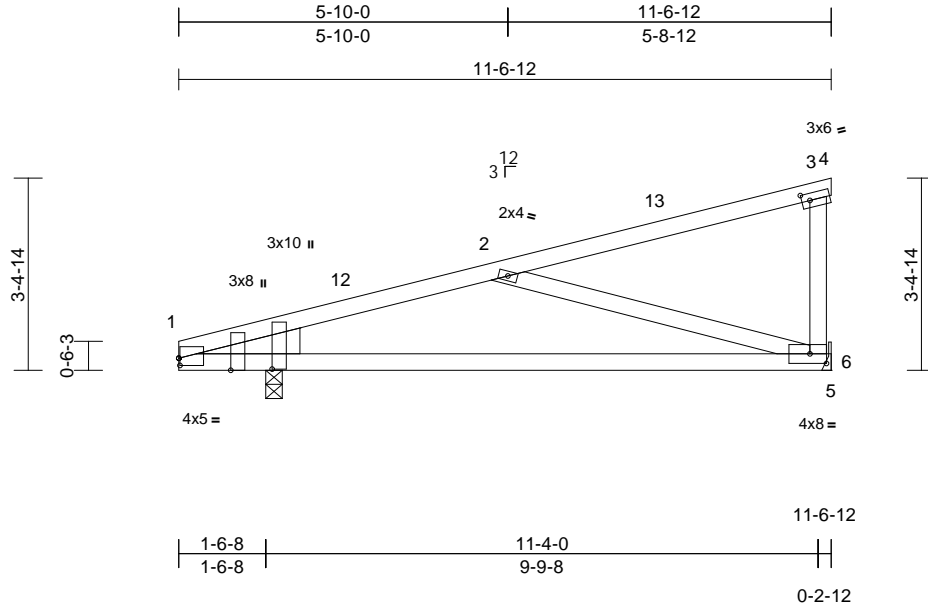
16023 Swingley Ridge Rd.
Chesterfield, MO 63017
314.434.1200 / MiTek-US.com

Job 5307575	Truss T05	Truss Type Monopitch	Qty 18	Ply 1	Job Reference (optional) T40400381
----------------	--------------	-------------------------	-----------	----------	---------------------------------------

Builders FirstSource (Lake City,FL), Lake City, FL - 32055,

Run: 8.83 S Jan 22 2026 Print: 8.830 S Jan 22 2026 MiTek Industries, Inc. Mon Mar 09 17:00:36
ID:umEANCM3rlafAU?V6?JC2zcdzj-RfC?PsB70Hq3NSgPqnL8w3uITXbGKWrCDoi7J4zJC?f

Page: 1



Scale = 1:40.8
Plate Offsets (X, Y): [1:0-0-4,0-1-8], [1:0-2-9,Edge], [1:0-2-5,1-7-14], [3:0-1-12,0-1-8], [6:0-3-8,0-2-1]

Loading	(psf)	Spacing	2-0-0	CSI	DEFL	in	(loc)	l/defl	L/d	PLATES	GRIP	
TCLL (roof)	20.0	Plate Grip DOL	1.25	TC	0.77	Vert(LL)	-0.15	6-11	>879	240	MT20	244/190
TCDL	10.0	Lumber DOL	1.25	BC	0.69	Vert(CT)	-0.29	6-11	>463	180		
BCLL	0.0*	Rep Stress Incr	YES	WB	0.35	Horz(CT)	0.01	6	n/a	n/a		
BCDL	10.0	Code	FBC2023/TPI2014	Matrix-MS							Weight: 52 lb	FT = 20%

LUMBER
TOP CHORD 2x4 SP No.2
BOT CHORD 2x4 SP No.2
WEBS 2x4 SP No.3
WEDGE Left: 2x6 SP No.2

BRACING
TOP CHORD Structural wood sheathing directly applied or 6-0-0 oc purlins, except end verticals.
BOT CHORD Rigid ceiling directly applied or 8-1-1 oc bracing.

REACTIONS (size) 1=0-3-8, 6= Mechanical
Max Horiz 1=140 (LC 8)
Max Uplift 1=-201 (LC 8), 6=-194 (LC 8)
Max Grav 1=525 (LC 1), 6=391 (LC 1)

FORCES (lb) - Maximum Compression/Maximum Tension
TOP CHORD 1-2=-617/382, 2-3=-108/0, 3-4=-1/0, 3-6=-165/273
BOT CHORD 1-6=-507/573, 5-6=0/0
WEBS 2-6=-528/489

- NOTES**
- Unbalanced roof live loads have been considered for this design.
 - Wind: ASCE 7-22; Vult=130mph (3-second gust) Vasd=101mph; TC DL=4.2psf; BCDL=3.0psf; h=18ft; Cat. II; Exp C; Enclosed; MWFRS (envelope) exterior (2) zone and C-C Zone3 0-0-0 to 3-0-0, Zone1 3-0-0 to 11-6-12 zone; cantilever left exposed ;C-C for members and forces & MWFRS for reactions shown; Lumber DOL=1.60 plate grip DOL=1.60
 - Building Designer / Project engineer responsible for verifying applied roof live load shown covers rain loading requirements specific to the use of this truss component.
 - This truss has been designed for a 10.0 psf bottom chord live load nonconcurrent with any other live loads.


- * This truss has been designed for a live load of 20.0psf on the bottom chord in all areas where a rectangle 3-06-00 tall by 2-00-00 wide will fit between the bottom chord and any other members.
- Refer to girder(s) for truss to truss connections.
- Provide mechanical connection (by others) of truss to bearing plate capable of withstanding 194 lb uplift at joint 6 and 201 lb uplift at joint 1.

LOAD CASE(S) Standard

This item has been digitally signed and sealed by ORegan, Philip, PE on the date indicated here. Printed copies of this document are not considered signed and sealed and the signature must be verified on any electronic copies.

Philip J. O'Regan PE No.58126
MiTek Inc. DBA MiTek USA FL Cert 6634
16023 Swingley Ridge Rd. Chesterfield, MO 63017
Date:

March 10,2026

<p>WARNING - Verify design parameters and READ NOTES ON THIS AND INCLUDED MITEK REFERENCE PAGE MII-7473 rev. 1/2/2023 BEFORE USE.</p> <p>Design valid for use only with MiTek® connectors. This design is based only upon parameters shown, and is for an individual building component, not a truss system. Before use, the building designer must verify the applicability of design parameters and properly incorporate this design into the overall building design. Bracing indicated is to prevent buckling of individual truss web and/or chord members only. Additional temporary and permanent bracing is always required for stability and to prevent collapse with possible personal injury and property damage. For general guidance regarding the fabrication, storage, delivery, erection and bracing of trusses and truss systems, see ANSI/TPI1 Quality Criteria and DSB-22 available from Truss Plate Institute (www.tpinst.org) and BCSI Building Component Safety Information available from the Structural Building Component Association (www.sbcsccomponents.com)</p>	 <p>16023 Swingley Ridge Rd. Chesterfield, MO 63017 314.434.1200 / MiTek-US.com</p>
--	--

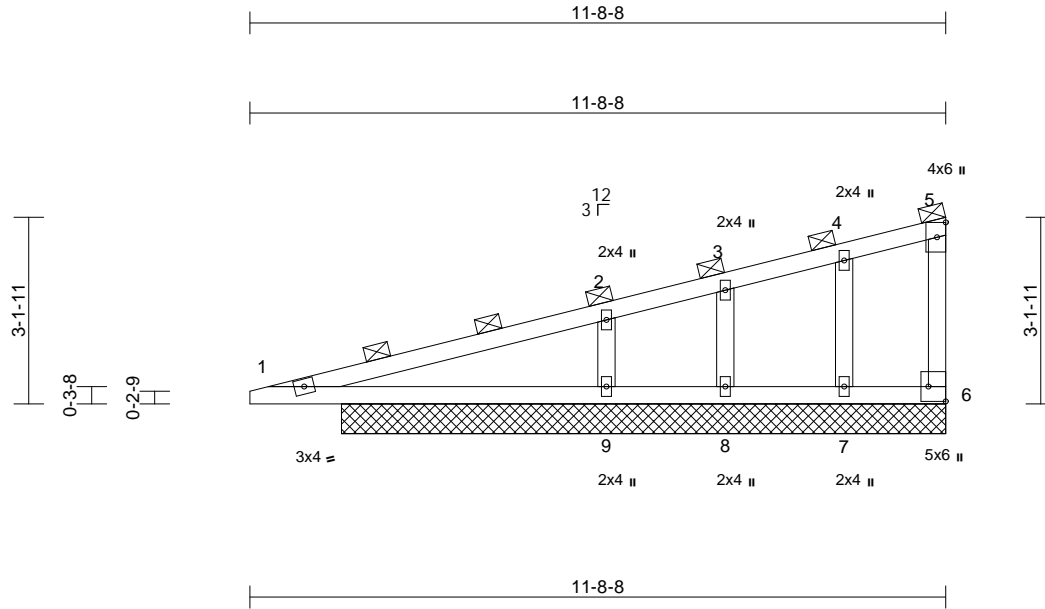
Job 5307575	Truss T05G	Truss Type Monopitch Supported Gable	Qty 2	Ply 1	Job Reference (optional)	T40400382
----------------	---------------	---	----------	----------	--------------------------	-----------

Builders FirstSource (Lake City,FL), Lake City, FL - 32055,

Run: 8.83 S Jan 22 2026 Print: 8.830 S Jan 22 2026 MiTek Industries, Inc. Mon Mar 09 17:00:36

Page: 1

ID:Rq?vzdpP278s8NV0vF8wwrzcwY-RfC?PsB70Hq3NSgPqnL8w3ulTXbGKwRcDoi7J4zJC?f



Scale = 1:38.8

Plate Offsets (X, Y): [6:Edge,0-3-8]

Loading	(psf)	Spacing	2-0-0	CSI	DEFL	in	(loc)	l/defl	L/d	PLATES	GRIP	
TCLL (roof)	20.0	Plate Grip DOL	1.25	TC	0.98	Vert(LL)	n/a	-	n/a	999	MT20	244/190
TCDL	10.0	Lumber DOL	1.25	BC	0.93	Vert(TL)	n/a	-	n/a	999		
BCLL	0.0*	Rep Stress Incr	YES	WB	0.22	Horiz(TL)	0.00	6	n/a	n/a		
BCDL	10.0	Code	FBC2023/TPI2014	Matrix-MS							Weight: 46 lb	FT = 20%

LUMBER	
TOP CHORD	2x4 SP No.1
BOT CHORD	2x4 SP No.1
WEBS	2x4 SP No.3
OTHERS	2x4 SP No.3
BRACING	
TOP CHORD	2-0-0 oc purlins (6-9-5 max.), except end verticals.
BOT CHORD	Rigid ceiling directly applied or 6-0-0 oc bracing, Except: 2-2-0 oc bracing: 1-9.
REACTIONS	
(size)	6=10-2-0, 7=10-2-0, 8=10-2-0, 9=10-2-0
Max Horiz	9=137 (LC 8)
Max Uplift	6=-303 (LC 1), 7=-251 (LC 8), 8=-731 (LC 1), 9=-417 (LC 8)
Max Grav	6=75 (LC 8), 7=774 (LC 1), 8=208 (LC 8), 9=1158 (LC 1)
FORCES	
(lb) - Maximum Compression/Maximum Tension	
TOP CHORD	5-6=-57/113, 1-2=-419/222, 2-3=-168/95, 3-4=-214/202, 4-5=-105/124
BOT CHORD	1-9=-183/403, 8-9=-157/119, 7-8=-157/119, 6-7=-157/119
WEBS	2-9=-642/733, 3-8=-205/321, 4-7=-414/435

- Truss designed for wind loads in the plane of the truss only. For studs exposed to wind (normal to the face), see Standard Industry Gable End Details as applicable, or consult qualified building designer as per ANSI/TPI 1.
- Building Designer / Project engineer responsible for verifying applied roof live load shown covers rain loading requirements specific to the use of this truss component.
- Gable studs spaced at 2-0-0 oc.
- This truss has been designed for a 10.0 psf bottom chord live load nonconcurrent with any other live loads.
- * This truss has been designed for a live load of 20.0psf on the bottom chord in all areas where a rectangle 3-06-00 tall by 2-00-00 wide will fit between the bottom chord and any other members.
- Provide mechanical connection (by others) of truss to bearing plate capable of withstanding 303 lb uplift at joint 6, 417 lb uplift at joint 9, 731 lb uplift at joint 8 and 251 lb uplift at joint 7.
- N/A
- Graphical purlin representation does not depict the size or the orientation of the purlin along the top and/or bottom chord.

LOAD CASE(S) Standard

- NOTES**
- Unbalanced roof live loads have been considered for this design.
 - Wind: ASCE 7-22; Vult=130mph (3-second gust) Vasd=101mph; TC DL=4.2psf; BC DL=3.0psf; h=18ft; Cat. II; Exp C; Enclosed; MWFRS (envelope) exterior (2) zone and C-C Zone3 zone; cantilever left exposed ;C-C for members and forces & MWFRS for reactions shown; Lumber DOL=1.60 plate grip DOL=1.60

This item has been digitally signed and sealed by ORegan, Philip, PE on the date indicated here. Printed copies of this document are not considered signed and sealed and the signature must be verified on any electronic copies.

Philip J. O'Regan PE No.58126
MiTek Inc. DBA MiTek USA FL Cert 6634
16023 Swingley Ridge Rd. Chesterfield, MO 63017
Date:

March 10,2026

WARNING - Verify design parameters and READ NOTES ON THIS AND INCLUDED MITEK REFERENCE PAGE MII-7473 rev. 1/2/2023 BEFORE USE.

Design valid for use only with MiTek® connectors. This design is based only upon parameters shown, and is for an individual building component, not a truss system. Before use, the building designer must verify the applicability of design parameters and properly incorporate this design into the overall building design. Bracing indicated is to prevent buckling of individual truss web and/or chord members only. Additional temporary and permanent bracing is always required for stability and to prevent collapse with possible personal injury and property damage. For general guidance regarding the fabrication, storage, delivery, erection and bracing of trusses and truss systems, see **ANSI/TPI1 Quality Criteria and DSB-22** available from Truss Plate Institute (www.tpinst.org) and **BCSI Building Component Safety Information** available from the Structural Building Component Association (www.sbcsccomponents.com)

MiTek®

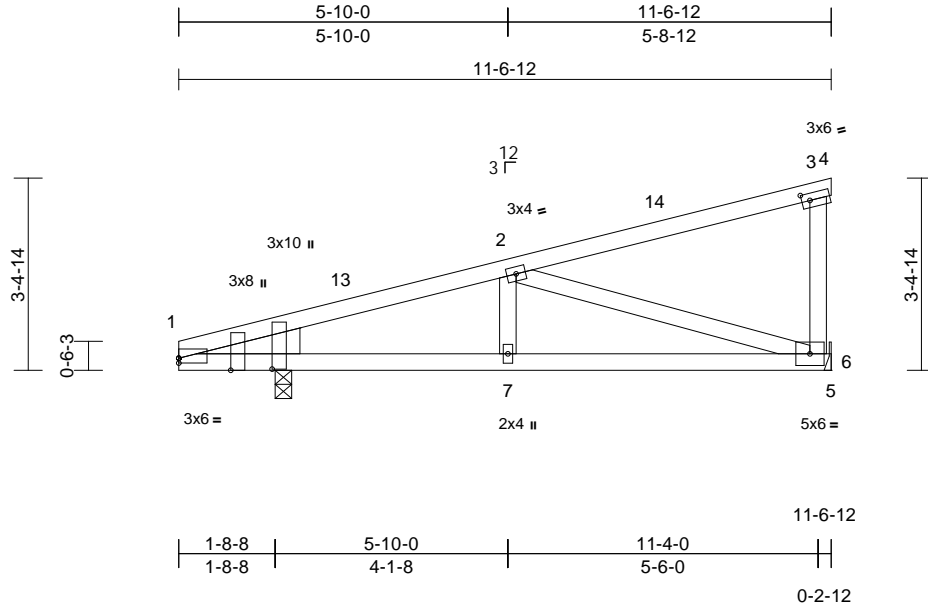
16023 Swingley Ridge Rd.
Chesterfield, MO 63017
314.434.1200 / MiTek-US.com

Job 5307575	Truss T06	Truss Type Monopitch	Qty 36	Ply 1	Job Reference (optional)	T40400383
----------------	--------------	-------------------------	-----------	----------	--------------------------	-----------

Builders FirstSource (Lake City,FL), Lake City, FL - 32055,

Run: 8.83 S Jan 22 2026 Print: 8.830 S Jan 22 2026 MiTek Industries, Inc. Mon Mar 09 17:00:36
ID:7LxGdwDjcMaOP0ZPY?bf3Czdli-RfC?PsB70Hq3NSgPqnL8w3uITXbGKWrCDoi7J4zJC?f

Page: 1



Scale = 1:40.8

Plate Offsets (X, Y): [1:Edge,0-1-0], [1:0-2-9,Edge], [1:0-2-5,1-7-14], [3:0-1-12,0-1-8]

Loading	(psf)	Spacing	2-0-0	CSI	DEFL	in	(loc)	l/defl	L/d	PLATES	GRIP	
TCLL (roof)	20.0	Plate Grip DOL	1.25	TC	0.54	Vert(LL)	0.07	6-7	>999	240	MT20	244/190
TCDL	10.0	Lumber DOL	1.25	BC	0.51	Vert(CT)	-0.08	6-7	>999	180		
BCLL	0.0*	Rep Stress Incr	YES	WB	0.31	Horz(CT)	-0.01	6	n/a	n/a		
BCDL	10.0	Code	FBC2023/TPI2014	Matrix-MS							Weight: 54 lb	FT = 20%

LUMBER

- TOP CHORD 2x4 SP No.2
- BOT CHORD 2x4 SP No.2
- WEBS 2x4 SP No.3
- WEDGE Left: 2x6 SP No.2

BRACING

- TOP CHORD Structural wood sheathing directly applied or 6-0-0 oc purlins, except end verticals.
- BOT CHORD Rigid ceiling directly applied or 6-10-3 oc bracing.

REACTIONS

- (size) 1=0-3-8, 6= Mechanical
- Max Horiz 1=140 (LC 8)
- Max Uplift 1=-360 (LC 8), 6=-299 (LC 8)
- Max Grav 1=534 (LC 1), 6=382 (LC 1)

FORCES

- (lb) - Maximum Compression/Maximum Tension
- TOP CHORD 1-2=-577/541, 2-3=-95/19, 3-4=-1/0, 3-6=-162/255
- BOT CHORD 1-7=-662/527, 6-7=-662/527, 5-6=0/0
- WEBS 2-6=-494/617, 2-7=-77/152

NOTES

- Unbalanced roof live loads have been considered for this design.
- Wind: ASCE 7-22; Vult=130mph (3-second gust) Vasd=101mph; TC DL=4.2psf; BC DL=3.0psf; h=18ft; Cat. II; Exp C; Enclosed; MWFRS (envelope) exterior (2) zone and C-C Zone3 0-0-0 to 3-0-0, Zone1 3-0-0 to 11-6-12 zone; cantilever left exposed; porch left and right exposed; C-C for members and forces & MWFRS for reactions shown; Lumber DOL=1.60 plate grip DOL=1.60
- Building Designer / Project engineer responsible for verifying applied roof live load shown covers rain loading requirements specific to the use of this truss component.
- This truss has been designed for a 10.0 psf bottom chord live load nonconcurrent with any other live loads.

- * This truss has been designed for a live load of 20.0psf on the bottom chord in all areas where a rectangle 3-06-00 tall by 2-00-00 wide will fit between the bottom chord and any other members.
- Refer to girder(s) for truss to truss connections.
- Provide mechanical connection (by others) of truss to bearing plate capable of withstanding 299 lb uplift at joint 6 and 360 lb uplift at joint 1.

LOAD CASE(S) Standard

This item has been digitally signed and sealed by ORegan, Philip, PE on the date indicated here. Printed copies of this document are not considered signed and sealed and the signature must be verified on any electronic copies.

Philip J. O'Regan PE No.58126
MiTek Inc. DBA MiTek USA FL Cert 6634
16023 Swingley Ridge Rd. Chesterfield, MO 63017
Date:

March 10,2026

WARNING - Verify design parameters and READ NOTES ON THIS AND INCLUDED MITEK REFERENCE PAGE MII-7473 rev. 1/2/2023 BEFORE USE.

Design valid for use only with MiTek® connectors. This design is based only upon parameters shown, and is for an individual building component, not a truss system. Before use, the building designer must verify the applicability of design parameters and properly incorporate this design into the overall building design. Bracing indicated is to prevent buckling of individual truss web and/or chord members only. Additional temporary and permanent bracing is always required for stability and to prevent collapse with possible personal injury and property damage. For general guidance regarding the fabrication, storage, delivery, erection and bracing of trusses and truss systems, see **ANSI/TPI1 Quality Criteria and DSB-22** available from Truss Plate Institute (www.tpinst.org) and **BCSI Building Component Safety Information** available from the Structural Building Component Association (www.sbcsccomponents.com)

MiTek®

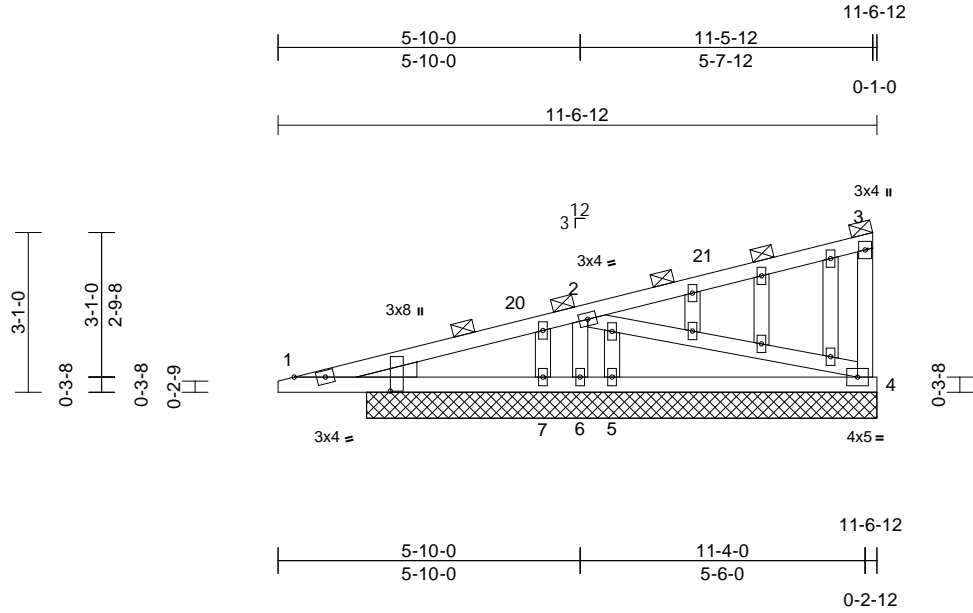
16023 Swingley Ridge Rd.
Chesterfield, MO 63017
314.434.1200 / MiTek-US.com

Job 5307575	Truss T06G	Truss Type Monopitch	Qty 2	Ply 1	Job Reference (optional)	T40400384
----------------	---------------	-------------------------	----------	----------	--------------------------	-----------

Builders FirstSource (Lake City,FL), Lake City, FL - 32055,

Run: 8.83 E Feb 18 2025 Print: 8.830 E Feb 18 2025 MiTek Industries, Inc. Tue Mar 10 09:58:53
ID:JtpO2e6SlnwXLJ7fi6eUV5zcdOb-a_uXgxNriLYgSwGCn4HmQzI6vwX?UsCxSMDQfKzcN9H

Page: 1



Scale = 1:44.5

Plate Offsets (X, Y): [1:0-5-0,0-0-4], [1:0-3-4,1-10-4]

Loading	(psf)	Spacing	2-0-0	CSI	DEFL	in	(loc)	l/defl	L/d	PLATES	GRIP	
TCLL (roof)	20.0	Plate Grip DOL	1.25	TC	0.36	Vert(LL)	n/a	-	n/a	999	MT20	244/190
TCDL	10.0	Lumber DOL	1.25	BC	0.20	Vert(TL)	n/a	-	n/a	999		
BCLL	0.0*	Rep Stress Incr	YES	WB	0.10	Horiz(TL)	0.00	4	n/a	n/a		
BCDL	10.0	Code	FBC2023/TPI2014	Matrix-MS							Weight: 58 lb	FT = 20%

LUMBER	
TOP CHORD	2x4 SP No.2
BOT CHORD	2x4 SP No.2
WEBS	2x4 SP No.3
OTHERS	2x4 SP No.3
WEDGE	Left: 2x4 SP No.3
BRACING	
TOP CHORD	2-0-0 oc purlins (6-0-0 max.), except end verticals.
BOT CHORD	Rigid ceiling directly applied or 10-0-0 oc bracing.
REACTIONS (lb/size)	
	1=164/9-10-4, 4=191/9-10-4, 5=162/9-10-4, 6=168/9-10-4, 7=113/9-10-4
Max Horiz	1=117 (LC 8)
Max Uplift	1=-18 (LC 8), 4=-104 (LC 8), 6=-223 (LC 8), 7=-24 (LC 8)
Max Grav	1=166 (LC 3), 4=191 (LC 1), 5=326 (LC 3), 6=168 (LC 1), 7=164 (LC 3)
FORCES (lb) - Maximum Compression/Maximum Tension	
TOP CHORD	3-4=-140/222, 1-20=-77/19, 2-20=-72/23, 2-21=-73/0, 3-21=-30/7
BOT CHORD	1-7=-145/65, 6-7=-145/65, 5-6=-145/65, 4-5=-145/65
WEBS	2-4=-44/130, 2-6=-318/341

- NOTES**
- Unbalanced roof live loads have been considered for this design.
 - Wind: ASCE 7-22; Vult=130mph (3-second gust) Vasd=101mph; TC DL=4.2psf; BCDL=3.0psf; h=18ft; Cat. II; Exp C; Enclosed; MWFRS (envelope) exterior (2) zone and C-C Zone3 1-8-8 to 4-8-8, Zone1 4-8-8 to 11-4-0 zone; cantilever left exposed ; porch left and right exposed;C-C for members and forces & MWFRS for reactions shown; Lumber DOL=1.60 plate grip DOL=1.60

- Truss designed for wind loads in the plane of the truss only. For studs exposed to wind (normal to the face), see Standard Industry Gable End Details as applicable, or consult qualified building designer as per ANSI/TPI 1.
- Building Designer / Project engineer responsible for verifying applied roof live load shown covers rain loading requirements specific to the use of this truss component.
- All plates are 2x4 (||) MT20 unless otherwise indicated.
- Gable studs spaced at 1-4-0 oc.
- This truss has been designed for a 10.0 psf bottom chord live load nonconcurrent with any other live loads.
- * This truss has been designed for a live load of 20.0psf on the bottom chord in all areas where a rectangle 3-06-00 tall by 2-00-00 wide will fit between the bottom chord and any other members.
- Provide mechanical connection (by others) of truss to bearing plate capable of withstanding 104 lb uplift at joint 4, 18 lb uplift at joint 1, 223 lb uplift at joint 6, 24 lb uplift at joint 7 and 18 lb uplift at joint 1.
- N/A
- Graphical purlin representation does not depict the size or the orientation of the purlin along the top and/or bottom chord.

LOAD CASE(S) Standard

This item has been digitally signed and sealed by ORegan, Philip, PE on the date indicated here. Printed copies of this document are not considered signed and sealed and the signature must be verified on any electronic copies.

Philip J. O'Regan PE No.58126
MiTek Inc. DBA MiTek USA FL Cert 6634
16023 Swingley Ridge Rd. Chesterfield, MO 63017
Date:

March 10,2026

WARNING - Verify design parameters and READ NOTES ON THIS AND INCLUDED MITEK REFERENCE PAGE MII-7473 rev. 1/2/2023 BEFORE USE.

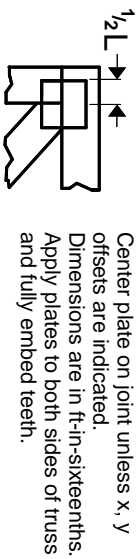
Design valid for use only with MiTek® connectors. This design is based only upon parameters shown, and is for an individual building component, not a truss system. Before use, the building designer must verify the applicability of design parameters and properly incorporate this design into the overall building design. Bracing indicated is to prevent buckling of individual truss web and/or chord members only. Additional temporary and permanent bracing is always required for stability and to prevent collapse with possible personal injury and property damage. For general guidance regarding the fabrication, storage, delivery, erection and bracing of trusses and truss systems, see **ANSI/TPI1 Quality Criteria and DSB-22** available from Truss Plate Institute (www.tpinst.org) and **BCSI Building Component Safety Information** available from the Structural Building Component Association (www.sbcsccomponents.com)

MiTek®

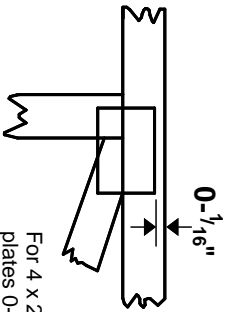
16023 Swingley Ridge Rd.
Chesterfield, MO 63017
314.434.1200 / MiTek-US.com

Symbols

PLATE LOCATION AND ORIENTATION



Center plate on joint unless x, y offsets are indicated. Dimensions are in ft-in-sixteenths. Apply plates to both sides of truss and fully embed teeth.



For 4 x 2 orientation, locate plates 0- 1/16" from outside edge of truss.



This symbol indicates the required direction of slots in connector plates.

* Plate location details available in MITtek software or upon request.

PLATE SIZE

4 X 4

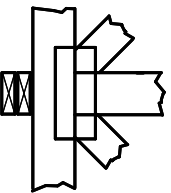
The first dimension is the plate width measured perpendicular to slots. Second dimension is the length parallel to slots.

LATERAL BRACING LOCATION



Indicated by symbol shown and/or by text in the bracing section of the output. Use T or I bracing if indicated.

BEARING

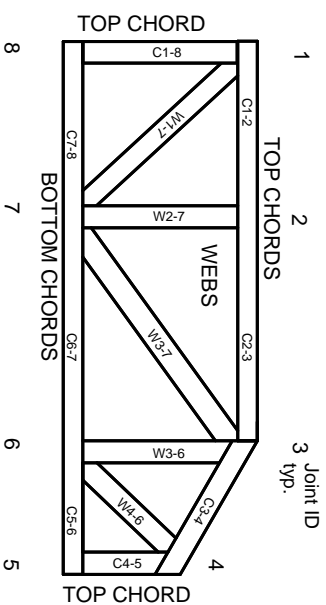


Indicates location where bearings (supports) occur. Icons vary but reaction section indicates joint number/letter where bearings occur. Min size shown is for crushing only.

Industry Standards:

ANSI/TFP1: National Design Specification for Metal Plate Connected Wood Truss Construction.
DSB-22: Design Standard for Bracing.
BCSI: Building Component Safety Information, Guide to Good Practice for Handling, Installing, Restraining & Bracing of Metal Plate Connected Wood Trusses.

Numbering System



JOINTS ARE GENERALLY NUMBERED/LETTERED CLOCKWISE AROUND THE TRUSS STARTING AT THE JOINT FARTHEST TO THE LEFT.

CHORDS AND WEBS ARE IDENTIFIED BY END JOINT NUMBERS/LETTERS.

Product Code Approvals

ICC-ES Reports:

ESR-1-1988, ESR-2-362, ESR-2-685, ESR-3-282
ESR-4-722, ESL-1-388

Design General Notes

Trusses are designed for wind loads in the plane of the truss unless otherwise shown.

Lumber design values are in accordance with ANSI/TFP 1 section 6.3. These truss designs rely on Lumber values established by others.

© 2023 MITtek® All Rights Reserved

General Safety Notes

Failure to Follow Could Cause Property Damage or Personal Injury

1. Additional stability/bracing for truss system, e.g. diagonal or X-bracing, is always required. See BCSI.
2. Truss bracing must be designed by an engineer. For wide truss spacing, individual lateral braces themselves may require bracing, or alternative Tor I bracing should be considered.
3. Never exceed the design loading shown and never stack materials on inadequately braced trusses.
4. Provide copies of this truss design to the building designer, erection supervisor, property owner and all other interested parties.
5. Cut members to bear tightly against each other.
6. Place plates on each face of truss at each joint and embed fully. Knots and wane at joint locations are regulated by ANSI/TFP 1.
7. Design assumes trusses will be suitably protected from the environment in accord with ANSI/TFP 1.
8. Unless otherwise noted, moisture content of lumber shall not exceed 19% at time of fabrication.
9. Unless expressly noted, this design is not applicable for use with fire retardant, preservative treated, or green lumber.
10. Camber is a non-structural consideration and is the responsibility of truss fabricator. General practice is to camber for dead load deflection.
11. Plate type, size, orientation and location dimensions indicated are minimum plating requirements.
12. Lumber used shall be of the species and size, and in all respects, equal to or better than that specified.
13. Top chords must be sheathed or purlins provided at spacing indicated on design.
14. Bottom chords require lateral bracing at 10 ft. spacing, or less, if no ceiling is installed, unless otherwise noted.
15. Connections not shown are the responsibility of others.
16. Do not cut or alter truss member or plate without prior approval of an engineer.
17. Install and load vertically unless indicated otherwise.
18. Use of green or treated lumber may pose unacceptable environmental, health or performance risks. Consult with project engineer before use.
19. Review all portions of this design (front, back, words and pictures) before use. Reviewing pictures alone is not sufficient.
20. Design assumes manufacture in accordance with ANSI/TFP 1 Quality Criteria.
21. The design does not take into account any dynamic or other loads other than those expressly stated.

MITek®

MITtek Engineering Reference Sheet: Mill-7473 rev. 1/2/2023