

plastpro

5200 W. CENTURY BLVD.
LOS ANGELES, CA 90045

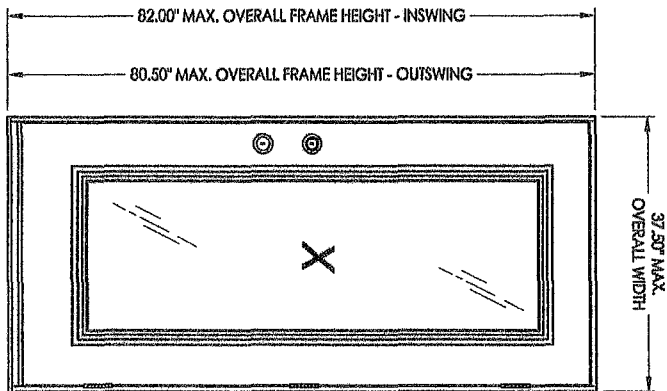
**Smooth / Wood Grain / White Wood Grain
Rustic / Mahogany
Series N Fiberglass Door
INSWING / OUTSWING
"NON-IMPACT"**

GENERAL NOTES

1. This product has been evaluated and is in compliance with the 2010 Florida Building Code (FBC) structural requirements excluding the "High Velocity Hurricane Zone" (HVHZ).
2. Product anchors shall be as listed and spaced as shown on details. Anchor embedment to base material shall be beyond wall dressing or stucco.
3. When used in areas requiring wind borne debris protection, this product is required to be protected with an impact resistant covering that complies with Section 1609.1.2 of the FBC.
4. For 2x stud framing construction, anchoring of these units shall be the same as that shown for 2x buck masonry construction.
5. Site conditions that deviate from the details of this drawing require further engineering analysis by a licensed engineer or registered architect.

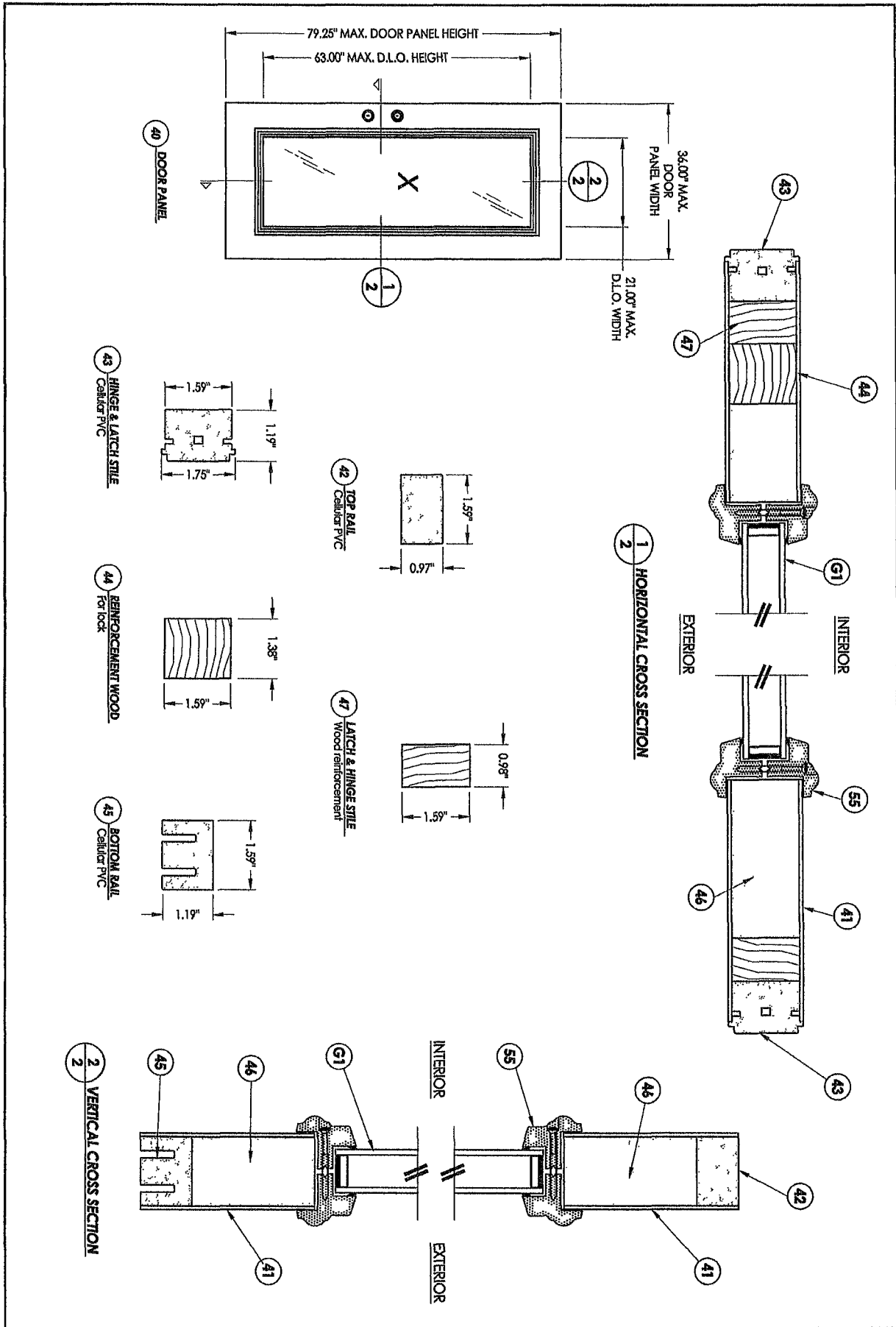
TABLE OF CONTENTS

SHEET #	DESCRIPTION
1	Typical elevation, design pressures & general notes
2	Door panel details
3	Horizontal cross sections
4	Vertical cross sections
5	Buck and frame anchoring - 2x buck masonry construction
6	Frame anchoring - 1x buck masonry construction
7	Bill of Materials, glazing detail & components

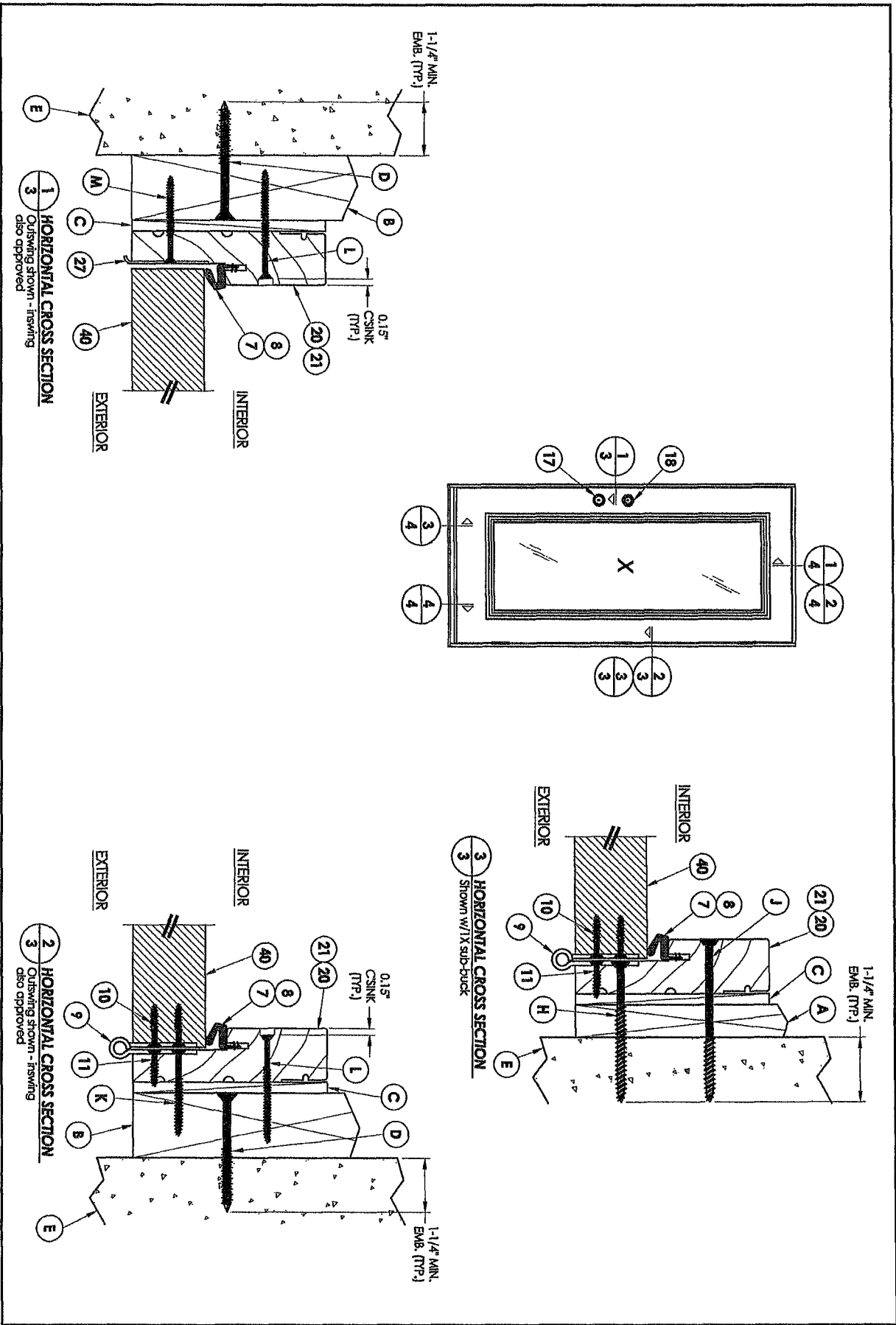


SWING	MAX. FRAME DIMENSION	GLASS TYPE	DESIGN PRESSURE (PSF)	
			POSITIVE	NEGATIVE
INSWING	37.50" x 82.00"	G1	+47.0	-50.0
OUTSWING	37.50" x 80.50"		+50.0	-50.0

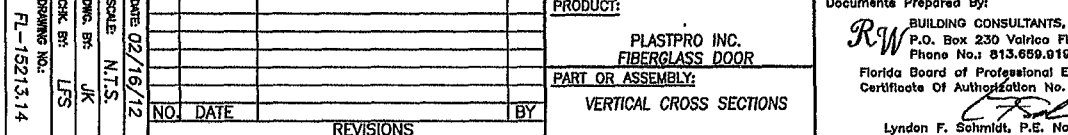
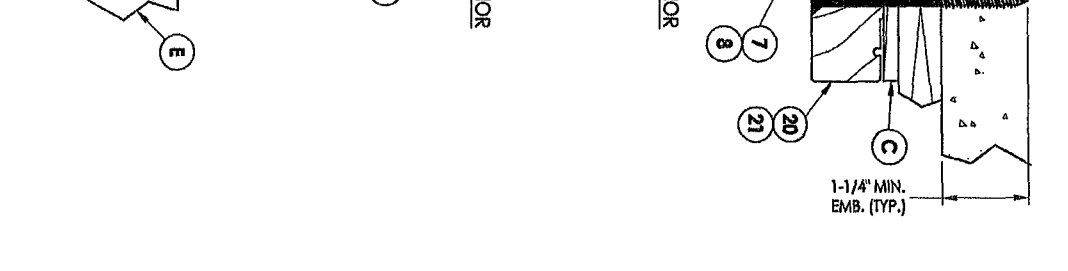
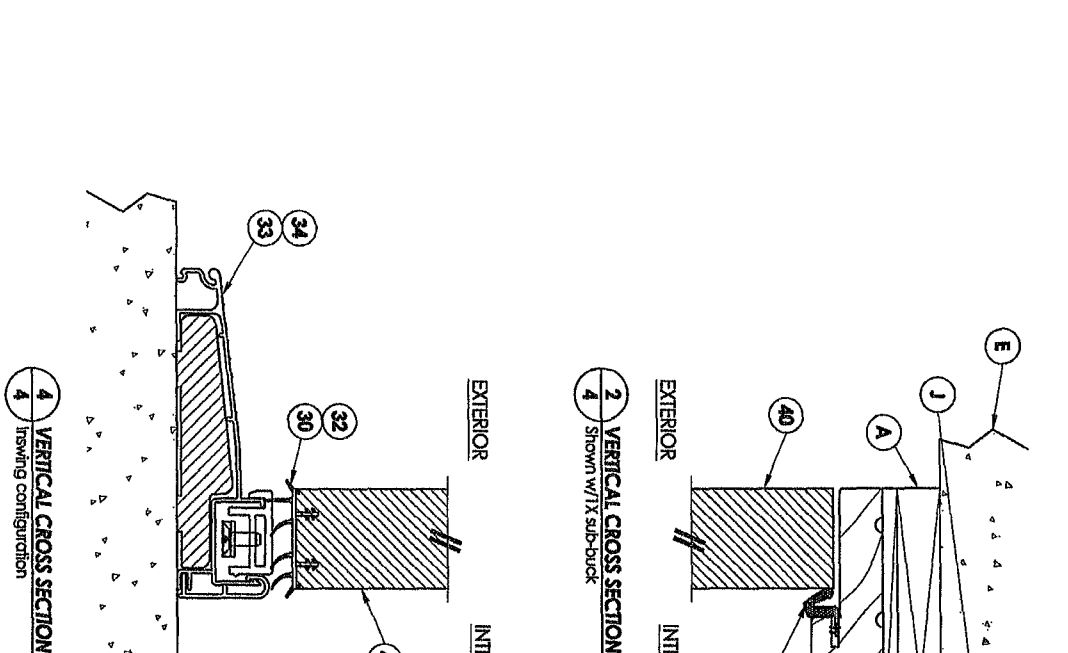
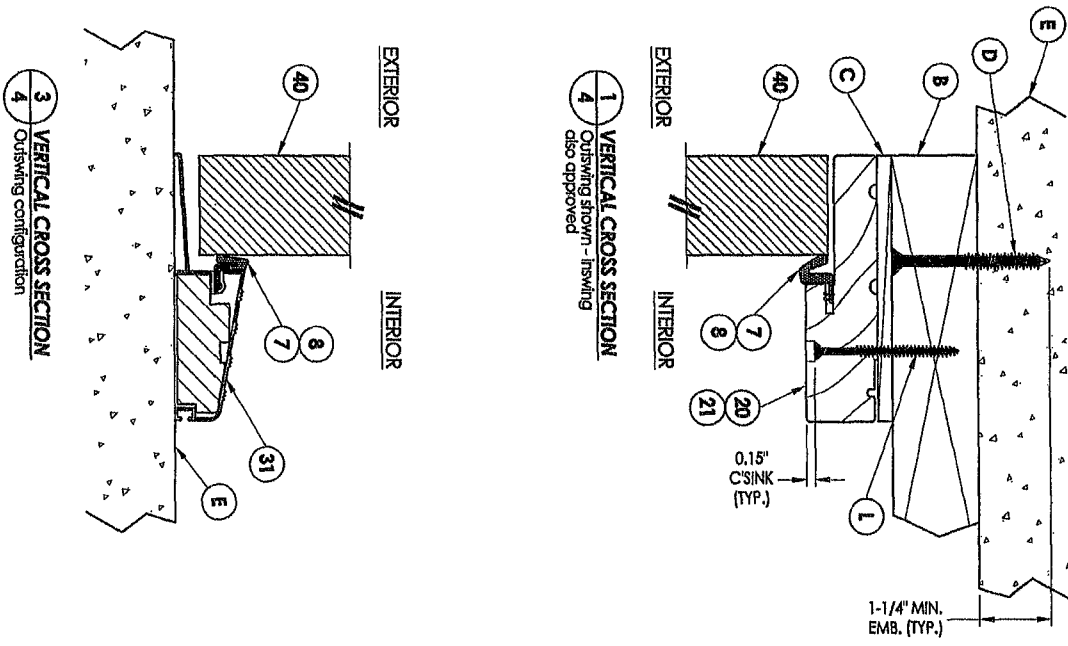
DATE: 02/16/12 SCALE: N.T.S. DRN. BR: JK CHK. BR: LFS DRAWING NO.: FL-15213.14 SHEET 1 of 7	PRODUCT: PLASTPRO INC. FIBERGLASS DOOR	Documents Prepared By: BUILDING CONSULTANTS, INC. P.O. Box 230 Vero Beach, FL 33595 Phone No.: 813.659.8197 Florida Board of Professional Engineers Certificate Of Authorization No. 9813 LFS 2.01.12 Lyndon F. Schmidt, P.E. No. 43400	
	PART OR ASSEMBLY: TYPICAL ELEVATION, DESIGN PRESSURES & GENERAL NOTES		
NO.	DATE	BY	REVISIONS



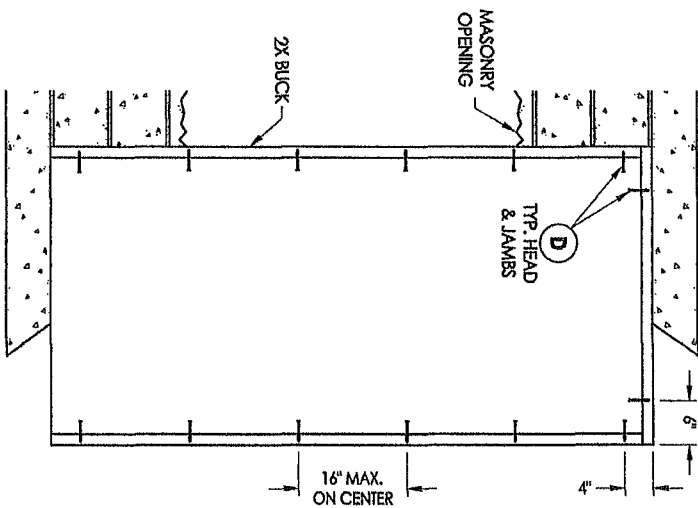
DATE: 02/16/12 SCALE: N.T.S. DWG. BY: JJK CHK. BY: LFS DRAWING NO.: FL-15213.14 SHEET 2 OF 7		PRODUCT: PLASTPRO INC. FIBERGLASS DOOR PART OR ASSEMBLY: DOOR PANEL DETAILS	Documents Prepared By: <i>RW</i> BUILDING CONSULTANTS, INC. P.O. Box 230 Valrico FL 33595 Phone No.: 813.659.9197 Florida Board of Professional Engineers Certificate of Authorization No. 9813 <i>LF</i> 2.17.12 Lyndon F. Schmidt, P.E. No. 43409
NO.	DATE	BY	REVISIONS



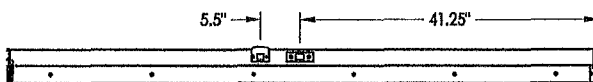
DATE: 02/16/12		PRODUCT: PLASTPRO INC. FIBERGLASS DOOR		Documents Prepared By: R W BUILDING CONSULTANTS, INC. P.O. Box 230 Valrico FL 33595 Phone No.: 813.859.9197	
SCALE: N.T.S.		PART OR ASSEMBLY: HORIZONTAL CROSS SECTIONS		Florida Board of Professional Engineers Certificate Of Authorization No. 9813	
CHK. BY: LFS		BY:		Lyndon F. Schmidt, P.E. No. 43409	
DRAWING NO.: FL-15213.14		NO. DATE		2.17.12	
SHEET 3 OF 7		REVISIONS			



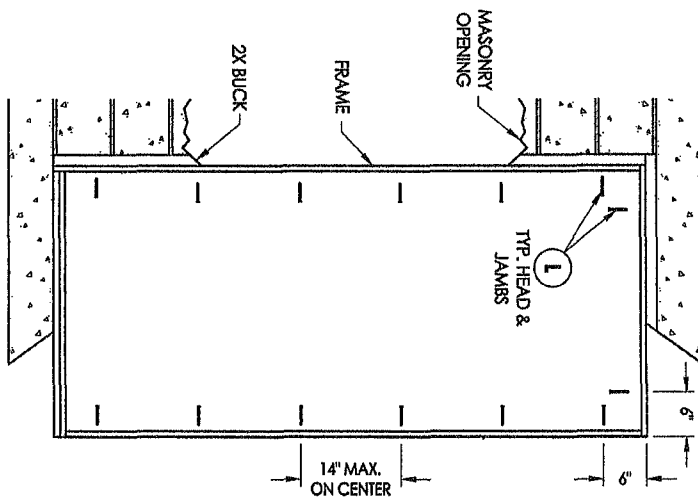
SHEET 4 OF 7	DRAWING NO.: FL-15213.14	CHK. BY: LJS	DATE: 02/16/12	SCALE: N.T.S.	NO.	DATE	REVISIONS	BY	PRODUCT:	Documents Prepared By: <i>RW</i> BUILDING CONSULTANTS, INC. P.O. Box 230 Vero Beach FL 33595 Phone No.: 813.659.0197 Florida Board of Professional Engineers Certificate Of Authorization No. 9813 <i>Lyndon F. Schmidt</i> 2-17-12 Lyndon F. Schmidt, P.E. No. 43409
									PART OR ASSEMBLY: VERTICAL CROSS SECTIONS	



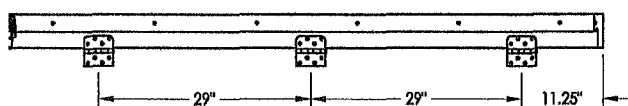
BUCK ANCHORING



STRIKE JAMB



FRAME ANCHORING
Masonry 2x BUCK construction

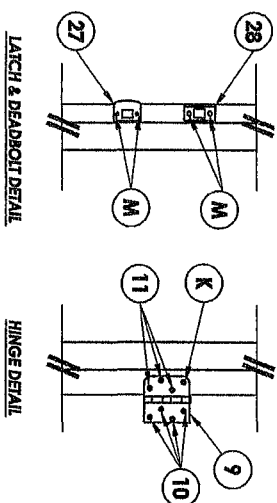


HINGE JAMB

CONCRETE ANCHOR NOTES:

1. Substitution of equal concrete anchors from a different supplier may have different edge distance and center distance requirements.
2. Concrete anchor locations of the corners may be adjusted to maintain the min. edge distance to mortar joints. If concrete anchor locations noted as "MAX. ON CENTER" must be adjusted to maintain the min. edge distance to mortar joints, additional concrete anchors may be required to ensure the "MAX. ON CENTER" dimensions are not exceeded.
3. Concrete anchor table:

ANCHOR TYPE	ANCHOR SIZE	MIN. EMBEDMENT	MIN. CLEARANCE TO MASONRY EDGE	MIN. CLEARANCE TO ADJACENT ANCHOR
ITW	1/4"	1-1/4"	2-1/2"	3"
ELCO	1/4"	1-1/4"	1"	4"



LATCH & DEADBOLT DETAIL

HINGE DETAIL

SHEET 5 OF 7
DRAWING NO.: FL-15213,14
CHK. BY: LJS

DATE 02/16/12
SCALE N.T.S.
DWS. BY: JK

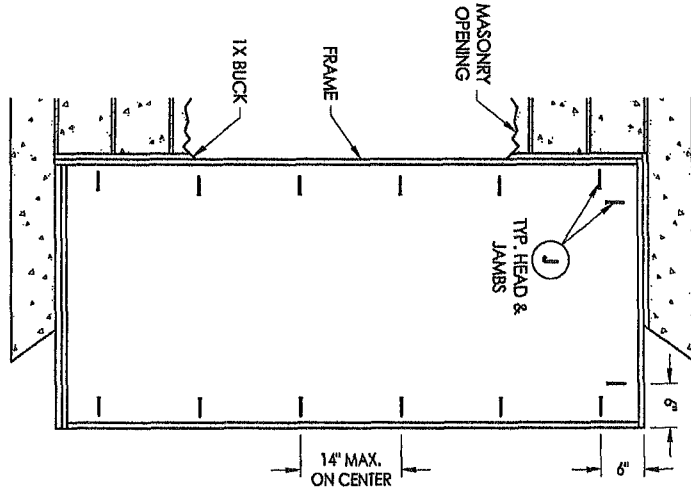
NO.	DATE	REVISIONS

PRODUCT:
PLASTPRO INC.
FIBERGLASS DOOR
PART OR ASSEMBLY:
BUCK AND FRAME ANCHORING 2X
BUCK MASONRY CONSTRUCTION

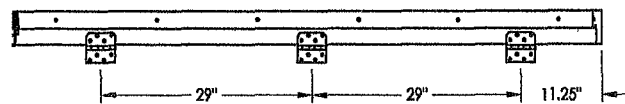
Documents Prepared By:
RW BUILDING CONSULTANTS, INC.
P.O. Box 230 Valrico FL 33595
Phone No.: 813.659.9197
Florida Board of Professional Engineers
Certificate of Authorization No. 9813
LJS 2.17.12
Lyndon F. Sohmlidt, P.E. No. 43409



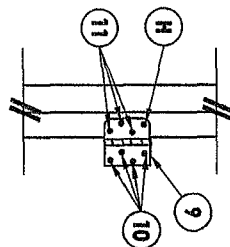
STRIKE JAMB



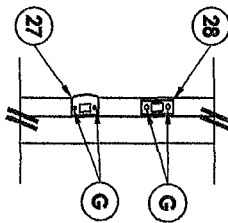
FRAME ANCHORING
Masonry 1x buck construction



HINGE JAMB



HINGE DETAIL



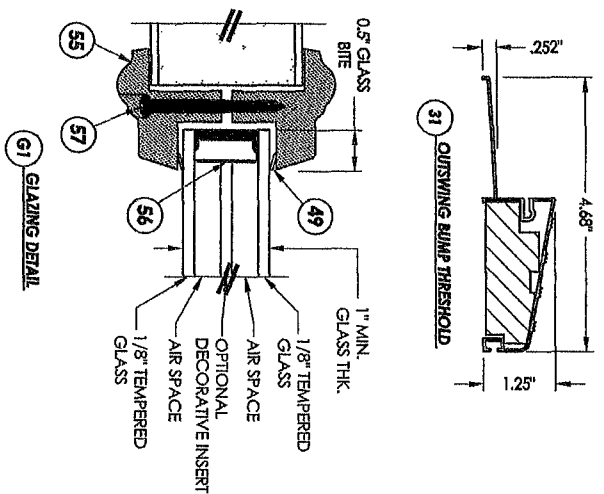
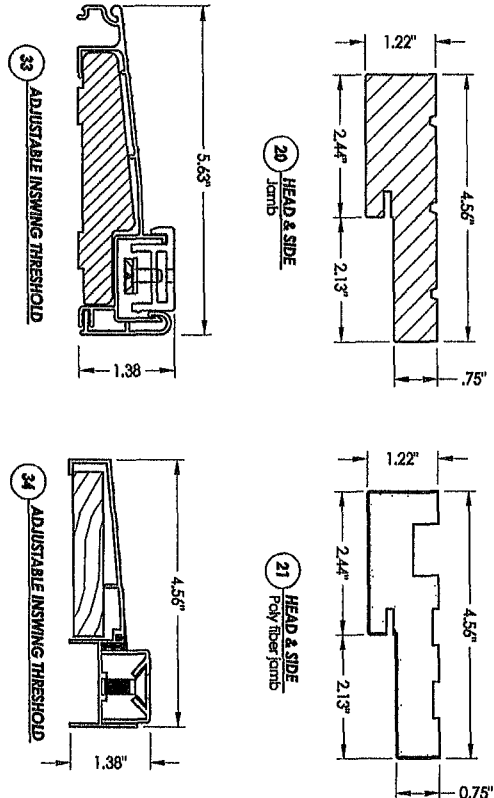
LATCH & DEADBOLT DETAIL

- CONCRETE ANCHOR NOTES:**
1. Substitution of equal concrete anchors from a different supplier may have different edge distance and center distance requirements.
 2. Concrete anchor locations at the corners may be adjusted to maintain the min. edge distance to mortar joints. If concrete anchor locations noted as "MAX. ON CENTER" must be adjusted to maintain the min. edge distance to mortar joints, additional concrete anchors may be required to ensure the "MAX. ON CENTER" dimensions are not exceeded.
 3. Concrete anchor table:

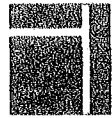
ANCHOR TYPE	ANCHOR SIZE	MIN. EMBEDMENT	MIN. CLEARANCE TO MASONRY EDGE	MIN. CLEARANCE TO ADJACENT ANCHOR
ITW	1/4"	1-1/4"	2-1/2"	3"
ITW	3/16"	1-1/4"	2-5/8"	2-1/4"

SHEET 6 OF 7 DRAWING NO: FL-15213.14 CHK BY: LFS DATE: 02/16/12 SCALE: N.T.S. Dwg. BY: JK	PRODUCT: PLASTPRO INC. FIBERGLASS DOOR	Documents Prepared By: <i>RW</i> BUILDING CONSULTANTS, INC. P.O. Box 230 Valrico FL 33595 Phone No.: 813.659.9197 Florida Board of Professional Engineers Certificate of Authorization No. 9813 Lyndon F. Schmidt, P.E. No. 43409
	PART OR ASSEMBLY: FRAME ANCHORING 1X BUCK MASONRY CONSTRUCTION	
NO. DATE REVISIONS	BY	2-17-12

BILL OF MATERIALS		MATERIAL
ITEM	DESCRIPTION	
A	1X BUCK SG >= 0.55	WOOD
B	2X BUCK SG >= 0.55	WOOD
C	1/4" MAX. SHIM SPACE	
D	1/4" X 2 3/4" PPH ELCO OR ITW CONCRETE SCREW	STEEL
E	MASONRY - 3,192 PSI MIN. CONCRETE CONFORMING TO ACI 301 OR HOLLOW BLOCK CONFORMING TO ASTM C90	CONCRETE
G	3/16" X 3-1/4" PPH ITW CONCRETE SCREW	STEEL
H	1/4" X 3-1/4" PPH ITW CONCRETE SCREW	STEEL
J	1/4" X 3-3/4" PPH ITW CONCRETE SCREW	STEEL
K	#10 X 2" PPH WOOD SCREW	STEEL
L	#8 X 2-1/2" PPH WOOD SCREW	STEEL
M	#8 X 2" PPH WOOD SCREW	STEEL
7	FORCE 5 WEATHER STRIPPING BY ENDURA	FOAM
8	COMPRESSION WEATHER STRIP GLON 650 BY SCHLIGEL	FOAM
9	4 X 4 BUTT HINGE	STEEL
10	#9 X 1" PPH WOOD SCREW	STEEL
11	#9 X 3/4" PPH WOOD SCREW	STEEL
17	KWIKSET KEYPED ENTRY - SIGNATURE SERIES	STEEL
18	KWIKSET DEADBOLT - SIGNATURE SERIES (780)	STEEL
20	FINGER JOINED PINE FRAME, HEAD & HINGE JAMBS	WOOD
21	POLYFIBER JAMB	COMP. / VINYL
27	LATCH STRIKE PLATE	STEEL
28	DEADBOLT STRIKE PLATE	STEEL
30	INSWING VINYL DOOR BOTTOM SWEEP BY ENDURA	VINYL
31	OUTSWING BUMP THRESHOLD	ALUM./ WOOD
32	VINYL DOOR BOTTOM SWEEP #3628 BY HOLM IND.	PVC
33	INSWING ADJUSTABLE THRESHOLD BY ENDURA	ALUM. / WOOD
34	INSWING ADJUSTABLE ALUMINUM THRESHOLD BY DIP	ALUM. / WOOD
40	DOOR PANEL - SEE DOOR PANEL DETAIL SHEET FOR CONSTRUCTION DETAILS	
41	DOOR SKIN (MIN. 0.075" THICK)	FIBERGLASS
42	TOP RAIL	CELLULAR/PVC
43	LATCH & HINGE STILE	CELLULAR/PVC
44	REINFORCEMENT WOOD FOR LOCKS (20" LONG)	WOOD
45	BOTTOM RAIL	CELLULAR/PVC
46	POLYURETHANE FOAM BY NAN YA	CELLULAR/PVC
47	CONTINUOUS LATCH & HINGE STILE REINFORCEMENT	POLYURETHANE
49	GLAZING COMPOUND	WOOD
55	LIP LITE ODL/WESTERN REFLECTIONS HP	SILICONE
56	GLAZING SPACER	POLYPROPYLENE
57	#8 X 1-1/2" PPH LITE FRAME SCREW	ALUM.



PRODUCT: PLASTPRO INC. FIBERGLASS DOOR PART OR ASSEMBLY: BILL OF MATERIALS, GLAZING DETAIL & COMPONENTS		Documents Prepared By: RW BUILDING CONSULTANTS, INC. P.O. Box 230 Valrico FL 33595 Phone No.: 813.858.9187 Florida Board of Professional Engineers Certificate Of Authorization No. 9813 LFS 2.17.12 Lyndon F Schmidt, P.E. No. 43409
REVISIONS NO. DATE BY		DRAWING NO.: FL-15213.14 SHEET 7 OF 7



plastpro

5200 W. CENTURY BLVD.
LOS ANGELES, CA 90045

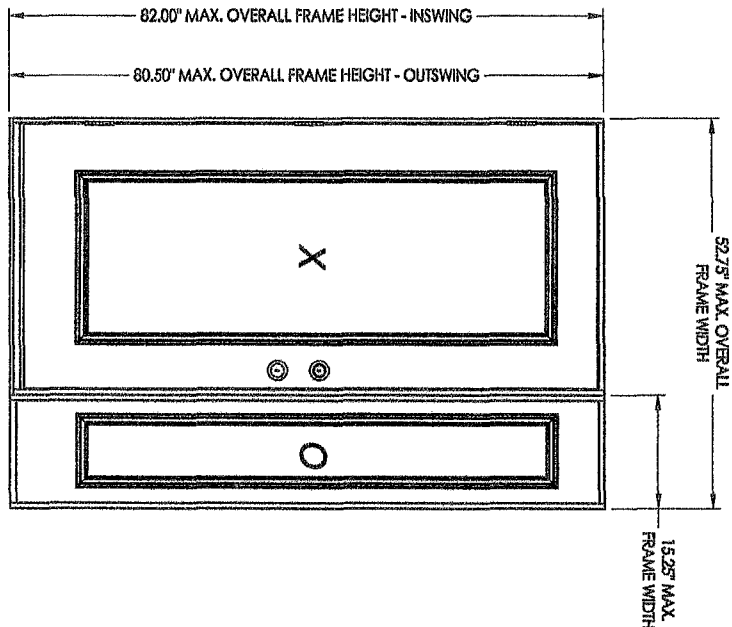
**Smooth / Wood Grain / White Wood Grain
Rustic / Mahogany
Series N Fiberglass Door
INSWING / OUTSWING
"NON-IMPACT"**

GENERAL NOTES

1. This product has been evaluated and is in compliance with the 2010 Florida Building Code (FBC) structural requirements excluding the "High Velocity Hurricane Zone" (HVHZ).
2. Product anchors shall be as listed and spaced as shown on details. Anchor embedment to base material shall be beyond wall dressing or stucco.
3. When used in areas requiring wind borne debris protection this product is required to be protected with an impact resistant covering that complies with Section 1609.1.2 of the FBC.
4. For 2x stud framing construction, anchoring of these units shall be the same as that shown for 2x buck masonry construction.
5. Site conditions that deviate from the details of this drawing require further engineering analysis by a licensed engineer or registered architect.

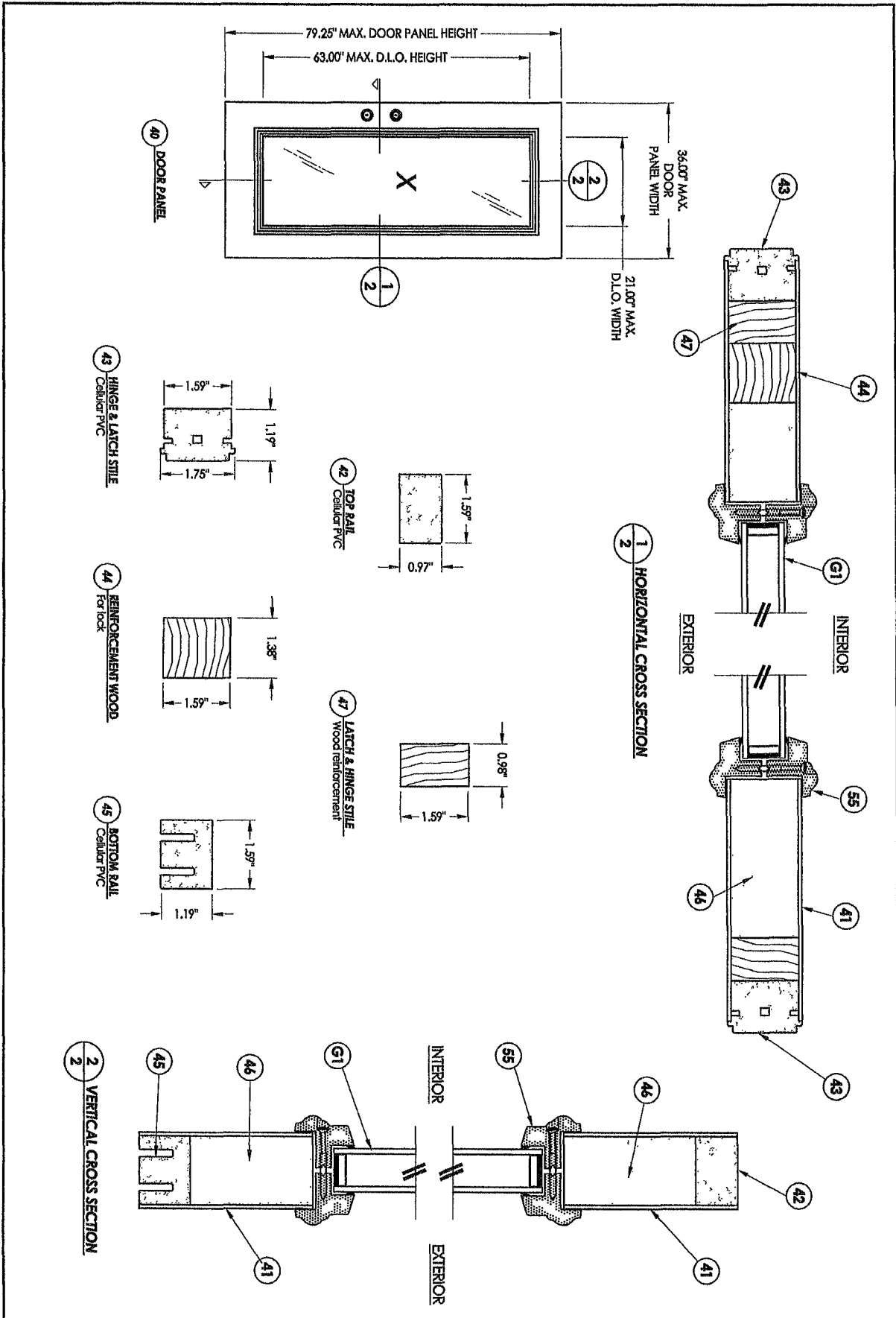
TABLE OF CONTENTS

SHEET #	DESCRIPTION
1	Typical elevation, design pressures, & general notes
2	Door panel details
3	Sidelite panel details
4	Horizontal cross sections
5	Vertical cross sections
6	Vertical cross sections
7	Buck and frame anchoring - 2x buck masonry construction
8	Frame anchoring - 1x buck masonry construction
9	Bill of materials, glazing detail & components

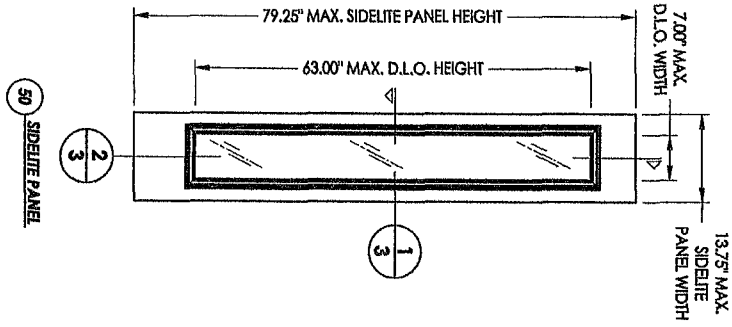


SWING	OVERALL FRAME DIMENSION	DOOR D.L.O. DIMENSION	SIDELITE D.L.O. DIMENSION	GLASS TYPE	DESIGN PRESSURE (PSF)
					POSITIVE / NEGATIVE
INSWING	52.75" x 82.00"	21.00" x 63.00"	7.00" x 63.00"	G1	+48.0 / -50.0
OUTSWING	52.75" x 80.50"	21.00" x 63.00"	7.00" x 63.00"		+50.0 / -50.0

PRODUCT: PLASTPRO INC. FIBERGLASS DOOR	Documents Prepared By: RW BUILDING CONSULTANTS, INC. P.O. Box 230 Vero Beach, FL 33598 Phone No. 813.689.8107 Florida Board of Professional Engineers Certificate Of Authorization No. 9813 2.17.12 Lyndon F. Schmidt, P.E. No. 43408
PART OR ASSEMBLY: TYPICAL ELEVATION, DESIGN PRESSURES & GENERAL NOTES	NO. DATE REVISIONS
DATE: 02/16/12 SCALE: N.T.S. DWG. BY: JK CHK. BY: LFS DRAWING NO.: FL-15213.15 SHEET 1 OF 9	BY:

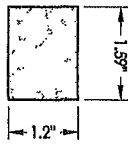


DATE: 02/16/12 SCALE: N.T.S. DWG. BY: JK CHK. BY: LFS DRAWING NO.: FL-15213.15 SHEET 2 OF 9	PRODUCT: PLASTPRO INC. FIBERGLASS DOOR PART OR ASSEMBLY: DOOR PANEL DETAILS	Documents Prepared By: RW BUILDING CONSULTANTS, INC. P.O. Box 230 Valrico FL 33595 Phone No.: 813.659.9197 Florida Board of Professional Engineers Certificate of Authorization No. 9813 Lyndon F. Schmidt, P.E. No. 43409
	NO. DATE REVISIONS	BY

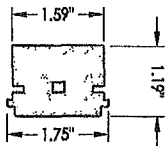


50 SIDELITE PANEL

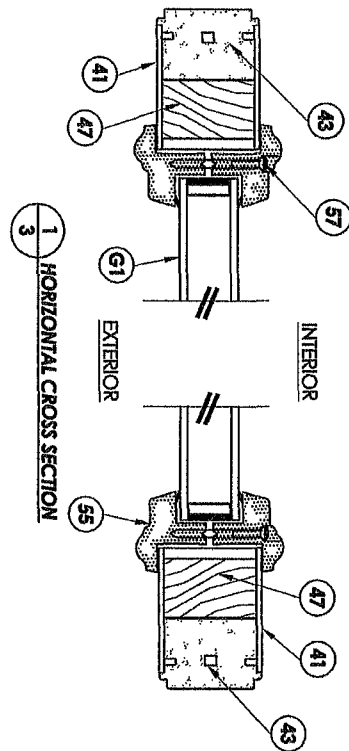
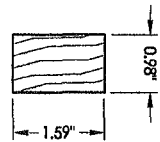
51 SIDELITE TOP & BOTTOM RAIL
Cellular PVC



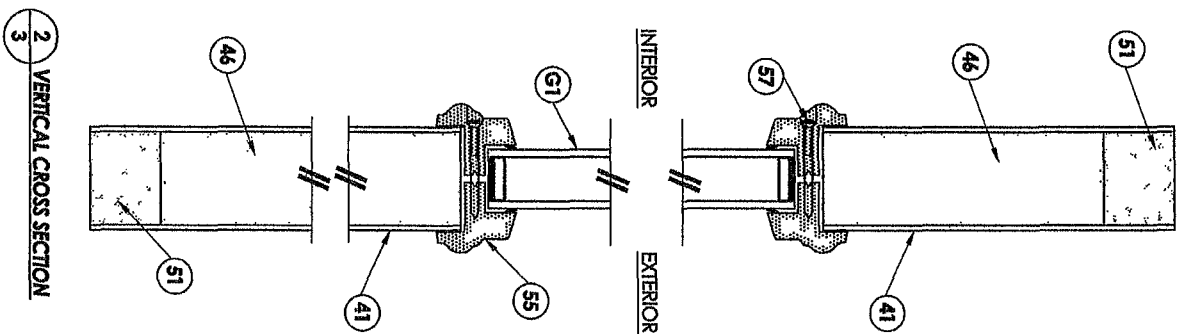
43 HINGE & LATCH STILE
Stainless steel
Cellular PVC



47 LATCH & HINGE STILE
Stainless steel
Wood reinforcement



1 HORIZONTAL CROSS SECTION



2 VERTICAL CROSS SECTION

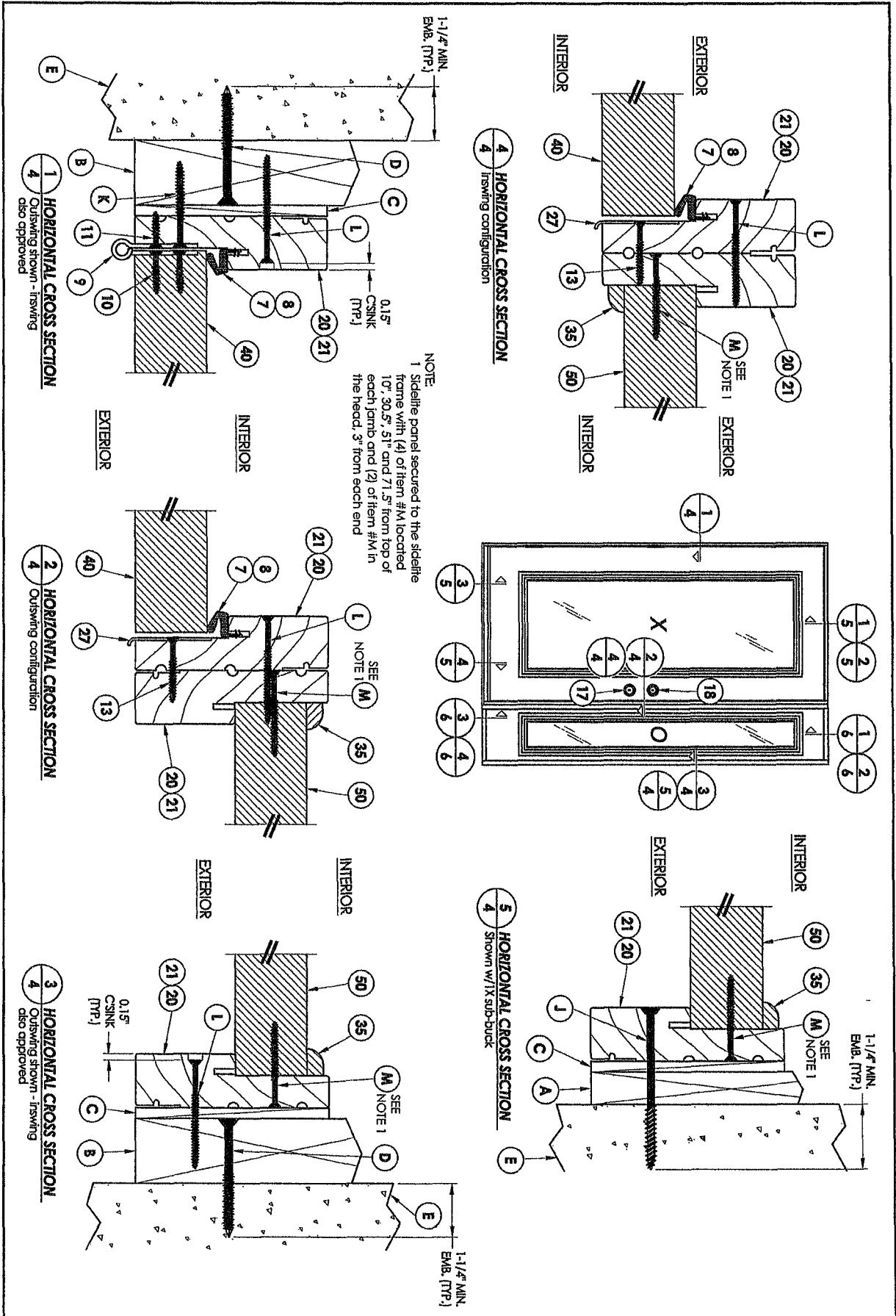
NO.	DATE	REVISIONS	BY

PRODUCT:
PLASTPRO INC.
FIBERGLASS DOOR

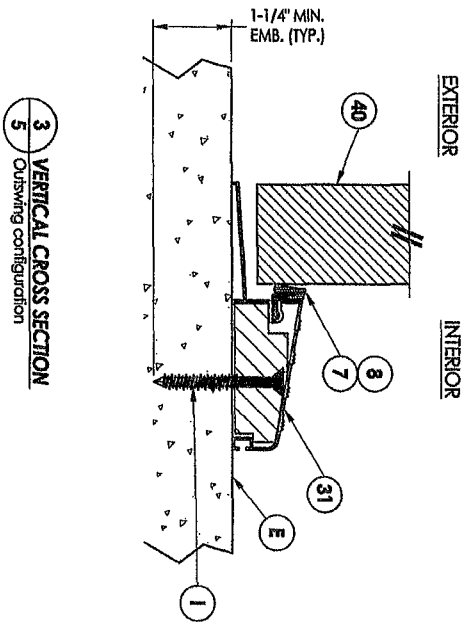
PART OR ASSEMBLY:
SIDELITE PANEL DETAILS

Documents Prepared By:
RW BUILDING CONSULTANTS, INC.
P.O. Box 230 Vairoo FL 33595
Phone No.: 813.859.9187

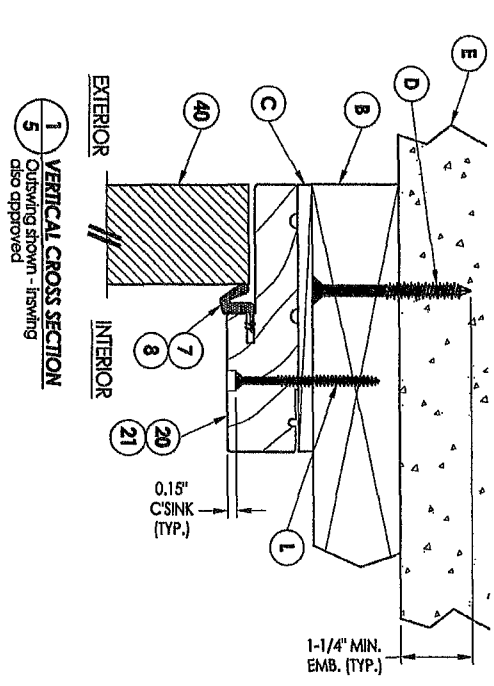
Florida Board of Professional Engineers
Certificate of Authorization No. 9813
[Signature]
Lyndon F. Schmidt, P.E. No. 43409



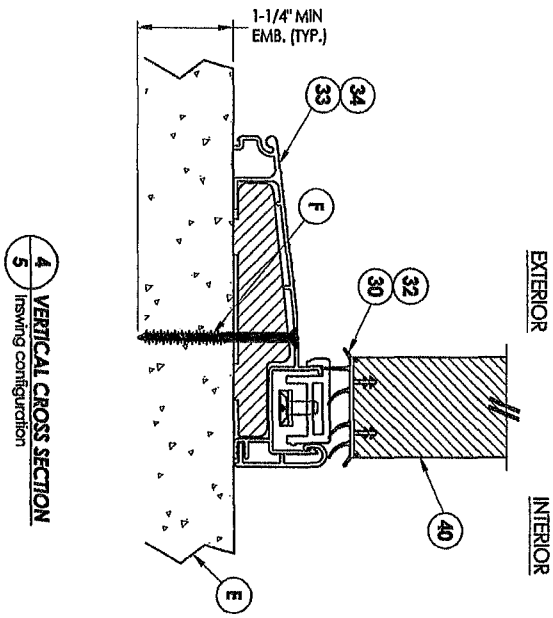
DATE: 02/16/12 SCALE: N.T.S. DWG. BY: JK CHECK BY: LFS DRAWING NO.: FL-15213.15 SHEET 4 OF 9		PRODUCT: PLASTPRO INC. FIBERGLASS DOOR PART OR ASSEMBLY: HORIZONTAL CROSS SECTIONS	Documents Prepared By: <i>RW</i> BUILDING CONSULTANTS, INC. P.O. Box 230 Vero Beach, FL 33595 Phone No.: 813.659.9197 Florida Board of Professional Engineers Certificate Of Authorization No. 9813 2.17.12 Lyndon F. Schmidt, P.E. No. 43409
---	--	--	--



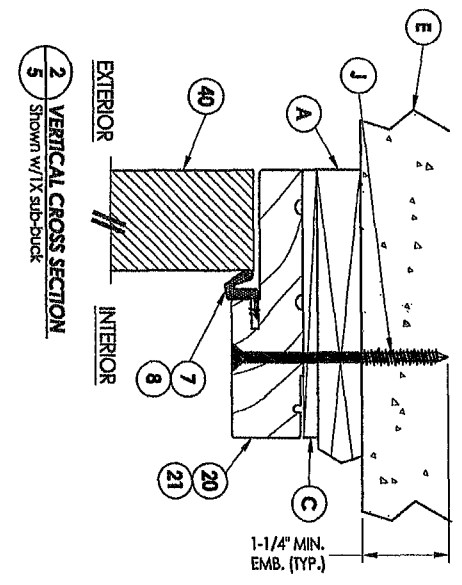
3 VERTICAL CROSS SECTION
5 Outsling configuration



1 VERTICAL CROSS SECTION
5 Outsling shown - firing
also approved



4 VERTICAL CROSS SECTION
5 Inswing configuration

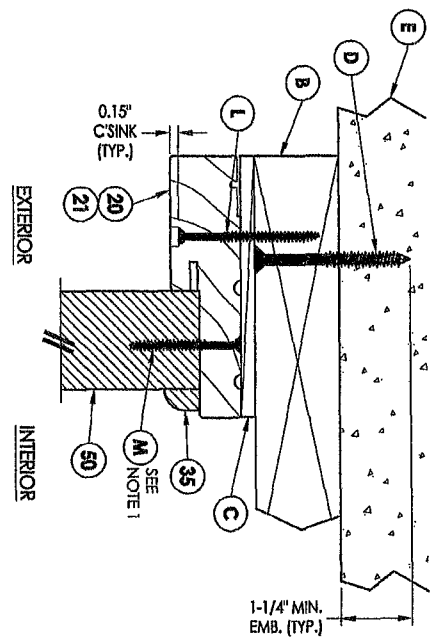


2 VERTICAL CROSS SECTION
5 Shown w/ TX sub-duck

NO.	DATE	REVISIONS	BY

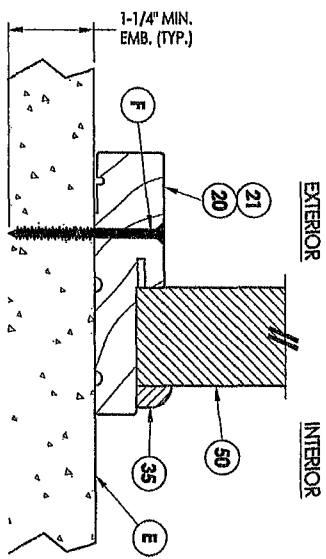
PRODUCT:
PLASTPRO INC.
FIBERGLASS DOOR
PART OR ASSEMBLY:
VERTICAL CROSS SECTIONS

Documents Prepared By:
RW BUILDING CONSULTANTS, INC.
P.O. Box 230 Vero Beach, FL 33595
Phone No. 813.659.9197
Florida Board of Professional Engineers
Certificate Of Authorization No. 9813
2/17/12
Lyndon F. Schmidt, P.E. No. 43409

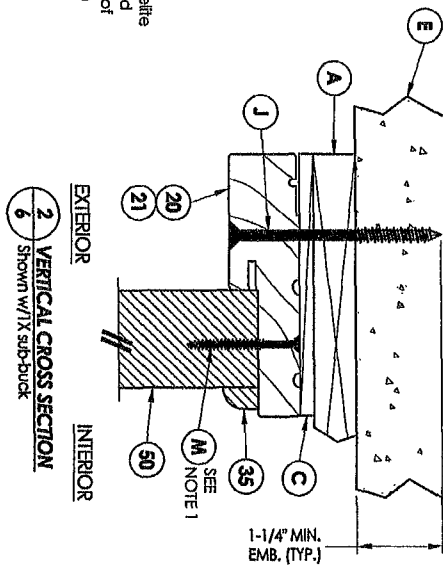


1 VERTICAL CROSS SECTION
6 Outstanding - Inswing also approved

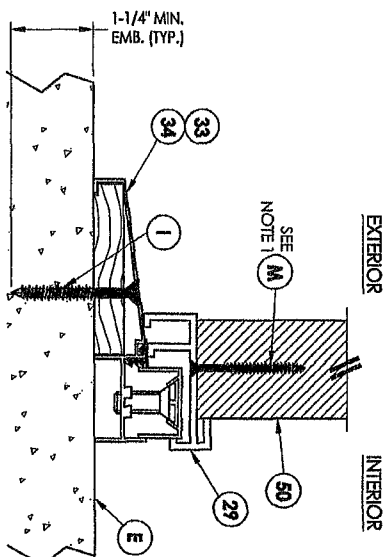
NOTE:
1 Sidelite panel secured to the sidelite frame with (4) of item #M located 10", 30.5", 51" and 71.5" from top of each jamb and (2) of item #M in the head, 3" from each end



3 VERTICAL CROSS SECTION
6 Outstanding shown - Inswing also approved

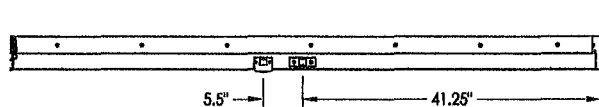
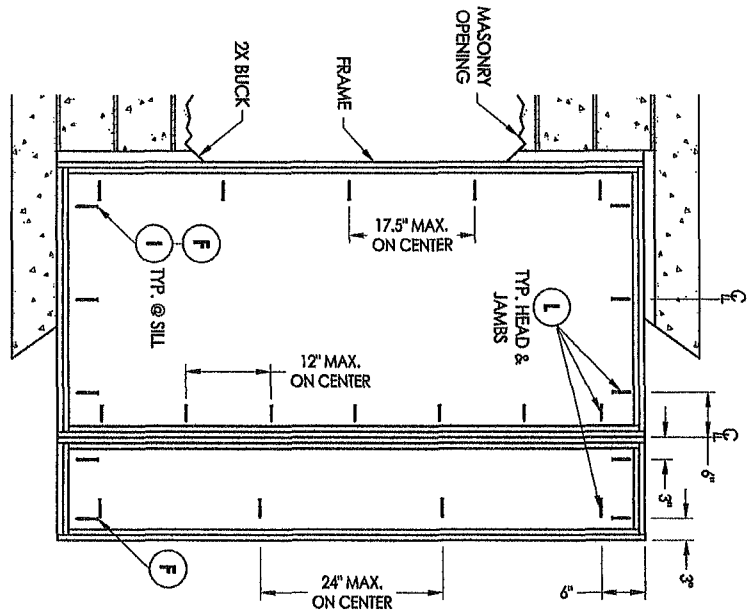
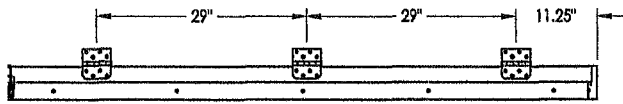
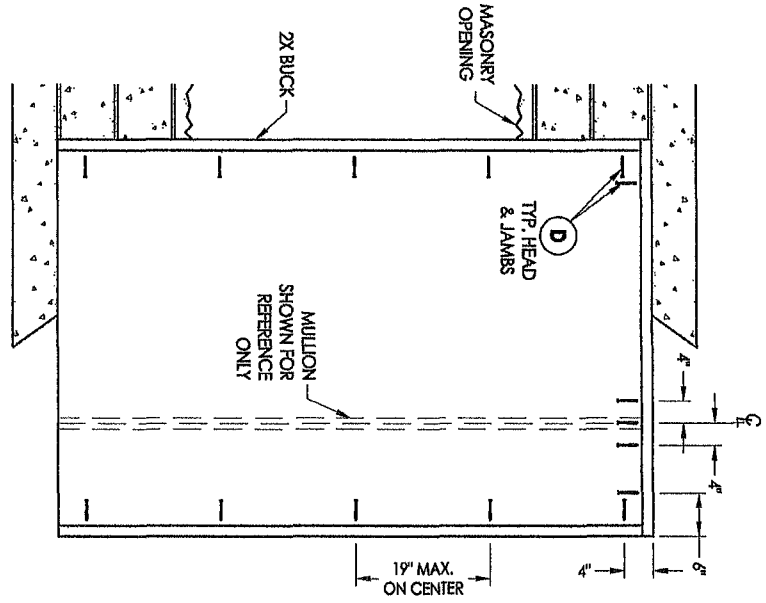


2 VERTICAL CROSS SECTION
6 Shown w/ix sub-buck



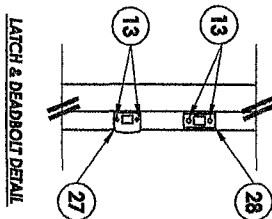
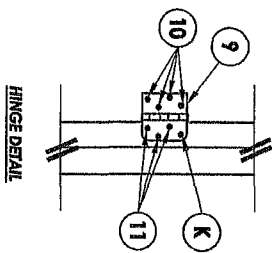
4 VERTICAL CROSS SECTION
6 Inswing configuration

PRODUCT: PLASTPRO INC. FIBERGLASS DOOR		Documents Prepared By: <i>RW</i> BUILDING CONSULTANTS, INC. P.O. Box 230 Vairoo FL 33505 Phone No. 1 813.659.9187 Florida Board of Professional Engineers Certificate Of Authorization No. 9843 <i>LF</i> 2.12.12 Lyndon F. Schmidt, P.E. No. 43409	
PART OR ASSEMBLY: VERTICAL CROSS SECTIONS		DATE: 02/16/12 SCALE: N.T.S. DWG. BY: JK CHK. BY: LFS DRAWING NO.: FL-15213.15 SHEET 6 OF 9	
NO.	DATE	BY	REVISIONS



ANCHOR TYPE	ANCHOR SIZE	MIN. EMBEDMENT	MIN. CLEARANCE TO MASONRY EDGE	MIN. CLEARANCE TO ADJACENT ANCHOR
ITW	1/4"	1-1/4"	2-1/2"	3"
ELCO	1/4"	1-1/4"	1"	4"

- CONCRETE ANCHOR NOTES:**
- 1 Substitution of equal concrete anchors from a different supplier may have different edge distance and center distance requirements.
 - 2 Concrete anchor locations of the comers may be adjusted to maintain the min. edge distance to mortar joints. If concrete anchor locations noted as "MAX. ON CENTER" must be adjusted to maintain the min. edge distance to mortar joints, additional concrete anchors may be required to ensure the "MAX. ON CENTER" dimensions are not exceeded.
 - 3 Concrete anchor table:



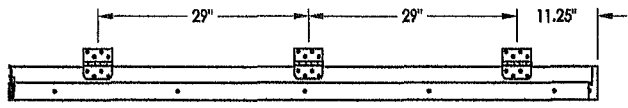
BUCK ANCHORING

HINGE JAMB

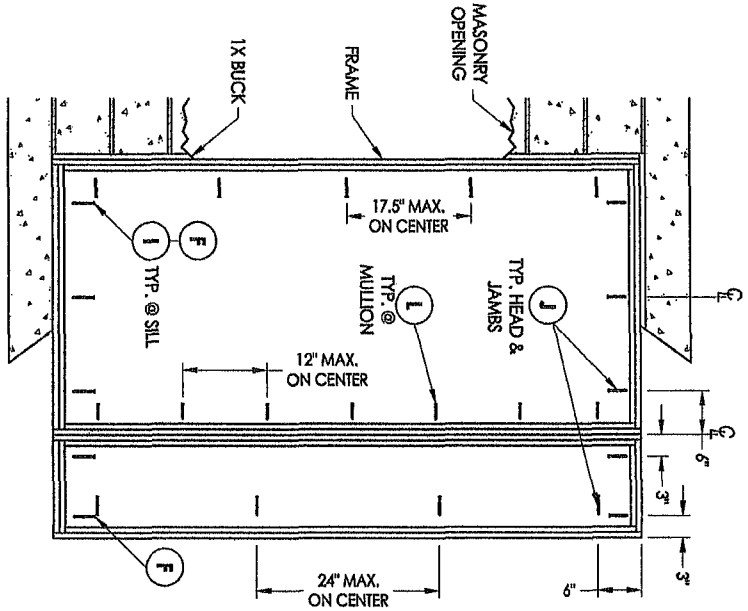
FRAME ANCHORING
Masonry 2x Buck construction

STRIKE JAMB

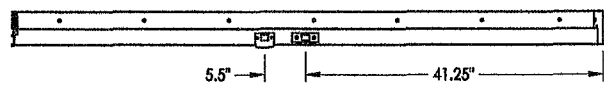
PRODUCT: PLASTPRO INC. FIBERGLASS DOOR		Documents Prepared By: <i>RW</i> BUILDING CONSULTANTS, INC. P.O. Box 230 Valrico FL 33595 Phone No.: 813.659.9197 Florida Board of Professional Engineers Certificate of Authorization No. 9815 LFS 2.12.12 Lyndon F. Schmidt, P.E. No. 43409
PART OR ASSEMBLY: BUCK AND FRAME ANCHORING 2X BUCK MASONRY CONSTRUCTION		
DATE: 02/16/12 SCALE: N.T.S. DWG. BY: JK CHK. BY: LFS	NO. DATE REVISIONS	SHEET 7 OF 9



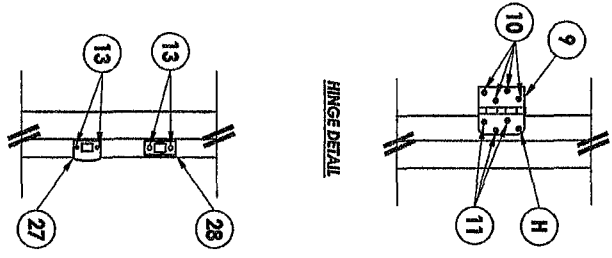
HINGE JAMB



FRAME ANCHORING
Masonry 1X buck construction



STRIKE JAMB



LATCH & DEADBOLT DETAIL

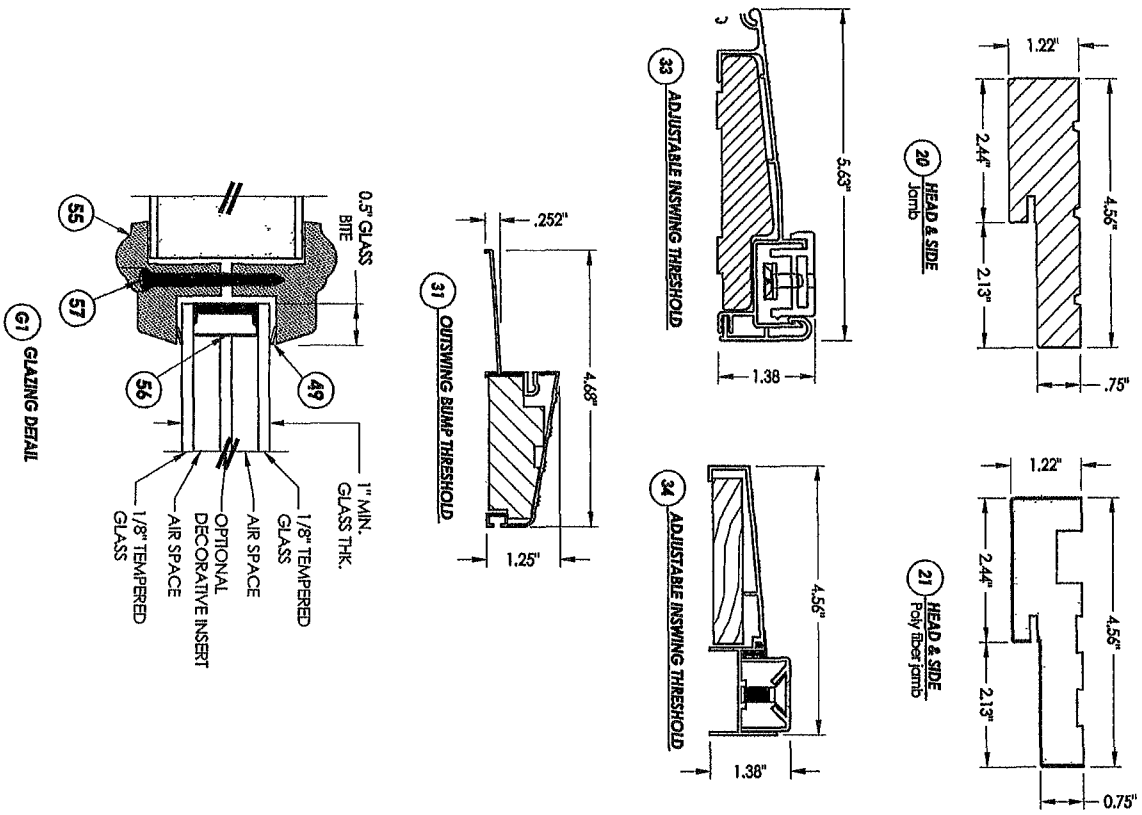
- CONCRETE ANCHOR NOTES:**
1. Substitution of equal concrete anchors from a different supplier may have different edge distance and center distance requirements.
 2. Concrete anchor locations of the corners may be adjusted to maintain the min. edge distance to mortar joints. If concrete anchor locations noted as "MAX. ON CENTER" must be adjusted to maintain the min. edge distance to mortar joints, additional concrete anchors may be required to ensure the "MAX. ON CENTER" dimensions are not exceeded.
 3. Concrete anchor table:

ANCHOR TYPE	ANCHOR SIZE	MIN. EMBEDMENT	MIN. CLEARANCE TO MASONRY EDGE	MIN. CLEARANCE TO ADJACENT ANCHOR
ITW	1/4"	1-1/4"	2-1/2"	3"
ITW	3/16"	1-1/4"	2-5/8"	2-1/4"

DATE	02/16/12		
SOLE	N.T.S.		
DWG. BY	JK		
CHK. BY	LFS		
DRAWING NO.	FL-15213.15		
SHEET	8 OF 9		
NO.	DATE	BY	REVISIONS
PRODUCT: PLASTPRO INC. FIBERGLASS DOOR PART OR ASSEMBLY: FRAME ANCHORING 1X BUCK MASONRY CONSTRUCTION			

Documents Prepared By:
RW BUILDING CONSULTANTS, INC.
 P.O. Box 230 Valrico FL 33595
 Phone No.: 813.859.9197
 Florida Board of Professional Engineers
 Certificate Of Authorization No. 9813
 Lyndon F. Schmidt, P.E. No. 43409

ITEM	DESCRIPTION	MATERIAL
A	1X BUCK SG >= 0.55	WOOD
B	2X BUCK SG >= 0.55	WOOD
C	1/4" MAX. SHIM SPACE	
D	1/4" X 2.3/4" PPH ELCO OR ITW CONCRETE SCREW	STEEL
E	MASONRY - 3,192 PSI MIN. CONCRETE CONFORMING TO ACI 301 OR HOLLOW BLOCK CONFORMING TO ASTM C90	CONCRETE
F	1/4" X 2.3/4" PPH ITW CONCRETE SCREW	STEEL
H	1/4" X 3-1/4" PPH ITW CONCRETE SCREW	STEEL
I	1/4" X 2-1/4" PPH ITW CONCRETE SCREW	STEEL
J	1/4" X 3-3/4" PPH ITW CONCRETE SCREW	STEEL
K	#10 X 2" PPH WOOD SCREW	STEEL
L	#8 X 2-1/2" PPH WOOD SCREW	STEEL
M	#8 X 2" PPH WOOD SCREW	STEEL
7	FORCE 5 WEATHER STRIPPING BY ENDURA	FOAM
8	COMPRESSION WEATHER STRIP QLOON 650 BY SCHLEGEL	FOAM
9	4" X 4" BUTT HINGE	STEEL
10	#9 X 1" PPH WOOD SCREW	STEEL
11	#9 X 3/4" PPH WOOD SCREW	STEEL
13	#8 X 1-1/2" PPH WOOD SCREW	STEEL
17	KWIKSET KEVED ENTRY - SIGNATURE SERIES	STEEL
18	KWIKSET DEADBOLT - SIGNATURE SERIES (780)	STEEL
20	FINGER JOINTED PINE FRAME, HEAD & HINGE JAMBS	WOOD
21	POLYFIBER JAMB	COMP. / VINYL
26	DEADBOLT STRIKE PLATE	STEEL
27	LATCH STRIKE PLATE	STEEL
29	SIDELITE SPACER	PVC
30	INSWING VINYL DOOR BOTTOM SWEEP BY ENDURA	VINYL
31	OUTSWING BUMP THRESHOLD	ALUM.
32	VINYL DOOR BOTTOM SWEEP #3628 BY HOLM IND.	PVC
33	INSWING ADJUSTABLE THRESHOLD BY ENDURA	ALUM. / WOOD
34	INSWING ADJUSTABLE ALUMINUM THRESHOLD BY DIP	ALUM. / WOOD
35	SHOE MOULD 5/8" X 3/8"	WOOD
40	DOOR PANEL - SEE DOOR PANEL DETAIL SHEET FOR CONSTRUCTION DETAILS	
41	DOOR SKIN (MIN. 0.075" THICK)	FIBERGLASS
42	TOP RAIL	CELLULAR/PVC
43	LATCH & HINGE STILE	CELLULAR/PVC
44	REINFORCEMENT WOOD FOR LOCKS (20" LONG)	WOOD
45	BOTTOM RAIL	CELLULAR/PVC
46	POLYURETHANE FOAM BY NAN YA	POLYURETHANE
47	CONTINUOUS LATCH & HINGE STILE REINFORCEMENT	WOOD
49	GLAZING COMPOUND	SILICONE
50	SIDELITE PANEL - SEE SIDELITE PANEL DETAIL SHEET FOR CONSTRUCTION DETAILS	SILICONE
51	SIDELITE TOP & BOTTOM RAIL BY NAN YA	CELLULAR/PVC
55	LIP LITE ODL/WESTERN REFLECTIONS HP	POLYPROPYLENE
56	GLAZING SPACER	ALUM.
57	#8 X 1-1/2" PPH LITE FRAME SCREW	STEEL



PRODUCT: PLASTPRO INC. FIBERGLASS DOOR	Documents Prepared By: RW BUILDING CONSULTANTS, INC. P.O. Box 230 Valrico FL 33595 Phone No.: 813.659.9197 Florida Board of Professional Engineers Certificate Of Authorization No. 9813 <i>CFS</i> 2-17-12 Lyndon F. Schmidt, P.E. No. 43409
PART OR ASSEMBLY: BILL OF MATERIALS, GLAZING DETAIL & COMPONENTS	NO. DATE REVISIONS BY
DATE: 02/16/12 SCALE: N.T.S. DWG. BY: JK CHK. BY: LFS DRAWING NO.: FL-15213.15 SHEET 9 OF 9	