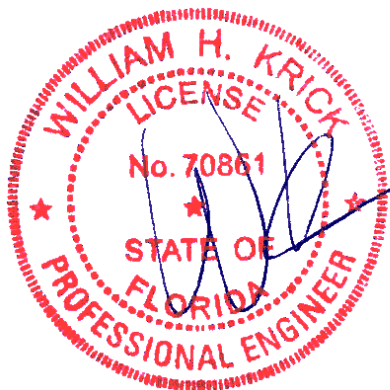




Alpine, an ITW Company
 155 Harlem Ave
 North Building, 4th Floor
 Glenview, IL 60025
 Phone: (800)755-6001
 www.alpineitw.com



This item has been digitally signed by William H. Krick on the date adjacent to the seal.

Printed copies of this document are not considered signed and sealed and the signature must be verified on any electronic copies.

COA #0 278

Florida Certificate of Product Approval #FL 1999

02/12/2026

Site Information:	Page 1:
Customer: W. B. Howland Company, Inc.	Job Number: 25-2668B
Job Description: THOMAS RESIDENCE	
Address: Lake City, FL	

Job Engineering Criteria:	
Design Code: FBC 8th Ed. 2023 Res.	IntelliVIEW Version: 24.02.00D
	JRef #: 1YHK2150006
Wind Standard: ASCE 7-22 Wind Speed (mph): 130	Design Loading (psf): 40
Building Type: Enclosed	

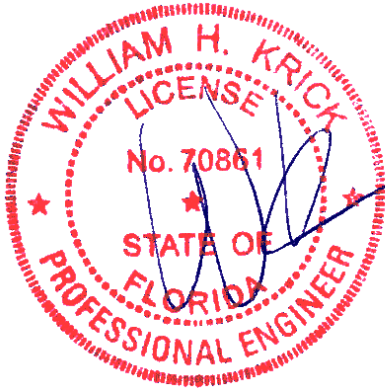
This package contains general notes pages, 67 truss drawing(s) and 5 detail(s).

Item	Drawing Number	Truss
1	043.26.0840.50567	A1
3	043.26.0841.05280	A3
5	043.26.0841.50123	A5
7	043.26.0841.57280	A6E
9	043.26.0842.54383	A7E
11	043.26.0842.58487	B1E
13	043.26.0843.00913	CJ1
15	043.26.0843.07150	D1
17	043.26.1027.06103	D2
19	043.26.1027.32217	F1
21	043.26.1027.37617	F1E
23	043.26.1033.07490	F2A
25	043.26.1033.23990	F2E
27	043.26.1033.37000	F3A
29	043.26.1033.45017	F3E
31	043.26.1033.53630	F4E
33	043.26.1034.51253	FG2
35	043.26.1035.48080	FG4
37	043.26.1036.01530	G2
39	043.26.1036.11530	G4
41	043.26.1036.27810	H1
43	043.26.1036.36000	H2
45	043.26.1036.43610	HJ1
47	043.26.1036.49143	J3
49	043.26.1036.53990	J7

Item	Drawing Number	Truss
2	043.26.0840.53223	A2
4	043.26.0841.43570	A4
6	043.26.0841.51823	A6
8	043.26.0842.23470	A7
10	043.26.0842.57060	B1
12	043.26.0842.59643	CG1
14	043.26.0843.02173	CJ2
16	043.26.0843.08770	D1E
18	043.26.1027.29480	EJ1
20	043.26.1027.35740	F1A
22	043.26.1027.49557	F2
24	043.26.1033.18170	F2B
26	043.26.1033.34497	F3
28	043.26.1033.39610	F3AE
30	043.26.1033.49527	F4
32	043.26.1034.29743	FG1
34	043.26.1035.19590	FG3
36	043.26.1035.58573	G1
38	043.26.1036.05663	G3
40	043.26.1036.22180	G5
42	043.26.1036.32720	H1E
44	043.26.1036.39583	H2E
46	043.26.1036.45747	J1
48	043.26.1036.51977	J5
50	043.26.1036.57980	K1



Alpine, an ITW Company
 155 Harlem Ave
 North Building, 4th Floor
 Glenview, IL 60025
 Phone: (800)755-6001
 www.alpineitw.com



This item has been digitally signed by William H. Krick on the date adjacent to the seal.

Printed copies of this document are not considered signed and sealed and the signature must be verified on any electronic copies.

COA #0 278

Florida Certificate of Product Approval #FL 1999

02/12/2026

Site Information:	Page 2:
Customer: W. B. Howland Company, Inc.	Job Number: 25-2668B
Job Description: THOMAS RESIDENCE	
Address: Lake City, FL	

Item	Drawing Number	Truss
51	043.26.1037.01733	K1E
53	043.26.1037.12740	K3
55	043.26.1037.21823	M1
57	043.26.1037.38477	M2G
59	043.26.1038.03463	RG1
61	043.26.1032.47530	V2
63	043.26.1032.24733	V10
65	043.26.1032.32627	V12
67	043.26.1032.40563	V14
69	VAL180220723	
71	STRBRIBR1014	

Item	Drawing Number	Truss
52	043.26.1037.09683	K2
54	043.26.1037.18170	K3E
56	043.26.1037.23290	M2
58	043.26.1037.44823	M3G
60	043.26.1032.23093	V1
62	043.26.1033.01397	V3
64	043.26.1032.28637	V11
66	043.26.1032.36613	V13
68	BRCLBSUB0119	
70	VALTN220723	
72	CNNAILSP1014	

General Notes

Truss Design Engineer Scope of Work, Design Assumptions and Design Responsibilities:

The design responsibilities assumed in the preparation of these design drawings are those specified in ANSI/TPI 1, Chapter 2; and the National Design Standard for Metal Plate Connected Wood Truss Construction, by the Truss Plate Institute. The truss component designs conform to the applicable provisions of ANSI/TPI 1 and NDS, the National Design Specification for Wood Construction by AWC. The truss component designs are based on the specified loading and dimension information furnished by others to the Truss Design Engineer. The Truss Design Engineer has no duty to independently verify the accuracy or completeness of the information provided by others and may rely on that information without liability. The responsibility for verification of that information remains with others neither employed nor controlled by the Truss Design Engineer. The Truss Design Engineer's seal and signature on the attached drawings, or cover page listing these drawings, indicates acceptance of professional engineering responsibility solely for the truss component designs and not for the technical information furnished by others which technical information and consequences thereof remain their sole responsibility.

The suitability and use of these drawings for any particular structure is the responsibility of the Building Designer in accordance with ANSI/TPI 1 Chapter 2. The Building Designer is responsible for determining that the dimensions and loads for each truss component match those required by the plans and by the actual use of the individual component, and for ascertaining that the loads shown on the drawings meet or exceed applicable building code requirements and any additional factors required in the particular application. Truss components using metal connector plates with integral teeth shall not be placed in environments that will cause the moisture content of the wood in which plates are embedded to exceed 19% and/or cause corrosion of connector plates and other metal fasteners.

The Truss Design Engineer shall not be responsible for items beyond the specific scope of the agreed contracted work set forth herein, including but not limited to: verifying the dimensions of the truss component, calculation of any of the truss component design loads, inspection of the truss components before or after installation, the design of temporary or permanent bracing and their attachment required in the roof and/or floor systems, the design of diaphragms or shear walls, the design of load transfer connections to and from diaphragms and shear walls, the design of load transfer to the foundation, the design of connections for truss components to their bearing supports, the design of the bearing supports, installation of the truss components, observation of the truss component installation process, review of truss assembly procedures, sequencing of the truss component installation, construction means and methods, site and/or worker safety in the installation of the truss components and/or its connections.

This document may be a high-quality facsimile of the original engineering document which is a digitally signed electronic file with third party authentication. A wet or embossed seal copy of this engineering document is available upon request.

Temporary Lateral Restraint and Bracing:

Temporary lateral restraint and diagonal bracing shall be installed according to the provisions of BCSI chapters B1, B2, B7 and/or B10 (Building Component Safety Information, by TPI and SBCA), or as specified by the Building Designer or other Registered Design Professional. The required locations for lateral restraint and/or bracing depicted on these drawings are only for the permanent lateral support of the truss members to reduce buckling lengths, and do not apply to and may not be relied upon for the temporary stability of the truss components during their installation.

Permanent Lateral Restraint and Bracing:

The required locations for lateral restraint or bracing depicted on these drawings are for the permanent lateral support of the truss members to reduce buckling lengths. Permanent lateral support shall be installed according to the provisions of BCSI chapters B3, B7 and/or B10, or as specified by the Building Designer or other Registered Design Professional. These drawings do not depict or specify installation/erection bracing, wind bracing, portal bracing or similar building stability bracing which are parts of the overall building design to be specified, designed, and detailed by the Building Designer.

Connector Plate Information:

Alpine connector plates are made of ASTM A653 or ASTM A1063 galvanized steel with the following designations, gauges and grades: W=Wave, 20ga, grade 40; H=High Strength, 20ga, grade 60; S=Super Strength, 18ga, grade 60. Information on model code compliance is contained in the ICC Evaluation Service report ESR-1118, available on-line at www.icc-es.org.

Bearing Information:

The bearing area factor, C_b , is considered for the allowable capacity of solid sawn wood bearings supporting trusses that are located a minimum of 3" from the end of the lumber piece.

General Notes (continued)

Coated Lumber:

Coated lumber must be properly re-dried and maintained below 19% or less moisture level through all stages of construction and usage. Coated lumber has no adjustments to lumber properties. Coated lumber may be more brittle than uncoated lumber. Special handling care must be taken to prevent breakage during all handling activities. Refer to manufacturer literature, specifications, and code evaluation reports for restrictions, details, and requirements.

Fire Retardant Treated Lumber:

Fire retardant treated lumber must be properly re-dried and maintained below 19% or less moisture level through all stages of construction and usage. Fire retardant treated lumber may be more brittle than untreated lumber. Special handling care must be taken to prevent breakage during all handling activities.

Key to Terms:

Information provided on drawings reflects a summary of the pertinent information required for the truss design. Detailed information on load cases, reactions, member lengths, forces and members requiring permanent lateral support may be found in calculation sheets available upon written request.

BCDL = Bottom Chord standard design Dead Load in pounds per square foot.

BCLL = Bottom Chord standard design Live Load in pounds per square foot.

C = Coated lumber.

C-AT = AtTEK coated lumber.

C-FX = FX Lumber Guard coated lumber.

C -TE = TechWood 4400 coated lumber.

CL = Certified lumber.

Des Ld = total of TCDL, TCDL, BCLL and BCDL Design Load in pounds per square foot.

FRT = Fire Retardant Treated lumber.

FRT-BF = Borafire Fire Retardant Treated lumber

FRT-DB = D-Blaze Fire Retardant Treated lumber.

FRT-DC = Dricon Fire Retardant Treated lumber.

FRT-FP = FirePRO Fire Retardant Treated lumber.

FRT-FL = FlamePRO Fire Retardant Treated lumber.

FRT-FT = FlameTech Fire Retardant Treated lumber.

FRT-ON = OnWood Fire Retardant Treated lumber.

FRT-PG = PYRO-GUARD Fire Retardant Treated lumber.

FRT-PR = ProWood Fire Retardant Treated lumber.

g = green lumber.

HORZ(LL) = maximum Horizontal panel point deflection due to Live Load, in inches.

HORZ(TL) = maximum Horizontal panel point long term deflection in inches, due to Total Load, including creep adjustment.

HPL = additional Horizontal Load added to a truss Piece in pounds per linear foot or pounds.

Ic = Incised lumber.

FJ = Finger Jointed lumber.

L/# = user specified divisor for limiting span/deflection ratio for evaluation of actual L/defl value.

L/defl = ratio of Length between bearings, in inches, divided by the vertical Deflection due to creep, in inches, at the referenced panel point. Reported as 999 if greater than or equal to 999.

Loc = Location, starting location of left end of bearing or panel point (joint) location of deflection.

Max BC CSI = Maximum bending and axial Combined Stress Index for Bottom Chords for all load cases.

Max TC CSI = Maximum bending and axial Combined Stress Index for Top Chords for all load cases.

Max Web CSI = Maximum bending and axial Combined Stress Index for Webs for all load cases.

NCBCLL = Non-Concurrent Bottom Chord design Live Load in pounds per square foot.

PL = additional Load applied at a user specified angle on a truss Piece in pounds per linear foot or pounds.

PLB = additional vertical load added to a Bottom chord Piece of a truss in pounds per linear foot or pounds

PLT = additional vertical load added to a Top chord Piece of a truss in pounds per linear foot or pounds.

PP = Panel Point.

R = maximum downward design Reaction, in pounds, from all specified gravity load cases, at the indicated location (Loc).

-R = maximum upward design Reaction, in pounds, from all specified gravity load cases, at the identified location (Loc).

Rh = maximum horizontal design Reaction in either direction, in pounds, from all specified gravity load cases, at the indicated location (Loc).

RL = maximum horizontal design Reaction in either direction, in pounds, from all specified non-gravity (wind or seismic) load cases, at the indicated location (Loc).

General Notes (continued)

Key to Terms (continued):

Rw = maximum downward design Reaction, in pounds, from all specified non-gravity (wind or seismic) load cases, at the identified location (Loc).

TCDL = Top Chord standard design Dead Load in pounds per square foot.

TCLL = Top Chord standard design Live Load in pounds per square foot.

U = maximum Upward design reaction, in pounds, from all specified non-gravity (wind or seismic) load cases, at the indicated location (Loc).

VERT(CL) = maximum Vertical panel point deflection in inches due to Live Load and Creep Component of Dead Load in inches.

VERT(CTL) = maximum Vertical panel point deflection ratios due to Live Load and Creep Component of Dead Load, and maximum long term Vertical panel point deflection in inches due to Total load, including creep adjustment.

VERT(LL) = maximum Vertical panel point deflection in inches due to Live Load.

VERT(TL) = maximum Vertical panel point long term deflection in inches due to Total load, including creep adjustment.

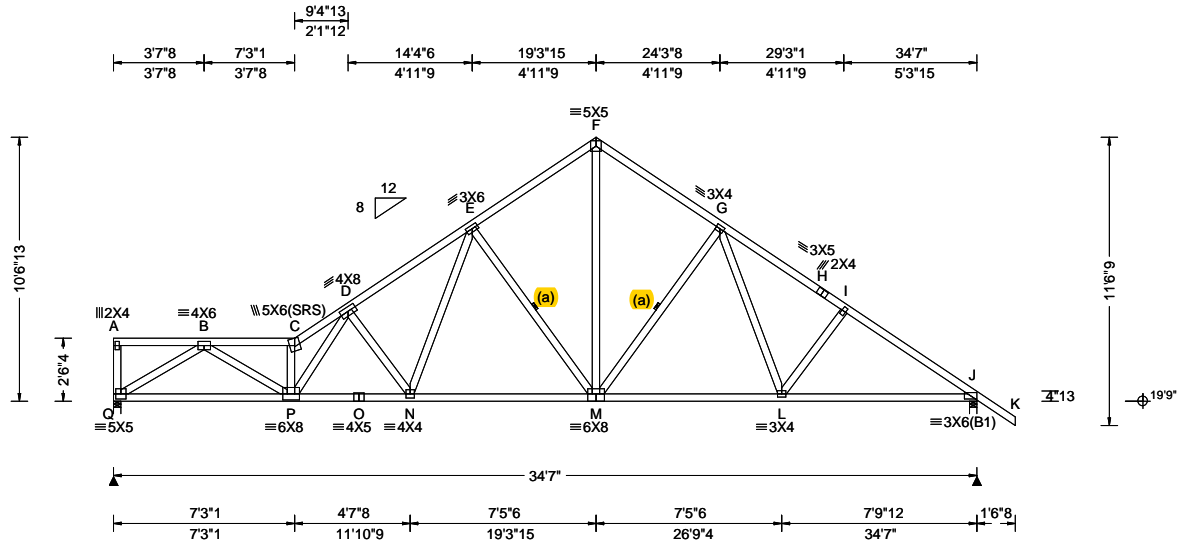
W = Width of non-hanger bearing, in inches.

Refer to ASCE-7 for Wind and Seismic abbreviations.

Uppercase Acronyms not explained above are as defined in TPI 1.

References:

1. AWC: American Wood Council; 222 Catoctin Circle SE, Suite 201; Leesburg, VA 20175; www.awc.org.
2. ICC: International Code Council; www.iccsafe.org.
3. Alpine, a division of ITW Building Components Group Inc.: 155 Harlem Ave, North Building, 4th Floor, Glenview, IL 60025; www.alpineitw.com.
4. TPI: Truss Plate Institute, 2670 Crain Highway, Suite 203, Waldorf, MD 20601; www.tpinst.org.
5. SBCA: Wood Truss Council of America, 6300 Enterprise Lane, Madison, WI 53719; www.sbcacomponents.com



Loading Criteria (psf) TCLL: 20.00 TCDL: 10.00 BCLL: 0.00 BCDL: 10.00 Des Ld: 40.00 NCBCLL: 10.00 Soffit: 2.00 Load Duration: 1.25 Spacing: 24.0 "	Wind Criteria Wind Std: ASCE 7-22 Speed: 130 mph Enclosure: Enclosed Risk Category: II EXP: B Kzt: NA Mean Height: 24.72 ft TCDL: 5.0 psf BCDL: 5.0 psf MWFRS Parallel Dist: h/2 to h C&C Dist a: 3.46 ft Loc. from endwall: not in 9.00 ft GCpi: 0.18 Wind Duration: 1.60	Snow Criteria (Pg,Pf in PSF) Pg: NA Ct: NA CAT: NA Pf: NA Ce: NA Lu: NA Cs: NA Snow Duration: NA Building Code: FBC 8th Ed. 2023 Res. TPI Std: 2014 Rep Fac: Yes FT/RT:20(0)/10(0) Plate Type(s): WAVE	Defl/CSI Criteria PP Deflection in loc L/defl L/# VERT(LL): 0.196 N 999 360 VERT(CL): 0.408 N 999 240 HORZ(LL): 0.056 A - - HORZ(TL): 0.116 A - - Creep Factor: 2.0 Max TC CSI: 0.456 Max BC CSI: 0.773 Max Web CSI: 0.880 VIEW Ver: 24.02.00D.0114.10	▲ Maximum Reactions (lbs) Gravity Non-Gravity Loc R+ / R- / Rh / Rw / U / RL Q 1444 - / - / /756 /67 /223 J 1568 - / - / /836 /65 - /- Wind reactions based on MWFRS Q Brg Wid = 3.5 Min Req = 1.7 (Truss) J Brg Wid = 3.5 Min Req = 1.9 (Truss) Bearings Q & J are a rigid surface. Members not listed have forces less than 375# Maximum Top Chord Forces Per Ply (lbs) Chords Tens.Comp. Chords Tens. Comp. B - C 504 -3652 F - G 272 -1550 C - D 657 -4567 G - H 251 -1988 D - E 384 -2635 H - I 224 -2021 E - F 280 -1549 I - J 222 -2205
--------------------------------------------------------------------------------------------------------------------------------------------------------------------------------------	--------------------------------------------------------------------------------------------------------------------------------------------------------------------------------------------------------------------------------------------------------------------------------------------------------------------------	----------------------------------------------------------------------------------------------------------------------------------------------------------------------------------------------------------------------------------------------------	-------------------------------------------------------------------------------------------------------------------------------------------------------------------------------------------------------------------------------------------------------------------------------------------------	-----------------------------------------------------------------------------------------------------------------------------------------------------------------------------------------------------------------------------------------------------------------------------------------------------------------------------------------------------------------------------------------------------------------------------------------------------------------------------------------------------------------------------------------------------------------------------------------------------------

Lumber
Top chord: 2x4 SP #2;
Bot chord: 2x4 SP #2;
Webs: 2x4 SP #3;

Bracing
(a) Continuous lateral restraint equally spaced on member.

Wind
Wind loads based on MWFRS with additional C&C member design.
Left end vertical not exposed to wind pressure.
Wind loading based on both gable and hip roof types.

Additional Notes
The overall height of this truss excluding overhang is 10-6-13.

Maximum Bot Chord Forces Per Ply (lbs)

Chords	Tens.Comp.	Chords	Tens. Comp.
Q - P	2099 -309	N - M	1763 -77
P - O	2769 -279	M - L	1500 -27
O - N	2769 -279	L - J	1750 -91

Maximum Web Forces Per Ply (lbs)

Webs	Tens.Comp.	Webs	Tens. Comp.
Q - B	458 -2445	N - E	1089 -161
B - P	1844 -136	E - M	215 -928
P - C	421 -2592	F - M	1299 -202
P - D	2003 -327	M - G	132 -483
D - N	255 -1113	G - L	393 -15

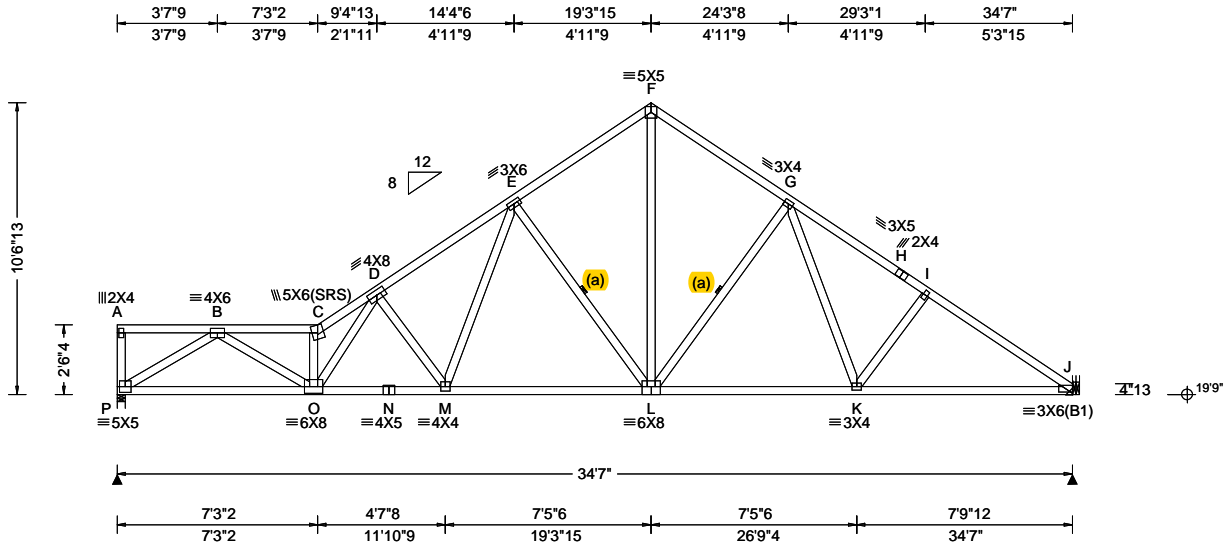


COA #0278

02/12/2026
Florida Certificate of Product Approval #FL 1999

****WARNING** READ AND FOLLOW ALL NOTES ON THIS DRAWING!**
****IMPORTANT** FURNISH THIS DRAWING TO ALL CONTRACTORS INCLUDING THE INSTALLERS**
Trusses require extreme care in fabricating, handling, shipping, installing and bracing. Refer to and follow the latest edition of BCSI (Building Component Safety Information, by TPI and SBCA) for safety practices prior to performing these functions. Installers shall provide temporary bracing per BCSI. Unless noted otherwise, top chord shall have properly attached structural sheathing and bottom chord shall have a properly attached rigid ceiling. Locations shown for permanent lateral restraint of webs shall have continuous lateral restraint (CLR), installed with diagonal bracing installed on the CLR per BCSI sections B3, B7, or B10, as applicable. Apply plates to each face of truss and position as shown above and on the Joint Details, unless noted otherwise. Refer to drawings 160A-Z for standard plate positions. Refer to job's General Notes page for additional information.
Alpine, a division of ITW Building Components Group Inc. shall not be responsible for any deviation from this drawing, any failure to build the truss in conformance with ANSI/TPI 1, or for handling, shipping, installation and bracing of trusses. A seal on this drawing or cover page listing this drawing, indicates acceptance of professional engineering responsibility solely for the design shown. The suitability and use of this drawing for any structure is the responsibility of the Building Designer per ANSI/TPI 1 Sec.2.
For more information see these web sites: Alpine: alpineitw.com; TPI: tpinst.org; SBCA: sbccomponents.com; ICC: iccsafe.org; AWC: awc.org





Loading Criteria (psf) TCLL: 20.00 TCDL: 10.00 BCLL: 0.00 BCDL: 10.00 Des Ld: 40.00 NCBCLL: 10.00 Soffit: 2.00 Load Duration: 1.25 Spacing: 24.0 "	Wind Criteria Wind Std: ASCE 7-22 Speed: 130 mph Enclosure: Enclosed Risk Category: II EXP: B Kzt: NA Mean Height: 25.23 ft TCDL: 5.0 psf BCDL: 5.0 psf MWFRS Parallel Dist: h to 2h C&C Dist a: 3.46 ft Loc. from endwall: not in 9.00 ft GCp: 0.18 Wind Duration: 1.60	Snow Criteria (Pg,Pf in PSF) Pg: NA Ct: NA CAT: NA Pf: NA Ce: NA Lu: NA Cs: NA Snow Duration: NA Building Code: FBC 8th Ed. 2023 Res. TPI Std: 2014 Rep Fac: Yes FT/RT:20(0)/10(0) Plate Type(s): WAVE	Defl/CSI Criteria PP Deflection in loc L/defl L/# VERT(LL): 0.194 C 999 360 VERT(CL): 0.407 C 999 240 HORZ(LL): 0.055 A - - HORZ(TL): 0.116 A - - Creep Factor: 2.0 Max TC CSI: 0.445 Max BC CSI: 0.774 Max Web CSI: 0.883 VIEW Ver: 24.02.00D.0114.10	▲ Maximum Reactions (lbs) Gravity Non-Gravity Loc R+ / R- / Rh / Rw / U / RL P 1448 /- /- /757 /0 /208 J 1458 /- /- /819 /- /- Wind reactions based on MWFRS P Brg Wid = 3.5 Min Req = 1.7 (Truss) J Brg Wid = - Min Req = - Bearing P is a rigid surface. Members not listed have forces less than 375# Maximum Top Chord Forces Per Ply (lbs) Chords Tens.Comp. Chords Tens. Comp. B - C 514 -3662 F - G 277 -1557 C - D 670 -4579 G - H 269 -2018 D - E 392 -2646 H - I 242 -2051 E - F 286 -1557 I - J 240 -2236
--------------------------------------------------------------------------------------------------------------------------------------------------------------------------------------	------------------------------------------------------------------------------------------------------------------------------------------------------------------------------------------------------------------------------------------------------------------------------------------------------------------------	----------------------------------------------------------------------------------------------------------------------------------------------------------------------------------------------------------------------------------------------------	-------------------------------------------------------------------------------------------------------------------------------------------------------------------------------------------------------------------------------------------------------------------------------------------------	---------------------------------------------------------------------------------------------------------------------------------------------------------------------------------------------------------------------------------------------------------------------------------------------------------------------------------------------------------------------------------------------------------------------------------------------------------------------------------------------------------------------------------------------------------------------------------

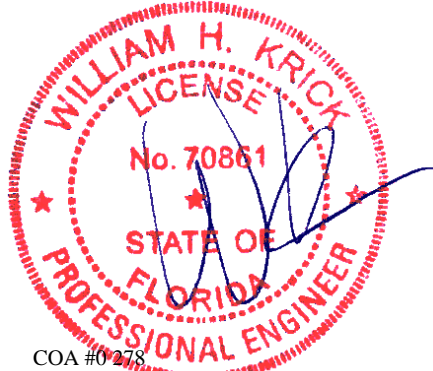
Lumber
Top chord: 2x4 SP #2;
Bot chord: 2x4 SP #2;
Webs: 2x4 SP #3;

Bracing
(a) Continuous lateral restraint equally spaced on member.

Wind
Wind loads based on MWFRS with additional C&C member design.
Left end vertical not exposed to wind pressure.
Wind loading based on both gable and hip roof types.

Additional Notes
The overall height of this truss excluding overhang is 10-6-13.

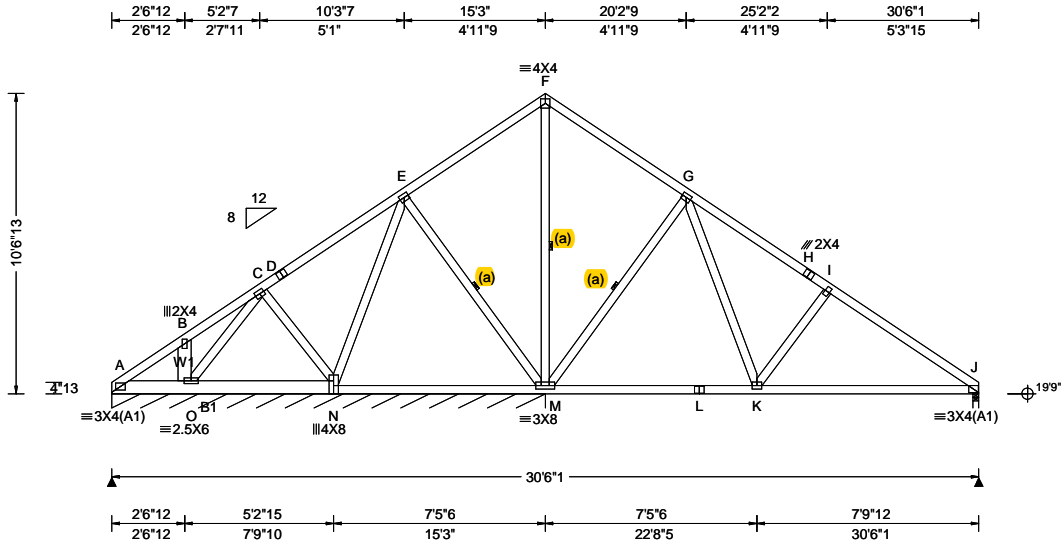
Maximum Bot Chord Forces Per Ply (lbs)			
Chords	Tens.Comp.	Chords	Tens. Comp.
P - O	2103 -343	M - L	1770 -110
O - N	2779 -315	L - K	1513 -60
N - M	2779 -315	K - J	1784 -131
Maximum Web Forces Per Ply (lbs)			
Webs	Tens.Comp.	Webs	Tens. Comp.
P - B	466 -2451	M - E	1092 -164
B - O	1850 -141	E - L	218 -929
O - C	429 -2598	F - L	1306 -207
O - D	2004 -332	L - G	136 -494
D - M	258 -1115	G - K	407 -29



COA #0278
02/12/2026
Florida Certificate of Product Approval #FL 1999

****WARNING** READ AND FOLLOW ALL NOTES ON THIS DRAWING!**
****IMPORTANT** FURNISH THIS DRAWING TO ALL CONTRACTORS INCLUDING THE INSTALLERS**
Trusses require extreme care in fabricating, handling, shipping, installing and bracing. Refer to and follow the latest edition of BCSI (Building Component Safety Information, by TPI and SBCA) for safety practices prior to performing these functions. Installers shall provide temporary bracing per BCSI. Unless noted otherwise, top chord shall have properly attached structural sheathing and bottom chord shall have a properly attached rigid ceiling. Locations shown for permanent lateral restraint of webs shall have continuous lateral restraint (CLR), installed with diagonal bracing installed on the CLR per BCSI sections B3, B7, or B10, as applicable. Apply plates to each face of truss and position as shown above and on the Joint Details, unless noted otherwise. Refer to drawings 160A-Z for standard plate positions. Refer to job's General Notes page for additional information.
Alpine, a division of ITW Building Components Group Inc. shall not be responsible for any deviation from this drawing, any failure to build the truss in conformance with ANSI/TPI 1, or for handling, shipping, installation and bracing of trusses. A seal on this drawing or cover page listing this drawing, indicates acceptance of professional engineering responsibility solely for the design shown. The suitability and use of this drawing for any structure is the responsibility of the Building Designer per ANSI/TPI 1 Sec.2.
For more information see these web sites: Alpine: alpineitw.com; TPI: tpinst.org; SBCA: sbccomponents.com; ICC: iccsafe.org; AWC: awc.org





Loading Criteria (psf) TCLL: 20.00 TCCL: 10.00 BCLL: 0.00 BCDL: 10.00 Des Ld: 40.00 NCBCLL: 10.00 Soffit: 2.00 Load Duration: 1.25 Spacing: 24.0 "	Wind Criteria Wind Std: ASCE 7-22 Speed: 130 mph Enclosure: Enclosed Risk Category: II EXP: B Kzt: NA Mean Height: 25.23 ft TCCL: 5.0 psf BCDL: 5.0 psf MWFRS Parallel Dist: 0 to h/2 C&C Dist a: 3.05 ft Loc. from endwall: not in 9.00 ft GCp: 0.18 Wind Duration: 1.60	Snow Criteria (Pg,Pf in PSF) Pg: NA Ct: NA CAT: NA Pf: NA Ce: NA Lu: NA Cs: NA Snow Duration: NA Building Code: FBC 8th Ed. 2023 Res. TPI Std: 2014 Rep Fac: Varies by Ld Case FT/RT:20(0)/10(0) Plate Type(s): WAVE	Defl/CSI Criteria PP Deflection in loc L/defl L/# VERT(LL): 0.010 K 999 360 VERT(CL): 0.020 K 999 240 HORZ(LL): 0.004 J - - HORZ(TL): 0.008 J - - Creep Factor: 2.0 Max TC CSI: 0.431 Max BC CSI: 0.502 Max Web CSI: 0.237 VIEW Ver: 24.02.00D.0114.10	▲ Maximum Reactions (lbs), or *=PLF <table style="width:100%; border-collapse: collapse;"> <thead> <tr> <th colspan="2"></th> <th colspan="3">Gravity</th> <th colspan="3">Non-Gravity</th> </tr> <tr> <th>Loc</th> <th>R+</th> <th>/ R-</th> <th>/ Rh</th> <th>/ Rw</th> <th>/ U</th> <th>/ RL</th> </tr> </thead> <tbody> <tr> <td>A*</td> <td>190</td> <td>-</td> <td>-</td> <td>-</td> <td>122</td> <td>-</td> </tr> <tr> <td>J</td> <td>549</td> <td>-</td> <td>-</td> <td>-</td> <td>176</td> <td>-</td> </tr> </tbody> </table> Wind reactions based on MWFRS A Brg Wid = 183 Min Req = - J Brg Wid = 2.5 Min Req = 1.5 (Truss) Bearings A & J are a rigid surface. Members not listed have forces less than 375# Maximum Top Chord Forces Per Ply (lbs) <table style="width:100%; border-collapse: collapse;"> <thead> <tr> <th>Chords</th> <th>Tens.Comp.</th> <th>Chords</th> <th>Tens. Comp.</th> </tr> </thead> <tbody> <tr> <td>B - C</td> <td>121 -465</td> <td>H - I</td> <td>63 -480</td> </tr> <tr> <td>G - H</td> <td>54 -454</td> <td>I - J</td> <td>126 -666</td> </tr> </tbody> </table> Maximum Bot Chord Forces Per Ply (lbs) <table style="width:100%; border-collapse: collapse;"> <thead> <tr> <th>Chords</th> <th>Tens.Comp.</th> </tr> </thead> <tbody> <tr> <td>K - J</td> <td>492 -80</td> </tr> </tbody> </table> Maximum Web Forces Per Ply (lbs) <table style="width:100%; border-collapse: collapse;"> <thead> <tr> <th>Webs</th> <th>Tens.Comp.</th> <th>Webs</th> <th>Tens. Comp.</th> </tr> </thead> <tbody> <tr> <td>B - O</td> <td>76 -920</td> <td>M - G</td> <td>99 -548</td> </tr> <tr> <td>F - M</td> <td>124 -433</td> <td>G - K</td> <td>445 0</td> </tr> </tbody> </table>			Gravity			Non-Gravity			Loc	R+	/ R-	/ Rh	/ Rw	/ U	/ RL	A*	190	-	-	-	122	-	J	549	-	-	-	176	-	Chords	Tens.Comp.	Chords	Tens. Comp.	B - C	121 -465	H - I	63 -480	G - H	54 -454	I - J	126 -666	Chords	Tens.Comp.	K - J	492 -80	Webs	Tens.Comp.	Webs	Tens. Comp.	B - O	76 -920	M - G	99 -548	F - M	124 -433	G - K	445 0
		Gravity			Non-Gravity																																																								
Loc	R+	/ R-	/ Rh	/ Rw	/ U	/ RL																																																							
A*	190	-	-	-	122	-																																																							
J	549	-	-	-	176	-																																																							
Chords	Tens.Comp.	Chords	Tens. Comp.																																																										
B - C	121 -465	H - I	63 -480																																																										
G - H	54 -454	I - J	126 -666																																																										
Chords	Tens.Comp.																																																												
K - J	492 -80																																																												
Webs	Tens.Comp.	Webs	Tens. Comp.																																																										
B - O	76 -920	M - G	99 -548																																																										
F - M	124 -433	G - K	445 0																																																										

Lumber

Top chord: 2x4 SP #2;
 Bot chord: 2x4 SP #2; B1 2x6 SP #2;
 Webs: 2x4 SP #3; W1 2x6 SP #2;

Bracing

(a) Continuous lateral restraint equally spaced on member.

Special Loads

----- (Lumber Dur.Fac.=1.25 / Plate Dur.Fac.=1.25)
 TC: From 64 plf at 0.00 to 64 plf at 30.51
 BC: From 20 plf at 0.00 to 20 plf at 30.51
 BC: 887 lb Conc. Load at 2.56

Plating Notes

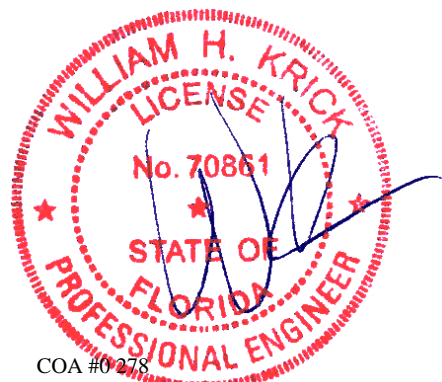
All plates are 3X4 except as noted.

Wind

Wind loads and reactions based on MWFRS.
 Wind loading based on both gable and hip roof types.

Additional Notes

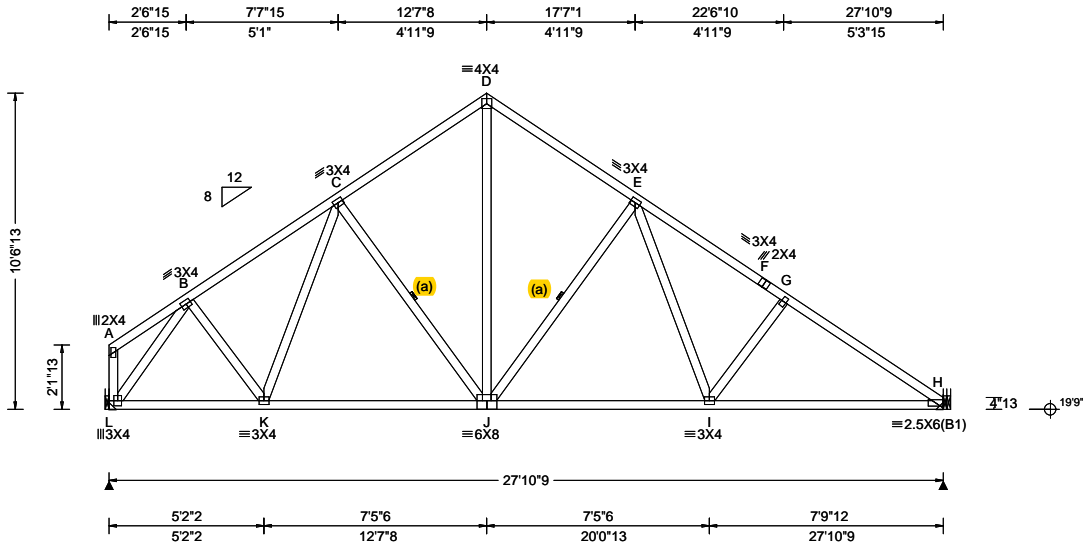
The overall height of this truss excluding overhang is 10-6-13.



COA #0218
 02/12/2026
 Florida Certificate of Product Approval #FL 1999

****WARNING** READ AND FOLLOW ALL NOTES ON THIS DRAWING!**
****IMPORTANT** FURNISH THIS DRAWING TO ALL CONTRACTORS INCLUDING THE INSTALLERS**
 Trusses require extreme care in fabricating, handling, shipping, installing and bracing. Refer to and follow the latest edition of BCSI (Building Component Safety Information, by TPI and SBCA) for safety practices prior to performing these functions. Installers shall provide temporary bracing per BCSI. Unless noted otherwise, top chord shall have properly attached structural sheathing and bottom chord shall have a properly attached rigid ceiling. Locations shown for permanent lateral restraint of webs shall have continuous lateral restraint (CLR), installed with diagonal bracing installed on the CLR per BCSI sections B3, B7, or B10, as applicable. Apply plates to each face of truss and position as shown above and on the Joint Details, unless noted otherwise. Refer to drawings 160A-Z for standard plate positions. Refer to job's General Notes page for additional information.
 Alpine, a division of ITW Building Components Group Inc. shall not be responsible for any deviation from this drawing, any failure to build the truss in conformance with ANSI/TPI 1, or for handling, shipping, installation and bracing of trusses. A seal on this drawing or cover page listing this drawing, indicates acceptance of professional engineering responsibility solely for the design shown. The suitability and use of this drawing for any structure is the responsibility of the Building Designer per ANSI/TPI 1 Sec.2.
 For more information see these web sites: Alpine: alpineitw.com; TPI: tpinst.org; SBCA: sbcacomponents.com; ICC: iccsafe.org; AWC: awc.org





Loading Criteria (psf) TCLL: 20.00 TCDL: 10.00 BCLL: 0.00 BCDL: 10.00 Des Ld: 40.00 NCBCLL: 10.00 Soffit: 2.00 Load Duration: 1.25 Spacing: 24.0 "	Wind Criteria Wind Std: ASCE 7-22 Speed: 130 mph Enclosure: Enclosed Risk Category: II EXP: B Kzt: NA Mean Height: 25.23 ft TCDL: 5.0 psf BCDL: 5.0 psf MWFRS Parallel Dist: h/2 to h C&C Dist a: 3.00 ft Loc. from endwall: not in 9.00 ft GCp: 0.18 Wind Duration: 1.60	Snow Criteria (Pg,Pf in PSF) Pg: NA Ct: NA CAT: NA Pf: NA Ce: NA Lu: NA Cs: NA Snow Duration: NA Building Code: FBC 8th Ed. 2023 Res. TPI Std: 2014 Rep Fac: Yes FT/RT:20(0)/10(0) Plate Type(s): WAVE	Defl/CSI Criteria PP Deflection in loc L/defl L/# VERT(LL): 0.049 E 999 360 VERT(CL): 0.103 E 999 240 HORZ(LL): 0.023 C - - HORZ(TL): 0.049 C - - Creep Factor: 2.0 Max TC CSI: 0.285 Max BC CSI: 0.610 Max Web CSI: 0.495 VIEW Ver: 24.02.00D.0114.10	▲ Maximum Reactions (lbs) Gravity Non-Gravity Loc R+ / R- / Rh / Rw / U / RL L 1166 /- /- /638 /28 /203 H 1177 /- /- /670 /25 /- Wind reactions based on MWFRS L Brg Wid = - Min Req = - H Brg Wid = - Min Req = - Members not listed have forces less than 375# Maximum Top Chord Forces Per Ply (lbs) Chords Tens.Comp. Chords Tens. Comp. B - C 169 -1199 E - F 200 -1538 C - D 208 -1058 F - G 172 -1564 D - E 206 -1057 G - H 171 -1749 Maximum Bot Chord Forces Per Ply (lbs) Chords Tens.Comp. Chords Tens. Comp. L - K 776 -68 J - I 1102 0 K - J 948 0 I - H 1383 -77 Maximum Web Forces Per Ply (lbs) Webs Tens.Comp. Webs Tens. Comp. L - B 118 -1325 J - E 137 -504 D - J 756 -130 E - I 420 -27
--------------------------------------------------------------------------------------------------------------------------------------------------------------------------------------	-------------------------------------------------------------------------------------------------------------------------------------------------------------------------------------------------------------------------------------------------------------------------------------------------------------------------	----------------------------------------------------------------------------------------------------------------------------------------------------------------------------------------------------------------------------------------------------	-------------------------------------------------------------------------------------------------------------------------------------------------------------------------------------------------------------------------------------------------------------------------------------------------	-----------------------------------------------------------------------------------------------------------------------------------------------------------------------------------------------------------------------------------------------------------------------------------------------------------------------------------------------------------------------------------------------------------------------------------------------------------------------------------------------------------------------------------------------------------------------------------------------------------------------------------------------------------------------------------------------------------------------------------------------------------------------------------------------------------------

Lumber

Top chord: 2x4 SP #2;
Bot chord: 2x4 SP #2;
Webs: 2x4 SP #3;

Bracing

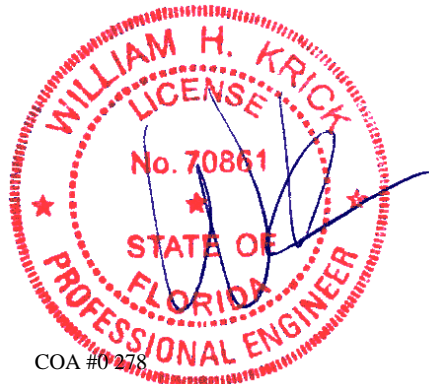
(a) Continuous lateral restraint equally spaced on member.

Wind

Wind loads based on MWFRS with additional C&C member design.
Left end vertical not exposed to wind pressure.
Wind loading based on both gable and hip roof types.

Additional Notes

The overall height of this truss excluding overhang is 10-6-13.

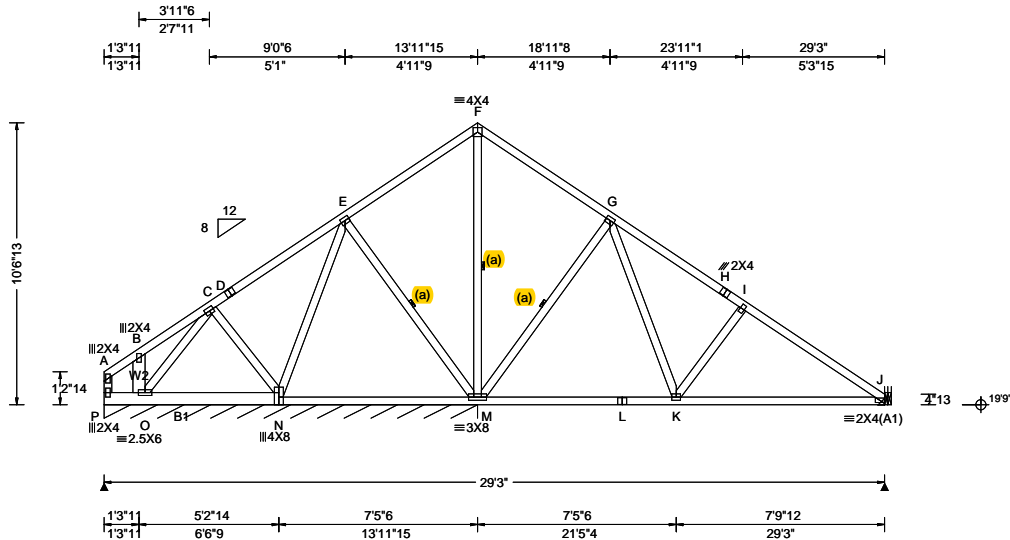


COA #0278

02/12/2026
Florida Certificate of Product Approval #FL 1999

****WARNING** READ AND FOLLOW ALL NOTES ON THIS DRAWING!**
****IMPORTANT** FURNISH THIS DRAWING TO ALL CONTRACTORS INCLUDING THE INSTALLERS**
Trusses require extreme care in fabricating, handling, shipping, installing and bracing. Refer to and follow the latest edition of BCSI (Building Component Safety Information, by TPI and SBCA) for safety practices prior to performing these functions. Installers shall provide temporary bracing per BCSI. Unless noted otherwise, top chord shall have properly attached structural sheathing and bottom chord shall have a properly attached rigid ceiling. Locations shown for permanent lateral restraint of webs shall have continuous lateral restraint (CLR), installed with diagonal bracing installed on the CLR per BCSI sections B3, B7, or B10, as applicable. Apply plates to each face of truss and position as shown above and on the Joint Details, unless noted otherwise. Refer to drawings 160A-Z for standard plate positions. Refer to job's General Notes page for additional information.
Alpine, a division of ITW Building Components Group Inc. shall not be responsible for any deviation from this drawing, any failure to build the truss in conformance with ANSI/TPI 1, or for handling, shipping, installation and bracing of trusses. A seal on this drawing or cover page listing this drawing, indicates acceptance of professional engineering responsibility solely for the design shown. The suitability and use of this drawing for any structure is the responsibility of the Building Designer per ANSI/TPI 1 Sec.2.
For more information see these web sites: Alpine: alpineitw.com; TPI: tpinst.org; SBCA: sbccomponents.com; ICC: iccsafe.org; AWC: awc.org





Loading Criteria (psf) TCCL: 20.00 TCCL: 10.00 BCLL: 0.00 BCDL: 10.00 Des Ld: 40.00 NCBCLL: 10.00 Soffit: 2.00 Load Duration: 1.25 Spacing: 24.0 "	Wind Criteria Wind Std: ASCE 7-22 Speed: 130 mph Enclosure: Enclosed Risk Category: II EXP: B Kzt: NA Mean Height: 25.23 ft TCCL: 5.0 psf BCDL: 5.0 psf MWFRS Parallel Dist: 0 to h/2 C&C Dist a: 3.00 ft Loc. from endwall: not in 9.00 ft GCp: 0.18 Wind Duration: 1.60	Snow Criteria (Pg,Pf in PSF) Pg: NA Ct: NA CAT: NA Pf: NA Ce: NA Lu: NA Cs: NA Snow Duration: NA Building Code: FBC 8th Ed. 2023 Res. TPI Std: 2014 Rep Fac: Varies by Ld Case FT/RT:20(0)/10(0) Plate Type(s): WAVE	Defl/CSI Criteria PP Deflection in loc L/defl L/# VERT(LL): 0.010 I 999 360 VERT(CL): 0.020 K 999 240 HORZ(LL): 0.004 J - - HORZ(TL): 0.008 J - - Creep Factor: 2.0 Max TC CSI: 0.437 Max BC CSI: 0.500 Max Web CSI: 0.239 VIEW Ver: 24.02.00D.0114.10	▲ Maximum Reactions (lbs), or *=PLF <table style="width:100%; border-collapse: collapse;"> <tr> <th colspan="3">Gravity</th> <th colspan="3">Non-Gravity</th> </tr> <tr> <th>Loc</th> <th>R+</th> <th>/R-</th> <th>/Rh</th> <th>/Rw</th> <th>/U</th> <th>/RL</th> </tr> <tr> <td>P*</td> <td>200</td> <td>-/-</td> <td>-/-</td> <td>-/-</td> <td>123</td> <td>-/-</td> </tr> <tr> <td>J</td> <td>548</td> <td>-/-</td> <td>-/-</td> <td>-/-</td> <td>177</td> <td>-/-</td> </tr> </table> Wind reactions based on MWFRS P Brg Wid = 168 Min Req = - J Brg Wid = - Min Req = - Bearing P is a rigid surface. Members not listed have forces less than 375# Maximum Top Chord Forces Per Ply (lbs) <table style="width:100%; border-collapse: collapse;"> <tr> <th>Chords</th> <th>Tens.Comp.</th> <th>Chords</th> <th>Tens. Comp.</th> </tr> <tr> <td>G - H</td> <td>54 -449</td> <td>I - J</td> <td>127 -661</td> </tr> <tr> <td>H - I</td> <td>63 -475</td> <td></td> <td></td> </tr> </table> Maximum Bot Chord Forces Per Ply (lbs) <table style="width:100%; border-collapse: collapse;"> <tr> <th>Chords</th> <th>Tens.Comp.</th> </tr> <tr> <td>K - J</td> <td>487 -80</td> </tr> </table> Maximum Web Forces Per Ply (lbs) <table style="width:100%; border-collapse: collapse;"> <tr> <th>Webs</th> <th>Tens.Comp.</th> <th>Webs</th> <th>Tens. Comp.</th> </tr> <tr> <td>B - O</td> <td>70 -912</td> <td>F - M</td> <td>127 -437</td> </tr> <tr> <td>M - G</td> <td>101 -547</td> <td>G - K</td> <td>443 0</td> </tr> </table>	Gravity			Non-Gravity			Loc	R+	/R-	/Rh	/Rw	/U	/RL	P*	200	-/-	-/-	-/-	123	-/-	J	548	-/-	-/-	-/-	177	-/-	Chords	Tens.Comp.	Chords	Tens. Comp.	G - H	54 -449	I - J	127 -661	H - I	63 -475			Chords	Tens.Comp.	K - J	487 -80	Webs	Tens.Comp.	Webs	Tens. Comp.	B - O	70 -912	F - M	127 -437	M - G	101 -547	G - K	443 0
Gravity			Non-Gravity																																																								
Loc	R+	/R-	/Rh	/Rw	/U	/RL																																																					
P*	200	-/-	-/-	-/-	123	-/-																																																					
J	548	-/-	-/-	-/-	177	-/-																																																					
Chords	Tens.Comp.	Chords	Tens. Comp.																																																								
G - H	54 -449	I - J	127 -661																																																								
H - I	63 -475																																																										
Chords	Tens.Comp.																																																										
K - J	487 -80																																																										
Webs	Tens.Comp.	Webs	Tens. Comp.																																																								
B - O	70 -912	F - M	127 -437																																																								
M - G	101 -547	G - K	443 0																																																								

Lumber

Top chord: 2x4 SP #2;
 Bot chord: 2x4 SP #2; B1 2x6 SP #2;
 Webs: 2x4 SP #3; W2 2x6 SP #2;

Bracing

(a) Continuous lateral restraint equally spaced on member.

Special Loads

----- (Lumber Dur.Fac.=1.25 / Plate Dur.Fac.=1.25)
 TC: From 64 plf at 0.00 to 64 plf at 29.25
 BC: From 20 plf at 0.00 to 20 plf at 29.25
 BC: 894 lb Conc. Load at 1.31

Plating Notes

All plates are 3X4 except as noted.

Wind

Wind loads and reactions based on MWFRS.
 Left end vertical not exposed to wind pressure.
 Wind loading based on both gable and hip roof types.

Additional Notes

The overall height of this truss excluding overhang is 10-6-13.



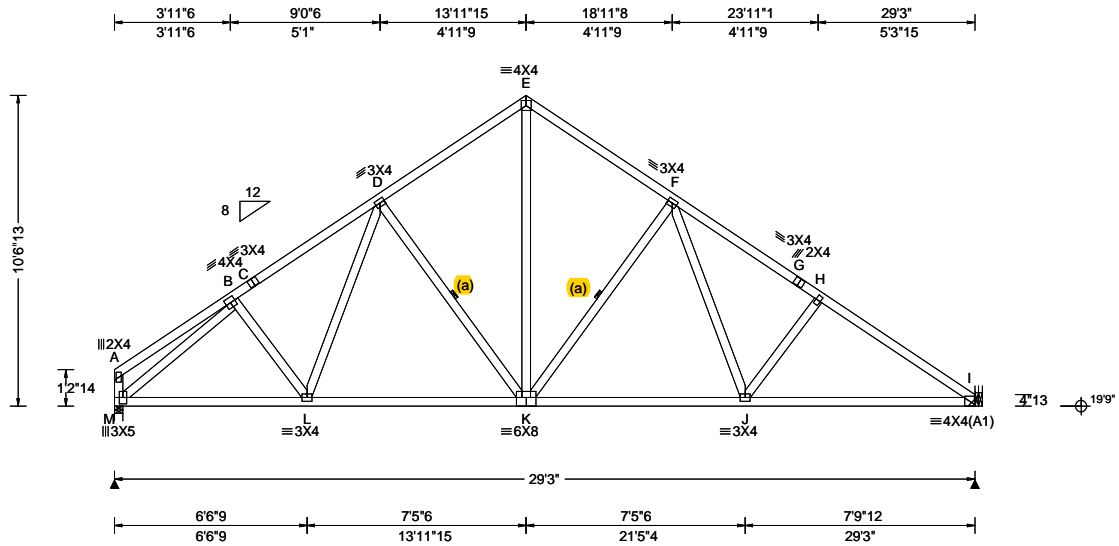
COA #0278

02/12/2026

Florida Certificate of Product Approval #FL 1999

****WARNING** READ AND FOLLOW ALL NOTES ON THIS DRAWING!**
****IMPORTANT** FURNISH THIS DRAWING TO ALL CONTRACTORS INCLUDING THE INSTALLERS**
 Trusses require extreme care in fabricating, handling, shipping, installing and bracing. Refer to and follow the latest edition of BCSI (Building Component Safety Information, by TPI and SBCA) for safety practices prior to performing these functions. Installers shall provide temporary bracing per BCSI. Unless noted otherwise, top chord shall have properly attached structural sheathing and bottom chord shall have a properly attached rigid ceiling. Locations shown for permanent lateral restraint of webs shall have continuous lateral restraint (CLR), installed with diagonal bracing installed on the CLR per BCSI sections B3, B7, or B10, as applicable. Apply plates to each face of truss and position as shown above and on the Joint Details, unless noted otherwise. Refer to drawings 160A-Z for standard plate positions. Refer to job's General Notes page for additional information.
 Alpine, a division of ITW Building Components Group Inc. shall not be responsible for any deviation from this drawing, any failure to build the truss in conformance with ANSI/TPI 1, or for handling, shipping, installation and bracing of trusses. A seal on this drawing or cover page listing this drawing, indicates acceptance of professional engineering responsibility solely for the design shown. The suitability and use of this drawing for any structure is the responsibility of the Building Designer per ANSI/TPI 1 Sec.2.
 For more information see these web sites: Alpine: alpineitw.com; TPI: tpinst.org; SBCA: sbccomponents.com; ICC: iccsafe.org; AWC: awc.org





Loading Criteria (psf)	Wind Criteria	Snow Criteria (Pg,Pf in PSF)	Defl/CSI Criteria	▲ Maximum Reactions (lbs)
TCLL: 20.00 TCDL: 10.00 BCLL: 0.00 BCDL: 10.00 Des Ld: 40.00 NCBCLL: 10.00 Soffit: 2.00 Load Duration: 1.25 Spacing: 24.0 "	Wind Std: ASCE 7-22 Speed: 130 mph Enclosure: Enclosed Risk Category: II EXP: B Kzt: NA Mean Height: 25.23 ft TCDL: 5.0 psf BCDL: 5.0 psf MWFRS Parallel Dist: 0 to h/2 C&C Dist a: 3.00 ft Loc. from endwall: not in 9.00 ft GCp: 0.18 Wind Duration: 1.60	Pg: NA Ct: NA CAT: NA Pf: NA Ce: NA Lu: NA Cs: NA Snow Duration: NA Building Code: FBC 8th Ed. 2023 Res. TPI Std: 2014 Rep Fac: Yes FT/RT:20(0)/10(0) Plate Type(s): WAVE	PP Deflection in loc L/defl L/# VERT(LL): 0.074 F 999 360 VERT(CL): 0.142 F 999 240 HORZ(LL): 0.035 I - - HORZ(TL): 0.067 I - - Creep Factor: 2.0 Max TC CSI: 0.313 Max BC CSI: 0.714 Max Web CSI: 0.930 VIEW Ver: 24.02.00D.0114.10	Gravity Loc R+ / R- / Rh / Rw / U / RL M 1353 /- /- /680 /175 /203 I 1354 /- /- /699 /175 /- Non-Gravity Wind reactions based on MWFRS M Brg Wid = 3.5 Min Req = 1.6 (Truss) I Brg Wid = - Min Req = - Bearing M is a rigid surface. Members not listed have forces less than 375# Maximum Top Chord Forces Per Ply (lbs) Chords Tens.Comp. Chords Tens. Comp. B - C 272 -1705 F - G 330 -1856 C - D 301 -1675 G - H 301 -1881 D - E 313 -1321 H - I 302 -2066 E - F 312 -1320

Lumber

Top chord: 2x4 SP #2;
Bot chord: 2x4 SP #2;
Webs: 2x4 SP #3;

Bracing

(a) Continuous lateral restraint equally spaced on member.

Loading

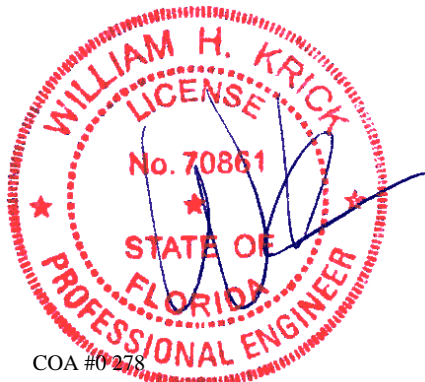
Truss passed check for 20 psf additional bottom chord live load in areas with 42"-high x 24"-wide clearance.

Wind

Wind loads based on MWFRS with additional C&C member design.
Left end vertical not exposed to wind pressure.
Wind loading based on both gable and hip roof types.

Additional Notes

The overall height of this truss excluding overhang is 10'-6-13.

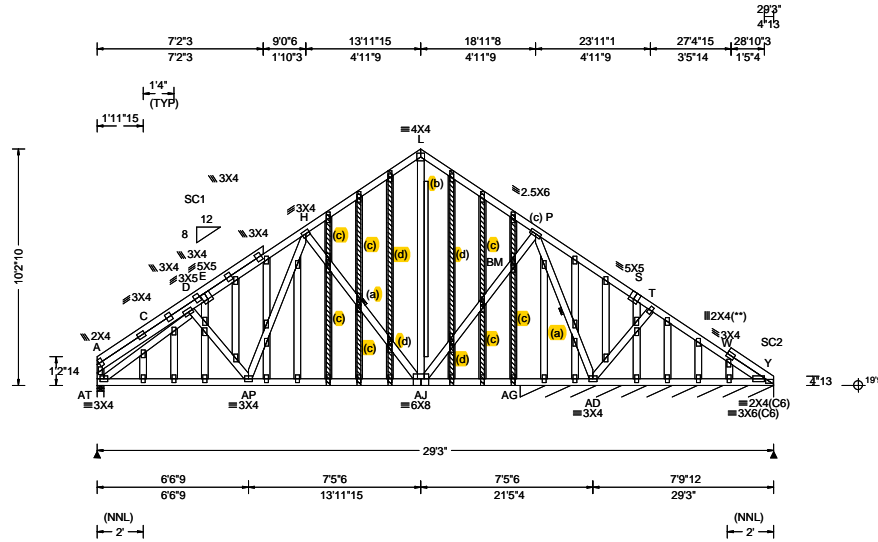


COA #0278

02/12/2026
Florida Certificate of Product Approval #FL 1999

****WARNING** READ AND FOLLOW ALL NOTES ON THIS DRAWING!**
****IMPORTANT** FURNISH THIS DRAWING TO ALL CONTRACTORS INCLUDING THE INSTALLERS**
Trusses require extreme care in fabricating, handling, shipping, installing and bracing. Refer to and follow the latest edition of BCSI (Building Component Safety Information, by TPI and SBCA) for safety practices prior to performing these functions. Installers shall provide temporary bracing per BCSI. Unless noted otherwise, top chord shall have properly attached structural sheathing and bottom chord shall have a properly attached rigid ceiling. Locations shown for permanent lateral restraint of webs shall have continuous lateral restraint (CLR), installed with diagonal bracing installed on the CLR per BCSI sections B3, B7, or B10, as applicable. Apply plates to each face of truss and position as shown above and on the Joint Details, unless noted otherwise. Refer to drawings 160A-Z for standard plate positions. Refer to job's General Notes page for additional information.
Alpine, a division of ITW Building Components Group Inc. shall not be responsible for any deviation from this drawing, any failure to build the truss in conformance with ANSI/TPI 1, or for handling, shipping, installation and bracing of trusses. A seal on this drawing or cover page listing this drawing, indicates acceptance of professional engineering responsibility solely for the design shown. The suitability and use of this drawing for any structure is the responsibility of the Building Designer per ANSI/TPI 1 Sec.2.
For more information see these web sites: Alpine: alpineitw.com; TPI: tpinst.org; SBCA: sbccomponents.com; ICC: iccsafe.org; AWC: awc.org





Loading Criteria (psf) TCCL: 20.00 TCDL: 10.00 BCLL: 0.00 BCDL: 10.00 Des Ld: 40.00 NCBCLL: 10.00 Soffit: 2.00 Load Duration: 1.25 Spacing: 24.0 "	Wind Criteria Wind Std: ASCE 7-22 Speed: 130 mph Enclosure: Enclosed Risk Category: II EXP: B Kzt: NA Mean Height: 25.01 ft TCDL: 5.0 psf BCDL: 5.0 psf MWFRS Parallel Dist: 0 to h/2 C&C Dist a: 3.00 ft Loc. from endwall: not in 6.06 ft GCp: 0.18 Wind Duration: 1.60	Snow Criteria (Pg,Pf in PSF) Pg: NA Ct: NA CAT: NA Pf: NA Ce: NA Lu: NA Cs: NA Snow Duration: NA Building Code: FBC 8th Ed. 2023 Res. TPI Std: 2014 Rep Fac: Varies by Ld Case FT/RT:20(0)/10(0) Plate Type(s): WAVE	Defl/CSI Criteria PP Deflection in loc L/defl L/# VERT(LL): 0.049 AL 999 360 VERT(CL): 0.118 AL 999 240 HORZ(LL): 0.021 J - - HORZ(TL): 0.049 J - - Creep Factor: 2.0 Max TC CSI: 0.407 Max BC CSI: 0.497 Max Web CSI: 0.914 VIEW Ver: 24.02.00D.0114.10	▲ Maximum Reactions (lbs), or *=PLF Gravity Non-Gravity Loc R+ / R- / Rh / Rw / U / RL AT 1253 /- /- /513 /14 /276 Y* 243 /- /- /106 /28 /- Wind reactions based on MWFRS AT Brg Wid = 3.5 Min Req = 1.5 (Truss) Y Brg Wid = 131 Min Req = - Bearings AT & AG are a rigid surface. Members not listed have forces less than 375# Maximum Top Chord Forces Per Ply (lbs) Chords Tens.Comp. Chords Tens. Comp.
				D - E 68 - 1483 L - P 258 - 745 E - H 88 - 1426 P - S 388 0 H - L 257 - 804

Lumber
 Top chord: 2x4 SP #2;
 Bot chord: 2x4 SP #2;
 Webs: 2x4 SP #3;
 Stack Chord: SC1 2x4 SP #2;
 Stack Chord: SC2 2x4 SP #2;

Bracing
 (a) Continuous lateral restraint equally spaced on member.

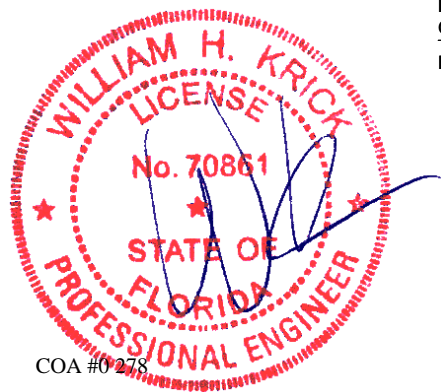
Plating Notes
 All plates are 2X4 except as noted.
 (**) 1 plate(s) require special positioning. Refer to scaled plate plot details for special positioning requirements.

Gable Reinforcement
 (b) 2x6 "L" reinforcement. Any species and grade. 80% length of web member. Attach with 10d (0.131"x3",min.) nails @ 2" oc at each end for the first 18" and then 4" oc for the remainder.
 (c) 2x3 "T" reinforcement. Any species and grade. Full truss height along web member. Attach to the wide face with 10d (0.131"x3",min.) nails @ 4" oc in the web plus (2)10d (0.131"x3",min.) nails in each chord.
 (d) 2x3 "T" reinforcement. Same species and grade as web. Full truss height along web member. Attach to the wide face with 10d (0.131"x3",min.) nails @ 4" oc in the web plus (2)10d (0.131"x3",min.) nails in each chord.

Maximum Bot Chord Forces Per Ply (lbs)
 Chords Tens.Comp. Chords Tens. Comp.
 AT-AP 1299 0 AP-AJ 1003 0

Maximum Web Forces Per Ply (lbs)
 Webs Tens.Comp. Webs Tens. Comp.
 AT- D 0 - 1584 AJ- P 830 0
 AP- H 494 0 P- AD 0 - 1110
 H- AJ 87 - 779

Maximum Gable Forces Per Ply (lbs)
 Gables Tens.Comp.
 BM-AG 77 - 491



COA #0278
 02/12/2006
 Florida Certificate of Product Approval #FL 1999

****WARNING** READ AND FOLLOW ALL NOTES ON THIS DRAWING!**
****IMPORTANT** FURNISH THIS DRAWING TO ALL CONTRACTORS INCLUDING THE INSTALLERS**
 Trusses require extreme care in fabricating, handling, shipping, installing and bracing. Refer to and follow the latest edition of BCSI (Building Component Safety Information, by TPI and SBCA) for safety practices prior to performing these functions. Installers shall provide temporary bracing per BCSI. Unless noted otherwise, top chord shall have properly attached structural sheathing and bottom chord shall have a properly attached rigid ceiling. Locations shown for permanent lateral restraint of webs shall have continuous lateral restraint (CLR), installed with diagonal bracing installed on the CLR per BCSI sections B3, B7, or B10, as applicable. Apply plates to each face of truss and position as shown above and on the Joint Details, unless noted otherwise. Refer to drawings 160A-Z for standard plate positions. Refer to job's General Notes page for additional information.
 Alpine, a division of ITW Building Components Group Inc. shall not be responsible for any deviation from this drawing, any failure to build the truss in conformance with ANSI/TPI 1, or for handling, shipping, installation and bracing of trusses. A seal on this drawing or cover page listing this drawing, indicates acceptance of professional engineering responsibility solely for the design shown. The suitability and use of this drawing for any structure is the responsibility of the Building Designer per ANSI/TPI 1 Sec.2.
 For more information see these web sites: Alpine: alpineitw.com; TPI: tpinst.org; SBCA: sbcacomponents.com; ICC: iccsafe.org; AWC: awc.org



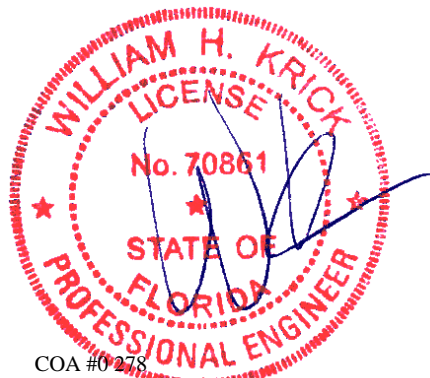
SEQN: 725730	GABL	Ply: 1	Job Number: 25-2668B	Cust: R215 JRef: 1YHK2150006 T39
FROM: RFG		Qty: 1	THOMAS RESIDENCE	DrwNo: 043.26.0841.57280
Page 2 of 2			Truss Label: A6E	/ WHK 02/12/2026

Additional Notes

Exposed portion of gable face shall be reinforced with sheathing and the wind pressures shall be transferred into lateral diaphragms. Connections and designs for diaphragms is the responsibility of the Building Designer in accordance with ANSI/TPI 1.

Stacked top chord must NOT be notched or cut in area (NNL). Dropped top chord braced at 24" oc intervals. Attach stacked top chord (SC) to dropped top chord in notchable area using 3x4 tie-plates 24" oc. Center plate on stacked/dropped chord interface, plate length perpendicular to chord length. Splice top chord in notchable area using 3x6.

The overall height of this truss excluding overhang is 10-2-10.

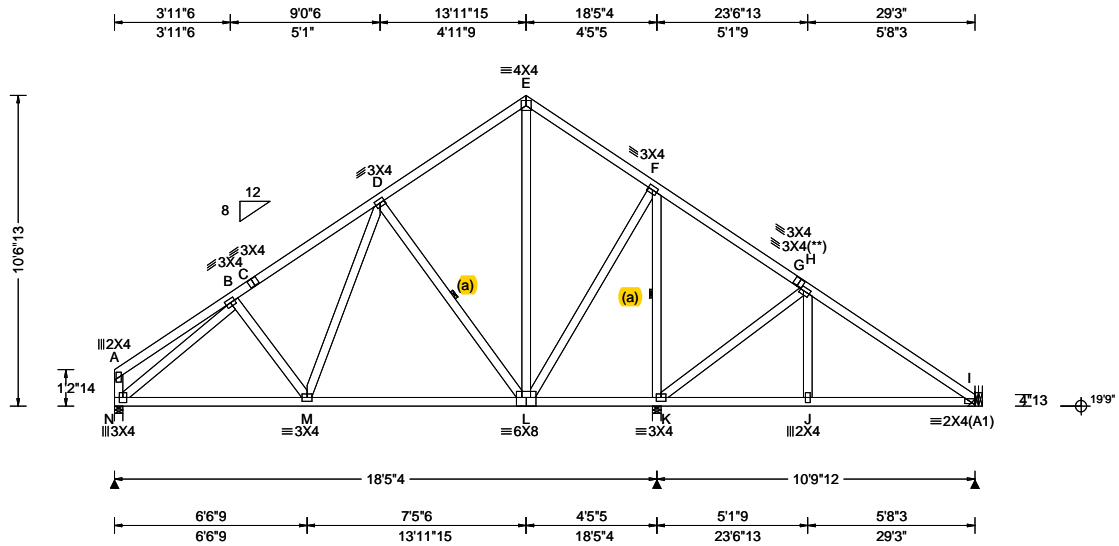


COA #0278

Florida Certificate of Product Approval #FL 1999

****WARNING** READ AND FOLLOW ALL NOTES ON THIS DRAWING!**
****IMPORTANT** FURNISH THIS DRAWING TO ALL CONTRACTORS INCLUDING THE INSTALLERS**
 Trusses require extreme care in fabricating, handling, shipping, installing and bracing. Refer to and follow the latest edition of BCSI (Building Component Safety Information, by TPI and SBCA) for safety practices prior to performing these functions. Installers shall provide temporary bracing per BCSI. Unless noted otherwise, top chord shall have properly attached structural sheathing and bottom chord shall have a properly attached rigid ceiling. Locations shown for permanent lateral restraint of webs shall have continuous lateral restraint (CLR), installed with diagonal bracing installed on the CLR per BCSI sections B3, B7, or B10, as applicable. Apply plates to each face of truss and position as shown above and on the Joint Details, unless noted otherwise. Refer to drawings 160A-Z for standard plate positions. Refer to job's General Notes page for additional information.
 Alpine, a division of ITW Building Components Group Inc. shall not be responsible for any deviation from this drawing, any failure to build the truss in conformance with ANSI/TPI 1, or for handling, shipping, installation and bracing of trusses. A seal on this drawing or cover page listing this drawing, indicates acceptance of professional engineering responsibility solely for the design shown. The suitability and use of this drawing for any structure is the responsibility of the Building Designer per ANSI/TPI 1 Sec.2.
 For more information see these web sites: Alpine: alpineitw.com; TPI: tpinst.org; SBCA: sbcacomponents.com; ICC: iccsafe.org; AWC: awc.org





Loading Criteria (psf) TCLL: 20.00 TCDL: 10.00 BCLL: 0.00 BCDL: 10.00 Des Ld: 40.00 NCBCLL: 10.00 Soffit: 2.00 Load Duration: 1.25 Spacing: 24.0 "	Wind Criteria Wind Std: ASCE 7-22 Speed: 130 mph Enclosure: Enclosed Risk Category: II EXP: B Kzt: NA Mean Height: 25.23 ft TCDL: 5.0 psf BCDL: 5.0 psf MWFRS Parallel Dist: h to 2h C&C Dist a: 3.00 ft Loc. from endwall: not in 9.00 ft GCp: 0.18 Wind Duration: 1.60	Snow Criteria (Pg,Pf in PSF) Pg: NA Ct: NA CAT: NA Pf: NA Ce: NA Lu: NA Cs: NA Snow Duration: NA Building Code: FBC 8th Ed. 2023 Res. TPI Std: 2014 Rep Fac: Yes FT/RT:20(0)/10(0) Plate Type(s): WAVE	Defl/CSI Criteria PP Deflection in loc L/defl L/# VERT(LL): 0.021 M 999 360 VERT(CL): 0.042 M 999 240 HORZ(LL): 0.010 B - - HORZ(TL): 0.020 B - - Creep Factor: 2.0 Max TC CSI: 0.360 Max BC CSI: 0.540 Max Web CSI: 0.518 VIEW Ver: 24.02.00D.0114.10	▲ Maximum Reactions (lbs) Gravity Loc R+ / R- / Rh / Rw / U / RL N 815 -/- /- /423 -/- /203 K 1382 -/- /- /711 -/- /- I 399 -/- /- /253 -/- /- Wind reactions based on MWFRS N Brg Wid = 3.5 Min Req = 1.5 (Truss) K Brg Wid = 3.5 Min Req = 1.5 (Truss) I Brg Wid = - Min Req = - Bearings N & K are a rigid surface. Members not listed have forces less than 375# Maximum Top Chord Forces Per Ply (lbs) Chords Tens.Comp. Chords Tens. Comp. B - C 109 -911 E - F 161 -409 C - D 137 -881 H - I 58 -427 D - E 155 -430 Maximum Bot Chord Forces Per Ply (lbs) Chords Tens.Comp. Chords Tens. Comp. N - M 753 -100 M - L 571 -53 Maximum Web Forces Per Ply (lbs) Webs Tens.Comp. Webs Tens. Comp. N - B 57 -982 F - K 90 -1046 D - L 133 -497 K - H 108 -451 L - F 607 0
--------------------------------------------------------------------------------------------------------------------------------------------------------------------------------------	------------------------------------------------------------------------------------------------------------------------------------------------------------------------------------------------------------------------------------------------------------------------------------------------------------------------	----------------------------------------------------------------------------------------------------------------------------------------------------------------------------------------------------------------------------------------------------	-------------------------------------------------------------------------------------------------------------------------------------------------------------------------------------------------------------------------------------------------------------------------------------------------	------------------------------------------------------------------------------------------------------------------------------------------------------------------------------------------------------------------------------------------------------------------------------------------------------------------------------------------------------------------------------------------------------------------------------------------------------------------------------------------------------------------------------------------------------------------------------------------------------------------------------------------------------------------------------------------------------------------------------------------------------------------------------------------------------------------------------------------------------------------------------------------

Lumber

Top chord: 2x4 SP #2;
Bot chord: 2x4 SP #2;
Webs: 2x4 SP #3;

Bracing

(a) Continuous lateral restraint equally spaced on member.

Plating Notes

(**) 1 plate(s) require special positioning. Refer to scaled plate plot details for special positioning requirements.

Loading

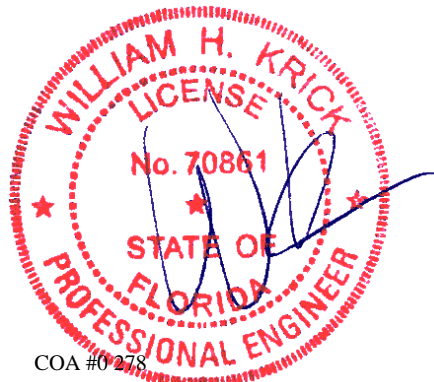
Truss passed check for 20 psf additional bottom chord live load in areas with 42"-high x 24"-wide clearance.

Wind

Wind loads based on MWFRS with additional C&C member design.
Left end vertical not exposed to wind pressure.
Wind loading based on both gable and hip roof types.

Additional Notes

The overall height of this truss excluding overhang is 10-6-13.

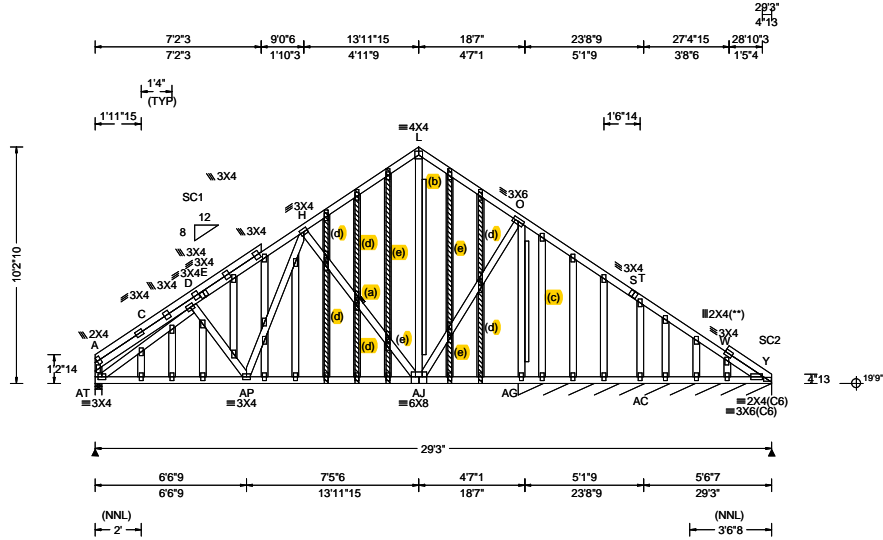


COA #0278

02/12/2026
Florida Certificate of Product Approval #FL 1999

****WARNING** READ AND FOLLOW ALL NOTES ON THIS DRAWING!**
****IMPORTANT** FURNISH THIS DRAWING TO ALL CONTRACTORS INCLUDING THE INSTALLERS**
Trusses require extreme care in fabricating, handling, shipping, installing and bracing. Refer to and follow the latest edition of BCSI (Building Component Safety Information, by TPI and SBCA) for safety practices prior to performing these functions. Installers shall provide temporary bracing per BCSI. Unless noted otherwise, top chord shall have properly attached structural sheathing and bottom chord shall have a properly attached rigid ceiling. Locations shown for permanent lateral restraint of webs shall have continuous lateral restraint (CLR), installed with diagonal bracing installed on the CLR per BCSI sections B3, B7, or B10, as applicable. Apply plates to each face of truss and position as shown above and on the Joint Details, unless noted otherwise. Refer to drawings 160A-Z for standard plate positions. Refer to job's General Notes page for additional information.
Alpine, a division of ITW Building Components Group Inc. shall not be responsible for any deviation from this drawing, any failure to build the truss in conformance with ANSI/TPI 1, or for handling, shipping, installation and bracing of trusses. A seal on this drawing or cover page listing this drawing, indicates acceptance of professional engineering responsibility solely for the design shown. The suitability and use of this drawing for any structure is the responsibility of the Building Designer per ANSI/TPI 1 Sec.2.
For more information see these web sites: Alpine: alpineitw.com; TPI: tpinst.org; SBCA: sbcacomponents.com; ICC: iccsafe.org; AWC: awc.org





Loading Criteria (psf) TCLL: 20.00 TCDL: 10.00 BCLL: 0.00 BCDL: 10.00 Des Ld: 40.00 NCBCLL: 10.00 Soffit: 2.00 Load Duration: 1.25 Spacing: 24.0 "	Wind Criteria Wind Std: ASCE 7-22 Speed: 130 mph Enclosure: Enclosed Risk Category: II EXP: B Kzt: NA Mean Height: 25.01 ft TCDL: 5.0 psf BCDL: 5.0 psf MWFRS Parallel Dist: 0 to h/2 C&C Dist a: 3.00 ft Loc. from endwall: not in 12.11 ft GCp: 0.18 Wind Duration: 1.60	Snow Criteria (Pg,Pf in PSF) Pg: NA Ct: NA CAT: NA Pf: NA Ce: NA Lu: NA Cs: NA Snow Duration: NA Building Code: FBC 8th Ed. 2023 Res. TPI Std: 2014 Rep Fac: Varies by Ld Case FT/RT:20(0)/10(0) Plate Type(s): WAVE	Defl/CSI Criteria PP Deflection in loc L/defl L/# VERT(LL): 0.045 J 999 360 VERT(CL): 0.108 J 999 240 HORZ(LL): 0.019 J - - HORZ(TL): 0.046 J - - Creep Factor: 2.0 Max TC CSI: 0.428 Max BC CSI: 0.517 Max Web CSI: 0.982 VIEW Ver: 24.02.00D.0114.10	▲ Maximum Reactions (lbs), or *=PLF Gravity Non-Gravity Loc R+ / R- / Rh / Rw / U / RL AT 1167 -/- /- /481 -/- /276 Y* 251 -/- /- /108 /15 -/- Wind reactions based on MWFRS AT Brg Wid = 3.5 Min Req = 1.5 (Truss) Y Brg Wid = 131 Min Req = - Bearings AT & AG are a rigid surface. Members not listed have forces less than 375# Maximum Top Chord Forces Per Ply (lbs) Chords Tens.Comp. Chords Tens. Comp. D - E 43 - 1341 H - L 224 - 658 E - H 68 - 1298 L - O 220 - 590
--------------------------------------------------------------------------------------------------------------------------------------------------------------------------------------	--------------------------------------------------------------------------------------------------------------------------------------------------------------------------------------------------------------------------------------------------------------------------------------------------------------------------	------------------------------------------------------------------------------------------------------------------------------------------------------------------------------------------------------------------------------------------------------------------	-------------------------------------------------------------------------------------------------------------------------------------------------------------------------------------------------------------------------------------------------------------------------------------------------	--------------------------------------------------------------------------------------------------------------------------------------------------------------------------------------------------------------------------------------------------------------------------------------------------------------------------------------------------------------------------------------------------------------------------------------------------------------------------------------------------------------------------------------

Lumber
Top chord: 2x4 SP #2;
Bot chord: 2x4 SP #2;
Webs: 2x4 SP #3;
Stack Chord: SC1 2x4 SP #2;
Stack Chord: SC2 2x4 SP #2;

Bracing
(a) Continuous lateral restraint equally spaced on member.

Plating Notes
All plates are 2X4 except as noted.
(**) 1 plate(s) require special positioning. Refer to scaled plate plot details for special positioning requirements.

Loading
Truss designed to support 1-4-0 top chord outlookers and cladding load not to exceed 5.00 PSF one face and 24.0" span opposite face. Top chord must not be cut or notched, unless specified otherwise.

Wind
Wind loads based on MWFRS with additional C&C member design.
Left end vertical not exposed to wind pressure.
Wind loading based on both gable and hip roof types.
Gable meets L/120 deflection criteria for wind load applied to face. Calculated deflection ratio is L/208.

Additional Notes
Exposed portion of gable face shall be reinforced with sheathing and the wind pressures shall be transferred into lateral diaphragms. Connections and designs for diaphragms is the responsibility of the Building Designer in accordance with ANSI/TPI 1.
Stacked top chord must NOT be notched or cut in area (NNL). Dropped top chord braced at 24" oc intervals. Attach stacked top chord (SC) to dropped top chord in notchable area using 3x4 tie-plates 24" oc. Center plate on stacked/dropped chord interface, plate length perpendicular to chord length. Splice top chord in notchable area using 3x6.
The overall height of this truss excluding overhang is 10-2-10.

Maximum Bot Chord Forces Per Ply (lbs)

Chords	Tens.Comp.	Chords	Tens. Comp.
AT-AP	1190	0	AP-AJ 884 -6

Maximum Web Forces Per Ply (lbs)

Webs	Tens.Comp.	Webs	Tens. Comp.
AT- D	0 - 1438	AJ- O	968 0
AP- H	502 0	O -AG	0 - 1363
H -AJ	72 - 781		



COA #0278
02/12/2026
Florida Certificate of Product Approval #FL 1999

****WARNING** READ AND FOLLOW ALL NOTES ON THIS DRAWING!**
****IMPORTANT** FURNISH THIS DRAWING TO ALL CONTRACTORS INCLUDING THE INSTALLERS**
Trusses require extreme care in fabricating, handling, shipping, installing and bracing. Refer to and follow the latest edition of BCSI (Building Component Safety Information, by TPI and SBCA) for safety practices prior to performing these functions. Installers shall provide temporary bracing per BCSI. Unless noted otherwise, top chord shall have properly attached structural sheathing and bottom chord shall have a properly attached rigid ceiling. Locations shown for permanent lateral restraint of webs shall have continuous lateral restraint (CLR), installed with diagonal bracing installed on the CLR per BCSI sections B3, B7, or B10, as applicable. Apply plates to each face of truss and position as shown above and on the Joint Details, unless noted otherwise. Refer to drawings 160A-Z for standard plate positions. Refer to job's General Notes page for additional information.
Alpine, a division of ITW Building Components Group Inc. shall not be responsible for any deviation from this drawing, any failure to build the truss in conformance with ANSI/TPI 1, or for handling, shipping, installation and bracing of trusses. A seal on this drawing or cover page listing this drawing, indicates acceptance of professional engineering responsibility solely for the design shown. The suitability and use of this drawing for any structure is the responsibility of the Building Designer per ANSI/TPI 1 Sec.2.
For more information see these web sites: Alpine: alpineitw.com; TPI: tpinst.org; SBCA: sbccomponents.com; ICC: iccsafe.org; AWC: awc.org



SEQN: 725732	GABL	Ply: 1	Job Number: 25-2668B	Cust: R215 JRef: 1YHK215006 T49
FROM: RFG		Qty: 1	THOMAS RESIDENCE	DrwNo: 043.26.0842.54383
Page 2 of 2			Truss Label: A7E	/ WHK 02/12/2026

Gable Reinforcement

- (b) 2x6 "L" reinforcement. Any species and grade. 80% length of web member. Attach with 10d (0.131"x3",min.) nails @ 2" oc at each end for the first 18" and then 4" oc for the remainder.
- (c) 2x3 "L" reinforcement. Same species and grade as web. 80% length of web member. Attach with 10d (0.131"x3",min.) nails @ 2" oc at each end for the first 18" and then 4" oc for the remainder.
- (d) 2x3 "T" reinforcement. Any species and grade. Full truss height along web member. Attach to the wide face with 10d (0.131"x3",min.) nails @ 4" oc in the web plus (2)10d (0.131"x3",min.) nails in each chord.
- (e) 2x3 "T" reinforcement. Same species and grade as web. Full truss height along web member. Attach to the wide face with 10d (0.131"x3",min.) nails @ 4" oc in the web plus (2)10d (0.131"x3",min.) nails in each chord.

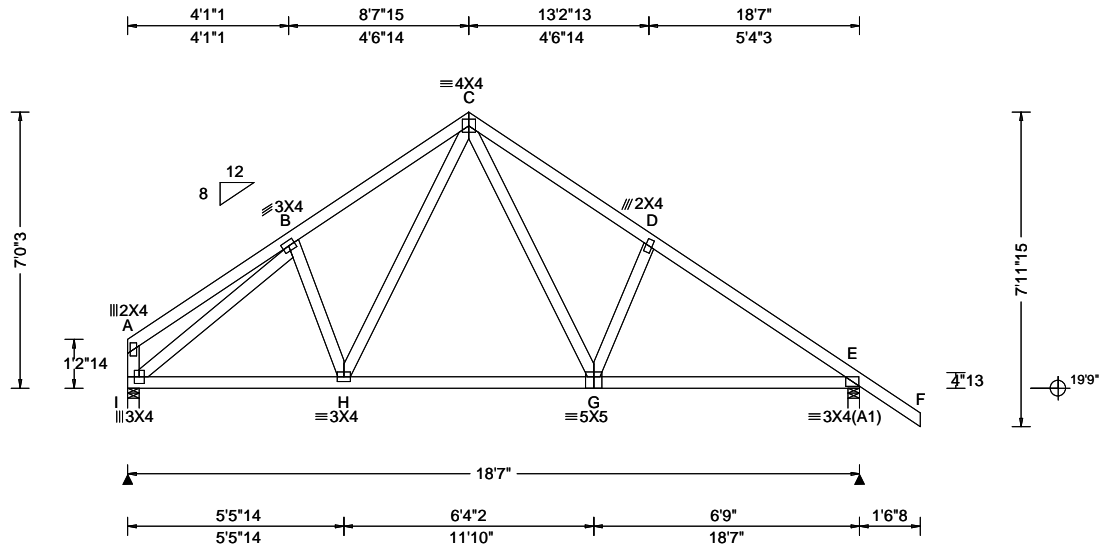


COA #0278

02/12/2026 Florida Certificate of Product Approval #FL 1999

****WARNING** READ AND FOLLOW ALL NOTES ON THIS DRAWING!**
****IMPORTANT** FURNISH THIS DRAWING TO ALL CONTRACTORS INCLUDING THE INSTALLERS**
 Trusses require extreme care in fabricating, handling, shipping, installing and bracing. Refer to and follow the latest edition of BCSI (Building Component Safety Information, by TPI and SBCA) for safety practices prior to performing these functions. Installers shall provide temporary bracing per BCSI. Unless noted otherwise, top chord shall have properly attached structural sheathing and bottom chord shall have a properly attached rigid ceiling. Locations shown for permanent lateral restraint of webs shall have continuous lateral restraint (CLR), installed with diagonal bracing installed on the CLR per BCSI sections B3, B7, or B10, as applicable. Apply plates to each face of truss and position as shown above and on the Joint Details, unless noted otherwise. Refer to drawings 160A-Z for standard plate positions. Refer to job's General Notes page for additional information.
 Alpine, a division of ITW Building Components Group Inc. shall not be responsible for any deviation from this drawing, any failure to build the truss in conformance with ANSI/TPI 1, or for handling, shipping, installation and bracing of trusses. A seal on this drawing or cover page listing this drawing, indicates acceptance of professional engineering responsibility solely for the design shown. The suitability and use of this drawing for any structure is the responsibility of the Building Designer per ANSI/TPI 1 Sec.2.
 For more information see these web sites: Alpine: alpineitw.com; TPI: tpinst.org; SBCA: sbcacomponents.com; ICC: iccsafe.org; AWC: awc.org





Loading Criteria (psf) TCLL: 20.00 TCDL: 10.00 BCLL: 0.00 BCDL: 10.00 Des Ld: 40.00 NCBCLL: 10.00 Soffit: 2.00 Load Duration: 1.25 Spacing: 24.0 "	Wind Criteria Wind Std: ASCE 7-22 Speed: 130 mph Enclosure: Enclosed Risk Category: II EXP: B Kzt: NA Mean Height: 22.94 ft TCDL: 5.0 psf BCDL: 5.0 psf MWFRS Parallel Dist: 0 to h/2 C&C Dist a: 3.00 ft Loc. from endwall: Any GCp: 0.18 Wind Duration: 1.60	Snow Criteria (Pg,Pf in PSF) Pg: NA Ct: NA CAT: NA Pf: NA Ce: NA Lu: NA Cs: NA Snow Duration: NA Building Code: FBC 8th Ed. 2023 Res. TPI Std: 2014 Rep Fac: Yes FT/RT:20(0)/10(0) Plate Type(s): WAVE	Defl/CSI Criteria PP Deflection in loc L/defl L/# VERT(LL): 0.042 G 999 360 VERT(CL): 0.054 G 999 240 HORZ(LL): 0.020 E - - HORZ(TL): 0.024 E - - Creep Factor: 2.0 Max TC CSI: 0.307 Max BC CSI: 0.435 Max Web CSI: 0.550 VIEW Ver: 24.02.00D.0114.10	▲ Maximum Reactions (lbs) Gravity Non-Gravity Loc R+ / R- / Rh / Rw / U / RL I 823 /- /- /427 /87 /146 E 946 /- /- /464 /113 /- Wind reactions based on MWFRS I Brg Wid = 3.5 Min Req = 1.5 (Truss) E Brg Wid = 3.5 Min Req = 1.5 (Truss) Bearings I & E are a rigid surface. Members not listed have forces less than 375# Maximum Top Chord Forces Per Ply (lbs) Chords Tens.Comp. Chords Tens. Comp. B - C 287 -955 D - E 231 -1154 C - D 298 -1027
--------------------------------------------------------------------------------------------------------------------------------------------------------------------------------------	--------------------------------------------------------------------------------------------------------------------------------------------------------------------------------------------------------------------------------------------------------------------------------------------------------------	----------------------------------------------------------------------------------------------------------------------------------------------------------------------------------------------------------------------------------------------------	-------------------------------------------------------------------------------------------------------------------------------------------------------------------------------------------------------------------------------------------------------------------------------------------------	-------------------------------------------------------------------------------------------------------------------------------------------------------------------------------------------------------------------------------------------------------------------------------------------------------------------------------------------------------------------------------------------------------------------------------------------------------------------------------------------------------------

Lumber

Top chord: 2x4 SP #2;
Bot chord: 2x4 SP #2;
Webs: 2x4 SP #3;

Loading

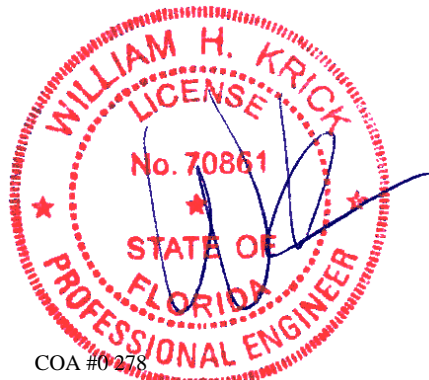
Truss passed check for 20 psf additional bottom chord live load in areas with 42"-high x 24"-wide clearance.

Wind

Wind loads based on MWFRS with additional C&C member design.
Left end vertical not exposed to wind pressure.
Wind loading based on both gable and hip roof types.

Additional Notes

The overall height of this truss excluding overhang is 7'-0.3."

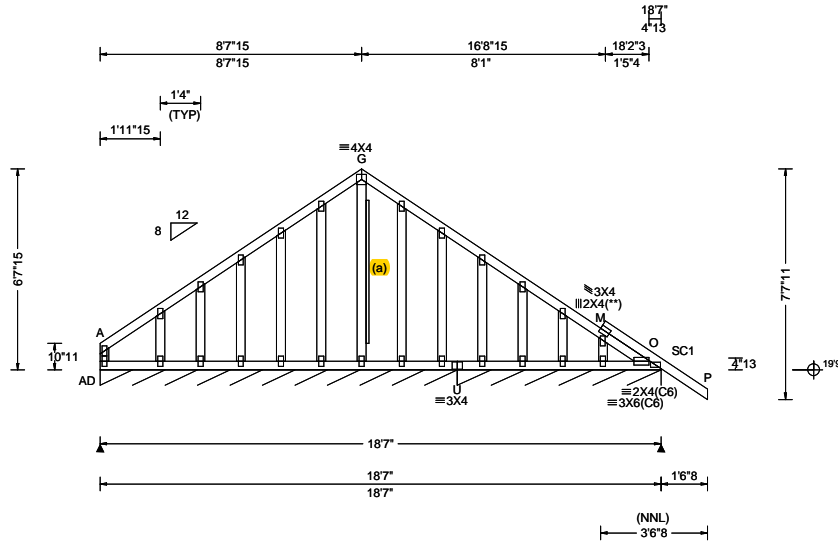


COA #0218

02/12/2026 Florida Certificate of Product Approval #FL 1999

****WARNING** READ AND FOLLOW ALL NOTES ON THIS DRAWING!**
****IMPORTANT** FURNISH THIS DRAWING TO ALL CONTRACTORS INCLUDING THE INSTALLERS**
Trusses require extreme care in fabricating, handling, shipping, installing and bracing. Refer to and follow the latest edition of BCSI (Building Component Safety Information, by TPI and SBCA) for safety practices prior to performing these functions. Installers shall provide temporary bracing per BCSI. Unless noted otherwise, top chord shall have properly attached structural sheathing and bottom chord shall have a properly attached rigid ceiling. Locations shown for permanent lateral restraint of webs shall have continuous lateral restraint (CLR), installed with diagonal bracing installed on the CLR per BCSI sections B3, B7, or B10, as applicable. Apply plates to each face of truss and position as shown above and on the Joint Details, unless noted otherwise. Refer to drawings 160A-Z for standard plate positions. Refer to job's General Notes page for additional information.
Alpine, a division of ITW Building Components Group Inc. shall not be responsible for any deviation from this drawing, any failure to build the truss in conformance with ANSI/TPI 1, or for handling, shipping, installation and bracing of trusses. A seal on this drawing or cover page listing this drawing, indicates acceptance of professional engineering responsibility solely for the design shown. The suitability and use of this drawing for any structure is the responsibility of the Building Designer per ANSI/TPI 1 Sec.2.
For more information see these web sites: Alpine: alpineitw.com; TPI: tpinst.org; SBCA: sbcacomponents.com; ICC: iccsafe.org; AWC: awc.org





Loading Criteria (psf)	Wind Criteria	Snow Criteria (Pg, Pf in PSF)	Defl/CSI Criteria	▲ Maximum Reactions (lbs), or *=PLF
TCCL: 20.00 TCCL: 10.00 BCLL: 0.00 BCDL: 10.00 Des Ld: 40.00 NCBCLL: 10.00 Soffit: 2.00 Load Duration: 1.25 Spacing: 24.0 "	Wind Std: ASCE 7-22 Speed: 130 mph Enclosure: Enclosed Risk Category: II EXP: B Kzt: NA Mean Height: 22.77 ft TCCL: 5.0 psf BCDL: 5.0 psf MWFRS Parallel Dist: 0 to h/2 C&C Dist a: 3.00 ft Loc. from endwall: Any GCpi: 0.18 Wind Duration: 1.60	Pg: NA Ct: NA CAT: NA Pf: NA Ce: NA Lu: NA Cs: NA Snow Duration: NA Building Code: FBC 8th Ed. 2023 Res. TPI Std: 2014 Rep Fac: Varies by Ld Case FT/RT:20(0)/10(0) Plate Type(s): WAVE	PP Deflection in loc L/defl L/# VERT(LL): 0.001 G 999 360 VERT(CL): 0.002 G 999 240 HORZ(LL): 0.001 N - - HORZ(TL): 0.007 A - - Creep Factor: 2.0 Max TC CSI: 0.331 Max BC CSI: 0.127 Max Web CSI: 0.980 VIEW Ver: 24.02.00D.0114.10	Gravity Non-Gravity Loc R+ / R- / Rh / Rw / U / RL AD* 130 - / - / 56 / 10 / 17 U* 136 - / - / 58 / 32 / - Wind reactions based on MWFRS AD Brg Wid = 142 Min Req = - U Brg Wid = 81.0 Min Req = - Bearings AD & U are a rigid surface. Members not listed have forces less than 375#

Lumber
 Top chord: 2x4 SP #2;
 Bot chord: 2x4 SP #2;
 Webs: 2x4 SP #3;
 Stack Chord: SC1 2x4 SP #2;

Plating Notes
 All plates are 2X4 except as noted.
 (**) 1 plate(s) require special positioning. Refer to scaled plate plot details for special positioning requirements.

Loading
 Truss designed to support 1-4-0 top chord outlookers and cladding load not to exceed 5.00 PSF one face and 24.0' span opposite face. Top chord must not be cut or notched, unless specified otherwise.

Wind
 Wind loads based on MWFRS with additional C&C member design.
 Left end vertical not exposed to wind pressure.
 Wind loading based on both gable and hip roof types.
 Gable meets L/120 deflection criteria for wind load applied to face. Calculated deflection ratio is L/249.

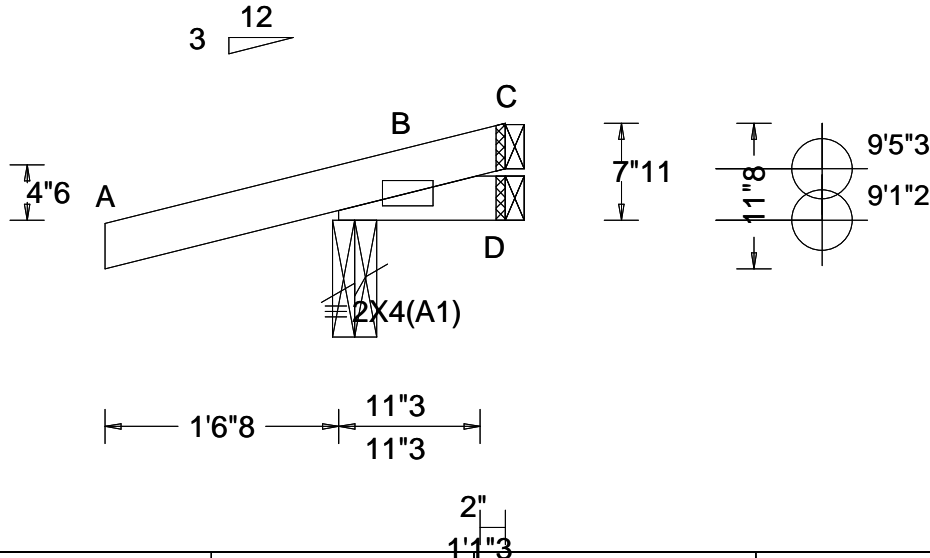
Gable Reinforcement
 (a) 1x4 "L" reinforcement. Same species and grade as web. 80% length of web member. Attach with 10d (0.131"x3", min.) nails @ 2" oc at each end for the first 18" and then 4" oc for the remainder.

Additional Notes
 Exposed portion of gable face shall be reinforced with sheathing and the wind pressures shall be transferred into lateral diaphragms. Connections and designs for diaphragms is the responsibility of the Building Designer in accordance with ANSI/TPI 1.
 Stacked top chord must NOT be notched or cut in area (NNL). Dropped top chord braced at 24" oc intervals. Attach stacked top chord (SC) to dropped top chord in notchable area using 3x4 tie-plates 24" oc. Center plate on stacked/dropped chord interface, plate length perpendicular to chord length. Splice top chord in notchable area using 3x6.
 The overall height of this truss excluding overhang is 6-7-15.

COA #0218
 02/12/2026
 Florida Certificate of Product Approval #FL 1999

****WARNING** READ AND FOLLOW ALL NOTES ON THIS DRAWING!**
****IMPORTANT** FURNISH THIS DRAWING TO ALL CONTRACTORS INCLUDING THE INSTALLERS**
 Trusses require extreme care in fabricating, handling, shipping, installing and bracing. Refer to and follow the latest edition of BCSI (Building Component Safety Information, by TPI and SBCA) for safety practices prior to performing these functions. Installers shall provide temporary bracing per BCSI. Unless noted otherwise, top chord shall have properly attached structural sheathing and bottom chord shall have a properly attached rigid ceiling. Locations shown for permanent lateral restraint of webs shall have continuous lateral restraint (CLR), installed with diagonal bracing installed on the CLR per BCSI sections B3, B7, or B10, as applicable. Apply plates to each face of truss and position as shown above and on the Joint Details, unless noted otherwise. Refer to drawings 160A-Z for standard plate positions. Refer to job's General Notes page for additional information.
 Alpine, a division of ITW Building Components Group Inc. shall not be responsible for any deviation from this drawing, any failure to build the truss in conformance with ANSI/TPI 1, or for handling, shipping, installation and bracing of trusses. A seal on this drawing or cover page listing this drawing, indicates acceptance of professional engineering responsibility solely for the design shown. The suitability and use of this drawing for any structure is the responsibility of the Building Designer per ANSI/TPI 1 Sec.2.
 For more information see these web sites: Alpine: alpineitw.com; TPI: tpinst.org; SBCA: sbcacomponents.com; ICC: iccsafe.org; AWC: awc.org

155 Harlem Ave
 North Building, 4th Floor
 Glenview, IL 60025



Loading Criteria (psf) TCCL: 20.00 TCDL: 10.00 BCLL: 0.00 BCDL: 10.00 Des Ld: 40.00 NCBCLL: 10.00 Soffit: 2.00 Load Duration: 1.25 Spacing: 24.0 "	Wind Criteria Wind Std: ASCE 7-22 Speed: 130 mph Enclosure: Enclosed Risk Category: II EXP: B Kzt: NA Mean Height: 15.00 ft TCCL: 5.0 psf BCDL: 5.0 psf MWFRS Parallel Dist: 0 to h/2 C&C Dist a: 3.00 ft Loc. from endwall: Any GCp: 0.18 Wind Duration: 1.60	Snow Criteria (Pg,Pf in PSF) Pg: NA Ct: NA CAT: NA Pf: NA Ce: NA Lu: NA Cs: NA Snow Duration: NA Building Code: FBC 8th Ed. 2023 Res. TPI Std: 2014 Rep Fac: Yes FT/RT:20(0)/10(0) Plate Type(s): WAVE	Defl/CSI Criteria PP Deflection in loc L/defl L/# VERT(LL): NA VERT(CL): NA HORZ(LL): -0.000 D - - HORZ(TL): 0.000 D - - Creep Factor: 2.0 Max TC CSI: 0.158 Max BC CSI: 0.021 Max Web CSI: 0.000 VIEW Ver: 24.02.00D.0114.10	▲ Maximum Reactions (lbs) <table border="1"> <thead> <tr> <th rowspan="2">Loc</th> <th colspan="3">Gravity</th> <th colspan="3">Non-Gravity</th> </tr> <tr> <th>R+</th> <th>/R-</th> <th>/Rh</th> <th>/Rw</th> <th>/U</th> <th>/RL</th> </tr> </thead> <tbody> <tr> <td>B</td> <td>242</td> <td>/-</td> <td>/-</td> <td>/75</td> <td>/66</td> <td>/18</td> </tr> <tr> <td>D</td> <td>4</td> <td>/-17</td> <td>/-</td> <td>/15</td> <td>/0</td> <td>/-</td> </tr> <tr> <td>C</td> <td>-</td> <td>/-36</td> <td>/-</td> <td>/21</td> <td>/5</td> <td>/-</td> </tr> </tbody> </table> Wind reactions based on MWFRS B Brg Wid = 3.0 Min Req = 1.5 (Truss) D Brg Wid = 1.5 Min Req = - C Brg Wid = 1.5 Min Req = - Bearing B is a rigid surface. Members not listed have forces less than 375#	Loc	Gravity			Non-Gravity			R+	/R-	/Rh	/Rw	/U	/RL	B	242	/-	/-	/75	/66	/18	D	4	/-17	/-	/15	/0	/-	C	-	/-36	/-	/21	/5	/-
				Loc		Gravity			Non-Gravity																													
R+	/R-	/Rh	/Rw		/U	/RL																																
B	242	/-	/-	/75	/66	/18																																
D	4	/-17	/-	/15	/0	/-																																
C	-	/-36	/-	/21	/5	/-																																
Lumber Top chord: 2x4 SP #2; Bot chord: 2x4 SP #2; Wind Wind loads based on MWFRS with additional C&C member design. Wind loading based on both gable and hip roof types. Additional Notes The overall height of this truss excluding overhang is 0-7-11.																																						

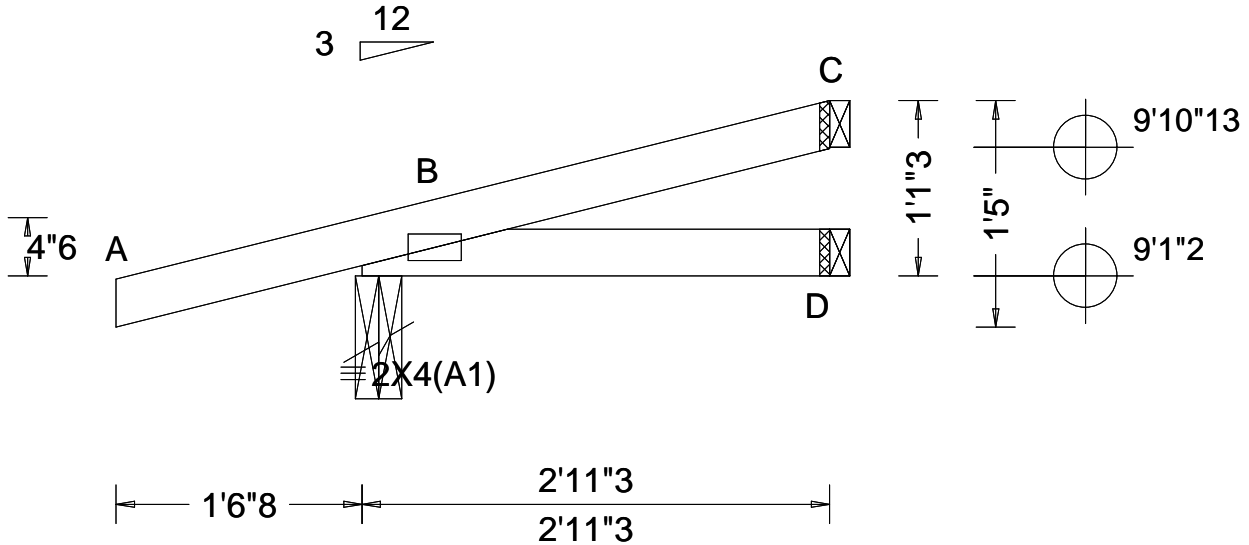


COA #0278

02/12/2026
Florida Certificate of Product Approval #FL 1999

****WARNING** READ AND FOLLOW ALL NOTES ON THIS DRAWING!**
****IMPORTANT** FURNISH THIS DRAWING TO ALL CONTRACTORS INCLUDING THE INSTALLERS**
 Trusses require extreme care in fabricating, handling, shipping, installing and bracing. Refer to and follow the latest edition of BCSI (Building Component Safety Information, by TPI and SBCA) for safety practices prior to performing these functions. Installers shall provide temporary bracing per BCSI. Unless noted otherwise, top chord shall have properly attached structural sheathing and bottom chord shall have a properly attached rigid ceiling. Locations shown for permanent lateral restraint of webs shall have continuous lateral restraint (CLR), installed with diagonal bracing installed on the CLR per BCSI sections B3, B7, or B10, as applicable. Apply plates to each face of truss and position as shown above and on the Joint Details, unless noted otherwise. Refer to drawings 160A-Z for standard plate positions. Refer to job's General Notes page for additional information.
 Alpine, a division of ITW Building Components Group Inc. shall not be responsible for any deviation from this drawing, any failure to build the truss in conformance with ANSI/TPI 1, or for handling, shipping, installation and bracing of trusses. A seal on this drawing or cover page listing this drawing, indicates acceptance of professional engineering responsibility solely for the design shown. The suitability and use of this drawing for any structure is the responsibility of the Building Designer per ANSI/TPI 1 Sec.2.
 For more information see these web sites: Alpine: alpineitw.com; TPI: tpinst.org; SBCA: sbccomponents.com; ICC: iccsafe.org; AWC: awc.org





Loading Criteria (psf) TCCL: 20.00 TCDL: 10.00 BCLL: 0.00 BCDL: 10.00 Des Ld: 40.00 NCBCLL: 10.00 Soffit: 2.00 Load Duration: 1.25 Spacing: 24.0 "	Wind Criteria Wind Std: ASCE 7-22 Speed: 130 mph Enclosure: Enclosed Risk Category: II EXP: B Kzt: NA Mean Height: 15.00 ft TCDL: 5.0 psf BCDL: 5.0 psf MWFRS Parallel Dist: 0 to h/2 C&C Dist a: 3.00 ft Loc. from endwall: not in 4.50 ft GCp: 0.18 Wind Duration: 1.60	Snow Criteria (Pg,Pf in PSF) Pg: NA Ct: NA CAT: NA Pf: NA Ce: NA Lu: NA Cs: NA Snow Duration: NA Building Code: FBC 8th Ed. 2023 Res. TPI Std: 2014 Rep Fac: Yes FT/RT:20(0)/10(0) Plate Type(s): WAVE	Defl/CSI Criteria PP Deflection in loc L/defl L/# VERT(LL): NA VERT(CL): NA HORZ(LL): 0.000 B - - HORZ(TL): 0.001 B - - Creep Factor: 2.0 Max TC CSI: 0.156 Max BC CSI: 0.055 Max Web CSI: 0.000 VIEW Ver: 24.02.00D.0114.10	▲ Maximum Reactions (lbs) <table border="1"> <thead> <tr> <th rowspan="2">Loc</th> <th colspan="3">Gravity</th> <th colspan="3">Non-Gravity</th> </tr> <tr> <th>R+</th> <th>/R-</th> <th>/Rh</th> <th>/Rw</th> <th>/U</th> <th>/RL</th> </tr> </thead> <tbody> <tr> <td>B</td> <td>255</td> <td>-</td> <td>-</td> <td>/97</td> <td>/44</td> <td>/28</td> </tr> <tr> <td>D</td> <td>45</td> <td>-</td> <td>-</td> <td>/29</td> <td>-</td> <td>-</td> </tr> <tr> <td>C</td> <td>57</td> <td>-</td> <td>-</td> <td>/29</td> <td>/12</td> <td>-</td> </tr> </tbody> </table>	Loc	Gravity			Non-Gravity			R+	/R-	/Rh	/Rw	/U	/RL	B	255	-	-	/97	/44	/28	D	45	-	-	/29	-	-	C	57	-	-	/29	/12	-
				Loc		Gravity			Non-Gravity																													
R+	/R-	/Rh	/Rw		/U	/RL																																
B	255	-	-	/97	/44	/28																																
D	45	-	-	/29	-	-																																
C	57	-	-	/29	/12	-																																
Wind reactions based on MWFRS B Brg Wid = 3.0 Min Req = 1.5 (Truss) D Brg Wid = 1.5 Min Req = - C Brg Wid = 1.5 Min Req = - Bearing B is a rigid surface. Members not listed have forces less than 375#																																						

Lumber

Top chord: 2x4 SP #2;
 Bot chord: 2x4 SP #2;

Wind

Wind loads based on MWFRS with additional C&C member design.
 Wind loading based on both gable and hip roof types.

Additional Notes

The overall height of this truss excluding overhang is 1-1-3.

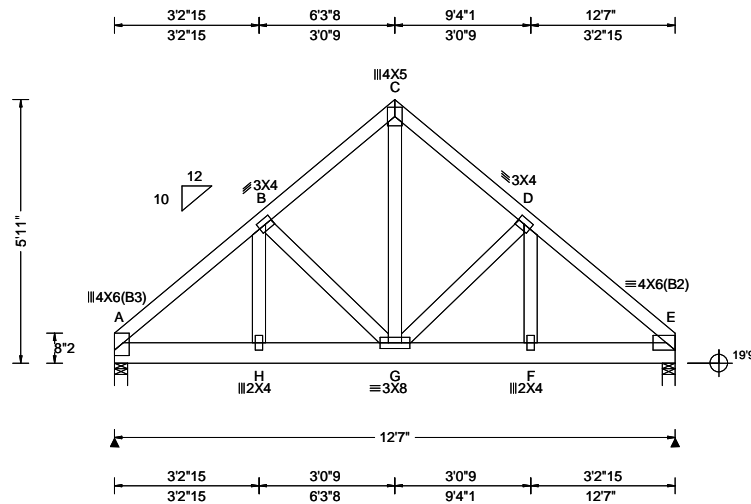


COA #0278

02/12/2026
 Florida Certificate of Product Approval #FL 1999

****WARNING** READ AND FOLLOW ALL NOTES ON THIS DRAWING!**
****IMPORTANT** FURNISH THIS DRAWING TO ALL CONTRACTORS INCLUDING THE INSTALLERS**
 Trusses require extreme care in fabricating, handling, shipping, installing and bracing. Refer to and follow the latest edition of BCSI (Building Component Safety Information, by TPI and SBCA) for safety practices prior to performing these functions. Installers shall provide temporary bracing per BCSI. Unless noted otherwise, top chord shall have properly attached structural sheathing and bottom chord shall have a properly attached rigid ceiling. Locations shown for permanent lateral restraint of webs shall have continuous lateral restraint (CLR), installed with diagonal bracing installed on the CLR per BCSI sections B3, B7, or B10, as applicable. Apply plates to each face of truss and position as shown above and on the Joint Details, unless noted otherwise. Refer to drawings 160A-Z for standard plate positions. Refer to job's General Notes page for additional information.
 Alpine, a division of ITW Building Components Group Inc. shall not be responsible for any deviation from this drawing, any failure to build the truss in conformance with ANSI/TPI 1, or for handling, shipping, installation and bracing of trusses. A seal on this drawing or cover page listing this drawing, indicates acceptance of professional engineering responsibility solely for the design shown. The suitability and use of this drawing for any structure is the responsibility of the Building Designer per ANSI/TPI 1 Sec.2.
 For more information see these web sites: Alpine: alpineitw.com; TPI: tpinst.org; SBCA: sbccomponents.com; ICC: iccsafe.org; AWC: awc.org

2 Complete Trusses Required



Loading Criteria (psf) TCCL: 20.00 TCDL: 10.00 BCLL: 0.00 BCDL: 10.00 Des Ld: 40.00 NCBCLL: 0.00 Soffit: 2.00 Load Duration: 1.25 Spacing: 24.0 "	Wind Criteria Wind Std: ASCE 7-22 Speed: 130 mph Enclosure: Enclosed Risk Category: II EXP: B Kzt: NA Mean Height: 23.05 ft TCDL: 5.0 psf BCDL: 5.0 psf MWFRS Parallel Dist: 0 to h/2 C&C Dist a: 3.00 ft Loc. from endwall: not in 9.00 ft GCp: 0.18 Wind Duration: 1.60	Snow Criteria (Pg,Pf in PSF) Pg: NA Ct: NA CAT: NA Pf: NA Ce: NA Lu: NA Cs: NA Snow Duration: NA Building Code: FBC 8th Ed. 2023 Res. TPI Std: 2014 Rep Fac: Varies by Ld Case FT/RT:20(0)/10(0) Plate Type(s): WAVE	Defl/CSI Criteria PP Deflection in loc L/defl L/# VERT(LL): 0.042 G 999 360 VERT(CL): 0.084 G 999 240 HORZ(LL): 0.020 E - - HORZ(TL): 0.039 E - - Creep Factor: 2.0 Max TC CSI: 0.938 Max BC CSI: 0.627 Max Web CSI: 0.384 VIEW Ver: 24.02.00D.0114.10	▲ Maximum Reactions (lbs) Gravity Non-Gravity Loc R+ / R- / Rh / Rw / U / RL A 4168 -/- /- /546 -/ E 3949 -/- /- /423 -/ Wind reactions based on MWFRS A Brg Wid = 3.5 Min Req = 2.5 (Truss) E Brg Wid = 3.5 Min Req = 2.3 (Truss) Bearings A & E are a rigid surface. Members not listed have forces less than 375# Maximum Top Chord Forces Per Ply (lbs) Chords Tens.Comp. Chords Tens. Comp.
				A - B 350 -2665 C - D 283 -2197 B - C 293 -2265 D - E 285 -2535

Lumber

Top chord: 2x4 SP #2;
 Bot chord: 2x6 SP #2;
 Webs: 2x4 SP #3;

Nailnote

Nail Schedule: 0.128"x3", min. nails
 Top Chord: 1 Row @ 12.00" o.c.
 Bot Chord: 2 Rows @ 5.50" o.c. (Each Row)
 Webs : 1 Row @ 4" o.c.
 Use equal spacing between rows and stagger nails in each row to avoid splitting.

Special Loads

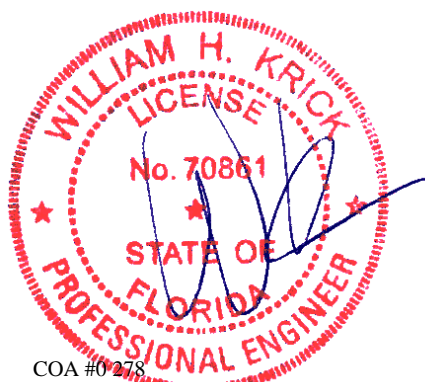
----- (Lumber Dur.Fac.=1.25 / Plate Dur.Fac.=1.25)
 TC: From 66 plf at 0.00 to 66 plf at 12.58
 BC: From 10 plf at 0.00 to 10 plf at 10.45
 BC: From 20 plf at 10.45 to 20 plf at 12.58
 BC: 1354 lb Conc. Load at 2.06, 4.06, 6.06, 7.40
 BC: 548 lb Conc. Load at 8.48
 BC: 1177 lb Conc. Load at 10.45

Wind

Wind loads and reactions based on MWFRS.
 Wind loading based on both gable and hip roof types.

Additional Notes

The overall height of this truss excluding overhang is 5-11-0.



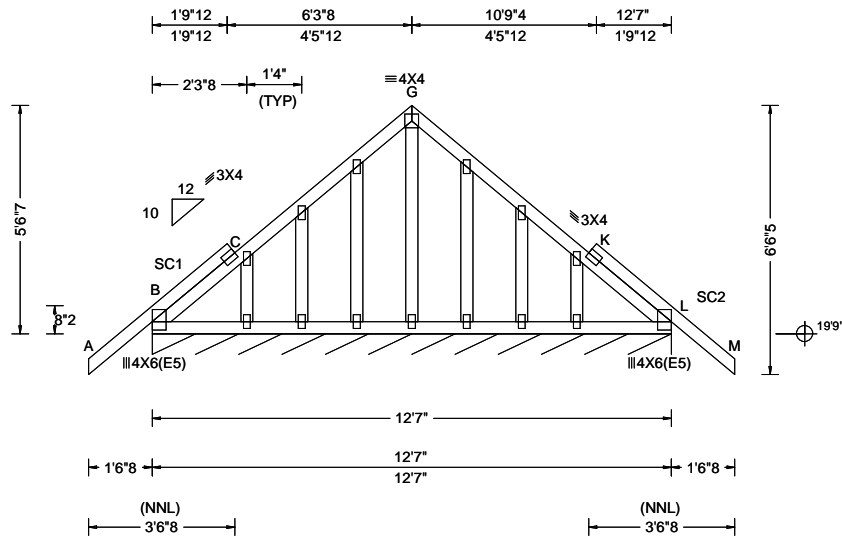
COA #0278

02/12/2026 Florida Certificate of Product Approval #FL 1999

****WARNING** READ AND FOLLOW ALL NOTES ON THIS DRAWING!**
****IMPORTANT** FURNISH THIS DRAWING TO ALL CONTRACTORS INCLUDING THE INSTALLERS**
 Trusses require extreme care in fabricating, handling, shipping, installing and bracing. Refer to and follow the latest edition of BCSI (Building Component Safety Information, by TPI and SBCA) for safety practices prior to performing these functions. Installers shall provide temporary bracing per BCSI. Unless noted otherwise, top chord shall have properly attached structural sheathing and bottom chord shall have a properly attached rigid ceiling. Locations shown for permanent lateral restraint of webs shall have continuous lateral restraint (CLR), installed with diagonal bracing installed on the CLR per BCSI sections B3, B7, or B10, as applicable. Apply plates to each face of truss and position as shown above and on the Joint Details, unless noted otherwise. Refer to drawings 160A-Z for standard plate positions. Refer to job's General Notes page for additional information.
 Alpine, a division of ITW Building Components Group Inc. shall not be responsible for any deviation from this drawing, any failure to build the truss in conformance with ANSI/TPI 1, or for handling, shipping, installation and bracing of trusses. A seal on this drawing or cover page listing this drawing, indicates acceptance of professional engineering responsibility solely for the design shown. The suitability and use of this drawing for any structure is the responsibility of the Building Designer per ANSI/TPI 1 Sec.2.
 For more information see these web sites: Alpine: alpineitw.com; TPI: tpinst.org; SBCA: sbcacomponents.com; ICC: iccsafe.org; AWC: awc.org



SEQN: 725755 FROM: RFG	GABL Ply: 1 Qty: 2	Job Number: 25-2668B THOMAS RESIDENCE Truss Label: D1E	Cust: R215 JRef: 1YHK2150006 T29 DrwNo: 043.26.0843.08770 / WHK 02/12/2026
---------------------------	--------------------------	--------------------------------------------------------------	----------------------------------------------------------------------------------



Loading Criteria (psf) TCLL: 20.00 TCDL: 10.00 BCLL: 0.00 BCDL: 10.00 Des Ld: 40.00 NCBCLL: 10.00 Soffit: 2.00 Load Duration: 1.25 Spacing: 24.0 "	Wind Criteria Wind Std: ASCE 7-22 Speed: 130 mph Enclosure: Enclosed Risk Category: II EXP: B Kzt: NA Mean Height: 22.21 ft TCDL: 5.0 psf BCDL: 5.0 psf MWFRS Parallel Dist: 0 to h/2 C&C Dist a: 3.00 ft Loc. from endwall: not in 6.06 ft GCp: 0.18 Wind Duration: 1.60	Snow Criteria (Pg,Pf in PSF) Pg: NA Ct: NA CAT: NA Pf: NA Ce: NA Lu: NA Cs: NA Snow Duration: NA Building Code: FBC 8th Ed. 2023 Res. TPI Std: 2014 Rep Fac: Varies by Ld Case FT/RT:20(0)/10(0) Plate Type(s): WAVE	Defl/CSI Criteria PP Deflection in loc L/defl L/# VERT(LL): 0.001 H 999 360 VERT(CL): 0.002 G 999 240 HORZ(LL): -0.000 D - - HORZ(TL): 0.006 C - - Creep Factor: 2.0 Max TC CSI: 0.341 Max BC CSI: 0.058 Max Web CSI: 0.636 VIEW Ver: 24.02.00D.0114.10	▲ Maximum Reactions (lbs), or *=PLF Gravity Non-Gravity Loc R+ / R- / Rh / Rw / U / RL B* 151 /- /- /88 /44 /23 Wind reactions based on MWFRS B Brg Wid = 151 Min Req = - Bearing B is a rigid surface. Members not listed have forces less than 375# Maximum Bot Chord Forces Per Ply (lbs) Chords Tens.Comp. B - L 386 -97
--------------------------------------------------------------------------------------------------------------------------------------------------------------------------------------	-------------------------------------------------------------------------------------------------------------------------------------------------------------------------------------------------------------------------------------------------------------------------------------------------------------------------	------------------------------------------------------------------------------------------------------------------------------------------------------------------------------------------------------------------------------------------------------------------	--------------------------------------------------------------------------------------------------------------------------------------------------------------------------------------------------------------------------------------------------------------------------------------------------	--------------------------------------------------------------------------------------------------------------------------------------------------------------------------------------------------------------------------------------------------------------------------------------------------------------------------------------------------------------------------

Lumber
Top chord: 2x4 SP #2;
Bot chord: 2x4 SP #2;
Webs: 2x4 SP #3;
Stack Chord: SC1 2x4 SP #2;
Stack Chord: SC2 2x4 SP #2;

Plating Notes
All plates are 2X4 except as noted.

Loading
Truss designed to support 1-4-0 top chord outlookers and cladding load not to exceed 5.00 PSF one face and 24.0" span opposite face. Top chord must not be cut or notched, unless specified otherwise.

Purlins
In lieu of structural panels use purlins to brace TC @ 24" oc.

Wind
Wind loads based on MWFRS with additional C&C member design.
End verticals not exposed to wind pressure.
Wind loading based on both gable and hip roof types.
Gable meets L/120 deflection criteria for wind load applied to face. Calculated deflection ratio is L/359.

Additional Notes
Exposed portion of gable face shall be reinforced with sheathing and the wind pressures shall be transferred into lateral diaphragms. Connections and designs for diaphragms is the responsibility of the Building Designer in accordance with ANSI/TPI 1.

Stacked top chord must NOT be notched or cut in area (NNL). Dropped top chord braced at 24" oc intervals. Attach stacked top chord (SC) to dropped top chord in notchable area using 3x4 tie-plates 24" oc. Center plate on stacked/dropped chord interface, plate length perpendicular to chord length. Splice top chord in notchable area using 3x6.

The overall height of this truss excluding overhang is 5-6-7.

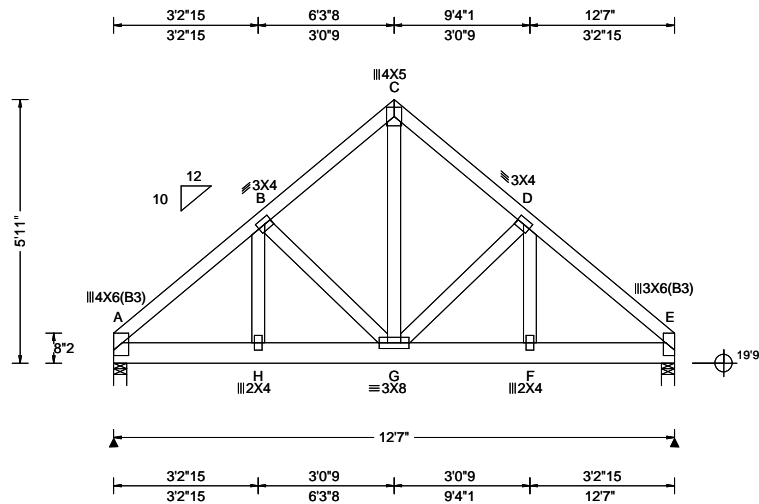


COA #0278
02/12/2026
Florida Certificate of Product Approval #FL 1999

****WARNING** READ AND FOLLOW ALL NOTES ON THIS DRAWING!**
****IMPORTANT** FURNISH THIS DRAWING TO ALL CONTRACTORS INCLUDING THE INSTALLERS**
Trusses require extreme care in fabricating, handling, shipping, installing and bracing. Refer to and follow the latest edition of BCSI (Building Component Safety Information, by TPI and SBCA) for safety practices prior to performing these functions. Installers shall provide temporary bracing per BCSI. Unless noted otherwise, top chord shall have properly attached structural sheathing and bottom chord shall have a properly attached rigid ceiling. Locations shown for permanent lateral restraint of webs shall have continuous lateral restraint (CLR), installed with diagonal bracing installed on the CLR per BCSI sections B3, B7, or B10, as applicable. Apply plates to each face of truss and position as shown above and on the Joint Details, unless noted otherwise. Refer to drawings 160A-Z for standard plate positions. Refer to job's General Notes page for additional information.
Alpine, a division of ITW Building Components Group Inc. shall not be responsible for any deviation from this drawing, any failure to build the truss in conformance with ANSI/TPI 1, or for handling, shipping, installation and bracing of trusses. A seal on this drawing or cover page listing this drawing, indicates acceptance of professional engineering responsibility solely for the design shown. The suitability and use of this drawing for any structure is the responsibility of the Building Designer per ANSI/TPI 1 Sec.2.
For more information see these web sites: Alpine: alpineitw.com; TPI: tpinst.org; SBCA: sbccomponents.com; ICC: iccsafe.org; AWC: awc.org



2 Complete Trusses Required



Loading Criteria (psf) TCLL: 20.00 TCDL: 10.00 BCLL: 0.00 BCDL: 10.00 Des Ld: 40.00 NCBCLL: 0.00 Soffit: 2.00 Load Duration: 1.25 Spacing: 24.0 "	Wind Criteria Wind Std: ASCE 7-22 Speed: 130 mph Enclosure: Enclosed Risk Category: II EXP: B Kzt: NA Mean Height: 23.05 ft TCDL: 5.0 psf BCDL: 5.0 psf MWFRS Parallel Dist: 0 to h/2 C&C Dist a: 3.00 ft Loc. from endwall: not in 9.00 ft GCp: 0.18 Wind Duration: 1.60	Snow Criteria (Pg,Pf in PSF) Pg: NA Ct: NA CAT: NA Pf: NA Ce: NA Lu: NA Cs: NA Snow Duration: NA Building Code: FBC 8th Ed. 2023 Res. TPI Std: 2014 Rep Fac: Varies by Ld Case FT/RT:20(0)/10(0) Plate Type(s): WAVE	Defl/CSI Criteria PP Deflection in loc L/defl L/# VERT(LL): 0.034 G 999 360 VERT(CL): 0.067 G 999 240 HORZ(LL): 0.017 E - - HORZ(TL): 0.033 E - - Creep Factor: 2.0 Max TC CSI: 0.787 Max BC CSI: 0.525 Max Web CSI: 0.327 VIEW Ver: 24.02.00D.0114.10	▲ Maximum Reactions (lbs) Gravity Non-Gravity Loc R+ / R- / Rh / Rw / U / RL A 4544 /- /- /75 /- /- E 2817 /- /- /- /4 /- Wind reactions based on MWFRS A Brg Wid = 3.5 Min Req = 2.7 (Truss) E Brg Wid = 3.5 Min Req = 1.7 (Truss) Bearings A & E are a rigid surface. Members not listed have forces less than 375# Maximum Top Chord Forces Per Ply (lbs) Chords Tens.Comp. Chords Tens. Comp. A - B 0 -2693 C - D 0 -1733 B - C 0 -1779 D - E 0 -1829
-------------------------------------------------------------------------------------------------------------------------------------------------------------------------------------	-------------------------------------------------------------------------------------------------------------------------------------------------------------------------------------------------------------------------------------------------------------------------------------------------------------------------	------------------------------------------------------------------------------------------------------------------------------------------------------------------------------------------------------------------------------------------------------------------	-------------------------------------------------------------------------------------------------------------------------------------------------------------------------------------------------------------------------------------------------------------------------------------------------	----------------------------------------------------------------------------------------------------------------------------------------------------------------------------------------------------------------------------------------------------------------------------------------------------------------------------------------------------------------------------------------------------------------------------------------------------------------------------------------------------------------

Lumber

Top chord: 2x4 SP #2;
Bot chord: 2x6 SP #2;
Webs: 2x4 SP #3;

Nailnote

Nail Schedule: 0.128"x3", min. nails
Top Chord: 1 Row @12.00" o.c.
Bot Chord: 2 Rows @ 5.50" o.c. (Each Row)
Webs : 1 Row @ 4" o.c.
Use equal spacing between rows and stagger nails in each row to avoid splitting.

Special Loads

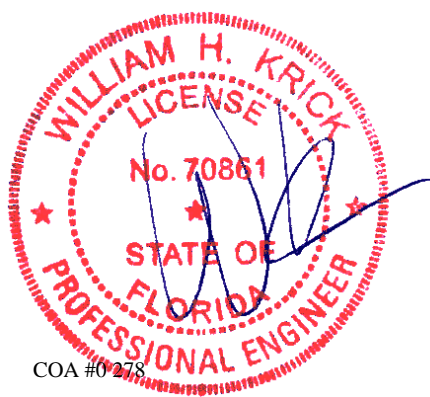
----- (Lumber Dur.Fac.=1.25 / Plate Dur.Fac.=1.25)
TC: From 33 plf at 0.00 to 33 plf at 6.89
TC: From 66 plf at 6.89 to 66 plf at 12.58
BC: From 10 plf at 0.00 to 10 plf at 12.58
BC: 1458 lb Conc. Load at 0.89, 2.89, 4.89, 6.89
BC: 399 lb Conc. Load at 8.69, 10.52

Wind

Wind loads and reactions based on MWFRS.
Wind loading based on both gable and hip roof types.

Additional Notes

The overall height of this truss excluding overhang is 5-11-0.

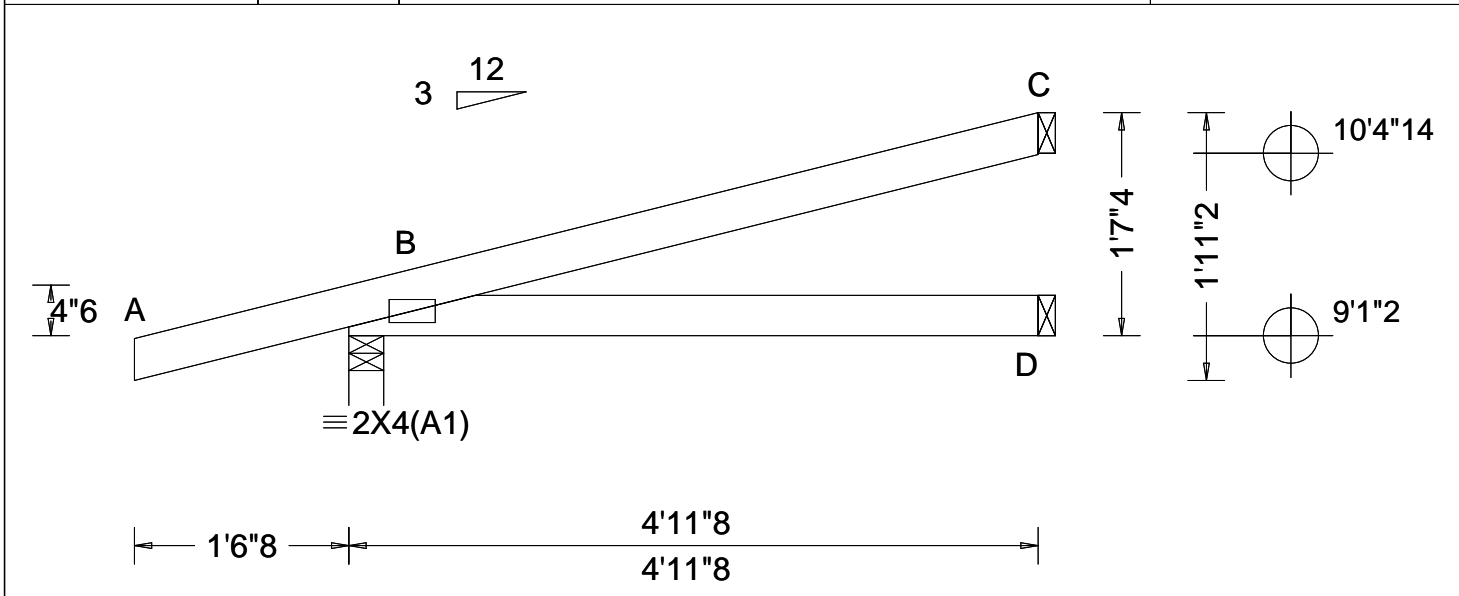


COA #0278

02/12/2026
Florida Certificate of Product Approval #FL 1999

****WARNING** READ AND FOLLOW ALL NOTES ON THIS DRAWING!**
****IMPORTANT** FURNISH THIS DRAWING TO ALL CONTRACTORS INCLUDING THE INSTALLERS**
Trusses require extreme care in fabricating, handling, shipping, installing and bracing. Refer to and follow the latest edition of BCSI (Building Component Safety Information, by TPI and SBCA) for safety practices prior to performing these functions. Installers shall provide temporary bracing per BCSI. Unless noted otherwise, top chord shall have properly attached structural sheathing and bottom chord shall have a properly attached rigid ceiling. Locations shown for permanent lateral restraint of webs shall have continuous lateral restraint (CLR), installed with diagonal bracing installed on the CLR per BCSI sections B3, B7, or B10, as applicable. Apply plates to each face of truss and position as shown above and on the Joint Details, unless noted otherwise. Refer to drawings 160A-Z for standard plate positions. Refer to job's General Notes page for additional information.
Alpine, a division of ITW Building Components Group Inc. shall not be responsible for any deviation from this drawing, any failure to build the truss in conformance with ANSI/TPI 1, or for handling, shipping, installation and bracing of trusses. A seal on this drawing or cover page listing this drawing, indicates acceptance of professional engineering responsibility solely for the design shown. The suitability and use of this drawing for any structure is the responsibility of the Building Designer per ANSI/TPI 1 Sec.2.
For more information see these web sites: Alpine: alpineitw.com; TPI: tpinst.org; SBCA: sbcacomponents.com; ICC: iccsafe.org; AWC: awc.org





Loading Criteria (psf) TCCL: 20.00 TCCL: 10.00 BCLL: 0.00 BCDL: 10.00 Des Ld: 40.00 NCBCLL: 10.00 Soffit: 2.00 Load Duration: 1.25 Spacing: 24.0 "	Wind Criteria Wind Std: ASCE 7-22 Speed: 130 mph Enclosure: Enclosed Risk Category: II EXP: B Kzt: NA Mean Height: 15.00 ft TCCL: 5.0 psf BCDL: 5.0 psf MWFRS Parallel Dist: 0 to h/2 C&C Dist a: 3.00 ft Loc. from endwall: not in 4.50 ft GCp: 0.18 Wind Duration: 1.60	Snow Criteria (Pg,Pf in PSF) Pg: NA Ct: NA CAT: NA Pf: NA Ce: NA Lu: NA Cs: NA Snow Duration: NA Building Code: FBC 8th Ed. 2023 Res. TPI Std: 2014 Rep Fac: Yes FT/RT:20(0)/10(0) Plate Type(s): WAVE	Defl/CSI Criteria PP Deflection in loc L/defl L/# VERT(LL): NA VERT(CL): NA HORZ(LL): 0.004 B - - HORZ(TL): 0.008 B - - Creep Factor: 2.0 Max TC CSI: 0.280 Max BC CSI: 0.214 Max Web CSI: 0.000 VIEW Ver: 24.02.00D.0114.10	▲ Maximum Reactions (lbs) <table border="1"> <thead> <tr> <th rowspan="2">Loc</th> <th colspan="3">Gravity</th> <th colspan="3">Non-Gravity</th> </tr> <tr> <th>R+</th> <th>/R-</th> <th>/Rh</th> <th>/Rw</th> <th>/U</th> <th>/RL</th> </tr> </thead> <tbody> <tr> <td>B</td> <td>323</td> <td>/-</td> <td>/-</td> <td>/135</td> <td>/38</td> <td>/38</td> </tr> <tr> <td>D</td> <td>86</td> <td>/-</td> <td>/-</td> <td>/49</td> <td>/-</td> <td>/-</td> </tr> <tr> <td>C</td> <td>121</td> <td>/-</td> <td>/-</td> <td>/51</td> <td>/26</td> <td>/-</td> </tr> </tbody> </table>	Loc	Gravity			Non-Gravity			R+	/R-	/Rh	/Rw	/U	/RL	B	323	/-	/-	/135	/38	/38	D	86	/-	/-	/49	/-	/-	C	121	/-	/-	/51	/26	/-
				Loc		Gravity			Non-Gravity																													
R+	/R-	/Rh	/Rw		/U	/RL																																
B	323	/-	/-	/135	/38	/38																																
D	86	/-	/-	/49	/-	/-																																
C	121	/-	/-	/51	/26	/-																																
Wind reactions based on MWFRS B Brg Wid = 3.0 Min Req = 1.5 (Truss) D Brg Wid = 1.5 Min Req = - C Brg Wid = 1.5 Min Req = - Bearing B is a rigid surface. Members not listed have forces less than 375#																																						

Lumber

Top chord: 2x4 SP #2;
 Bot chord: 2x4 SP #2;

Wind

Wind loads based on MWFRS with additional C&C member design.
 Wind loading based on both gable and hip roof types.

Additional Notes

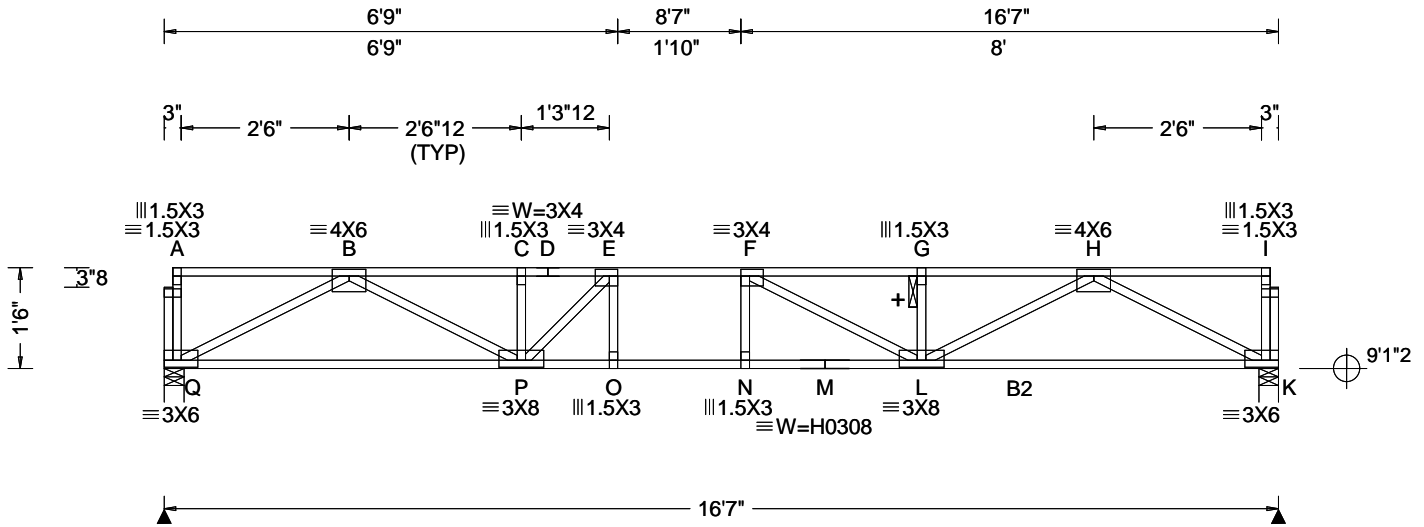
The overall height of this truss excluding overhang is 1-7-4.



COA #0278
 02/12/2026
 Florida Certificate of Product Approval #FL 1999

****WARNING** READ AND FOLLOW ALL NOTES ON THIS DRAWING!**
****IMPORTANT** FURNISH THIS DRAWING TO ALL CONTRACTORS INCLUDING THE INSTALLERS**
 Trusses require extreme care in fabricating, handling, shipping, installing and bracing. Refer to and follow the latest edition of BCSI (Building Component Safety Information, by TPI and SBCA) for safety practices prior to performing these functions. Installers shall provide temporary bracing per BCSI. Unless noted otherwise, top chord shall have properly attached structural sheathing and bottom chord shall have a properly attached rigid ceiling. Locations shown for permanent lateral restraint of webs shall have continuous lateral restraint (CLR), installed with diagonal bracing installed on the CLR per BCSI sections B3, B7, or B10, as applicable. Apply plates to each face of truss and position as shown above and on the Joint Details, unless noted otherwise. Refer to drawings 160A-Z for standard plate positions. Refer to job's General Notes page for additional information.
 Alpine, a division of ITW Building Components Group Inc. shall not be responsible for any deviation from this drawing, any failure to build the truss in conformance with ANSI/TPI 1, or for handling, shipping, installation and bracing of trusses. A seal on this drawing or cover page listing this drawing, indicates acceptance of professional engineering responsibility solely for the design shown. The suitability and use of this drawing for any structure is the responsibility of the Building Designer per ANSI/TPI 1 Sec.2.
 For more information see these web sites: Alpine: alpineitw.com; TPI: tpinst.org; SBCA: sbccomponents.com; ICC: iccsafe.org; AWC: awc.org





Loading Criteria (psf) TCLL: 40.00 TCDL: 10.00 BCLL: 0.00 BCDL: 5.00 Des Ld: 55.00 NCBCLL: 10.00 Soffit: 2.00 Load Duration: 1.00 Spacing: 24.0 "	Wind Criteria Wind Std: NA Speed: NA mph Enclosure: NA Category: NA EXP: NA Kzt: NA Mean Height: NA ft TCDL: NA psf BCDL: NA psf MWFRS Parallel Dist: NA C&C Dist a: NA Loc. from endwall: NA I: NA GCpi: NA Wind Duration: NA	Snow Criteria (Pg,Pf in PSF) Pg: NA Ct: NA CAT: NA Pf: NA Ce: NA Lu: NA Cs: NA Snow Duration: NA Building Code: FBC 8th Ed. 2023 Res. TPI Std: 2014 Rep Fac: No FT/RT:12(0)/10(0) Plate Type(s): WAVE, HS	Defl/CSI Criteria PP Deflection in loc L/defl L/# VERT(LL): 0.237 F 819 480 VERT(CL): 0.311 F 624 360 HORZ(LL): 0.030 K - - HORZ(TL): 0.041 K - - Creep Factor: 2.0 Max TC CSI: 0.791 Max BC CSI: 0.807 Max Web CSI: 0.485 VIEW Ver: 24.02.00D.0114.10	▲ Maximum Reactions (lbs) Gravity Non-Gravity Loc R+ /R- /Rh /Rw /U /RL Q 900 /- /- /- /- /- K 900 /- /- /- /- /- Q Brg Wid = 3.5 Min Req = 1.5 (Truss) K Brg Wid = 3.5 Min Req = 1.5 (Truss) Bearings Q & K are a rigid surface. Members not listed have forces less than 375# Maximum Top Chord Forces Per Ply (lbs) Chords Tens.Comp. Chords Tens. Comp. B - C 0 -2289 E - F 0 -2591 C - D 0 -2289 F - G 0 -2323 D - E 0 -2289 G - H 0 -2323
-------------------------------------------------------------------------------------------------------------------------------------------------------------------------------------	------------------------------------------------------------------------------------------------------------------------------------------------------------------------------------------------------------------------------------------------------------------------------	-------------------------------------------------------------------------------------------------------------------------------------------------------------------------------------------------------------------------------------------------------	-------------------------------------------------------------------------------------------------------------------------------------------------------------------------------------------------------------------------------------------------------------------------------------------------	------------------------------------------------------------------------------------------------------------------------------------------------------------------------------------------------------------------------------------------------------------------------------------------------------------------------------------------------------------------------------------------------------------------------------------------------------------------------------------------------------

Lumber

Top chord: 4x2 SP #2;
Bot chord: 4x2 SP M-31; B2 4x2 SP #2;
Webs: 4x2 SP #3;

Additional Notes

+ 2x6 continuous strongback. See detail STRBRIBR1014 for bracing and bridging recommendations.
Truss must be installed as shown with top chord up.
The overall height of this truss excluding overhang is 1-6-0.

Maximum Bot Chord Forces Per Ply (lbs)

Chords	Tens.Comp.	Chords	Tens. Comp.
Q - P	1428 0	N - M	2593 0
P - O	2587 0	M - L	2593 0
O - N	2591 0	L - K	1426 0

Maximum Web Forces Per Ply (lbs)

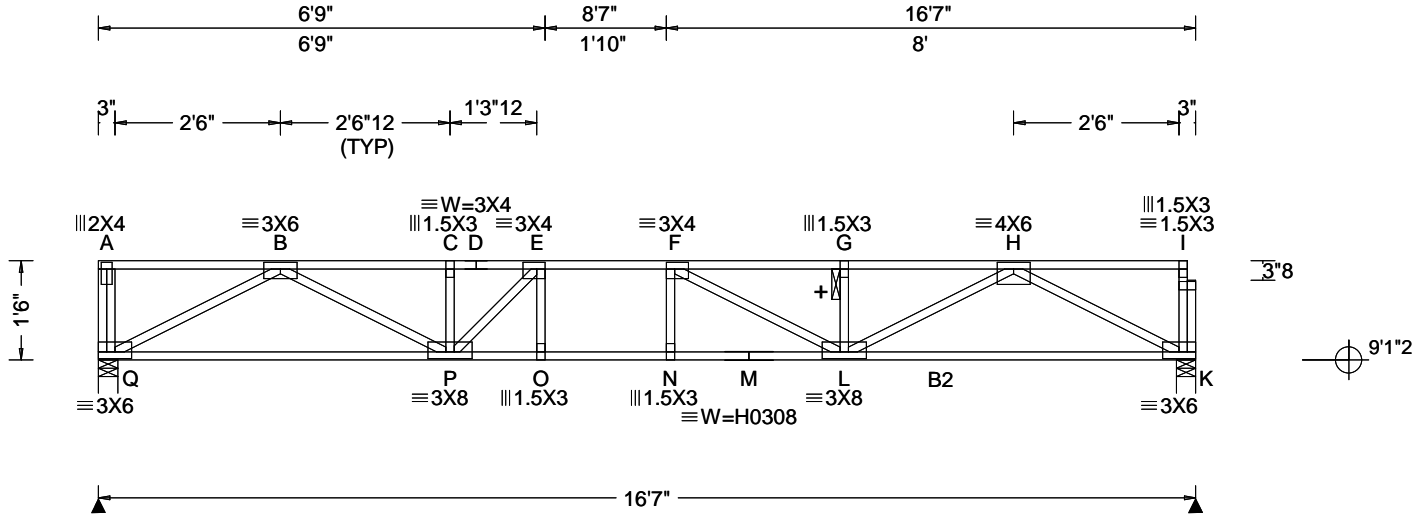
Webs	Tens.Comp.	Webs	Tens. Comp.
Q - B	0 -1621	F - L	8 -538
B - P	977 0	L - H	1018 0
P - E	0 -647	H - K	0 -1619



COA #0278
02/12/2026
Florida Certificate of Product Approval #FL 1999

****WARNING** READ AND FOLLOW ALL NOTES ON THIS DRAWING!**
****IMPORTANT** FURNISH THIS DRAWING TO ALL CONTRACTORS INCLUDING THE INSTALLERS**
Trusses require extreme care in fabricating, handling, shipping, installing and bracing. Refer to and follow the latest edition of BCSI (Building Component Safety Information, by TPI and SBCA) for safety practices prior to performing these functions. Installers shall provide temporary bracing per BCSI. Unless noted otherwise, top chord shall have properly attached structural sheathing and bottom chord shall have a properly attached rigid ceiling. Locations shown for permanent lateral restraint of webs shall have continuous lateral restraint (CLR), installed with diagonal bracing installed on the CLR per BCSI sections B3, B7, or B10, as applicable. Apply plates to each face of truss and position as shown above and on the Joint Details, unless noted otherwise. Refer to drawings 160A-Z for standard plate positions. Refer to job's General Notes page for additional information.
Alpine, a division of ITW Building Components Group Inc. shall not be responsible for any deviation from this drawing, any failure to build the truss in conformance with ANSI/TPI 1, or for handling, shipping, installation and bracing of trusses. A seal on this drawing or cover page listing this drawing, indicates acceptance of professional engineering responsibility solely for the design shown. The suitability and use of this drawing for any structure is the responsibility of the Building Designer per ANSI/TPI 1 Sec.2.
For more information see these web sites: Alpine: alpineitw.com; TPI: tpinst.org; SBCA: sbccomponents.com; ICC: iccsafe.org; AWC: awc.org





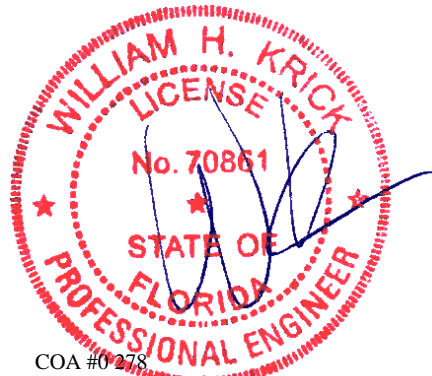
Loading Criteria (psf) TCCL: 40.00 TCDL: 10.00 BCLL: 0.00 BCDL: 5.00 Des Ld: 55.00 NCBCLL: 10.00 Soffit: 2.00 Load Duration: 1.00 Spacing: 24.0 "	Wind Criteria Wind Std: NA Speed: NA mph Enclosure: NA Category: NA EXP: NA Kzt: NA Mean Height: NA ft TCCL: NA psf BCDL: NA psf MWFRS Parallel Dist: NA C&C Dist a: NA Loc. from endwall: NA I: NA GCpi: NA Wind Duration: NA	Snow Criteria (Pg,Pf in PSF) Pg: NA Ct: NA CAT: NA Pf: NA Ce: NA Lu: NA Cs: NA Snow Duration: NA Building Code: FBC 8th Ed. 2023 Res. TPI Std: 2014 Rep Fac: Yes FT/RT:12(0)/10(0) Plate Type(s): WAVE, HS	Defl/CSI Criteria PP Deflection in loc L/defl L/# VERT(LL): 0.236 F 821 480 VERT(CL): 0.310 F 624 360 HORZ(LL): 0.029 K - - HORZ(TL): 0.040 K - - Creep Factor: 2.0 Max TC CSI: 0.798 Max BC CSI: 0.806 Max Web CSI: 0.481 VIEW Ver: 24.02.00D.0114.10	▲ Maximum Reactions (lbs) Gravity Non-Gravity Loc R+ /R- /Rh /Rw /U /RL Q 916 /- /- /- /- /- K 896 /- /- /- /- /- Q Brg Wid = 3.5 Min Req = 1.5 (Truss) K Brg Wid = 3.5 Min Req = 1.5 (Truss) Bearings Q & K are a rigid surface. Members not listed have forces less than 375# Maximum Top Chord Forces Per Ply (lbs) Chords Tens.Comp. Chords Tens. Comp. B - C 0 -2259 E - F 0 -2568 C - D 0 -2259 F - G 0 -2310 D - E 0 -2259 G - H 0 -2310					
				Maximum Bot Chord Forces Per Ply (lbs) Chords Tens.Comp. Chords Tens. Comp. Q - P 1391 0 N - M 2571 0 P - O 2564 0 M - L 2571 0 O - N 2568 0 L - K 1420 0 Maximum Web Forces Per Ply (lbs) Webs Tens.Comp. Webs Tens. Comp. Q - B 0 -1590 F - L 14 -529 B - P 986 0 L - H 1011 0 P - E 0 -652 H - K 0 -1612					

Lumber

Top chord: 4x2 SP #2;
 Bot chord: 4x2 SP M-31; B2 4x2 SP #2;
 Webs: 4x2 SP #3;

Additional Notes

+ 2x6 continuous strongback. See detail STRBRIBR1014 for bracing and bridging recommendations.
 Truss must be installed as shown with top chord up.
 The overall height of this truss excluding overhang is 1-6-0.



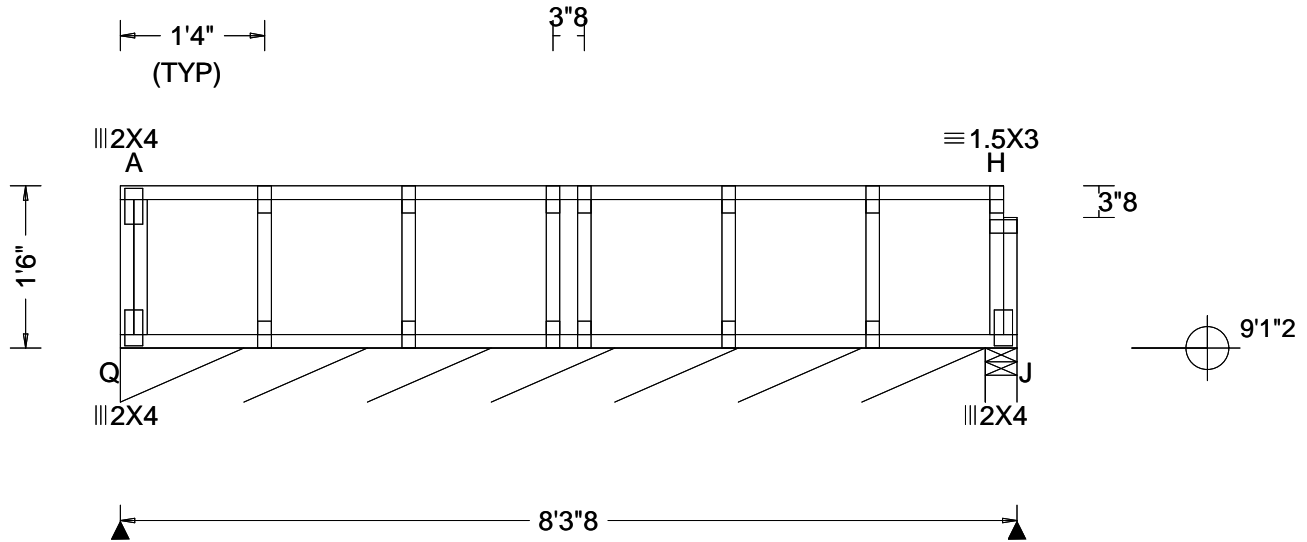
COA #0278

02/12/2026 Florida License Date of Product Approval #FL 1999

****WARNING** READ AND FOLLOW ALL NOTES ON THIS DRAWING!**
****IMPORTANT** FURNISH THIS DRAWING TO ALL CONTRACTORS INCLUDING THE INSTALLERS**
 Trusses require extreme care in fabricating, handling, shipping, installing and bracing. Refer to and follow the latest edition of BCSI (Building Component Safety Information, by TPI and SBCA) for safety practices prior to performing these functions. Installers shall provide temporary bracing per BCSI. Unless noted otherwise, top chord shall have properly attached structural sheathing and bottom chord shall have a properly attached rigid ceiling. Locations shown for permanent lateral restraint of webs shall have continuous lateral restraint (CLR), installed with diagonal bracing installed on the CLR per BCSI sections B3, B7, or B10, as applicable. Apply plates to each face of truss and position as shown above and on the Joint Details, unless noted otherwise. Refer to drawings 160A-Z for standard plate positions. Refer to job's General Notes page for additional information.
 Alpine, a division of ITW Building Components Group Inc. shall not be responsible for any deviation from this drawing, any failure to build the truss in conformance with ANSI/TPI 1, or for handling, shipping, installation and bracing of trusses. A seal on this drawing or cover page listing this drawing, indicates acceptance of professional engineering responsibility solely for the design shown. The suitability and use of this drawing for any structure is the responsibility of the Building Designer per ANSI/TPI 1 Sec.2.
 For more information see these web sites: Alpine: alpineitw.com; TPI: tpinst.org; SBCA: sbccomponents.com; ICC: iccsafe.org; AWC: awc.org



SEQN: 725770 FROM: RFG	SY42 Ply: 1 Qty: 1	Job Number: 25-2668B THOMAS RESIDENCE Truss Label: F1E	Cust: R215 JRef: 1YHK2150006 T1 DrwNo: 043.26.1027.37617 GA / WHK 02/12/2026
---------------------------	--------------------------	--------------------------------------------------------------	------------------------------------------------------------------------------------



Loading Criteria (psf) TCLL: 40.00 TCDL: 10.00 BCLL: 0.00 BCDL: 5.00 Des Ld: 55.00 NCBCLL: 10.00 Soffit: 2.00 Load Duration: 1.00 Spacing: 24.0 "	Wind Criteria Wind Std: NA Speed: NA mph Enclosure: NA Category: NA EXP: NA Kzt: NA Mean Height: NA ft TCDL: NA psf BCDL: NA psf MWFRS Parallel Dist: NA C&C Dist a: NA Loc. from endwall: NA I: NA GCpi: NA Wind Duration: NA	Snow Criteria (Pg,Pf in PSF) Pg: NA Ct: NA CAT: NA Pf: NA Ce: NA Lu: NA Cs: NA Snow Duration: NA Building Code: FBC 8th Ed. 2023 Res. TPI Std: 2014 Rep Fac: Yes FT/RT:20(0)/10(0) Plate Type(s): WAVE	Defl/CSI Criteria PP Deflection in loc L/defl L/# VERT(LL): 0.000 H 999 480 VERT(CL): 0.000 H 999 360 HORZ(LL): -0.003 B - - HORZ(TL): 0.004 B - - Creep Factor: 2.0 Max TC CSI: 0.086 Max BC CSI: 0.019 Max Web CSI: 0.032 VIEW Ver: 24.02.00D.0114.10	▲ Maximum Reactions (lbs), or *=PLF Gravity Non-Gravity Loc R+ /R- /Rh /Rw /U /RL Q* 106 /- /- /- /- /- J 55 /- /- /- /- /- Q Brg Wid = 96.0 Min Req = - J Brg Wid = 3.5 Min Req = 1.5 (Truss) Bearings Q & J are a rigid surface. Members not listed have forces less than 375#
-------------------------------------------------------------------------------------------------------------------------------------------------------------------------------------	------------------------------------------------------------------------------------------------------------------------------------------------------------------------------------------------------------------------------------------------------------------------------	----------------------------------------------------------------------------------------------------------------------------------------------------------------------------------------------------------------------------------------------------	--------------------------------------------------------------------------------------------------------------------------------------------------------------------------------------------------------------------------------------------------------------------------------------------------	-----------------------------------------------------------------------------------------------------------------------------------------------------------------------------------------------------------------------------------------------------------------------------------------------------------------

Lumber

Top chord: 4x2 SP #2;
Bot chord: 4x2 SP #2;
Webs: 4x2 SP #3;

Bracing

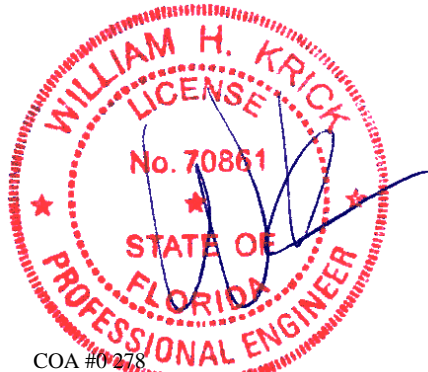
Sheathing is required for any longitudinal(drag) forces. All connections to be designed by the building designer.
Fasten rated sheathing to one face of this frame.

Plating Notes

All plates are 1.5X3 except as noted.

Additional Notes

Truss must be installed as shown with top chord up.
The overall height of this truss excluding overhang is 1-6-0.

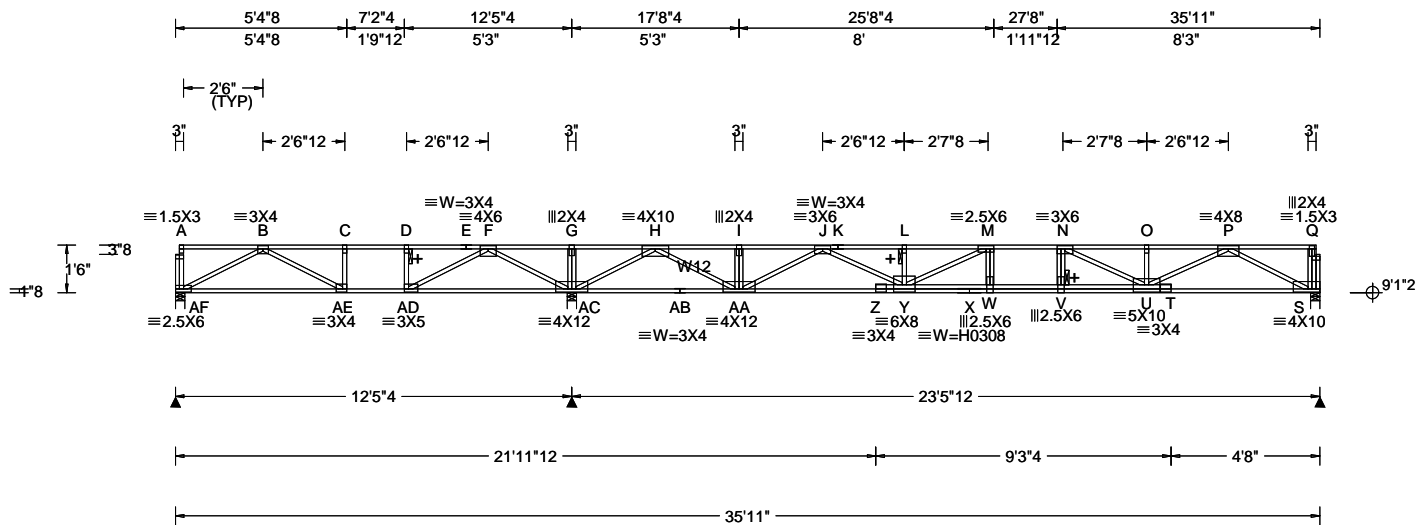


COA #0278

02/12/2026 Florida Certificate of Product Approval #FL 1999

****WARNING** READ AND FOLLOW ALL NOTES ON THIS DRAWING!**
****IMPORTANT** FURNISH THIS DRAWING TO ALL CONTRACTORS INCLUDING THE INSTALLERS**
Trusses require extreme care in fabricating, handling, shipping, installing and bracing. Refer to and follow the latest edition of BCSI (Building Component Safety Information, by TPI and SBCA) for safety practices prior to performing these functions. Installers shall provide temporary bracing per BCSI. Unless noted otherwise, top chord shall have properly attached structural sheathing and bottom chord shall have a properly attached rigid ceiling. Locations shown for permanent lateral restraint of webs shall have continuous lateral restraint (CLR), installed with diagonal bracing installed on the CLR per BCSI sections B3, B7, or B10, as applicable. Apply plates to each face of truss and position as shown above and on the Joint Details, unless noted otherwise. Refer to drawings 160A-Z for standard plate positions. Refer to job's General Notes page for additional information.
Alpine, a division of ITW Building Components Group Inc. shall not be responsible for any deviation from this drawing, any failure to build the truss in conformance with ANSI/TPI 1, or for handling, shipping, installation and bracing of trusses. A seal on this drawing or cover page listing this drawing, indicates acceptance of professional engineering responsibility solely for the design shown. The suitability and use of this drawing for any structure is the responsibility of the Building Designer per ANSI/TPI 1 Sec.2.
For more information see these web sites: Alpine: alpineitw.com; TPI: tpinst.org; SBCA: sbccomponents.com; ICC: iccsafe.org; AWC: awc.org





Loading Criteria (psf) TCLL: 40.00 TCDL: 10.00 BCLL: 0.00 BCDL: 5.00 Des Ld: 55.00 NCBCLL: 10.00 Soffit: 2.00 Load Duration: 1.00 Spacing: 24.0 "	Wind Criteria Wind Std: NA Speed: NA mph Enclosure: NA Category: NA EXP: NA Kzt: NA Mean Height: NA ft TCDL: NA psf BCDL: NA psf MWFRS Parallel Dist: NA C&C Dist a: NA Loc. from endwall: NA I: NA GCpi: NA Wind Duration: NA	Snow Criteria (Pg,Pf in PSF) Pg: NA Ct: NA CAT: NA Pf: NA Ce: NA Lu: NA Cs: NA Snow Duration: NA Building Code: FBC 8th Ed. 2023 Res. TPI Std: 2014 Rep Fac: Yes FT/RT:12(0)/10(0) Plate Type(s): WAVE, HS	Defl/CSI Criteria PP Deflection in loc L/defl L/# VERT(LL): 0.529 M 526 480 VERT(CL): 0.745 M 373 360 HORZ(LL): 0.050 H - - HORZ(TL): 0.071 H - - Creep Factor: 2.0 Max TC CSI: 0.496 Max BC CSI: 0.558 Max Web CSI: 0.777 VIEW Ver: 24.02.00D.0114.10	▲ Maximum Reactions (lbs) Gravity Loc R+ / R- / Rh / Rw / U / RL Non-Gravity AF 605 /-42 /- /- /- /- AC 2336 /- /- /- /- /- S 1195 /- /- /- /- /- AF Brg Wid = 3.5 Min Req = 1.5 (Truss) AC Brg Wid = 3.5 Min Req = 1.5 (Truss) S Brg Wid = 3.5 Min Req = 1.5 (Truss) Bearings AF, AC, & S are a rigid surface. Members not listed have forces less than 375# Maximum Top Chord Forces Per Ply (lbs) Chords Tens.Comp. Chords Tens. Comp. B - C 600 -1091 I - J 0 -2324 C - D 609 -1097 J - K 0 -4427 D - E 622 -1083 K - L 0 -4427 E - F 622 -1083 L - M 0 -4427 F - G 2333 0 M - N 0 -4543 G - H 2333 0 N - O 0 -3401 H - I 0 -2324 O - P 0 -3401
-------------------------------------------------------------------------------------------------------------------------------------------------------------------------------------	------------------------------------------------------------------------------------------------------------------------------------------------------------------------------------------------------------------------------------------------------------------------------	--------------------------------------------------------------------------------------------------------------------------------------------------------------------------------------------------------------------------------------------------------	-------------------------------------------------------------------------------------------------------------------------------------------------------------------------------------------------------------------------------------------------------------------------------------------------	-------------------------------------------------------------------------------------------------------------------------------------------------------------------------------------------------------------------------------------------------------------------------------------------------------------------------------------------------------------------------------------------------------------------------------------------------------------------------------------------------------------------------------------------------------------------------------------------------------------------------------------------------------------------------------------------------------------------------------

Lumber
Top chord: 4x2 SP M-31;
Bot chord: 4x2 SP M-31;
Webs: 4x2 SP #3; W12 4x2 SP #2;

Plating Notes
All plates are 1.5X3 except as noted.

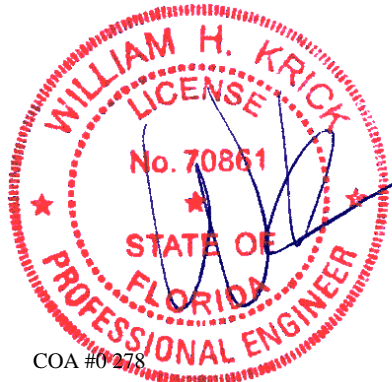
Additional Notes
+ 2x6 continuous strongback. See detail STRBRIBR1014 for bracing and bridging recommendations.
Truss must be installed as shown with top chord up.
The overall height of this truss excluding overhang is 1-6-0.

Maximum Bot Chord Forces Per Ply (lbs)

Chords	Tens.Comp.	Chords	Tens. Comp.
AF-AE	853 -170	Y - X	4547 0
AE-AD	1097 -609	X - W	4547 0
AD-AC	413 -1352	W - V	4543 0
AC-AB	481 -217	V - U	4532 0
AB-AA	481 -217	U - T	1944 0
AA-Z	3603 0	T - S	1948 0
Z - Y	3598 0		

Maximum Web Forces Per Ply (lbs)

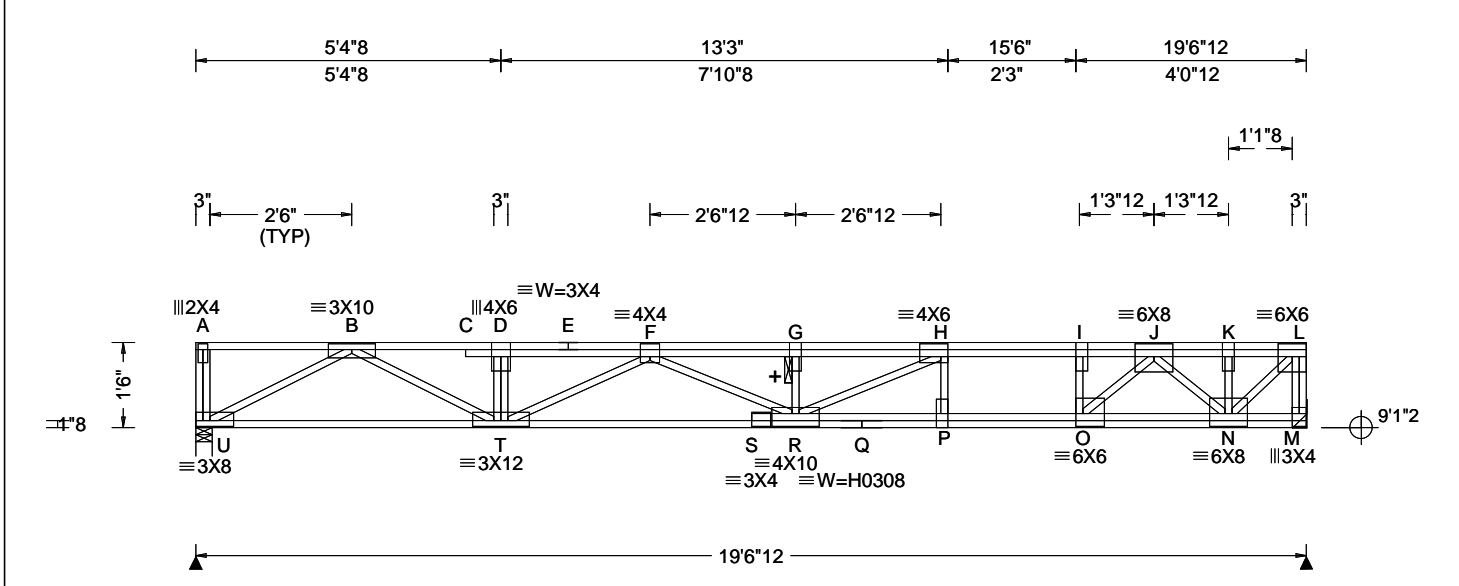
Webs	Tens.Comp.	Webs	Tens. Comp.
AF - B	193 -970	AA - J	0 -1510
B - AE	272 -491	J - Y	991 0
D - AD	0 -477	Y - M	280 -692
AD - F	1243 0	N - U	0 -1371
F - AC	0 -1580	U - P	1633 0
AC - H	0 -2631	P - S	0 -2203
H - AA	2150 0		



COA #0278
02/12/2026
Florida Certificate of Product Approval #FL 1999

****WARNING** READ AND FOLLOW ALL NOTES ON THIS DRAWING!**
****IMPORTANT** FURNISH THIS DRAWING TO ALL CONTRACTORS INCLUDING THE INSTALLERS**
Trusses require extreme care in fabricating, handling, shipping, installing and bracing. Refer to and follow the latest edition of BCSI (Building Component Safety Information, by TPI and SBCA) for safety practices prior to performing these functions. Installers shall provide temporary bracing per BCSI. Unless noted otherwise, top chord shall have properly attached structural sheathing and bottom chord shall have a properly attached rigid ceiling. Locations shown for permanent lateral restraint of webs shall have continuous lateral restraint (CLR), installed with diagonal bracing installed on the CLR per BCSI sections B3, B7, or B10, as applicable. Apply plates to each face of truss and position as shown above and on the Joint Details, unless noted otherwise. Refer to drawings 160A-Z for standard plate positions. Refer to job's General Notes page for additional information.
Alpine, a division of ITW Building Components Group Inc. shall not be responsible for any deviation from this drawing, any failure to build the truss in conformance with ANSI/TPI 1, or for handling, shipping, installation and bracing of trusses. A seal on this drawing or cover page listing this drawing, indicates acceptance of professional engineering responsibility solely for the design shown. The suitability and use of this drawing for any structure is the responsibility of the Building Designer per ANSI/TPI 1 Sec.2.
For more information see these web sites: Alpine: alpineitw.com; TPI: tpinst.org; SBCA: sbccomponents.com; ICC: iccsafe.org; AWC: awc.org





Loading Criteria (psf) TCCL: 40.00 TCCL: 10.00 BCLL: 0.00 BCDL: 5.00 Des Ld: 55.00 NCBCLL: 10.00 Soffit: 2.00 Load Duration: 1.00 Spacing: 24.0 "	Wind Criteria Wind Std: NA Speed: NA mph Enclosure: NA Category: NA EXP: NA Kzt: NA Mean Height: NA ft TCCL: NA psf BCDL: NA psf MWFRS Parallel Dist: NA C&C Dist a: NA Loc. from endwall: NA I: NA GCpi: NA Wind Duration: NA	Snow Criteria (Pg,Pf in PSF) Pg: NA Ct: NA CAT: NA Pf: NA Ce: NA Lu: NA Cs: NA Snow Duration: NA Building Code: FBC 8th Ed. 2023 Res. TPI Std: 2014 Rep Fac: Yes FT/RT:12(0)/10(0) Plate Type(s): WAVE, HS	Defl/CSI Criteria PP Deflection in loc L/defl L/# VERT(LL): 0.443 G 516 480 VERT(CL): 0.602 G 379 360 HORZ(LL): 0.057 B - - HORZ(TL): 0.078 B - - Creep Factor: 2.0 Max TC CSI: 0.473 Max BC CSI: 0.606 Max Web CSI: 0.826 VIEW Ver: 24.02.00D.0114.10	Maximum Reactions (lbs) <table border="1"> <thead> <tr> <th rowspan="2">Loc</th> <th colspan="3">Gravity</th> <th colspan="3">Non-Gravity</th> </tr> <tr> <th>R+</th> <th>/R-</th> <th>/Rh</th> <th>/Rw</th> <th>/U</th> <th>/RL</th> </tr> </thead> <tbody> <tr> <td>U</td> <td>1076</td> <td>-</td> <td>-</td> <td>-</td> <td>-</td> <td>-</td> </tr> <tr> <td>M</td> <td>1076</td> <td>-</td> <td>-</td> <td>-</td> <td>-</td> <td>-</td> </tr> <tr> <td colspan="7">U Brg Wid = 3.5 Min Req = 1.5 (Truss)</td> </tr> <tr> <td colspan="7">M Brg Wid = - Min Req = -</td> </tr> <tr> <td colspan="7">Bearing U is a rigid surface.</td> </tr> <tr> <td colspan="7">Members not listed have forces less than 375#</td> </tr> <tr> <td colspan="7">Maximum Top Chord Forces Per Ply (lbs)</td> </tr> <tr> <th>Chords</th> <th>Tens.Comp.</th> <th>Chords</th> <th>Tens. Comp.</th> <th>Chords</th> <th>Tens. Comp.</th> <th>Chords</th> </tr> <tr> <td>B - D</td> <td>0 - 2893</td> <td>H - I</td> <td>0 - 3073</td> <td>D - E</td> <td>0 - 2892</td> <td>I - J</td> <td>0 - 3033</td> </tr> <tr> <td>E - F</td> <td>0 - 2893</td> <td>J - K</td> <td>0 - 824</td> <td>F - G</td> <td>0 - 3944</td> <td>K - L</td> <td>0 - 824</td> </tr> <tr> <td>G - H</td> <td>0 - 3944</td> <td></td> <td></td> <td></td> <td></td> <td></td> <td></td> </tr> </tbody> </table>	Loc	Gravity			Non-Gravity			R+	/R-	/Rh	/Rw	/U	/RL	U	1076	-	-	-	-	-	M	1076	-	-	-	-	-	U Brg Wid = 3.5 Min Req = 1.5 (Truss)							M Brg Wid = - Min Req = -							Bearing U is a rigid surface.							Members not listed have forces less than 375#							Maximum Top Chord Forces Per Ply (lbs)							Chords	Tens.Comp.	Chords	Tens. Comp.	Chords	Tens. Comp.	Chords	B - D	0 - 2893	H - I	0 - 3073	D - E	0 - 2892	I - J	0 - 3033	E - F	0 - 2893	J - K	0 - 824	F - G	0 - 3944	K - L	0 - 824	G - H	0 - 3944						
Loc	Gravity			Non-Gravity																																																																																													
	R+	/R-	/Rh	/Rw	/U	/RL																																																																																											
U	1076	-	-	-	-	-																																																																																											
M	1076	-	-	-	-	-																																																																																											
U Brg Wid = 3.5 Min Req = 1.5 (Truss)																																																																																																	
M Brg Wid = - Min Req = -																																																																																																	
Bearing U is a rigid surface.																																																																																																	
Members not listed have forces less than 375#																																																																																																	
Maximum Top Chord Forces Per Ply (lbs)																																																																																																	
Chords	Tens.Comp.	Chords	Tens. Comp.	Chords	Tens. Comp.	Chords																																																																																											
B - D	0 - 2893	H - I	0 - 3073	D - E	0 - 2892	I - J	0 - 3033																																																																																										
E - F	0 - 2893	J - K	0 - 824	F - G	0 - 3944	K - L	0 - 824																																																																																										
G - H	0 - 3944																																																																																																

Lumber

Top chord: 4x2 SP M-31;
 Bot chord: 4x2 SP M-31;
 Webs: 4x2 SP #3;

Plating Notes

All plates are 2.5X6 except as noted.

Additional Notes

+ 2x6 continuous strongback. See detail STRBRIBR1014 for bracing and bridging recommendations.
 Truss must be installed as shown with top chord up.
 The overall height of this truss excluding overhang is 1'-6".

Maximum Bot Chord Forces Per Ply (lbs)

Chords	Tens.Comp.	Chords	Tens. Comp.
U - T	1669 0	Q - P	3086 0
T - S	3720 0	P - O	3073 0
S - R	3711 0	O - N	1813 0
R - Q	3086 0		

Maximum Web Forces Per Ply (lbs)

Webs	Tens.Comp.	Webs	Tens. Comp.
U - B	0 - 1907	I - O	0 - 811
B - T	1383 0	O - J	1734 0
T - F	0 - 924	J - N	0 - 1365
G - R	0 - 424	N - L	1265 0
R - H	1065 0	L - M	0 - 871



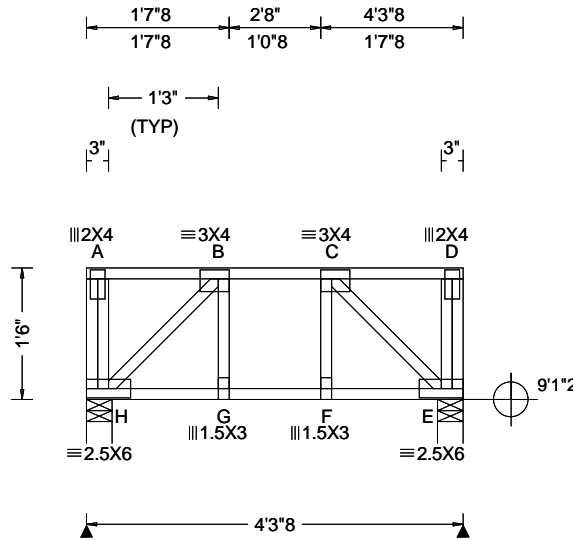
COA #0278

02/12/2026
 Florida Certificate of Product Approval #FL 1999

****WARNING** READ AND FOLLOW ALL NOTES ON THIS DRAWING!**
****IMPORTANT** FURNISH THIS DRAWING TO ALL CONTRACTORS INCLUDING THE INSTALLERS**
 Trusses require extreme care in fabricating, handling, shipping, installing and bracing. Refer to and follow the latest edition of BCSI (Building Component Safety Information, by TPI and SBCA) for safety practices prior to performing these functions. Installers shall provide temporary bracing per BCSI. Unless noted otherwise, top chord shall have properly attached structural sheathing and bottom chord shall have a properly attached rigid ceiling. Locations shown for permanent lateral restraint of webs shall have continuous lateral restraint (CLR), installed with diagonal bracing installed on the CLR per BCSI sections B3, B7, or B10, as applicable. Apply plates to each face of truss and position as shown above and on the Joint Details, unless noted otherwise. Refer to drawings 160A-Z for standard plate positions. Refer to job's General Notes page for additional information.
 Alpine, a division of ITW Building Components Group Inc. shall not be responsible for any deviation from this drawing, any failure to build the truss in conformance with ANSI/TPI 1, or for handling, shipping, installation and bracing of trusses. A seal on this drawing or cover page listing this drawing, indicates acceptance of professional engineering responsibility solely for the design shown. The suitability and use of this drawing for any structure is the responsibility of the Building Designer per ANSI/TPI 1 Sec.2.
 For more information see these web sites: Alpine: alpineitw.com; TPI: tpinst.org; SBCA: sbccomponents.com; ICC: iccsafe.org; AWC: awc.org



SEQN: 725774 FROM: RFG	SY42 Ply: 1 Qty: 2	Job Number: 25-2668B THOMAS RESIDENCE Truss Label: F2B	Cust: R215 JRRef: 1YHK2150006 T12 DrwNo: 043.26.1033.18170 GA / WHK 02/12/2026
---------------------------	--------------------------	--------------------------------------------------------------	--------------------------------------------------------------------------------------



Loading Criteria (psf) TCLL: 40.00 TCDL: 10.00 BCCL: 0.00 BCDL: 5.00 Des Ld: 55.00 NCBCLL: 10.00 Soffit: 2.00 Load Duration: 1.00 Spacing: 24.0 "	Wind Criteria Wind Std: NA Speed: NA mph Enclosure: NA Category: NA EXP: NA Kzt: NA Mean Height: NA ft TCDL: NA psf BCCL: NA psf MWFRS Parallel Dist: NA C&C Dist a: NA Loc. from endwall: NA I: NA GCpi: NA Wind Duration: NA	Snow Criteria (Pg,Pf in PSF) Pg: NA Ct: NA CAT: NA Pf: NA Ce: NA Lu: NA Cs: NA Snow Duration: NA Building Code: FBC 8th Ed. 2023 Res. TPI Std: 2014 Rep Fac: Yes FT/RT:12(0)/10(0) Plate Type(s): WAVE	Defl/CSI Criteria PP Deflection in loc L/defl L/# VERT(LL): 0.004 G 999 480 VERT(CL): 0.006 G 999 360 HORZ(LL): 0.002 B - - HORZ(TL): 0.004 B - - Creep Factor: 2.0 Max TC CSI: 0.090 Max BC CSI: 0.074 Max Web CSI: 0.049 VIEW Ver: 24.02.00D.0114.10	▲ Maximum Reactions (lbs) Gravity Non-Gravity Loc R+ /R- /Rh /Rw /U /RL H 236 /- /- /- /- /- E 236 /- /- /- /- /- H Brg Wid = 3.5 Min Req = 1.5 (Truss) E Brg Wid = 3.5 Min Req = 1.5 (Truss) Bearings H & E are a rigid surface. Members not listed have forces less than 375#

Lumber

Top chord: 4x2 SP #2;
 Bot chord: 4x2 SP #2;
 Webs: 4x2 SP #3;

Additional Notes

Truss must be installed as shown with top chord up.
 The overall height of this truss excluding overhang is 1-6-0.



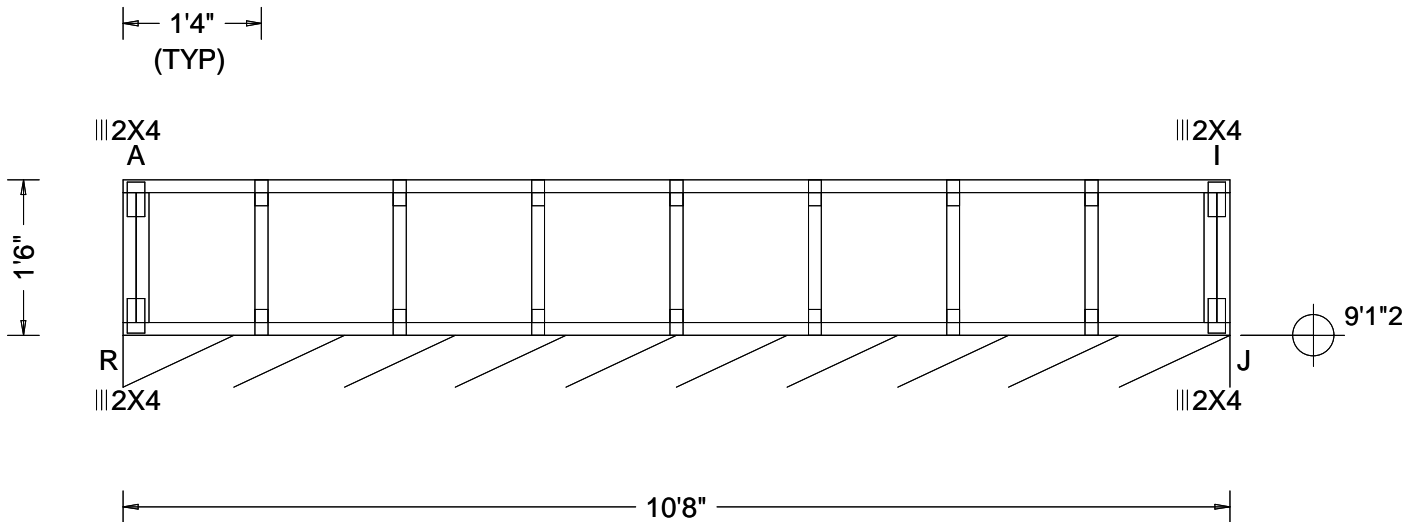
COA #0278

02/12/2026
 Florida Certificate of Product Approval #FL 1999

****WARNING** READ AND FOLLOW ALL NOTES ON THIS DRAWING!**
****IMPORTANT** FURNISH THIS DRAWING TO ALL CONTRACTORS INCLUDING THE INSTALLERS**
 Trusses require extreme care in fabricating, handling, shipping, installing and bracing. Refer to and follow the latest edition of BCSI (Building Component Safety Information, by TPI and SBCA) for safety practices prior to performing these functions. Installers shall provide temporary bracing per BCSI. Unless noted otherwise, top chord shall have properly attached structural sheathing and bottom chord shall have a properly attached rigid ceiling. Locations shown for permanent lateral restraint of webs shall have continuous lateral restraint (CLR), installed with diagonal bracing installed on the CLR per BCSI sections B3, B7, or B10, as applicable. Apply plates to each face of truss and position as shown above and on the Joint Details, unless noted otherwise. Refer to drawings 160A-Z for standard plate positions. Refer to job's General Notes page for additional information.
 Alpine, a division of ITW Building Components Group Inc. shall not be responsible for any deviation from this drawing, any failure to build the truss in conformance with ANSI/TPI 1, or for handling, shipping, installation and bracing of trusses. A seal on this drawing or cover page listing this drawing, indicates acceptance of professional engineering responsibility solely for the design shown. The suitability and use of this drawing for any structure is the responsibility of the Building Designer per ANSI/TPI 1 Sec.2.
 For more information see these web sites: Alpine: alpineitw.com; TPI: tpinst.org; SBCA: sbccomponents.com; ICC: iccsafe.org; AWC: awc.org



SEQN: 725929 FROM: RFG	SY42 Ply: 1 Qty: 1	Job Number: 25-2668B THOMAS RESIDENCE Truss Label: F2E	Cust: R215 JRRef: 1YHK2150006 T11 DrwNo: 043.26.1033.23990 GA / WHK 02/12/2026
---------------------------	--------------------------	--------------------------------------------------------------	--------------------------------------------------------------------------------------



Loading Criteria (psf) TCCL: 40.00 TCCL: 10.00 BCLL: 0.00 BCDL: 5.00 Des Ld: 55.00 NCBCLL: 10.00 Soffit: 2.00 Load Duration: 1.00 Spacing: 24.0 "	Wind Criteria Wind Std: NA Speed: NA mph Enclosure: NA Category: NA EXP: NA Kzt: NA Mean Height: NA ft TCCL: NA psf BCDL: NA psf MWFRS Parallel Dist: NA C&C Dist a: NA Loc. from endwall: NA I: NA GCpi: NA Wind Duration: NA	Snow Criteria (Pg,Pf in PSF) Pg: NA Ct: NA CAT: NA Pf: NA Ce: NA Lu: NA Cs: NA Snow Duration: NA Building Code: FBC 8th Ed. 2023 Res. TPI Std: 2014 Rep Fac: Yes FT/RT:20(0)/10(0) Plate Type(s): WAVE	Defl/CSI Criteria PP Deflection in loc L/defl L/# VERT(LL): 0.000 I 999 480 VERT(CL): 0.001 I 999 360 HORZ(LL): 0.000 I - - HORZ(TL): 0.000 I - - Creep Factor: 2.0 Max TC CSI: 0.082 Max BC CSI: 0.018 Max Web CSI: 0.031 VIEW Ver: 24.02.00D.0114.10	▲ Maximum Reactions (lbs), or *=PLF <table border="1"> <thead> <tr> <th colspan="2">Gravity</th> <th colspan="4">Non-Gravity</th> </tr> <tr> <th>Loc</th> <th>R+ / R-</th> <th>/ Rh</th> <th>/ Rw</th> <th>/ U</th> <th>/ RL</th> </tr> </thead> <tbody> <tr> <td>J*</td> <td>110</td> <td>/-</td> <td>/-</td> <td>/41</td> <td>/4</td> </tr> <tr> <td>J</td> <td colspan="5">Brg Wid = 127 Min Req = -</td> </tr> </tbody> </table> Bearing R is a rigid surface. Members not listed have forces less than 375#	Gravity		Non-Gravity				Loc	R+ / R-	/ Rh	/ Rw	/ U	/ RL	J*	110	/-	/-	/41	/4	J	Brg Wid = 127 Min Req = -				
Gravity		Non-Gravity																										
Loc	R+ / R-	/ Rh	/ Rw	/ U	/ RL																							
J*	110	/-	/-	/41	/4																							
J	Brg Wid = 127 Min Req = -																											

Lumber

Top chord: 4x2 SP #2;
 Bot chord: 4x2 SP #2;
 Webs: 4x2 SP #3;

Bracing

Sheathing is required for any longitudinal(drag) forces. All connections to be designed by the building designer.
 Fasten rated sheathing to one face of this frame.

Plating Notes

All plates are 1.5X3 except as noted.

Wind

End verticals not exposed to wind pressure.

Additional Notes

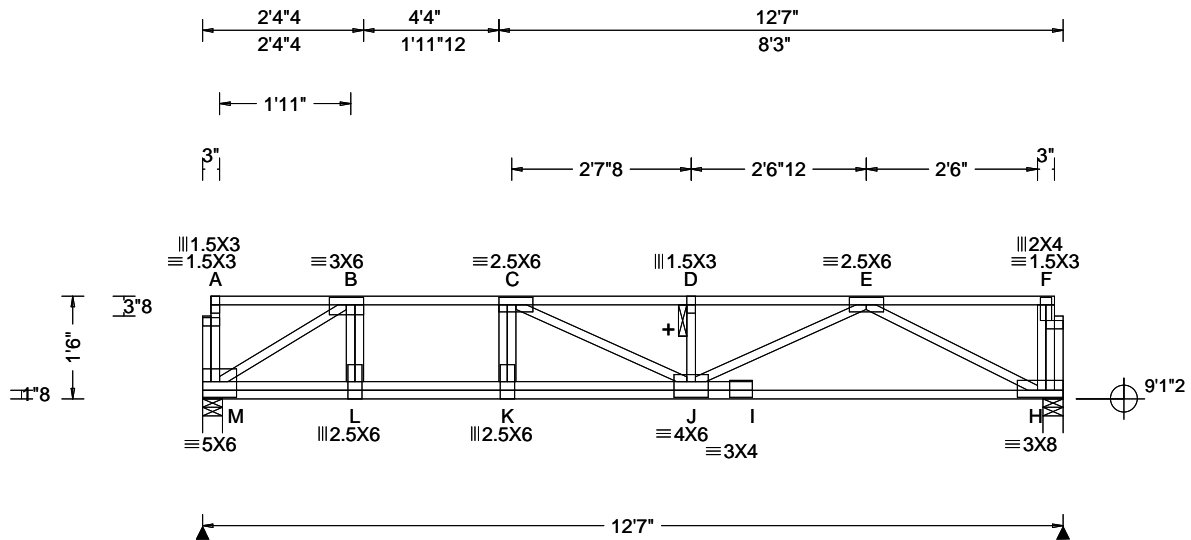
Truss must be installed as shown with top chord up.
 The overall height of this truss excluding overhang is 1-6-0.



COA #0278
 02/12/2026
 Florida Certificate of Product Approval #FL 1999

****WARNING** READ AND FOLLOW ALL NOTES ON THIS DRAWING!**
****IMPORTANT** FURNISH THIS DRAWING TO ALL CONTRACTORS INCLUDING THE INSTALLERS**
 Trusses require extreme care in fabricating, handling, shipping, installing and bracing. Refer to and follow the latest edition of BCSI (Building Component Safety Information, by TPI and SBCA) for safety practices prior to performing these functions. Installers shall provide temporary bracing per BCSI. Unless noted otherwise, top chord shall have properly attached structural sheathing and bottom chord shall have a properly attached rigid ceiling. Locations shown for permanent lateral restraint of webs shall have continuous lateral restraint (CLR), installed with diagonal bracing installed on the CLR per BCSI sections B3, B7, or B10, as applicable. Apply plates to each face of truss and position as shown above and on the Joint Details, unless noted otherwise. Refer to drawings 160A-Z for standard plate positions. Refer to job's General Notes page for additional information.
 Alpine, a division of ITW Building Components Group Inc. shall not be responsible for any deviation from this drawing, any failure to build the truss in conformance with ANSI/TPI 1, or for handling, shipping, installation and bracing of trusses. A seal on this drawing or cover page listing this drawing, indicates acceptance of professional engineering responsibility solely for the design shown. The suitability and use of this drawing for any structure is the responsibility of the Building Designer per ANSI/TPI 1 Sec.2.
 For more information see these web sites: Alpine: alpineitw.com; TPI: tpinst.org; SBCA: sbccomponents.com; ICC: iccsafe.org; AWC: awc.org





Loading Criteria (psf) TCLL: 40.00 TCDL: 10.00 BCLL: 0.00 BCDL: 5.00 Des Ld: 55.00 NCBCLL: 10.00 Soffit: 2.00 Load Duration: 1.00 Spacing: 24.0 "	Wind Criteria Wind Std: NA Speed: NA mph Enclosure: NA Category: NA EXP: NA Kzt: NA Mean Height: NA ft TCDL: NA psf BCDL: NA psf MWFRS Parallel Dist: NA C&C Dist a: NA Loc. from endwall: NA I: NA GCpi: NA Wind Duration: NA	Snow Criteria (Pg,Pf in PSF) Pg: NA Ct: NA CAT: NA Pf: NA Ce: NA Lu: NA Cs: NA Snow Duration: NA Building Code: FBC 8th Ed. 2023 Res. TPI Std: 2014 Rep Fac: Yes FT/RT:12(0)/10(0) Plate Type(s): WAVE	Defl/CSI Criteria PP Deflection in loc L/defl L/# VERT(LL): 0.215 K 675 480 VERT(CL): 0.304 K 477 360 HORZ(LL): -0.026 F - - HORZ(TL): 0.039 F - - Creep Factor: 2.0 Max TC CSI: 0.484 Max BC CSI: 0.410 Max Web CSI: 0.347 VIEW Ver: 24.02.00D.0114.10	▲ Maximum Reactions (lbs) Gravity Non-Gravity Loc R+ / R- / Rh / Rw / U / RL M 674 /- /- /- /- /- H 685 /- /- /- /- /- M Brg Wid = 3.5 Min Req = 1.5 (Truss) H Brg Wid = 3.5 Min Req = 1.5 (Truss) Bearings M & H are a rigid surface. Members not listed have forces less than 375# Maximum Top Chord Forces Per Ply (lbs) Chords Tens.Comp. Chords Tens. Comp. B - C 0 - 1169 D - E 0 - 1552 C - D 0 - 1552
-------------------------------------------------------------------------------------------------------------------------------------------------------------------------------------	------------------------------------------------------------------------------------------------------------------------------------------------------------------------------------------------------------------------------------------------------------------------------	----------------------------------------------------------------------------------------------------------------------------------------------------------------------------------------------------------------------------------------------------	--------------------------------------------------------------------------------------------------------------------------------------------------------------------------------------------------------------------------------------------------------------------------------------------------	-----------------------------------------------------------------------------------------------------------------------------------------------------------------------------------------------------------------------------------------------------------------------------------------------------------------------------------------------------------------------------------------------------------------------------------------------------------------

Lumber

Top chord: 4x2 SP M-31;
Bot chord: 4x2 SP M-31;
Webs: 4x2 SP #3;

Additional Notes

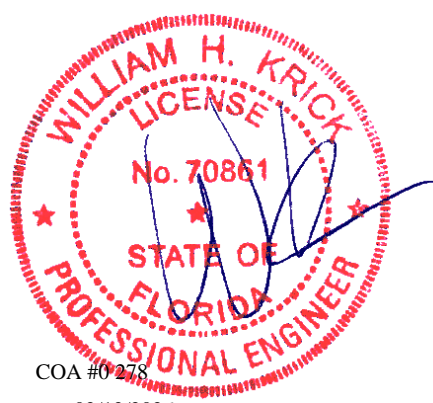
+ 2x6 continuous strongback. See detail STRBRIBR1014 for bracing and bridging recommendations.
Truss must be installed as shown with top chord up.
The overall height of this truss excluding overhang is 1-6-0.

Maximum Bot Chord Forces Per Ply (lbs)

Chords	Tens.Comp.	Chords	Tens. Comp.
M - L	1151 0	J - I	1020 0
L - K	1169 0	I - H	1020 0
K - J	1182 0		

Maximum Web Forces Per Ply (lbs)

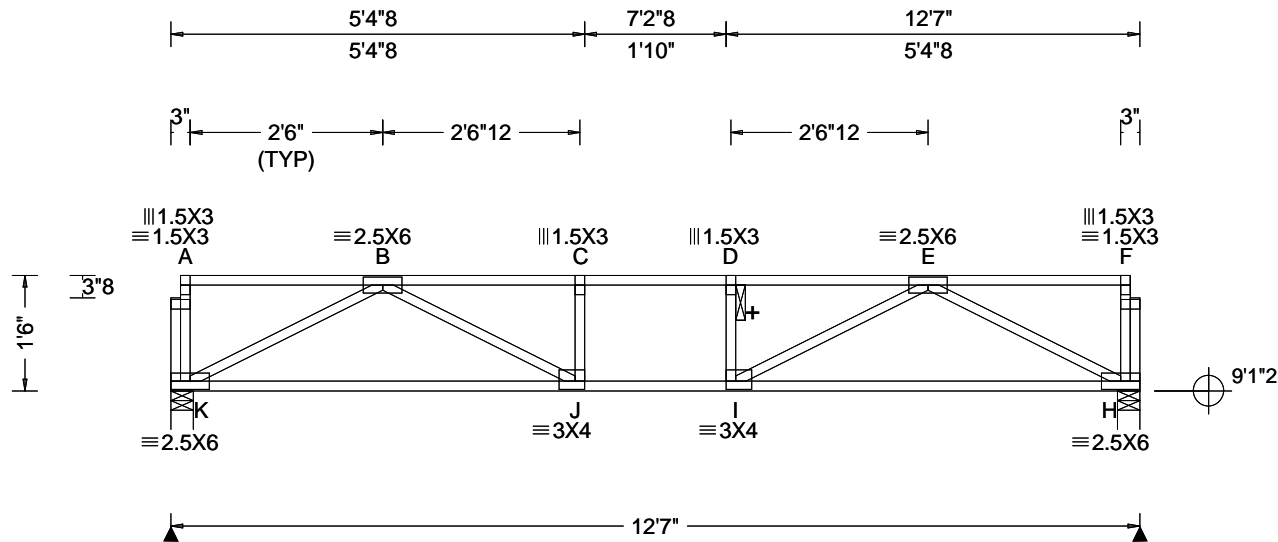
Webs	Tens.Comp.	Webs	Tens. Comp.
M - B	0 - 1382	J - E	597 0
B - L	393 0	E - H	0 - 1150
C - J	467 0		



COA #0278
02/12/2026
Florida Certificate of Product Approval #FL 1999

****WARNING** READ AND FOLLOW ALL NOTES ON THIS DRAWING!**
****IMPORTANT** FURNISH THIS DRAWING TO ALL CONTRACTORS INCLUDING THE INSTALLERS**
Trusses require extreme care in fabricating, handling, shipping, installing and bracing. Refer to and follow the latest edition of BCSI (Building Component Safety Information, by TPI and SBCA) for safety practices prior to performing these functions. Installers shall provide temporary bracing per BCSI. Unless noted otherwise, top chord shall have properly attached structural sheathing and bottom chord shall have a properly attached rigid ceiling. Locations shown for permanent lateral restraint of webs shall have continuous lateral restraint (CLR), installed with diagonal bracing installed on the CLR per BCSI sections B3, B7, or B10, as applicable. Apply plates to each face of truss and position as shown above and on the Joint Details, unless noted otherwise. Refer to drawings 160A-Z for standard plate positions. Refer to job's General Notes page for additional information.
Alpine, a division of ITW Building Components Group Inc. shall not be responsible for any deviation from this drawing, any failure to build the truss in conformance with ANSI/TPI 1, or for handling, shipping, installation and bracing of trusses. A seal on this drawing or cover page listing this drawing, indicates acceptance of professional engineering responsibility solely for the design shown. The suitability and use of this drawing for any structure is the responsibility of the Building Designer per ANSI/TPI 1 Sec.2.
For more information see these web sites: Alpine: alpineitw.com; TPI: tpinst.org; SBCA: sbccomponents.com; ICC: iccsafe.org; AWC: awc.org





Loading Criteria (psf) TCCL: 40.00 TCCL: 10.00 BCLL: 0.00 BCDL: 5.00 Des Ld: 55.00 NCBCLL: 10.00 Soffit: 2.00 Load Duration: 1.00 Spacing: 24.0 "	Wind Criteria Wind Std: NA Speed: NA mph Enclosure: NA Category: NA EXP: NA Kzt: NA Mean Height: NA ft TCCL: NA psf BCDL: NA psf MWFRS Parallel Dist: NA C&C Dist a: NA Loc. from endwall: NA I: NA GCpi: NA Wind Duration: NA	Snow Criteria (Pg,Pf in PSF) Pg: NA Ct: NA CAT: NA Pf: NA Ce: NA Lu: NA Cs: NA Snow Duration: NA Building Code: FBC 8th Ed. 2023 Res. TPI Std: 2014 Rep Fac: Yes FT/RT:12(0)/10(0) Plate Type(s): WAVE	Defl/CSI Criteria PP Deflection in loc L/defl L/# VERT(LL): 0.106 C 999 480 VERT(CL): 0.175 C 838 360 HORZ(LL): 0.022 B - - HORZ(TL): 0.036 B - - Creep Factor: 2.0 Max TC CSI: 0.570 Max BC CSI: 0.550 Max Web CSI: 0.325 VIEW Ver: 24.02.00D.0114.10	▲ Maximum Reactions (lbs) <table style="width:100%; border-collapse: collapse;"> <thead> <tr> <th rowspan="2">Loc</th> <th colspan="3">Gravity</th> <th colspan="3">Non-Gravity</th> </tr> <tr> <th>R+</th> <th>/R-</th> <th>/Rh</th> <th>/Rw</th> <th>/U</th> <th>/RL</th> </tr> </thead> <tbody> <tr> <td>K</td> <td>680</td> <td>-</td> <td>-</td> <td>-</td> <td>-</td> <td>-</td> </tr> <tr> <td>H</td> <td>680</td> <td>-</td> <td>-</td> <td>-</td> <td>-</td> <td>-</td> </tr> <tr> <td colspan="7">K Brg Wid = 3.5 Min Req = 1.5 (Truss)</td> </tr> <tr> <td colspan="7">H Brg Wid = 3.5 Min Req = 1.5 (Truss)</td> </tr> <tr> <td colspan="7">Bearings K & H are a rigid surface.</td> </tr> <tr> <td colspan="7">Members not listed have forces less than 375#</td> </tr> <tr> <td colspan="7">Maximum Top Chord Forces Per Ply (lbs)</td> </tr> <tr> <td colspan="2">Chords</td> <td colspan="2">Tens.Comp.</td> <td colspan="2">Chords</td> <td colspan="1">Tens. Comp.</td> </tr> <tr> <td colspan="2">B - C</td> <td colspan="2">0 - 1475</td> <td colspan="2">D - E</td> <td colspan="1">0 - 1475</td> </tr> <tr> <td colspan="2">C - D</td> <td colspan="2">0 - 1485</td> <td colspan="3"></td> </tr> </tbody> </table> Maximum Bot Chord Forces Per Ply (lbs) <table style="width:100%; border-collapse: collapse;"> <thead> <tr> <th colspan="2">Chords</th> <th colspan="2">Tens.Comp.</th> <th colspan="2">Chords</th> <th colspan="1">Tens. Comp.</th> </tr> </thead> <tbody> <tr> <td colspan="2">K - J</td> <td colspan="2">1018 0</td> <td colspan="2">I - H</td> <td colspan="1">1018 0</td> </tr> <tr> <td colspan="2">J - I</td> <td colspan="2">1485 0</td> <td colspan="3"></td> </tr> </tbody> </table> Maximum Web Forces Per Ply (lbs) <table style="width:100%; border-collapse: collapse;"> <thead> <tr> <th colspan="2">Webs</th> <th colspan="2">Tens.Comp.</th> <th colspan="2">Webs</th> <th colspan="1">Tens. Comp.</th> </tr> </thead> <tbody> <tr> <td colspan="2">K - B</td> <td colspan="2">0 - 1156</td> <td colspan="2">I - E</td> <td colspan="1">591 0</td> </tr> <tr> <td colspan="2">B - J</td> <td colspan="2">591 0</td> <td colspan="2">E - H</td> <td colspan="1">0 - 1156</td> </tr> </tbody> </table>	Loc	Gravity			Non-Gravity			R+	/R-	/Rh	/Rw	/U	/RL	K	680	-	-	-	-	-	H	680	-	-	-	-	-	K Brg Wid = 3.5 Min Req = 1.5 (Truss)							H Brg Wid = 3.5 Min Req = 1.5 (Truss)							Bearings K & H are a rigid surface.							Members not listed have forces less than 375#							Maximum Top Chord Forces Per Ply (lbs)							Chords		Tens.Comp.		Chords		Tens. Comp.	B - C		0 - 1475		D - E		0 - 1475	C - D		0 - 1485					Chords		Tens.Comp.		Chords		Tens. Comp.	K - J		1018 0		I - H		1018 0	J - I		1485 0					Webs		Tens.Comp.		Webs		Tens. Comp.	K - B		0 - 1156		I - E		591 0	B - J		591 0		E - H		0 - 1156
Loc	Gravity			Non-Gravity																																																																																																																													
	R+	/R-	/Rh	/Rw	/U	/RL																																																																																																																											
K	680	-	-	-	-	-																																																																																																																											
H	680	-	-	-	-	-																																																																																																																											
K Brg Wid = 3.5 Min Req = 1.5 (Truss)																																																																																																																																	
H Brg Wid = 3.5 Min Req = 1.5 (Truss)																																																																																																																																	
Bearings K & H are a rigid surface.																																																																																																																																	
Members not listed have forces less than 375#																																																																																																																																	
Maximum Top Chord Forces Per Ply (lbs)																																																																																																																																	
Chords		Tens.Comp.		Chords		Tens. Comp.																																																																																																																											
B - C		0 - 1475		D - E		0 - 1475																																																																																																																											
C - D		0 - 1485																																																																																																																															
Chords		Tens.Comp.		Chords		Tens. Comp.																																																																																																																											
K - J		1018 0		I - H		1018 0																																																																																																																											
J - I		1485 0																																																																																																																															
Webs		Tens.Comp.		Webs		Tens. Comp.																																																																																																																											
K - B		0 - 1156		I - E		591 0																																																																																																																											
B - J		591 0		E - H		0 - 1156																																																																																																																											

Lumber

Top chord: 4x2 SP #2;
 Bot chord: 4x2 SP #2;
 Webs: 4x2 SP #3;

Additional Notes

+ 2x6 continuous strongback. See detail STRBRIBR1014 for bracing and bridging recommendations.
 Truss must be installed as shown with top chord up.
 The overall height of this truss excluding overhang is 1-6-0.

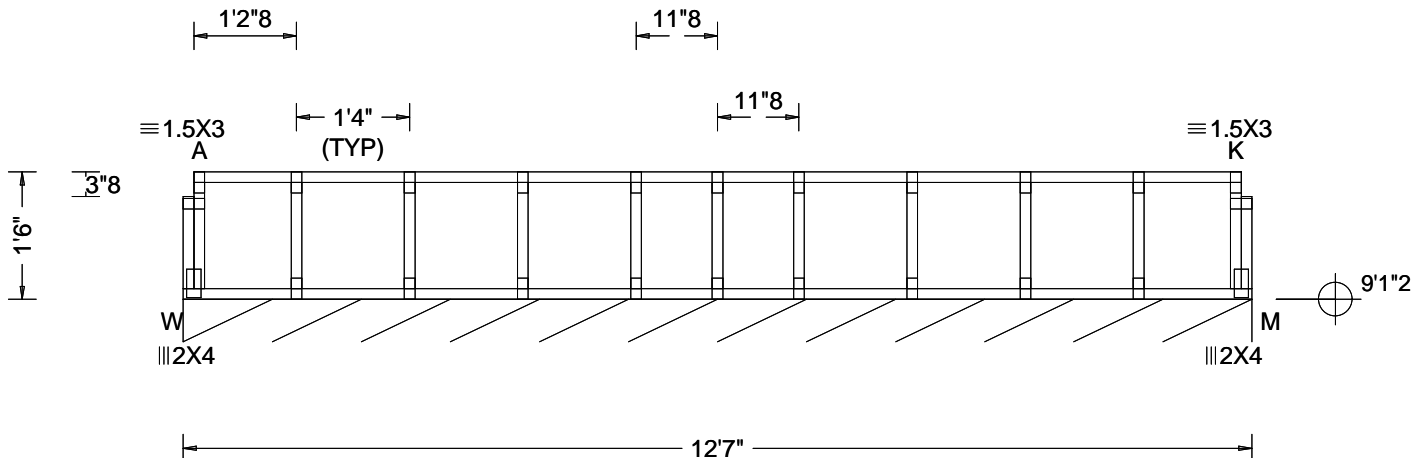


COA #0278
 02/12/2026
 Florida Certificate of Product Approval #FL 1999

****WARNING** READ AND FOLLOW ALL NOTES ON THIS DRAWING!**
****IMPORTANT** FURNISH THIS DRAWING TO ALL CONTRACTORS INCLUDING THE INSTALLERS**
 Trusses require extreme care in fabricating, handling, shipping, installing and bracing. Refer to and follow the latest edition of BCSI (Building Component Safety Information, by TPI and SBCA) for safety practices prior to performing these functions. Installers shall provide temporary bracing per BCSI. Unless noted otherwise, top chord shall have properly attached structural sheathing and bottom chord shall have a properly attached rigid ceiling. Locations shown for permanent lateral restraint of webs shall have continuous lateral restraint (CLR), installed with diagonal bracing installed on the CLR per BCSI sections B3, B7, or B10, as applicable. Apply plates to each face of truss and position as shown above and on the Joint Details, unless noted otherwise. Refer to drawings 160A-Z for standard plate positions. Refer to job's General Notes page for additional information.
 Alpine, a division of ITW Building Components Group Inc. shall not be responsible for any deviation from this drawing, any failure to build the truss in conformance with ANSI/TPI 1, or for handling, shipping, installation and bracing of trusses. A seal on this drawing or cover page listing this drawing, indicates acceptance of professional engineering responsibility solely for the design shown. The suitability and use of this drawing for any structure is the responsibility of the Building Designer per ANSI/TPI 1 Sec.2.
 For more information see these web sites: Alpine: alpineitw.com; TPI: tpinst.org; SBCA: sbccomponents.com; ICC: iccsafe.org; AWC: awc.org



SEQN: 725936 FROM: RFG	SY42 Ply: 1 Qty: 1	Job Number: 25-2668B THOMAS RESIDENCE Truss Label: F3AE	Cust: R215 JRef: 1YHK2150006 T32 DrwNo: 043.26.1033.39610 GA / WHK 02/12/2026
---------------------------	--------------------------	---------------------------------------------------------------	-------------------------------------------------------------------------------------



Loading Criteria (psf) TCELL: 40.00 TCDL: 10.00 BCLL: 0.00 BCDL: 5.00 Des Ld: 55.00 NCBCLL: 10.00 Soffit: 2.00 Load Duration: 1.00 Spacing: 24.0 "	Wind Criteria Wind Std: NA Speed: NA mph Enclosure: NA Category: NA EXP: NA Kzt: NA Mean Height: NA ft TCDL: NA psf BCDL: NA psf MWFRS Parallel Dist: NA C&C Dist a: NA Loc. from endwall: NA I: NA GCpi: NA Wind Duration: NA	Snow Criteria (Pg,Pf in PSF) Pg: NA Ct: NA CAT: NA Pf: NA Ce: NA Lu: NA Cs: NA Snow Duration: NA Building Code: FBC 8th Ed. 2023 Res. TPI Std: 2014 Rep Fac: Yes FT/RT:20(0)/10(0) Plate Type(s): WAVE	Defl/CSI Criteria PP Deflection in loc L/defl L/# VERT(LL): 0.000 K 999 480 VERT(CL): 0.000 K 999 360 HORZ(LL): -0.000 W - - HORZ(TL): 0.000 W - - Creep Factor: 2.0 Max TC CSI: 0.087 Max BC CSI: 0.019 Max Web CSI: 0.032 VIEW Ver: 24.02.00D.0114.10	▲ Maximum Reactions (lbs), or *=PLF <table border="1"> <thead> <tr> <th rowspan="2">Loc</th> <th colspan="3">Gravity</th> <th colspan="3">Non-Gravity</th> </tr> <tr> <th>R+</th> <th>/R-</th> <th>/Rh</th> <th>/Rw</th> <th>/U</th> <th>/RL</th> </tr> </thead> <tbody> <tr> <td>M*</td> <td>108</td> <td>-</td> <td>-</td> <td>/40</td> <td>/4</td> <td>-</td> </tr> <tr> <td>M</td> <td colspan="6">Brg Wid = 151 Min Req = -</td> </tr> </tbody> </table> Bearing W is a rigid surface. Members not listed have forces less than 375#	Loc	Gravity			Non-Gravity			R+	/R-	/Rh	/Rw	/U	/RL	M*	108	-	-	/40	/4	-	M	Brg Wid = 151 Min Req = -					
Loc	Gravity			Non-Gravity																											
	R+	/R-	/Rh	/Rw	/U	/RL																									
M*	108	-	-	/40	/4	-																									
M	Brg Wid = 151 Min Req = -																														

Lumber

Top chord: 4x2 SP #2;
 Bot chord: 4x2 SP #2;
 Webs: 4x2 SP #3;

Bracing

Sheathing is required for any longitudinal(drag) forces. All connections to be designed by the building designer.
 Fasten rated sheathing to one face of this frame.

Plating Notes

All plates are 1.5X3 except as noted.

Wind

End verticals not exposed to wind pressure.

Additional Notes

See detail STRBRIBR1014 for bracing and bridging recommendations.
 Truss must be installed as shown with top chord up.
 The overall height of this truss excluding overhang is 1-6-0.

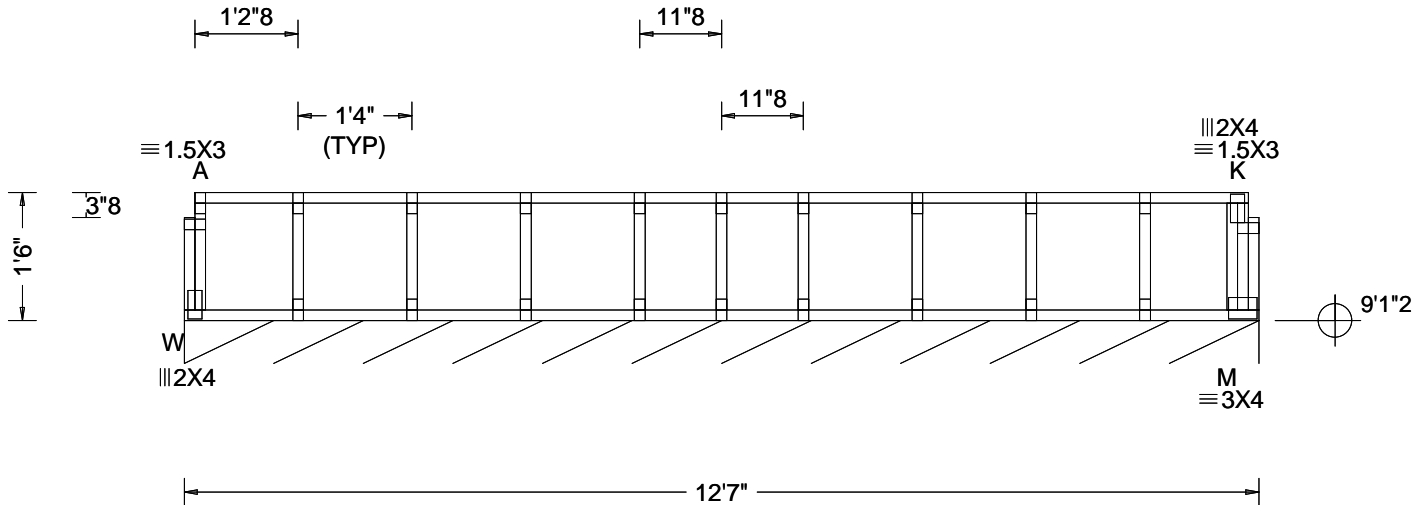


COA #0278

02/12/2026
 Florida Certificate of Product Approval #FL 1999

****WARNING** READ AND FOLLOW ALL NOTES ON THIS DRAWING!**
****IMPORTANT** FURNISH THIS DRAWING TO ALL CONTRACTORS INCLUDING THE INSTALLERS**
 Trusses require extreme care in fabricating, handling, shipping, installing and bracing. Refer to and follow the latest edition of BCSI (Building Component Safety Information, by TPI and SBCA) for safety practices prior to performing these functions. Installers shall provide temporary bracing per BCSI. Unless noted otherwise, top chord shall have properly attached structural sheathing and bottom chord shall have a properly attached rigid ceiling. Locations shown for permanent lateral restraint of webs shall have continuous lateral restraint (CLR), installed with diagonal bracing installed on the CLR per BCSI sections B3, B7, or B10, as applicable. Apply plates to each face of truss and position as shown above and on the Joint Details, unless noted otherwise. Refer to drawings 160A-Z for standard plate positions. Refer to job's General Notes page for additional information.
 Alpine, a division of ITW Building Components Group Inc. shall not be responsible for any deviation from this drawing, any failure to build the truss in conformance with ANSI/TPI 1, or for handling, shipping, installation and bracing of trusses. A seal on this drawing or cover page listing this drawing, indicates acceptance of professional engineering responsibility solely for the design shown. The suitability and use of this drawing for any structure is the responsibility of the Building Designer per ANSI/TPI 1 Sec.2.
 For more information see these web sites: Alpine: alpineitw.com; TPI: tpinst.org; SBCA: sbccomponents.com; ICC: iccsafe.org; AWC: awc.org





Loading Criteria (psf)	Wind Criteria	Snow Criteria (Pg, Pf in PSF)	Defl/CSI Criteria	▲ Maximum Reactions (lbs), or *=PLF						
				Gravity			Non-Gravity			
TCLL: 40.00	Wind Std: NA	Pg: NA Ct: NA CAT: NA	PP Deflection in loc L/defl L/#	Loc	R+	/R-	/Rh	/Rw	/U	/RL
TCDL: 10.00	Speed: NA mph	Pf: NA Ce: NA	VERT(LL): 0.000 K 999 480	M*	108	/-	/-	/40	/4	/-
BCLL: 0.00	Enclosure: NA	Lu: NA Cs: NA	VERT(CL): 0.000 K 999 360	M	Brg Wid = 150	Min Req = -				
BCDL: 5.00	Category: NA	Snow Duration: NA	HORZ(LL): 0.002 K - -	Bearing W is a rigid surface.						
Des Ld: 55.00	EXP: NA Kzt: NA	Building Code:	HORZ(TL): 0.003 K - -	Members not listed have forces less than 375#						
NCBCLL: 10.00	Mean Height: NA ft	FBC 8th Ed. 2023 Res.	Creep Factor: 2.0							
Soffit: 2.00	TCDL: NA psf	TPI Std: 2014	Max TC CSI: 0.087							
Load Duration: 1.00	BCDL: NA psf	Rep Fac: Yes	Max BC CSI: 0.019							
Spacing: 24.0 "	MWFRS Parallel Dist: NA	FT/RT:20(0)/10(0)	Max Web CSI: 0.032							
	C&C Dist a: NA	Plate Type(s):	VIEW Ver: 24.02.00D.0114.10							
	Loc. from endwall: NA	WAVE								
	I: NA GCpi: NA									
	Wind Duration: NA									

Lumber

Top chord: 4x2 SP #2;
Bot chord: 4x2 SP #2;
Webs: 4x2 SP #3;

Bracing

Sheathing is required for any longitudinal(drag) forces. All connections to be designed by the building designer.
Fasten rated sheathing to one face of this frame.

Plating Notes

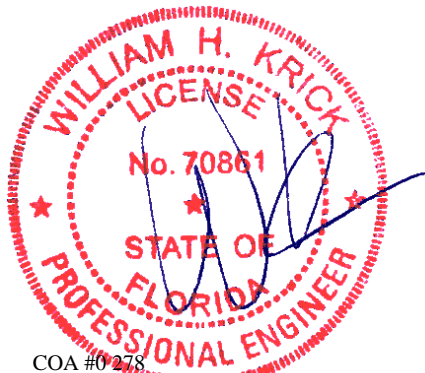
All plates are 1.5X3 except as noted.

Wind

End verticals not exposed to wind pressure.

Additional Notes

See detail STRBRIBR1014 for bracing and bridging recommendations.
Truss must be installed as shown with top chord up.
The overall height of this truss excluding overhang is 1-6-0.



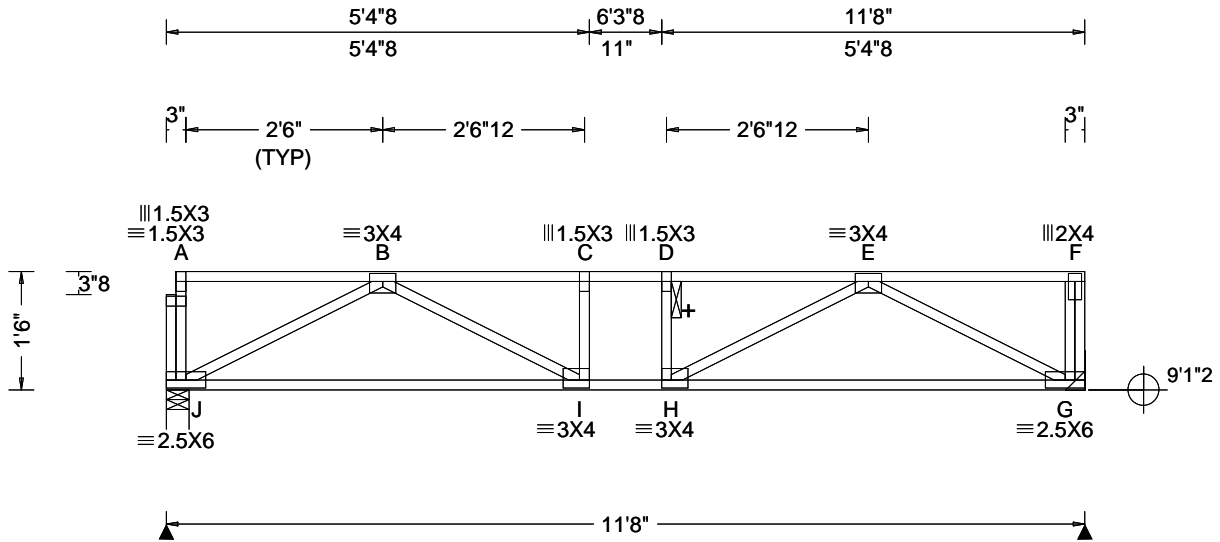
COA #0278

02/12/2026
Florida Certificate of Product Approval #FL 1999

****WARNING** READ AND FOLLOW ALL NOTES ON THIS DRAWING!**
****IMPORTANT** FURNISH THIS DRAWING TO ALL CONTRACTORS INCLUDING THE INSTALLERS**
Trusses require extreme care in fabricating, handling, shipping, installing and bracing. Refer to and follow the latest edition of BCSI (Building Component Safety Information, by TPI and SBCA) for safety practices prior to performing these functions. Installers shall provide temporary bracing per BCSI. Unless noted otherwise, top chord shall have properly attached structural sheathing and bottom chord shall have a properly attached rigid ceiling. Locations shown for permanent lateral restraint of webs shall have continuous lateral restraint (CLR), installed with diagonal bracing installed on the CLR per BCSI sections B3, B7, or B10, as applicable. Apply plates to each face of truss and position as shown above and on the Joint Details, unless noted otherwise. Refer to drawings 160A-Z for standard plate positions. Refer to job's General Notes page for additional information.
Alpine, a division of ITW Building Components Group Inc. shall not be responsible for any deviation from this drawing, any failure to build the truss in conformance with ANSI/TPI 1, or for handling, shipping, installation and bracing of trusses. A seal on this drawing or cover page listing this drawing, indicates acceptance of professional engineering responsibility solely for the design shown. The suitability and use of this drawing for any structure is the responsibility of the Building Designer per ANSI/TPI 1 Sec.2.
For more information see these web sites: Alpine: alpineitw.com; TPI: tpinst.org; SBCA: sbccomponents.com; ICC: iccsafe.org; AWC: awc.org



SEQN: 725803 FROM: RFG	SY42 Qty: 9	Ply: 1	Job Number: 25-2668B THOMAS RESIDENCE Truss Label: F4	Cust: R215 JRRef: 1YHK2150006 T20 DrwNo: 043.26.1033.49527 GA / WHK 02/12/2026
---------------------------	----------------	--------	-------------------------------------------------------------	--------------------------------------------------------------------------------------



Loading Criteria (psf) TCCL: 40.00 TCCL: 10.00 BCCL: 0.00 BCDL: 5.00 Des Ld: 55.00 NCBCCL: 10.00 Soffit: 2.00 Load Duration: 1.00 Spacing: 24.0 "	Wind Criteria Wind Std: NA Speed: NA mph Enclosure: NA Category: NA EXP: NA Kzt: NA Mean Height: NA ft TCCL: NA psf BCDL: NA psf MWFRS Parallel Dist: NA C&C Dist a: NA Loc. from endwall: NA I: NA GCpi: NA Wind Duration: NA	Snow Criteria (Pg,Pf in PSF) Pg: NA Ct: NA CAT: NA Pf: NA Ce: NA Lu: NA Cs: NA Snow Duration: NA Building Code: FBC 8th Ed. 2023 Res. TPI Std: 2014 Rep Fac: Yes FT/RT:12(0)/10(0) Plate Type(s): WAVE	Defl/CSI Criteria PP Deflection in loc L/defl L/# VERT(LL): 0.077 C 999 480 VERT(CL): 0.101 C 999 360 HORZ(LL): 0.013 G - - HORZ(TL): 0.018 B - - Creep Factor: 2.0 Max TC CSI: 0.515 Max BC CSI: 0.491 Max Web CSI: 0.294 VIEW Ver: 24.02.00D.0114.10	▲ Maximum Reactions (lbs) <table border="1"> <thead> <tr> <th rowspan="2">Loc</th> <th colspan="3">Gravity</th> <th colspan="3">Non-Gravity</th> </tr> <tr> <th>R+</th> <th>/R-</th> <th>/Rh</th> <th>/Rw</th> <th>/U</th> <th>/RL</th> </tr> </thead> <tbody> <tr> <td>J</td> <td>625</td> <td>-</td> <td>-</td> <td>-</td> <td>-</td> <td>-</td> </tr> <tr> <td>G</td> <td>645</td> <td>-</td> <td>-</td> <td>-</td> <td>-</td> <td>-</td> </tr> <tr> <td>J</td> <td colspan="6">Brg Wid = 3.5 Min Req = 1.5 (Truss)</td> </tr> <tr> <td>G</td> <td colspan="6">Brg Wid = - Min Req = -</td> </tr> </tbody> </table> Bearing J is a rigid surface. Members not listed have forces less than 375# Maximum Top Chord Forces Per Ply (lbs) <table border="1"> <thead> <tr> <th>Chords</th> <th>Tens.Comp.</th> <th>Chords</th> <th>Tens. Comp.</th> </tr> </thead> <tbody> <tr> <td>B - C</td> <td>0 - 1272</td> <td>D - E</td> <td>0 - 1272</td> </tr> <tr> <td>C - D</td> <td>0 - 1280</td> <td></td> <td></td> </tr> </tbody> </table> Maximum Bot Chord Forces Per Ply (lbs) <table border="1"> <thead> <tr> <th>Chords</th> <th>Tens.Comp.</th> <th>Chords</th> <th>Tens. Comp.</th> </tr> </thead> <tbody> <tr> <td>J - I</td> <td>920 0</td> <td>H - G</td> <td>902 0</td> </tr> <tr> <td>I - H</td> <td>1280 0</td> <td></td> <td></td> </tr> </tbody> </table> Maximum Web Forces Per Ply (lbs) <table border="1"> <thead> <tr> <th>Webs</th> <th>Tens.Comp.</th> <th>Webs</th> <th>Tens. Comp.</th> </tr> </thead> <tbody> <tr> <td>J - B</td> <td>0 - 1044</td> <td>H - E</td> <td>469 0</td> </tr> <tr> <td>B - I</td> <td>457 0</td> <td>E - G</td> <td>0 - 1032</td> </tr> </tbody> </table>	Loc	Gravity			Non-Gravity			R+	/R-	/Rh	/Rw	/U	/RL	J	625	-	-	-	-	-	G	645	-	-	-	-	-	J	Brg Wid = 3.5 Min Req = 1.5 (Truss)						G	Brg Wid = - Min Req = -						Chords	Tens.Comp.	Chords	Tens. Comp.	B - C	0 - 1272	D - E	0 - 1272	C - D	0 - 1280			Chords	Tens.Comp.	Chords	Tens. Comp.	J - I	920 0	H - G	902 0	I - H	1280 0			Webs	Tens.Comp.	Webs	Tens. Comp.	J - B	0 - 1044	H - E	469 0	B - I	457 0	E - G	0 - 1032
Loc	Gravity			Non-Gravity																																																																													
	R+	/R-	/Rh	/Rw	/U	/RL																																																																											
J	625	-	-	-	-	-																																																																											
G	645	-	-	-	-	-																																																																											
J	Brg Wid = 3.5 Min Req = 1.5 (Truss)																																																																																
G	Brg Wid = - Min Req = -																																																																																
Chords	Tens.Comp.	Chords	Tens. Comp.																																																																														
B - C	0 - 1272	D - E	0 - 1272																																																																														
C - D	0 - 1280																																																																																
Chords	Tens.Comp.	Chords	Tens. Comp.																																																																														
J - I	920 0	H - G	902 0																																																																														
I - H	1280 0																																																																																
Webs	Tens.Comp.	Webs	Tens. Comp.																																																																														
J - B	0 - 1044	H - E	469 0																																																																														
B - I	457 0	E - G	0 - 1032																																																																														

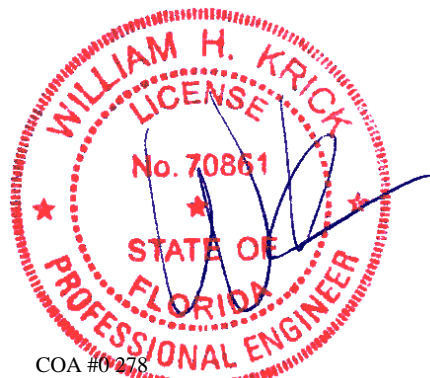
Lumber

Top chord: 4x2 SP #2;
 Bot chord: 4x2 SP #2;
 Webs: 4x2 SP #3;

Additional Notes

+ 2x6 continuous strongback. See detail STRBRIBR1014 for bracing and bridging recommendations.

Truss must be installed as shown with top chord up.
 The overall height of this truss excluding overhang is 1-6-0.



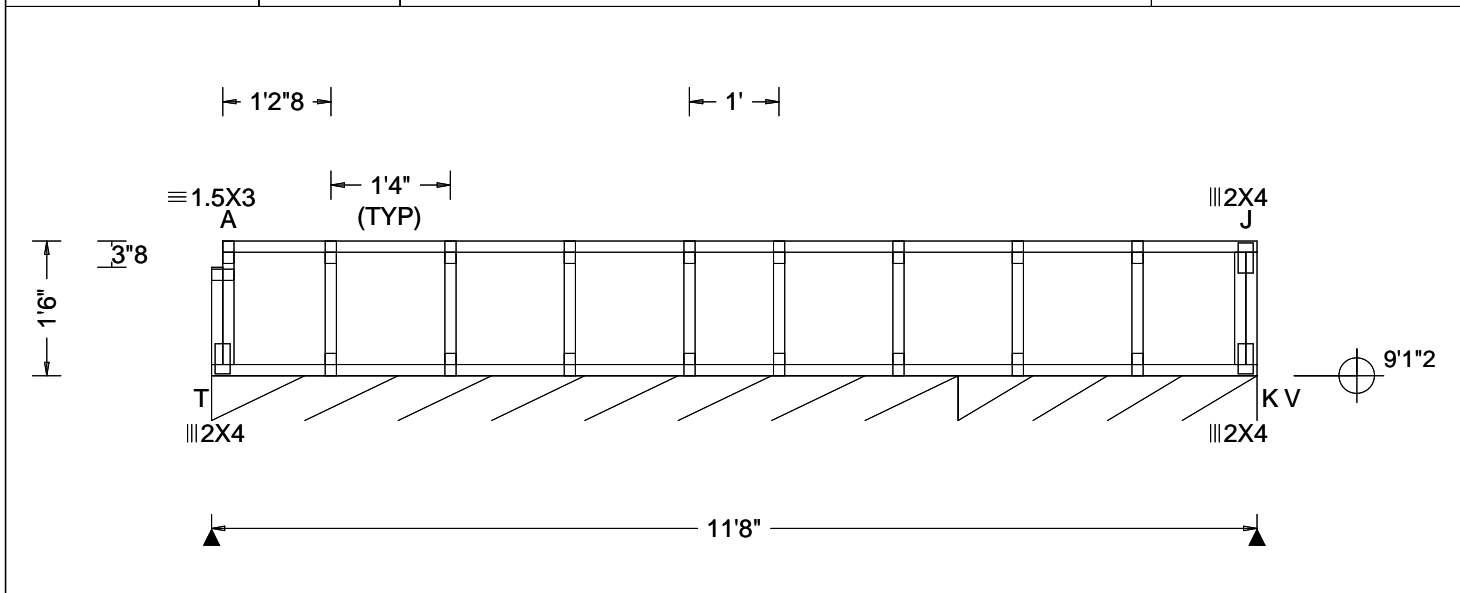
COA #0218

Florida Certificate of Product Approval #FL 1999

****WARNING** READ AND FOLLOW ALL NOTES ON THIS DRAWING!**
****IMPORTANT** FURNISH THIS DRAWING TO ALL CONTRACTORS INCLUDING THE INSTALLERS**
 Trusses require extreme care in fabricating, handling, shipping, installing and bracing. Refer to and follow the latest edition of BCSI (Building Component Safety Information, by TPI and SBCA) for safety practices prior to performing these functions. Installers shall provide temporary bracing per BCSI. Unless noted otherwise, top chord shall have properly attached structural sheathing and bottom chord shall have a properly attached rigid ceiling. Locations shown for permanent lateral restraint of webs shall have continuous lateral restraint (CLR), installed with diagonal bracing installed on the CLR per BCSI sections B3, B7, or B10, as applicable. Apply plates to each face of truss and position as shown above and on the Joint Details, unless noted otherwise. Refer to drawings 160A-Z for standard plate positions. Refer to job's General Notes page for additional information.
 Alpine, a division of ITW Building Components Group Inc. shall not be responsible for any deviation from this drawing, any failure to build the truss in conformance with ANSI/TPI 1, or for handling, shipping, installation and bracing of trusses. A seal on this drawing or cover page listing this drawing, indicates acceptance of professional engineering responsibility solely for the design shown. The suitability and use of this drawing for any structure is the responsibility of the Building Designer per ANSI/TPI 1 Sec.2.
 For more information see these web sites: Alpine: alpineitw.com; TPI: tpinst.org; SBCA: sbccomponents.com; ICC: iccsafe.org; AWC: awc.org



SEQN: 725805 FROM: RFG	SY42 Ply: 1 Qty: 1	Job Number: 25-2668B THOMAS RESIDENCE Truss Label: F4E	Cust: R215 JRRef: 1YHK2150006 T9 DrwNo: 043.26.1033.53630 GA / WHK 02/12/2026
---------------------------	--------------------------	--------------------------------------------------------------	-------------------------------------------------------------------------------------



Loading Criteria (psf) TCLL: 40.00 TCDL: 10.00 BCLL: 0.00 BCDL: 5.00 Des Ld: 55.00 NCBCLL: 10.00 Soffit: 2.00 Load Duration: 1.00 Spacing: 24.0 "	Wind Criteria Wind Std: NA Speed: NA mph Enclosure: NA Category: NA EXP: NA Kzt: NA Mean Height: NA ft TCDL: NA psf BCDL: NA psf MWFRS Parallel Dist: NA C&C Dist a: NA Loc. from endwall: NA I: NA GCpi: NA Wind Duration: NA	Snow Criteria (Pg,Pf in PSF) Pg: NA Ct: NA CAT: NA Pf: NA Ce: NA Lu: NA Cs: NA Snow Duration: NA Building Code: FBC 8th Ed. 2023 Res. TPI Std: 2014 Rep Fac: Yes FT/RT:20(0)/10(0) Plate Type(s): WAVE	Defl/CSI Criteria PP Deflection in loc L/defl L/# VERT(LL): 0.000 J 999 480 VERT(CL): 0.001 J 999 360 HORZ(LL): 0.003 J - - HORZ(TL): 0.004 J - - Creep Factor: 2.0 Max TC CSI: 0.087 Max BC CSI: 0.019 Max Web CSI: 0.032 VIEW Ver: 24.02.00D.0114.10	▲ Maximum Reactions (lbs), or *=PLF Gravity Non-Gravity Loc R+ /R- /Rh /Rw /U /RL T* 109 /- /- /- /- /- V* 110 /- /- /- /- /- T Brg Wid = 100 Min Req = - V Brg Wid = 40.0 Min Req = - Bearings T & M are a rigid surface. Members not listed have forces less than 375#
-------------------------------------------------------------------------------------------------------------------------------------------------------------------------------------	------------------------------------------------------------------------------------------------------------------------------------------------------------------------------------------------------------------------------------------------------------------------------	----------------------------------------------------------------------------------------------------------------------------------------------------------------------------------------------------------------------------------------------------	-------------------------------------------------------------------------------------------------------------------------------------------------------------------------------------------------------------------------------------------------------------------------------------------------	---------------------------------------------------------------------------------------------------------------------------------------------------------------------------------------------------------------------------------------------------------------------------------------------------------

Lumber

Top chord: 4x2 SP #2;
Bot chord: 4x2 SP #2;
Webs: 4x2 SP #3;

Bracing

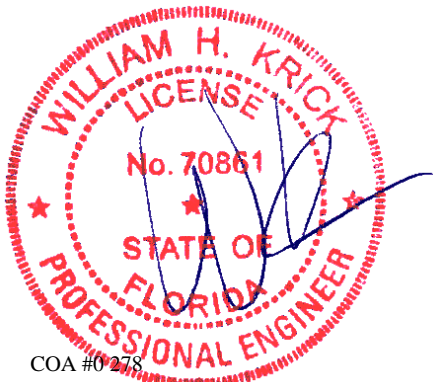
Sheathing is required for any longitudinal(drag) forces. All connections to be designed by the building designer.
Fasten rated sheathing to one face of this frame.

Plating Notes

All plates are 1.5X3 except as noted.

Additional Notes

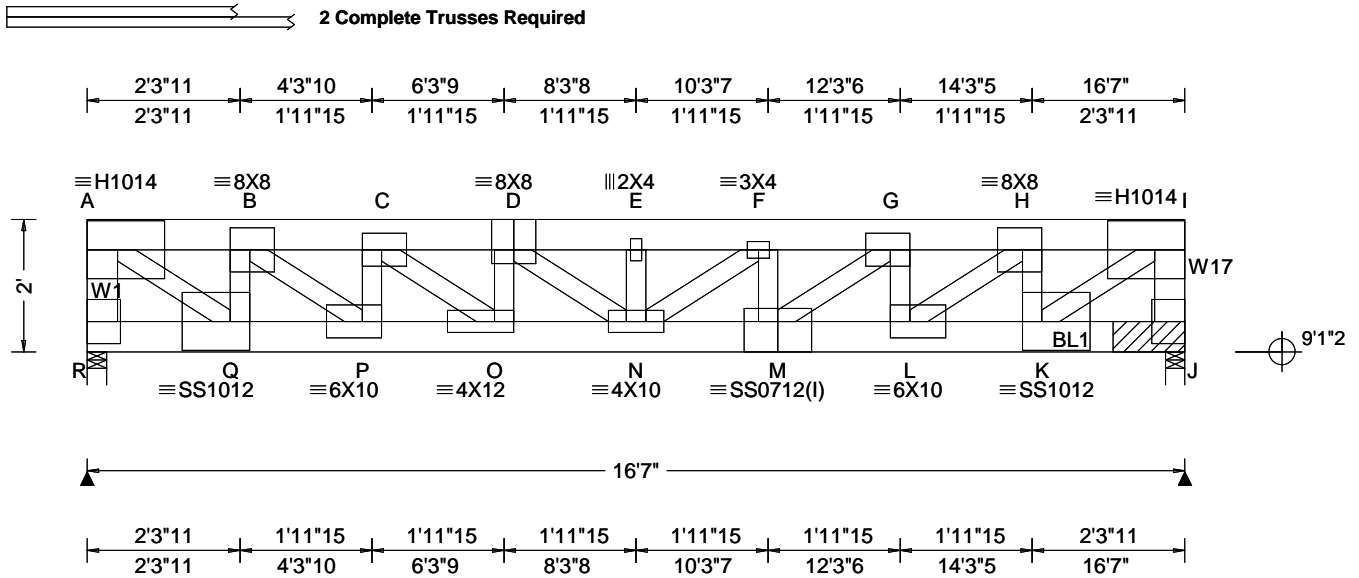
See detail STRBRIBR1014 for bracing and bridging recommendations.
Truss must be installed as shown with top chord up.
The overall height of this truss excluding overhang is 1-6-0.



COA #0278
02/12/2026
Florida Certificate of Product Approval #FL 1999

****WARNING** READ AND FOLLOW ALL NOTES ON THIS DRAWING!**
****IMPORTANT** FURNISH THIS DRAWING TO ALL CONTRACTORS INCLUDING THE INSTALLERS**
Trusses require extreme care in fabricating, handling, shipping, installing and bracing. Refer to and follow the latest edition of BCSI (Building Component Safety Information, by TPI and SBCA) for safety practices prior to performing these functions. Installers shall provide temporary bracing per BCSI. Unless noted otherwise, top chord shall have properly attached structural sheathing and bottom chord shall have a properly attached rigid ceiling. Locations shown for permanent lateral restraint of webs shall have continuous lateral restraint (CLR), installed with diagonal bracing installed on the CLR per BCSI sections B3, B7, or B10, as applicable. Apply plates to each face of truss and position as shown above and on the Joint Details, unless noted otherwise. Refer to drawings 160A-Z for standard plate positions. Refer to job's General Notes page for additional information.
Alpine, a division of ITW Building Components Group Inc. shall not be responsible for any deviation from this drawing, any failure to build the truss in conformance with ANSI/TPI 1, or for handling, shipping, installation and bracing of trusses. A seal on this drawing or cover page listing this drawing, indicates acceptance of professional engineering responsibility solely for the design shown. The suitability and use of this drawing for any structure is the responsibility of the Building Designer per ANSI/TPI 1 Sec.2.
For more information see these web sites: Alpine: alpineitw.com; TPI: tpinst.org; SBCA: sbccomponents.com; ICC: iccsafe.org; AWC: awc.org





Loading Criteria (psf) TCCL: 40.00 TCCL: 10.00 BCLL: 0.00 BCDL: 5.00 Des Ld: 55.00 NCBCLL: 10.00 Soffit: 2.00 Load Duration: 1.00 Spacing: 24.0 "	Wind Criteria Wind Std: NA Speed: NA mph Enclosure: NA Category: NA EXP: NA Kzt: NA Mean Height: NA ft TCCL: NA psf BCDL: NA psf MWFRS Parallel Dist: NA C&C Dist a: NA Loc. from endwall: NA I: NA GCpi: NA Wind Duration: NA	Snow Criteria (Pg,Pf in PSF) Pg: NA Ct: NA CAT: NA Pf: NA Ce: NA Lu: NA Cs: NA Snow Duration: NA Building Code: FBC 8th Ed. 2023 Res. TPI Std: 2014 Rep Fac: Varies by Ld Case FT/RT:20(0)/10(0) Plate Type(s): HS, WAVE, 18SS	Defl/CSI Criteria PP Deflection in loc L/defl L/# VERT(LL): 0.412 E 483 480 VERT(CL): 0.423 E 470 360 HORZ(LL): 0.093 A - - HORZ(TL): 0.096 A - - Creep Factor: 2.0 Max TC CSI: 0.790 Max BC CSI: 0.965 Max Web CSI: 0.828 VIEW Ver: 24.02.00D.0114.10	▲ Maximum Reactions (lbs) <table border="1"> <thead> <tr> <th rowspan="2">Loc</th> <th colspan="3">Gravity</th> <th colspan="3">Non-Gravity</th> </tr> <tr> <th>R+</th> <th>/R-</th> <th>/Rh</th> <th>/Rw</th> <th>/U</th> <th>/RL</th> </tr> </thead> <tbody> <tr> <td>R</td> <td>8350</td> <td>-</td> <td>-</td> <td>-</td> <td>-</td> <td>-</td> </tr> <tr> <td>J</td> <td>10034</td> <td>-</td> <td>-</td> <td>-</td> <td>-</td> <td>-</td> </tr> <tr> <td>R</td> <td colspan="6">Brg Wid = 3.5 Min Req = 3.5 (Truss)</td> </tr> <tr> <td>J</td> <td colspan="6">Brg Wid = 3.5 Min Req = -</td> </tr> <tr> <td colspan="7">Bearings R & J are a rigid surface.</td> </tr> <tr> <td colspan="7">Members not listed have forces less than 375#</td> </tr> <tr> <td colspan="7">Maximum Top Chord Forces Per Ply (lbs)</td> </tr> <tr> <td colspan="2">Chords</td> <td colspan="2">Tens.Comp.</td> <td colspan="2">Chords</td> <td colspan="2">Tens. Comp.</td> </tr> <tr> <td>A - B</td> <td>0</td> <td>-5140</td> <td>E - F</td> <td>0</td> <td>-12204</td> <td></td> <td></td> </tr> <tr> <td>B - C</td> <td>0</td> <td>-8749</td> <td>F - G</td> <td>0</td> <td>-11635</td> <td></td> <td></td> </tr> <tr> <td>C - D</td> <td>0</td> <td>-11085</td> <td>G - H</td> <td>0</td> <td>-9483</td> <td></td> <td></td> </tr> <tr> <td>D - E</td> <td>0</td> <td>-12204</td> <td>H - I</td> <td>0</td> <td>-5727</td> <td></td> <td></td> </tr> </tbody> </table>						Loc	Gravity			Non-Gravity			R+	/R-	/Rh	/Rw	/U	/RL	R	8350	-	-	-	-	-	J	10034	-	-	-	-	-	R	Brg Wid = 3.5 Min Req = 3.5 (Truss)						J	Brg Wid = 3.5 Min Req = -						Bearings R & J are a rigid surface.							Members not listed have forces less than 375#							Maximum Top Chord Forces Per Ply (lbs)							Chords		Tens.Comp.		Chords		Tens. Comp.		A - B	0	-5140	E - F	0	-12204			B - C	0	-8749	F - G	0	-11635			C - D	0	-11085	G - H	0	-9483			D - E	0	-12204	H - I	0	-5727		
				Loc	Gravity			Non-Gravity																																																																																																							
R+	/R-	/Rh	/Rw		/U	/RL																																																																																																									
R	8350	-	-	-	-	-																																																																																																									
J	10034	-	-	-	-	-																																																																																																									
R	Brg Wid = 3.5 Min Req = 3.5 (Truss)																																																																																																														
J	Brg Wid = 3.5 Min Req = -																																																																																																														
Bearings R & J are a rigid surface.																																																																																																															
Members not listed have forces less than 375#																																																																																																															
Maximum Top Chord Forces Per Ply (lbs)																																																																																																															
Chords		Tens.Comp.		Chords		Tens. Comp.																																																																																																									
A - B	0	-5140	E - F	0	-12204																																																																																																										
B - C	0	-8749	F - G	0	-11635																																																																																																										
C - D	0	-11085	G - H	0	-9483																																																																																																										
D - E	0	-12204	H - I	0	-5727																																																																																																										
Maximum Bot Chord Forces Per Ply (lbs) <table border="1"> <thead> <tr> <th>Chords</th> <th>Tens.Comp.</th> <th>Chords</th> <th>Tens. Comp.</th> </tr> </thead> <tbody> <tr> <td>Q - P</td> <td>5772</td> <td>0</td> <td>N - M</td> <td>11849</td> <td>0</td> </tr> <tr> <td>P - O</td> <td>9181</td> <td>0</td> <td>M - L</td> <td>9930</td> <td>0</td> </tr> <tr> <td>O - N</td> <td>11333</td> <td>0</td> <td>L - K</td> <td>6430</td> <td>0</td> </tr> </tbody> </table>		Chords	Tens.Comp.	Chords	Tens. Comp.	Q - P	5772	0	N - M	11849	0	P - O	9181	0	M - L	9930	0	O - N	11333	0	L - K	6430	0	Maximum Web Forces Per Ply (lbs) <table border="1"> <thead> <tr> <th>Webs</th> <th>Tens.Comp.</th> <th>Webs</th> <th>Tens. Comp.</th> </tr> </thead> <tbody> <tr> <td>A - R</td> <td>0</td> <td>-4039</td> <td>N - F</td> <td>462</td> <td>0</td> </tr> <tr> <td>A - Q</td> <td>6251</td> <td>0</td> <td>F - M</td> <td>0</td> <td>-1149</td> </tr> <tr> <td>Q - B</td> <td>0</td> <td>-3398</td> <td>M - G</td> <td>2301</td> <td>0</td> </tr> <tr> <td>B - P</td> <td>4016</td> <td>0</td> <td>G - L</td> <td>0</td> <td>-2405</td> </tr> <tr> <td>P - C</td> <td>0</td> <td>-2320</td> <td>L - H</td> <td>4117</td> <td>0</td> </tr> <tr> <td>C - O</td> <td>2568</td> <td>0</td> <td>H - K</td> <td>0</td> <td>-3783</td> </tr> <tr> <td>O - D</td> <td>0</td> <td>-1335</td> <td>K - I</td> <td>6956</td> <td>0</td> </tr> <tr> <td>D - N</td> <td>1134</td> <td>0</td> <td>I - J</td> <td>0</td> <td>-4603</td> </tr> <tr> <td>E - N</td> <td>0</td> <td>-633</td> <td></td> <td></td> <td></td> </tr> </tbody> </table>		Webs	Tens.Comp.	Webs	Tens. Comp.	A - R	0	-4039	N - F	462	0	A - Q	6251	0	F - M	0	-1149	Q - B	0	-3398	M - G	2301	0	B - P	4016	0	G - L	0	-2405	P - C	0	-2320	L - H	4117	0	C - O	2568	0	H - K	0	-3783	O - D	0	-1335	K - I	6956	0	D - N	1134	0	I - J	0	-4603	E - N	0	-633																															
Chords	Tens.Comp.	Chords	Tens. Comp.																																																																																																												
Q - P	5772	0	N - M	11849	0																																																																																																										
P - O	9181	0	M - L	9930	0																																																																																																										
O - N	11333	0	L - K	6430	0																																																																																																										
Webs	Tens.Comp.	Webs	Tens. Comp.																																																																																																												
A - R	0	-4039	N - F	462	0																																																																																																										
A - Q	6251	0	F - M	0	-1149																																																																																																										
Q - B	0	-3398	M - G	2301	0																																																																																																										
B - P	4016	0	G - L	0	-2405																																																																																																										
P - C	0	-2320	L - H	4117	0																																																																																																										
C - O	2568	0	H - K	0	-3783																																																																																																										
O - D	0	-1335	K - I	6956	0																																																																																																										
D - N	1134	0	I - J	0	-4603																																																																																																										
E - N	0	-633																																																																																																													

Lumber
 Top chord: 2x6 SP 2400f-2.0E;
 Bot chord: 2x6 SP 2400f-2.0E;
 Webs: 2x4 SP M-31; W1,W17 2x6 SP #2;

Nailnote
 Nail Schedule: 0.128"x3", min. nails
 Top Chord: 2 Rows @ 5.50" o.c. (Each Row)
 Bot Chord: 1 Row @ 3.25" o.c.
 Webs : 1 Row @ 4" o.c.
 Use equal spacing between rows and stagger nails in each row to avoid splitting.

Special Loads
 -----(Lumber Dur.Fac.=1.00 / Plate Dur.Fac.=1.00)
 TC: From 586 plf at 0.00 to 586 plf at 8.00
 TC: From 851 plf at 8.00 to 851 plf at 16.58
 BC: From 5 plf at 0.00 to 5 plf at 16.58
 BC: 789 lb Conc. Load at 2.06, 4.06, 6.06, 8.06, 10.06, 12.06, 14.06, 16.06

Bearing Block(s)
 Brg blocks: 0.128"x3", min. nails
 brg x-loc #blocks length/blk #nails/blk wall plate
 2 16.292' 1 13" 16 Rigid Surface
 Brg block to be same size and species as chord.
 Refer to drawing CNNAILSP1014 for more information.

Additional Notes
 Truss must be installed as shown with top chord up.
 The overall height of this truss excluding overhang is 2-0-0.

Plating Notes
 All plates are 6X8 except as noted.
 (I) - plates so marked were sized using 0% Fabrication Tolerance, 0 degrees Rotational Tolerance, and/or zero Positioning Tolerance.

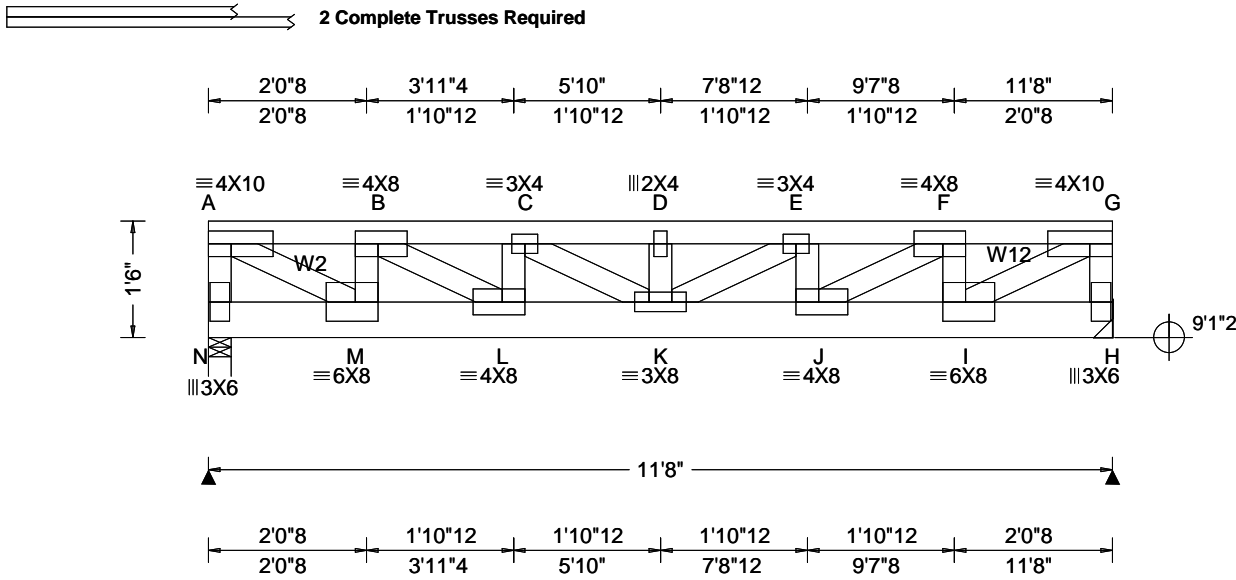
Purlins
 The TC of this truss shall be braced with attached spans at 24" oc in lieu of structural sheathing.



COA #0278
 02/12/2026
 Florida Certificate of Product Approval #FL 1999

****WARNING** READ AND FOLLOW ALL NOTES ON THIS DRAWING!**
****IMPORTANT** FURNISH THIS DRAWING TO ALL CONTRACTORS INCLUDING THE INSTALLERS**
 Trusses require extreme care in fabricating, handling, shipping, installing and bracing. Refer to and follow the latest edition of BCSI (Building Component Safety Information, by TPI and SBCA) for safety practices prior to performing these functions. Installers shall provide temporary bracing per BCSI. Unless noted otherwise, top chord shall have properly attached structural sheathing and bottom chord shall have a properly attached rigid ceiling. Locations shown for permanent lateral restraint of webs shall have continuous lateral restraint (CLR), installed with diagonal bracing installed on the CLR per BCSI sections B3, B7, or B10, as applicable. Apply plates to each face of truss and position as shown above and on the Joint Details, unless noted otherwise. Refer to drawings 160A-Z for standard plate positions. Refer to job's General Notes page for additional information.
 Alpine, a division of ITW Building Components Group Inc. shall not be responsible for any deviation from this drawing, any failure to build the truss in conformance with ANSI/TPI 1, or for handling, shipping, installation and bracing of trusses. A seal on this drawing or cover page listing this drawing, indicates acceptance of professional engineering responsibility solely for the design shown. The suitability and use of this drawing for any structure is the responsibility of the Building Designer per ANSI/TPI 1 Sec.2.
 For more information see these web sites: Alpine: alpineitw.com; TPI: tpinst.org; SBCA: sbcacomponents.com; ICC: iccsafe.org; AWC: awc.org





Loading Criteria (psf) TCCL: 40.00 TCCL: 10.00 BCCL: 0.00 BCDL: 5.00 Des Ld: 55.00 NCBCLL: 10.00 Soffit: 2.00 Load Duration: 1.00 Spacing: 24.0 "	Wind Criteria Wind Std: NA Speed: NA mph Enclosure: NA Category: NA EXP: NA Kzt: NA Mean Height: NA ft TCCL: NA psf BCDL: NA psf MWFRS Parallel Dist: NA C&C Dist a: NA Loc. from endwall: NA I: NA GCpi: NA Wind Duration: NA	Snow Criteria (Pg,Pf in PSF) Pg: NA Ct: NA CAT: NA Pf: NA Ce: NA Lu: NA Cs: NA Snow Duration: NA Building Code: FBC 8th Ed. 2023 Res. TPI Std: 2014 Rep Fac: Varies by Ld Case FT/RT:20(0)/10(0) Plate Type(s): WAVE	Defl/CSI Criteria PP Deflection in loc L/defl L/# VERT(LL): 0.116 D 999 480 VERT(CL): 0.203 D 688 360 HORZ(LL): 0.026 A - - HORZ(TL): 0.046 A - - Creep Factor: 2.0 Max TC CSI: 0.430 Max BC CSI: 0.569 Max Web CSI: 0.929 VIEW Ver: 24.02.00D.0114.10	▲ Maximum Reactions (lbs) <table border="1"> <thead> <tr> <th rowspan="2">Loc</th> <th colspan="3">Gravity</th> <th colspan="3">Non-Gravity</th> </tr> <tr> <th>R+</th> <th>/R-</th> <th>/Rh</th> <th>/Rw</th> <th>/U</th> <th>/RL</th> </tr> </thead> <tbody> <tr> <td>N</td> <td>4496</td> <td>-</td> <td>-</td> <td>-</td> <td>-</td> <td>-</td> </tr> <tr> <td>H</td> <td>4700</td> <td>-</td> <td>-</td> <td>-</td> <td>-</td> <td>-</td> </tr> <tr> <td>N</td> <td colspan="6">Brg Wid = 3.5 Min Req = 1.9 (Truss)</td> </tr> <tr> <td>H</td> <td colspan="6">Brg Wid = - Min Req = -</td> </tr> </tbody> </table> Bearing N is a rigid surface. Members not listed have forces less than 375# Maximum Top Chord Forces Per Ply (lbs) <table border="1"> <thead> <tr> <th>Chords</th> <th>Tens.Comp.</th> <th>Chords</th> <th>Tens. Comp.</th> </tr> </thead> <tbody> <tr> <td>A - B</td> <td>0 - 3130</td> <td>D - E</td> <td>0 - 5889</td> </tr> <tr> <td>B - C</td> <td>0 - 5130</td> <td>E - F</td> <td>0 - 5327</td> </tr> <tr> <td>C - D</td> <td>0 - 5889</td> <td>F - G</td> <td>0 - 3264</td> </tr> </tbody> </table>	Loc	Gravity			Non-Gravity			R+	/R-	/Rh	/Rw	/U	/RL	N	4496	-	-	-	-	-	H	4700	-	-	-	-	-	N	Brg Wid = 3.5 Min Req = 1.9 (Truss)						H	Brg Wid = - Min Req = -						Chords	Tens.Comp.	Chords	Tens. Comp.	A - B	0 - 3130	D - E	0 - 5889	B - C	0 - 5130	E - F	0 - 5327	C - D	0 - 5889	F - G	0 - 3264
Loc	Gravity			Non-Gravity																																																									
	R+	/R-	/Rh	/Rw	/U	/RL																																																							
N	4496	-	-	-	-	-																																																							
H	4700	-	-	-	-	-																																																							
N	Brg Wid = 3.5 Min Req = 1.9 (Truss)																																																												
H	Brg Wid = - Min Req = -																																																												
Chords	Tens.Comp.	Chords	Tens. Comp.																																																										
A - B	0 - 3130	D - E	0 - 5889																																																										
B - C	0 - 5130	E - F	0 - 5327																																																										
C - D	0 - 5889	F - G	0 - 3264																																																										

Lumber

Top chord: 2x4 SP M-31;
 Bot chord: 2x6 SP 2400f-2.0E;
 Webs: 2x4 SP #3; W2,W12 2x4 SP M-31;

Nailnote

Nail Schedule: 0.128"x3", min. nails
 Top Chord: 1 Row @ 3.00" o.c.
 Bot Chord: 1 Row @ 7.25" o.c.
 Webs : 1 Row @ 4" o.c.
 Use equal spacing between rows and stagger nails in each row to avoid splitting.

Special Loads

----- (Lumber Dur.Fac.=1.00 / Plate Dur.Fac.=1.00)
 TC: From 586 plf at 0.00 to 586 plf at 7.00
 TC: From 174 plf at 7.00 to 174 plf at 9.00
 TC: From 586 plf at 9.00 to 586 plf at 11.67
 BC: From 5 plf at 0.00 to 5 plf at 11.67
 TC: 1167 lb Conc. Load at 8.00
 BC: 392 lb Conc. Load at 2.06, 4.06, 6.06, 8.06
 10.06

Purlins

The TC of this truss shall be braced with attached spans at 24" oc in lieu of structural sheathing.

Additional Notes

Truss must be installed as shown with top chord up.
 The overall height of this truss excluding overhang is 1'-6".

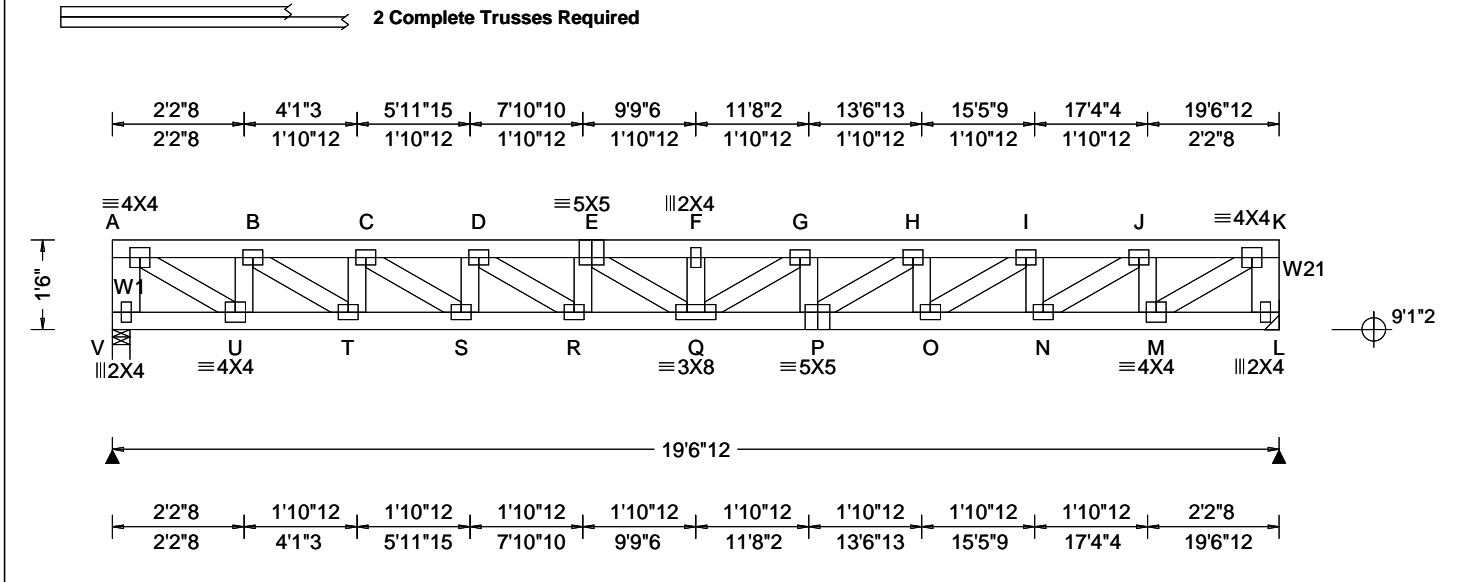


COA #0278

Florida Certificate of Product Approval #FL 1999

****WARNING** READ AND FOLLOW ALL NOTES ON THIS DRAWING!**
****IMPORTANT** FURNISH THIS DRAWING TO ALL CONTRACTORS INCLUDING THE INSTALLERS**
 Trusses require extreme care in fabricating, handling, shipping, installing and bracing. Refer to and follow the latest edition of BCSI (Building Component Safety Information, by TPI and SBCA) for safety practices prior to performing these functions. Installers shall provide temporary bracing per BCSI. Unless noted otherwise, top chord shall have properly attached structural sheathing and bottom chord shall have a properly attached rigid ceiling. Locations shown for permanent lateral restraint of webs shall have continuous lateral restraint (CLR), installed with diagonal bracing installed on the CLR per BCSI sections B3, B7, or B10, as applicable. Apply plates to each face of truss and position as shown above and on the Joint Details, unless noted otherwise. Refer to drawings 160A-Z for standard plate positions. Refer to job's General Notes page for additional information.
 Alpine, a division of ITW Building Components Group Inc. shall not be responsible for any deviation from this drawing, any failure to build the truss in conformance with ANSI/TPI 1, or for handling, shipping, installation and bracing of trusses. A seal on this drawing or cover page listing this drawing, indicates acceptance of professional engineering responsibility solely for the design shown. The suitability and use of this drawing for any structure is the responsibility of the Building Designer per ANSI/TPI 1 Sec.2.
 For more information see these web sites: Alpine: alpineitw.com; TPI: tpinst.org; SBCA: sbccomponents.com; ICC: iccsafe.org; AWC: awc.org





Loading Criteria (psf) TCCL: 40.00 TCCL: 10.00 BCCL: 0.00 BCDL: 5.00 Des Ld: 55.00 NCBCCL: 10.00 Soffit: 2.00 Load Duration: 1.00 Spacing: 24.0 "	Wind Criteria Wind Std: NA Speed: NA mph Enclosure: NA Category: NA EXP: NA Kzt: NA Mean Height: NA ft TCCL: NA psf BCDL: NA psf MWFRS Parallel Dist: NA C&C Dist a: NA Loc. from endwall: NA I: NA GCpi: NA Wind Duration: NA	Snow Criteria (Pg,Pf in PSF) Pg: NA Ct: NA CAT: NA Pf: NA Ce: NA Lu: NA Cs: NA Snow Duration: NA Building Code: FBC 8th Ed. 2023 Res. TPI Std: 2014 Rep Fac: Varies by Ld Case FT/RT:20(0)/10(0) Plate Type(s): WAVE	Defl/CSI Criteria PP Deflection in loc L/defl L/# VERT(LL): 0.184 F 999 480 VERT(CL): 0.321 F 730 360 HORZ(LL): 0.033 A - - HORZ(TL): 0.058 A - - Creep Factor: 2.0 Max TC CSI: 0.261 Max BC CSI: 0.867 Max Web CSI: 0.552 VIEW Ver: 24.02.00D.0114.10	▲ Maximum Reactions (lbs) <table border="1"> <thead> <tr> <th rowspan="2">Loc</th> <th colspan="3">Gravity</th> <th colspan="3">Non-Gravity</th> </tr> <tr> <th>R+</th> <th>/R-</th> <th>/Rh</th> <th>/Rw</th> <th>/U</th> <th>/RL</th> </tr> </thead> <tbody> <tr> <td>V</td> <td>1369</td> <td>-</td> <td>-</td> <td>-</td> <td>-</td> <td>-</td> </tr> <tr> <td>L</td> <td>1368</td> <td>-</td> <td>-</td> <td>-</td> <td>-</td> <td>-</td> </tr> <tr> <td>V</td> <td colspan="6">Brg Wid = 3.5 Min Req = 1.5 (Truss)</td> </tr> <tr> <td>L</td> <td colspan="6">Brg Wid = - Min Req = -</td> </tr> </tbody> </table> Bearing V is a rigid surface. Members not listed have forces less than 375# Maximum Top Chord Forces Per Ply (lbs) <table border="1"> <thead> <tr> <th>Chords</th> <th>Tens.Comp.</th> <th>Chords</th> <th>Tens. Comp.</th> </tr> </thead> <tbody> <tr> <td>A - B</td> <td>0 - 1020</td> <td>F - G</td> <td>0 - 2727</td> </tr> <tr> <td>B - C</td> <td>0 - 1756</td> <td>G - H</td> <td>0 - 2603</td> </tr> <tr> <td>C - D</td> <td>0 - 2280</td> <td>H - I</td> <td>0 - 2279</td> </tr> <tr> <td>D - E</td> <td>0 - 2602</td> <td>I - J</td> <td>0 - 1756</td> </tr> <tr> <td>E - F</td> <td>0 - 2727</td> <td>J - K</td> <td>0 - 1020</td> </tr> </tbody> </table>						Loc	Gravity			Non-Gravity			R+	/R-	/Rh	/Rw	/U	/RL	V	1369	-	-	-	-	-	L	1368	-	-	-	-	-	V	Brg Wid = 3.5 Min Req = 1.5 (Truss)						L	Brg Wid = - Min Req = -						Chords	Tens.Comp.	Chords	Tens. Comp.	A - B	0 - 1020	F - G	0 - 2727	B - C	0 - 1756	G - H	0 - 2603	C - D	0 - 2280	H - I	0 - 2279	D - E	0 - 2602	I - J	0 - 1756	E - F	0 - 2727	J - K	0 - 1020
				Loc	Gravity			Non-Gravity																																																																		
R+	/R-	/Rh	/Rw		/U	/RL																																																																				
V	1369	-	-	-	-	-																																																																				
L	1368	-	-	-	-	-																																																																				
V	Brg Wid = 3.5 Min Req = 1.5 (Truss)																																																																									
L	Brg Wid = - Min Req = -																																																																									
Chords	Tens.Comp.	Chords	Tens. Comp.																																																																							
A - B	0 - 1020	F - G	0 - 2727																																																																							
B - C	0 - 1756	G - H	0 - 2603																																																																							
C - D	0 - 2280	H - I	0 - 2279																																																																							
D - E	0 - 2602	I - J	0 - 1756																																																																							
E - F	0 - 2727	J - K	0 - 1020																																																																							
Lumber Top chord: 2x4 SP #2; Bot chord: 2x4 SP #2; Webs: 2x4 SP #3; W1,W21 2x6 SP #2;				Maximum Bot Chord Forces Per Ply (lbs) <table border="1"> <thead> <tr> <th>Chords</th> <th>Tens.Comp.</th> <th>Chords</th> <th>Tens. Comp.</th> </tr> </thead> <tbody> <tr> <td>U - T</td> <td>1162 0</td> <td>Q - P</td> <td>2646 0</td> </tr> <tr> <td>T - S</td> <td>1861 0</td> <td>P - O</td> <td>2354 0</td> </tr> <tr> <td>S - R</td> <td>2354 0</td> <td>O - N</td> <td>1861 0</td> </tr> <tr> <td>R - Q</td> <td>2645 0</td> <td>N - M</td> <td>1162 0</td> </tr> </tbody> </table>						Chords	Tens.Comp.	Chords	Tens. Comp.	U - T	1162 0	Q - P	2646 0	T - S	1861 0	P - O	2354 0	S - R	2354 0	O - N	1861 0	R - Q	2645 0	N - M	1162 0																																													
Chords	Tens.Comp.	Chords	Tens. Comp.																																																																							
U - T	1162 0	Q - P	2646 0																																																																							
T - S	1861 0	P - O	2354 0																																																																							
S - R	2354 0	O - N	1861 0																																																																							
R - Q	2645 0	N - M	1162 0																																																																							

Nailnote
 Nail Schedule: 0.128"x3", min. nails
 Top Chord: 1 Row @12.00" o.c.
 Bot Chord: 1 Row @12.00" o.c.
 Webs : 1 Row @ 4" o.c.
 Use equal spacing between rows and stagger nails in each row to avoid splitting.

Special Loads
 -----(Lumber Dur.Fac.=1.00 / Plate Dur.Fac.=1.00)
 TC: From 130 plf at 0.00 to 130 plf at 19.50
 TC: From 100 plf at 19.50 to 100 plf at 19.56
 BC: From 10 plf at 0.00 to 10 plf at 19.56

Plating Notes
 All plates are 3X4 except as noted.

Purlins
 The TC of this truss shall be braced with attached spans at 24" oc in lieu of structural sheathing.

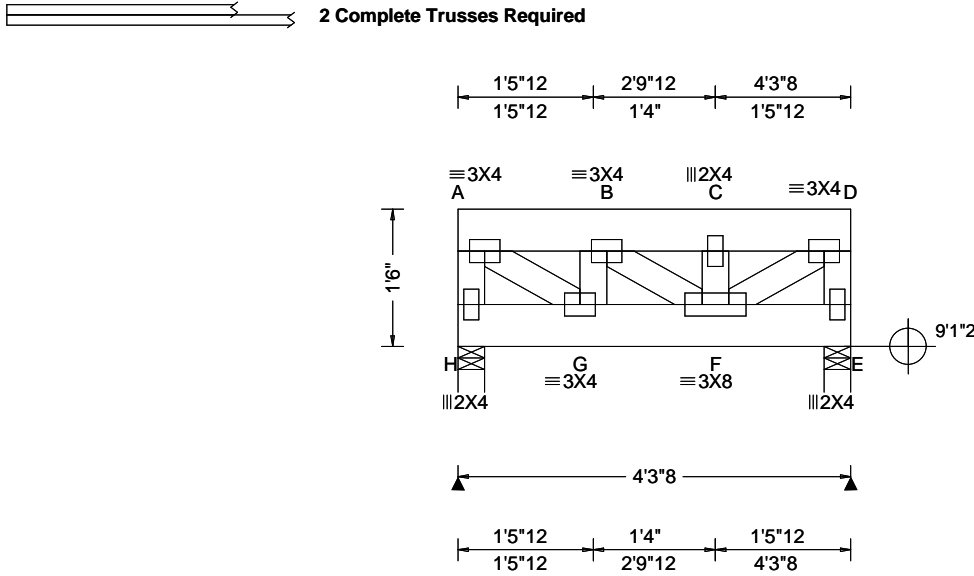
Additional Notes
 Truss must be installed as shown with top chord up.
 The overall height of this truss excluding overhang is 1'-6-0.



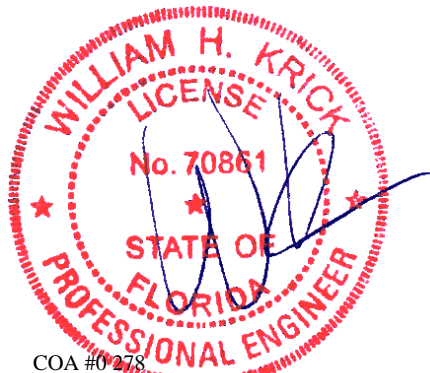
COA #0278
 02/12/2026
 Florida Certificate of Product Approval #FL 1999

****WARNING** READ AND FOLLOW ALL NOTES ON THIS DRAWING!**
****IMPORTANT** FURNISH THIS DRAWING TO ALL CONTRACTORS INCLUDING THE INSTALLERS**
 Trusses require extreme care in fabricating, handling, shipping, installing and bracing. Refer to and follow the latest edition of BCSI (Building Component Safety Information, by TPI and SBCA) for safety practices prior to performing these functions. Installers shall provide temporary bracing per BCSI. Unless noted otherwise, top chord shall have properly attached structural sheathing and bottom chord shall have a properly attached rigid ceiling. Locations shown for permanent lateral restraint of webs shall have continuous lateral restraint (CLR), installed with diagonal bracing installed on the CLR per BCSI sections B3, B7, or B10, as applicable. Apply plates to each face of truss and position as shown above and on the Joint Details, unless noted otherwise. Refer to drawings 160A-Z for standard plate positions. Refer to job's General Notes page for additional information.
 Alpine, a division of ITW Building Components Group Inc. shall not be responsible for any deviation from this drawing, any failure to build the truss in conformance with ANSI/TPI 1, or for handling, shipping, installation and bracing of trusses. A seal on this drawing or cover page listing this drawing, indicates acceptance of professional engineering responsibility solely for the design shown. The suitability and use of this drawing for any structure is the responsibility of the Building Designer per ANSI/TPI 1 Sec.2.
 For more information see these web sites: Alpine: alpineitw.com; TPI: tpinst.org; SBCA: sbcacomponents.com; ICC: iccsafe.org; AWC: awc.org



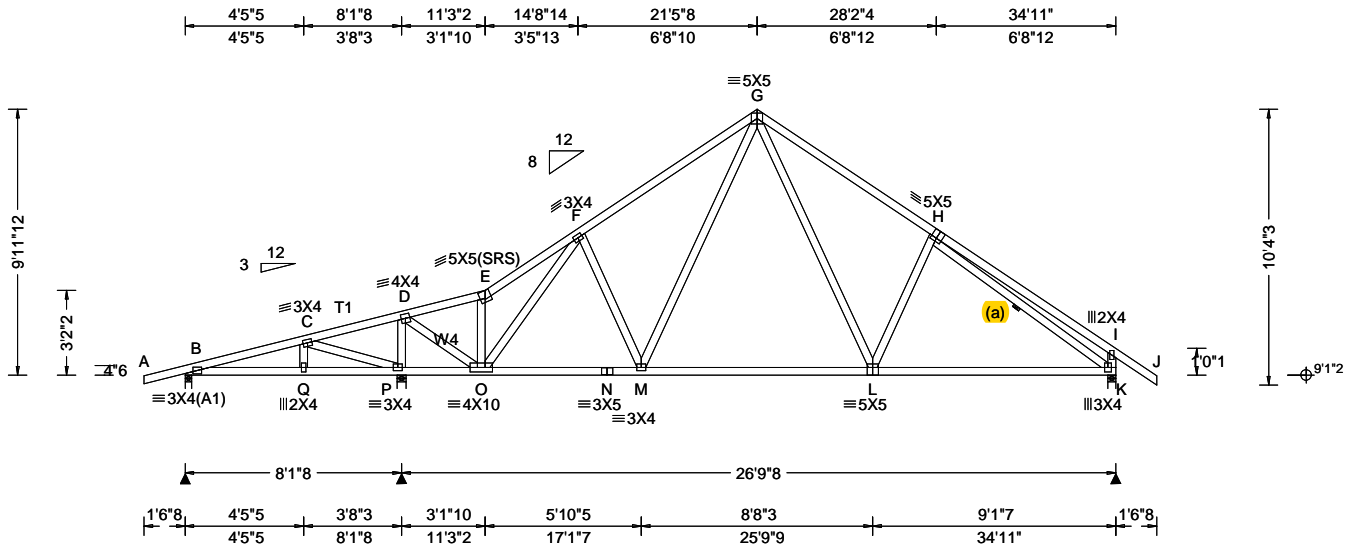


Loading Criteria (psf) TCLL: 40.00 TCDL: 10.00 BCCL: 0.00 BCDL: 5.00 Des Ld: 55.00 NCBCLL: 10.00 Soffit: 2.00 Load Duration: 1.00 Spacing: 24.0 "	Wind Criteria Wind Std: NA Speed: NA mph Enclosure: NA Category: NA EXP: NA Kzt: NA Mean Height: NA ft TCDL: NA psf BCDL: NA psf MWFRS Parallel Dist: NA C&C Dist a: NA Loc. from endwall: NA I: NA GCpi: NA Wind Duration: NA	Snow Criteria (Pg,Pf in PSF) Pg: NA Ct: NA CAT: NA Pf: NA Ce: NA Lu: NA Cs: NA Snow Duration: NA Building Code: FBC 8th Ed. 2023 Res. TPI Std: 2014 Rep Fac: Varies by Ld Case FT/RT:20(0)/10(0) Plate Type(s): WAVE	Defl/CSI Criteria PP Deflection in loc L/defl L/# VERT(LL): 0.004 C 999 480 VERT(CL): 0.004 C 999 360 HORZ(LL): 0.001 A - - HORZ(TL): 0.001 A - - Creep Factor: 2.0 Max TC CSI: 0.068 Max BC CSI: 0.111 Max Web CSI: 0.179 VIEW Ver: 24.02.00D.0114.10	▲ Maximum Reactions (lbs) <table border="1"> <thead> <tr> <th rowspan="2">Loc</th> <th colspan="3">Gravity</th> <th colspan="3">Non-Gravity</th> </tr> <tr> <th>R+</th> <th>/R-</th> <th>/Rh</th> <th>/Rw</th> <th>/U</th> <th>/RL</th> </tr> </thead> <tbody> <tr> <td>H</td> <td>621</td> <td>/-</td> <td>/-</td> <td>/-</td> <td>/-</td> <td>/-</td> </tr> <tr> <td>E</td> <td>621</td> <td>/-</td> <td>/-</td> <td>/-</td> <td>/-</td> <td>/-</td> </tr> <tr> <td colspan="7">H Brg Wid = 3.5 Min Req = 1.5 (Truss)</td> </tr> <tr> <td colspan="7">E Brg Wid = 3.5 Min Req = 1.5 (Truss)</td> </tr> <tr> <td colspan="7">Bearings H & E are a rigid surface.</td> </tr> <tr> <td colspan="7">Maximum Web Forces Per Ply (lbs)</td> </tr> <tr> <td colspan="2">Webs</td> <td colspan="2">Tens.Comp.</td> <td colspan="3"></td> </tr> <tr> <td>F - D</td> <td colspan="2">376</td> <td colspan="4">0</td> </tr> </tbody> </table>	Loc	Gravity			Non-Gravity			R+	/R-	/Rh	/Rw	/U	/RL	H	621	/-	/-	/-	/-	/-	E	621	/-	/-	/-	/-	/-	H Brg Wid = 3.5 Min Req = 1.5 (Truss)							E Brg Wid = 3.5 Min Req = 1.5 (Truss)							Bearings H & E are a rigid surface.							Maximum Web Forces Per Ply (lbs)							Webs		Tens.Comp.					F - D	376		0			
				Loc		Gravity			Non-Gravity																																																																
R+	/R-	/Rh	/Rw		/U	/RL																																																																			
H	621	/-	/-	/-	/-	/-																																																																			
E	621	/-	/-	/-	/-	/-																																																																			
H Brg Wid = 3.5 Min Req = 1.5 (Truss)																																																																									
E Brg Wid = 3.5 Min Req = 1.5 (Truss)																																																																									
Bearings H & E are a rigid surface.																																																																									
Maximum Web Forces Per Ply (lbs)																																																																									
Webs		Tens.Comp.																																																																							
F - D	376		0																																																																						
				Lumber Top chord: 2x6 SP #2; Bot chord: 2x6 SP #2; Webs: 2x4 SP #3; Nailnote Nail Schedule: 0.128"x3", min. nails Top Chord: 1 Row @ 5.25" o.c. Bot Chord: 1 Row @ 12.00" o.c. Webs : 1 Row @ 4" o.c. Use equal spacing between rows and stagger nails in each row to avoid splitting. Special Loads -----(Lumber Dur.Fac.=1.00 / Plate Dur.Fac.=1.00) TC: From 100 plf at 0.00 to 100 plf at 4.29 BC: From 10 plf at 0.00 to 10 plf at 4.29 TC: 385 lb Conc. Load at 1.33, 2.96 Purlins The TC of this truss shall be braced with attached spans at 24" oc in lieu of structural sheathing. Additional Notes Truss must be installed as shown with top chord up. The overall height of this truss excluding overhang is 1'-6".																																																																					



COA #0278
 02/12/2026
 Florida Certificate of Product Approval #FL 1999

****WARNING** READ AND FOLLOW ALL NOTES ON THIS DRAWING!**
****IMPORTANT** FURNISH THIS DRAWING TO ALL CONTRACTORS INCLUDING THE INSTALLERS**
 Trusses require extreme care in fabricating, handling, shipping, installing and bracing. Refer to and follow the latest edition of BCSI (Building Component Safety Information, by TPI and SBCA) for safety practices prior to performing these functions. Installers shall provide temporary bracing per BCSI. Unless noted otherwise, top chord shall have properly attached structural sheathing and bottom chord shall have a properly attached rigid ceiling. Locations shown for permanent lateral restraint of webs shall have continuous lateral restraint (CLR), installed with diagonal bracing installed on the CLR per BCSI sections B3, B7, or B10, as applicable. Apply plates to each face of truss and position as shown above and on the Joint Details, unless noted otherwise. Refer to drawings 160A-Z for standard plate positions. Refer to job's General Notes page for additional information.
 Alpine, a division of ITW Building Components Group Inc. shall not be responsible for any deviation from this drawing, any failure to build the truss in conformance with ANSI/TPI 1, or for handling, shipping, installation and bracing of trusses. A seal on this drawing or cover page listing this drawing, indicates acceptance of professional engineering responsibility solely for the design shown. The suitability and use of this drawing for any structure is the responsibility of the Building Designer per ANSI/TPI 1 Sec.2.
 For more information see these web sites: Alpine: alpineitw.com; TPI: tpinst.org; SBCA: sbcacomponents.com; ICC: iccsafe.org; AWC: awc.org



Loading Criteria (psf) TCLL: 20.00 TCDL: 10.00 BCLL: 0.00 BCDL: 10.00 Des Ld: 40.00 NCBCLL: 10.00 Soffit: 2.00 Load Duration: 1.25 Spacing: 24.0 "	Wind Criteria Wind Std: ASCE 7-22 Speed: 130 mph Enclosure: Enclosed Risk Category: II EXP: B Kzt: NA Mean Height: 15.00 ft TCDL: 5.0 psf BCDL: 5.0 psf MWFRS Parallel Dist: > 2h C&C Dist a: 3.49 ft Loc. from endwall: not in 9.00 ft GCpi: 0.18 Wind Duration: 1.60	Snow Criteria (Pg,Pf in PSF) Pg: NA Ct: NA CAT: NA Pf: NA Ce: NA Lu: NA Cs: NA Snow Duration: NA Building Code: FBC 8th Ed. 2023 Res. TPI Std: 2014 Rep Fac: Yes FT/RT:20(0)/10(0) Plate Type(s): WAVE	Defl/CSI Criteria PP Deflection in loc L/defl L/# VERT(LL): 0.038 L 999 360 VERT(CL): 0.078 L 999 240 HORZ(LL): 0.021 I - - HORZ(TL): 0.044 I - - Creep Factor: 2.0 Max TC CSI: 0.306 Max BC CSI: 0.849 Max Web CSI: 0.465 VIEW Ver: 24.02.00D.0114.10	▲ Maximum Reactions (lbs) Gravity Loc R+ /R- /Rh /Rw /U /RL Non-Gravity B 309 /- /- /95 /52 /170 P 1669 /- /- /932 /- /- K 1194 /- /- /642 /- /- Wind reactions based on MWFRS B Brg Wid = 3.0 Min Req = 1.5 (Truss) P Brg Wid = 4.0 Min Req = 2.7 (Truss) K Brg Wid = 3.5 Min Req = 2.2 (Truss) Bearings B, P, & K are a rigid surface. Members not listed have forces less than 375# Maximum Top Chord Forces Per Ply (lbs) Chords Tens.Comp. Chords Tens. Comp.
--------------------------------------------------------------------------------------------------------------------------------------------------------------------------------------	----------------------------------------------------------------------------------------------------------------------------------------------------------------------------------------------------------------------------------------------------------------------------------------------------------------------	----------------------------------------------------------------------------------------------------------------------------------------------------------------------------------------------------------------------------------------------------	-------------------------------------------------------------------------------------------------------------------------------------------------------------------------------------------------------------------------------------------------------------------------------------------------	----------------------------------------------------------------------------------------------------------------------------------------------------------------------------------------------------------------------------------------------------------------------------------------------------------------------------------------------------------------------------------------------------------------------------------------------------------------------------------------------------------------------------

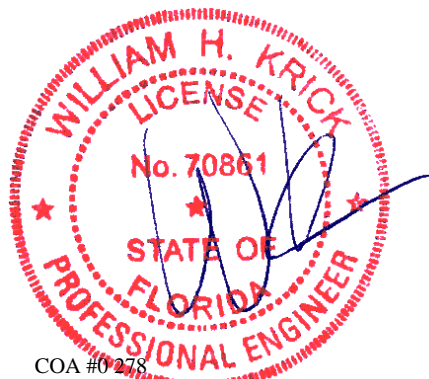
Lumber
Top chord: 2x4 SP M-31; T1 2x4 SP #2;
Bot chord: 2x4 SP #2;
Webs: 2x4 SP #3; W4 2x4 SP #2;

Bracing
(a) Continuous lateral restraint equally spaced on member.

Wind
Wind loads based on MWFRS with additional C&C member design.
Right end vertical not exposed to wind pressure.
Wind loading based on both gable and hip roof types.

Additional Notes
The overall height of this truss excluding overhang is 9-11-12.

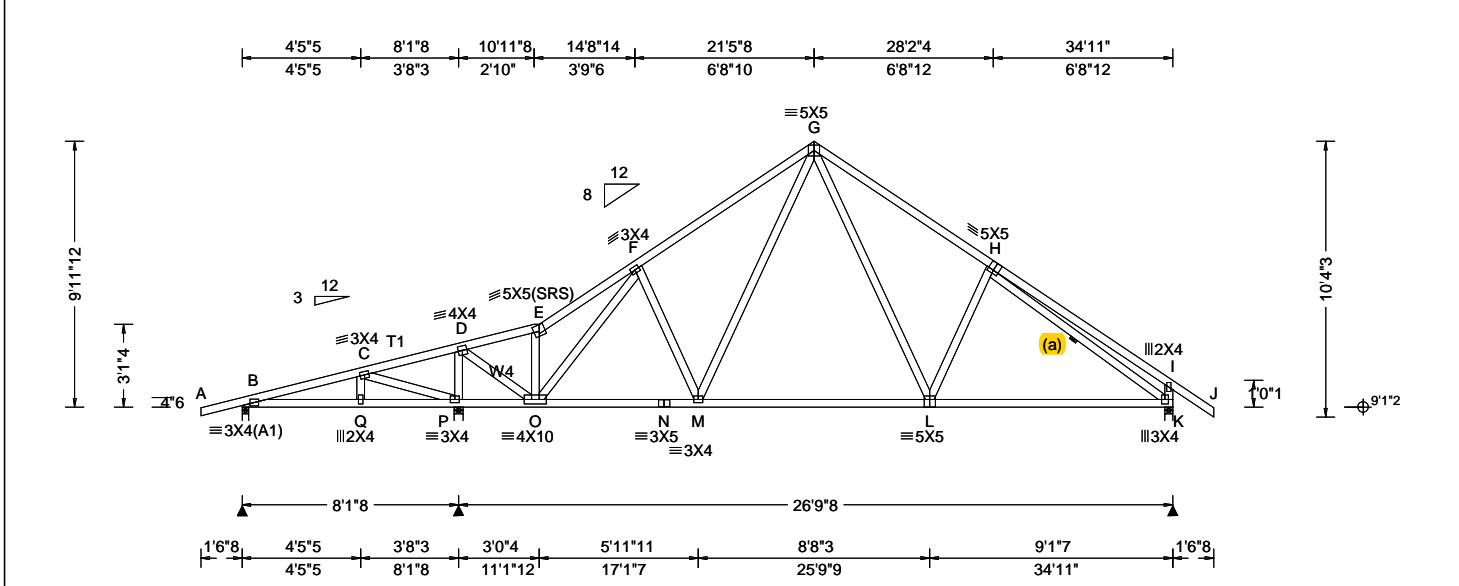
Maximum Bot Chord Forces Per Ply (lbs)			
Chords	Tens.Comp.	Chords	Tens. Comp.
P - O	65 -513	M - L	736 0
O - N	950 0	L - K	1075 0
N - M	950 0		
Maximum Web Forces Per Ply (lbs)			
Webs	Tens.Comp.	Webs	Tens. Comp.
C - P	37 -588	O - F	8 -454
P - D	131 -1411	G - L	520 -34
D - O	1430 -52	H - K	0 -1214
O - E	87 -445		



COA #0278
02/12/2026
Florida Certificate of Product Approval #FL 1999

****WARNING** READ AND FOLLOW ALL NOTES ON THIS DRAWING!**
****IMPORTANT** FURNISH THIS DRAWING TO ALL CONTRACTORS INCLUDING THE INSTALLERS**
Trusses require extreme care in fabricating, handling, shipping, installing and bracing. Refer to and follow the latest edition of BCSI (Building Component Safety Information, by TPI and SBCA) for safety practices prior to performing these functions. Installers shall provide temporary bracing per BCSI. Unless noted otherwise, top chord shall have properly attached structural sheathing and bottom chord shall have a properly attached rigid ceiling. Locations shown for permanent lateral restraint of webs shall have continuous lateral restraint (CLR), installed with diagonal bracing installed on the CLR per BCSI sections B3, B7, or B10, as applicable. Apply plates to each face of truss and position as shown above and on the Joint Details, unless noted otherwise. Refer to drawings 160A-Z for standard plate positions. Refer to job's General Notes page for additional information.
Alpine, a division of ITW Building Components Group Inc. shall not be responsible for any deviation from this drawing, any failure to build the truss in conformance with ANSI/TPI 1, or for handling, shipping, installation and bracing of trusses. A seal on this drawing or cover page listing this drawing, indicates acceptance of professional engineering responsibility solely for the design shown. The suitability and use of this drawing for any structure is the responsibility of the Building Designer per ANSI/TPI 1 Sec.2.
For more information see these web sites: Alpine: alpineitw.com; TPI: tpinst.org; SBCA: sbccomponents.com; ICC: iccsafe.org; AWC: awc.org





Loading Criteria (psf) TCLL: 20.00 TCDL: 10.00 BCLL: 0.00 BCDL: 10.00 Des Ld: 40.00 NCBCLL: 10.00 Soffit: 2.00 Load Duration: 1.25 Spacing: 24.0 "	Wind Criteria Wind Std: ASCE 7-22 Speed: 130 mph Enclosure: Enclosed Risk Category: II EXP: B Kzt: NA Mean Height: 15.00 ft TCDL: 5.0 psf BCDL: 5.0 psf MWFRS Parallel Dist: > 2h C&C Dist a: 3.49 ft Loc. from endwall: not in 9.00 ft GCpi: 0.18 Wind Duration: 1.60	Snow Criteria (Pg,Pf in PSF) Pg: NA Ct: NA CAT: NA Pf: NA Ce: NA Lu: NA Cs: NA Snow Duration: NA Building Code: FBC 8th Ed. 2023 Res. TPI Std: 2014 Rep Fac: Yes FT/RT:20(0)/10(0) Plate Type(s): WAVE	Defl/CSI Criteria PP Deflection in loc L/defl L/# VERT(LL): 0.038 L 999 360 VERT(CL): 0.078 L 999 240 HORZ(LL): 0.022 I - - HORZ(TL): 0.044 I - - Creep Factor: 2.0 Max TC CSI: 0.307 Max BC CSI: 0.848 Max Web CSI: 0.465 VIEW Ver: 24.02.00D.0114.10	▲ Maximum Reactions (lbs) Gravity Loc R+ / R- / Rh / Rw / U / RL Non-Gravity B 309 /- /- /95 /53 /171 P 1669 /- /- /929 /- /- K 1194 /- /- /642 /- /- Wind reactions based on MWFRS B Brg Wid = 3.0 Min Req = 1.5 (Truss) P Brg Wid = 4.0 Min Req = 2.7 (Truss) K Brg Wid = 3.5 Min Req = 2.2 (Truss) Bearings B, P, & K are a rigid surface. Members not listed have forces less than 375# Maximum Top Chord Forces Per Ply (lbs) Chords Tens.Comp. Chords Tens. Comp.
--------------------------------------------------------------------------------------------------------------------------------------------------------------------------------------	----------------------------------------------------------------------------------------------------------------------------------------------------------------------------------------------------------------------------------------------------------------------------------------------------------------------	----------------------------------------------------------------------------------------------------------------------------------------------------------------------------------------------------------------------------------------------------	-------------------------------------------------------------------------------------------------------------------------------------------------------------------------------------------------------------------------------------------------------------------------------------------------	---------------------------------------------------------------------------------------------------------------------------------------------------------------------------------------------------------------------------------------------------------------------------------------------------------------------------------------------------------------------------------------------------------------------------------------------------------------------------------------------------------------------------------

Lumber
Top chord: 2x4 SP M-31; T1 2x4 SP #2;
Bot chord: 2x4 SP #2;
Webs: 2x4 SP #3; W4 2x4 SP #2;

Bracing
(a) Continuous lateral restraint equally spaced on member.

Wind
Wind loads based on MWFRS with additional C&C member design.
Right end vertical not exposed to wind pressure.
Wind loading based on both gable and hip roof types.

Additional Notes
The overall height of this truss excluding overhang is 9-11-12.

Maximum Bot Chord Forces Per Ply (lbs)			
Chords	Tens.Comp.	Chords	Tens. Comp.
P - O	65 -512	M - L	736 0
O - N	951 0	L - K	1076 0
N - M	951 0		
Maximum Web Forces Per Ply (lbs)			
Webs	Tens.Comp.	Webs	Tens. Comp.
C - P	39 -590	O - F	8 -485
P - D	118 -1413	G - L	519 -34
D - O	1421 -48	H - K	0 -1214
O - E	75 -440		

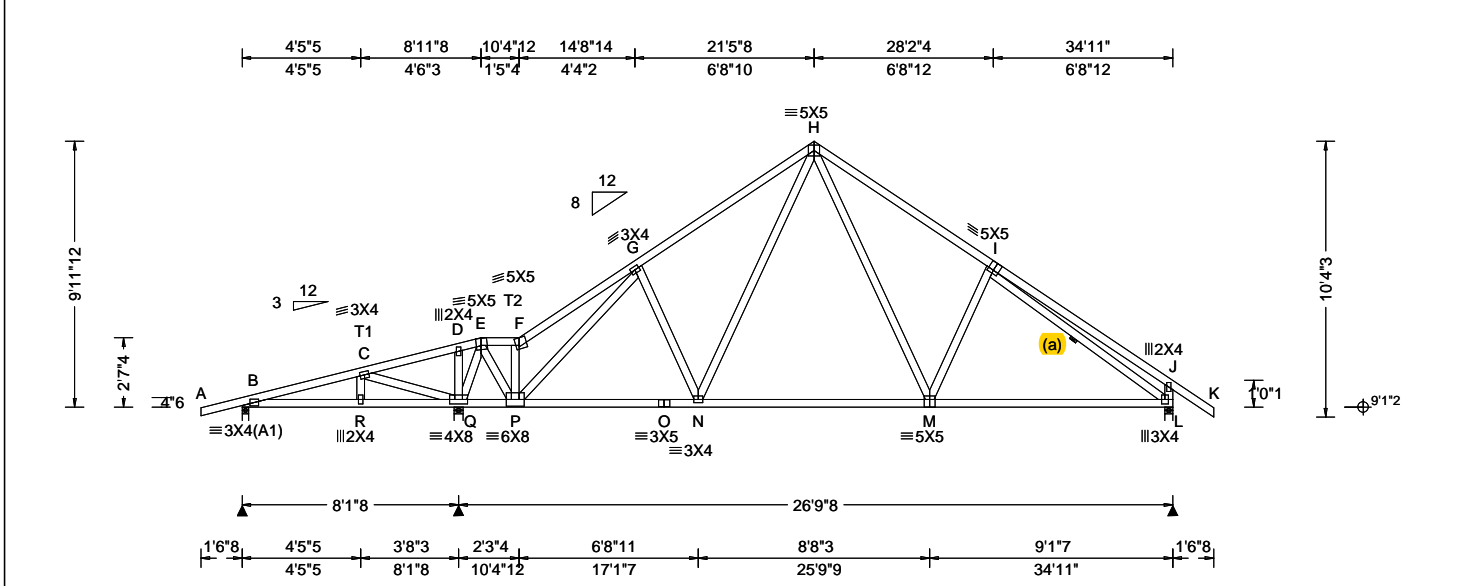


COA #0278

Florida Certificate of Product Approval #FL 1999

****WARNING** READ AND FOLLOW ALL NOTES ON THIS DRAWING!**
****IMPORTANT** FURNISH THIS DRAWING TO ALL CONTRACTORS INCLUDING THE INSTALLERS**
Trusses require extreme care in fabricating, handling, shipping, installing and bracing. Refer to and follow the latest edition of BCSI (Building Component Safety Information, by TPI and SBCA) for safety practices prior to performing these functions. Installers shall provide temporary bracing per BCSI. Unless noted otherwise, top chord shall have properly attached structural sheathing and bottom chord shall have a properly attached rigid ceiling. Locations shown for permanent lateral restraint of webs shall have continuous lateral restraint (CLR), installed with diagonal bracing installed on the CLR per BCSI sections B3, B7, or B10, as applicable. Apply plates to each face of truss and position as shown above and on the Joint Details, unless noted otherwise. Refer to drawings 160A-Z for standard plate positions. Refer to job's General Notes page for additional information.
Alpine, a division of ITW Building Components Group Inc. shall not be responsible for any deviation from this drawing, any failure to build the truss in conformance with ANSI/TPI 1, or for handling, shipping, installation and bracing of trusses. A seal on this drawing or cover page listing this drawing, indicates acceptance of professional engineering responsibility solely for the design shown. The suitability and use of this drawing for any structure is the responsibility of the Building Designer per ANSI/TPI 1 Sec.2.
For more information see these web sites: Alpine: alpineitw.com; TPI: tpinst.org; SBCA: sbccomponents.com; ICC: iccsafe.org; AWC: awc.org





Loading Criteria (psf) TCLL: 20.00 TCDL: 10.00 BCLL: 0.00 BCDL: 10.00 Des Ld: 40.00 NCBCLL: 10.00 Soffit: 2.00 Load Duration: 1.25 Spacing: 24.0 "	Wind Criteria Wind Std: ASCE 7-22 Speed: 130 mph Enclosure: Enclosed Risk Category: II EXP: B Kzt: NA Mean Height: 15.00 ft TCDL: 5.0 psf BCDL: 5.0 psf MWFRS Parallel Dist: > 2h C&C Dist a: 3.49 ft Loc. from endwall: not in 9.00 ft GCp: 0.18 Wind Duration: 1.60	Snow Criteria (Pg,Pf in PSF) Pg: NA Ct: NA CAT: NA Pf: NA Ce: NA Lu: NA Cs: NA Snow Duration: NA Building Code: FBC 8th Ed. 2023 Res. TPI Std: 2014 Rep Fac: Yes FT/RT:20(0)/10(0) Plate Type(s): WAVE	Defl/CSI Criteria PP Deflection in loc L/defl L/# VERT(LL): 0.037 M 999 360 VERT(CL): 0.077 M 999 240 HORZ(LL): 0.023 J - - HORZ(TL): 0.047 J - - Creep Factor: 2.0 Max TC CSI: 0.287 Max BC CSI: 0.844 Max Web CSI: 0.647 VIEW Ver: 24.02.00D.0114.10	▲ Maximum Reactions (lbs) Gravity Loc R+ / R- / Rh / Rw / U / RL Non-Gravity B 320 /- /- /101 /51 /172 Q 1664 /- /- /933 /- /- L 1188 /- /- /639 /- /- Wind reactions based on MWFRS B Brg Wid = 3.0 Min Req = 1.5 (Truss) Q Brg Wid = 4.0 Min Req = 2.7 (Truss) L Brg Wid = 3.5 Min Req = 2.2 (Truss) Bearings B, Q, & L are a rigid surface. Members not listed have forces less than 375# Maximum Top Chord Forces Per Ply (lbs) Chords Tens.Comp. Chords Tens. Comp.
--------------------------------------------------------------------------------------------------------------------------------------------------------------------------------------	---------------------------------------------------------------------------------------------------------------------------------------------------------------------------------------------------------------------------------------------------------------------------------------------------------------------	----------------------------------------------------------------------------------------------------------------------------------------------------------------------------------------------------------------------------------------------------	-------------------------------------------------------------------------------------------------------------------------------------------------------------------------------------------------------------------------------------------------------------------------------------------------	----------------------------------------------------------------------------------------------------------------------------------------------------------------------------------------------------------------------------------------------------------------------------------------------------------------------------------------------------------------------------------------------------------------------------------------------------------------------------------------------------------------------------------

Lumber Top chord: 2x4 SP M-31; T1,T2 2x4 SP #2; Bot chord: 2x4 SP #2; Webs: 2x4 SP #3;	
--------------------------------------------------------------------------------------------------------	--

Bracing (a) Continuous lateral restraint equally spaced on member.	
------------------------------------------------------------------------------	--

Wind Wind loads based on MWFRS with additional C&C member design. Right end vertical not exposed to wind pressure. Wind loading based on both gable and hip roof types.	
-----------------------------------------------------------------------------------------------------------------------------------------------------------------------------------------	--

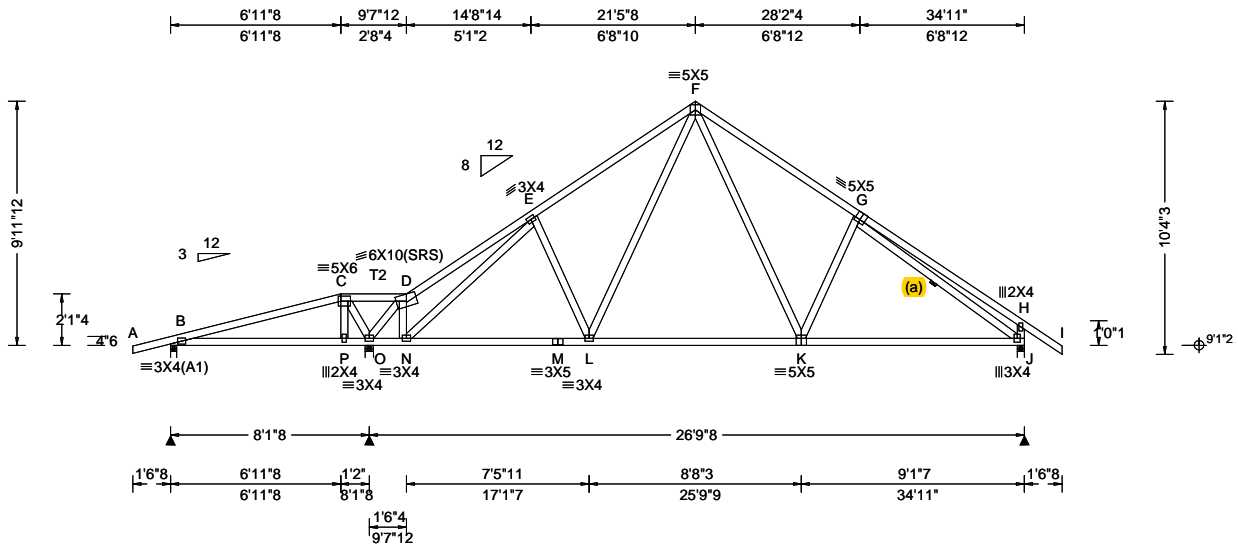
Additional Notes
The overall height of this truss excluding overhang is 9-11-12.



COA #0278
02/12/2026
Florida Certificate of Product Approval #FL 1999

****WARNING** READ AND FOLLOW ALL NOTES ON THIS DRAWING!**
****IMPORTANT** FURNISH THIS DRAWING TO ALL CONTRACTORS INCLUDING THE INSTALLERS**
Trusses require extreme care in fabricating, handling, shipping, installing and bracing. Refer to and follow the latest edition of BCSI (Building Component Safety Information, by TPI and SBCA) for safety practices prior to performing these functions. Installers shall provide temporary bracing per BCSI. Unless noted otherwise, top chord shall have properly attached structural sheathing and bottom chord shall have a properly attached rigid ceiling. Locations shown for permanent lateral restraint of webs shall have continuous lateral restraint (CLR), installed with diagonal bracing installed on the CLR per BCSI sections B3, B7, or B10, as applicable. Apply plates to each face of truss and position as shown above and on the Joint Details, unless noted otherwise. Refer to drawings 160A-Z for standard plate positions. Refer to job's General Notes page for additional information.
Alpine, a division of ITW Building Components Group Inc. shall not be responsible for any deviation from this drawing, any failure to build the truss in conformance with ANSI/TPI 1, or for handling, shipping, installation and bracing of trusses. A seal on this drawing or cover page listing this drawing, indicates acceptance of professional engineering responsibility solely for the design shown. The suitability and use of this drawing for any structure is the responsibility of the Building Designer per ANSI/TPI 1 Sec.2.
For more information see these web sites: Alpine: alpineitw.com; TPI: tpinst.org; SBCA: sbccomponents.com; ICC: iccsafe.org; AWC: awc.org





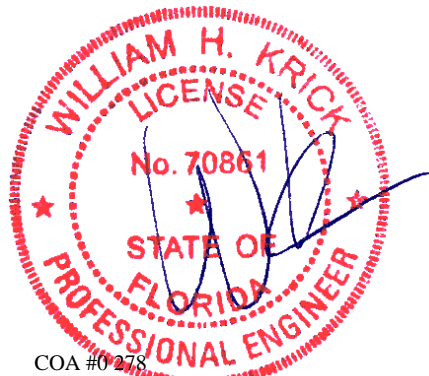
Loading Criteria (psf) TCCL: 20.00 TCCL: 10.00 BCLL: 0.00 BCDL: 10.00 Des Ld: 40.00 NCBCLL: 10.00 Soffit: 2.00 Load Duration: 1.25 Spacing: 24.0 "	Wind Criteria Wind Std: ASCE 7-22 Speed: 130 mph Enclosure: Enclosed Risk Category: II EXP: B Kzt: NA Mean Height: 15.00 ft TCCL: 5.0 psf BCDL: 5.0 psf MWFRS Parallel Dist: > 2h C&C Dist a: 3.49 ft Loc. from endwall: not in 9.00 ft GCp: 0.18 Wind Duration: 1.60	Snow Criteria (Pg,Pf in PSF) Pg: NA Ct: NA CAT: NA Pf: NA Ce: NA Lu: NA Cs: NA Snow Duration: NA Building Code: FBC 8th Ed. 2023 Res. TPI Std: 2014 Rep Fac: Yes FT/RT:20(0)/10(0) Plate Type(s): WAVE	Defl/CSI Criteria PP Deflection in loc L/defl L/# VERT(LL): 0.038 K 999 360 VERT(CL): 0.078 K 999 240 HORZ(LL): 0.025 H - - HORZ(TL): 0.051 H - - Creep Factor: 2.0 Max TC CSI: 0.262 Max BC CSI: 0.847 Max Web CSI: 0.659 VIEW Ver: 24.02.00D.0114.10	▲ Maximum Reactions (lbs) <table style="width:100%; border-collapse: collapse;"> <thead> <tr> <th rowspan="2">Loc</th> <th colspan="3">Gravity</th> <th colspan="3">Non-Gravity</th> </tr> <tr> <th>R+</th> <th>/R-</th> <th>/Rh</th> <th>/Rw</th> <th>/U</th> <th>/RL</th> </tr> </thead> <tbody> <tr> <td>B</td> <td>397</td> <td>-</td> <td>-</td> <td>/147</td> <td>/49</td> <td>/173</td> </tr> <tr> <td>O</td> <td>1550</td> <td>-</td> <td>-</td> <td>/876</td> <td>-</td> <td>-</td> </tr> <tr> <td>J</td> <td>1207</td> <td>-</td> <td>-</td> <td>/650</td> <td>-</td> <td>-</td> </tr> </tbody> </table> <p>Wind reactions based on MWFRS B Brg Wid = 3.0 Min Req = 1.5 (Truss) O Brg Wid = 4.0 Min Req = 1.5 (Truss) J Brg Wid = 3.5 Min Req = 1.5 (Truss) Bearings B, O, & J are a rigid surface. Members not listed have forces less than 375#</p> Maximum Top Chord Forces Per Ply (lbs) <table style="width:100%; border-collapse: collapse;"> <thead> <tr> <th>Chords</th> <th>Tens.Comp.</th> <th>Chords</th> <th>Tens. Comp.</th> </tr> </thead> <tbody> <tr> <td>C - D</td> <td>424 -31</td> <td>E - F</td> <td>166 -1217</td> </tr> <tr> <td>D - E</td> <td>101 -762</td> <td>F - G</td> <td>159 -1281</td> </tr> </tbody> </table> Maximum Bot Chord Forces Per Ply (lbs) <table style="width:100%; border-collapse: collapse;"> <thead> <tr> <th>Chords</th> <th>Tens.Comp.</th> <th>Chords</th> <th>Tens. Comp.</th> </tr> </thead> <tbody> <tr> <td>O - N</td> <td>574 0</td> <td>L - K</td> <td>755 0</td> </tr> <tr> <td>N - M</td> <td>1005 0</td> <td>K - J</td> <td>1093 0</td> </tr> <tr> <td>M - L</td> <td>1005 0</td> <td></td> <td></td> </tr> </tbody> </table> Maximum Web Forces Per Ply (lbs) <table style="width:100%; border-collapse: collapse;"> <thead> <tr> <th>Webs</th> <th>Tens.Comp.</th> <th>Webs</th> <th>Tens. Comp.</th> </tr> </thead> <tbody> <tr> <td>C - O</td> <td>64 -589</td> <td>L - F</td> <td>390 -39</td> </tr> <tr> <td>O - D</td> <td>89 -1519</td> <td>F - K</td> <td>513 -35</td> </tr> <tr> <td>D - N</td> <td>563 0</td> <td>G - J</td> <td>0 -1235</td> </tr> <tr> <td>N - E</td> <td>11 -640</td> <td>H - J</td> <td>148 -375</td> </tr> </tbody> </table>	Loc	Gravity			Non-Gravity			R+	/R-	/Rh	/Rw	/U	/RL	B	397	-	-	/147	/49	/173	O	1550	-	-	/876	-	-	J	1207	-	-	/650	-	-	Chords	Tens.Comp.	Chords	Tens. Comp.	C - D	424 -31	E - F	166 -1217	D - E	101 -762	F - G	159 -1281	Chords	Tens.Comp.	Chords	Tens. Comp.	O - N	574 0	L - K	755 0	N - M	1005 0	K - J	1093 0	M - L	1005 0			Webs	Tens.Comp.	Webs	Tens. Comp.	C - O	64 -589	L - F	390 -39	O - D	89 -1519	F - K	513 -35	D - N	563 0	G - J	0 -1235	N - E	11 -640	H - J	148 -375
Loc	Gravity			Non-Gravity																																																																																		
	R+	/R-	/Rh	/Rw	/U	/RL																																																																																
B	397	-	-	/147	/49	/173																																																																																
O	1550	-	-	/876	-	-																																																																																
J	1207	-	-	/650	-	-																																																																																
Chords	Tens.Comp.	Chords	Tens. Comp.																																																																																			
C - D	424 -31	E - F	166 -1217																																																																																			
D - E	101 -762	F - G	159 -1281																																																																																			
Chords	Tens.Comp.	Chords	Tens. Comp.																																																																																			
O - N	574 0	L - K	755 0																																																																																			
N - M	1005 0	K - J	1093 0																																																																																			
M - L	1005 0																																																																																					
Webs	Tens.Comp.	Webs	Tens. Comp.																																																																																			
C - O	64 -589	L - F	390 -39																																																																																			
O - D	89 -1519	F - K	513 -35																																																																																			
D - N	563 0	G - J	0 -1235																																																																																			
N - E	11 -640	H - J	148 -375																																																																																			

Lumber
 Top chord: 2x4 SP M-31; T2 2x4 SP #2;
 Bot chord: 2x4 SP #2;
 Webs: 2x4 SP #3;

Bracing
 (a) Continuous lateral restraint equally spaced on member.

Wind
 Wind loads based on MWFRS with additional C&C member design.
 Right end vertical not exposed to wind pressure.
 Wind loading based on both gable and hip roof types.

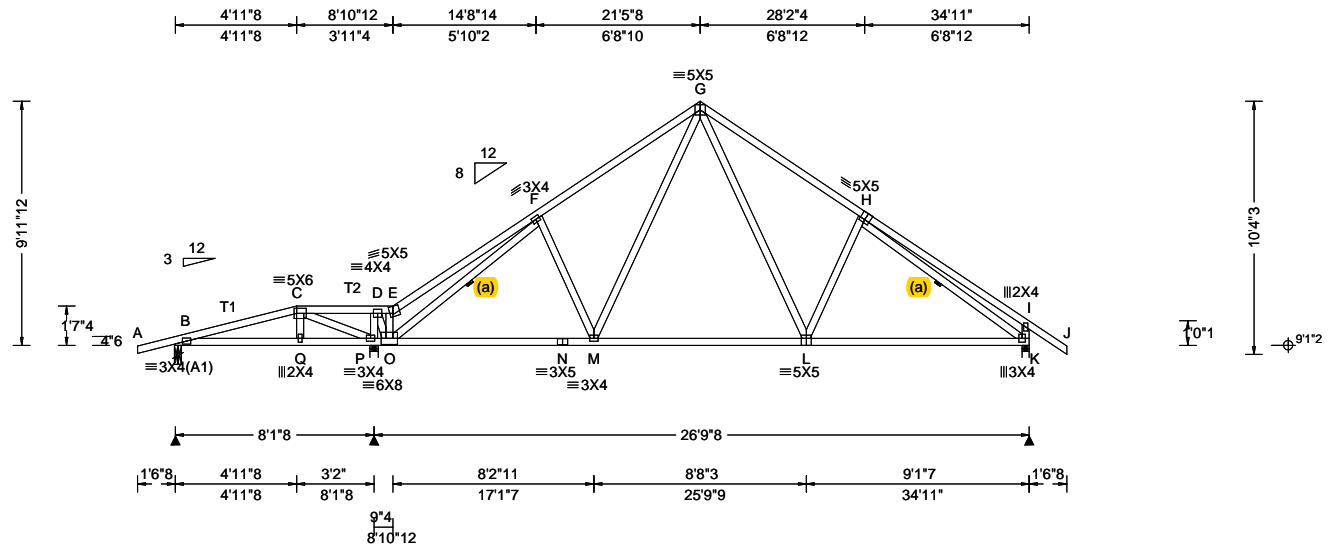
Additional Notes
 The overall height of this truss excluding overhang is 9-11-12.



COA #0278
 02/12/2026
 Florida Certificate of Product Approval #FL 1999

****WARNING** READ AND FOLLOW ALL NOTES ON THIS DRAWING!**
****IMPORTANT** FURNISH THIS DRAWING TO ALL CONTRACTORS INCLUDING THE INSTALLERS**
 Trusses require extreme care in fabricating, handling, shipping, installing and bracing. Refer to and follow the latest edition of BCSI (Building Component Safety Information, by TPI and SBCA) for safety practices prior to performing these functions. Installers shall provide temporary bracing per BCSI. Unless noted otherwise, top chord shall have properly attached structural sheathing and bottom chord shall have a properly attached rigid ceiling. Locations shown for permanent lateral restraint of webs shall have continuous lateral restraint (CLR), installed with diagonal bracing installed on the CLR per BCSI sections B3, B7, or B10, as applicable. Apply plates to each face of truss and position as shown above and on the Joint Details, unless noted otherwise. Refer to drawings 160A-Z for standard plate positions. Refer to job's General Notes page for additional information.
 Alpine, a division of ITW Building Components Group Inc. shall not be responsible for any deviation from this drawing, any failure to build the truss in conformance with ANSI/TPI 1, or for handling, shipping, installation and bracing of trusses. A seal on this drawing or cover page listing this drawing, indicates acceptance of professional engineering responsibility solely for the design shown. The suitability and use of this drawing for any structure is the responsibility of the Building Designer per ANSI/TPI 1 Sec.2.
 For more information see these web sites: Alpine: alpineitw.com; TPI: tpinst.org; SBCA: sbccomponents.com; ICC: iccsafe.org; AWC: awc.org





Loading Criteria (psf) TCCL: 20.00 TCCL: 10.00 BCDL: 0.00 BCDL: 10.00 Des Ld: 40.00 NCBCLL: 10.00 Soffit: 2.00 Load Duration: 1.25 Spacing: 24.0 "	Wind Criteria Wind Std: ASCE 7-22 Speed: 130 mph Enclosure: Enclosed Risk Category: II EXP: B Kzt: NA Mean Height: 15.00 ft TCCL: 5.0 psf BCDL: 5.0 psf MWFRS Parallel Dist: 0 to h/2 C&C Dist a: 3.49 ft Loc. from endwall: not in 9.00 ft GCp: 0.18 Wind Duration: 1.60	Snow Criteria (Pg,Pf in PSF) Pg: NA Ct: NA CAT: NA Pf: NA Ce: NA Lu: NA Cs: NA Snow Duration: NA Building Code: FBC 8th Ed. 2023 Res. TPI Std: 2014 Rep Fac: Varies by Ld Case FT/RT:20(0)/10(0) Plate Type(s): WAVE	Defl/CSI Criteria PP Deflection in loc L/defl L/# VERT(LL): 0.039 L 999 360 VERT(CL): 0.080 L 999 240 HORZ(LL): 0.029 I - - HORZ(TL): 0.060 I - - Creep Factor: 2.0 Max TC CSI: 0.362 Max BC CSI: 0.845 Max Web CSI: 0.478 VIEW Ver: 24.02.00D.0114.10	▲ Maximum Reactions (lbs) <table style="width:100%; border-collapse: collapse;"> <thead> <tr> <th rowspan="2">Loc</th> <th colspan="3">Gravity</th> <th colspan="3">Non-Gravity</th> </tr> <tr> <th>R+</th> <th>/R-</th> <th>/Rh</th> <th>/Rw</th> <th>/U</th> <th>/RL</th> </tr> </thead> <tbody> <tr> <td>B</td> <td>457</td> <td>-</td> <td>-</td> <td>-</td> <td>/43</td> <td>-</td> </tr> <tr> <td>P</td> <td>1738</td> <td>-</td> <td>-</td> <td>-</td> <td>/36</td> <td>-</td> </tr> <tr> <td>K</td> <td>1216</td> <td>-</td> <td>-</td> <td>-</td> <td>/44</td> <td>-</td> </tr> </tbody> </table> <p>Wind reactions based on MWFRS B Brg Wid = 3.0 Min Req = 1.5 (Truss) P Brg Wid = 4.0 Min Req = 2.6 (Truss) K Brg Wid = 3.5 Min Req = 2.3 (Truss) Bearings B, P, & K are a rigid surface. Members not listed have forces less than 375#</p> Maximum Top Chord Forces Per Ply (lbs) <table style="width:100%; border-collapse: collapse;"> <thead> <tr> <th>Chords</th> <th>Tens.</th> <th>Comp.</th> <th>Chords</th> <th>Tens.</th> <th>Comp.</th> </tr> </thead> <tbody> <tr> <td>B - C</td> <td>34</td> <td>-557</td> <td>F - G</td> <td>36</td> <td>-1252</td> </tr> <tr> <td>C - D</td> <td>404</td> <td>0</td> <td>G - H</td> <td>32</td> <td>-1296</td> </tr> <tr> <td>E - F</td> <td>19</td> <td>-525</td> <td></td> <td></td> <td></td> </tr> </tbody> </table>	Loc	Gravity			Non-Gravity			R+	/R-	/Rh	/Rw	/U	/RL	B	457	-	-	-	/43	-	P	1738	-	-	-	/36	-	K	1216	-	-	-	/44	-	Chords	Tens.	Comp.	Chords	Tens.	Comp.	B - C	34	-557	F - G	36	-1252	C - D	404	0	G - H	32	-1296	E - F	19	-525			
Loc	Gravity			Non-Gravity																																																										
	R+	/R-	/Rh	/Rw	/U	/RL																																																								
B	457	-	-	-	/43	-																																																								
P	1738	-	-	-	/36	-																																																								
K	1216	-	-	-	/44	-																																																								
Chords	Tens.	Comp.	Chords	Tens.	Comp.																																																									
B - C	34	-557	F - G	36	-1252																																																									
C - D	404	0	G - H	32	-1296																																																									
E - F	19	-525																																																												

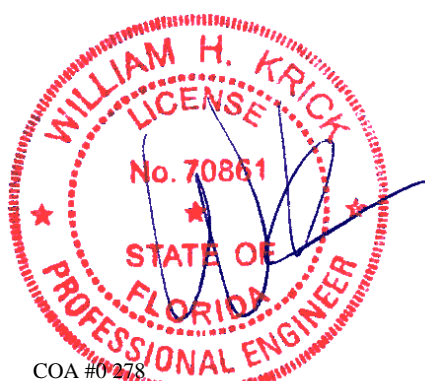
Lumber
 Top chord: 2x4 SP M-31; T1,T2 2x4 SP #2;
 Bot chord: 2x4 SP #2;
 Webs: 2x4 SP #3;

Bracing
 (a) Continuous lateral restraint equally spaced on member.

Special Loads
 -----(Lumber Dur.Fac.=1.25 / Plate Dur.Fac.=1.25)
 TC: From 61 plf at -1.54 to 61 plf at 4.96
 TC: From 30 plf at 4.96 to 30 plf at 8.90
 TC: From 64 plf at 8.90 to 64 plf at 36.46
 BC: From 4 plf at -1.54 to 4 plf at 0.00
 BC: From 20 plf at 0.00 to 20 plf at 5.02
 BC: From 10 plf at 5.02 to 10 plf at 7.02
 BC: From 20 plf at 7.02 to 20 plf at 34.92
 BC: From 5 plf at 34.92 to 5 plf at 36.46
 TC: 121 lb Conc. Load at 5.02, 7.02
 BC: 86 lb Conc. Load at 5.02, 7.02

Wind
 Wind loads and reactions based on MWFRS.
 Right end vertical not exposed to wind pressure.
 Wind loading based on both gable and hip roof types.

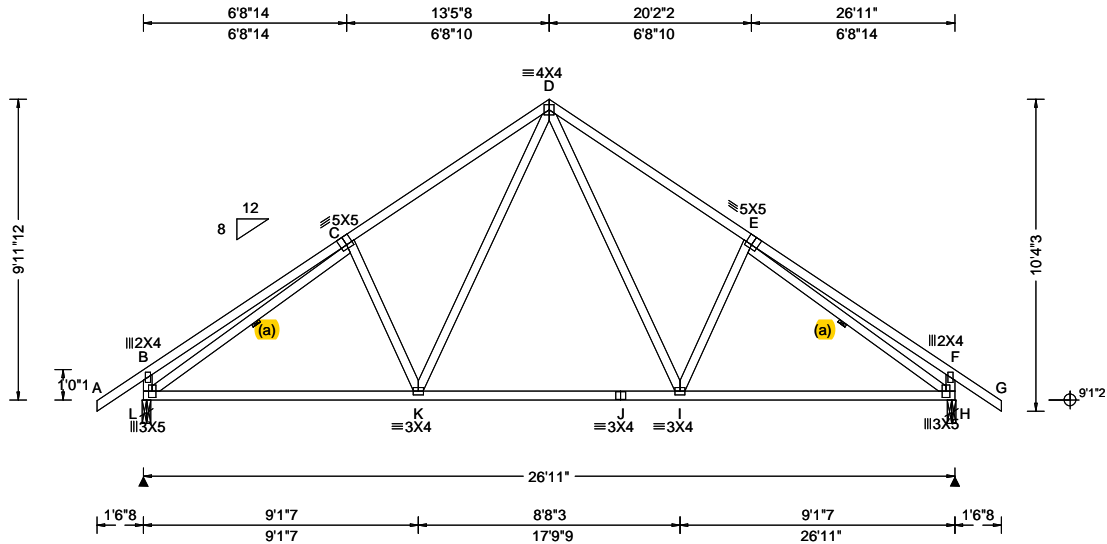
Additional Notes
 The overall height of this truss excluding overhang is 9-11-12.



COA #0278
 02/12/2026
 Florida Certificate of Product Approval #FL 1999

****WARNING** READ AND FOLLOW ALL NOTES ON THIS DRAWING!**
****IMPORTANT** FURNISH THIS DRAWING TO ALL CONTRACTORS INCLUDING THE INSTALLERS**
 Trusses require extreme care in fabricating, handling, shipping, installing and bracing. Refer to and follow the latest edition of BCSI (Building Component Safety Information, by TPI and SBCA) for safety practices prior to performing these functions. Installers shall provide temporary bracing per BCSI. Unless noted otherwise, top chord shall have properly attached structural sheathing and bottom chord shall have a properly attached rigid ceiling. Locations shown for permanent lateral restraint of webs shall have continuous lateral restraint (CLR), installed with diagonal bracing installed on the CLR per BCSI sections B3, B7, or B10, as applicable. Apply plates to each face of truss and position as shown above and on the Joint Details, unless noted otherwise. Refer to drawings 160A-Z for standard plate positions. Refer to job's General Notes page for additional information.
 Alpine, a division of ITW Building Components Group Inc. shall not be responsible for any deviation from this drawing, any failure to build the truss in conformance with ANSI/TPI 1, or for handling, shipping, installation and bracing of trusses. A seal on this drawing or cover page listing this drawing, indicates acceptance of professional engineering responsibility solely for the design shown. The suitability and use of this drawing for any structure is the responsibility of the Building Designer per ANSI/TPI 1 Sec.2.
 For more information see these web sites: Alpine: alpineitw.com; TPI: tpinst.org; SBCA: sbcacomponents.com; ICC: iccsafe.org; AWC: awc.org





Loading Criteria (psf) TCLL: 20.00 TCDL: 10.00 BCLL: 0.00 BCDL: 10.00 Des Ld: 40.00 NCBCLL: 10.00 Soffit: 2.00 Load Duration: 1.25 Spacing: 24.0 "	Wind Criteria Wind Std: ASCE 7-22 Speed: 130 mph Enclosure: Enclosed Risk Category: II EXP: B Kzt: NA Mean Height: 15.00 ft TCDL: 5.0 psf BCDL: 5.0 psf MWFRS Parallel Dist: 0 to h/2 C&C Dist a: 3.00 ft Loc. from endwall: Any GCp: 0.18 Wind Duration: 1.60	Snow Criteria (Pg,Pf in PSF) Pg: NA Ct: NA CAT: NA Pf: NA Ce: NA Lu: NA Cs: NA Snow Duration: NA Building Code: FBC 8th Ed. 2023 Res. TPI Std: 2014 Rep Fac: Yes FT/RT:20(0)/10(0) Plate Type(s): WAVE	Defl/CSI Criteria PP Deflection in loc L/defl L/# VERT(LL): 0.057 I 999 360 VERT(CL): 0.108 I 999 240 HORZ(LL): 0.035 F - - HORZ(TL): 0.066 F - - Creep Factor: 2.0 Max TC CSI: 0.515 Max BC CSI: 0.844 Max Web CSI: 0.567 VIEW Ver: 24.02.00D.0114.10	▲ Maximum Reactions (lbs) Gravity Non-Gravity Loc R+ / R- / Rh / Rw / U / RL L 1339 /- /- /656 /35 /169 H 1339 /- /- /656 /35 /- Wind reactions based on MWFRS L Brg Wid = 3.0 Min Req = 1.6 (Truss) H Brg Wid = 3.0 Min Req = 1.6 (Truss) Bearings L & H are a rigid surface. Members not listed have forces less than 375# Maximum Top Chord Forces Per Ply (lbs) Chords Tens.Comp. Chords Tens. Comp. C - D 256 -1515 D - E 256 -1515
--------------------------------------------------------------------------------------------------------------------------------------------------------------------------------------	--------------------------------------------------------------------------------------------------------------------------------------------------------------------------------------------------------------------------------------------------------------------------------------------------------------	----------------------------------------------------------------------------------------------------------------------------------------------------------------------------------------------------------------------------------------------------	-------------------------------------------------------------------------------------------------------------------------------------------------------------------------------------------------------------------------------------------------------------------------------------------------	--------------------------------------------------------------------------------------------------------------------------------------------------------------------------------------------------------------------------------------------------------------------------------------------------------------------------------------------------------------------------------------------------------------------------------------------------------------------------------------------

Lumber

Top chord: 2x4 SP #2;
Bot chord: 2x4 SP #2;
Webs: 2x4 SP #3;

Bracing

(a) Continuous lateral restraint equally spaced on member.

Loading

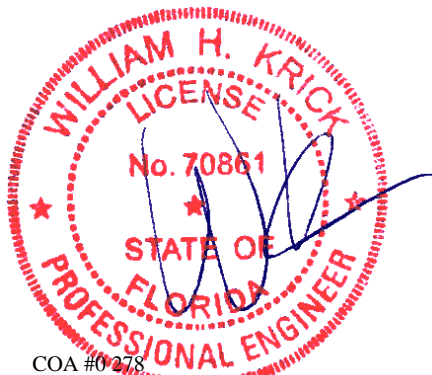
Truss passed check for 20 psf additional bottom chord live load in areas with 42"-high x 24"-wide clearance.

Wind

Wind loads based on MWFRS with additional C&C member design.
End verticals not exposed to wind pressure.
Wind loading based on both gable and hip roof types.

Additional Notes

The overall height of this truss excluding overhang is 9-11-12.

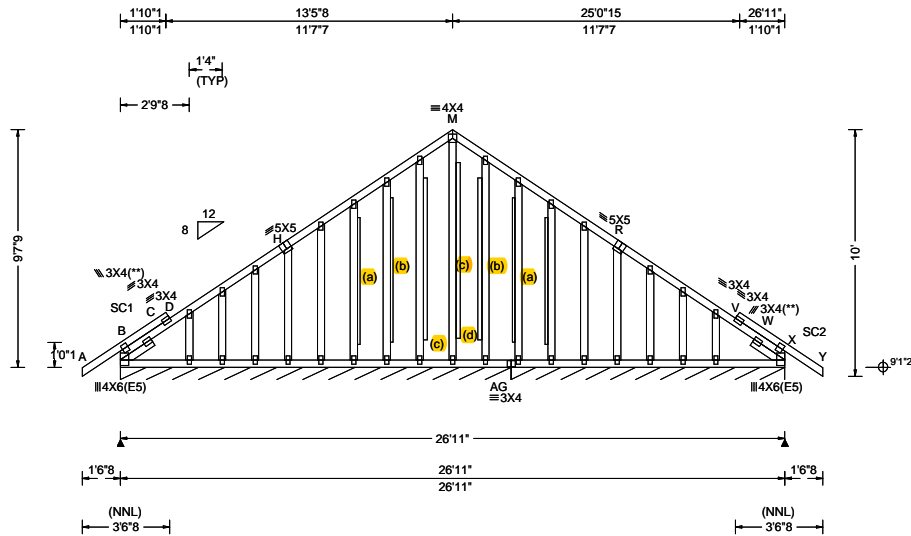


COA #0278

Florida Certificate of Product Approval #FL 1999

****WARNING** READ AND FOLLOW ALL NOTES ON THIS DRAWING!**
****IMPORTANT** FURNISH THIS DRAWING TO ALL CONTRACTORS INCLUDING THE INSTALLERS**
Trusses require extreme care in fabricating, handling, shipping, installing and bracing. Refer to and follow the latest edition of BCSI (Building Component Safety Information, by TPI and SBCA) for safety practices prior to performing these functions. Installers shall provide temporary bracing per BCSI. Unless noted otherwise, top chord shall have properly attached structural sheathing and bottom chord shall have a properly attached rigid ceiling. Locations shown for permanent lateral restraint of webs shall have continuous lateral restraint (CLR), installed with diagonal bracing installed on the CLR per BCSI sections B3, B7, or B10, as applicable. Apply plates to each face of truss and position as shown above and on the Joint Details, unless noted otherwise. Refer to drawings 160A-Z for standard plate positions. Refer to job's General Notes page for additional information.
Alpine, a division of ITW Building Components Group Inc. shall not be responsible for any deviation from this drawing, any failure to build the truss in conformance with ANSI/TPI 1, or for handling, shipping, installation and bracing of trusses. A seal on this drawing or cover page listing this drawing, indicates acceptance of professional engineering responsibility solely for the design shown. The suitability and use of this drawing for any structure is the responsibility of the Building Designer per ANSI/TPI 1 Sec.2.
For more information see these web sites: Alpine: alpineitw.com; TPI: tpinst.org; SBCA: sbcacomponents.com; ICC: iccsafe.org; AWC: awc.org





Loading Criteria (psf)	Wind Criteria	Snow Criteria (Pg, Pf in PSF)	Defl/CSI Criteria	▲ Maximum Reactions (lbs), or *=PLF
TCLL: 20.00 TCDL: 10.00 BCLL: 0.00 BCDL: 10.00 Des Ld: 40.00 NCBCLL: 10.00 Soffit: 2.00 Load Duration: 1.25 Spacing: 24.0 "	Wind Std: ASCE 7-22 Speed: 130 mph Enclosure: Enclosed Risk Category: II EXP: B Kzt: NA Mean Height: 15.00 ft TCDL: 5.0 psf BCDL: 5.0 psf MWFRS Parallel Dist: 0 to h/2 C&C Dist a: 3.00 ft Loc. from endwall: Any GCpi: 0.18 Wind Duration: 1.60	Pg: NA Ct: NA CAT: NA Pf: NA Ce: NA Lu: NA Cs: NA Snow Duration: NA Building Code: FBC 8th Ed. 2023 Res. TPI Std: 2014 Rep Fac: No FT/RT:20(0)/10(0) Plate Type(s): WAVE	PP Deflection in loc L/defl L/# VERT(LL): 0.003 B 999 360 VERT(CL): 0.004 D 999 240 HORZ(LL): -0.002 X - - HORZ(TL): 0.007 W - - Creep Factor: 2.0 Max TC CSI: 0.337 Max BC CSI: 0.050 Max Web CSI: 0.995 VIEW Ver: 24.02.00D.0114.10	Gravity Non-Gravity Loc R+ / R- / Rh / Rw / U / RL B* 142 /- /- /63 /0 /15 AG*148 /- /- /70 /16 /- Wind reactions based on MWFRS B Brg Wid = 190 Min Req = - AG Brg Wid = 133 Min Req = - Bearings B & AG are a rigid surface. Members not listed have forces less than 375#

Lumber
Top chord: 2x4 SP #2;
Bot chord: 2x4 SP #2;
Webs: 2x4 SP #3;
Stack Chord: SC1 2x4 SP #2;
Stack Chord: SC2 2x4 SP #2;
Lt Slider: 2x4 SP #3; block length = 1.500'
Rt Slider: 2x4 SP #3; block length = 1.500'

Plating Notes
All plates are 2X4 except as noted.
(**) 2 plate(s) require special positioning. Refer to scaled plate plot details for special positioning requirements.

Loading
Truss designed to support 1-4-0 top chord outlookers and cladding load not to exceed 5.00 PSF one face and 24.0" span opposite face. Top chord must not be cut or notched, unless specified otherwise.

Purlins
In lieu of structural panels use purlins to brace TC @ 24" oc.

Wind
Wind loads based on MWFRS with additional C&C member design.
Wind loading based on both gable and hip roof types.
Gable meets L/120 deflection criteria for wind load applied to face. Calculated deflection ratio is L/266.

Gable Reinforcement

(a) 1x4 "L" reinforcement. Same species and grade as web. 80% length of web member. Attach with 10d (0.131"x3", min.) nails @ 2" oc at each end for the first 18" and then 4" oc for the remainder.

(b) 1x4 SP/DF #2 or better "L" reinforcement. 80% length of web member. Attach with 10d (0.131"x3", min.) nails @ 2" oc at each end for the first 18" and then 4" oc for the remainder.

(c) 2x4 "L" reinforcement. Any species and grade. 80% length of web member. Attach with 10d (0.131"x3", min.) nails @ 2" oc at each end for the first 18" and then 4" oc for the remainder.

(d) 2x6 "L" reinforcement. Any species and grade. 80% length of web member. Attach with 10d (0.131"x3", min.) nails @ 2" oc at each end for the first 18" and then 4" oc for the remainder.



COA #0278
02/12/2026
Florida Certificate of Product Approval #FL 1999

****WARNING** READ AND FOLLOW ALL NOTES ON THIS DRAWING!**
****IMPORTANT** FURNISH THIS DRAWING TO ALL CONTRACTORS INCLUDING THE INSTALLERS**
Trusses require extreme care in fabricating, handling, shipping, installing and bracing. Refer to and follow the latest edition of BCSI (Building Component Safety Information, by TPI and SBCA) for safety practices prior to performing these functions. Installers shall provide temporary bracing per BCSI. Unless noted otherwise, top chord shall have properly attached structural sheathing and bottom chord shall have a properly attached rigid ceiling. Locations shown for permanent lateral restraint of webs shall have continuous lateral restraint (CLR), installed with diagonal bracing installed on the CLR per BCSI sections B3, B7, or B10, as applicable. Apply plates to each face of truss and position as shown above and on the Joint Details, unless noted otherwise. Refer to drawings 160A-Z for standard plate positions. Refer to job's General Notes page for additional information.
Alpine, a division of ITW Building Components Group Inc. shall not be responsible for any deviation from this drawing, any failure to build the truss in conformance with ANSI/TPI 1, or for handling, shipping, installation and bracing of trusses. A seal on this drawing or cover page listing this drawing, indicates acceptance of professional engineering responsibility solely for the design shown. The suitability and use of this drawing for any structure is the responsibility of the Building Designer per ANSI/TPI 1 Sec.2.
For more information see these web sites: Alpine: alpineitw.com; TPI: tpinst.org; SBCA: sbcacomponents.com; ICC: iccsafe.org; AWC: awc.org



SEQN: 725641	GABL	Ply: 1	Job Number: 25-2668B	Cust: R215 JRef: 1YHK2150006 T62
FROM: RFG		Qty: 1	THOMAS RESIDENCE	DrwNo: 043.26.1036.32720
Page 2 of 2			Truss Label: H1E	GA / WHK 02/12/2026

Additional Notes

Exposed portion of gable face shall be reinforced with sheathing and the wind pressures shall be transferred into lateral diaphragms. Connections and designs for diaphragms is the responsibility of the Building Designer in accordance with ANSI/TPI 1.

Stacked top chord must NOT be notched or cut in area (NNL). Dropped top chord braced at 24" oc intervals. Attach stacked top chord (SC) to dropped top chord in noticable area using 3x4 tie-plates 24" oc. Center plate on stacked/dropped chord interface, plate length perpendicular to chord length. Splice top chord in noticable area using 3x6.

The overall height of this truss excluding overhang is 9-7-9.

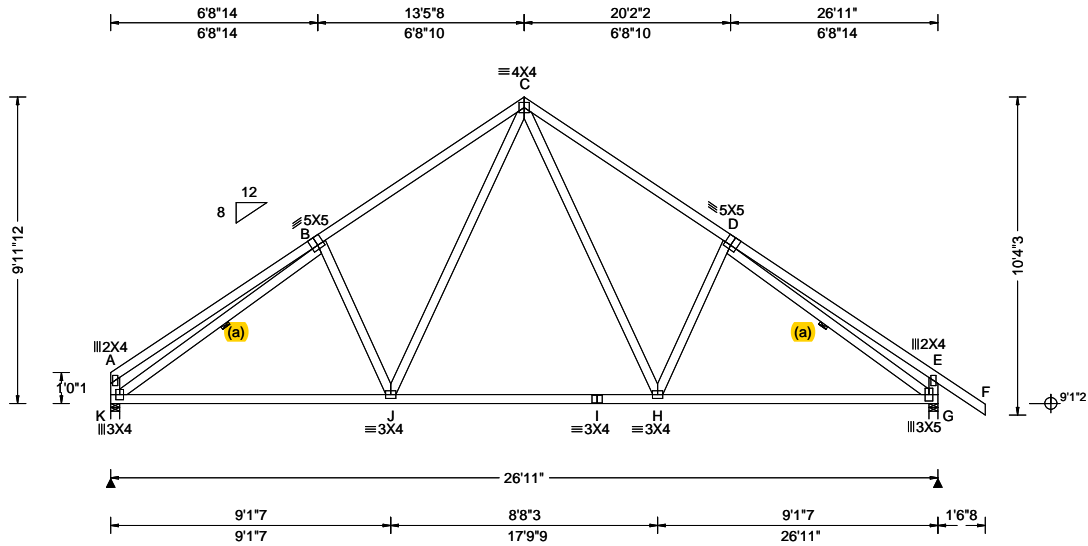


COA #0278

02/12/2026
Florida Certificate of Product Approval #FL 1999

****WARNING** READ AND FOLLOW ALL NOTES ON THIS DRAWING!**
****IMPORTANT** FURNISH THIS DRAWING TO ALL CONTRACTORS INCLUDING THE INSTALLERS**
 Trusses require extreme care in fabricating, handling, shipping, installing and bracing. Refer to and follow the latest edition of BCSI (Building Component Safety Information, by TPI and SBCA) for safety practices prior to performing these functions. Installers shall provide temporary bracing per BCSI. Unless noted otherwise, top chord shall have properly attached structural sheathing and bottom chord shall have a properly attached rigid ceiling. Locations shown for permanent lateral restraint of webs shall have continuous lateral restraint (CLR), installed with diagonal bracing installed on the CLR per BCSI sections B3, B7, or B10, as applicable. Apply plates to each face of truss and position as shown above and on the Joint Details, unless noted otherwise. Refer to drawings 160A-Z for standard plate positions. Refer to job's General Notes page for additional information.
 Alpine, a division of ITW Building Components Group Inc. shall not be responsible for any deviation from this drawing, any failure to build the truss in conformance with ANSI/TPI 1, or for handling, shipping, installation and bracing of trusses. A seal on this drawing or cover page listing this drawing, indicates acceptance of professional engineering responsibility solely for the design shown. The suitability and use of this drawing for any structure is the responsibility of the Building Designer per ANSI/TPI 1 Sec.2.
 For more information see these web sites: Alpine: alpineitw.com; TPI: tpinst.org; SBCA: sbcacomponents.com; ICC: iccsafe.org; AWC: awc.org





Loading Criteria (psf) TCLL: 20.00 TCDL: 10.00 BCLL: 0.00 BCDL: 10.00 Des Ld: 40.00 NCBCLL: 10.00 Soffit: 2.00 Load Duration: 1.25 Spacing: 24.0 "	Wind Criteria Wind Std: ASCE 7-22 Speed: 130 mph Enclosure: Enclosed Risk Category: II EXP: B Kzt: NA Mean Height: 15.00 ft TCDL: 5.0 psf BCDL: 5.0 psf MWFRS Parallel Dist: h to 2h C&C Dist a: 3.00 ft Loc. from endwall: not in 9.00 ft GCp: 0.18 Wind Duration: 1.60	Snow Criteria (Pg,Pf in PSF) Pg: NA Ct: NA CAT: NA Pf: NA Ce: NA Lu: NA Cs: NA Snow Duration: NA Building Code: FBC 8th Ed. 2023 Res. TPI Std: 2014 Rep Fac: Yes FT/RT:20(0)/10(0) Plate Type(s): WAVE	Defl/CSI Criteria PP Deflection in loc L/defl L/# VERT(LL): 0.057 J 999 360 VERT(CL): 0.108 J 999 240 HORZ(LL): 0.035 E - - HORZ(TL): 0.067 E - - Creep Factor: 2.0 Max TC CSI: 0.560 Max BC CSI: 0.845 Max Web CSI: 0.569 VIEW Ver: 24.02.00D.0114.10	▲ Maximum Reactions (lbs) Gravity Non-Gravity Loc R+ / R- / Rh / Rw / U / RL K 1230 - / - / /636 - / /181 G 1342 - / - / /657 - / - Wind reactions based on MWFRS K Brg Wid = 3.5 Min Req = 1.5 (Truss) G Brg Wid = 3.5 Min Req = 1.6 (Truss) Bearings K & G are a rigid surface. Members not listed have forces less than 375# Maximum Top Chord Forces Per Ply (lbs) Chords Tens.Comp. Chords Tens. Comp. B - C 166 -1528 C - D 163 -1521 Maximum Bot Chord Forces Per Ply (lbs) Chords Tens.Comp. Chords Tens. Comp. K - J 1295 0 I - H 910 0 J - I 910 0 H - G 1284 0 Maximum Web Forces Per Ply (lbs) Webs Tens.Comp. Webs Tens. Comp. K - B 18 -1466 C - H 614 -40 J - C 627 -42 D - G 0 -1481
--------------------------------------------------------------------------------------------------------------------------------------------------------------------------------------	------------------------------------------------------------------------------------------------------------------------------------------------------------------------------------------------------------------------------------------------------------------------------------------------------------------------	----------------------------------------------------------------------------------------------------------------------------------------------------------------------------------------------------------------------------------------------------	-------------------------------------------------------------------------------------------------------------------------------------------------------------------------------------------------------------------------------------------------------------------------------------------------	------------------------------------------------------------------------------------------------------------------------------------------------------------------------------------------------------------------------------------------------------------------------------------------------------------------------------------------------------------------------------------------------------------------------------------------------------------------------------------------------------------------------------------------------------------------------------------------------------------------------------------------------------------------------------------------------------------------------------------------------------------------------------------------------------

Lumber

Top chord: 2x4 SP #2;
Bot chord: 2x4 SP #2;
Webs: 2x4 SP #3;

Bracing

(a) Continuous lateral restraint equally spaced on member.

Loading

Truss passed check for 20 psf additional bottom chord live load in areas with 42"-high x 24"-wide clearance.

Wind

Wind loads based on MWFRS with additional C&C member design.
End verticals not exposed to wind pressure.
Wind loading based on both gable and hip roof types.

Additional Notes

The overall height of this truss excluding overhang is 9-11-12.

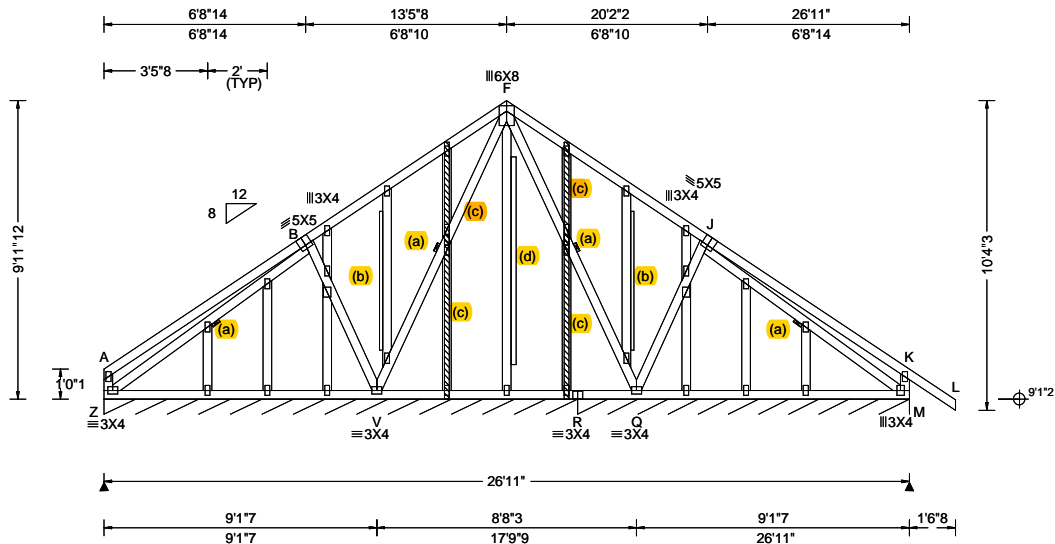


COA #0278

02/12/2008
Florida Certificate of Product Approval #FL 1999

****WARNING** READ AND FOLLOW ALL NOTES ON THIS DRAWING!**
****IMPORTANT** FURNISH THIS DRAWING TO ALL CONTRACTORS INCLUDING THE INSTALLERS**
Trusses require extreme care in fabricating, handling, shipping, installing and bracing. Refer to and follow the latest edition of BCSI (Building Component Safety Information, by TPI and SBCA) for safety practices prior to performing these functions. Installers shall provide temporary bracing per BCSI. Unless noted otherwise, top chord shall have properly attached structural sheathing and bottom chord shall have a properly attached rigid ceiling. Locations shown for permanent lateral restraint of webs shall have continuous lateral restraint (CLR), installed with diagonal bracing installed on the CLR per BCSI sections B3, B7, or B10, as applicable. Apply plates to each face of truss and position as shown above and on the Joint Details, unless noted otherwise. Refer to drawings 160A-Z for standard plate positions. Refer to job's General Notes page for additional information.
Alpine, a division of ITW Building Components Group Inc. shall not be responsible for any deviation from this drawing, any failure to build the truss in conformance with ANSI/TPI 1, or for handling, shipping, installation and bracing of trusses. A seal on this drawing or cover page listing this drawing, indicates acceptance of professional engineering responsibility solely for the design shown. The suitability and use of this drawing for any structure is the responsibility of the Building Designer per ANSI/TPI 1 Sec.2.
For more information see these web sites: Alpine: alpineitw.com; TPI: tpinst.org; SBCA: sbcacomponents.com; ICC: iccsafe.org; AWC: awc.org





Loading Criteria (psf) TCCL: 20.00 TCCL: 10.00 BCLL: 0.00 BCDL: 10.00 Des Ld: 40.00 NCBCLL: 10.00 Soffit: 2.00 Load Duration: 1.25 Spacing: 24.0 "	Wind Criteria Wind Std: ASCE 7-22 Speed: 130 mph Enclosure: Enclosed Risk Category: II EXP: B Kzt: NA Mean Height: 15.00 ft TCCL: 5.0 psf BCDL: 5.0 psf MWFRS Parallel Dist: 0 to h/2 C&C Dist a: 3.00 ft Loc. from endwall: not in 9.00 ft GCp: 0.18 Wind Duration: 1.60	Snow Criteria (Pg,Pf in PSF) Pg: NA Ct: NA CAT: NA Pf: NA Ce: NA Lu: NA Cs: NA Snow Duration: NA Building Code: FBC 8th Ed. 2023 Res. TPI Std: 2014 Rep Fac: No FT/RT:20(0)/10(0) Plate Type(s): WAVE	Defl/CSI Criteria PP Deflection in loc L/defl L/# VERT(LL): 0.003 H 999 360 VERT(CL): 0.008 H 999 240 HORZ(LL): 0.002 D - - HORZ(TL): 0.004 D - - Creep Factor: 2.0 Max TC CSI: 0.558 Max BC CSI: 0.097 Max Web CSI: 0.963 VIEW Ver: 24.02.00D.0114.10	▲ Maximum Reactions (lbs), or *=PLF <table style="width:100%; border-collapse: collapse;"> <thead> <tr> <th colspan="2"></th> <th colspan="3">Gravity</th> <th colspan="3">Non-Gravity</th> </tr> <tr> <th>Loc</th> <th>R+</th> <th>/R-</th> <th>/Rh</th> <th>/Rw</th> <th>/U</th> <th>/RL</th> <th></th> </tr> </thead> <tbody> <tr> <td>Z*</td> <td>90</td> <td>/-</td> <td>/-</td> <td>/51</td> <td>/-</td> <td>/11</td> <td></td> </tr> <tr> <td>R*</td> <td>84</td> <td>/-</td> <td>/-</td> <td>/47</td> <td>/-</td> <td>/-</td> <td></td> </tr> </tbody> </table> <p>Wind reactions based on MWFRS Z Brg Wid = 190 Min Req = - R Brg Wid = 133 Min Req = - Bearings Z & R are a rigid surface. Members not listed have forces less than 375# Maximum Web Forces Per Ply (lbs)</p> <table style="width:100%; border-collapse: collapse;"> <thead> <tr> <th>Webs</th> <th>Tens.Comp.</th> <th>Webs</th> <th>Tens. Comp.</th> </tr> </thead> <tbody> <tr> <td>B - V</td> <td>186</td> <td>-449</td> <td>Q - J</td> </tr> <tr> <td></td> <td></td> <td></td> <td>168 -410</td> </tr> </tbody> </table>			Gravity			Non-Gravity			Loc	R+	/R-	/Rh	/Rw	/U	/RL		Z*	90	/-	/-	/51	/-	/11		R*	84	/-	/-	/47	/-	/-		Webs	Tens.Comp.	Webs	Tens. Comp.	B - V	186	-449	Q - J				168 -410
		Gravity			Non-Gravity																																											
Loc	R+	/R-	/Rh	/Rw	/U	/RL																																										
Z*	90	/-	/-	/51	/-	/11																																										
R*	84	/-	/-	/47	/-	/-																																										
Webs	Tens.Comp.	Webs	Tens. Comp.																																													
B - V	186	-449	Q - J																																													
			168 -410																																													

Lumber
 Top chord: 2x4 SP #2;
 Bot chord: 2x4 SP #2;
 Webs: 2x4 SP #3;

Bracing
 (a) Continuous lateral restraint equally spaced on member.

Plating Notes
 All plates are 2X4 except as noted.

Loading
 Truss designed to support 0-0-0 top chord outlookers and cladding load not to exceed 5.00 PSF one face and 24.0" span opposite face. Top chord must not be cut or notched, unless specified otherwise.

Wind
 Wind loads based on MWFRS with additional C&C member design.
 End verticals not exposed to wind pressure.
 Wind loading based on both gable and hip roof types.
 Gable meets L/120 deflection criteria for wind load applied to face. Calculated deflection ratio is L/194.

Gable Reinforcement

(b) 1x4 SP/DF #2 or better "L" reinforcement. 80% length of web member. Attach with 10d (0.131"x3",min.) nails @ 2" oc at each end for the first 18" and then 4" oc for the remainder.

(c) 2x3 "T" reinforcement. Same species and grade as web. Full truss height along web member. Attach to the wide face with 10d (0.131"x3",min.) nails @ 4" oc in the web plus (2)10d (0.131"x3",min.) nails in each chord.

(d) 2x6 "L" reinforcement. Any species and grade. 80% length of web member. Attach with 10d (0.131"x3",min.) nails @ 2" oc at each end for the first 18" and then 4" oc for the remainder.



COA #0278
 02/12/2006
 Florida Certificate of Product Approval #FL 1999

****WARNING** READ AND FOLLOW ALL NOTES ON THIS DRAWING!**
****IMPORTANT** FURNISH THIS DRAWING TO ALL CONTRACTORS INCLUDING THE INSTALLERS**
 Trusses require extreme care in fabricating, handling, shipping, installing and bracing. Refer to and follow the latest edition of BCSI (Building Component Safety Information, by TPI and SBCA) for safety practices prior to performing these functions. Installers shall provide temporary bracing per BCSI. Unless noted otherwise, top chord shall have properly attached structural sheathing and bottom chord shall have a properly attached rigid ceiling. Locations shown for permanent lateral restraint of webs shall have continuous lateral restraint (CLR), installed with diagonal bracing installed on the CLR per BCSI sections B3, B7, or B10, as applicable. Apply plates to each face of truss and position as shown above and on the Joint Details, unless noted otherwise. Refer to drawings 160A-Z for standard plate positions. Refer to job's General Notes page for additional information.
 Alpine, a division of ITW Building Components Group Inc. shall not be responsible for any deviation from this drawing, any failure to build the truss in conformance with ANSI/TPI 1, or for handling, shipping, installation and bracing of trusses. A seal on this drawing or cover page listing this drawing, indicates acceptance of professional engineering responsibility solely for the design shown. The suitability and use of this drawing for any structure is the responsibility of the Building Designer per ANSI/TPI 1 Sec.2.
 For more information see these web sites: Alpine: alpineitw.com; TPI: tpinst.org; SBCA: sbccomponents.com; ICC: iccsafe.org; AWC: awc.org

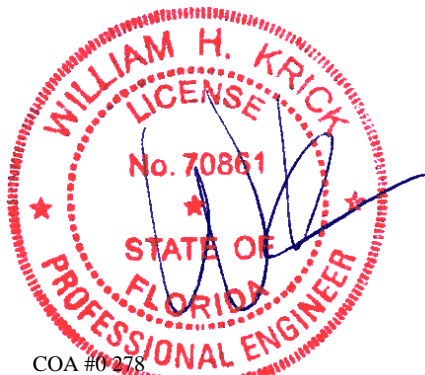


SEQN: 725648	GABL	Ply: 1	Job Number: 25-2668B	Cust: R215 JRef: 1YHK2150006 T25
FROM: RFG		Qty: 1	THOMAS RESIDENCE	DrwNo: 043.26.1036.39583
Page 2 of 2			Truss Label: H2E	GA / WHK 02/12/2026

Additional Notes

Exposed portion of gable face shall be reinforced with sheathing and the wind pressures shall be transferred into lateral diaphragms. Connections and designs for diaphragms is the responsibility of the Building Designer in accordance with ANSI/TPI 1.

The overall height of this truss excluding overhang is 9-11-12.

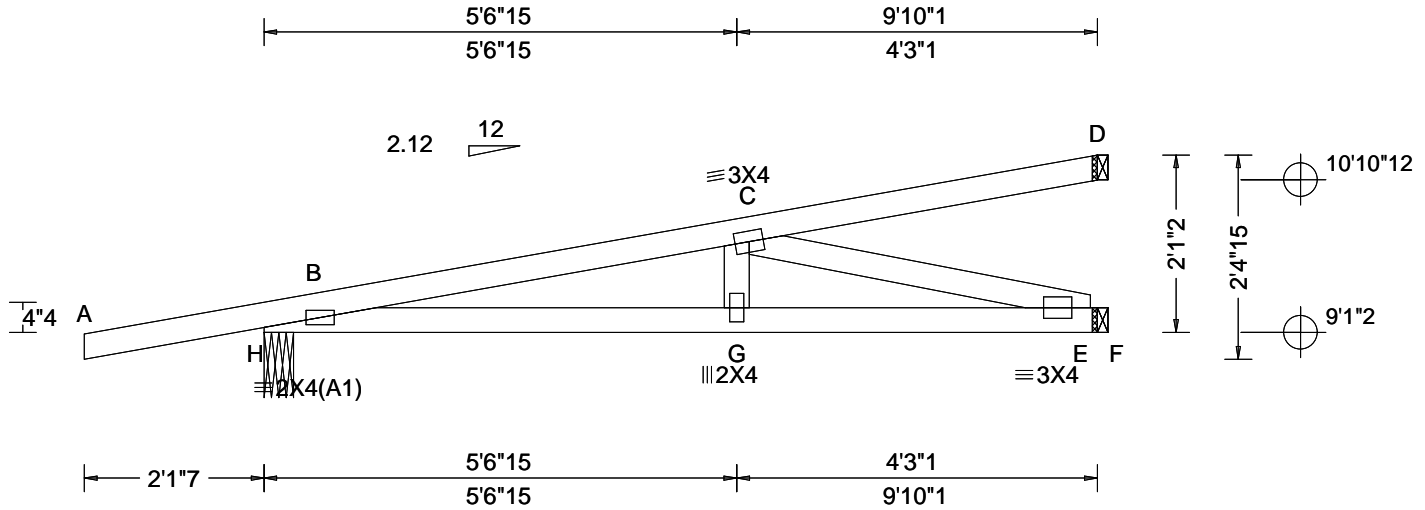


COA #0278

02/12/2026
Florida Certificate of Product Approval #FL 1999

****WARNING** READ AND FOLLOW ALL NOTES ON THIS DRAWING!**
****IMPORTANT** FURNISH THIS DRAWING TO ALL CONTRACTORS INCLUDING THE INSTALLERS**
 Trusses require extreme care in fabricating, handling, shipping, installing and bracing. Refer to and follow the latest edition of BCSI (Building Component Safety Information, by TPI and SBCA) for safety practices prior to performing these functions. Installers shall provide temporary bracing per BCSI. Unless noted otherwise, top chord shall have properly attached structural sheathing and bottom chord shall have a properly attached rigid ceiling. Locations shown for permanent lateral restraint of webs shall have continuous lateral restraint (CLR), installed with diagonal bracing installed on the CLR per BCSI sections B3, B7, or B10, as applicable. Apply plates to each face of truss and position as shown above and on the Joint Details, unless noted otherwise. Refer to drawings 160A-Z for standard plate positions. Refer to job's General Notes page for additional information.
 Alpine, a division of ITW Building Components Group Inc. shall not be responsible for any deviation from this drawing, any failure to build the truss in conformance with ANSI/TPI 1, or for handling, shipping, installation and bracing of trusses. A seal on this drawing or cover page listing this drawing, indicates acceptance of professional engineering responsibility solely for the design shown. The suitability and use of this drawing for any structure is the responsibility of the Building Designer per ANSI/TPI 1 Sec.2.
 For more information see these web sites: Alpine: alpineitw.com; TPI: tpinst.org; SBCA: sbcacomponents.com; ICC: iccsafe.org; AWC: awc.org





Loading Criteria (psf) TCLL: 20.00 TCCL: 10.00 BCLL: 0.00 BCDL: 10.00 Des Ld: 40.00 NCBCLL: 10.00 Soffit: 2.00 Load Duration: 1.25 Spacing: 24.0 "	Wind Criteria Wind Std: ASCE 7-22 Speed: 130 mph Enclosure: Enclosed Risk Category: II EXP: B Kzt: NA Mean Height: 15.00 ft TCCL: 5.0 psf BCDL: 5.0 psf MWFRS Parallel Dist: 0 to h/2 C&C Dist a: 3.00 ft Loc. from endwall: not in 4.50 ft GCp: 0.18 Wind Duration: 1.60	Snow Criteria (Pg,Pf in PSF) Pg: NA Ct: NA CAT: NA Pf: NA Ce: NA Lu: NA Cs: NA Snow Duration: NA Building Code: FBC 8th Ed. 2023 Res. TPI Std: 2014 Rep Fac: No FT/RT:20(0)/10(0) Plate Type(s): WAVE	Defl/CSI Criteria PP Deflection in loc L/defl L/# VERT(LL): 0.042 G 999 360 VERT(CL): 0.085 G 999 240 HORZ(LL): 0.008 F - - HORZ(TL): 0.017 F - - Creep Factor: 2.0 Max TC CSI: 0.456 Max BC CSI: 0.631 Max Web CSI: 0.442 VIEW Ver: 24.02.00D.0114.10	▲ Maximum Reactions (lbs) <table border="1"> <thead> <tr> <th rowspan="2">Loc</th> <th colspan="3">Gravity</th> <th colspan="3">Non-Gravity</th> </tr> <tr> <th>R+</th> <th>/R-</th> <th>/Rh</th> <th>/Rw</th> <th>/U</th> <th>/RL</th> </tr> </thead> <tbody> <tr> <td>H</td> <td>359</td> <td>-</td> <td>-</td> <td>-</td> <td>/23</td> <td>-</td> </tr> <tr> <td>E</td> <td>331</td> <td>-</td> <td>-</td> <td>/1</td> <td>-</td> <td>-</td> </tr> <tr> <td>D</td> <td>64</td> <td>-</td> <td>-</td> <td>-</td> <td>/9</td> <td>-</td> </tr> </tbody> </table>						Loc	Gravity			Non-Gravity			R+	/R-	/Rh	/Rw	/U	/RL	H	359	-	-	-	/23	-	E	331	-	-	/1	-	-	D	64	-	-	-	/9	-
				Loc	Gravity			Non-Gravity																																			
R+	/R-	/Rh	/Rw		/U	/RL																																					
H	359	-	-	-	/23	-																																					
E	331	-	-	/1	-	-																																					
D	64	-	-	-	/9	-																																					
Maximum Top Chord Forces Per Ply (lbs) Chords Tens.Comp.				Wind reactions based on MWFRS H Brg Wid = 4.2 Min Req = 1.5 (Truss) E Brg Wid = 1.5 Min Req = - D Brg Wid = 1.5 Min Req = - Bearing H is a rigid surface. Members not listed have forces less than 375#																																							

Lumber

Top chord: 2x4 SP #2;
 Bot chord: 2x4 SP #2;
 Webs: 2x4 SP #3;

Special Loads

-----(Lumber Dur.Fac.=1.25 / Plate Dur.Fac.=1.25)
 TC: From 0 plf at -2.12 to 60 plf at 0.00
 TC: From 2 plf at 0.00 to 2 plf at 9.84
 BC: From 0 plf at -2.12 to 4 plf at 0.00
 BC: From 2 plf at 0.00 to 2 plf at 9.84
 TC: -8 lb Conc. Load at 1.38
 TC: 117 lb Conc. Load at 4.21
 TC: 242 lb Conc. Load at 7.03
 BC: 92 lb Conc. Load at 4.21
 BC: 172 lb Conc. Load at 7.03

Wind

Wind loads and reactions based on MWFRS.
 Wind loading based on both gable and hip roof types.

Additional Notes

The overall height of this truss excluding overhang is 2-1-2.

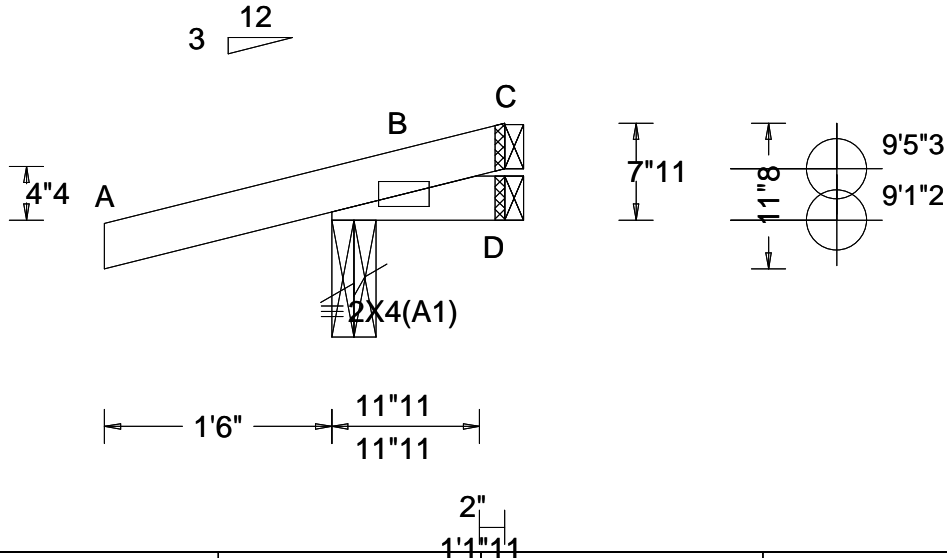


COA #0278

02/13/2026 Florida Certificate of Product Approval #FL 1999

****WARNING** READ AND FOLLOW ALL NOTES ON THIS DRAWING!**
****IMPORTANT** FURNISH THIS DRAWING TO ALL CONTRACTORS INCLUDING THE INSTALLERS**
 Trusses require extreme care in fabricating, handling, shipping, installing and bracing. Refer to and follow the latest edition of BCSI (Building Component Safety Information, by TPI and SBCA) for safety practices prior to performing these functions. Installers shall provide temporary bracing per BCSI. Unless noted otherwise, top chord shall have properly attached structural sheathing and bottom chord shall have a properly attached rigid ceiling. Locations shown for permanent lateral restraint of webs shall have continuous lateral restraint (CLR), installed with diagonal bracing installed on the CLR per BCSI sections B3, B7, or B10, as applicable. Apply plates to each face of truss and position as shown above and on the Joint Details, unless noted otherwise. Refer to drawings 160A-Z for standard plate positions. Refer to job's General Notes page for additional information.
 Alpine, a division of ITW Building Components Group Inc. shall not be responsible for any deviation from this drawing, any failure to build the truss in conformance with ANSI/TPI 1, or for handling, shipping, installation and bracing of trusses. A seal on this drawing or cover page listing this drawing, indicates acceptance of professional engineering responsibility solely for the design shown. The suitability and use of this drawing for any structure is the responsibility of the Building Designer per ANSI/TPI 1 Sec.2.
 For more information see these web sites: Alpine: alpineitw.com; TPI: tpinst.org; SBCA: sbcacomponents.com; ICC: iccsafe.org; AWC: awc.org





Loading Criteria (psf) TCLL: 20.00 TCDL: 10.00 BCLL: 0.00 BCDL: 10.00 Des Ld: 40.00 NCBCLL: 10.00 Soffit: 2.00 Load Duration: 1.25 Spacing: 24.0 "	Wind Criteria Wind Std: ASCE 7-22 Speed: 130 mph Enclosure: Enclosed Risk Category: II EXP: B Kzt: NA Mean Height: 15.00 ft TCCL: 5.0 psf BCDL: 5.0 psf MWFRS Parallel Dist: 0 to h/2 C&C Dist a: 3.00 ft Loc. from endwall: Any GCp: 0.18 Wind Duration: 1.60	Snow Criteria (Pg,Pf in PSF) Pg: NA Ct: NA CAT: NA Pf: NA Ce: NA Lu: NA Cs: NA Snow Duration: NA Building Code: FBC 8th Ed. 2023 Res. TPI Std: 2014 Rep Fac: Yes FT/RT:20(0)/10(0) Plate Type(s): WAVE	Defl/CSI Criteria PP Deflection in loc L/defl L/# VERT(LL): NA VERT(CL): NA HORZ(LL): -0.000 D - - HORZ(TL): 0.000 D - - Creep Factor: 2.0 Max TC CSI: 0.150 Max BC CSI: 0.021 Max Web CSI: 0.000 VIEW Ver: 24.02.00D.0114.10	▲ Maximum Reactions (lbs) <table border="1"> <thead> <tr> <th rowspan="2">Loc</th> <th colspan="3">Gravity</th> <th colspan="3">Non-Gravity</th> </tr> <tr> <th>R+</th> <th>/R-</th> <th>/Rh</th> <th>/Rw</th> <th>/U</th> <th>/RL</th> </tr> </thead> <tbody> <tr> <td>B</td> <td>237</td> <td>/-</td> <td>/-</td> <td>/75</td> <td>/63</td> <td>/18</td> </tr> <tr> <td>D</td> <td>4</td> <td>/-16</td> <td>/-</td> <td>/15</td> <td>/-</td> <td>/-</td> </tr> <tr> <td>C</td> <td>-</td> <td>/-32</td> <td>/-</td> <td>/20</td> <td>/4</td> <td>/-</td> </tr> </tbody> </table>	Loc	Gravity			Non-Gravity			R+	/R-	/Rh	/Rw	/U	/RL	B	237	/-	/-	/75	/63	/18	D	4	/-16	/-	/15	/-	/-	C	-	/-32	/-	/20	/4	/-
				Loc		Gravity			Non-Gravity																													
R+	/R-	/Rh	/Rw		/U	/RL																																
B	237	/-	/-	/75	/63	/18																																
D	4	/-16	/-	/15	/-	/-																																
C	-	/-32	/-	/20	/4	/-																																
				Wind reactions based on MWFRS B Brg Wid = 3.5 Min Req = 1.5 (Truss) D Brg Wid = 1.5 Min Req = - C Brg Wid = 1.5 Min Req = - Bearing B is a rigid surface. Members not listed have forces less than 375#																																		

Lumber

Top chord: 2x4 SP #2;
 Bot chord: 2x4 SP #2;

Wind

Wind loads based on MWFRS with additional C&C member design.
 Wind loading based on both gable and hip roof types.

Additional Notes

The overall height of this truss excluding overhang is 0-7-11.

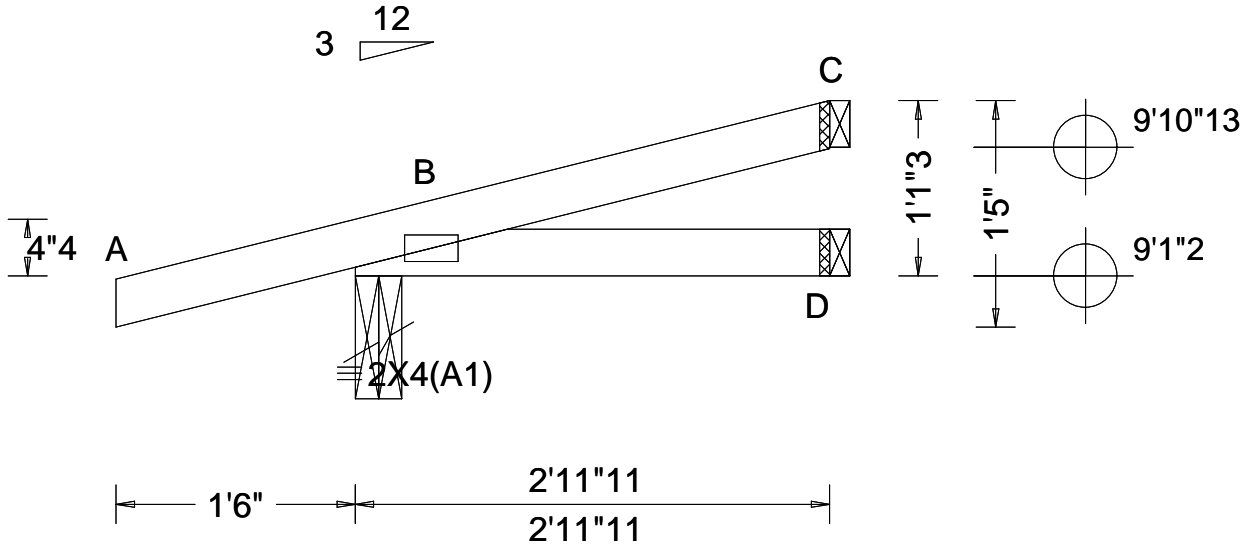


COA #0278

02/12/2026
 Florida Certificate of Product Approval #FL 1999

****WARNING** READ AND FOLLOW ALL NOTES ON THIS DRAWING!**
****IMPORTANT** FURNISH THIS DRAWING TO ALL CONTRACTORS INCLUDING THE INSTALLERS**
 Trusses require extreme care in fabricating, handling, shipping, installing and bracing. Refer to and follow the latest edition of BCSI (Building Component Safety Information, by TPI and SBCA) for safety practices prior to performing these functions. Installers shall provide temporary bracing per BCSI. Unless noted otherwise, top chord shall have properly attached structural sheathing and bottom chord shall have a properly attached rigid ceiling. Locations shown for permanent lateral restraint of webs shall have continuous lateral restraint (CLR), installed with diagonal bracing installed on the CLR per BCSI sections B3, B7, or B10, as applicable. Apply plates to each face of truss and position as shown above and on the Joint Details, unless noted otherwise. Refer to drawings 160A-Z for standard plate positions. Refer to job's General Notes page for additional information.
 Alpine, a division of ITW Building Components Group Inc. shall not be responsible for any deviation from this drawing, any failure to build the truss in conformance with ANSI/TPI 1, or for handling, shipping, installation and bracing of trusses. A seal on this drawing or cover page listing this drawing, indicates acceptance of professional engineering responsibility solely for the design shown. The suitability and use of this drawing for any structure is the responsibility of the Building Designer per ANSI/TPI 1 Sec.2.
 For more information see these web sites: Alpine: alpineitw.com; TPI: tpinst.org; SBCA: sbccomponents.com; ICC: iccsafe.org; AWC: awc.org





Loading Criteria (psf) TCCL: 20.00 TCDL: 10.00 BCLL: 0.00 BCDL: 10.00 Des Ld: 40.00 NCBCLL: 10.00 Soffit: 2.00 Load Duration: 1.25 Spacing: 24.0 "	Wind Criteria Wind Std: ASCE 7-22 Speed: 130 mph Enclosure: Enclosed Risk Category: II EXP: B Kzt: NA Mean Height: 15.00 ft TCCL: 5.0 psf BCDL: 5.0 psf MWFRS Parallel Dist: 0 to h/2 C&C Dist a: 3.00 ft Loc. from endwall: not in 4.50 ft GCp: 0.18 Wind Duration: 1.60	Snow Criteria (Pg,Pf in PSF) Pg: NA Ct: NA CAT: NA Pf: NA Ce: NA Lu: NA Cs: NA Snow Duration: NA Building Code: FBC 8th Ed. 2023 Res. TPI Std: 2014 Rep Fac: No FT/RT:20(0)/10(0) Plate Type(s): WAVE	Defl/CSI Criteria PP Deflection in loc L/defl L/# VERT(LL): NA VERT(CL): NA HORZ(LL): 0.000 B - - HORZ(TL): 0.001 B - - Creep Factor: 2.0 Max TC CSI: 0.148 Max BC CSI: 0.056 Max Web CSI: 0.000 VIEW Ver: 24.02.00D.0114.10	▲ Maximum Reactions (lbs) <table border="1"> <thead> <tr> <th rowspan="2">Loc</th> <th colspan="3">Gravity</th> <th colspan="3">Non-Gravity</th> </tr> <tr> <th>R+</th> <th>/R-</th> <th>/Rh</th> <th>/Rw</th> <th>/U</th> <th>/RL</th> </tr> </thead> <tbody> <tr> <td>B</td> <td>254</td> <td>/-</td> <td>/-</td> <td>/98</td> <td>/42</td> <td>/27</td> </tr> <tr> <td>D</td> <td>46</td> <td>/-</td> <td>/-</td> <td>/29</td> <td>/-</td> <td>/-</td> </tr> <tr> <td>C</td> <td>58</td> <td>/-</td> <td>/-</td> <td>/30</td> <td>/13</td> <td>/-</td> </tr> </tbody> </table>	Loc	Gravity			Non-Gravity			R+	/R-	/Rh	/Rw	/U	/RL	B	254	/-	/-	/98	/42	/27	D	46	/-	/-	/29	/-	/-	C	58	/-	/-	/30	/13	/-
				Loc		Gravity			Non-Gravity																													
R+	/R-	/Rh	/Rw		/U	/RL																																
B	254	/-	/-	/98	/42	/27																																
D	46	/-	/-	/29	/-	/-																																
C	58	/-	/-	/30	/13	/-																																
Wind reactions based on MWFRS B Brg Wid = 3.5 Min Req = 1.5 (Truss) D Brg Wid = 1.5 Min Req = - C Brg Wid = 1.5 Min Req = - Bearing B is a rigid surface. Members not listed have forces less than 375#																																						

Lumber

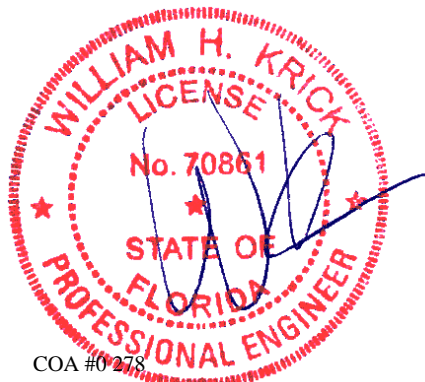
Top chord: 2x4 SP #2;
 Bot chord: 2x4 SP #2;

Wind

Wind loads based on MWFRS with additional C&C member design.
 Wind loading based on both gable and hip roof types.

Additional Notes

The overall height of this truss excluding overhang is 1-1-3.

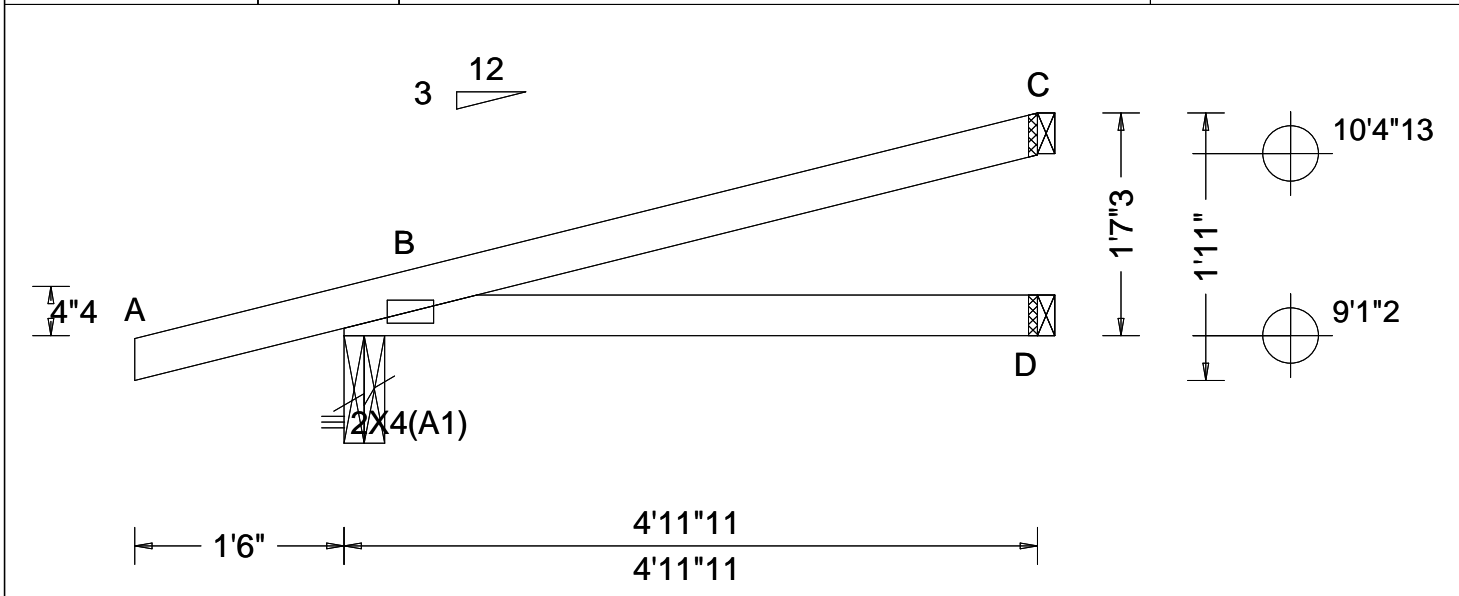


COA #0278

02/12/2026 Florida Certificate of Product Approval #FL 1999

****WARNING** READ AND FOLLOW ALL NOTES ON THIS DRAWING!**
****IMPORTANT** FURNISH THIS DRAWING TO ALL CONTRACTORS INCLUDING THE INSTALLERS**
 Trusses require extreme care in fabricating, handling, shipping, installing and bracing. Refer to and follow the latest edition of BCSI (Building Component Safety Information, by TPI and SBCA) for safety practices prior to performing these functions. Installers shall provide temporary bracing per BCSI. Unless noted otherwise, top chord shall have properly attached structural sheathing and bottom chord shall have a properly attached rigid ceiling. Locations shown for permanent lateral restraint of webs shall have continuous lateral restraint (CLR), installed with diagonal bracing installed on the CLR per BCSI sections B3, B7, or B10, as applicable. Apply plates to each face of truss and position as shown above and on the Joint Details, unless noted otherwise. Refer to drawings 160A-Z for standard plate positions. Refer to job's General Notes page for additional information.
 Alpine, a division of ITW Building Components Group Inc. shall not be responsible for any deviation from this drawing, any failure to build the truss in conformance with ANSI/TPI 1, or for handling, shipping, installation and bracing of trusses. A seal on this drawing or cover page listing this drawing, indicates acceptance of professional engineering responsibility solely for the design shown. The suitability and use of this drawing for any structure is the responsibility of the Building Designer per ANSI/TPI 1 Sec.2.
 For more information see these web sites: Alpine: alpineitw.com; TPI: tpinst.org; SBCA: sbccomponents.com; ICC: iccsafe.org; AWC: awc.org





Loading Criteria (psf) TCCL: 20.00 TCCL: 10.00 BCLL: 0.00 BCDL: 10.00 Des Ld: 40.00 NCBCLL: 10.00 Soffit: 2.00 Load Duration: 1.25 Spacing: 24.0 "	Wind Criteria Wind Std: ASCE 7-22 Speed: 130 mph Enclosure: Enclosed Risk Category: II EXP: B Kzt: NA Mean Height: 15.00 ft TCCL: 5.0 psf BCDL: 5.0 psf MWFRS Parallel Dist: 0 to h/2 C&C Dist a: 3.00 ft Loc. from endwall: not in 4.50 ft GCp: 0.18 Wind Duration: 1.60	Snow Criteria (Pg,Pf in PSF) Pg: NA Ct: NA CAT: NA Pf: NA Ce: NA Lu: NA Cs: NA Snow Duration: NA Building Code: FBC 8th Ed. 2023 Res. TPI Std: 2014 Rep Fac: No FT/RT:20(0)/10(0) Plate Type(s): WAVE	Defl/CSI Criteria PP Deflection in loc L/defl L/# VERT(LL): NA VERT(CL): NA HORZ(LL): 0.004 B - - HORZ(TL): 0.008 B - - Creep Factor: 2.0 Max TC CSI: 0.280 Max BC CSI: 0.213 Max Web CSI: 0.000 VIEW Ver: 24.02.00D.0114.10	▲ Maximum Reactions (lbs) <table border="1"> <thead> <tr> <th rowspan="2">Loc</th> <th colspan="3">Gravity</th> <th colspan="3">Non-Gravity</th> </tr> <tr> <th>R+</th> <th>/R-</th> <th>/Rh</th> <th>/Rw</th> <th>/U</th> <th>/RL</th> </tr> </thead> <tbody> <tr> <td>B</td> <td>322</td> <td>-</td> <td>-</td> <td>/135</td> <td>/37</td> <td>/38</td> </tr> <tr> <td>D</td> <td>86</td> <td>-</td> <td>-</td> <td>/49</td> <td>-</td> <td>-</td> </tr> <tr> <td>C</td> <td>121</td> <td>-</td> <td>-</td> <td>/51</td> <td>/26</td> <td>-</td> </tr> </tbody> </table>	Loc	Gravity			Non-Gravity			R+	/R-	/Rh	/Rw	/U	/RL	B	322	-	-	/135	/37	/38	D	86	-	-	/49	-	-	C	121	-	-	/51	/26	-
				Loc		Gravity			Non-Gravity																													
R+	/R-	/Rh	/Rw		/U	/RL																																
B	322	-	-	/135	/37	/38																																
D	86	-	-	/49	-	-																																
C	121	-	-	/51	/26	-																																
Wind reactions based on MWFRS B Brg Wid = 3.5 Min Req = 1.5 (Truss) D Brg Wid = 1.5 Min Req = - C Brg Wid = 1.5 Min Req = - Bearing B is a rigid surface. Members not listed have forces less than 375#																																						

Lumber

Top chord: 2x4 SP #2;
 Bot chord: 2x4 SP #2;

Wind

Wind loads based on MWFRS with additional C&C member design.
 Wind loading based on both gable and hip roof types.

Additional Notes

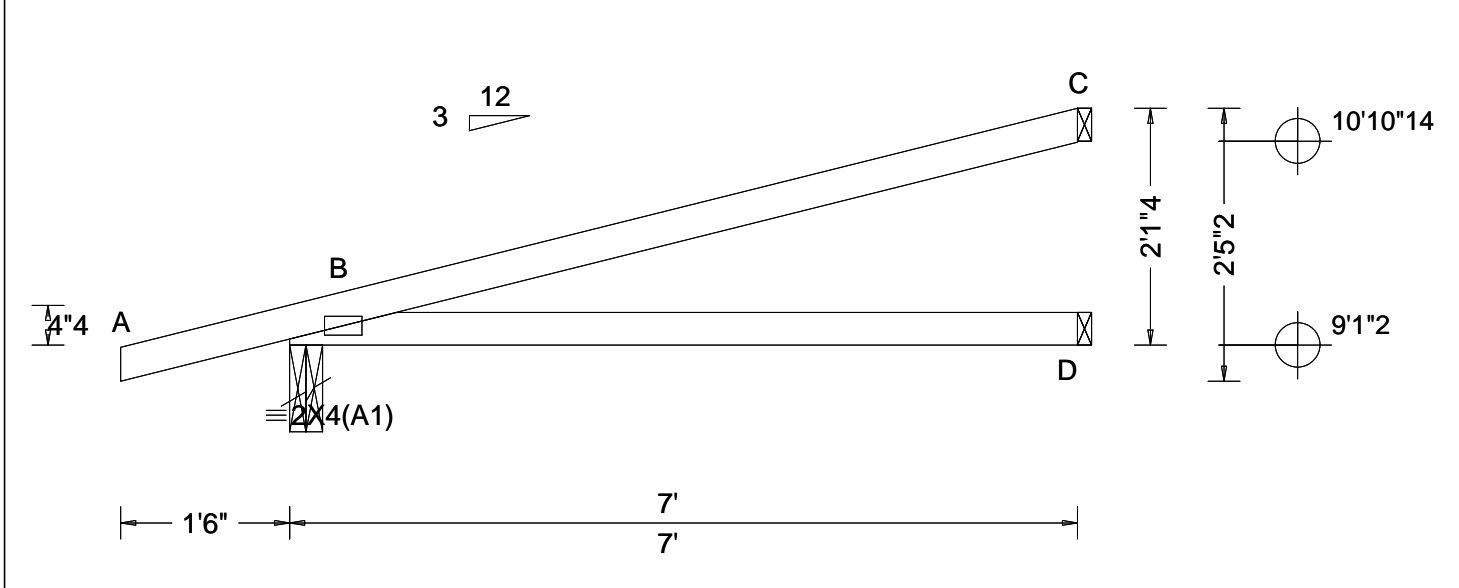
The overall height of this truss excluding overhang is 1-7-3.



COA #0278
 02/12/2026
 Florida Certificate of Product Approval #FL 1999

****WARNING** READ AND FOLLOW ALL NOTES ON THIS DRAWING!**
****IMPORTANT** FURNISH THIS DRAWING TO ALL CONTRACTORS INCLUDING THE INSTALLERS**
 Trusses require extreme care in fabricating, handling, shipping, installing and bracing. Refer to and follow the latest edition of BCSI (Building Component Safety Information, by TPI and SBCA) for safety practices prior to performing these functions. Installers shall provide temporary bracing per BCSI. Unless noted otherwise, top chord shall have properly attached structural sheathing and bottom chord shall have a properly attached rigid ceiling. Locations shown for permanent lateral restraint of webs shall have continuous lateral restraint (CLR), installed with diagonal bracing installed on the CLR per BCSI sections B3, B7, or B10, as applicable. Apply plates to each face of truss and position as shown above and on the Joint Details, unless noted otherwise. Refer to drawings 160A-Z for standard plate positions. Refer to job's General Notes page for additional information.
 Alpine, a division of ITW Building Components Group Inc. shall not be responsible for any deviation from this drawing, any failure to build the truss in conformance with ANSI/TPI 1, or for handling, shipping, installation and bracing of trusses. A seal on this drawing or cover page listing this drawing, indicates acceptance of professional engineering responsibility solely for the design shown. The suitability and use of this drawing for any structure is the responsibility of the Building Designer per ANSI/TPI 1 Sec.2.
 For more information see these web sites: Alpine: alpineitw.com; TPI: tpinst.org; SBCA: sbccomponents.com; ICC: iccsafe.org; AWC: awc.org





Loading Criteria (psf) TCCL: 20.00 TCCL: 10.00 BCLL: 0.00 BCDL: 10.00 Des Ld: 40.00 NCBCLL: 10.00 Soffit: 2.00 Load Duration: 1.25 Spacing: 24.0 "	Wind Criteria Wind Std: ASCE 7-22 Speed: 130 mph Enclosure: Enclosed Risk Category: II EXP: B Kzt: NA Mean Height: 15.00 ft TCCL: 5.0 psf BCDL: 5.0 psf MWFRS Parallel Dist: h/2 to h C&C Dist a: 3.00 ft Loc. from endwall: not in 4.50 ft GCp: 0.18 Wind Duration: 1.60	Snow Criteria (Pg,Pf in PSF) Pg: NA Ct: NA CAT: NA Pf: NA Ce: NA Lu: NA Cs: NA Snow Duration: NA Building Code: FBC 8th Ed. 2023 Res. TPI Std: 2014 Rep Fac: No FT/RT:20(0)/10(0) Plate Type(s): WAVE	Defl/CSI Criteria PP Deflection in loc L/defl L/# VERT(LL): NA VERT(CL): NA HORZ(LL): 0.014 B - - HORZ(TL): 0.028 B - - Creep Factor: 2.0 Max TC CSI: 0.663 Max BC CSI: 0.483 Max Web CSI: 0.000 VIEW Ver: 24.02.00D.0114.10	▲ Maximum Reactions (lbs) <table border="1"> <thead> <tr> <th rowspan="2">Loc</th> <th colspan="3">Gravity</th> <th colspan="3">Non-Gravity</th> </tr> <tr> <th>R+</th> <th>/R-</th> <th>/Rh</th> <th>/Rw</th> <th>/U</th> <th>/RL</th> </tr> </thead> <tbody> <tr> <td>B</td> <td>398</td> <td>-</td> <td>-</td> <td>/176</td> <td>/34</td> <td>/49</td> </tr> <tr> <td>D</td> <td>125</td> <td>-</td> <td>-</td> <td>/70</td> <td>-</td> <td>-</td> </tr> <tr> <td>C</td> <td>180</td> <td>-</td> <td>-</td> <td>/72</td> <td>/38</td> <td>-</td> </tr> </tbody> </table>	Loc	Gravity			Non-Gravity			R+	/R-	/Rh	/Rw	/U	/RL	B	398	-	-	/176	/34	/49	D	125	-	-	/70	-	-	C	180	-	-	/72	/38	-
				Loc		Gravity			Non-Gravity																													
R+	/R-	/Rh	/Rw		/U	/RL																																
B	398	-	-	/176	/34	/49																																
D	125	-	-	/70	-	-																																
C	180	-	-	/72	/38	-																																
Wind reactions based on MWFRS B Brg Wid = 3.5 Min Req = 1.5 (Truss) D Brg Wid = 1.5 Min Req = - C Brg Wid = 1.5 Min Req = - Bearing B is a rigid surface. Members not listed have forces less than 375#																																						

Lumber

Top chord: 2x4 SP #2;
 Bot chord: 2x4 SP #2;

Wind

Wind loads based on MWFRS with additional C&C member design.
 Wind loading based on both gable and hip roof types.

Additional Notes

The overall height of this truss excluding overhang is 2-1-4.



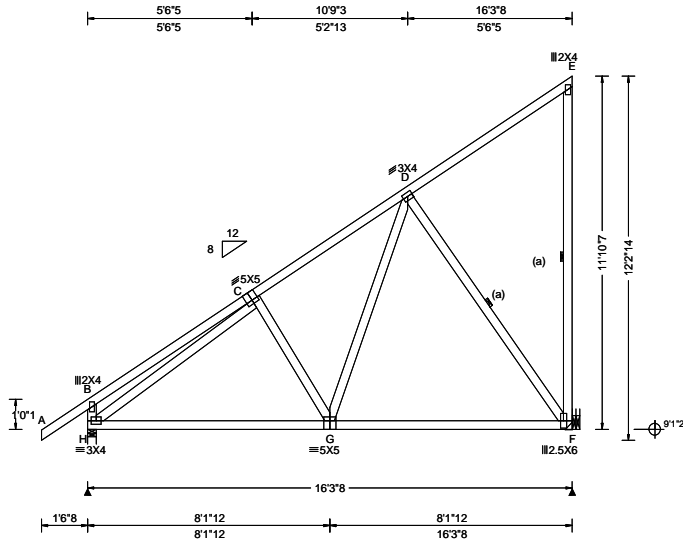
COA #0278

02/12/2026
 Florida Certificate of Product Approval #FL 1999

****WARNING** READ AND FOLLOW ALL NOTES ON THIS DRAWING!**
****IMPORTANT** FURNISH THIS DRAWING TO ALL CONTRACTORS INCLUDING THE INSTALLERS**
 Trusses require extreme care in fabricating, handling, shipping, installing and bracing. Refer to and follow the latest edition of BCSI (Building Component Safety Information, by TPI and SBCA) for safety practices prior to performing these functions. Installers shall provide temporary bracing per BCSI. Unless noted otherwise, top chord shall have properly attached structural sheathing and bottom chord shall have a properly attached rigid ceiling. Locations shown for permanent lateral restraint of webs shall have continuous lateral restraint (CLR), installed with diagonal bracing installed on the CLR per BCSI sections B3, B7, or B10, as applicable. Apply plates to each face of truss and position as shown above and on the Joint Details, unless noted otherwise. Refer to drawings 160A-Z for standard plate positions. Refer to job's General Notes page for additional information.
 Alpine, a division of ITW Building Components Group Inc. shall not be responsible for any deviation from this drawing, any failure to build the truss in conformance with ANSI/TPI 1, or for handling, shipping, installation and bracing of trusses. A seal on this drawing or cover page listing this drawing, indicates acceptance of professional engineering responsibility solely for the design shown. The suitability and use of this drawing for any structure is the responsibility of the Building Designer per ANSI/TPI 1 Sec.2.
 For more information see these web sites: Alpine: alpineitw.com; TPI: tpinst.org; SBCA: sbccomponents.com; ICC: iccsafe.org; AWC: awc.org



SEQN: 725758 FROM: RFG	MONO Ply: 1 Qty: 8	Job Number: 25-2668B THOMAS RESIDENCE Truss Label: K1	Cust: R 215 JRef: 1YHK2150006 T17 DrwNo: 043.26.1036.57980 GA / WHK 02/12/2026
---------------------------	--------------------------	-------------------------------------------------------------	--------------------------------------------------------------------------------------



Loading Criteria (psf) TCLL: 20.00 TCDL: 10.00 BCLL: 0.00 BCDL: 10.00 Des Ld: 40.00 NCBCLL: 10.00 Soffit: 2.00 Load Duration: 1.25 Spacing: 24.0 "	Wind Criteria Wind Std: ASCE 7-22 Speed: 130 mph Enclosure: Enclosed Risk Category: II EXP: B Kzt: NA Mean Height: 15.02 ft TCDL: 5.0 psf BCDL: 5.0 psf MWFRS Parallel Dist: 0 to h/2 C&C Dist a: 3.00 ft Loc. from endwall: Any GCp: 0.18 Wind Duration: 1.60	Snow Criteria (Pg,Pf in PSF) Pg: NA Ct: NA CAT: NA Pf: NA Ce: NA Lu: NA Cs: NA Snow Duration: NA Building Code: FBC 8th Ed. 2023 Res. TPI Std: 2014 Rep Fac: Yes FT/RT:20(0)/10(0) Plate Type(s): WAVE	Defl/CSI Criteria PP Deflection in loc L/defl L/# VERT(LL): 0.018 G 999 360 VERT(CL): 0.035 G 999 240 HORZ(LL): 0.008 C - - HORZ(TL): 0.014 C - - Creep Factor: 2.0 Max TC CSI: 0.501 Max BC CSI: 0.815 Max Web CSI: 0.716 VIEW Ver: 24.02.00D.0114.10	▲ Maximum Reactions (lbs) Gravity Non-Gravity Loc R+ / R- / Rh / Rw / U / RL H 842 /- /- /421 /- /278 F 789 /- /- /485 /113 /- Wind reactions based on MWFRS H Brg Wid = 3.5 Min Req = 1.5 (Truss) F Brg Wid = - Min Req = - Bearing H is a rigid surface. Members not listed have forces less than 375# Maximum Top Chord Forces Per Ply (lbs) Chords Tens.Comp. C - D 0 -741
--------------------------------------------------------------------------------------------------------------------------------------------------------------------------------------	--------------------------------------------------------------------------------------------------------------------------------------------------------------------------------------------------------------------------------------------------------------------------------------------------------------	----------------------------------------------------------------------------------------------------------------------------------------------------------------------------------------------------------------------------------------------------	-------------------------------------------------------------------------------------------------------------------------------------------------------------------------------------------------------------------------------------------------------------------------------------------------	----------------------------------------------------------------------------------------------------------------------------------------------------------------------------------------------------------------------------------------------------------------------------------------------------------------------------------------------------------------------------------------------------------------------------------

Lumber

Top chord: 2x4 SP #2;
Bot chord: 2x4 SP #2;
Webs: 2x4 SP #3;

Bracing

(a) Continuous lateral restraint equally spaced on member.

Loading

Truss passed check for 20 psf additional bottom chord live load in areas with 42"-high x 24"-wide clearance.

Wind

Wind loads based on MWFRS with additional C&C member design.
End verticals not exposed to wind pressure.
Wind loading based on both gable and hip roof types.

Additional Notes

The overall height of this truss excluding overhang is 11-10-7.

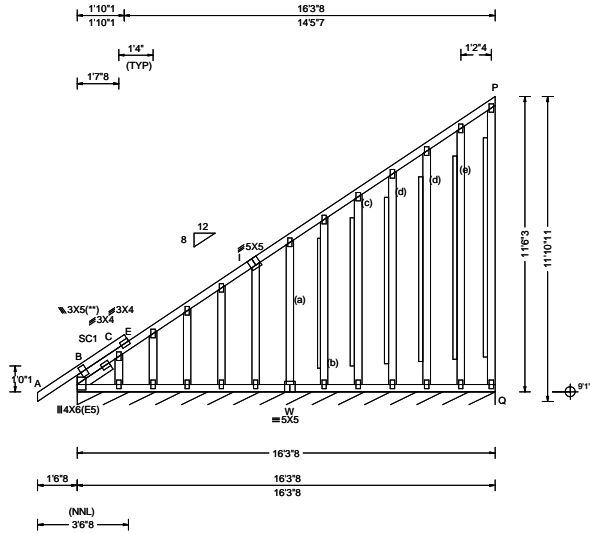


COA #0278

02/12/2026 Florida Certificate of Product Approval #FL 1999

****WARNING** READ AND FOLLOW ALL NOTES ON THIS DRAWING!**
****IMPORTANT** FURNISH THIS DRAWING TO ALL CONTRACTORS INCLUDING THE INSTALLERS**
Trusses require extreme care in fabricating, handling, shipping, installing and bracing. Refer to and follow the latest edition of BCSI (Building Component Safety Information, by TPI and SBCA) for safety practices prior to performing these functions. Installers shall provide temporary bracing per BCSI. Unless noted otherwise, top chord shall have properly attached structural sheathing and bottom chord shall have a properly attached rigid ceiling. Locations shown for permanent lateral restraint of webs shall have continuous lateral restraint (CLR), installed with diagonal bracing installed on the CLR per BCSI sections B3, B7, or B10, as applicable. Apply plates to each face of truss and position as shown above and on the Joint Details, unless noted otherwise. Refer to drawings 160A-Z for standard plate positions. Refer to job's General Notes page for additional information.
Alpine, a division of ITW Building Components Group Inc. shall not be responsible for any deviation from this drawing, any failure to build the truss in conformance with ANSI/TPI 1, or for handling, shipping, installation and bracing of trusses. A seal on this drawing or cover page listing this drawing, indicates acceptance of professional engineering responsibility solely for the design shown. The suitability and use of this drawing for any structure is the responsibility of the Building Designer per ANSI/TPI 1 Sec.2.
For more information see these web sites: Alpine: alpineitw.com; TPI: tpinst.org; SBCA: sbccomponents.com; ICC: iccsafe.org; AWC: awc.org





Loading Criteria (psf) TCCL: 20.00 TCCL: 10.00 BCLL: 0.00 BCDL: 10.00 Des Ld: 40.00 NCBCLL: 10.00 Soffit: 2.00 Load Duration: 1.25 Spacing: 24.0 "	Wind Criteria Wind Std: ASCE 7-22 Speed: 130 mph Enclosure: Enclosed Risk Category: II EXP: B Kzt: NA Mean Height: 15.00 ft TCCL: 5.0 psf BCDL: 5.0 psf MWFRS Parallel Dist: 0 to h/2 C&C Dist a: 3.00 ft Loc. from endwall: Any GCp: 0.18 Wind Duration: 1.60	Snow Criteria (Pg,Pf in PSF) Pg: NA Ct: NA CAT: NA Pf: NA Ce: NA Lu: NA Cs: NA Snow Duration: NA Building Code: FBC 8th Ed. 2023 Res. TPI Std: 2014 Rep Fac: Varies by Ld Case FT/RT:20(0)/10(0) Plate Type(s): WAVE	Defl/CSI Criteria PP Deflection in loc L/defl L/# VERT(LL): 0.002 O 999 360 VERT(CL): 0.004 O 999 240 HORZ(LL): 0.001 O - - HORZ(TL): 0.014 O - - Creep Factor: 2.0 Max TC CSI: 0.337 Max BC CSI: 0.079 Max Web CSI: 0.972 VIEW Ver: 24.02.00D.0114.10	▲ Maximum Reactions (lbs), or *=PLF <table border="1"> <thead> <tr> <th colspan="2">Gravity</th> <th colspan="4">Non-Gravity</th> </tr> <tr> <th>Loc</th> <th>R+ / R-</th> <th>/ Rh</th> <th>/ Rw</th> <th>/ U</th> <th>/ RL</th> </tr> </thead> <tbody> <tr> <td>B*</td> <td>147</td> <td>-</td> <td>-</td> <td>/69</td> <td>/16 /29</td> </tr> </tbody> </table> Wind reactions based on MWFRS B Brg Wid = 195 Min Req = - Bearing B is a rigid surface. Members not listed have forces less than 375# Maximum Top Chord Forces Per Ply (lbs) <table border="1"> <thead> <tr> <th>Chords</th> <th>Tens.Comp.</th> <th>Chords</th> <th>Tens. Comp.</th> </tr> </thead> <tbody> <tr> <td>B - C</td> <td>165 -794</td> <td>E - I</td> <td>167 -571</td> </tr> <tr> <td>C - E</td> <td>164 -791</td> <td></td> <td></td> </tr> </tbody> </table>	Gravity		Non-Gravity				Loc	R+ / R-	/ Rh	/ Rw	/ U	/ RL	B*	147	-	-	/69	/16 /29	Chords	Tens.Comp.	Chords	Tens. Comp.	B - C	165 -794	E - I	167 -571	C - E	164 -791		
Gravity		Non-Gravity																																
Loc	R+ / R-	/ Rh	/ Rw	/ U	/ RL																													
B*	147	-	-	/69	/16 /29																													
Chords	Tens.Comp.	Chords	Tens. Comp.																															
B - C	165 -794	E - I	167 -571																															
C - E	164 -791																																	

Lumber
 Top chord: 2x4 SP #2;
 Bot chord: 2x4 SP #2;
 Webs: 2x4 SP #3;
 Stack Chord: SC1 2x4 SP #2;
 Lt Slider: 2x4 SP #3; block length = 1.50'

Plating Notes
 All plates are 2X4 except as noted.
 (**) 1 plate(s) require special positioning. Refer to scaled plate plot details for special positioning requirements.

Loading
 Truss designed to support 1-4-0 top chord outlookers and cladding load not to exceed 5.00 PSF one face and 24.0" span opposite face. Top chord must not be cut or notched, unless specified otherwise.

Purlins
 In lieu of structural panels use purlins to brace TC @ 24" oc.

Wind
 Wind loads based on MWFRS with additional C&C member design.
 Right end vertical not exposed to wind pressure.
 Wind loading based on both gable and hip roof types.
 Gable meets L/120 deflection criteria for wind load applied to face. Calculated deflection ratio is L/244.

Additional Notes
 Exposed portion of gable face shall be reinforced with sheathing and the wind pressures shall be transferred into lateral diaphragms. Connections and designs for diaphragms is the responsibility of the Building Designer in accordance with ANSI/TPI 1.
 Stacked top chord must NOT be notched or cut in area (NNL). Dropped top chord braced at 24" oc intervals. Attach stacked top chord (SC) to dropped top chord in notchable area using 3x4 tie-plates 24" oc. Center plate on stacked/dropped chord interface, plate length perpendicular to chord length. Splice top chord in notchable area using 3x6.
 The overall height of this truss excluding overhang is 11'-6.3".

Maximum Bot Chord Forces Per Ply (lbs)

Chords	Tens.Comp.
B - W	633 -135



COA #0278
 02/12/2026
 Florida Certificate of Product Approval #FL 1999

****WARNING** READ AND FOLLOW ALL NOTES ON THIS DRAWING!**
****IMPORTANT** FURNISH THIS DRAWING TO ALL CONTRACTORS INCLUDING THE INSTALLERS**
 Trusses require extreme care in fabricating, handling, shipping, installing and bracing. Refer to and follow the latest edition of BCSI (Building Component Safety Information, by TPI and SBCA) for safety practices prior to performing these functions. Installers shall provide temporary bracing per BCSI. Unless noted otherwise, top chord shall have properly attached structural sheathing and bottom chord shall have a properly attached rigid ceiling. Locations shown for permanent lateral restraint of webs shall have continuous lateral restraint (CLR), installed with diagonal bracing installed on the CLR per BCSI sections B3, B7, or B10, as applicable. Apply plates to each face of truss and position as shown above and on the Joint Details, unless noted otherwise. Refer to drawings 160A-Z for standard plate positions. Refer to job's General Notes page for additional information.
 Alpine, a division of ITW Building Components Group Inc. shall not be responsible for any deviation from this drawing, any failure to build the truss in conformance with ANSI/TPI 1, or for handling, shipping, installation and bracing of trusses. A seal on this drawing or cover page listing this drawing, indicates acceptance of professional engineering responsibility solely for the design shown. The suitability and use of this drawing for any structure is the responsibility of the Building Designer per ANSI/TPI 1 Sec.2.
 For more information see these web sites: Alpine: alpineitw.com; TPI: tpinst.org; SBCA: sbccomponents.com; ICC: iccsafe.org; AWC: awc.org



SEQN: 725762	GABL	Ply: 1	Job Number: 25-2668B	Cust: R215 JRef: 1YHK2150006 T42
FROM: RFG		Qty: 1	THOMAS RESIDENCE	DrwNo: 043.26.1037.01733
Page 2 of 2			Truss Label: K1E	GA / WHK 02/12/2026

Gable Reinforcement

- (a) 1x4 "L" reinforcement. Same species and grade as web. 80% length of web member. Attach with 10d (0.131"x3",min.) nails @ 2" oc at each end for the first 18" and then 4" oc for the remainder.
- (b) 2x3 "L" reinforcement. Same species and grade as web. 80% length of web member. Attach with 10d (0.131"x3",min.) nails @ 2" oc at each end for the first 18" and then 4" oc for the remainder.
- (c) 2x4 "L" reinforcement. Any species and grade. 80% length of web member. Attach with 10d (0.131"x3",min.) nails @ 2" oc at each end for the first 18" and then 4" oc for the remainder.
- (d) 2x6 "L" reinforcement. Any species and grade. 80% length of web member. Attach with 10d (0.131"x3",min.) nails @ 2" oc at each end for the first 18" and then 4" oc for the remainder.
- (e) 2x4 "L" reinforcement. Same species and grade as web. 80% length of web member. Attach with 10d (0.131"x3",min.) nails @ 2" oc at each end for the first 18" and then 4" oc for the remainder.

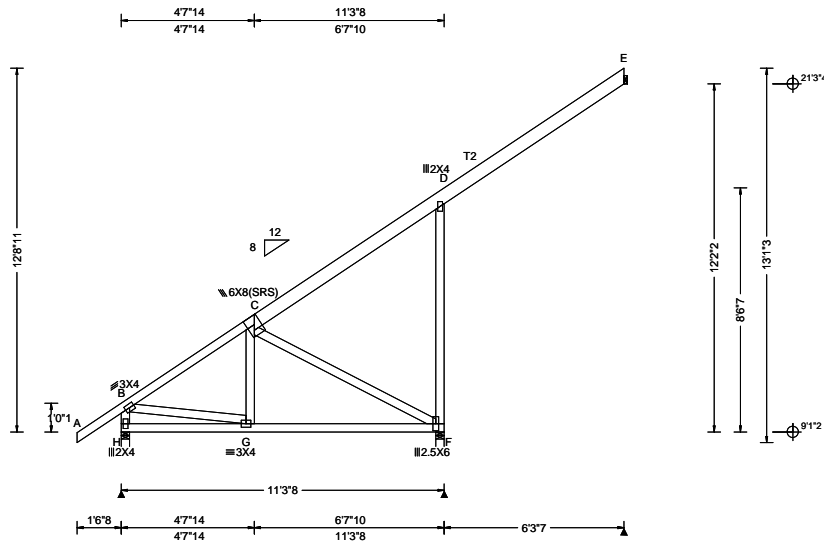


COA #0278

02/12/2026
Florida Certificate of Product Approval #FL 1999

****WARNING** READ AND FOLLOW ALL NOTES ON THIS DRAWING!**
****IMPORTANT** FURNISH THIS DRAWING TO ALL CONTRACTORS INCLUDING THE INSTALLERS**
 Trusses require extreme care in fabricating, handling, shipping, installing and bracing. Refer to and follow the latest edition of BCSI (Building Component Safety Information, by TPI and SBCA) for safety practices prior to performing these functions. Installers shall provide temporary bracing per BCSI. Unless noted otherwise, top chord shall have properly attached structural sheathing and bottom chord shall have a properly attached rigid ceiling. Locations shown for permanent lateral restraint of webs shall have continuous lateral restraint (CLR), installed with diagonal bracing installed on the CLR per BCSI sections B3, B7, or B10, as applicable. Apply plates to each face of truss and position as shown above and on the Joint Details, unless noted otherwise. Refer to drawings 160A-Z for standard plate positions. Refer to job's General Notes page for additional information.
 Alpine, a division of ITW Building Components Group Inc. shall not be responsible for any deviation from this drawing, any failure to build the truss in conformance with ANSI/TPI 1, or for handling, shipping, installation and bracing of trusses. A seal on this drawing or cover page listing this drawing, indicates acceptance of professional engineering responsibility solely for the design shown. The suitability and use of this drawing for any structure is the responsibility of the Building Designer per ANSI/TPI 1 Sec.2.
 For more information see these web sites: Alpine: alpineitw.com; TPI: tpinst.org; SBCA: sbcacomponents.com; ICC: iccsafe.org; AWC: awc.org





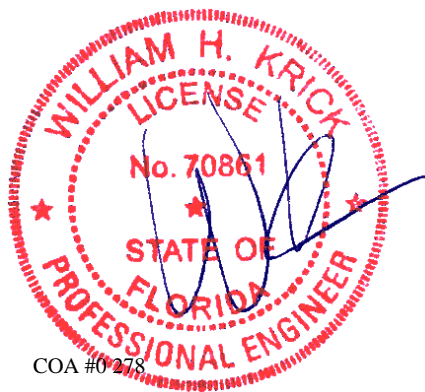
Loading Criteria (psf)	Wind Criteria	Snow Criteria (Pg,Pf in PSF)	Defl/CSI Criteria	▲ Maximum Reactions (lbs)
TCLL: 20.00 TCDL: 10.00 BCLL: 0.00 BCDL: 10.00 Des Ld: 40.00 NCBCLL: 10.00 Soffit: 2.00 Load Duration: 1.25 Spacing: 24.0 "	Wind Std: ASCE 7-22 Speed: 130 mph Enclosure: Enclosed Risk Category: II EXP: B Kzt: NA Mean Height: 15.45 ft TCDL: 5.0 psf BCDL: 5.0 psf MWFRS Parallel Dist: h to 2h C&C Dist a: 3.00 ft Loc. from endwall: not in 9.00 ft GCp: 0.18 Wind Duration: 1.60	Pg: NA Ct: NA CAT: NA Pf: NA Ce: NA Lu: NA Cs: NA Snow Duration: NA Building Code: FBC 8th Ed. 2023 Res. TPI Std: 2014 Rep Fac: Yes FT/RT:20(0)/10(0) Plate Type(s): WAVE	PP Deflection in loc L/defl L/# VERT(LL): 0.007 G 999 360 VERT(CL): 0.014 G 999 240 HORZ(LL): -0.003 E - - HORZ(TL): 0.006 E - - Creep Factor: 2.0 Max TC CSI: 0.240 Max BC CSI: 0.501 Max Web CSI: 0.604 VIEW Ver: 24.02.00D.0114.10	Gravity Non-Gravity Loc R+ / R- / Rh / Rw / U / RL H 570 /- /- /271 /- /218 F 743 /- /- /506 /86 /- E 168 /- /- /94 /33 /- Wind reactions based on MWFRS H Brg Wid = 3.5 Min Req = 1.5 (Truss) F Brg Wid = 3.5 Min Req = 1.5 (Truss) E Brg Wid = 1.5 Min Req = - Bearings H & F are a rigid surface. Members not listed have forces less than 375# Maximum Top Chord Forces Per Ply (lbs) Chords Tens.Comp.

Lumber
Top chord: 2x4 SP #2; T2 2x6 SP 2400f-2.0E;
Bot chord: 2x4 SP #2;
Webs: 2x4 SP #3;

Wind
Wind loads based on MWFRS with additional C&C member design.
Left end vertical not exposed to wind pressure.
Wind loading based on both gable and hip roof types.

Additional Notes
The overall height of this truss excluding overhang is 12'-8-11.

Maximum Web Forces Per Ply (lbs)	
Webs Tens.Comp.	Webs Tens. Comp.
B - H 0 -545	D - F 181 -489
C - F 91 -415	

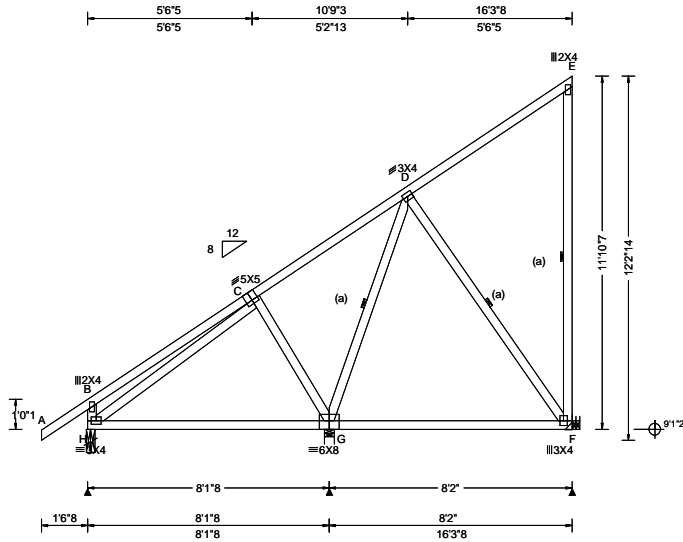


COA #0278
02/12/2026
Florida Certificate of Product Approval #FL 1999

****WARNING** READ AND FOLLOW ALL NOTES ON THIS DRAWING!**
****IMPORTANT** FURNISH THIS DRAWING TO ALL CONTRACTORS INCLUDING THE INSTALLERS**
Trusses require extreme care in fabricating, handling, shipping, installing and bracing. Refer to and follow the latest edition of BCSI (Building Component Safety Information, by TPI and SBCA) for safety practices prior to performing these functions. Installers shall provide temporary bracing per BCSI. Unless noted otherwise, top chord shall have properly attached structural sheathing and bottom chord shall have a properly attached rigid ceiling. Locations shown for permanent lateral restraint of webs shall have continuous lateral restraint (CLR), installed with diagonal bracing installed on the CLR per BCSI sections B3, B7, or B10, as applicable. Apply plates to each face of truss and position as shown above and on the Joint Details, unless noted otherwise. Refer to drawings 160A-Z for standard plate positions. Refer to job's General Notes page for additional information.
Alpine, a division of ITW Building Components Group Inc. shall not be responsible for any deviation from this drawing, any failure to build the truss in conformance with ANSI/TPI 1, or for handling, shipping, installation and bracing of trusses. A seal on this drawing or cover page listing this drawing, indicates acceptance of professional engineering responsibility solely for the design shown. The suitability and use of this drawing for any structure is the responsibility of the Building Designer per ANSI/TPI 1 Sec.2.
For more information see these web sites: Alpine: alpineitw.com; TPI: tpinst.org; SBCA: sbcacomponents.com; ICC: iccsafe.org; AWC: awc.org



SEQN: 725801 FROM: RFG	MONO Ply: 1 Qty: 5	Job Number: 25-2668B THOMAS RESIDENCE Truss Label: K3	Cust: R 215 JRef: 1YHK2150006 T57 DrwNo: 043.26.1037.12740 GA / WHK 02/12/2006
---------------------------	--------------------------	-------------------------------------------------------------	--------------------------------------------------------------------------------------



Loading Criteria (psf) TCLL: 20.00 TC DL: 10.00 BCLL: 0.00 BCDL: 10.00 Des Ld: 40.00 NCBCLL: 10.00 Soffit: 2.00 Load Duration: 1.25 Spacing: 24.0 "	Wind Criteria Wind Std: ASCE 7-22 Speed: 130 mph Enclosure: Enclosed Risk Category: II EXP: B Kzt: NA Mean Height: 15.02 ft TC DL: 5.0 psf BCDL: 5.0 psf MWFRS Parallel Dist: > 2h C&C Dist a: 3.00 ft Loc. from endwall: not in 9.00 ft GCp: 0.18 Wind Duration: 1.60	Snow Criteria (Pg,Pf in PSF) Pg: NA Ct: NA CAT: NA Pf: NA Ce: NA Lu: NA Cs: NA Snow Duration: NA Building Code: FBC 8th Ed. 2023 Res. TPI Std: 2014 Rep Fac: Yes FT/RT:20(0)/10(0) Plate Type(s): WAVE	Defl/CSI Criteria PP Deflection in loc L/defl L/# VERT(LL): 0.002 D 999 360 VERT(CL): 0.004 D 999 240 HORZ(LL): 0.002 F - - HORZ(TL): 0.003 F - - Creep Factor: 2.0 Max TC CSI: 0.497 Max BC CSI: 0.782 Max Web CSI: 0.195 VIEW Ver: 24.02.00D.0114.10	▲ Maximum Reactions (lbs) <table border="1"> <thead> <tr> <th rowspan="2">Loc</th> <th colspan="3">Gravity</th> <th colspan="3">Non-Gravity</th> </tr> <tr> <th>R+</th> <th>/R-</th> <th>/Rh</th> <th>/Rw</th> <th>/U</th> <th>/RL</th> </tr> </thead> <tbody> <tr> <td>H</td> <td>426</td> <td>-</td> <td>-</td> <td>/197</td> <td>-</td> <td>/202</td> </tr> <tr> <td>G</td> <td>829</td> <td>-</td> <td>-</td> <td>/480</td> <td>-</td> <td>-</td> </tr> <tr> <td>F</td> <td>392</td> <td>-</td> <td>-</td> <td>/246</td> <td>/59</td> <td>-</td> </tr> </tbody> </table> Wind reactions based on MWFRS H Brg Wid = 3.0 Min Req = 1.5 (Truss) G Brg Wid = 4.0 Min Req = 1.5 F Brg Wid = - Min Req = - Bearings H & G are a rigid surface. Members not listed have forces less than 375#	Loc	Gravity			Non-Gravity			R+	/R-	/Rh	/Rw	/U	/RL	H	426	-	-	/197	-	/202	G	829	-	-	/480	-	-	F	392	-	-	/246	/59	-
				Loc		Gravity			Non-Gravity																													
R+	/R-	/Rh	/Rw		/U	/RL																																
H	426	-	-	/197	-	/202																																
G	829	-	-	/480	-	-																																
F	392	-	-	/246	/59	-																																
Lumber Top chord: 2x4 SP #2; Bot chord: 2x4 SP #2; Webs: 2x4 SP #3;	Bracing (a) Continuous lateral restraint equally spaced on member.	Hangers / Ties Simpson Construction Hardware is specified based on the most current information provided by Simpson Strong-Tie. Please refer to the most recent Simpson Strong-Tie catalog for additional information. Recommended hanger connections are based on manufacturer tested capacities and calculations. Conditions may exist that require different connections than indicated. Refer to manufacturer publication for additional information. Hanger specified assumes connection to supporting chord is located a minimum of five times the depth of the supporting chord from any unsupported end, unless unsupported chord end has 85% plating coverage.	Loading Truss passed check for 20 psf additional bottom chord live load in areas with 42"-high x 24"-wide clearance.	Wind Wind loads based on MWFRS with additional C&C member design. End verticals not exposed to wind pressure. Wind loading based on both gable and hip roof types.	Additional Notes The overall height of this truss excluding overhang is 11-10-7.																																	

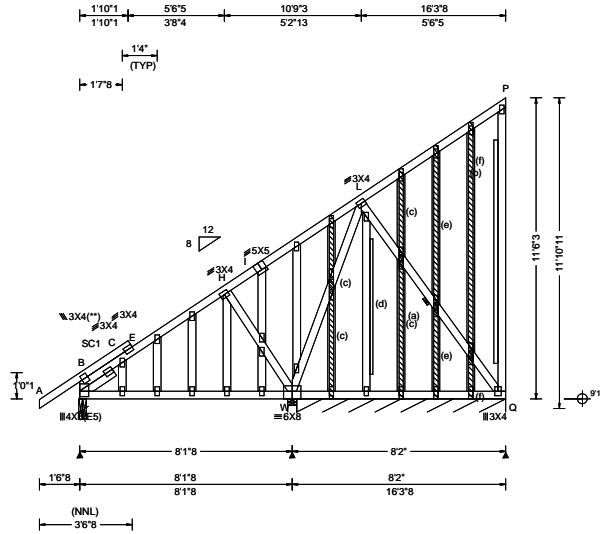


COA #0278

02/12/2006
Florida Certificate of Product Approval #FL 1999

****WARNING** READ AND FOLLOW ALL NOTES ON THIS DRAWING!**
****IMPORTANT** FURNISH THIS DRAWING TO ALL CONTRACTORS INCLUDING THE INSTALLERS**
 Trusses require extreme care in fabricating, handling, shipping, installing and bracing. Refer to and follow the latest edition of BCSI (Building Component Safety Information, by TPI and SBCA) for safety practices prior to performing these functions. Installers shall provide temporary bracing per BCSI. Unless noted otherwise, top chord shall have properly attached structural sheathing and bottom chord shall have a properly attached rigid ceiling. Locations shown for permanent lateral restraint of webs shall have continuous lateral restraint (CLR), installed with diagonal bracing installed on the CLR per BCSI sections B3, B7, or B10, as applicable. Apply plates to each face of truss and position as shown above and on the Joint Details, unless noted otherwise. Refer to drawings 160A-Z for standard plate positions. Refer to job's General Notes page for additional information.
 Alpine, a division of ITW Building Components Group Inc. shall not be responsible for any deviation from this drawing, any failure to build the truss in conformance with ANSI/TPI 1, or for handling, shipping, installation and bracing of trusses. A seal on this drawing or cover page listing this drawing, indicates acceptance of professional engineering responsibility solely for the design shown. The suitability and use of this drawing for any structure is the responsibility of the Building Designer per ANSI/TPI 1 Sec.2.
 For more information see these web sites: Alpine: alpineitw.com; TPI: tpinst.org; SBCA: sbccomponents.com; ICC: iccsafe.org; AWC: awc.org





Loading Criteria (psf) TCLL: 20.00 TCDL: 10.00 BCLL: 0.00 BCDL: 10.00 Des Ld: 40.00 NCBCLL: 10.00 Soffit: 2.00 Load Duration: 1.25 Spacing: 24.0 "	Wind Criteria Wind Std: ASCE 7-22 Speed: 130 mph Enclosure: Enclosed Risk Category: II EXP: B Kzt: NA Mean Height: 15.00 ft TCDL: 5.0 psf BCDL: 5.0 psf MWFRS Parallel Dist: 0 to h/2 C&C Dist a: 3.00 ft Loc. from endwall: not in 12.11 ft GCp: 0.18 Wind Duration: 1.60	Snow Criteria (Pg,Pf in PSF) Pg: NA Ct: NA CAT: NA Pf: NA Ce: NA Lu: NA Cs: NA Snow Duration: NA Building Code: FBC 8th Ed. 2023 Res. TPI Std: 2014 Rep Fac: Varies by Ld Case FT/RT:20(0)/10(0) Plate Type(s): WAVE	Defl/CSI Criteria PP Deflection in loc L/defl L/# VERT(LL): 0.033 AA 999 360 VERT(CL): 0.072 AA 999 240 HORZ(LL): 0.023 F - - HORZ(TL): 0.053 F - - Creep Factor: 2.0 Max TC CSI: 0.337 Max BC CSI: 0.363 Max Web CSI: 0.993 VIEW Ver: 24.02.00D.0114.10	▲ Maximum Reactions (lbs), or *=PLF Gravity Non-Gravity Loc R+ / R- / Rh / Rw / U / RL B 695 /- /- /282 /- /470 W 588 /- /- /259 /4 /- Q* 139 /- /- /73 /37 /- Wind reactions based on MWFRS B Brg Wid = 3.0 Min Req = 1.5 (Truss) W Brg Wid = 4.0 Min Req = 1.5 Q Brg Wid = 96.0 Min Req = - Bearings B, W, & W are a rigid surface. Members not listed have forces less than 375# Maximum Top Chord Forces Per Ply (lbs) Chords Tens.Comp. Chords Tens. Comp. B - C 0 -453 E - H 0 -431 C - E 0 -456 Maximum Web Forces Per Ply (lbs) Webs Tens.Comp. H - W 140 -516
--------------------------------------------------------------------------------------------------------------------------------------------------------------------------------------	--------------------------------------------------------------------------------------------------------------------------------------------------------------------------------------------------------------------------------------------------------------------------------------------------------------------------	------------------------------------------------------------------------------------------------------------------------------------------------------------------------------------------------------------------------------------------------------------------	---------------------------------------------------------------------------------------------------------------------------------------------------------------------------------------------------------------------------------------------------------------------------------------------------	-------------------------------------------------------------------------------------------------------------------------------------------------------------------------------------------------------------------------------------------------------------------------------------------------------------------------------------------------------------------------------------------------------------------------------------------------------------------------------------------------------------------------------------------------------------------------------------------------------------------------------------------------------

Lumber
Top chord: 2x4 SP #2;
Bot chord: 2x4 SP #2;
Webs: 2x4 SP #3;
Stack Chord: SC1 2x4 SP #2;
Lt Slider: 2x4 SP #3; block length = 1.50'

Bracing
(a) Continuous lateral restraint equally spaced on member.

Plating Notes
All plates are 2X4 except as noted.
(**) 1 plate(s) require special positioning. Refer to scaled plate plot details for special positioning requirements.

Loading
Truss designed to support 1-4-0 top chord outlookers and cladding load not to exceed 5.00 PSF one face and 24.0" span opposite face. Top chord must not be cut or notched, unless specified otherwise.

Purlins
In lieu of structural panels use purlins to brace TC @ 24" oc.

Wind
Wind loads based on MWFRS with additional C&C member design.
Right end vertical not exposed to wind pressure.
Wind loading based on both gable and hip roof types.
Gable meets L/120 deflection criteria for wind load applied to face. Calculated deflection ratio is L/388.



COA #0278
02/12/2026
Florida Certificate of Product Approval #FL 1999

****WARNING** READ AND FOLLOW ALL NOTES ON THIS DRAWING!**
****IMPORTANT** FURNISH THIS DRAWING TO ALL CONTRACTORS INCLUDING THE INSTALLERS**
Trusses require extreme care in fabricating, handling, shipping, installing and bracing. Refer to and follow the latest edition of BCSI (Building Component Safety Information, by TPI and SBCA) for safety practices prior to performing these functions. Installers shall provide temporary bracing per BCSI. Unless noted otherwise, top chord shall have properly attached structural sheathing and bottom chord shall have a properly attached rigid ceiling. Locations shown for permanent lateral restraint of webs shall have continuous lateral restraint (CLR), installed with diagonal bracing installed on the CLR per BCSI sections B3, B7, or B10, as applicable. Apply plates to each face of truss and position as shown above and on the Joint Details, unless noted otherwise. Refer to drawings 160A-Z for standard plate positions. Refer to job's General Notes page for additional information.
Alpine, a division of ITW Building Components Group Inc. shall not be responsible for any deviation from this drawing, any failure to build the truss in conformance with ANSI/TPI 1, or for handling, shipping, installation and bracing of trusses. A seal on this drawing or cover page listing this drawing, indicates acceptance of professional engineering responsibility solely for the design shown. The suitability and use of this drawing for any structure is the responsibility of the Building Designer per ANSI/TPI 1 Sec.2.
For more information see these web sites: Alpine: alpineitw.com; TPI: tpinst.org; SBCA: sbccomponents.com; ICC: iccsafe.org; AWC: awc.org



SEQN: 725853	GABL	Ply: 1	Job Number: 25-2668B	Cust: R 215 JRef: 1YHK2150006 T30
FROM: RFG		Qty: 1	THOMAS RESIDENCE	DrwNo: 043.26.1037.18170
Page 2 of 2			Truss Label: K3E	GA / WHK 02/12/2006

Gable Reinforcement

- (b) 2x4 "L" reinforcement. Same species and grade as web. 80% length of web member. Attach with 10d (0.131"x3",min.) nails @ 2" oc at each end for the first 18" and then 4" oc for the remainder.
- (c) 2x3 "T" reinforcement. Any species and grade. Full truss height along web member. Attach to the wide face with 10d (0.131"x3",min.) nails @ 4" oc in the web plus (2)10d (0.131"x3",min.) nails in each chord.
- (d) 1x4 "L" reinforcement. Same species and grade as web. 80% length of web member. Attach with 10d (0.131"x3",min.) nails @ 2" oc at each end for the first 18" and then 4" oc for the remainder.
- (e) 2x3 SP/DF #2 or better "T" reinforcement. Full truss height along web member. Attach to the wide face with 10d (0.131"x3",min.) nails @ 4" oc in the web plus (2)10d (0.131"x3",min.) nails in each chord.
- (f) 2x4 "T" reinforcement. Same species and grade as web. Full truss height along web member. Attach to the wide face with 10d (0.131"x3",min.) nails @ 4" oc in the web plus (2)10d (0.131"x3",min.) nails in each chord.

Additional Notes

Exposed portion of gable face shall be reinforced with sheathing and the wind pressures shall be transferred into lateral diaphragms. Connections and designs for diaphragms is the responsibility of the Building Designer in accordance with ANSI/TPI 1.

Stacked top chord must NOT be notched or cut in area (NNL). Dropped top chord braced at 24" oc intervals. Attach stacked top chord (SC) to dropped top chord in noticable area using 3x4 tie-plates 24" oc. Center plate on stacked/dropped chord interface, plate length perpendicular to chord length. Splice top chord in noticable area using 3x6.

The overall height of this truss excluding overhang is 11-6-3.

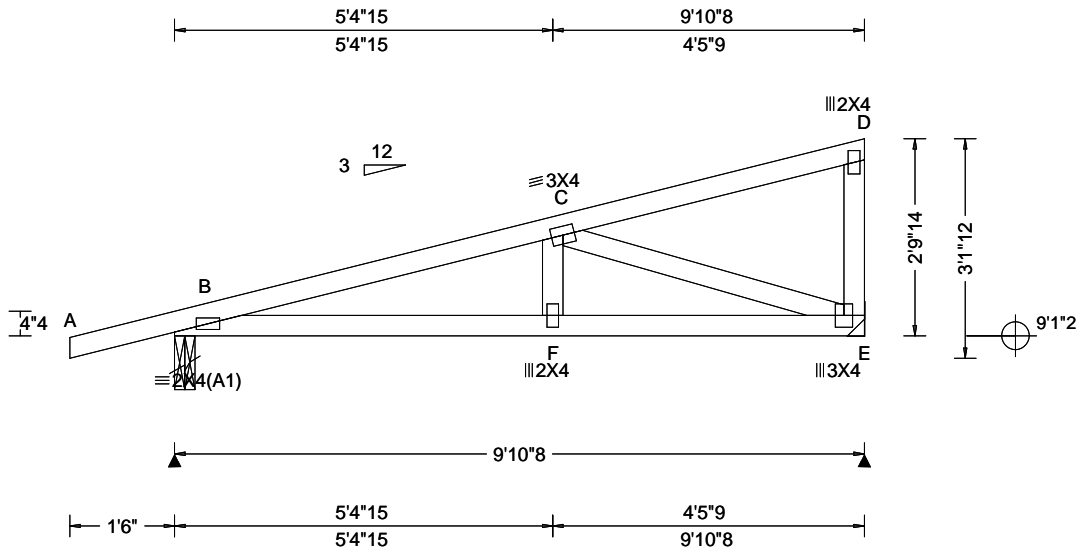


COA #0278

02/12/2006
Florida Certificate of Product Approval #FL 1999

****WARNING** READ AND FOLLOW ALL NOTES ON THIS DRAWING!**
****IMPORTANT** FURNISH THIS DRAWING TO ALL CONTRACTORS INCLUDING THE INSTALLERS**
 Trusses require extreme care in fabricating, handling, shipping, installing and bracing. Refer to and follow the latest edition of BCSI (Building Component Safety Information, by TPI and SBCA) for safety practices prior to performing these functions. Installers shall provide temporary bracing per BCSI. Unless noted otherwise, top chord shall have properly attached structural sheathing and bottom chord shall have a properly attached rigid ceiling. Locations shown for permanent lateral restraint of webs shall have continuous lateral restraint (CLR), installed with diagonal bracing installed on the CLR per BCSI sections B3, B7, or B10, as applicable. Apply plates to each face of truss and position as shown above and on the Joint Details, unless noted otherwise. Refer to drawings 160A-Z for standard plate positions. Refer to job's General Notes page for additional information.
 Alpine, a division of ITW Building Components Group Inc. shall not be responsible for any deviation from this drawing, any failure to build the truss in conformance with ANSI/TPI 1, or for handling, shipping, installation and bracing of trusses. A seal on this drawing or cover page listing this drawing, indicates acceptance of professional engineering responsibility solely for the design shown. The suitability and use of this drawing for any structure is the responsibility of the Building Designer per ANSI/TPI 1 Sec.2.
 For more information see these web sites: Alpine: alpineitw.com; TPI: tpinst.org; SBCA: sbcacomponents.com; ICC: iccsafe.org; AWC: awc.org





Loading Criteria (psf) TCCL: 20.00 TCDL: 10.00 BCCL: 0.00 BCDL: 10.00 Des Ld: 40.00 NCBCLL: 10.00 Soffit: 2.00 Load Duration: 1.25 Spacing: 24.0 "	Wind Criteria Wind Std: ASCE 7-22 Speed: 130 mph Enclosure: Enclosed Risk Category: II EXP: B Kzt: NA Mean Height: 15.00 ft TCDL: 5.0 psf BCDL: 5.0 psf MWFRS Parallel Dist: h to 2h C&C Dist a: 3.00 ft Loc. from endwall: not in 9.00 ft GCp: 0.18 Wind Duration: 1.60	Snow Criteria (Pg,Pf in PSF) Pg: NA Ct: NA CAT: NA Pf: NA Ce: NA Lu: NA Cs: NA Snow Duration: NA Building Code: FBC 8th Ed. 2023 Res. TPI Std: 2014 Rep Fac: No FT/RT:20(0)/10(0) Plate Type(s): WAVE	Defl/CSI Criteria PP Deflection in loc L/defl L/# VERT(LL): 0.021 F 999 360 VERT(CL): 0.040 F 999 240 HORZ(LL): 0.006 E - - HORZ(TL): 0.011 E - - Creep Factor: 2.0 Max TC CSI: 0.234 Max BC CSI: 0.281 Max Web CSI: 0.312 VIEW Ver: 24.02.00D.0114.10	▲ Maximum Reactions (lbs) <table border="1"> <thead> <tr> <th rowspan="2">Loc</th> <th colspan="3">Gravity</th> <th colspan="3">Non-Gravity</th> </tr> <tr> <th>R+</th> <th>/R-</th> <th>/Rh</th> <th>/Rw</th> <th>/U</th> <th>/RL</th> </tr> </thead> <tbody> <tr> <td>B</td> <td>510</td> <td>-</td> <td>-</td> <td>/234</td> <td>/31</td> <td>/63</td> </tr> <tr> <td>E</td> <td>383</td> <td>-</td> <td>-</td> <td>/201</td> <td>/4</td> <td>-</td> </tr> </tbody> </table>	Loc	Gravity			Non-Gravity			R+	/R-	/Rh	/Rw	/U	/RL	B	510	-	-	/234	/31	/63	E	383	-	-	/201	/4	-
				Loc		Gravity			Non-Gravity																						
R+	/R-	/Rh	/Rw		/U	/RL																									
B	510	-	-	/234	/31	/63																									
E	383	-	-	/201	/4	-																									
Maximum Top Chord Forces Per Ply (lbs) <table border="1"> <thead> <tr> <th>Chords</th> <th>Tens.Comp.</th> </tr> </thead> <tbody> <tr> <td>B - C</td> <td>175 -791</td> </tr> </tbody> </table>				Chords	Tens.Comp.	B - C	175 -791																								
Chords	Tens.Comp.																														
B - C	175 -791																														

Lumber

Top chord: 2x4 SP #2;
 Bot chord: 2x4 SP #2;
 Webs: 2x4 SP #3;

Wind

Wind loads based on MWFRS with additional C&C member design.
 Right end vertical not exposed to wind pressure.
 Wind loading based on both gable and hip roof types.

Additional Notes

The overall height of this truss excluding overhang is 2-9-14.

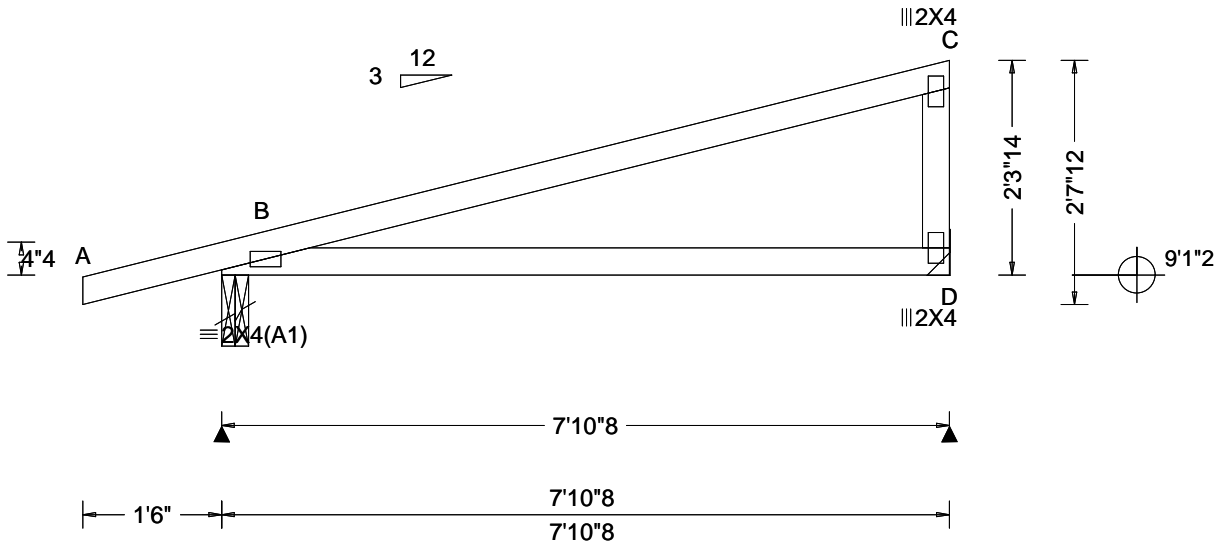


COA #0278

Florida Certificate of Product Approval #FL 1999

****WARNING** READ AND FOLLOW ALL NOTES ON THIS DRAWING!**
****IMPORTANT** FURNISH THIS DRAWING TO ALL CONTRACTORS INCLUDING THE INSTALLERS**
 Trusses require extreme care in fabricating, handling, shipping, installing and bracing. Refer to and follow the latest edition of BCSI (Building Component Safety Information, by TPI and SBCA) for safety practices prior to performing these functions. Installers shall provide temporary bracing per BCSI. Unless noted otherwise, top chord shall have properly attached structural sheathing and bottom chord shall have a properly attached rigid ceiling. Locations shown for permanent lateral restraint of webs shall have continuous lateral restraint (CLR), installed with diagonal bracing installed on the CLR per BCSI sections B3, B7, or B10, as applicable. Apply plates to each face of truss and position as shown above and on the Joint Details, unless noted otherwise. Refer to drawings 160A-Z for standard plate positions. Refer to job's General Notes page for additional information.
 Alpine, a division of ITW Building Components Group Inc. shall not be responsible for any deviation from this drawing, any failure to build the truss in conformance with ANSI/TPI 1, or for handling, shipping, installation and bracing of trusses. A seal on this drawing or cover page listing this drawing, indicates acceptance of professional engineering responsibility solely for the design shown. The suitability and use of this drawing for any structure is the responsibility of the Building Designer per ANSI/TPI 1 Sec.2.
 For more information see these web sites: Alpine: alpineitw.com; TPI: tpinst.org; SBCA: sbcacomponents.com; ICC: iccsafe.org; AWC: awc.org





Loading Criteria (psf)	Wind Criteria	Snow Criteria (Pg,Pf in PSF)	Defl/CSI Criteria	▲ Maximum Reactions (lbs)
TCLL: 20.00 TCDL: 10.00 BCLL: 0.00 BCDL: 10.00 Des Ld: 40.00 NCBCLL: 10.00 Soffit: 2.00 Load Duration: 1.25 Spacing: 24.0 "	Wind Std: ASCE 7-22 Speed: 130 mph Enclosure: Enclosed Risk Category: II EXP: B Kzt: NA Mean Height: 15.00 ft TCDL: 5.0 psf BCDL: 5.0 psf MWFRS Parallel Dist: h/2 to h C&C Dist a: 3.00 ft Loc. from endwall: not in 9.00 ft GCp: 0.18 Wind Duration: 1.60	Pg: NA Ct: NA CAT: NA Pf: NA Ce: NA Lu: NA Cs: NA Snow Duration: NA Building Code: FBC 8th Ed. 2023 Res. TPI Std: 2014 Rep Fac: No FT/RT:20(0)/10(0) Plate Type(s): WAVE	PP Deflection in loc L/defl L/# VERT(LL): NA VERT(CL): NA HORZ(LL): 0.027 B - - HORZ(TL): 0.036 B - - Creep Factor: 2.0 Max TC CSI: 0.786 Max BC CSI: 0.566 Max Web CSI: 0.301 VIEW Ver: 24.02.00D.0114.10	Gravity Loc R+ / R- / Rh / Rw / U / RL Non-Gravity B 432 /- /- /194 /33 /54 D 300 /- /- /160 /18 /- Wind reactions based on MWFRS B Brg Wid = 3.5 Min Req = 1.5 (Truss) D Brg Wid = - Min Req = - Bearing B is a rigid surface. Members not listed have forces less than 375#

Lumber

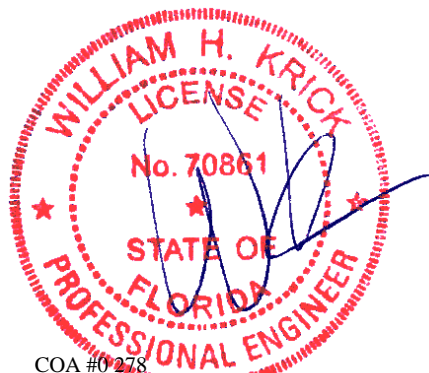
Top chord: 2x4 SP #2;
Bot chord: 2x4 SP #2;
Webs: 2x4 SP #3;

Wind

Wind loads based on MWFRS with additional C&C member design.
Right end vertical not exposed to wind pressure.
Wind loading based on both gable and hip roof types.

Additional Notes

The overall height of this truss excluding overhang is 2-3-14.

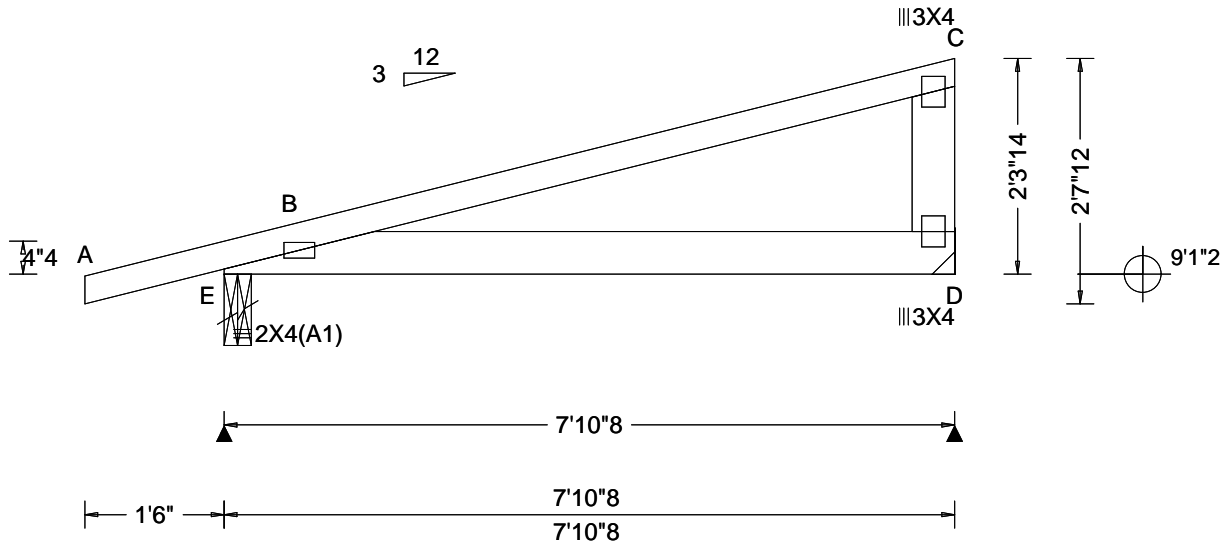


COA #0278

02/12/2026
Florida Certificate of Product Approval #FL 1999

****WARNING** READ AND FOLLOW ALL NOTES ON THIS DRAWING!**
****IMPORTANT** FURNISH THIS DRAWING TO ALL CONTRACTORS INCLUDING THE INSTALLERS**
Trusses require extreme care in fabricating, handling, shipping, installing and bracing. Refer to and follow the latest edition of BCSI (Building Component Safety Information, by TPI and SBCA) for safety practices prior to performing these functions. Installers shall provide temporary bracing per BCSI. Unless noted otherwise, top chord shall have properly attached structural sheathing and bottom chord shall have a properly attached rigid ceiling. Locations shown for permanent lateral restraint of webs shall have continuous lateral restraint (CLR), installed with diagonal bracing installed on the CLR per BCSI sections B3, B7, or B10, as applicable. Apply plates to each face of truss and position as shown above and on the Joint Details, unless noted otherwise. Refer to drawings 160A-Z for standard plate positions. Refer to job's General Notes page for additional information.
Alpine, a division of ITW Building Components Group Inc. shall not be responsible for any deviation from this drawing, any failure to build the truss in conformance with ANSI/TPI 1, or for handling, shipping, installation and bracing of trusses. A seal on this drawing or cover page listing this drawing, indicates acceptance of professional engineering responsibility solely for the design shown. The suitability and use of this drawing for any structure is the responsibility of the Building Designer per ANSI/TPI 1 Sec.2.
For more information see these web sites: Alpine: alpineitw.com; TPI: tpinst.org; SBCA: sbccomponents.com; ICC: iccsafe.org; AWC: awc.org





Loading Criteria (psf) TCLL: 20.00 TCDL: 10.00 BCLL: 0.00 BCDL: 10.00 Des Ld: 40.00 NCBCLL: 10.00 Soffit: 2.00 Load Duration: 1.25 Spacing: 24.0 "	Wind Criteria Wind Std: ASCE 7-22 Speed: 130 mph Enclosure: Enclosed Risk Category: II EXP: B Kzt: NA Mean Height: 15.00 ft TCDL: 5.0 psf BCDL: 5.0 psf MWFRS Parallel Dist: 0 to h/2 C&C Dist a: 3.00 ft Loc. from endwall: not in 9.00 ft GCpi: 0.18 Wind Duration: 1.60	Snow Criteria (Pg,Pf in PSF) Pg: NA Ct: NA CAT: NA Pf: NA Ce: NA Lu: NA Cs: NA Snow Duration: NA Building Code: FBC 8th Ed. 2023 Res. TPI Std: 2014 Rep Fac: Varies by Ld Case FT/RT:20(0)/10(0) Plate Type(s): WAVE	Defl/CSI Criteria PP Deflection in loc L/defl L/# VERT(LL): NA VERT(CL): NA HORZ(LL): 0.014 B - - HORZ(TL): 0.028 B - - Creep Factor: 2.0 Max TC CSI: 0.611 Max BC CSI: 0.561 Max Web CSI: 0.151 VIEW Ver: 24.02.00D.0114.10	▲ Maximum Reactions (lbs) Gravity Loc R+ / R- / Rh / Rw / U / RL Non-Gravity E 488 /- /- /- /38 /- D 777 /- /- /- /17 /- Wind reactions based on MWFRS E Brg Wid = 3.5 Min Req = 1.5 (Truss) D Brg Wid = - Min Req = - Bearing E is a rigid surface. Members not listed have forces less than 375#
--------------------------------------------------------------------------------------------------------------------------------------------------------------------------------------	--------------------------------------------------------------------------------------------------------------------------------------------------------------------------------------------------------------------------------------------------------------------------------------------------------------------------	------------------------------------------------------------------------------------------------------------------------------------------------------------------------------------------------------------------------------------------------------------------	-----------------------------------------------------------------------------------------------------------------------------------------------------------------------------------------------------------------------------------------------------------------------	-----------------------------------------------------------------------------------------------------------------------------------------------------------------------------------------------------------------------------------------------------------------------------------------------------------------------------------------

Lumber

Top chord: 2x4 SP #2;
Bot chord: 2x6 SP #2;
Webs: 2x6 SP #2;

Special Loads

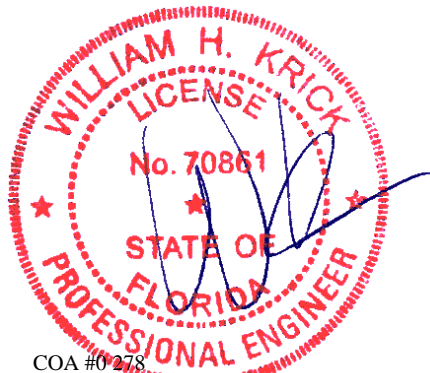
----(Lumber Dur.Fac.=1.25 / Plate Dur.Fac.=1.25)
TC: From 61 plf at -1.50 to 61 plf at 7.88
BC: From 4 plf at -1.50 to 4 plf at 0.00
BC: From 20 plf at 0.00 to 20 plf at 7.88
BC: 532 lb Conc. Load at 7.06

Wind

Wind loads and reactions based on MWFRS.
Right end vertical not exposed to wind pressure.
Wind loading based on both gable and hip roof types.

Additional Notes

The overall height of this truss excluding overhang is 2-3-14.

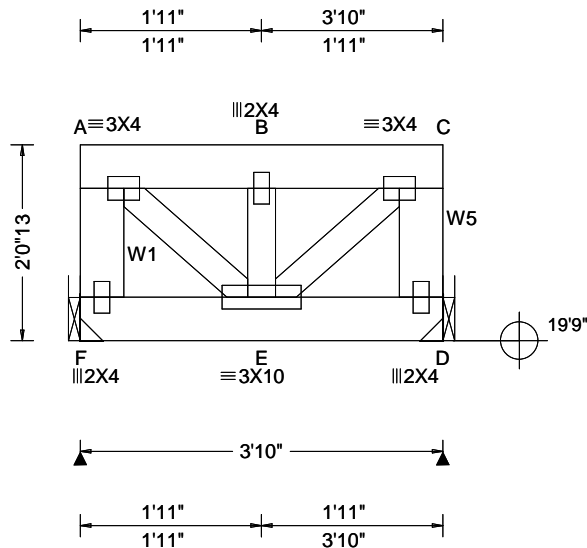


COA #0278

02/12/2026
Florida Certificate of Product Approval #FL 1999

****WARNING** READ AND FOLLOW ALL NOTES ON THIS DRAWING!**
****IMPORTANT** FURNISH THIS DRAWING TO ALL CONTRACTORS INCLUDING THE INSTALLERS**
Trusses require extreme care in fabricating, handling, shipping, installing and bracing. Refer to and follow the latest edition of BCSI (Building Component Safety Information, by TPI and SBCA) for safety practices prior to performing these functions. Installers shall provide temporary bracing per BCSI. Unless noted otherwise, top chord shall have properly attached structural sheathing and bottom chord shall have a properly attached rigid ceiling. Locations shown for permanent lateral restraint of webs shall have continuous lateral restraint (CLR), installed with diagonal bracing installed on the CLR per BCSI sections B3, B7, or B10, as applicable. Apply plates to each face of truss and position as shown above and on the Joint Details, unless noted otherwise. Refer to drawings 160A-Z for standard plate positions. Refer to job's General Notes page for additional information.
Alpine, a division of ITW Building Components Group Inc. shall not be responsible for any deviation from this drawing, any failure to build the truss in conformance with ANSI/TPI 1, or for handling, shipping, installation and bracing of trusses. A seal on this drawing or cover page listing this drawing, indicates acceptance of professional engineering responsibility solely for the design shown. The suitability and use of this drawing for any structure is the responsibility of the Building Designer per ANSI/TPI 1 Sec.2.
For more information see these web sites: Alpine: alpineitw.com; TPI: tpinst.org; SBCA: sbccomponents.com; ICC: iccsafe.org; AWC: awc.org





Loading Criteria (psf) TCLL: 20.00 TCCL: 10.00 BCCL: 0.00 BCDL: 10.00 Des Ld: 40.00 NCBCLL: 10.00 Soffit: 2.00 Load Duration: 1.25 Spacing: 24.0 "	Wind Criteria Wind Std: ASCE 7-22 Speed: 130 mph Enclosure: Enclosed Risk Category: II EXP: B Kzt: NA Mean Height: 21.82 ft TCCL: 5.0 psf BCDL: 5.0 psf MWFRS Parallel Dist: 0 to h/2 C&C Dist a: NA Loc. from endwall: not in 14.50 ft GCp: 0.18 Wind Duration: 1.60	Snow Criteria (Pg,Pf in PSF) Pg: NA Ct: NA CAT: NA Pf: NA Ce: NA Lu: NA Cs: NA Snow Duration: NA Building Code: FBC 8th Ed. 2023 Res. TPI Std: 2014 Rep Fac: Varies by Ld Case FT/RT:20(0)/10(0) Plate Type(s): WAVE	Defl/CSI Criteria PP Deflection in loc L/defl L/# VERT(LL): 0.013 B 999 360 VERT(CL): 0.014 B 999 240 HORZ(LL): 0.002 A - - HORZ(TL): 0.002 A - - Creep Factor: 2.0 Max TC CSI: 0.127 Max BC CSI: 0.101 Max Web CSI: 0.373 VIEW Ver: 24.02.00D.0114.10	▲ Maximum Reactions (lbs) <table border="1"> <thead> <tr> <th colspan="3">Gravity</th> <th colspan="3">Non-Gravity</th> </tr> <tr> <th>Loc</th> <th>R+</th> <th>/R-</th> <th>/Rh</th> <th>/Rw</th> <th>/U</th> <th>/RL</th> </tr> </thead> <tbody> <tr> <td>F</td> <td>887</td> <td>/-</td> <td>/-</td> <td>/-</td> <td>/41</td> <td>/-</td> </tr> <tr> <td>D</td> <td>894</td> <td>/-</td> <td>/-</td> <td>/-</td> <td>/41</td> <td>/-</td> </tr> </tbody> </table>						Gravity			Non-Gravity			Loc	R+	/R-	/Rh	/Rw	/U	/RL	F	887	/-	/-	/-	/41	/-	D	894	/-	/-	/-	/41	/-
				Gravity			Non-Gravity																													
Loc	R+	/R-	/Rh	/Rw	/U	/RL																														
F	887	/-	/-	/-	/41	/-																														
D	894	/-	/-	/-	/41	/-																														
Maximum Top Chord Forces Per Ply (lbs) <table border="1"> <thead> <tr> <th>Chords</th> <th>Tens.Comp.</th> <th>Chords</th> <th>Tens. Comp.</th> </tr> </thead> <tbody> <tr> <td>A - B</td> <td>26 -765</td> <td>B - C</td> <td>26 -765</td> </tr> </tbody> </table>				Chords	Tens.Comp.	Chords	Tens. Comp.	A - B	26 -765	B - C	26 -765	Maximum Web Forces Per Ply (lbs) <table border="1"> <thead> <tr> <th>Webs</th> <th>Tens.Comp.</th> <th>Webs</th> <th>Tens. Comp.</th> </tr> </thead> <tbody> <tr> <td>A - F</td> <td>47 -810</td> <td>E - C</td> <td>979 -33</td> </tr> <tr> <td>A - E</td> <td>979 -33</td> <td>C - D</td> <td>47 -817</td> </tr> <tr> <td>B - E</td> <td>69 -1338</td> <td></td> <td></td> </tr> </tbody> </table>		Webs	Tens.Comp.	Webs	Tens. Comp.	A - F	47 -810	E - C	979 -33	A - E	979 -33	C - D	47 -817	B - E	69 -1338									
Chords	Tens.Comp.	Chords	Tens. Comp.																																	
A - B	26 -765	B - C	26 -765																																	
Webs	Tens.Comp.	Webs	Tens. Comp.																																	
A - F	47 -810	E - C	979 -33																																	
A - E	979 -33	C - D	47 -817																																	
B - E	69 -1338																																			

Lumber
 Top chord: 2x6 SP #2;
 Bot chord: 2x6 SP #2;
 Webs: 2x4 SP #3; W1,W5 2x6 SP #2;

Special Loads
 ----(Lumber Dur.Fac.=1.25 / Plate Dur.Fac.=1.25)
 TC: From 60 plf at 0.00 to 60 plf at 0.08
 TC: From 144 plf at 0.08 to 144 plf at 3.75
 TC: From 60 plf at 3.75 to 60 plf at 3.83
 BC: From 20 plf at 0.00 to 20 plf at 3.83
 BC: 1166 lb Conc. Load at 1.93

Purlins
 The TC of this truss shall be braced with attached spans at 24" oc in lieu of structural sheathing.

Wind
 Wind loads and reactions based on MWFRS.
 End verticals not exposed to wind pressure.

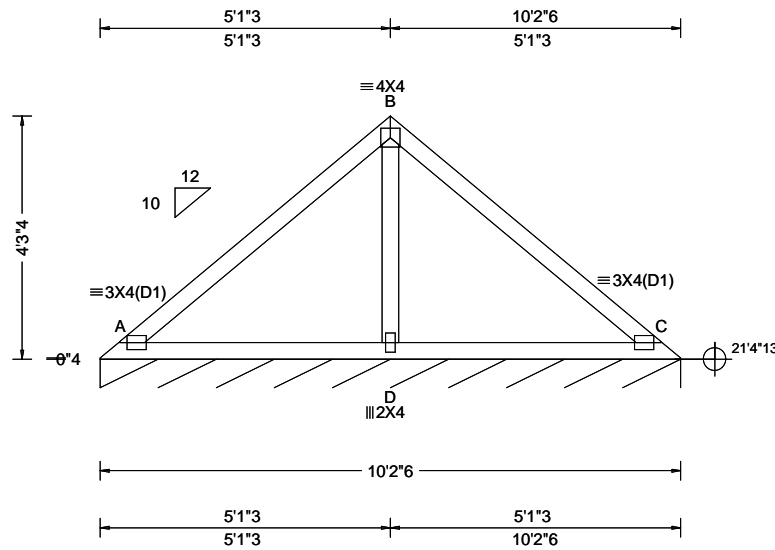
Additional Notes
 Truss must be installed as shown with top chord up.
 The overall height of this truss excluding overhang is 2-0-13.



COA #0278
 02/13/2026
 Florida Certificate of Product Approval #FL 1999

****WARNING** READ AND FOLLOW ALL NOTES ON THIS DRAWING!**
****IMPORTANT** FURNISH THIS DRAWING TO ALL CONTRACTORS INCLUDING THE INSTALLERS**
 Trusses require extreme care in fabricating, handling, shipping, installing and bracing. Refer to and follow the latest edition of BCSI (Building Component Safety Information, by TPI and SBCA) for safety practices prior to performing these functions. Installers shall provide temporary bracing per BCSI. Unless noted otherwise, top chord shall have properly attached structural sheathing and bottom chord shall have a properly attached rigid ceiling. Locations shown for permanent lateral restraint of webs shall have continuous lateral restraint (CLR), installed with diagonal bracing installed on the CLR per BCSI sections B3, B7, or B10, as applicable. Apply plates to each face of truss and position as shown above and on the Joint Details, unless noted otherwise. Refer to drawings 160A-Z for standard plate positions. Refer to job's General Notes page for additional information.
 Alpine, a division of ITW Building Components Group Inc. shall not be responsible for any deviation from this drawing, any failure to build the truss in conformance with ANSI/TPI 1, or for handling, shipping, installation and bracing of trusses. A seal on this drawing or cover page listing this drawing, indicates acceptance of professional engineering responsibility solely for the design shown. The suitability and use of this drawing for any structure is the responsibility of the Building Designer per ANSI/TPI 1 Sec.2.
 For more information see these web sites: Alpine: alpineitw.com; TPI: tpinst.org; SBCA: sbcacomponents.com; ICC: iccsafe.org; AWC: awc.org





Loading Criteria (psf) TCLL: 20.00 TC DL: 10.00 BCLL: 0.00 BCDL: 10.00 Des Ld: 40.00 NCBCLL: 10.00 Soffit: 2.00 Load Duration: 1.25 Spacing: 24.0 "	Wind Criteria Wind Std: ASCE 7-22 Speed: 130 mph Enclosure: Enclosed Risk Category: II EXP: B Kzt: NA Mean Height: 23.69 ft TC DL: 5.0 psf BCDL: 5.0 psf MWFRS Parallel Dist: h/2 to h C&C Dist a: 3.00 ft Loc. from endwall: not in 9.00 ft GCp: 0.18 Wind Duration: 1.60	Snow Criteria (Pg,Pf in PSF) Pg: NA Ct: NA CAT: NA Pf: NA Ce: NA Lu: NA Cs: NA Snow Duration: NA Building Code: FBC 8th Ed. 2023 Res. TPI Std: 2014 Rep Fac: No FT/RT:20(0)/10(0) Plate Type(s): WAVE	Defl/CSI Criteria PP Deflection in loc L/defl L/# VERT(LL): 0.011 C 999 360 VERT(CL): 0.025 C 999 240 HORZ(LL): -0.007 C - - HORZ(TL): 0.015 C - - Creep Factor: 2.0 Max TC CSI: 0.379 Max BC CSI: 0.318 Max Web CSI: 0.183 VIEW Ver: 24.02.00D.0114.10	▲ Maximum Reactions (lbs), or *PLF <table style="width:100%; border-collapse: collapse;"> <thead> <tr> <th colspan="2"></th> <th colspan="3">Gravity</th> <th colspan="3">Non-Gravity</th> </tr> <tr> <th>Loc</th> <th>R+</th> <th>/R-</th> <th>/Rh</th> <th>/Rw</th> <th>/U</th> <th>/RL</th> <th></th> </tr> </thead> <tbody> <tr> <td>C*</td> <td>86</td> <td>/-</td> <td>/-</td> <td>/46</td> <td>/-</td> <td>/8</td> <td></td> </tr> </tbody> </table> Wind reactions based on MWFRS C Brg Wid = 122 Min Req = - Bearing A is a rigid surface. Members not listed have forces less than 375# Maximum Web Forces Per Ply (lbs) <table style="width:100%; border-collapse: collapse;"> <thead> <tr> <th>Webs</th> <th>Tens.Comp.</th> <th></th> </tr> </thead> <tbody> <tr> <td>B - D</td> <td>256</td> <td>-563</td> </tr> </tbody> </table>			Gravity			Non-Gravity			Loc	R+	/R-	/Rh	/Rw	/U	/RL		C*	86	/-	/-	/46	/-	/8		Webs	Tens.Comp.		B - D	256	-563
		Gravity			Non-Gravity																													
Loc	R+	/R-	/Rh	/Rw	/U	/RL																												
C*	86	/-	/-	/46	/-	/8																												
Webs	Tens.Comp.																																	
B - D	256	-563																																

Lumber

Top chord: 2x4 SP #2;
 Bot chord: 2x4 SP #2;
 Webs: 2x4 SP #3;

Wind

Wind loads based on MWFRS with additional C&C member design.
 Wind loading based on both gable and hip roof types.

Additional Notes

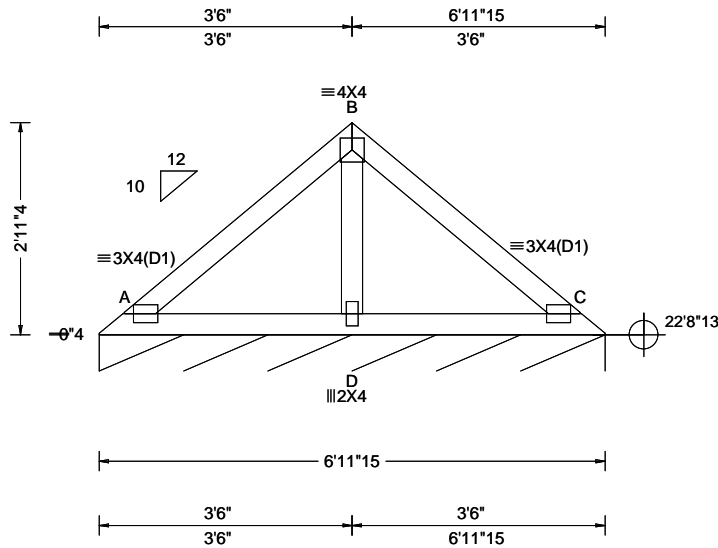
See DWGS VALTN220723 and VAL180220723 for valley details.
 The overall height of this truss excluding overhang is 4-3-4.



COA #0278
 02/12/2026
 Florida Certificate of Product Approval #FL 1999

****WARNING** READ AND FOLLOW ALL NOTES ON THIS DRAWING!**
****IMPORTANT** FURNISH THIS DRAWING TO ALL CONTRACTORS INCLUDING THE INSTALLERS**
 Trusses require extreme care in fabricating, handling, shipping, installing and bracing. Refer to and follow the latest edition of BCSI (Building Component Safety Information, by TPI and SBCA) for safety practices prior to performing these functions. Installers shall provide temporary bracing per BCSI. Unless noted otherwise, top chord shall have properly attached structural sheathing and bottom chord shall have a properly attached rigid ceiling. Locations shown for permanent lateral restraint of webs shall have continuous lateral restraint (CLR), installed with diagonal bracing installed on the CLR per BCSI sections B3, B7, or B10, as applicable. Apply plates to each face of truss and position as shown above and on the Joint Details, unless noted otherwise. Refer to drawings 160A-Z for standard plate positions. Refer to job's General Notes page for additional information.
 Alpine, a division of ITW Building Components Group Inc. shall not be responsible for any deviation from this drawing, any failure to build the truss in conformance with ANSI/TPI 1, or for handling, shipping, installation and bracing of trusses. A seal on this drawing or cover page listing this drawing, indicates acceptance of professional engineering responsibility solely for the design shown. The suitability and use of this drawing for any structure is the responsibility of the Building Designer per ANSI/TPI 1 Sec.2.
 For more information see these web sites: Alpine: alpineitw.com; TPI: tpinst.org; SBCA: sbccomponents.com; ICC: iccsafe.org; AWC: awc.org





Loading Criteria (psf) TCCL: 20.00 TCCL: 10.00 BCLL: 0.00 BCDL: 10.00 Des Ld: 40.00 NCBCLL: 10.00 Soffit: 2.00 Load Duration: 1.25 Spacing: 24.0 "	Wind Criteria Wind Std: ASCE 7-22 Speed: 130 mph Enclosure: Enclosed Risk Category: II EXP: B Kzt: NA Mean Height: 24.35 ft TCCL: 5.0 psf BCDL: 5.0 psf MWFRS Parallel Dist: h/2 to h C&C Dist a: 3.00 ft Loc. from endwall: not in 9.00 ft GCpi: 0.18 Wind Duration: 1.60	Snow Criteria (Pg,Pf in PSF) Pg: NA Ct: NA CAT: NA Pf: NA Ce: NA Lu: NA Cs: NA Snow Duration: NA Building Code: FBC 8th Ed. 2023 Res. TPI Std: 2014 Rep Fac: No FT/RT:20(0)/10(0) Plate Type(s): WAVE	Defl/CSI Criteria PP Deflection in loc L/defl L/# VERT(LL): 0.004 C 999 360 VERT(CL): 0.008 C 999 240 HORZ(LL): -0.002 C - - HORZ(TL): 0.005 C - - Creep Factor: 2.0 Max TC CSI: 0.159 Max BC CSI: 0.136 Max Web CSI: 0.066 VIEW Ver: 24.02.00D.0114.10	▲ Maximum Reactions (lbs), or *=PLF <table border="1"> <thead> <tr> <th colspan="3">Gravity</th> <th colspan="3">Non-Gravity</th> </tr> <tr> <th>Loc</th> <th>R+</th> <th>/R-</th> <th>/Rh</th> <th>/Rw</th> <th>/U /RL</th> </tr> </thead> <tbody> <tr> <td>C*</td> <td>85</td> <td>/-</td> <td>/-</td> <td>/45</td> <td>/-</td> </tr> </tbody> </table> Wind reactions based on MWFRS C Brg Wid = 84.0 Min Req = - Bearing A is a rigid surface. Members not listed have forces less than 375#	Gravity			Non-Gravity			Loc	R+	/R-	/Rh	/Rw	/U /RL	C*	85	/-	/-	/45	/-
Gravity			Non-Gravity																			
Loc	R+	/R-	/Rh	/Rw	/U /RL																	
C*	85	/-	/-	/45	/-																	

Lumber

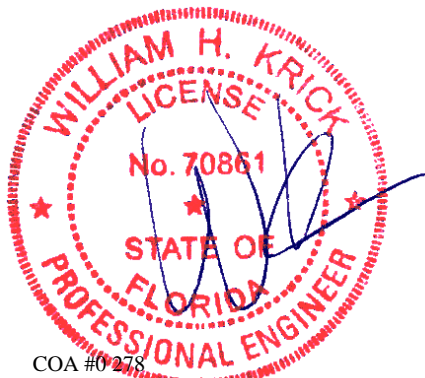
Top chord: 2x4 SP #2;
 Bot chord: 2x4 SP #2;
 Webs: 2x4 SP #3;

Wind

Wind loads based on MWFRS with additional C&C member design.
 Wind loading based on both gable and hip roof types.

Additional Notes

See DWGS VALTN220723 and VAL180220723 for valley details.
 The overall height of this truss excluding overhang is 2-11-4.

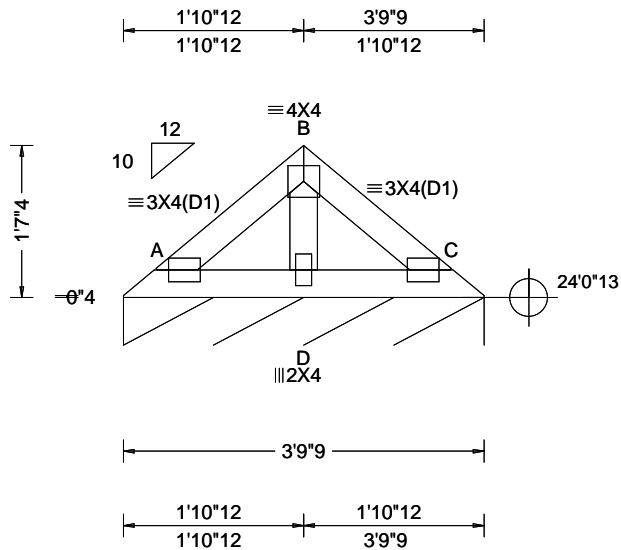


COA #0278

02/12/2026 Florida Certificate of Product Approval #FL 1999

****WARNING** READ AND FOLLOW ALL NOTES ON THIS DRAWING!**
****IMPORTANT** FURNISH THIS DRAWING TO ALL CONTRACTORS INCLUDING THE INSTALLERS**
 Trusses require extreme care in fabricating, handling, shipping, installing and bracing. Refer to and follow the latest edition of BCSI (Building Component Safety Information, by TPI and SBCA) for safety practices prior to performing these functions. Installers shall provide temporary bracing per BCSI. Unless noted otherwise, top chord shall have properly attached structural sheathing and bottom chord shall have a properly attached rigid ceiling. Locations shown for permanent lateral restraint of webs shall have continuous lateral restraint (CLR), installed with diagonal bracing installed on the CLR per BCSI sections B3, B7, or B10, as applicable. Apply plates to each face of truss and position as shown above and on the Joint Details, unless noted otherwise. Refer to drawings 160A-Z for standard plate positions. Refer to job's General Notes page for additional information.
 Alpine, a division of ITW Building Components Group Inc. shall not be responsible for any deviation from this drawing, any failure to build the truss in conformance with ANSI/TPI 1, or for handling, shipping, installation and bracing of trusses. A seal on this drawing or cover page listing this drawing, indicates acceptance of professional engineering responsibility solely for the design shown. The suitability and use of this drawing for any structure is the responsibility of the Building Designer per ANSI/TPI 1 Sec.2.
 For more information see these web sites: Alpine: alpineitw.com; TPI: tpinst.org; SBCA: sbccomponents.com; ICC: iccsafe.org; AWC: awc.org





Loading Criteria (psf)	Wind Criteria	Snow Criteria (Pg,Pf in PSF)	Defl/CSI Criteria	▲ Maximum Reactions (lbs), or *=PLF
TCLL: 20.00 TC DL: 10.00 BCLL: 0.00 BCDL: 10.00 Des Ld: 40.00 NCBCLL: 10.00 Soffit: 2.00 Load Duration: 1.25 Spacing: 24.0 "	Wind Std: ASCE 7-22 Speed: 130 mph Enclosure: Enclosed Risk Category: II EXP: B Kzt: NA Mean Height: 25.02 ft TC DL: 5.0 psf BCDL: 5.0 psf MWFRS Parallel Dist: h/2 to h C&C Dist a: 3.00 ft Loc. from endwall: not in 9.00 ft GCp: 0.18 Wind Duration: 1.60	Pg: NA Ct: NA CAT: NA Pf: NA Ce: NA Lu: NA Cs: NA Snow Duration: NA Building Code: FBC 8th Ed. 2023 Res. TPI Std: 2014 Rep Fac: No FT/RT:20(0)/10(0) Plate Type(s): WAVE	PP Deflection in loc L/defl L/# VERT(LL): 0.001 C 999 360 VERT(CL): 0.001 C 999 240 HORZ(LL): -0.000 C - - HORZ(TL): 0.001 C - - Creep Factor: 2.0 Max TC CSI: 0.036 Max BC CSI: 0.026 Max Web CSI: 0.023 VIEW Ver: 24.02.00D.0114.10	Gravity Non-Gravity Loc R+ / R- / Rh / Rw / U / RL C* 85 /- /- /42 /- /7 Wind reactions based on MWFRS C Brg Wid = 45.6 Min Req = - Bearing A is a rigid surface. Members not listed have forces less than 375#

Lumber

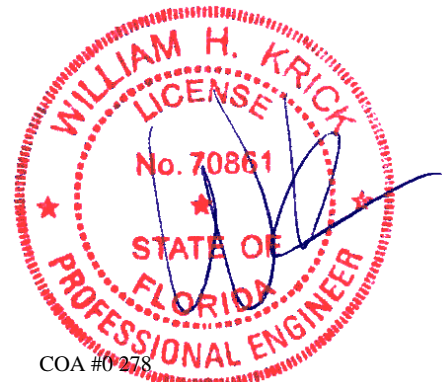
Top chord: 2x4 SP #2;
 Bot chord: 2x4 SP #2;
 Webs: 2x4 SP #3;

Wind

Wind loads based on MWFRS with additional C&C member design.
 Wind loading based on both gable and hip roof types.

Additional Notes

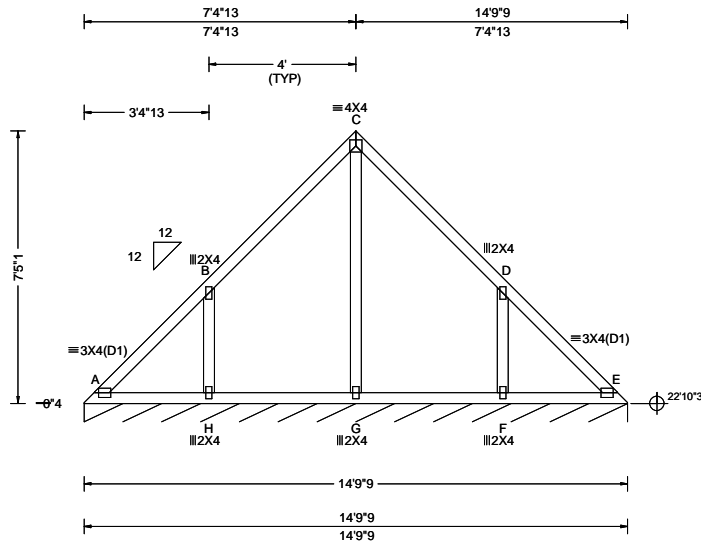
See DWGS VALTN220723 and VAL180220723 for valley details.
 The overall height of this truss excluding overhang is 1-7-4.



COA #0278
 02/12/2026
 Florida Certificate of Product Approval #FL 1999

****WARNING** READ AND FOLLOW ALL NOTES ON THIS DRAWING!**
****IMPORTANT** FURNISH THIS DRAWING TO ALL CONTRACTORS INCLUDING THE INSTALLERS**
 Trusses require extreme care in fabricating, handling, shipping, installing and bracing. Refer to and follow the latest edition of BCSI (Building Component Safety Information, by TPI and SBCA) for safety practices prior to performing these functions. Installers shall provide temporary bracing per BCSI. Unless noted otherwise, top chord shall have properly attached structural sheathing and bottom chord shall have a properly attached rigid ceiling. Locations shown for permanent lateral restraint of webs shall have continuous lateral restraint (CLR), installed with diagonal bracing installed on the CLR per BCSI sections B3, B7, or B10, as applicable. Apply plates to each face of truss and position as shown above and on the Joint Details, unless noted otherwise. Refer to drawings 160A-Z for standard plate positions. Refer to job's General Notes page for additional information.
 Alpine, a division of ITW Building Components Group Inc. shall not be responsible for any deviation from this drawing, any failure to build the truss in conformance with ANSI/TPI 1, or for handling, shipping, installation and bracing of trusses. A seal on this drawing or cover page listing this drawing, indicates acceptance of professional engineering responsibility solely for the design shown. The suitability and use of this drawing for any structure is the responsibility of the Building Designer per ANSI/TPI 1 Sec.2.
 For more information see these web sites: Alpine: alpineitw.com; TPI: tpinst.org; SBCA: sbcacomponents.com; ICC: iccsafe.org; AWC: awc.org





Loading Criteria (psf) TCLL: 20.00 TCCL: 10.00 BCLL: 0.00 BCDL: 10.00 Des Ld: 40.00 NCBCLL: 10.00 Soffit: 2.00 Load Duration: 1.25 Spacing: 24.0 "	Wind Criteria Wind Std: ASCE 7-22 Speed: 130 mph Enclosure: Enclosed Risk Category: II EXP: B Kzt: NA Mean Height: 26.71 ft TCCL: 5.0 psf BCDL: 5.0 psf MWFRS Parallel Dist: 0 to h/2 C&C Dist a: 3.00 ft Loc. from endwall: not in 9.00 ft GCp: 0.18 Wind Duration: 1.60	Snow Criteria (Pg,Pf in PSF) Pg: NA Ct: NA CAT: NA Pf: NA Ce: NA Lu: NA Cs: NA Snow Duration: NA Building Code: FBC 8th Ed. 2023 Res. TPI Std: 2014 Rep Fac: Yes FT/RT:20(0)/10(0) Plate Type(s): WAVE	Defl/CSI Criteria PP Deflection in loc L/defl L/# VERT(LL): 0.002 A 999 360 VERT(CL): 0.004 A 999 240 HORZ(LL): -0.001 E - - HORZ(TL): 0.004 B - - Creep Factor: 2.0 Max TC CSI: 0.273 Max BC CSI: 0.120 Max Web CSI: 0.184 VIEW Ver: 24.02.00D.0114.10	▲ Maximum Reactions (lbs), or *=PLF <table style="width:100%; border-collapse: collapse;"> <thead> <tr> <th colspan="2"></th> <th colspan="3">Gravity</th> <th colspan="3">Non-Gravity</th> </tr> <tr> <th>Loc</th> <th>R+</th> <th>/R-</th> <th>/Rh</th> <th>/Rw</th> <th>/U</th> <th>/RL</th> </tr> </thead> <tbody> <tr> <td>E*</td> <td>88</td> <td>/-</td> <td>/-</td> <td>/49</td> <td>/10</td> <td>/11</td> </tr> </tbody> </table> Wind reactions based on MWFRS E Brg Wid = 177 Min Req = - Bearing A is a rigid surface. Members not listed have forces less than 375#			Gravity			Non-Gravity			Loc	R+	/R-	/Rh	/Rw	/U	/RL	E*	88	/-	/-	/49	/10	/11
		Gravity			Non-Gravity																					
Loc	R+	/R-	/Rh	/Rw	/U	/RL																				
E*	88	/-	/-	/49	/10	/11																				

Lumber

Top chord: 2x4 SP #2;
 Bot chord: 2x4 SP #2;
 Webs: 2x4 SP #3;

Wind

Wind loads based on MWFRS with additional C&C member design.
 Wind loading based on both gable and hip roof types.

Additional Notes

See DWGS VALTN220723 and VAL180220723 for valley details.
 The overall height of this truss excluding overhang is 7-5-1.



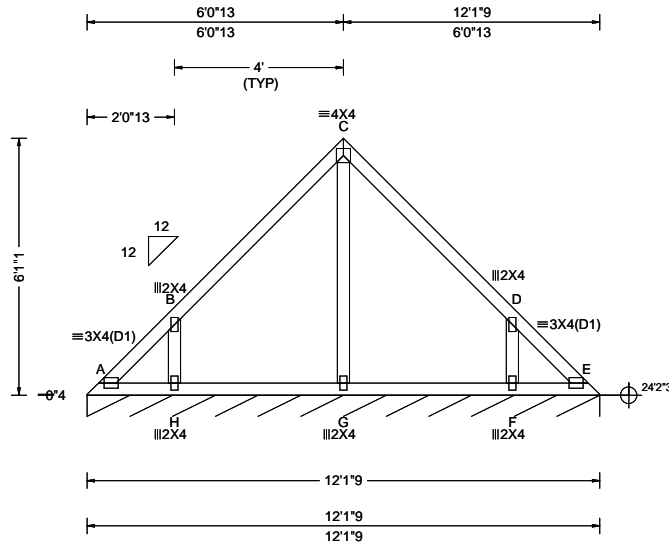
COA #0278

02/12/2026 Florida Certificate of Product Approval #FL 1999

****WARNING** READ AND FOLLOW ALL NOTES ON THIS DRAWING!**
****IMPORTANT** FURNISH THIS DRAWING TO ALL CONTRACTORS INCLUDING THE INSTALLERS**
 Trusses require extreme care in fabricating, handling, shipping, installing and bracing. Refer to and follow the latest edition of BCSI (Building Component Safety Information, by TPI and SBCA) for safety practices prior to performing these functions. Installers shall provide temporary bracing per BCSI. Unless noted otherwise, top chord shall have properly attached structural sheathing and bottom chord shall have a properly attached rigid ceiling. Locations shown for permanent lateral restraint of webs shall have continuous lateral restraint (CLR), installed with diagonal bracing installed on the CLR per BCSI sections B3, B7, or B10, as applicable. Apply plates to each face of truss and position as shown above and on the Joint Details, unless noted otherwise. Refer to drawings 160A-Z for standard plate positions. Refer to job's General Notes page for additional information.
 Alpine, a division of ITW Building Components Group Inc. shall not be responsible for any deviation from this drawing, any failure to build the truss in conformance with ANSI/TPI 1, or for handling, shipping, installation and bracing of trusses. A seal on this drawing or cover page listing this drawing, indicates acceptance of professional engineering responsibility solely for the design shown. The suitability and use of this drawing for any structure is the responsibility of the Building Designer per ANSI/TPI 1 Sec.2.
 For more information see these web sites: Alpine: alpineitw.com; TPI: tpinst.org; SBCA: sbccomponents.com; ICC: iccsafe.org; AWC: awc.org



SEQN: 725750 FROM: RFG	VAL Ply: 1 Qty: 1	Job Number: 25-2668B THOMAS RESIDENCE Truss Label: V11	Cust: R215 JRef: 1YHK2150006 T26 DrwNo: 043.26.1032.28637 GA / WHK 02/12/2026
---------------------------	-------------------------	--------------------------------------------------------------	-------------------------------------------------------------------------------------



Loading Criteria (psf) TCLL: 20.00 TCDL: 10.00 BCLL: 0.00 BCDL: 10.00 Des Ld: 40.00 NCBCLL: 10.00 Soffit: 2.00 Load Duration: 1.25 Spacing: 24.0 "	Wind Criteria Wind Std: ASCE 7-22 Speed: 130 mph Enclosure: Enclosed Risk Category: II EXP: B Kzt: NA Mean Height: 27.38 ft TCDL: 5.0 psf BCDL: 5.0 psf MWFRS Parallel Dist: h/2 to h C&C Dist a: 3.00 ft Loc. from endwall: not in 9.00 ft GCpi: 0.18 Wind Duration: 1.60	Snow Criteria (Pg,Pf in PSF) Pg: NA Ct: NA CAT: NA Pf: NA Ce: NA Lu: NA Cs: NA Snow Duration: NA Building Code: FBC 8th Ed. 2023 Res. TPI Std: 2014 Rep Fac: Yes FT/RT:20(0)/10(0) Plate Type(s): WAVE	Defl/CSI Criteria PP Deflection in loc L/defl L/# VERT(LL): 0.001 C 999 360 VERT(CL): 0.002 C 999 240 HORZ(LL): -0.001 A - - HORZ(TL): 0.003 B - - Creep Factor: 2.0 Max TC CSI: 0.232 Max BC CSI: 0.119 Max Web CSI: 0.095 VIEW Ver: 24.02.00D.0114.10	▲ Maximum Reactions (lbs), or *=PLF Gravity Non-Gravity Loc R+ /R- /Rh /Rw /U /RL E* 88 /- /- /49 /- /11 Wind reactions based on MWFRS E Brg Wid = 145 Min Req = - Bearing A is a rigid surface. Members not listed have forces less than 375#
--------------------------------------------------------------------------------------------------------------------------------------------------------------------------------------	--------------------------------------------------------------------------------------------------------------------------------------------------------------------------------------------------------------------------------------------------------------------------------------------------------------------------	----------------------------------------------------------------------------------------------------------------------------------------------------------------------------------------------------------------------------------------------------	--------------------------------------------------------------------------------------------------------------------------------------------------------------------------------------------------------------------------------------------------------------------------------------------------	----------------------------------------------------------------------------------------------------------------------------------------------------------------------------------------------------------------------------------------------------------------------------

Lumber

Top chord: 2x4 SP #2;
Bot chord: 2x4 SP #2;
Webs: 2x4 SP #3;

Wind

Wind loads based on MWFRS with additional C&C member design.
Wind loading based on both gable and hip roof types.

Additional Notes

See DWGS VALTN220723 and VAL180220723 for valley details.
The overall height of this truss excluding overhang is 6'-1-1/2".



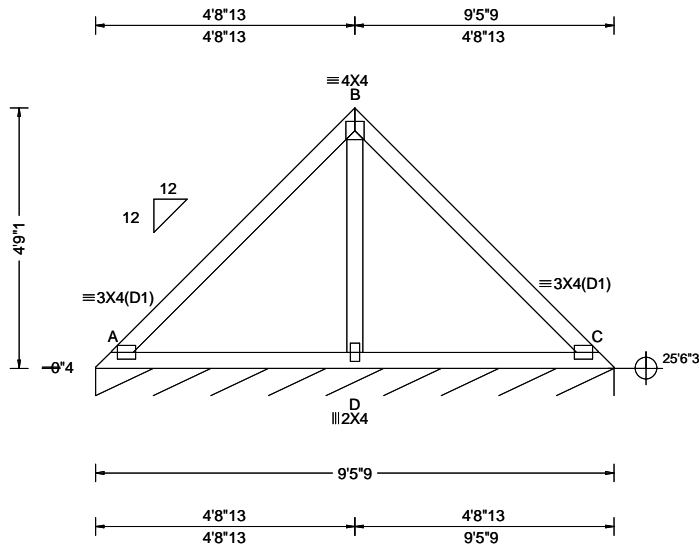
COA #0278

02/12/2026
Florida Certificate of Product Approval #FL 1999

****WARNING** READ AND FOLLOW ALL NOTES ON THIS DRAWING!**
****IMPORTANT** FURNISH THIS DRAWING TO ALL CONTRACTORS INCLUDING THE INSTALLERS**
Trusses require extreme care in fabricating, handling, shipping, installing and bracing. Refer to and follow the latest edition of BCSI (Building Component Safety Information, by TPI and SBCA) for safety practices prior to performing these functions. Installers shall provide temporary bracing per BCSI. Unless noted otherwise, top chord shall have properly attached structural sheathing and bottom chord shall have a properly attached rigid ceiling. Locations shown for permanent lateral restraint of webs shall have continuous lateral restraint (CLR), installed with diagonal bracing installed on the CLR per BCSI sections B3, B7, or B10, as applicable. Apply plates to each face of truss and position as shown above and on the Joint Details, unless noted otherwise. Refer to drawings 160A-Z for standard plate positions. Refer to job's General Notes page for additional information.
Alpine, a division of ITW Building Components Group Inc. shall not be responsible for any deviation from this drawing, any failure to build the truss in conformance with ANSI/TPI 1, or for handling, shipping, installation and bracing of trusses. A seal on this drawing or cover page listing this drawing, indicates acceptance of professional engineering responsibility solely for the design shown. The suitability and use of this drawing for any structure is the responsibility of the Building Designer per ANSI/TPI 1 Sec.2.
For more information see these web sites: Alpine: alpineitw.com; TPI: tpinst.org; SBCA: sbccomponents.com; ICC: iccsafe.org; AWC: awc.org



SEQN: 725751 FROM: RFG	VAL Ply: 1 Qty: 1	Job Number: 25-2668B THOMAS RESIDENCE Truss Label: V12	Cust: R215 JRef: 1YHK2150006 T37 DrwNo: 043.26.1032.32627 GA / WHK 02/12/2026
---------------------------	-------------------------	--------------------------------------------------------------	-------------------------------------------------------------------------------------



Loading Criteria (psf) TCCL: 20.00 TCDL: 10.00 BCLL: 0.00 BCDL: 10.00 Des Ld: 40.00 NCBCLL: 10.00 Soffit: 2.00 Load Duration: 1.25 Spacing: 24.0 "	Wind Criteria Wind Std: ASCE 7-22 Speed: 130 mph Enclosure: Enclosed Risk Category: II EXP: B Kzt: NA Mean Height: 28.05 ft TCDL: 5.0 psf BCDL: 5.0 psf MWFRS Parallel Dist: h/2 to h C&C Dist a: 3.00 ft Loc. from endwall: not in 9.00 ft GCp: 0.18 Wind Duration: 1.60	Snow Criteria (Pg,Pf in PSF) Pg: NA Ct: NA CAT: NA Pf: NA Ce: NA Lu: NA Cs: NA Snow Duration: NA Building Code: FBC 8th Ed. 2023 Res. TPI Std: 2014 Rep Fac: Yes FT/RT:20(0)/10(0) Plate Type(s): WAVE	Defl/CSI Criteria PP Deflection in loc L/defl L/# VERT(LL): 0.008 C 999 360 VERT(CL): 0.019 C 999 240 HORZ(LL): -0.006 C - - HORZ(TL): 0.013 C - - Creep Factor: 2.0 Max TC CSI: 0.333 Max BC CSI: 0.283 Max Web CSI: 0.185 VIEW Ver: 24.02.00D.0114.10	▲ Maximum Reactions (lbs), or *=PLF <table border="1"> <thead> <tr> <th colspan="3">Gravity</th> <th colspan="3">Non-Gravity</th> </tr> <tr> <th>Loc</th> <th>R+</th> <th>/R-</th> <th>/Rh</th> <th>/Rw</th> <th>/U</th> <th>/RL</th> </tr> </thead> <tbody> <tr> <td>C*</td> <td>88</td> <td>/-</td> <td>/-</td> <td>/48</td> <td>/-</td> <td>/11</td> </tr> </tbody> </table> Wind reactions based on MWFRS C Brg Wid = 113 Min Req = - Bearing A is a rigid surface. Members not listed have forces less than 375# Maximum Web Forces Per Ply (lbs) <table border="1"> <thead> <tr> <th>Webs</th> <th>Tens.Comp.</th> </tr> </thead> <tbody> <tr> <td>B - D</td> <td>275 -477</td> </tr> </tbody> </table>	Gravity			Non-Gravity			Loc	R+	/R-	/Rh	/Rw	/U	/RL	C*	88	/-	/-	/48	/-	/11	Webs	Tens.Comp.	B - D	275 -477
Gravity			Non-Gravity																									
Loc	R+	/R-	/Rh	/Rw	/U	/RL																						
C*	88	/-	/-	/48	/-	/11																						
Webs	Tens.Comp.																											
B - D	275 -477																											

Lumber

Top chord: 2x4 SP #2;
 Bot chord: 2x4 SP #2;
 Webs: 2x4 SP #3;

Wind

Wind loads based on MWFRS with additional C&C member design.
 Wind loading based on both gable and hip roof types.

Additional Notes

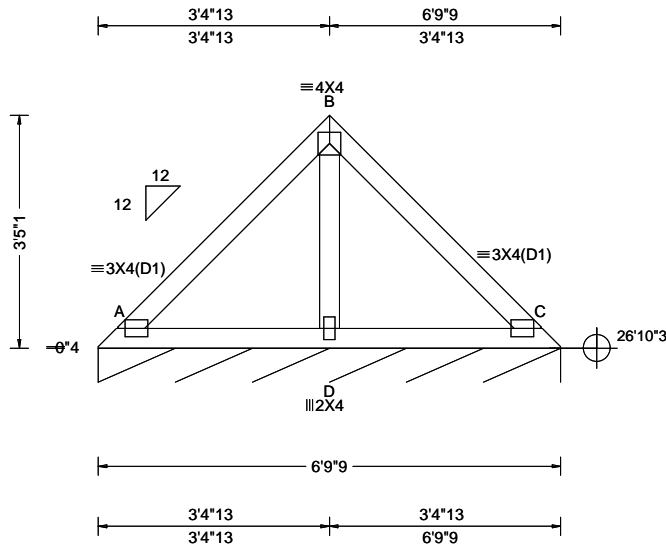
See DWGS VALTN220723 and VAL180220723 for valley details.
 The overall height of this truss excluding overhang is 4-9-1.



COA #0278
 Florida Certificate of Product Approval #FL 1999

****WARNING** READ AND FOLLOW ALL NOTES ON THIS DRAWING!**
****IMPORTANT** FURNISH THIS DRAWING TO ALL CONTRACTORS INCLUDING THE INSTALLERS**
 Trusses require extreme care in fabricating, handling, shipping, installing and bracing. Refer to and follow the latest edition of BCSI (Building Component Safety Information, by TPI and SBCA) for safety practices prior to performing these functions. Installers shall provide temporary bracing per BCSI. Unless noted otherwise, top chord shall have properly attached structural sheathing and bottom chord shall have a properly attached rigid ceiling. Locations shown for permanent lateral restraint of webs shall have continuous lateral restraint (CLR), installed with diagonal bracing installed on the CLR per BCSI sections B3, B7, or B10, as applicable. Apply plates to each face of truss and position as shown above and on the Joint Details, unless noted otherwise. Refer to drawings 160A-Z for standard plate positions. Refer to job's General Notes page for additional information.
 Alpine, a division of ITW Building Components Group Inc. shall not be responsible for any deviation from this drawing, any failure to build the truss in conformance with ANSI/TPI 1, or for handling, shipping, installation and bracing of trusses. A seal on this drawing or cover page listing this drawing, indicates acceptance of professional engineering responsibility solely for the design shown. The suitability and use of this drawing for any structure is the responsibility of the Building Designer per ANSI/TPI 1 Sec.2.
 For more information see these web sites: Alpine: alpineitw.com; TPI: tpinst.org; SBCA: sbcacomponents.com; ICC: iccsafe.org; AWC: awc.org





Loading Criteria (psf) TCLL: 20.00 TCDL: 10.00 BCLL: 0.00 BCDL: 10.00 Des Ld: 40.00 NCBCLL: 10.00 Soffit: 2.00 Load Duration: 1.25 Spacing: 24.0 "	Wind Criteria Wind Std: ASCE 7-22 Speed: 130 mph Enclosure: Enclosed Risk Category: II EXP: B Kzt: NA Mean Height: 28.71 ft TCDL: 5.0 psf BCDL: 5.0 psf MWFRS Parallel Dist: h/2 to h C&C Dist a: 3.00 ft Loc. from endwall: not in 9.00 ft GCp: 0.18 Wind Duration: 1.60	Snow Criteria (Pg,Pf in PSF) Pg: NA Ct: NA CAT: NA Pf: NA Ce: NA Lu: NA Cs: NA Snow Duration: NA Building Code: FBC 8th Ed. 2023 Res. TPI Std: 2014 Rep Fac: Yes FT/RT:20(0)/10(0) Plate Type(s): WAVE	Defl/CSI Criteria PP Deflection in loc L/defl L/# VERT(LL): 0.003 A 999 360 VERT(CL): 0.007 A 999 240 HORZ(LL): -0.002 C - - HORZ(TL): 0.005 C - - Creep Factor: 2.0 Max TC CSI: 0.185 Max BC CSI: 0.133 Max Web CSI: 0.068 VIEW Ver: 24.02.00D.0114.10	▲ Maximum Reactions (lbs), or *=PLF Gravity Non-Gravity Loc R+ / R- / Rh / Rw / U / RL C* 88 /- /- /47 /- /10 Wind reactions based on MWFRS C Brg Wid = 81.6 Min Req = - Bearing A is a rigid surface. Members not listed have forces less than 375#
--------------------------------------------------------------------------------------------------------------------------------------------------------------------------------------	-------------------------------------------------------------------------------------------------------------------------------------------------------------------------------------------------------------------------------------------------------------------------------------------------------------------------	----------------------------------------------------------------------------------------------------------------------------------------------------------------------------------------------------------------------------------------------------	--------------------------------------------------------------------------------------------------------------------------------------------------------------------------------------------------------------------------------------------------------------------------------------------------	----------------------------------------------------------------------------------------------------------------------------------------------------------------------------------------------------------------------------------------------------------------------------------

Lumber

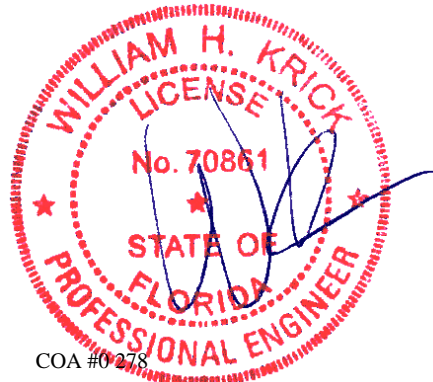
Top chord: 2x4 SP #2;
Bot chord: 2x4 SP #2;
Webs: 2x4 SP #3;

Wind

Wind loads based on MWFRS with additional C&C member design.
Wind loading based on both gable and hip roof types.

Additional Notes

See DWGS VALTN220723 and VAL180220723 for valley details.
The overall height of this truss excluding overhang is 3-5-1.



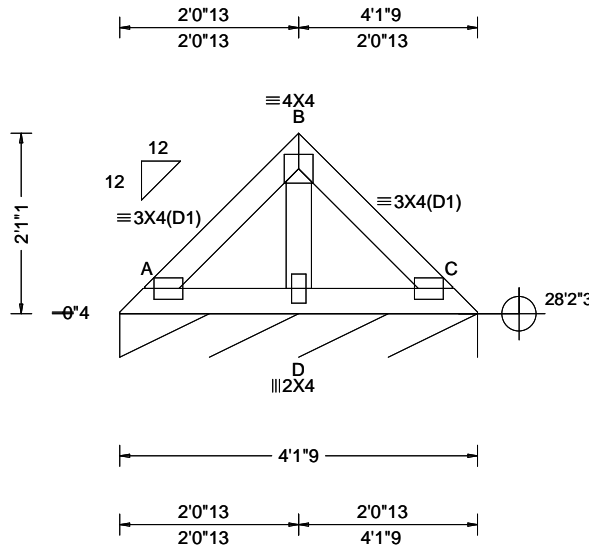
COA #0278

02/12/2026
Florida Certificate of Product Approval #FL 1999

****WARNING** READ AND FOLLOW ALL NOTES ON THIS DRAWING!**
****IMPORTANT** FURNISH THIS DRAWING TO ALL CONTRACTORS INCLUDING THE INSTALLERS**
Trusses require extreme care in fabricating, handling, shipping, installing and bracing. Refer to and follow the latest edition of BCSI (Building Component Safety Information, by TPI and SBCA) for safety practices prior to performing these functions. Installers shall provide temporary bracing per BCSI. Unless noted otherwise, top chord shall have properly attached structural sheathing and bottom chord shall have a properly attached rigid ceiling. Locations shown for permanent lateral restraint of webs shall have continuous lateral restraint (CLR), installed with diagonal bracing installed on the CLR per BCSI sections B3, B7, or B10, as applicable. Apply plates to each face of truss and position as shown above and on the Joint Details, unless noted otherwise. Refer to drawings 160A-Z for standard plate positions. Refer to job's General Notes page for additional information.
Alpine, a division of ITW Building Components Group Inc. shall not be responsible for any deviation from this drawing, any failure to build the truss in conformance with ANSI/TPI 1, or for handling, shipping, installation and bracing of trusses. A seal on this drawing or cover page listing this drawing, indicates acceptance of professional engineering responsibility solely for the design shown. The suitability and use of this drawing for any structure is the responsibility of the Building Designer per ANSI/TPI 1 Sec.2.
For more information see these web sites: Alpine: alpineitw.com; TPI: tpinst.org; SBCA: sbccomponents.com; ICC: iccsafe.org; AWC: awc.org



SEQN: 725753 FROM: RFG	VAL Ply: 1 Qty: 1	Job Number: 25-2668B THOMAS RESIDENCE Truss Label: V14	Cust: R215 JRef: 1YHK2150006 T71 DrwNo: 043.26.1032.40563 GA / WHK 02/12/2026
---------------------------	-------------------------	--------------------------------------------------------------	-------------------------------------------------------------------------------------



Loading Criteria (psf) TCCL: 20.00 TCDL: 10.00 BCLL: 0.00 BCDL: 10.00 Des Ld: 40.00 NCBCLL: 10.00 Soffit: 2.00 Load Duration: 1.25 Spacing: 24.0 "	Wind Criteria Wind Std: ASCE 7-22 Speed: 130 mph Enclosure: Enclosed Risk Category: II EXP: B Kzt: NA Mean Height: 29.38 ft TCDL: 5.0 psf BCDL: 5.0 psf MWFRS Parallel Dist: h to 2h C&C Dist a: 3.00 ft Loc. from endwall: not in 9.00 ft GCp: 0.18 Wind Duration: 1.60	Snow Criteria (Pg,Pf in PSF) Pg: NA Ct: NA CAT: NA Pf: NA Ce: NA Lu: NA Cs: NA Snow Duration: NA Building Code: FBC 8th Ed. 2023 Res. TPI Std: 2014 Rep Fac: Yes FT/RT:20(0)/10(0) Plate Type(s): WAVE	Defl/CSI Criteria PP Deflection in loc L/defl L/# VERT(LL): 0.001 C 999 360 VERT(CL): 0.002 C 999 240 HORZ(LL): -0.001 C - - HORZ(TL): 0.001 C - - Creep Factor: 2.0 Max TC CSI: 0.060 Max BC CSI: 0.038 Max Web CSI: 0.030 VIEW Ver: 24.02.00D.0114.10	▲ Maximum Reactions (lbs), or *=PLF <table border="1"> <thead> <tr> <th colspan="3">Gravity</th> <th colspan="3">Non-Gravity</th> </tr> <tr> <th>Loc</th> <th>R+</th> <th>/R-</th> <th>/Rh</th> <th>/Rw</th> <th>/U</th> <th>/RL</th> </tr> </thead> <tbody> <tr> <td>C*</td> <td>87</td> <td>/-</td> <td>/-</td> <td>/46</td> <td>/-</td> <td>/9</td> </tr> </tbody> </table> Wind reactions based on MWFRS C Brg Wid = 49.6 Min Req = - Bearing A is a rigid surface. Members not listed have forces less than 375#	Gravity			Non-Gravity			Loc	R+	/R-	/Rh	/Rw	/U	/RL	C*	87	/-	/-	/46	/-	/9
Gravity			Non-Gravity																					
Loc	R+	/R-	/Rh	/Rw	/U	/RL																		
C*	87	/-	/-	/46	/-	/9																		

Lumber

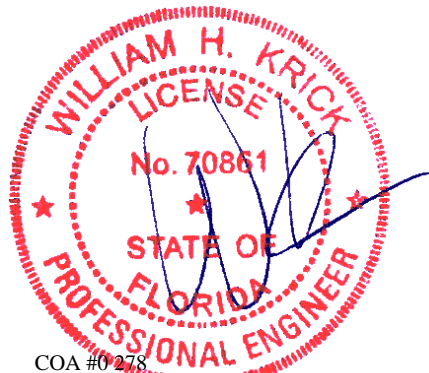
Top chord: 2x4 SP #2;
 Bot chord: 2x4 SP #2;
 Webs: 2x4 SP #3;

Wind

Wind loads based on MWFRS with additional C&C member design.
 Wind loading based on both gable and hip roof types.

Additional Notes

See DWGS VALTN220723 and VAL180220723 for valley details.
 The overall height of this truss excluding overhang is 2'-1-1/8".



COA #0278

02/12/2026 Florida Certificate of Product Approval #FL 1999

****WARNING** READ AND FOLLOW ALL NOTES ON THIS DRAWING!**
****IMPORTANT** FURNISH THIS DRAWING TO ALL CONTRACTORS INCLUDING THE INSTALLERS**
 Trusses require extreme care in fabricating, handling, shipping, installing and bracing. Refer to and follow the latest edition of BCSI (Building Component Safety Information, by TPI and SBCA) for safety practices prior to performing these functions. Installers shall provide temporary bracing per BCSI. Unless noted otherwise, top chord shall have properly attached structural sheathing and bottom chord shall have a properly attached rigid ceiling. Locations shown for permanent lateral restraint of webs shall have continuous lateral restraint (CLR), installed with diagonal bracing installed on the CLR per BCSI sections B3, B7, or B10, as applicable. Apply plates to each face of truss and position as shown above and on the Joint Details, unless noted otherwise. Refer to drawings 160A-Z for standard plate positions. Refer to job's General Notes page for additional information.
 Alpine, a division of ITW Building Components Group Inc. shall not be responsible for any deviation from this drawing, any failure to build the truss in conformance with ANSI/TPI 1, or for handling, shipping, installation and bracing of trusses. A seal on this drawing or cover page listing this drawing, indicates acceptance of professional engineering responsibility solely for the design shown. The suitability and use of this drawing for any structure is the responsibility of the Building Designer per ANSI/TPI 1 Sec.2.
 For more information see these web sites: Alpine: alpineitw.com; TPI: tpinst.org; SBCA: sbccomponents.com; ICC: iccsafe.org; AWC: awc.org



CLR Reinforcing Member Substitution

This detail is to be used for ANSI/TPI 1-2014 standards and older when a Continuous Lateral Restraint (CLR) is specified on a truss design and an alternative web reinforcement method is desired.

Notes:

This detail is only applicable for changing the specified CLR shown on single ply sealed designs to T-reinforcement or L-reinforcement or scab reinforcement.

Alternative reinforcement specified in chart below may be conservative. For minimum alternative reinforcement, re-run design with appropriate reinforcement type.

Use scabs instead of L- or T- reinforcement on webs with intersecting truss joints, such as K-web joints, that may interfere with proper application along the narrow face of the web.

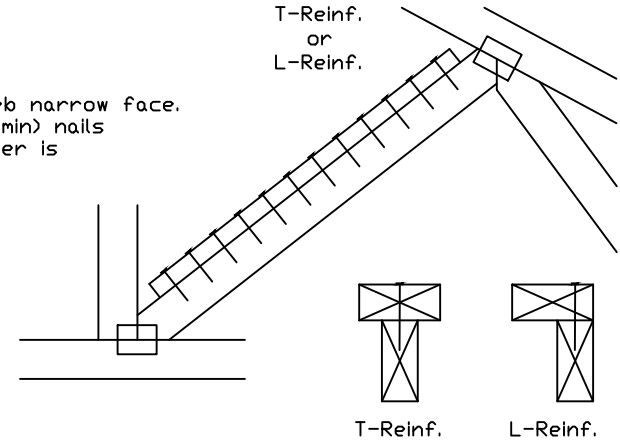
Web Member Size	Specified CLR Restraint	Alternative Reinforcement T- or L- Reinf.	Scab Reinf.
2x3 or 2x4	1 row	2x4	1-2x4
2x3 or 2x4	2 rows	2x6	2-2x4
2x6	1 row	2x4	1-2x6
2x6	2 rows	2x6	2-2x4(*)
2x8	1 row	2x6	1-2x8
2x8	2 rows	2x6	2-2x6(*)

T-reinforcement, L-reinforcement, or scab reinforcement to be same species and grade or better than web member unless specified otherwise on Engineer's sealed design.

(*) Center scab on wide face of web. Apply (1) scab to each face of web.

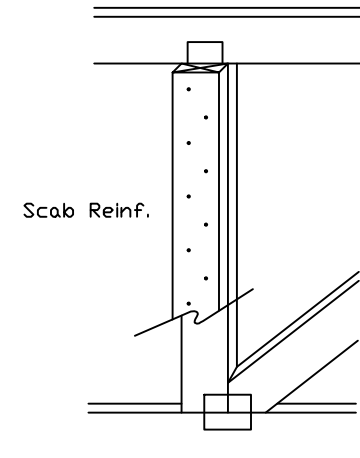
T-Reinforcement
or
L-Reinforcement:

Apply to either side of web narrow face. Attach with 10d (0.131"x3.0",min) nails at 6" o.c. Reinforcing member is a minimum 80% of web member length.



Scab Reinforcement:

Apply scab(s) to wide face of web. No more than (1) scab per face. Attach with 10d (0.131"x3.0",min) nails at 6" o.c. Reinforcing member is a minimum 80% of web member length.



Rev: 01/23/26



155 Harlem Ave
North Building, 4th Floor
Glenview, IL 60025

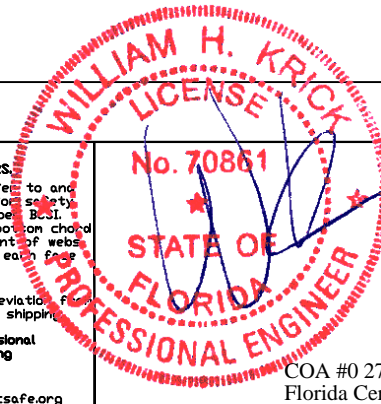
WARNING: READ AND FOLLOW ALL NOTES ON THIS DRAWING
IMPORTANT: FURNISH THIS DRAWING TO ALL CONTRACTORS INCLUDING THE INSTALLERS.

Trusses require extreme care in fabricating, handling, shipping, installing and bracing. Refer to and follow the latest edition of BCSI (Building Component Safety Information, by TPI and SBCA) for safety practices prior to performing these functions. Installers shall provide temporary bracing per BCSI. Unless noted otherwise, top chord shall have properly attached structural sheathing and bottom chord shall have a properly attached rigid ceiling. Locations shown for permanent lateral restraint of webs shall have bracing installed per BCSI sections B3, B7 or B10, as applicable. Apply plates to each face of truss and position as shown above and on the Joint Details, unless noted otherwise. Refer to drawings 160A-Z for standard plate positions.

Alpine, a division of ITW Building Components Group Inc. shall not be responsible for any deviation from this drawing, any failure to build the truss in conformance with ANSI/TPI 1, or for handling, shipping, installation & bracing of trusses.

A seal on this drawing or cover page listing this drawing, indicates acceptance of professional engineering responsibility solely for the design shown. The suitability and use of this drawing for any structure is the responsibility of the Building Designer per ANSI/TPI 1 Sec.2.

For more information see this job's general notes page and these web sites:
ALPINE: www.alpineitw.com TPI: www.tpinet.org SBCA: www.sbcacomponents.com ICC: www.iccsafe.org



TC LL	PSF	REF	CLR Subst.
TC DL	PSF	DATE	01/02/19
BC DL	PSF	DRWG	BRCLBSUB0119
BC LL	PSF		
TOT. LD.	PSF		
DUR. FAC			
02/12/2026			
COA #0 278			
Florida Certificate of Approval			
Product Approval #FL 1999			

Valley Detail - ASCE 7-22: 180 mph, 30' Mean Height, Partially Enclosed, Exp. C, Kzt=1.00

Top Chord 2x4 SP #2N, SPF #1/#2, DF-L #2 or better.
 Bot Chord 2x4 SP #2N or SPF #1/#2 or better.
 Webs 2x4 SP #3, SPF #1/#2, DF-L #2 or better.

** Attach each valley to every supporting truss with:
 535# connection or with (1) Simpson H2.5A or equivalent connector for
 ASCE 7-22 180 mph. 30' Mean Height, Part. Enc. Building, Exp. C, Wind TC DL=5 psf, Kzt = 1.00
 Or
 ASCE 7-22 160 mph. 30' Mean Height, Part. Enc. Building, Exp. D, Wind TC DL=5 psf, Kzt = 1.00

Bottom chord may be square or pitched cut as shown.

Valleys short enough to be cut as solid triangular members from a single 2x6, or larger as required, shall be permitted in lieu of fabricating from separate 2x4 members.

All plates shown are Alpine Wave Plates.

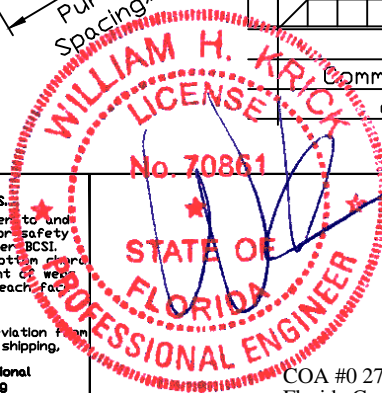
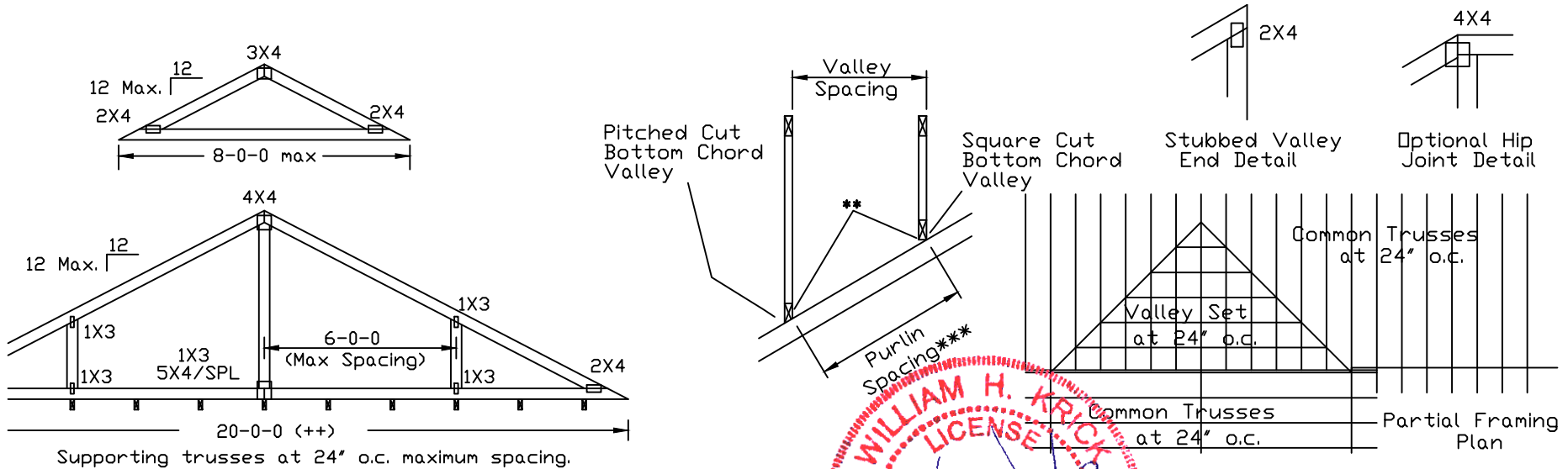
Unless specified otherwise on engineer's sealed design, for vertical valley webs taller than 7'-9" apply 2x4 "T" reinforcement, 80% length of web, same species and grade or better, attached with 10d box (0.131" x 3.0") nails at 6" o.c. In lieu of "T" reinforcement, 2x4 Continuous Lateral Restraint applied at mid-length of web is permitted with diagonal bracing as shown in DRWG BRCLBANC1014.

Top chord of truss beneath valley set must be braced with properly attached, rated sheathing applied prior to valley truss installation.

Or
 Purlins at 24" o.c. or as otherwise specified on engineer's sealed design
 Or
 By valley trusses used in lieu of purlin spacing as specified on Engineer's sealed design.

*** Note that the purlin spacing for bracing the top chord of the truss beneath the valley is measured along the slope of the top chord.

++ Larger spans may be built as long as the vertical height does not exceed 14'-0".



WARNING: READ AND FOLLOW ALL NOTES ON THIS DRAWING
IMPORTANT: FURNISH THIS DRAWING TO ALL CONTRACTORS INCLUDING THE INSTALLERS.
 Trusses require extreme care in fabricating, handling, shipping, installing and bracing. Refer to and follow the latest edition of BCSI (Building Component Safety Information, by TPI and SBCA) for safety practices prior to performing these functions. Installers shall provide temporary bracing per BCSI. Unless noted otherwise, top chord shall have properly attached structural sheathing and bottom chord shall have a properly attached rigid ceiling. Locations shown for permanent lateral restraint of webs shall have bracing installed per BCSI sections B3, B7 or B10, as applicable. Apply plates to each face of truss and position as shown above and on the Joint Details, unless noted otherwise. Refer to drawings 160A-Z for standard plate positions.
 Alpine, a division of ITW Building Components Group Inc. shall not be responsible for any deviation from this drawing, any failure to build the truss in conformance with ANSI/TPI 1, or for handling, shipping, installation & bracing of trusses.
 A seal on this drawing or cover page listing this drawing, indicates acceptance of professional engineering responsibility solely for the design shown. The suitability and use of this drawing for any structure is the responsibility of the Building Designer per ANSI/TPI 1 Sec.2.
 For more information see this job's general notes page and these web sites:
 ALPINE: www.alpinetw.com; TPI: www.tpinet.org; SBCA: www.sbccomponents.com; ICC: www.iccsafe.org

TC LL	30	30	40PSF
TC DL	20	15	7PSF
BC DL	10	10	10 PSF
BC LL	0	0	0PSF
TOT. LD.	60	55	57PSF
02/12/2026			
DURFAC 125/133/115/115			
SPACING	24.0"		

REF	VALLEY DETAIL
DATE	07/03/2023
DRWG	VAL180220723
COA #0 278	02/12/2026
Florida Certificate of Professional Approval #FL 1999	

Rev: 01/23/26

Valley Detail - ASCE 7-22: 30' Mean Height, Enclosed, Exp. C, Kzt=1.00

Top Chord 2x4 SP #2N, SPF #1/#2, DF-L #2 or better.
 Bot Chord 2x4 SP #2N or SPF #1/#2 or better.
 Webs 2x4 SP #3, SPF #1/#2, DF-L #2 or better.

**** Attach each valley to every supporting truss with:**
 (2) 16d box (0.135" x 3.5") nails toe-nailed for
 ASCE 7-22, 30' Mean Height, Enclosed Building, Exp. C,
 Wind TC DL=5 psf, Kzt = 1.00, Max. Wind Speed based on
 supporting truss material at connection location:
 140 mph for SP (G = 0.55, min.),
 125 mph for DF-L (G = 0.50, min.), or
 105 mph for HF & SPF (G = 0.42, min.).

Maximum top chord pitch is 10/12 for supporting trusses below valley trusses.

Bottom chord of valley trusses may be square or pitched cut as shown.

Valleys short enough to be cut as solid triangular members from a single 2x6, or larger as required, shall be permitted in lieu of fabricating from separate 2x4 members.

All plates shown are Alpine Wave Plates.

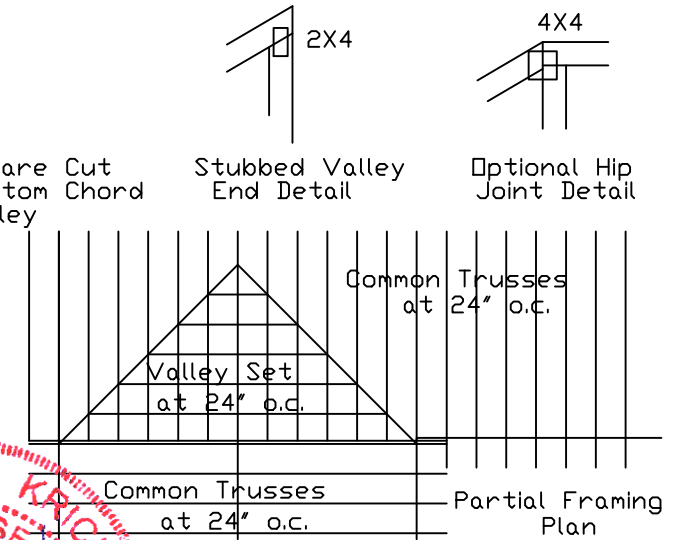
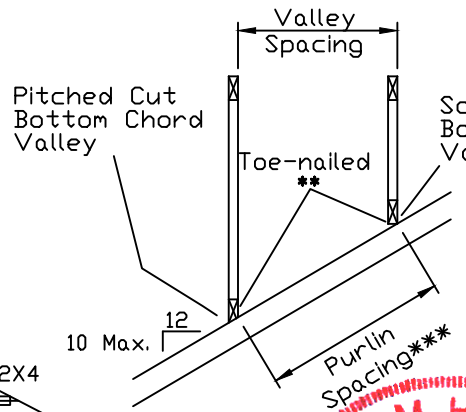
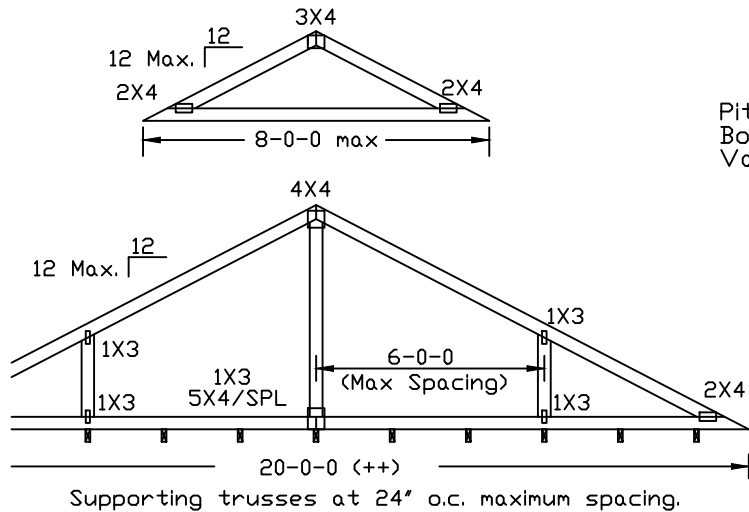
Unless specified otherwise on engineer's sealed design, for vertical valley webs taller than 7-9" apply 2x4 "T" reinforcement, 80% length of web, same species and grade or better, attached with 10d box (0.131" x 3.0") nails at 6" o.c. In lieu of "T" reinforcement, 2x4 Continuous Lateral Restraint applied at mid-length of web is permitted with diagonal bracing as shown in DRWG BRCLBANC1014.

Top chord of truss beneath valley set must be braced with: properly attached, rated sheathing applied prior to valley truss installation.

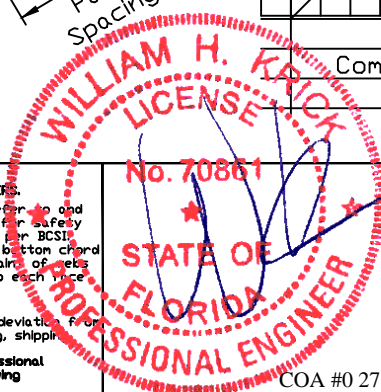
- Purlins at 24" o.c. or as otherwise specified on engineer's sealed design
- By valley trusses used in lieu of purlin spacing as specified on Engineer's sealed design.

***** Note that the purlin spacing for bracing the top chord of the truss beneath the valley is measured along the slope of the top chord.**

++ Larger spans may be built as long as the vertical height does not exceed 14'-0".



WARNING: READ AND FOLLOW ALL NOTES ON THIS DRAWING
IMPORTANT: FURNISH THIS DRAWING TO ALL CONTRACTORS INCLUDING THE INSTALLERS.
 Trusses require extreme care in fabricating, handling, shipping, installing and bracing. Refer to and follow the latest edition of BCSI (Building Component Safety Information, by TPI and SBCA) for safety practices prior to performing these functions. Installers shall provide temporary bracing per BCSI. Unless noted otherwise, top chord shall have properly attached structural sheathing and bottom chord shall have a properly attached rigid ceiling. Locations shown for permanent lateral restraint of webs shall have bracing installed per BCSI sections B3, B7 or B10, as applicable. Apply plates to each vice of truss and position as shown above and on the Joint Details, unless noted otherwise. Refer to drawings 160A-Z for standard plate positions.
 Alpine, a division of ITW Building Components Group Inc. shall not be responsible for any deviation from this drawing, any failure to build the truss in conformance with ANSI/TPI 1, or for handling, shipping, installation & bracing of trusses.
 A seal on this drawing or cover page listing this drawing, indicates acceptance of professional engineering responsibility solely for the design shown. The suitability and use of this drawing for any structure is the responsibility of the Building Designer per ANSI/TPI 1 Sec.2.
 For more information see this Job's general notes page and these web sites:
 ALPINE: www.alpineitw.com; TPI: www.tpinst.org; SBCA: www.sbcacomponents.com; ICC: www.iccsafe.org



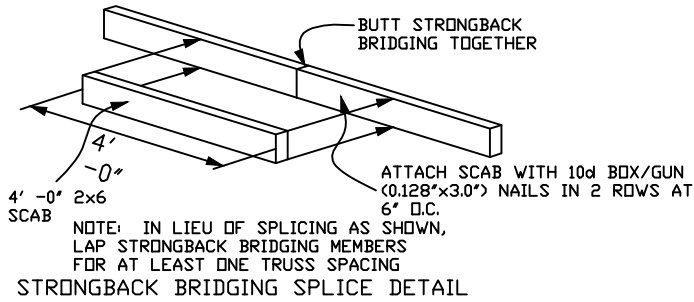
TC LL	30	30	40PSF
TC DL	20	15	7 PSF
BC DL	10	10	10 PSF
BC LL	0	0	0 PSF
TOT. LD.	60	55	57PSF
SPACING			

REF	VALLEY DETAIL
DATE	07/03/2023
DRWG	VALTN220723

COA #0 278
 Florida Certificate of Product Approval #PL 1999
 02/12/2026
 DUR. FAC. 1.25/1.33 1.15 1.15
 24.0

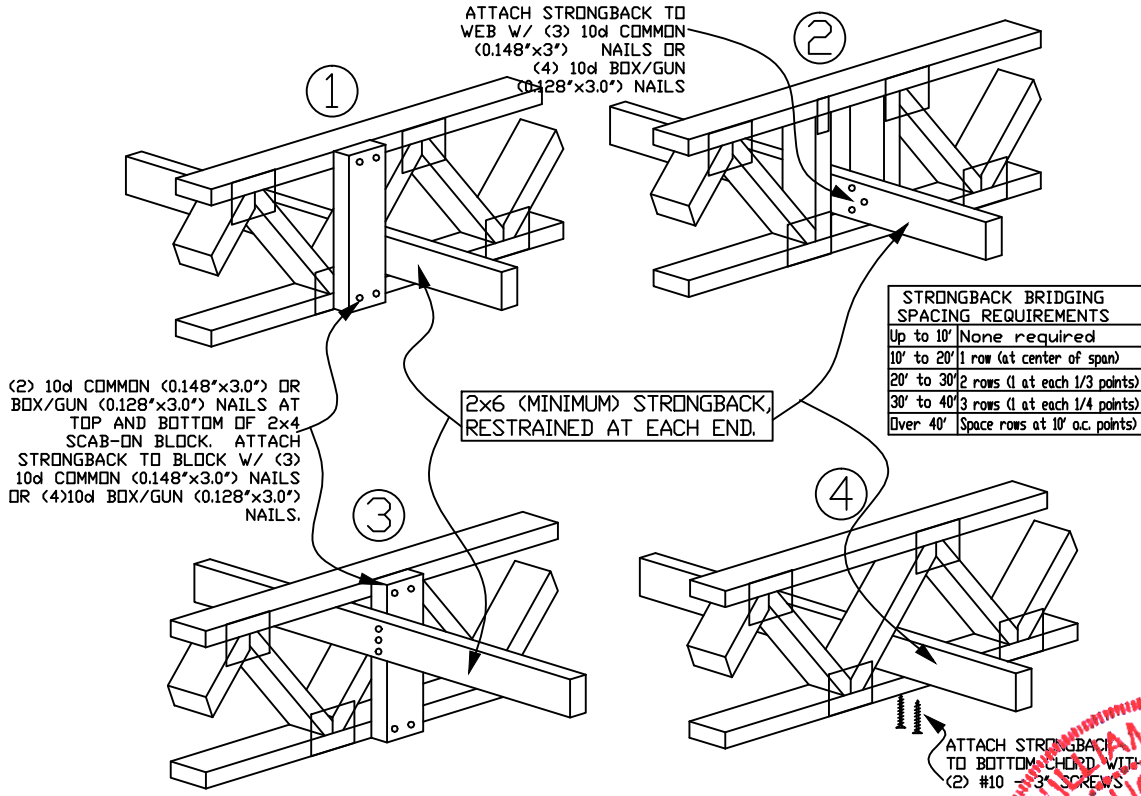
Rev: 01/23/26

STRONGBACK BRIDGING RECOMMENDATIONS



- ▶ All scab-on blocks shall be a minimum 2x4 "stress graded lumber."
- ▶ All strongback bridging and bracing shall be a minimum 2x6 "stress graded lumber."
- ▶ The purpose of strongback bridging is to develop load sharing between individual trusses, resulting in an overall increase in the stiffness of the floor system. 2x6 strongback bridging, positioned as shown in details, is recommended at 10' -0" o.c. (max.)

NOTE: Details 1 and 2 are the preferred attachment methods



- ▶ The terms "bridging" and "bracing" are sometimes mistakenly used interchangeably. "Bracing" is an important structural requirement of any floor or roof system. Refer to the Truss Design Drawing (TDD) for the bracing requirements for each individual truss component. "Bridging," particularly "strongback bridging" is a recommendation for a truss system to help control vibration. In addition to aiding in the distribution of point loads between adjacent truss, strongback bridging serves to reduce "bounce" or residual vibration resulting from moving point loads, such as footsteps.

The performance of all floor systems are enhanced by the installation of strongback bridging and therefore is strongly recommended by Alpine.

For additional information regarding strongback bridging, refer to BCSI (Building Component Safety Information).

STRONGBACK BRIDGING ATTACHMENT ALTERNATIVES



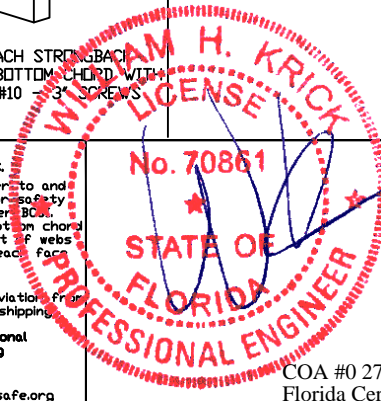
WARNING READ AND FOLLOW ALL NOTES ON THIS DRAWING
IMPORTANT FURNISH THIS DRAWING TO ALL CONTRACTORS INCLUDING THE INSTALLERS.

Trusses require extreme care in fabricating, handling, shipping, installing and bracing. Refer to and follow the latest edition of BCSI (Building Component Safety Information, by TPI and SBCA) for safety practices prior to performing these functions. Installers shall provide temporary bracing per BCSI. Unless noted otherwise, top chord shall have properly attached structural sheathing and bottom chord shall have a properly attached rigid ceiling. Locations shown for permanent lateral restraint of webs shall have bracing installed per BCSI sections B3, B7 or B10, as applicable. Apply plates to each face of truss and position as shown above and on the Joint Details, unless noted otherwise. Refer to drawings 160A-Z for standard plate positions.

Alpine, a division of ITW Building Components Group Inc. shall not be responsible for any deviation from this drawing, any failure to build the truss in conformance with ANSI/TPI 1, or for handling, shipping, installation & bracing of trusses.

A seal on this drawing or cover page listing this drawing, indicates acceptance of professional engineering responsibility solely for the design shown. The suitability and use of this drawing for any structure is the responsibility of the Building Designer per ANSI/TPI 1 Sec.2.

For more information see this Job's general notes page and these web sites:
ALPINE: www.alpineitw.com TPI: www.tpinet.org SBCA: www.sbcacomponents.com ICC: www.iccsafe.org



TC LL	PSF	REF	STRONGBACK
TC DL	PSF	DATE	10/01/14
BC DL	PSF	DRWG	STRBRIBR1014
BC LL	PSF		
TOT. LD.	PSF		
DUR. FAC	1.00		
SPACING			
COA #0 278			
Florida Certificate of Product Approval #FL			999

NAIL SPACING DETAIL

MINIMUM SPACING FOR SINGLE BLOCK IS SHOWN. DOUBLE NAIL SPACINGS AND STAGGER NAILING FOR TWO BLOCKS. GREATER SPACING MAY BE REQUIRED TO AVOID SPLITTING.

BLOCK LOCATION, SIZE, LENGTH, GRADE AND TOTAL NUMBER AND TYPE OF NAILS ARE TO BE SPECIFIED ON SEALED DESIGN REFERENCING THIS DETAIL.

LOAD PERPENDICULAR TO GRAIN

A - EDGE DISTANCE AND SPACING BETWEEN STAGGERED ROWS OF NAILS (6 NAIL DIAMETERS)

B - SPACING OF NAILS IN A ROW (12 NAIL DIAMETERS)

C - END DISTANCE (15 NAIL DIAMETERS)

LOAD PARALLEL TO GRAIN

A - EDGE DISTANCE (6 NAIL DIAMETERS)

C - SPACING OF NAILS IN A ROW AND END DISTANCE (15 NAIL DIAMETERS)

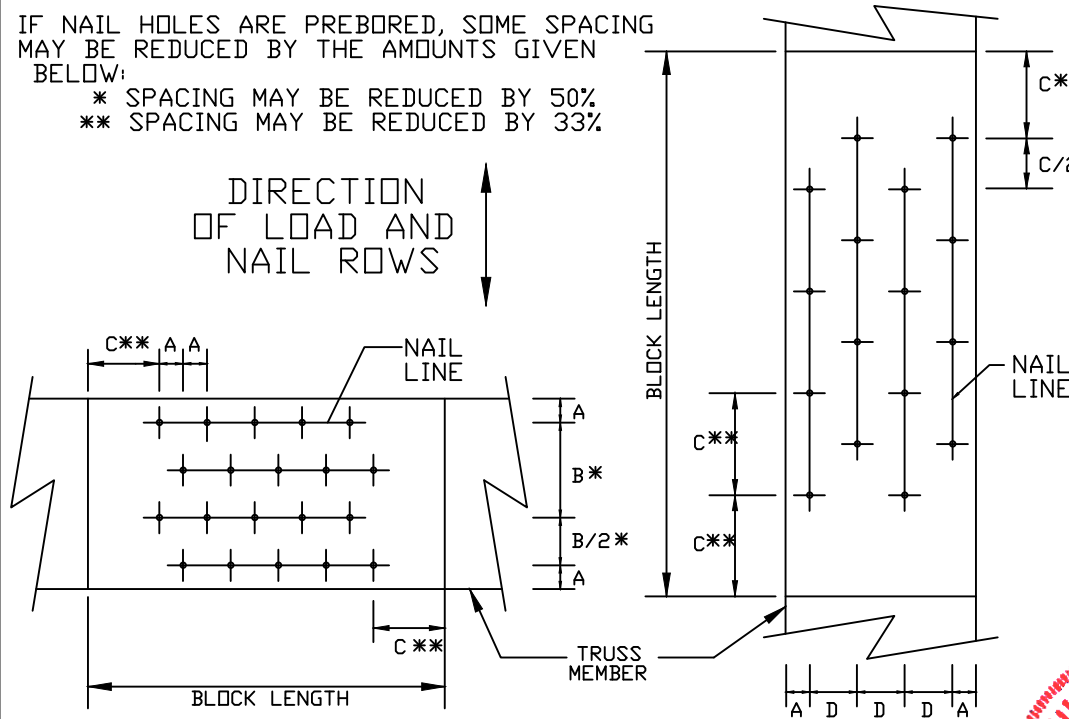
D - SPACING BETWEEN STAGGERED ROWS OF NAILS (7 1/2 NAIL DIAMETERS)

IF NAIL HOLES ARE PREBORED, SOME SPACING MAY BE REDUCED BY THE AMOUNTS GIVEN BELOW:

- * SPACING MAY BE REDUCED BY 50%
- ** SPACING MAY BE REDUCED BY 33%

MINIMUM NAIL SPACING DISTANCES

NAIL TYPE	DISTANCES			
	A	B*	C**	D
8d BOX (0.113"X 2.5",MIN)	3/4"	1 3/8"	1 3/4"	7/8"
10d BOX (0.128"X 3",MIN)	7/8"	1 5/8"	2"	1"
12d BOX (0.128"X 3.25",MIN)	7/8"	1 5/8"	2"	1"
16d BOX (0.135"X 3.5",MIN)	7/8"	1 5/8"	2 1/8"	1 1/8"
20d BOX (0.148"X 4",MIN)	1"	1 7/8"	2 1/4"	1 1/8"
8d COMMON (0.131"X 2.5",MIN)	7/8"	1 5/8"	2"	1"
10d COMMON (0.148"X 3",MIN)	1"	1 7/8"	2 1/4"	1 1/8"
12d COMMON (0.148"X 3.25",MIN)	1"	1 7/8"	2 1/4"	1 1/8"
16d COMMON (0.162"X 3.5",MIN)	1"	2"	2 1/2"	1 1/4"
GUN (0.120"X 2.5",MIN)	3/4"	1 1/2"	1 7/8"	1"
GUN (0.131"X 2.5",MIN)	7/8"	1 5/8"	2"	1"
GUN (0.120"X 3",MIN)	3/4"	1 1/2"	1 7/8"	1"
GUN (0.131"X 3",MIN)	7/8"	1 5/8"	2"	1"



LOAD APPLIED PERPENDICULAR TO GRAIN LOAD APPLIED PARALLEL TO GRAIN

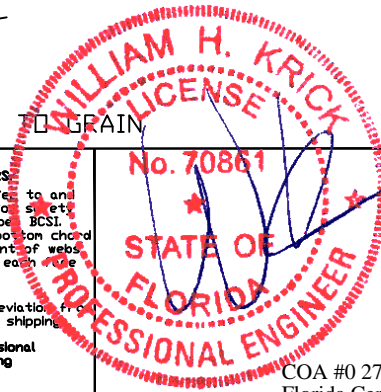
WARNING READ AND FOLLOW ALL NOTES ON THIS DRAWING
 IMPORTANT FURNISH THIS DRAWING TO ALL CONTRACTORS INCLUDING THE INSTALLERS

Trusses require extreme care in fabricating, handling, shipping, installing and bracing. Refer to and follow the latest edition of BCSI (Building Component Safety Information, by TPI and SBCA) for safety practices prior to performing these functions. Installers shall provide temporary bracing per BCSI. Unless noted otherwise, top chord shall have properly attached structural sheathing and bottom chord shall have a properly attached rigid ceiling. Locations shown for permanent lateral restraint of webs shall have bracing installed per BCSI sections B3, B7 or B10, as applicable. Apply plates to each side of truss and position as shown above and on the Joint Details, unless noted otherwise. Refer to drawings 160A-Z for standard plate positions.

Alpine, a division of ITW Building Components Group Inc. shall not be responsible for any deviation from this drawing, any failure to build the truss in conformance with ANSI/TPI 1, or for handling, shipping, installation & bracing of trusses.

A seal on this drawing or cover page listing this drawing, indicates acceptance of professional engineering responsibility solely for the design shown. The suitability and use of this drawing for any structure is the responsibility of the Building Designer per ANSI/TPI 1 Sec.2.

For more information see this Job's general notes page and these web sites:
 ALPINE: www.alpineitw.com; TPI: www.tpinst.org; SBCA: www.sbcacomponents.com; ICC: www.iccsafe.org



155 Harlem Ave
 North Building, 4th Floor
 Glenview, IL 60025

COA #0 278 02/12/2026
 Florida Certificate of Product Approval #FL 1999

REF NAIL SPACE
 DATE 10/01/14
 DRWG CNNAILSP1014