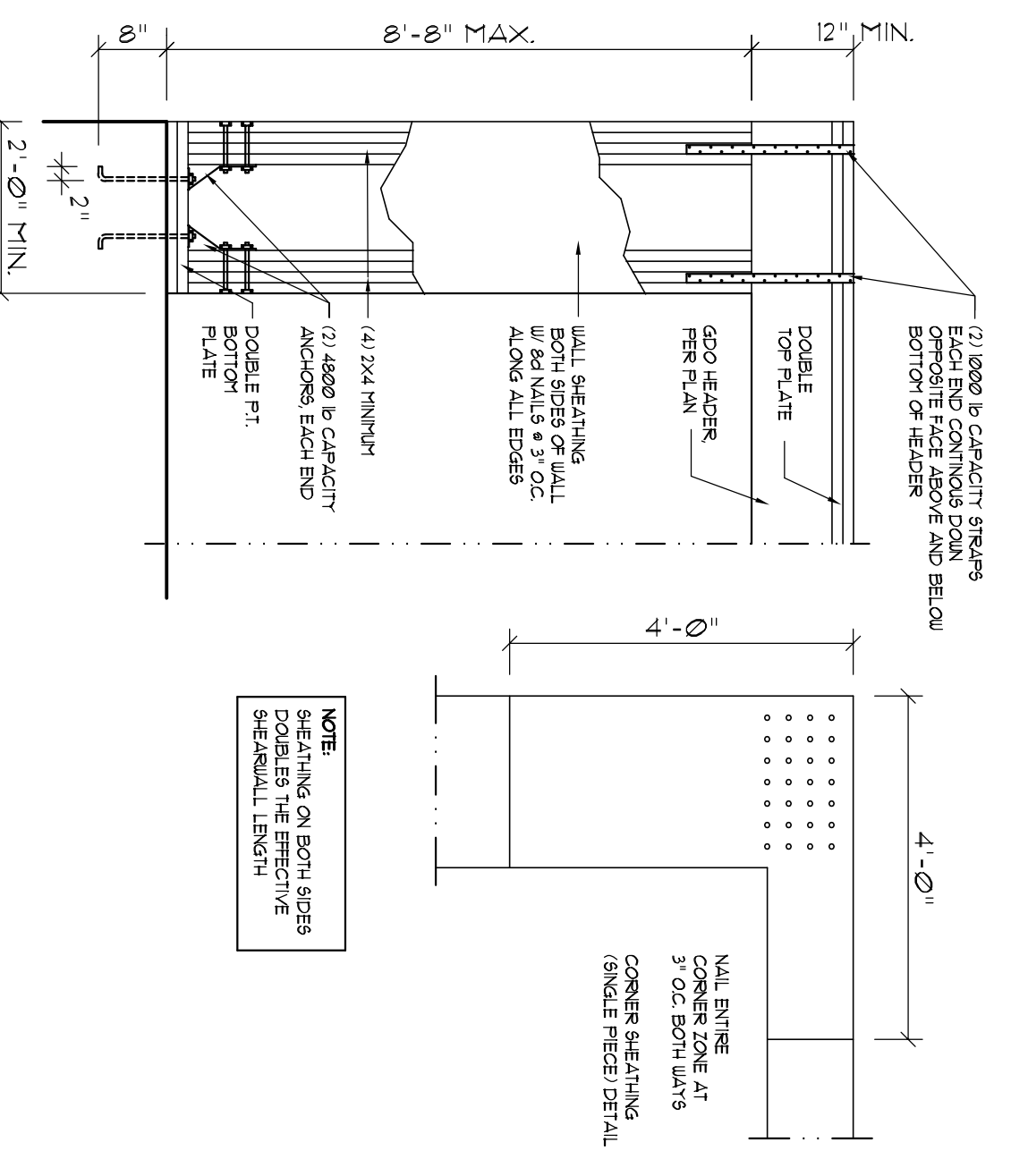


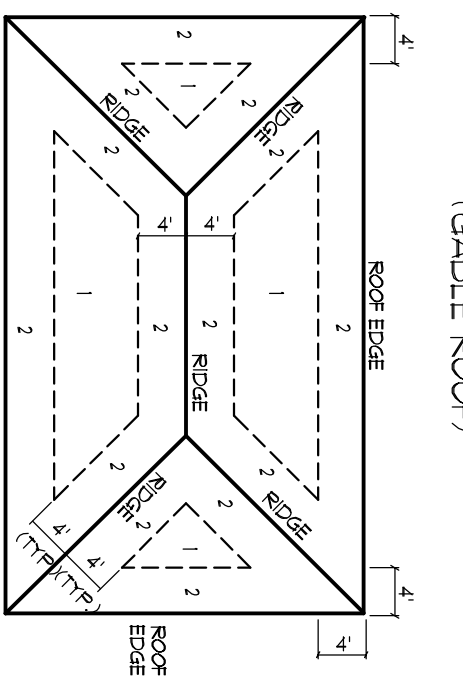
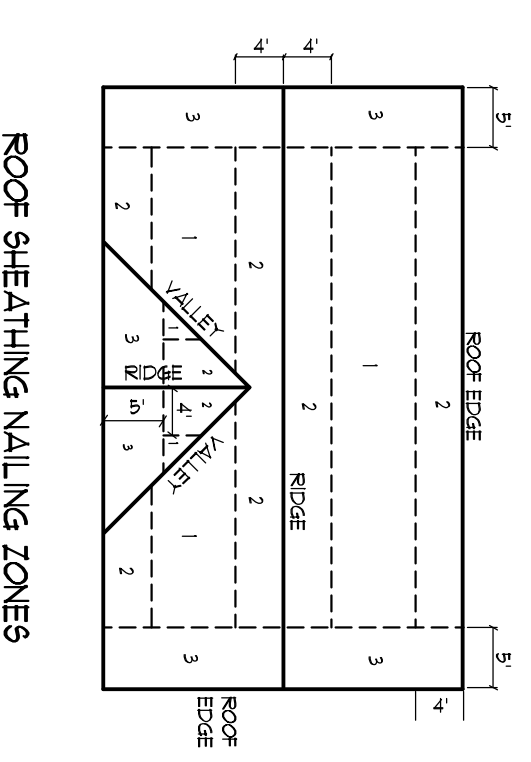
**Garage Truss Column Det.**  
SCALE: 1/2" = 1'-0"  
**A**



**Garage End Wall Details**  
SCALE: 1/2" = 1'-0"  
**B**

**ROOF SHEATHING FASTENINGS**

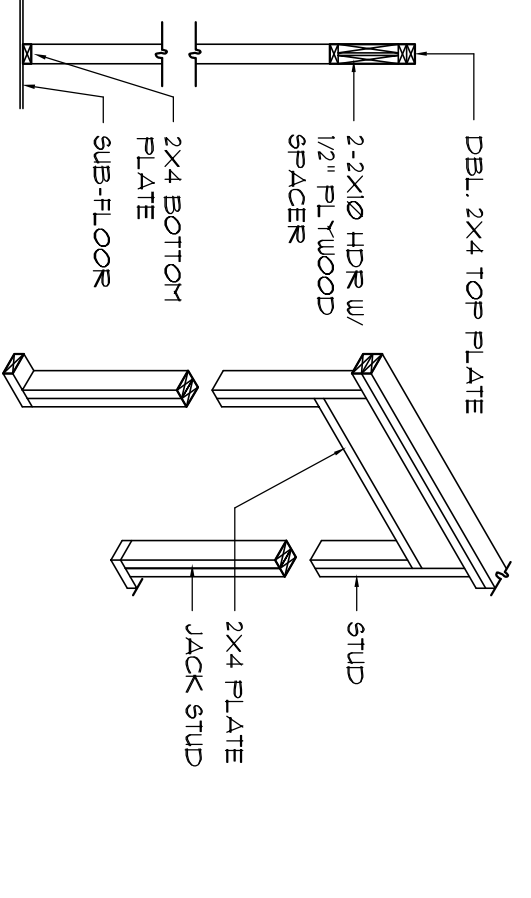
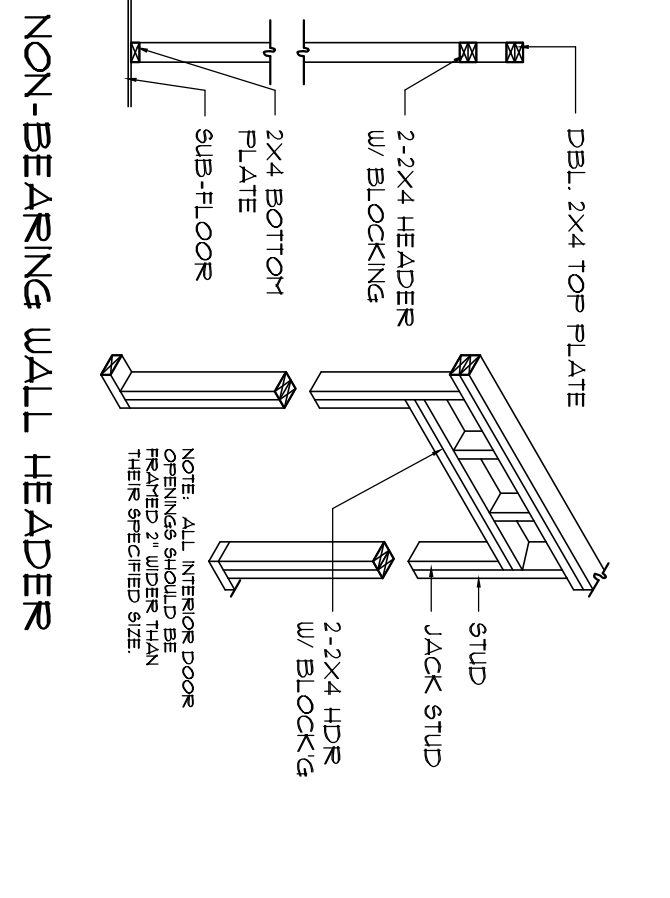
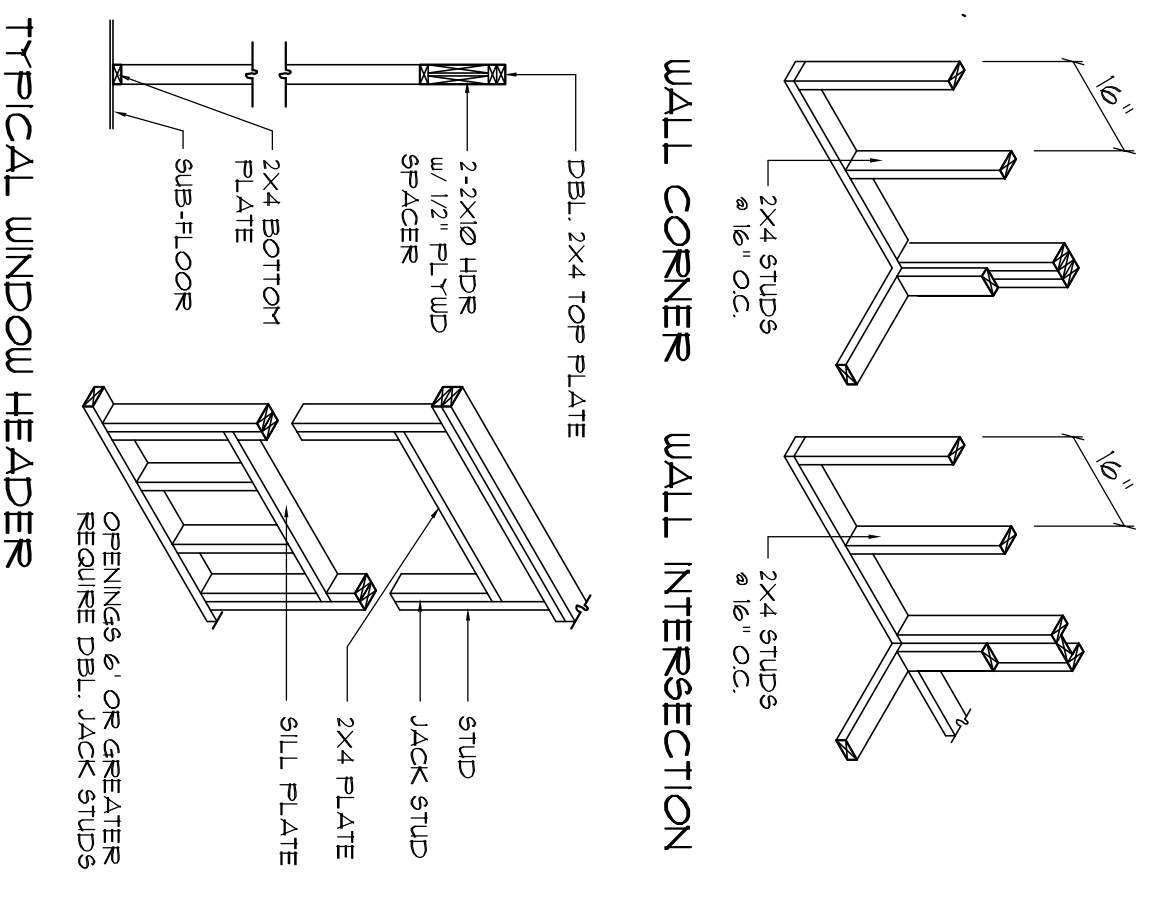
NAILING ZONE	SHEATHING TYPE	FASTENER	SPACING
1	1/4" OSB	6d COMMON OR 6d GALV. DRIPED	6" @ 6" EDGE
2	1/4" OSB	6d COMMON OR 6d GALV. DRIPED	9" @ 6" FIELD
3	OR 5/8" CDX	4" @ 6" GABLE TRUSS OR GABLE ENDWALL	6" @ 6" FIELD



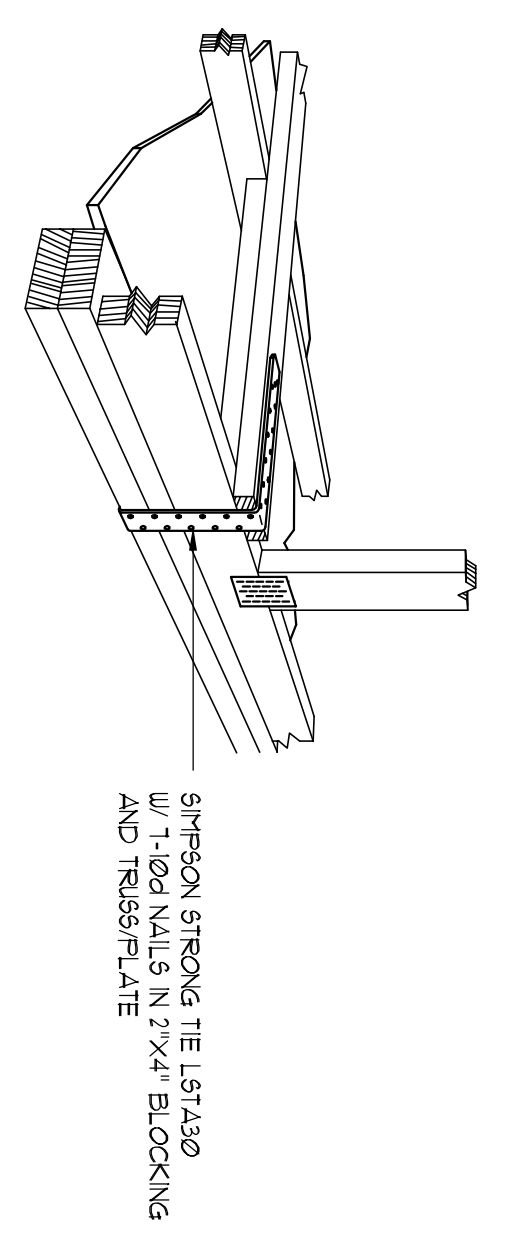
**Roof Nail Pattern Det.**  
SCALE: NONE  
**E**

**HEADER SPANS FOR EXTERIOR BEARING WALLS**

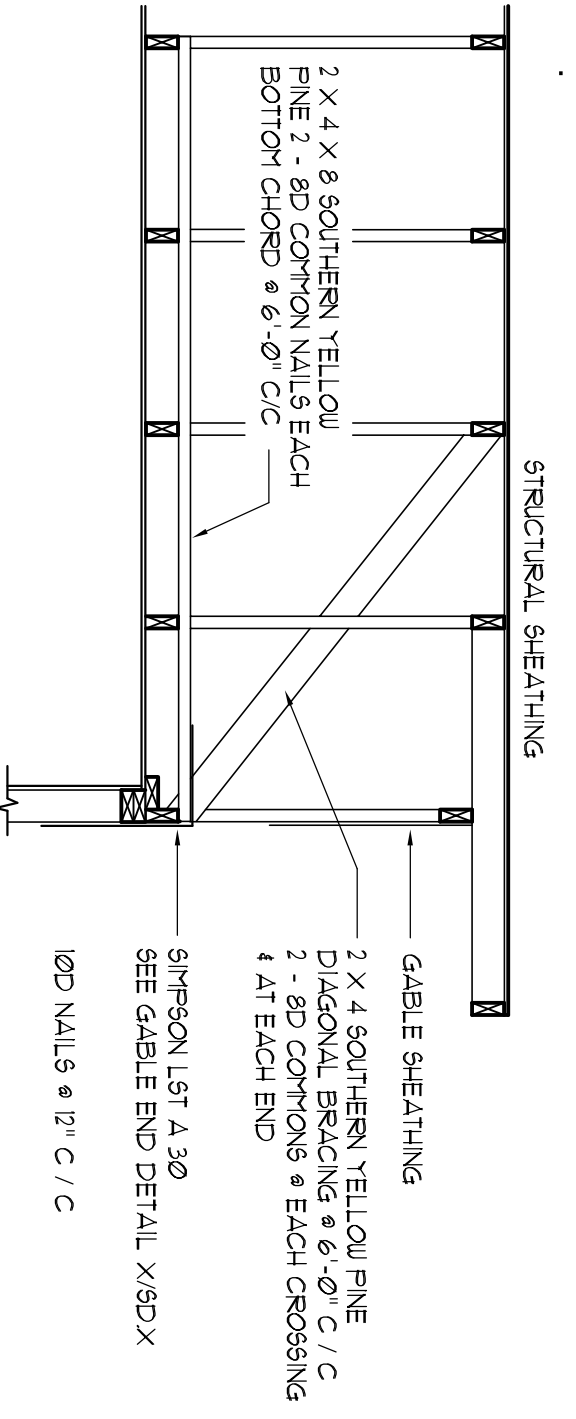
HEADERS SUPPORTING:	BUILDING WIDTH (FT)		
	20'	28'	36'
2-2x4	3'-6"	3'-2"	2'-10"
2-2x6	5'-5"	4'-8"	4'-2"
2-2x8	6'-10"	5'-11"	5'-4"
2-2x10	8'-5"	7'-3"	6'-6"
2-2x12	9'-9"	8'-5"	7'-6"
3-2x10	10'-6"	9'-1"	8'-2"
3-2x12	12'-2"	10'-7"	9'-5"
4-2x8	9'-2"	8'-4"	9'-2"
4-2x10	11'-8"	10'-6"	9'-5"
4-2x12	14'-1"	12'-2"	10'-11"



**Wall Framing/ Header Det's**  
SCALE: NONE  
**F**



**GABLE END GYPSUM DIAPHRAGM HOLDOWN CONNECTOR**  
SCALE: NONE  
**G.1**



**END WALL BRACING FOR CEILING DIAPHRAGM**  
(ALTERNATIVE TO BALLOON FRAMING)  
NOTE: ALL WOOD TO BE NUMBER 2 GRADE SOUTHERN YELLOW PINE  
**G.2**



**NICHOLAS PAUL GESSLER ARCHITECT**

1728 NW Brown Rd  
386-310-4320

1972-2026  
N.P. Gessler, Architect  
AR000705

Copyright 2026  
DRAWN: **mpg**  
DATE OF ISSUE: 02 FEB 2026  
CHECK: **2K2604**  
REVISIONS:  
17 MAR 2026

SHEET: **3.4**  
4 OF 4

**CUSTOM RESIDENCE and AIRCRAFT HANGER for: DON DOWNS**  
CANNON CREEK AIRPARK, COLUMBIA COUNTY, FLORIDA  
**WALL SECTIONS**