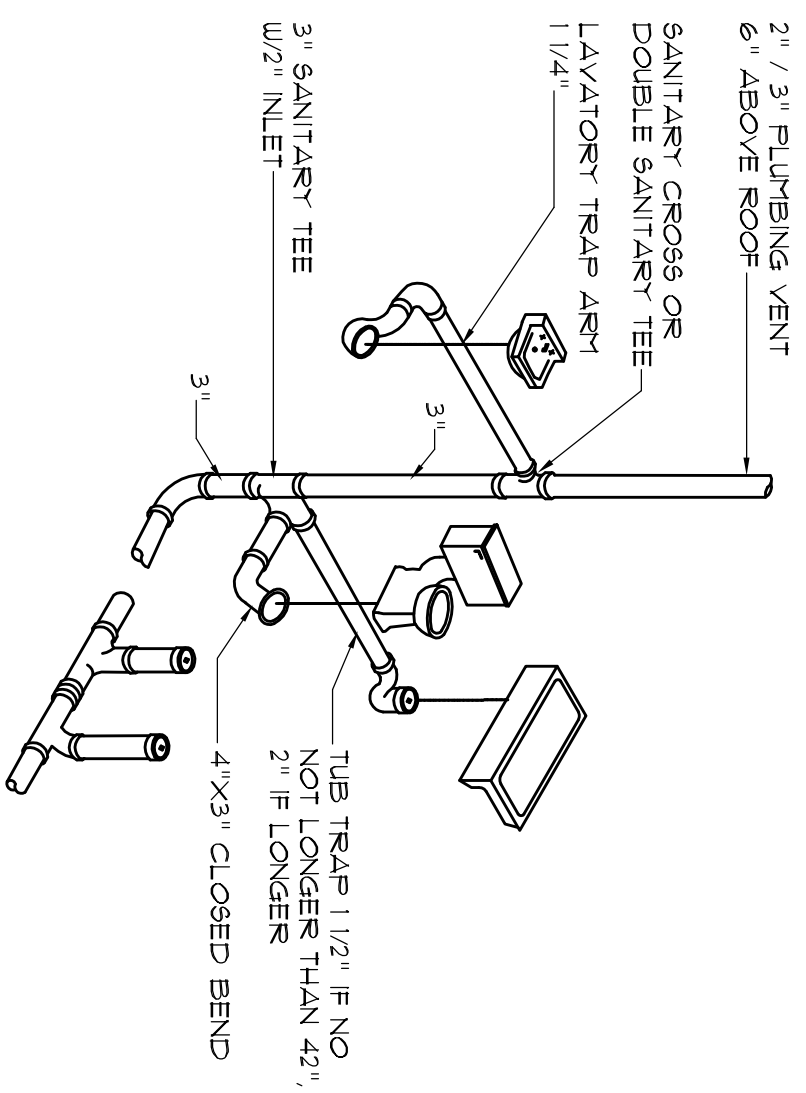
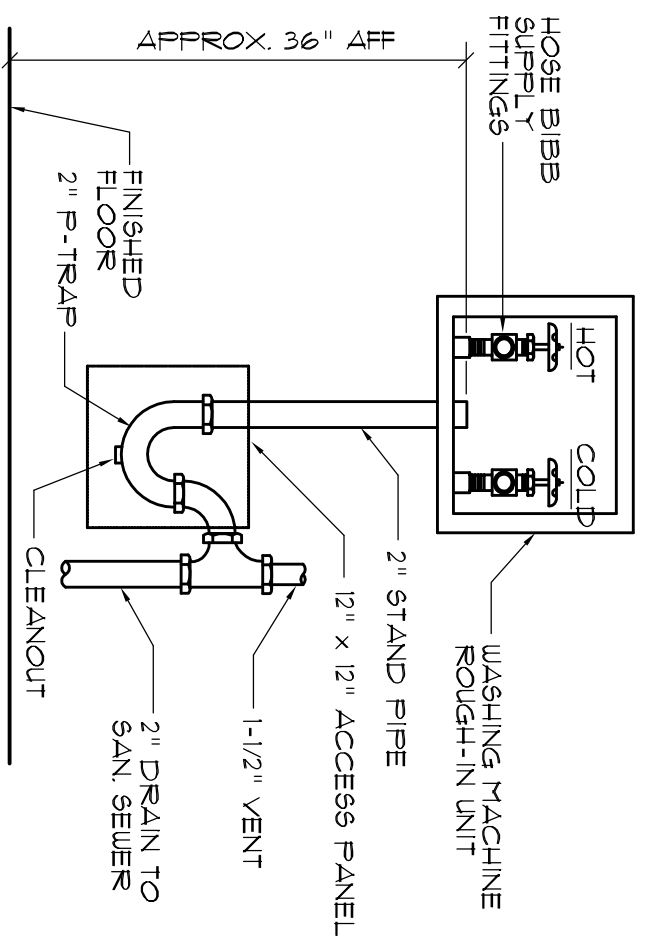


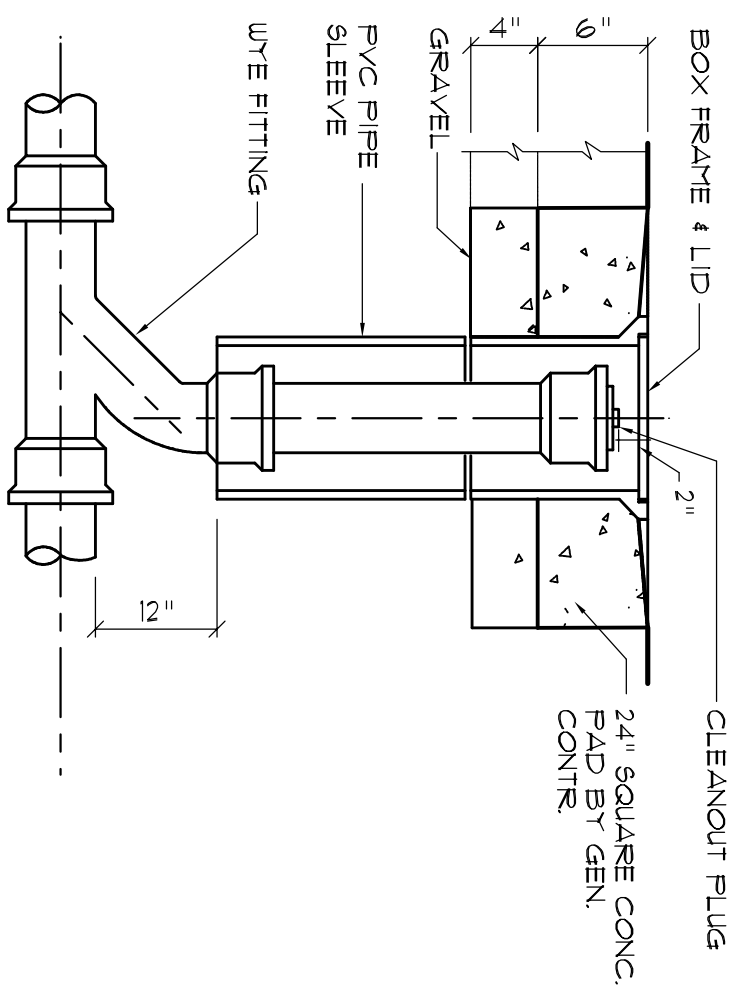
**Closet Rod & Shelf Detail**  
SCALE: NONE  
**A**



**Typical Plumbing Det.**  
N.T.S. - THIS PLUMBING DIAGRAM IS GENERAL IN NATURE. REFER TO THE PLUMBING RISER DIAGRAM FOR INFORMATION.  
**B**

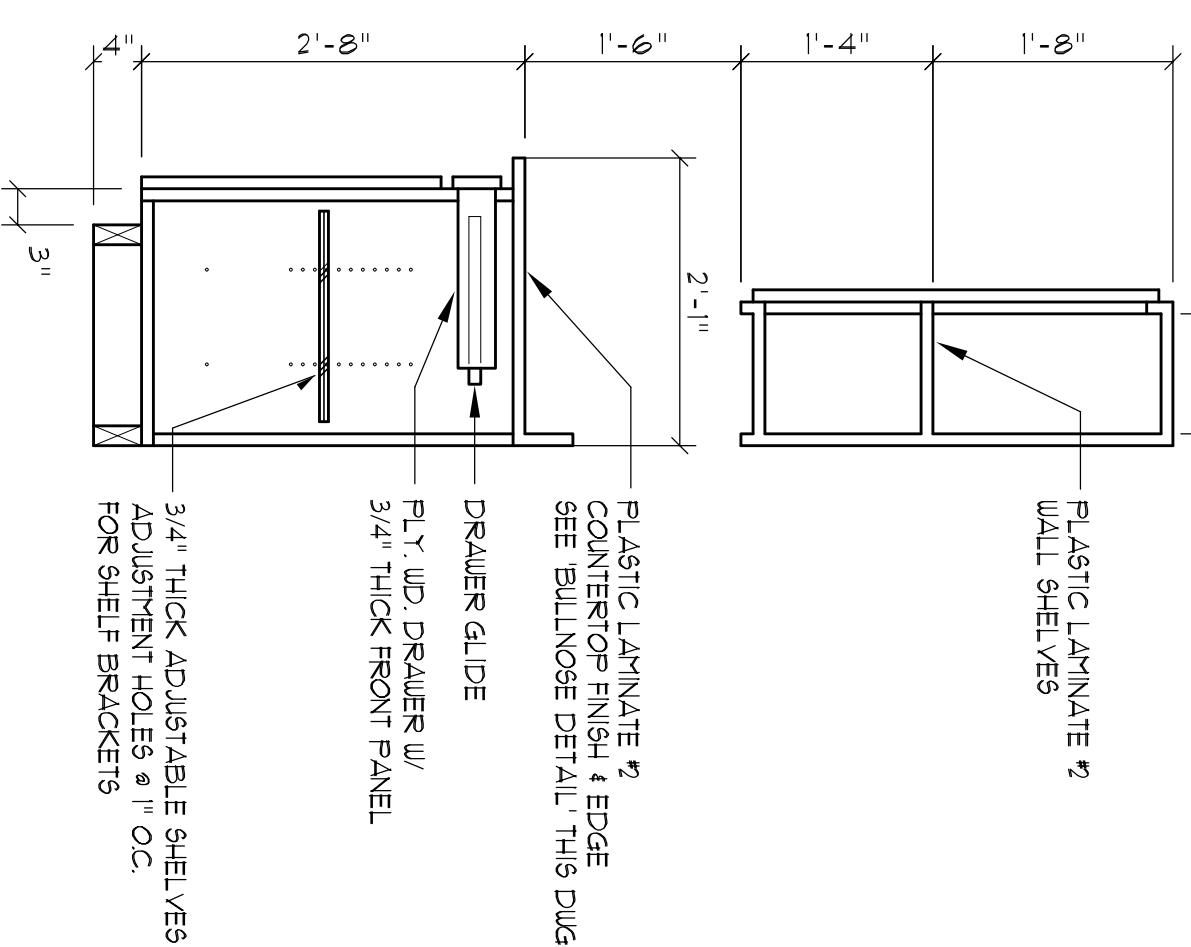


**Washing Machine Det.**  
N.T.S.  
**C**



**Outdoor Cleanout Detail**  
N.T.S.  
**D**

**NOTE!**  
THESE CABINET DET'S ARE GENERAL IN NATURE & PROVIDE A BASIS FOR ACTUAL CABINET CONSTRUCTION.



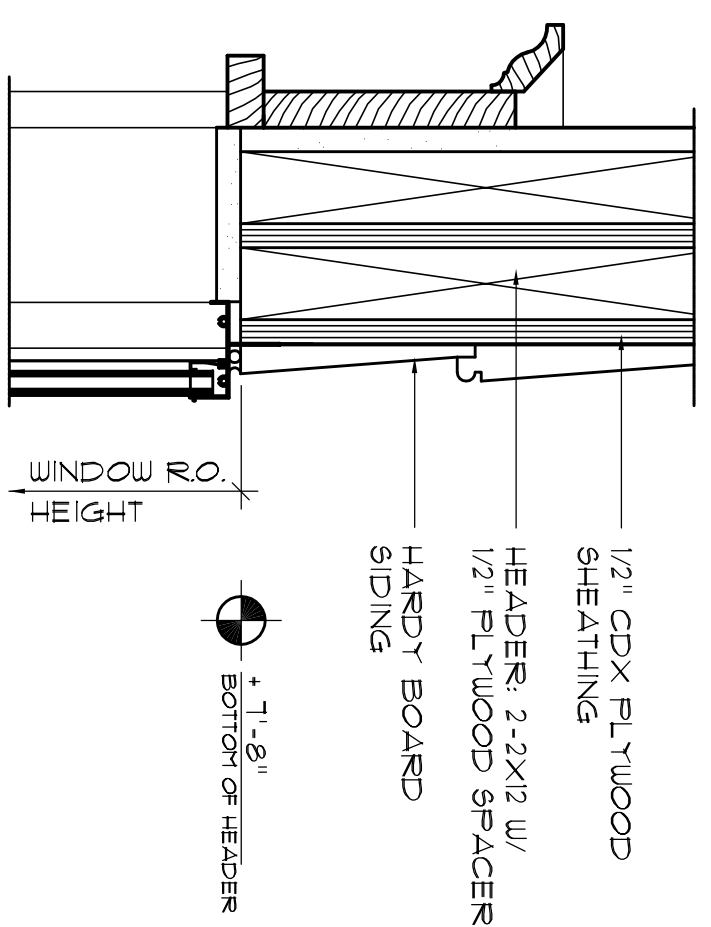
**Base & O/H Cab.**  
SCALE 3/4" = 1'-0"  
**E**

**NOTE!**  
CABINET'S COUNTERS, SHELVES, AND THE LIKE SHOWN ON THIS PLAN SHALL BE CONSTRUCTED IN ACCORDANCE WITH THE STANDARDS OF QUALITY AS OUTLINED IN THE NOTES TITLED "GENERAL MILLWORK NOTES" AND SHALL INCLUDE BY SUCH HEADERS, HARDWARE, AND FINISHES AS DIRECTED BY LOCATION AND THE EXTENT OF THE WORK. ALL DETAIL CABINET PLANS ARE INCLUDED WITH THIS PLAN'S PACKAGE. ALL OTHER PHYSICAL CHARACTERISTICS SHALL BE AS DIRECTED BY THE OWNER.

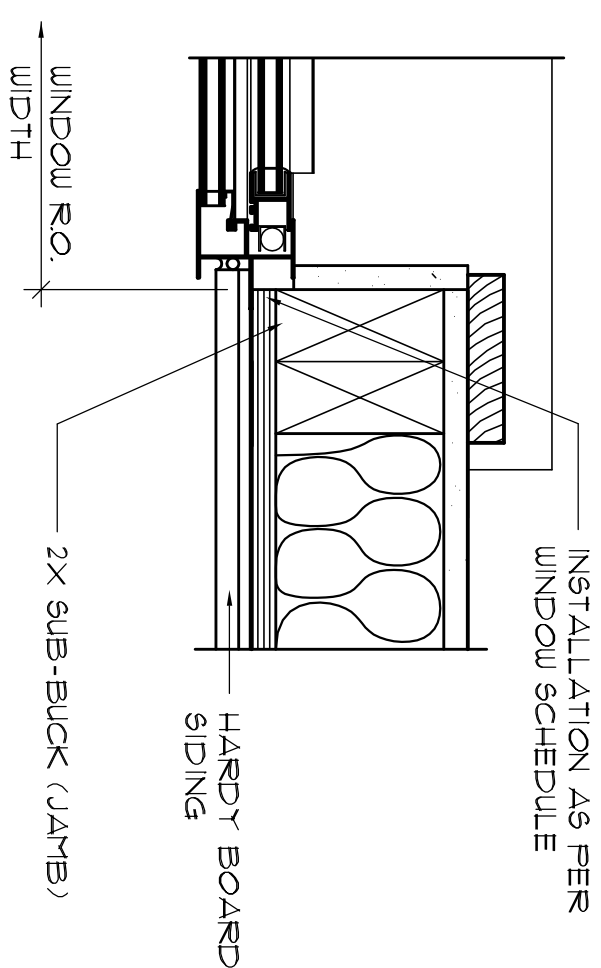
**Typ. Cabinet Det's**  
SCALE 3/4" = 1'-0"  
**E**

**TEMPERED GLASS NOTES:**

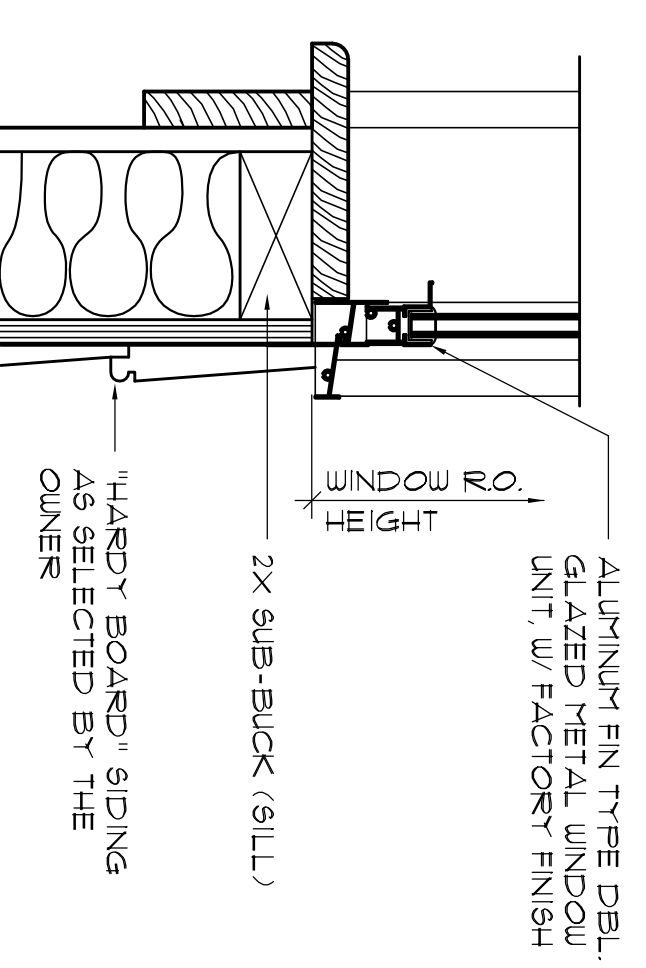
- THE FOLLOWING SHALL BE CONSIDERED SPECIFIC HAZARDOUS LOCATIONS FOR THE PURPOSES OF GLAZING:
- GLAZING IN SLIDING DOORS AND FIXED AND SLIDING PANELS OF SLIDING (PATIO) DOOR ASSEMBLIES.
  - GLAZING IN DOORS AND WALLS OF ENCLOSURES FOR HOT TUBS, JETTED TUBS, SAUNAS, HOT TUBS, AND OTHER BATHING FACILITIES. SUCH GLAZING IS LOCATED 36 INCHES (941 MM) OR LESS, MEASURED HORIZONTALLY FROM A STANDING OR WALKING SURFACE WITHIN THE ENCLOSURE AND BESIDE THE BOTTOM EDGE OF THE EXPOSED GLAZING IS LESS THAN 60 INCHES (1524 MM) BEHIND FROM (CALL), ABOVE FROM (INDICATE) ON WALKING SURFACES.
  - GLAZING IN AN INDIVIDUAL FIXED OR OPERABLE PANEL ADJACENT TO A DOOR EXCEPT IN AN AREA OF A SHARED ENTRY OR EXIT OF THE DOOR IN A CLOSED POSITION AND WHERE BOTTOM EDGE IS LESS THAN 60 INCHES (1524 MM) ABOVE THE FLOOR OR WALKING SURFACE.
  - EXCEPTION: GLAZING IN WALLS PERPENDICULAR TO THE PLANE OF THE DOOR IN A CLOSED POSITION GROUPED OR UNHUNG DETAILING UNITS IN GROUPS SHALL BE SUBJECT TO 2004 IBC 2405.2(1.4).
  - GLAZING IN AN INDIVIDUAL FIXED OR OPERABLE PANEL OTHER THAN THOSE LOCATIONS DESCRIBED IN ITEMS 2 AND 3 ABOVE THAT MEETS ALL OF THE FOLLOWING CONDITIONS:
    - EXPOSED AREA OF AN INDIVIDUAL PANE GREATER THAN 9 SQ FT (0.84 M<sup>2</sup>).
    - BOTTOM EDGE LESS THAN 8 INCHES (203 MM) ABOVE THE FLOOR.
    - TOP EDGE GREATER THAN 36 INCHES (914 MM) ABOVE THE FLOOR.
    - ONE OR MORE WALKING SURFACES WITHIN 36 INCHES (914 MM) HORIZONTALLY OF THE PLANE OF THE GLAZING.



**HEAD DETAIL WOOD SASH**  
**1**

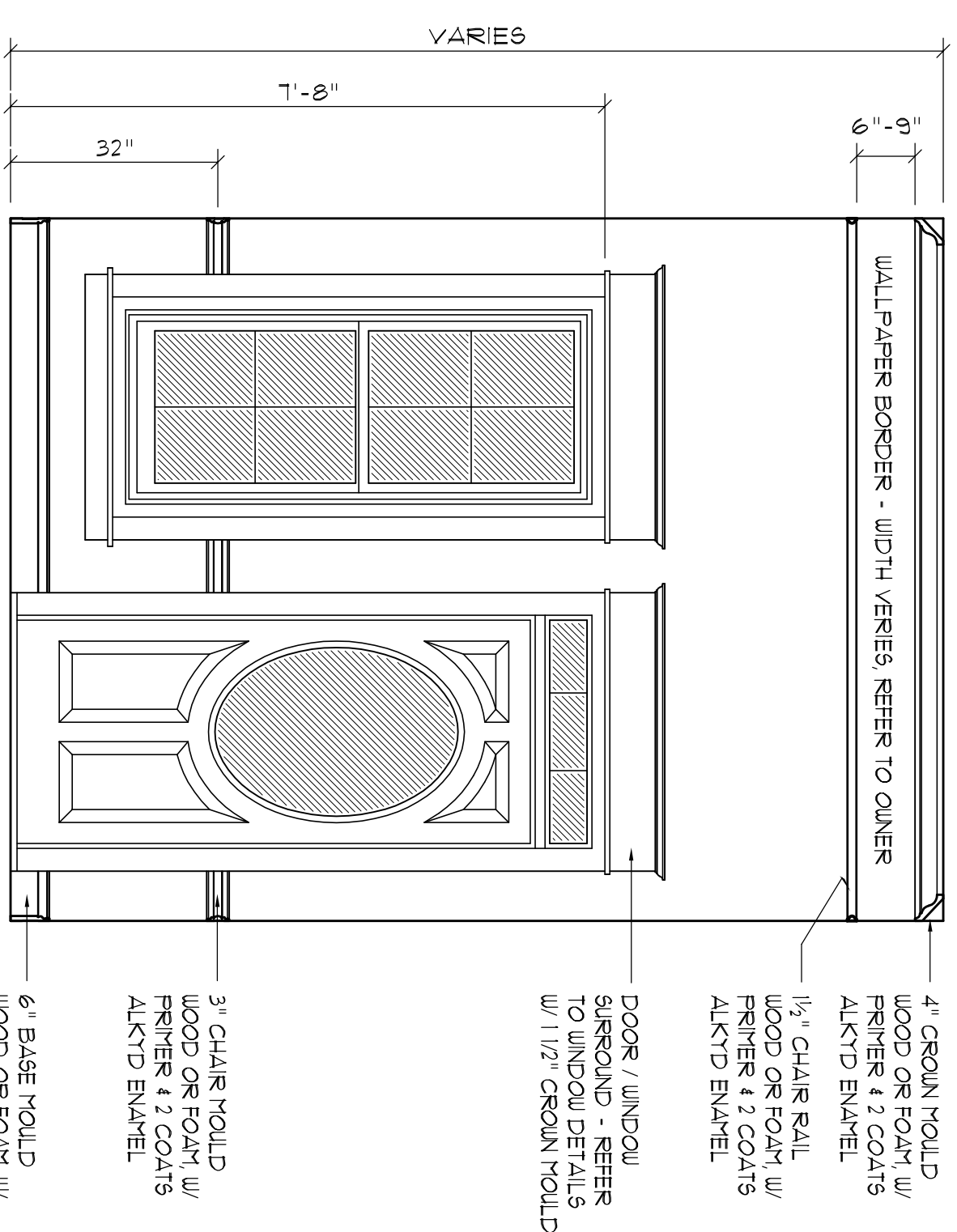


**JAMB DETAIL WOOD SASH**  
**2**

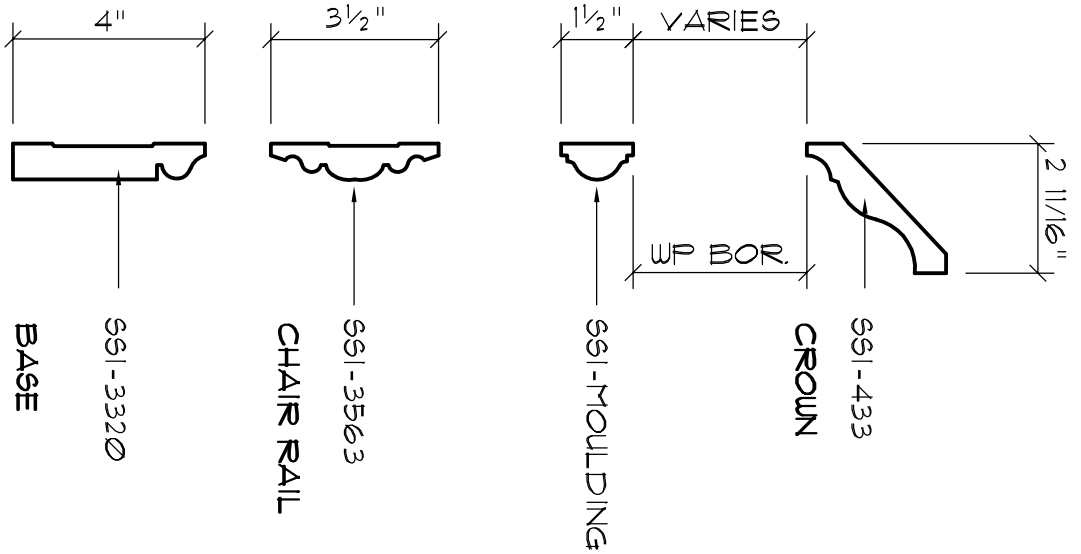


**SILL DETAIL WOOD SASH**  
**3**

**Typ. Window Det's**  
SCALE: 3" = 1'-0"  
**F**



**Int. Wall Trim Detail**  
SCALE: 1/2" = 1'-0"  
**I**



**Trim Profiles**  
SCALE: 3" = 1'-0"  
**J**

**NOTE 111**  
ALL PROFILES AS PER 945 CRAFTSMAN, INC., TAMPA, FLORIDA. PAINTED TRIM WOOD SPECIES SHALL BE "POPULAR" STAINED TRIM WOOD SPECIES SHALL BE "POPULAR"