

DESIGN SPECIFICATIONS

- DESIGN CODES: 2017 FLORIDA BUILDING CODE (FBC) - RESIDENTIAL ASCE 7-10, 2005 NDS, ACI, ATC, AMFA, APA, ICC 600-08
- OCCUPANCY: RESIDENTIAL GROUP R-3 (ONE- AND TWO-FAMILY DWELLINGS)
- DESIGN LOADS:
 - ROOF TRUSSES:
 - LL 20 PSF TOP CHORD
 - LL 0 PSF BOTTOM CHORD
 - DL 7 PSF TOP CHORD
 - DL 5 PSF BOTTOM CHORD
 - ROOF CONVENTIONAL FRAMING:
 - LL 20 PSF RAFTERS
 - LL 20 PSF CEILING JOISTS
 - DL 10 PSF RAFTERS
 - DL 10 PSF CEILING JOISTS
 - DL 30 PSF ATTICS WITH STORAGE
 - DL 10 PSF ATTICS WO STORAGE
 - FLOORS:
 - LL 40 PSF TOP CHORD
 - LL 0 PSF BOTTOM CHORD
 - DL 10 PSF TOP CHORD
 - DL 5 PSF BOTTOM CHORD
- MAXIMUM HEIGHT OF STRUCTURE:
- NUMBER OF STORIES: 1
- TYPE OF CONSTRUCTION: TYPE V-G, UNPROTECTED, UNSPRINKLERED
- WIND ZONE INFORMATION:
 - BUILDING: ENCLOSED STRUCTURE
 - ULTIMATE DESIGN WIND SPEED: 130 MPH
 - NOMINAL DESIGN WIND SPEED: 110 MPH
 - BUILDING RISK CATEGORY: II
 - WIND EXPOSURE CATEGORY: C
 - INTERNAL PRESSURE COEFFICIENT: 0.18 C_{gpi} ±

NOTE

Simpson Strong-Tie Co. Strong-Drive SDWC TRUSSES Screws may be used for uplift connection in lieu of straps. Strong-Drive SDWC TRUSSES Screws to be installed per manufacturer's specifications.

Simpson Strong-Tie Co. Titen HD Heavy-Duty Screw Anchors 5/8" x 8", maximum spacing of 42" o.c., may be used in lieu of 5/8"x10" anchor bolts with 3"x3"x1/8" washer. Titen HD Heavy-Duty Screw Anchors shall be installed per manufacturer's specifications.

ROOF SHEATHING FASTENING

- 4" O.C. GABLE END
- 6" O.C. EDGES (ALL ZONES)
- 6" O.C. INTERMEDIATE FRAMING (ZONE 3)
- 12" O.C. INTERMEDIATE FRAMING (ZONES 1 & 2)

SEE FIGURE R803.2.3.1, SECTION R803.1, 2017 FLORIDA BUILDING CODE - RESIDENTIAL, SIXTH EDITION FOR ROOF SHEATHING NAILING ZONES

ROOF NOTES

ROOF PITCH LESS THAN 4:12 DEL. LAYER OF UNDERLAMENT IS REQUIRED OVERLAP ROOFING UNDERLAMENT 4"(MIN) OVER HIP AND RIDGES

BUTTON CAP NAILS ARE USED TO FASTEN UNDERLAMENT TO ROOF DECK WHEN SHINGLES NOT INSTALLED SAME DAY

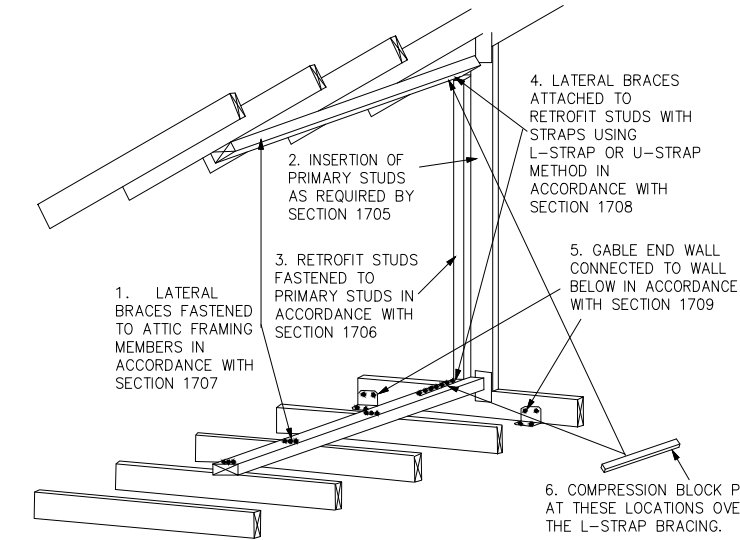
Drip edge installed over the underlayment at rakes and under the underlayment at eaves

ALL ROOF PENETRATIONS ARE PROPERLY FLASHED W/ FLASHING OF THE CORRECT SIZE FOR THE PENETRATION

METAL ROOFING ATTACHED W/ CORRECT FASTENERS PER CODE AND MANUFACTURERS SPECS

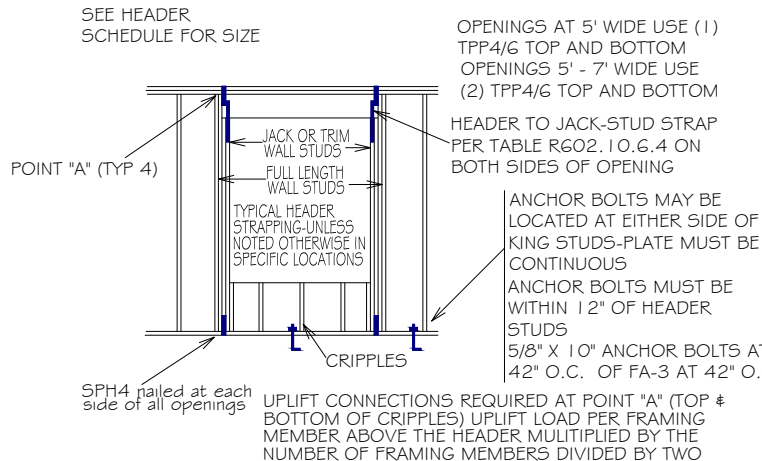
1" SPACE IS MAINTAINED BETWEEN THE END OF THE GUTTER AND THE WALL CLADDING

Double 1 3/4" x 9 1/2" LVL beam over opening up to 12' and up to 14'
 Double 1 3/4" x 11 7/8" LVL beam over opening over 12' and up to 14'
 Double 1 3/4" x 14" LVL beam over opening over 14' and up to 16' with 3 king studs each end and 2 trimmers each end of beam. Fastener with 1 1/2" nails to top plate and framing members. One F200 at both sides of opening embedded min 4" into concrete. LST18 strap over trimmer to header each side.



THIS FIGURE SHOWS A TRUSS GABLE END USING THE L-BENT STRAP METHOD IN ORDER TO SHOW STRAPS, COMPRESSION BLOCKS ARE NOT SHOWN. THE METHODOLOGY FOR A CONVENTIONALLY FRAMED GABLE END IS SIMILAR. NOT ALL DETAILS ARE SHOWN.

GABLE END BRACING
NOT TO SCALE



TYPICAL HEADER STRAPPING
NOT TO SCALE

ROOF VENT CALCULATION

FORMULA

1 SQUARE INCH FOR EVERY 300 SQUARE INCHES OF CEILING (14 SQUARE INCHES = 1 SQUARE FOOT BUILDING CEILING (50 FT² x 144 = BUILDING SQ FT BUILDING (50 FT² x 50 = SQ IN. OF VENT REQUIRED. 50 IN. OF VENT REQUIRED @ 50% AT HIGH AND 50% AT LOW

PER FBC SECTION R803.2: 40% MIN, BUT NOT MORE THAN 50% OF VENTILATION MUST BE PROVIDED BY VENTILATORS LOCATED A MIN 5' OF ABOVE EAVE

BASE OF CALCULATION:

(a) OFF RIDGE VENTS - STAMCO W/ 36 SQ IN. PER LINEAL FT
 (b) SOFFIT VENTS - 2" 13-1/2" FULL VENT PERFORATED W/ 9.19 SQ IN. PER LINEAL FT

CALCULATED AREA FOOT OF SOFFIT VENT SHALL NOT INCLUDE NON-VENTED FIRE RATED SOFFIT LOCATED LESS THAN 5' FROM PROPERTY LINE

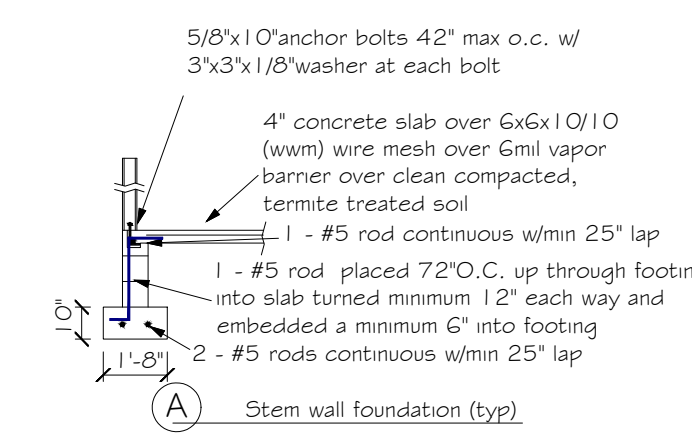
AREA (SQ FT)	REQUIRED VENTS	PROVIDED VENTS	EXHAUST (SQ IN)	LOW (SQ IN)
100	14	14	14	14

SOFFIT TABLE VENT SPECS.

Double 5" perforated soffits have a 6.20 sq. inch/ft. foot rating
 Triple 4" center vent soffits has a 1.295 sq. inch/ft. foot rating
 Triple 4" full vent soffits has a 5.827 sq. inch/ft. foot rating
 Triple 4" basketweave full vent has a 14.34 sq. inch/ft. foot rating
 Triple 4" center vent has a 4.79 sq. inch/ft. foot rating
 Double hidden vent soffits has 2.66 sq. inch/ft. foot rating
 Triple 3-1/2" hidden vent soffits has a 9.19 sq. inch/ft. foot rating

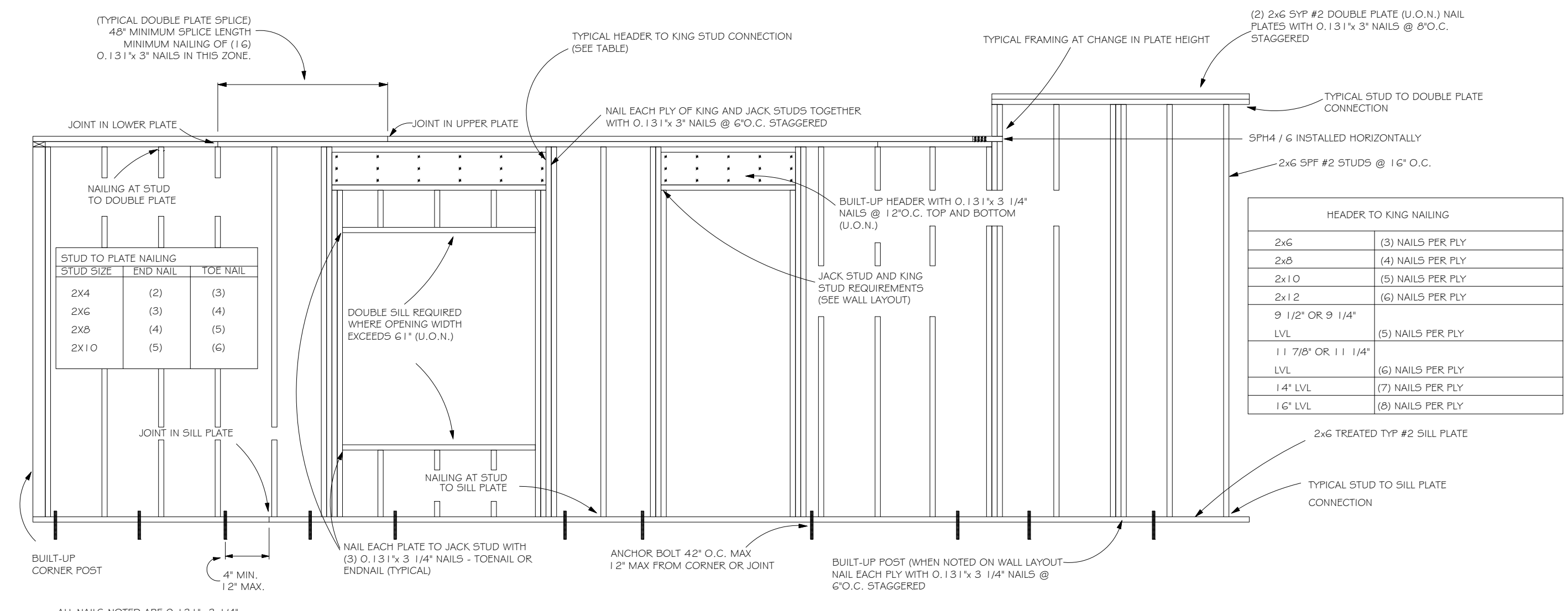
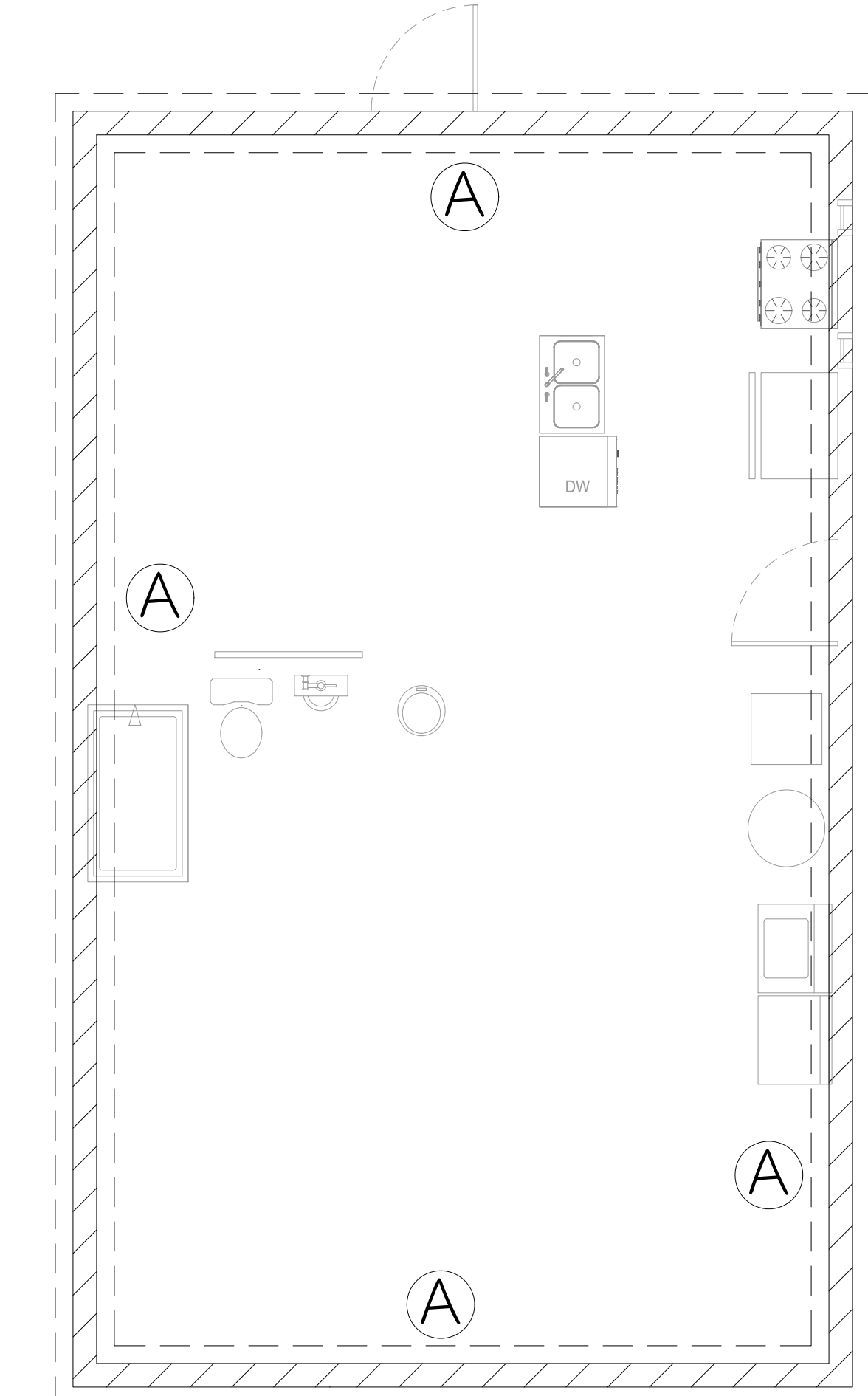
NOTE

7/16" O.S.B. NAILED WITH 8D 6" O.C. IN FIELD & 4" O.C. ON EDGES

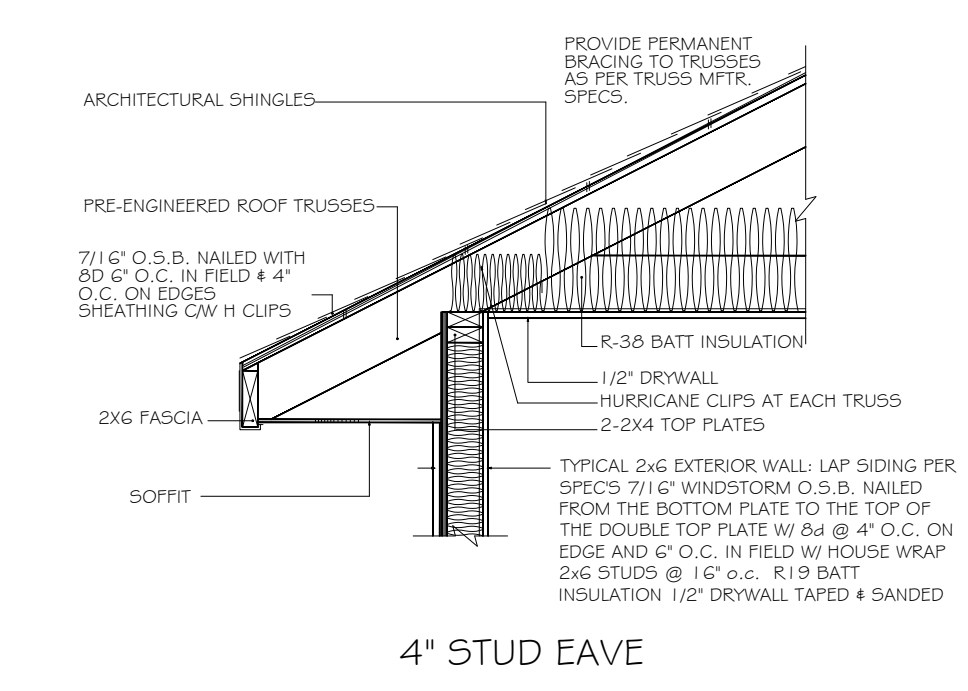


FOUNDATION NOTES

- REFER TO ARCHITECTURAL & BUILDING PLANS FOR ACTUAL DIMENSIONS, RECESSES IN SLAB, STEP DOWNS, ETC.
- CONTRACTOR SHALL VERIFY ALL ROUGH PLUMBING LOCATIONS WITH OWNER PRIOR TO POURING SLAB
- THE SLAB SHALL BE 4" CONCRETE SLAB REINFORCED W/ 6X6-1.4/1.4 WELDED WIRE MESH PLACED ON CHAIRS 1 1/2" DEPTH OR FIBER MESH CONCRETE, 6-MIL POLY VAPOR BARRIER W/ 6" LAPS SEALED W/ POLY TAPE OVER TERMITE-TREATED & COMPACTED FILL
- BOTTOM OF EXTERIOR FOOTINGS SHALL BE A MINIMUM OF 12" BELOW UNDISTURBED SOIL OR ENGINEERED FILL PER FBC-RES. SECTION R403.1.4



TYPICAL WALL FRAMING
NOT TO SCALE



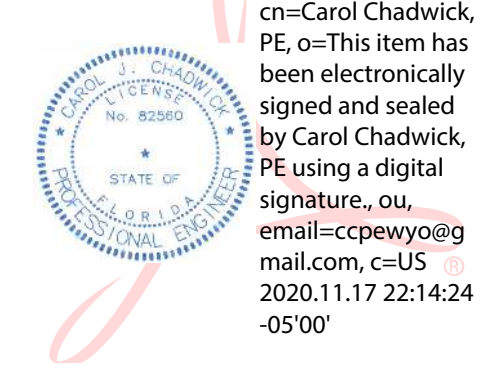
4" STUD EAVE

OPENING WIDTH	BEARING OR SHEAR WALL		NON-BEARING WALLS	
	2 - 2 x 6's	2 - 2 x 4's	2 - 2 x 6's	2 - 2 x 4's
0'-0" TO 3'-0"	2 - 2 x 6's	2 - 2 x 4's	2 - 2 x 6's	2 - 2 x 4's
3'-1" TO 5'-0"	2 - 2 x 10's	2 - 2 x 6's	2 - 2 x 6's	2 - 2 x 4's
5'-1" TO 7'-0"	2 - 2 x 10's	2 - 2 x 6's	2 - 2 x 6's	2 - 2 x 4's
7'-1" TO 10'-0"	2 - 2 x 10's	2 - 2 x 10's	2 - 2 x 10's	2 - 2 x 10's

NOTE: UPLIFT CONNECTION IS REQUIRED AT EACH END OF HEADER AND AT BOTTOM OF HEADER STUDS IN ADDITION TO CONNECTORS AT WALL STUDS AND AT TOP AND BOTTOM OF CRIPPLES

MAXIMUM HEADER SPAN: 3' | 6' | 9' | 12' | 15' | 18'

NUMBER OF FULL LENGTH STUDS (KINGS) AT END OF HEADER: 2



Carol Chadwick, PE
 ccm-Chadwick, PE
 This item has been electronically signed and sealed by Carol Chadwick, PE using a digital signature. ou
 email=cpewy@9mail.com, ceUS
 2020.11.17 22:14:24 -0500

PROJECT: PATTERSON ACCESSORY STRUCTURE FOUNDATION DETAILS

DATE: 11/17/2020

DESIGNED BY: CAROL CHADWICK, PE

CHECKED BY: CAROL CHADWICK, PE

PROJECT NO: 2020-11-17-221424-0500

SCALE: 1/8" = 1'-0"