



Lumber design values are in accordance with ANSI/TPI 1 section 6.3
These truss designs rely on lumber values established by others.

RE: little - Little

MiTek USA, Inc.
16023 Swingley Ridge Rd
Chesterfield, MO 63017

Site Information:

Customer Info: Don Little Project Name: . Model: .
Lot/Block: . Subdivision: .
Address: ., .
City: Lake City State: FL

Name Address and License # of Structural Engineer of Record, if there is one, for the building.

Name: License #:
Address:
City: State:

General Truss Engineering Criteria & Design Loads (Individual Truss Design Drawings Show Special Loading Conditions):

Design Code: FBC2020/TPI2014 Design Program: MiTek 20/20 8.5
Wind Code: ASCE 7-16 Wind Speed: 130 mph
Roof Load: 40.0 psf Floor Load: N/A psf

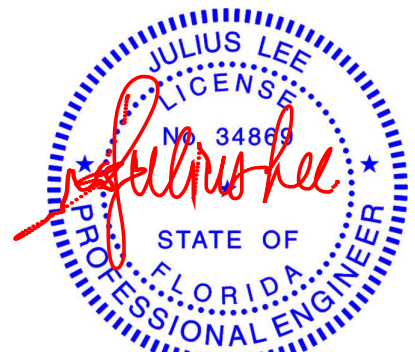
This package includes 12 individual, Truss Design Drawings and 0 Additional Drawings.
With my seal affixed to this sheet, I hereby certify that I am the Truss Design Engineer and this index sheet conforms to 61G15-31.003, section 5 of the Florida Board of Professional Engineers Rules.

No.	Seal#	Truss Name	Date
1	T30377764	A01GE	4/20/23
2	T30377765	A02	4/20/23
3	T30377766	A03	4/20/23
4	T30377767	A04	4/20/23
5	T30377768	A05	4/20/23
6	T30377769	A06	4/20/23
7	T30377770	A07GE	4/20/23
8	T30377771	B01GE	4/20/23
9	T30377772	B02	4/20/23
10	T30377773	C01GE	4/20/23
11	T30377774	C02	4/20/23
12	T30377775	C03	4/20/23

The truss drawing(s) referenced above have been prepared by MiTek USA, Inc. under my direct supervision based on the parameters provided by Mayo Truss Company, Inc..

Truss Design Engineer's Name: Lee, Julius
My license renewal date for the state of Florida is February 28, 2025.

IMPORTANT NOTE: The seal on these truss component designs is a certification that the engineer named is licensed in the jurisdiction(s) identified and that the designs comply with ANSI/TPI 1. These designs are based upon parameters shown (e.g., loads, supports, dimensions, shapes and design codes), which were given to MiTek or TRENCO. Any project specific information included is for MiTek's or TRENCO's customers file reference purpose only, and was not taken into account in the preparation of these designs. MiTek or TRENCO has not independently verified the applicability of the design parameters or the designs for any particular building. Before use, the building designer should verify applicability of design parameters and properly incorporate these designs into the overall building design per ANSI/TPI 1, Chapter 2.



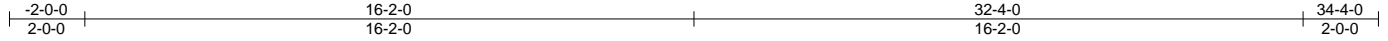
Julius Lee PE No. 34869
MiTek Inc. DBA MiTek USA FL Cert 6634
16023 Swingley Ridge Rd. Chesterfield, MO 63017
Date:

April 21, 2023

Job	Truss	Truss Type	Qty	Ply	Little	T30377764
LITTLE	A01GE	Common Supported Gable	1	1		

Mayo Truss Company, Inc., Mayo, FL - 32066,

8.530 s Mar 9 2023 MiTek Industries, Inc. Thu Apr 20 15:16:59 2023 Page 1
 ID:SueBNSs42?RL1?rgzi?ttDzOoz4-oVCq9G8kWRy7gFk8WOgLUqox9z_SOxYf81kPxezOnf2



Scale = 1:61.2

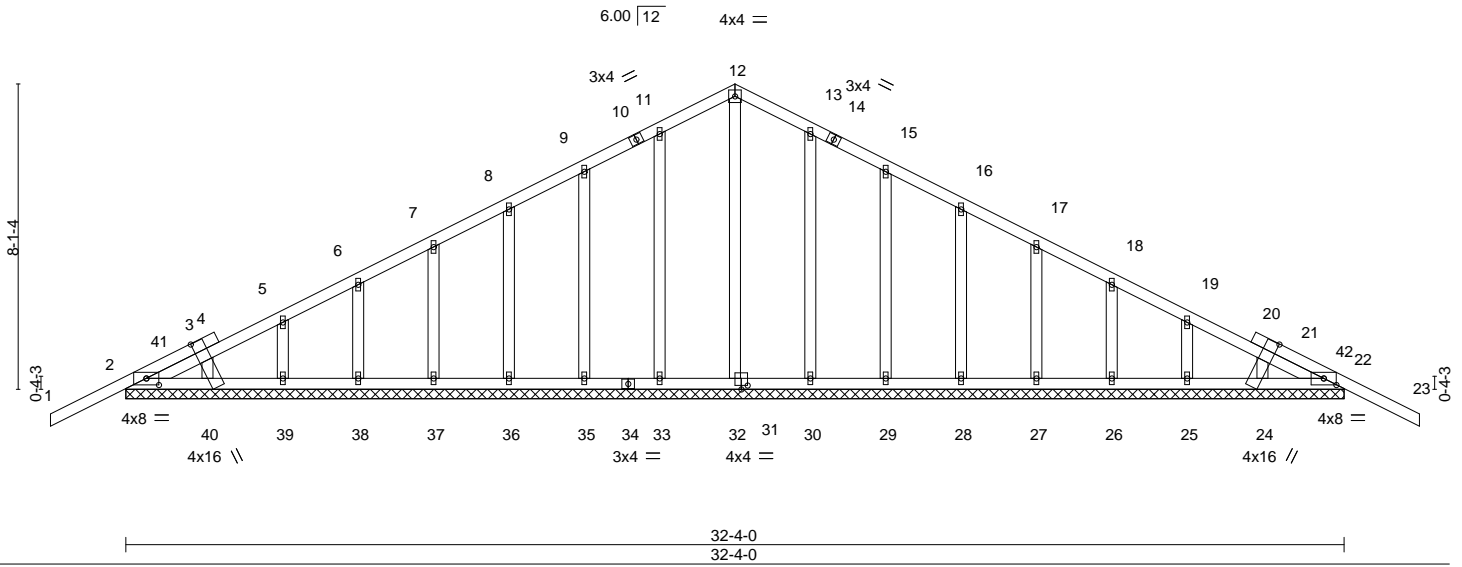


Plate Offsets (X,Y)--	[2:0-4-0-0-2-1], [22:0-4-0-0-2-1], [24:0-3-6,1-5-8], [32:0-2-0,0-1-4], [40:0-3-6,1-5-8]
-----------------------	---

LOADING (psf)	SPACING-	CSI.	DEFL.	in (loc)	l/defl	L/d	PLATES	GRIP
TCLL 20.0	Plate Grip DOL 1.25	TC 0.26	Vert(LL) -0.02	23	n/r	120	MT20	244/190
TCDL 10.0	Lumber DOL 1.25	BC 0.04	Vert(CT) -0.03	23	n/r	120		
BCLL 0.0 *	Rep Stress Incr YES	WB 0.15	Horz(CT) 0.00	22	n/a	n/a		
BCDL 10.0	Code FBC2020/TPI2014	Matrix-S					Weight: 200 lb	FT = 20%

LUMBER-	BRACING-
TOP CHORD 2x4 SP No.2	TOP CHORD Structural wood sheathing directly applied or 6-0-0 oc purlins.
BOT CHORD 2x4 SP No.2	BOT CHORD Rigid ceiling directly applied or 10-0-0 oc bracing.
OTHERS 2x4 SP No.2	

REACTIONS. All bearings 32-4-0.
 (lb) - Max Horz 2=154(LC 11)
 Max Uplift All uplift 100 lb or less at joint(s) 2, 33, 35, 36, 37, 38, 39, 30, 29, 28, 27, 26, 25, 22
 Max Grav All reactions 250 lb or less at joint(s) 32, 33, 35, 36, 37, 38, 39, 40, 30, 29, 28, 27, 26, 25, 24
 except 2=255(LC 1), 22=255(LC 1)

FORCES. (lb) - Max. Comp./Max. Ten. - All forces 250 (lb) or less except when shown.


- NOTES-**
- Unbalanced roof live loads have been considered for this design.
 - Wind: ASCE 7-16; Vult=130mph (3-second gust) Vasd=101mph; TC DL=6.0psf; BCDL=6.0psf; h=15ft; B=45ft; L=32ft; eave=2ft; Cat. II; Exp B; Encl., GCpi=0.18; MWFRS (directional) and C-C Corner(3E) -2-0-0 to 1-2-13, Exterior(2N) 1-2-13 to 16-2-0, Corner(3R) 16-2-0 to 19-4-13, Exterior(2N) 19-4-13 to 34-4-0 zone; cantilever left and right exposed; end vertical left and right exposed; C-C for members and forces & MWFRS for reactions shown; Lumber DOL=1.60 plate grip DOL=1.60
 - Truss designed for wind loads in the plane of the truss only. For studs exposed to wind (normal to the face), see Standard Industry Gable End Details as applicable, or consult qualified building designer as per ANSI/TPI 1.
 - Building Designer / Project engineer responsible for verifying applied roof live load shown covers rain loading requirements specific to the use of this truss component.
 - All plates are 1.5x4 MT20 unless otherwise indicated.
 - Gable requires continuous bottom chord bearing.
 - Gable studs spaced at 2-0-0 oc.
 - This truss has been designed for a 10.0 psf bottom chord live load nonconcurrent with any other live loads.
 - * This truss has been designed for a live load of 20.0psf on the bottom chord in all areas where a rectangle 3-6-0 tall by 2-0-0 wide will fit between the bottom chord and any other members.
 - Provide mechanical connection (by others) of truss to bearing plate capable of withstanding 100 lb uplift at joint(s) 2, 33, 35, 36, 37, 38, 39, 30, 29, 28, 27, 26, 25, 22.



Julius Lee PE No. 34869
 MiTek Inc. DBA MiTek USA FL Cert 6634
 16023 Swingley Ridge Rd. Chesterfield, MO 63017
 Date:

April 21, 2023

WARNING - Verify design parameters and READ NOTES ON THIS AND INCLUDED MITEK REFERENCE PAGE MII-7473 rev. 5/19/2020 BEFORE USE.
 Design valid for use only with MiTek® connectors. This design is based only upon parameters shown, and is for an individual building component, not a truss system. Before use, the building designer must verify the applicability of design parameters and properly incorporate this design into the overall building design. Bracing indicated is to prevent buckling of individual truss web and/or chord members only. Additional temporary and permanent bracing is always required for stability and to prevent collapse with possible personal injury and property damage. For general guidance regarding the fabrication, storage, delivery, erection and bracing of trusses and truss systems, see **ANSI/TPI1 Quality Criteria, DSB-89 and BCSI Building Component Safety Information** available from Truss Plate Institute, 2670 Crain Highway, Suite 203 Waldorf, MD 20601



16023 Swingley Ridge Rd
 Chesterfield, MO 63017

Job	Truss	Truss Type	Qty	Ply	Little	T30377766
LITTLE	A03	Common	1	1		

Mayo Truss Company, Inc., Mayo, FL - 32066,

8.530 s Mar 9 2023 MiTek Industries, Inc. Thu Apr 20 15:17:03 2023 Page 1

ID:5ueBNSs42?RL1?rgzi?ttDzOoz4-gHRL?eBEafSZ9s1vIEIHegzaBaD6Ke9F3fid4PzOnf_



Scale = 1:56.8

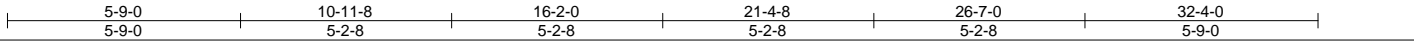
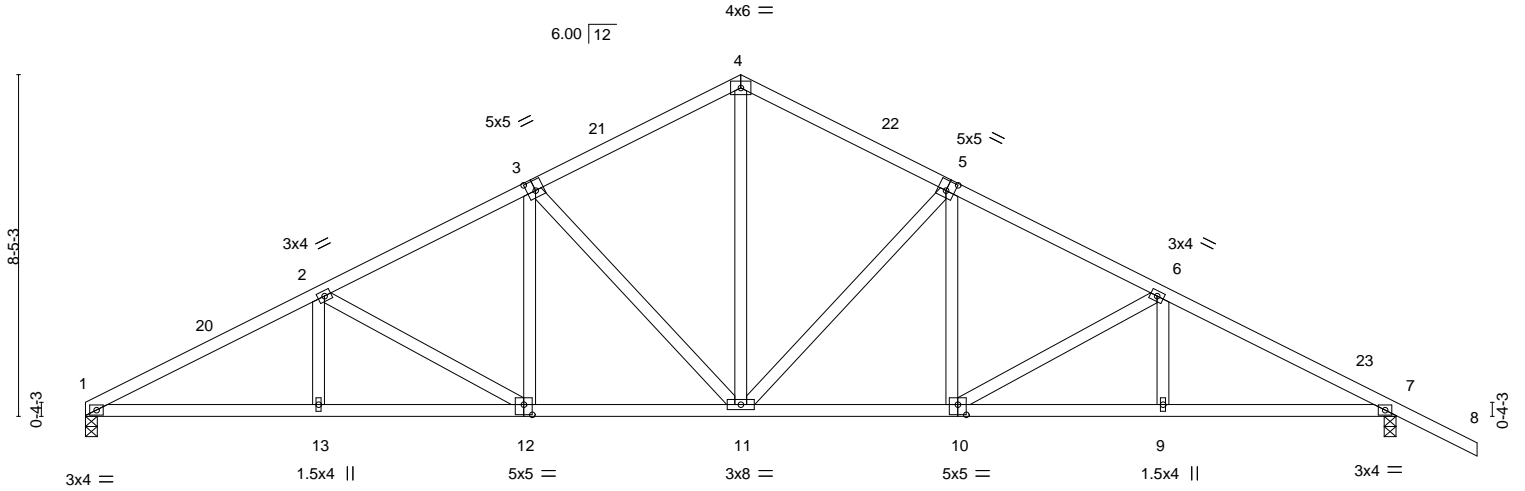


Plate Offsets (X,Y)-- [3:0-2-8,0-3-0], [5:0-2-8,0-3-0], [10:0-2-8,0-3-0], [12:0-2-8,0-3-0]

LOADING (psf)	SPACING-	2-0-0	CSI.	DEFL.	in (loc)	l/defl	L/d	PLATES	GRIP
TCLL 20.0	Plate Grip DOL	1.25	TC 0.39	Vert(LL)	-0.12 11	>999	240	MT20	244/190
TCDL 10.0	Lumber DOL	1.25	BC 0.57	Vert(CT)	-0.25 11-12	>999	180		
BCLL 0.0 *	Rep Stress Incr	YES	WB 0.56	Horz(CT)	0.10 7	n/a	n/a		
BCDL 10.0	Code	FBC2020/TP12014	Matrix-AS					Weight: 179 lb	FT = 20%

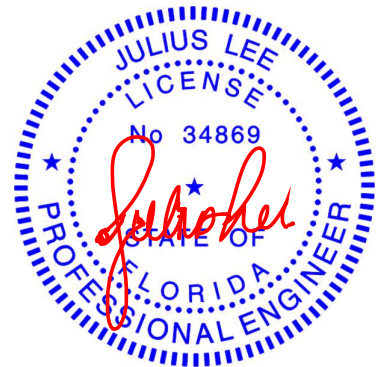
LUMBER-
TOP CHORD 2x4 SP No.2
BOT CHORD 2x4 SP No.2
WEBS 2x4 SP No.2

BRACING-
TOP CHORD Structural wood sheathing directly applied.
BOT CHORD Rigid ceiling directly applied.

REACTIONS. (size) 1=0-3-8, 7=0-3-8
Max Horz 1=-155(LC 10)
Max Uplift 7=-51(LC 12)
Max Grav 1=1290(LC 1), 7=1417(LC 1)

FORCES. (lb) - Max. Comp./Max. Ten. - All forces 250 (lb) or less except when shown.
TOP CHORD 1-2=-2467/101, 2-3=-1983/121, 3-4=-1503/145, 4-5=-1503/138, 5-6=-1974/107,
6-7=-2446/76
BOT CHORD 1-13=-7/2168, 12-13=-7/2168, 11-12=0/1683, 10-11=0/1676, 9-10=0/2131, 7-9=0/2131
WEBS 4-11=-6/942, 5-11=-555/62, 5-10=0/357, 6-10=-516/46, 3-11=-565/64, 3-12=0/362,
2-12=-550/62

- NOTES-**
- Unbalanced roof live loads have been considered for this design.
 - Wind: ASCE 7-16; Vult=130mph (3-second gust) Vasd=101mph; TC DL=6.0psf; BCDL=6.0psf; h=15ft; B=45ft; L=32ft; eave=4ft; Cat. II; Exp B; Encl., GCpi=0.18; MWFRS (directional) and C-C Exterior(2E) 0-0-0 to 3-2-13, Interior(1) 3-2-13 to 16-2-0, Exterior(2R) 16-2-0 to 19-4-13, Interior(1) 19-4-13 to 34-4-0 zone; cantilever left and right exposed; end vertical left and right exposed; C-C for members and forces & MWFRS for reactions shown; Lumber DOL=1.60 plate grip DOL=1.60
 - Building Designer / Project engineer responsible for verifying applied roof live load shown covers rain loading requirements specific to the use of this truss component.
 - This truss has been designed for a 10.0 psf bottom chord live load nonconcurrent with any other live loads.
 - * This truss has been designed for a live load of 20.0psf on the bottom chord in all areas where a rectangle 3-6-0 tall by 2-0-0 wide will fit between the bottom chord and any other members.
 - Provide mechanical connection (by others) of truss to bearing plate capable of withstanding 100 lb uplift at joint(s) 7.
 - This truss design requires that a minimum of 7/16" structural wood sheathing be applied directly to the top chord and 1/2" gypsum sheetrock be applied directly to the bottom chord.



Julius Lee PE No. 34869
MiTek Inc. DBA MiTek USA FL Cert 6634
16023 Swingley Ridge Rd. Chesterfield, MO 63017
Date:

April 21, 2023

WARNING - Verify design parameters and READ NOTES ON THIS AND INCLUDED MITEK REFERENCE PAGE MII-7473 rev. 5/19/2020 BEFORE USE.

Design valid for use only with MiTek® connectors. This design is based only upon parameters shown, and is for an individual building component, not a truss system. Before use, the building designer must verify the applicability of design parameters and properly incorporate this design into the overall building design. Bracing indicated is to prevent buckling of individual truss web and/or chord members only. Additional temporary and permanent bracing is always required for stability and to prevent collapse with possible personal injury and property damage. For general guidance regarding the fabrication, storage, delivery, erection and bracing of trusses and truss systems, see

ANSI/TP1 Quality Criteria, DSB-89 and BCSI Building Component

Safety Information available from Truss Plate Institute, 2670 Crain Highway, Suite 203 Waldorf, MD 20601



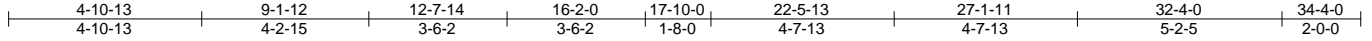
16023 Swingley Ridge Rd
Chesterfield, MO 63017

Job	Truss	Truss Type	Qty	Ply	Little	T30377767
LITTLE	A04	Roof Special	9	1		

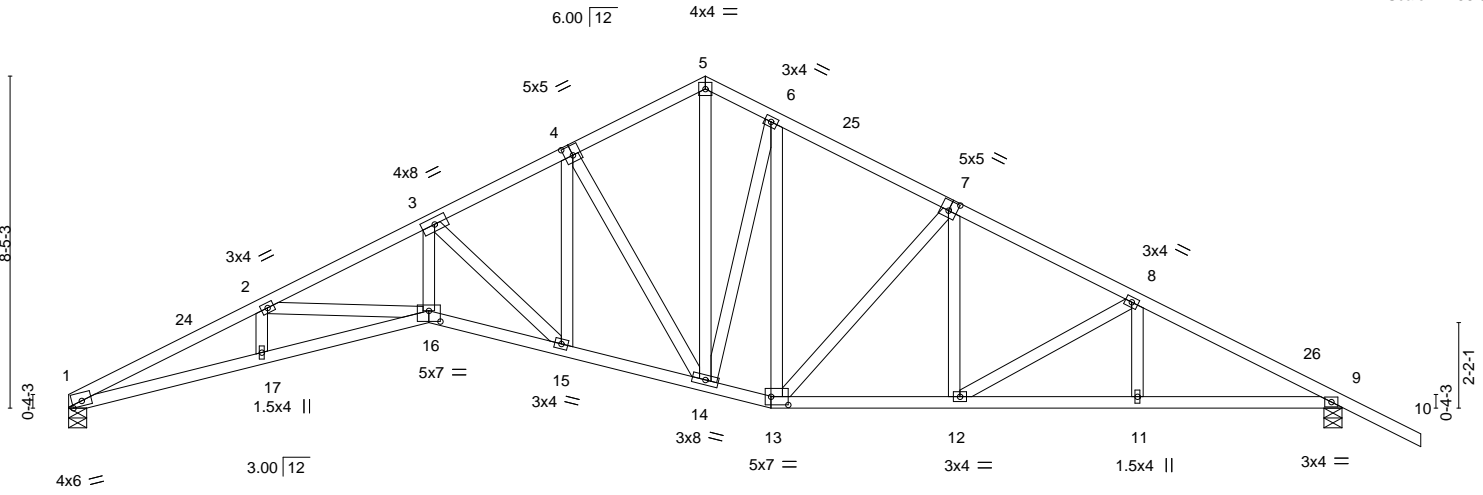
Mayo Truss Company, Inc., Mayo, FL - 32066,

8.530 s Mar 9 2023 MiTek Industries, Inc. Thu Apr 20 15:17:05 2023 Page 1

ID:5ueBNSs42?RL1?rgzi?ttDzOoz4-cfZ5QKDV6HiHOABlfnmj52vJOrOoSeYWzBj8lzOney



Scale = 1:58.5



4-10-13	9-1-12	12-7-14	16-2-0	17-10-0	22-5-13	27-1-11	32-4-0
4-10-13	4-2-15	3-6-2	3-6-2	1-8-0	4-7-13	4-7-13	5-2-5

Plate Offsets (X,Y)-- [4:0-2-8,0-3-0], [7:0-2-8,0-3-0], [13:0-5-4,0-2-8], [16:0-3-8,0-3-4]									
LOADING (psf)	SPACING-	2-0-0	CSI.	DEFL.	in (loc)	l/defl	L/d	PLATES	GRIP
TCLL 20.0	Plate Grip DOL	1.25	TC 0.47	Vert(LL)	-0.28 16	>999	240	MT20	244/190
TCDL 10.0	Lumber DOL	1.25	BC 0.78	Vert(CT)	-0.57 16-17	>678	180		
BCLL 0.0 *	Rep Stress Incr	YES	WB 0.95	Horz(CT)	0.31 9	n/a	n/a		
BCDL 10.0	Code	FBC2020/TPI2014	Matrix-AS					Weight: 200 lb	FT = 20%

LUMBER-

TOP CHORD 2x4 SP No.2
 BOT CHORD 2x4 SP No.2 *Except*
 1-16: 2x4 SP No.1
 WEBS 2x4 SP No.2

BRACING-

TOP CHORD Structural wood sheathing directly applied.
 BOT CHORD Rigid ceiling directly applied.

REACTIONS.

(size) 1=0-5-8, 9=0-5-8
 Max Horz 1=-155(LC 10)
 Max Uplift 9=-51(LC 12)
 Max Grav 1=1290(LC 1), 9=1417(LC 1)

FORCES. (lb) - Max. Comp./Max. Ten. - All forces 250 (lb) or less except when shown.

TOP CHORD 1-2=-4318/105, 2-3=-3945/87, 3-4=-2246/116, 4-5=-1551/149, 5-6=-1549/158,
 6-7=-1634/133, 7-8=-2058/97, 8-9=-2460/74
 BOT CHORD 1-17=-23/3900, 16-17=-23/3920, 15-16=0/3612, 14-15=0/2007, 13-14=0/1478,
 12-13=0/1769, 11-12=-0/2148, 9-11=-0/2148
 WEBS 2-16=-353/73, 3-16=0/1942, 3-15=-2119/30, 4-15=0/1135, 4-14=-1162/32,
 5-14=-95/1189, 6-14=-348/100, 7-13=-509/35, 7-12=0/357, 8-12=-438/47

NOTES-

- Unbalanced roof live loads have been considered for this design.
- Wind: ASCE 7-16; Vult=130mph (3-second gust) Vasd=101mph; TCDL=6.0psf; BCDL=6.0psf; h=15ft; B=45ft; L=32ft; eave=4ft; Cat. II; Exp B; Encl., GCpi=0.18; MWFRS (directional) and C-C Exterior(2E) 0-0-0 to 3-2-13, Interior(1) 3-2-13 to 16-2-0, Exterior(2R) 16-2-0 to 19-4-13, Interior(1) 19-4-13 to 34-4-0 zone; cantilever left and right exposed; end vertical left and right exposed; C-C for members and forces & MWFRS for reactions shown; Lumber DOL=1.60 plate grip DOL=1.60
- Building Designer / Project engineer responsible for verifying applied roof live load shown covers rain loading requirements specific to the use of this truss component.
- This truss has been designed for a 10.0 psf bottom chord live load nonconcurrent with any other live loads.
- * This truss has been designed for a live load of 20.0psf on the bottom chord in all areas where a rectangle 3-6-0 tall by 2-0-0 wide will fit between the bottom chord and any other members.
- Bearing at joint(s) 1 considers parallel to grain value using ANSI/TPI 1 angle to grain formula. Building designer should verify capacity of bearing surface.
- Provide mechanical connection (by others) of truss to bearing plate capable of withstanding 100 lb uplift at joint(s) 9.
- This truss design requires that a minimum of 7/16" structural wood sheathing be applied directly to the top chord and 1/2" gypsum sheetrock be applied directly to the bottom chord.



Julius Lee PE No. 34869
 MiTek Inc. DBA MiTek USA FL Cert 6634
 16023 Swingley Ridge Rd. Chesterfield, MO 63017
 Date:

April 21, 2023

WARNING - Verify design parameters and READ NOTES ON THIS AND INCLUDED MITEK REFERENCE PAGE MII-7473 rev. 5/19/2020 BEFORE USE.

Design valid for use only with MiTek® connectors. This design is based only upon parameters shown, and is for an individual building component, not a truss system. Before use, the building designer must verify the applicability of design parameters and properly incorporate this design into the overall building design. Bracing indicated is to prevent buckling of individual truss web and/or chord members only. Additional temporary and permanent bracing is always required for stability and to prevent collapse with possible personal injury and property damage. For general guidance regarding the fabrication, storage, delivery, erection and bracing of trusses and truss systems, see **ANSI/TPI1 Quality Criteria, DSB-89 and BCSI Building Component Safety Information** available from Truss Plate Institute, 2670 Crain Highway, Suite 203 Waldorf, MD 20601



16023 Swingley Ridge Rd
 Chesterfield, MO 63017

Job	Truss	Truss Type	Qty	Ply	Little	T30377768
LITTLE	A05	Common	1	1		

Mayo Truss Company, Inc., Mayo, FL - 32066,

8.530 s Mar 9 2023 MiTek Industries, Inc. Thu Apr 20 15:17:06 2023 Page 1

ID:5ueBNSs42?RL1?rgzi?ttDzOoz4-4s7UdfE7taq80KmUQMI?GJb4EoG5X?uhldwHgzOnex



Scale = 1:57.8

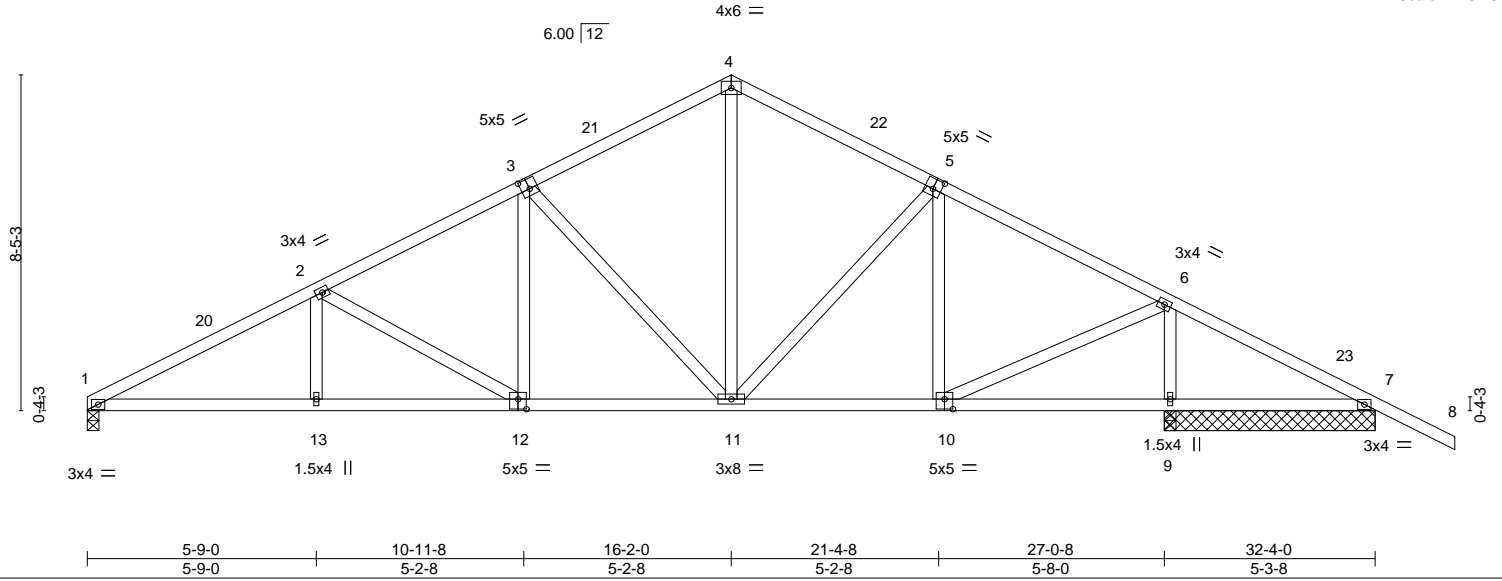


Plate Offsets (X,Y)--	[3:0-2-8,0-3-0], [5:0-2-8,0-3-0], [10:0-2-8,0-3-0], [12:0-2-8,0-3-0]
-----------------------	--

LOADING (psf)	SPACING-	CSI.	DEFL.	in (loc)	l/defl	L/d	PLATES	GRIP
TCLL 20.0	Plate Grip DOL 1.25	TC 0.46	Vert(LL) -0.06	12	>999	240	MT20	244/190
TCDL 10.0	Lumber DOL 1.25	BC 0.49	Vert(CT) -0.14	12-13	>999	180		
BCLL 0.0 *	Rep Stress Incr YES	WB 0.56	Horz(CT) 0.04	9	n/a	n/a		
BCDL 10.0	Code FBC2020/TPI2014	Matrix-AS					Weight: 179 lb	FT = 20%

LUMBER-
 TOP CHORD 2x4 SP No.2
 BOT CHORD 2x4 SP No.2
 WEBS 2x4 SP No.2

BRACING-
 TOP CHORD Structural wood sheathing directly applied.
 BOT CHORD Rigid ceiling directly applied.

REACTIONS. All bearings 5-3-8 except (jt=length) 1=0-3-8.
 (lb) - Max Horz 1=155(LC 10)
 Max Uplift All uplift 100 lb or less at joint(s) 1, 7
 Max Grav All reactions 250 lb or less at joint(s) 7, 7 except 1=1040(LC 1), 9=1570(LC 1), 9=1570(LC 1)

FORCES. (lb) - Max. Comp./Max. Ten. - All forces 250 (lb) or less except when shown.
 TOP CHORD 1-2=-1921/91, 2-3=-1429/111, 3-4=-947/135, 4-5=-947/136, 5-6=-880/96, 6-7=-5/505
 BOT CHORD 1-13=0/1681, 12-13=0/1681, 11-12=0/1187, 10-11=0/719, 9-10=-380/65, 7-9=-380/65
 WEBS 4-11=0/484, 5-10=-417/44, 6-10=0/1192, 6-9=-1432/104, 3-11=-566/64, 3-12=0/365, 2-12=-557/63


- NOTES-**
- 1) Unbalanced roof live loads have been considered for this design.
 - 2) Wind: ASCE 7-16; Vult=130mph (3-second gust) Vasd=101mph; TCCL=6.0psf; BCDL=6.0psf; h=15ft; B=45ft; L=32ft; eave=4ft; Cat. II; Exp B; Encl., GCpi=0.18; MWFRS (directional) and C-C Exterior(2E) 0-0-0 to 3-2-13, Interior(1) 3-2-13 to 16-2-0, 16-2-0 to 19-4-13, Interior(1) 19-4-13 to 34-4-0 zone; cantilever left and right exposed; end vertical left and right exposed; C-C for members and forces & MWFRS for reactions shown; Lumber DOL=1.60 plate grip DOL=1.60
 - 3) Building Designer / Project engineer responsible for verifying applied roof live load shown covers rain loading requirements specific to the use of this truss component.
 - 4) This truss has been designed for a 10.0 psf bottom chord live load nonconcurrent with any other live loads.
 - 5) * This truss has been designed for a live load of 20.0psf on the bottom chord in all areas where a rectangle 3-6-0 tall by 2-0-0 wide will fit between the bottom chord and any other members.
 - 6) Provide mechanical connection (by others) of truss to bearing plate capable of withstanding 100 lb uplift at joint(s) 1, 7, 7.
 - 7) This truss design requires that a minimum of 7/16" structural wood sheathing be applied directly to the top chord and 1/2" gypsum sheetrock be applied directly to the bottom chord.



Julius Lee PE No. 34869
 MiTek Inc. DBA MiTek USA FL Cert 6634
 16023 Swingley Ridge Rd. Chesterfield, MO 63017
 Date:

April 21, 2023

WARNING - Verify design parameters and READ NOTES ON THIS AND INCLUDED MITEK REFERENCE PAGE MII-7473 rev. 5/19/2020 BEFORE USE.
 Design valid for use only with MiTek® connectors. This design is based only upon parameters shown, and is for an individual building component, not a truss system. Before use, the building designer must verify the applicability of design parameters and properly incorporate this design into the overall building design. Bracing indicated is to prevent buckling of individual truss web and/or chord members only. Additional temporary and permanent bracing is always required for stability and to prevent collapse with possible personal injury and property damage. For general guidance regarding the fabrication, storage, delivery, erection and bracing of trusses and truss systems, see **ANSI/TPI1 Quality Criteria, DSB-89 and BCSI Building Component Safety Information** available from Truss Plate Institute, 2670 Crain Highway, Suite 203 Waldorf, MD 20601



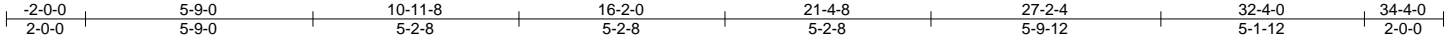
16023 Swingley Ridge Rd
 Chesterfield, MO 63017

Job	Truss	Truss Type	Qty	Ply	Little	T30377769
LITTLE	A06	Common	5	1		

Mayo Truss Company, Inc., Mayo, FL - 32066,

8.530 s Mar 9 2023 MiTek Industries, Inc. Thu Apr 20 15:17:08 2023 Page 1

ID:5ueBNSs42?RL1?rgzi?ttDzOoz4-1EFE2LFNPC4rFdwYnLTLkgQkbyE?vY_CxPOkdzOnev



Scale = 1:58.2

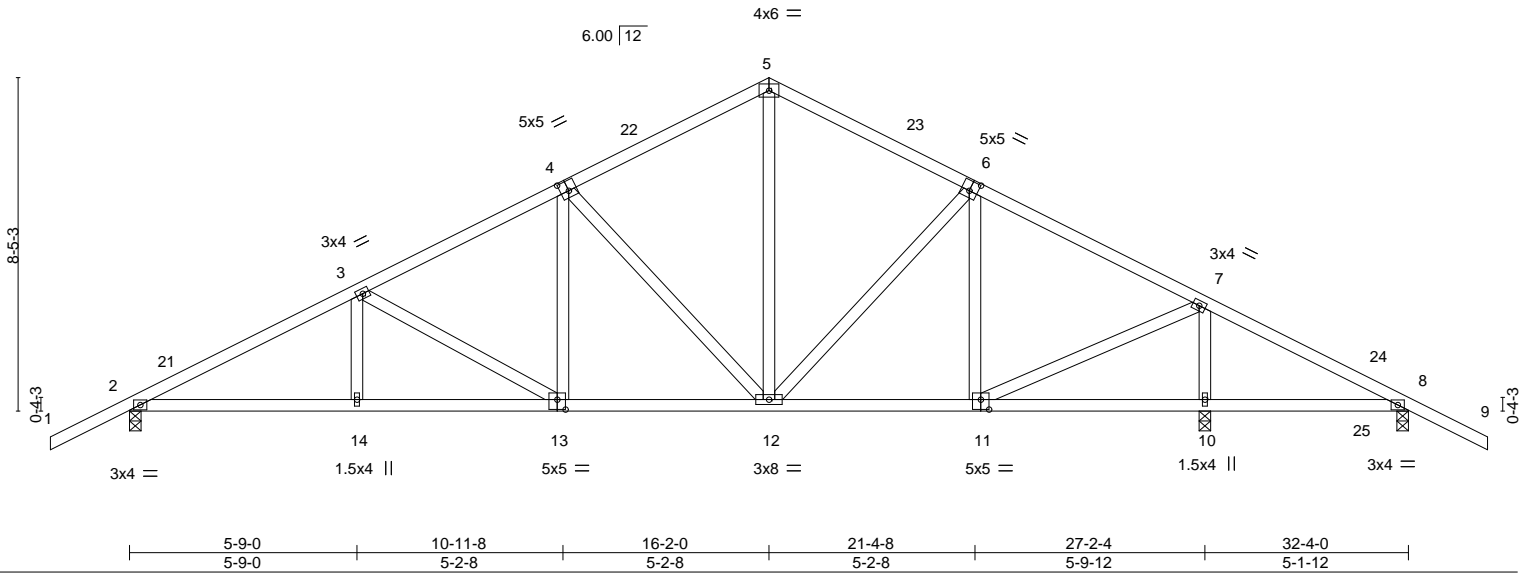


Plate Offsets (X,Y)--	[4:0-2-8,0-3-0], [6:0-2-8,0-3-0], [11:0-2-8,0-3-0], [13:0-2-8,0-3-0]
-----------------------	--

LOADING (psf)	SPACING-	2-0-0	CSI.	DEFL.	in (loc)	l/defl	L/d	PLATES	GRIP
TCLL 20.0	Plate Grip DOL	1.25	TC 0.46	Vert(LL)	-0.06 13-14	>999	240	MT20	244/190
TCDL 10.0	Lumber DOL	1.25	BC 0.45	Vert(CT)	-0.14 13-14	>999	180		
BCLL 0.0 *	Rep Stress Incr	YES	WB 0.55	Horz(CT)	0.04 10	n/a	n/a		
BCDL 10.0	Code	FBC2020/TPI2014	Matrix-AS					Weight: 182 lb	FT = 20%

LUMBER-
 TOP CHORD 2x4 SP No.2
 BOT CHORD 2x4 SP No.2
 WEBS 2x4 SP No.2

BRACING-
 TOP CHORD Structural wood sheathing directly applied.
 BOT CHORD Rigid ceiling directly applied.

REACTIONS. (size) 2=0-3-8, 10=0-3-8, 8=0-3-8
 Max Horz 2=-159(LC 10)
 Max Uplift 2=-53(LC 12), 10=-15(LC 12), 8=-117(LC 12)
 Max Grav 2=1165(LC 1), 10=1562(LC 1), 8=176(LC 22)

FORCES. (lb) - Max. Comp./Max. Ten. - All forces 250 (lb) or less except when shown.
 TOP CHORD 2-3=-1894/64, 3-4=-1414/96, 4-5=-941/128, 5-6=-941/133, 6-7=-878/96, 7-8=0/499
 BOT CHORD 2-14=0/1639, 13-14=0/1639, 12-13=0/1175, 11-12=0/716, 10-11=-375/40, 8-10=-375/40
 WEBS 3-13=-523/47, 4-13=0/360, 4-12=-556/62, 5-12=0/482, 6-11=-413/38, 7-11=0/1183,
 7-10=-1425/98

- NOTES-**
- Unbalanced roof live loads have been considered for this design.
 - Wind: ASCE 7-16; Vult=130mph (3-second gust) Vasd=101mph; TC DL=6.0psf; BCDL=6.0psf; h=15ft; B=45ft; L=32ft; eave=4ft; Cat. II; Exp B; Encl., GCpi=0.18; MWFRS (directional) and C-C Exterior(2E) -2-0-0 to 1-2-13, Interior(1) 1-2-13 to 16-2-0, Exterior(2R) 16-2-0 to 19-4-13, Interior(1) 19-4-13 to 34-4-0 zone; cantilever left and right exposed; end vertical left and right exposed; porch right exposed; C-C for members and forces & MWFRS for reactions shown; Lumber DOL=1.60 plate grip DOL=1.60
 - Building Designer / Project engineer responsible for verifying applied roof live load shown covers rain loading requirements specific to the use of this truss component.
 - This truss has been designed for a 10.0 psf bottom chord live load nonconcurrent with any other live loads.
 - * This truss has been designed for a live load of 20.0psf on the bottom chord in all areas where a rectangle 3-6-0 tall by 2-0-0 wide will fit between the bottom chord and any other members.
 - Provide mechanical connection (by others) of truss to bearing plate capable of withstanding 100 lb uplift at joint(s) 2, 10 except (jt=lb) 8=117.
 - This truss design requires that a minimum of 7/16" structural wood sheathing be applied directly to the top chord and 1/2" gypsum sheetrock be applied directly to the bottom chord.



Julius Lee PE No. 34869
 MiTek Inc. DBA MiTek USA FL Cert 6634
 16023 Swingley Ridge Rd. Chesterfield, MO 63017
 Date:

April 21, 2023

WARNING - Verify design parameters and READ NOTES ON THIS AND INCLUDED MITEK REFERENCE PAGE MII-7473 rev. 5/19/2020 BEFORE USE.

Design valid for use only with MiTek® connectors. This design is based only upon parameters shown, and is for an individual building component, not a truss system. Before use, the building designer must verify the applicability of design parameters and properly incorporate this design into the overall building design. Bracing indicated is to prevent buckling of individual truss web and/or chord members only. Additional temporary and permanent bracing is always required for stability and to prevent collapse with possible personal injury and property damage. For general guidance regarding the fabrication, storage, delivery, erection and bracing of trusses and truss systems, see

ANSI/TPI1 Quality Criteria, DSB-89 and BCSI Building Component

Safety Information available from Truss Plate Institute, 2670 Crain Highway, Suite 203 Waldorf, MD 20601



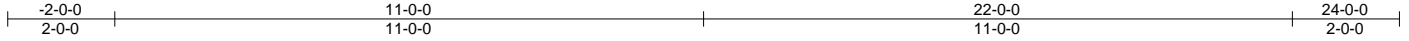
16023 Swingley Ridge Rd
 Chesterfield, MO 63017

Job	Truss	Truss Type	Qty	Ply	Little	T30377771
LITTLE	B01GE	Common Supported Gable	1	1		

Mayo Truss Company, Inc., Mayo, FL - 32066,

8.530 s Mar 9 2023 MiTek Industries, Inc. Thu Apr 20 15:17:12 2023 Page 1

ID:5ueBNSs42?RL1?rgzi?ttDzOoz4-v0UlujuSQaHkFDendPPWar9tCQlxrPa7ZNbuOzOner



Scale = 1:43.0

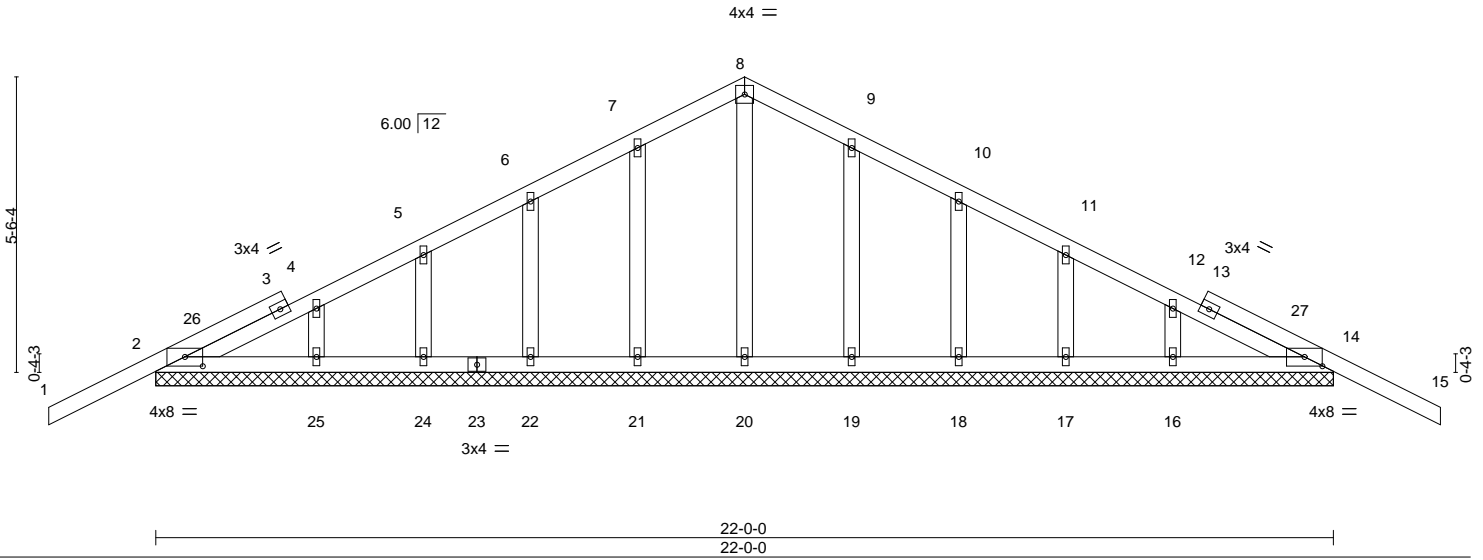


Plate Offsets (X,Y)-- [2:0-4-0,0-2-1], [14:0-4-0,0-2-1]

LOADING (psf)	SPACING-	CSI.	DEFL.	in (loc)	l/defl	L/d	PLATES	GRIP
TCLL 20.0	Plate Grip DOL 1.25	TC 0.26	Vert(LL) -0.02	15	n/r	120	MT20	244/190
TCDL 10.0	Lumber DOL 1.25	BC 0.06	Vert(CT) -0.03	15	n/r	120		
BCLL 0.0 *	Rep Stress Incr YES	WB 0.05	Horz(CT) 0.00	14	n/a	n/a		
BCDL 10.0	Code FBC2020/TPI2014	Matrix-S					Weight: 119 lb	FT = 20%

LUMBER-	BRACING-
TOP CHORD 2x4 SP No.2	TOP CHORD Structural wood sheathing directly applied or 6-0-0 oc purlins.
BOT CHORD 2x4 SP No.2	BOT CHORD Rigid ceiling directly applied or 10-0-0 oc bracing.
OTHERS 2x4 SP No.2	

REACTIONS. All bearings 22-0-0.
 (lb) - Max Horz 2=102(LC 10)
 Max Uplift All uplift 100 lb or less at joint(s) 2, 14, 21, 22, 24, 19, 18, 17
 Max Grav All reactions 250 lb or less at joint(s) 20, 21, 22, 24, 25, 19, 18, 17, 16 except 2=275(LC 1), 14=274(LC 1)

FORCES. (lb) - Max. Comp./Max. Ten. - All forces 250 (lb) or less except when shown.


- NOTES-**
- Unbalanced roof live loads have been considered for this design.
 - Wind: ASCE 7-16; Vult=130mph (3-second gust) Vasd=101mph; TC DL=6.0psf; BCDL=6.0psf; h=15ft; B=45ft; L=24ft; eave=2ft; Cat. II; Exp B; Encl., GCpi=0.18; MWFRS (directional) and C-C Corner(3E) -2-0-0 to 1-0-0, Exterior(2N) 1-0-0 to 11-0-0, Corner(3R) 11-0-0 to 14-0-0, Exterior(2N) 14-0-0 to 24-0-0 zone; cantilever left and right exposed; end vertical left and right exposed; C-C for members and forces & MWFRS for reactions shown; Lumber DOL=1.60 plate grip DOL=1.60
 - Truss designed for wind loads in the plane of the truss only. For studs exposed to wind (normal to the face), see Standard Industry Gable End Details as applicable, or consult qualified building designer as per ANSI/TPI 1.
 - Building Designer / Project engineer responsible for verifying applied roof live load shown covers rain loading requirements specific to the use of this truss component.
 - All plates are 1.5x4 MT20 unless otherwise indicated.
 - Gable requires continuous bottom chord bearing.
 - Gable studs spaced at 2-0-0 oc.
 - This truss has been designed for a 10.0 psf bottom chord live load nonconcurrent with any other live loads.
 - * This truss has been designed for a live load of 20.0psf on the bottom chord in all areas where a rectangle 3-6-0 tall by 2-0-0 wide will fit between the bottom chord and any other members.
 - Provide mechanical connection (by others) of truss to bearing plate capable of withstanding 100 lb uplift at joint(s) 2, 14, 21, 22, 24, 19, 18, 17.



Julius Lee PE No. 34869
 MiTek Inc. DBA MiTek USA FL Cert 6634
 16023 Swingley Ridge Rd. Chesterfield, MO 63017
 Date:

April 21, 2023

WARNING - Verify design parameters and READ NOTES ON THIS AND INCLUDED MITEK REFERENCE PAGE MII-7473 rev. 5/19/2020 BEFORE USE.
 Design valid for use only with MiTek® connectors. This design is based only upon parameters shown, and is for an individual building component, not a truss system. Before use, the building designer must verify the applicability of design parameters and properly incorporate this design into the overall building design. Bracing indicated is to prevent buckling of individual truss web and/or chord members only. Additional temporary and permanent bracing is always required for stability and to prevent collapse with possible personal injury and property damage. For general guidance regarding the fabrication, storage, delivery, erection and bracing of trusses and truss systems, see **ANSI/TPI1 Quality Criteria, DSB-89 and BCSI Building Component Safety Information** available from Truss Plate Institute, 2670 Crain Highway, Suite 203 Waldorf, MD 20601



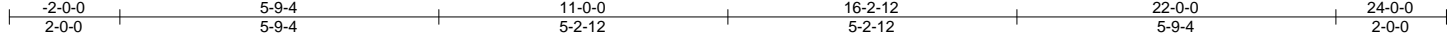
16023 Swingley Ridge Rd
 Chesterfield, MO 63017

Job	Truss	Truss Type	Qty	Ply	Little	T30377772
LITTLE	B02	Common	7	1		

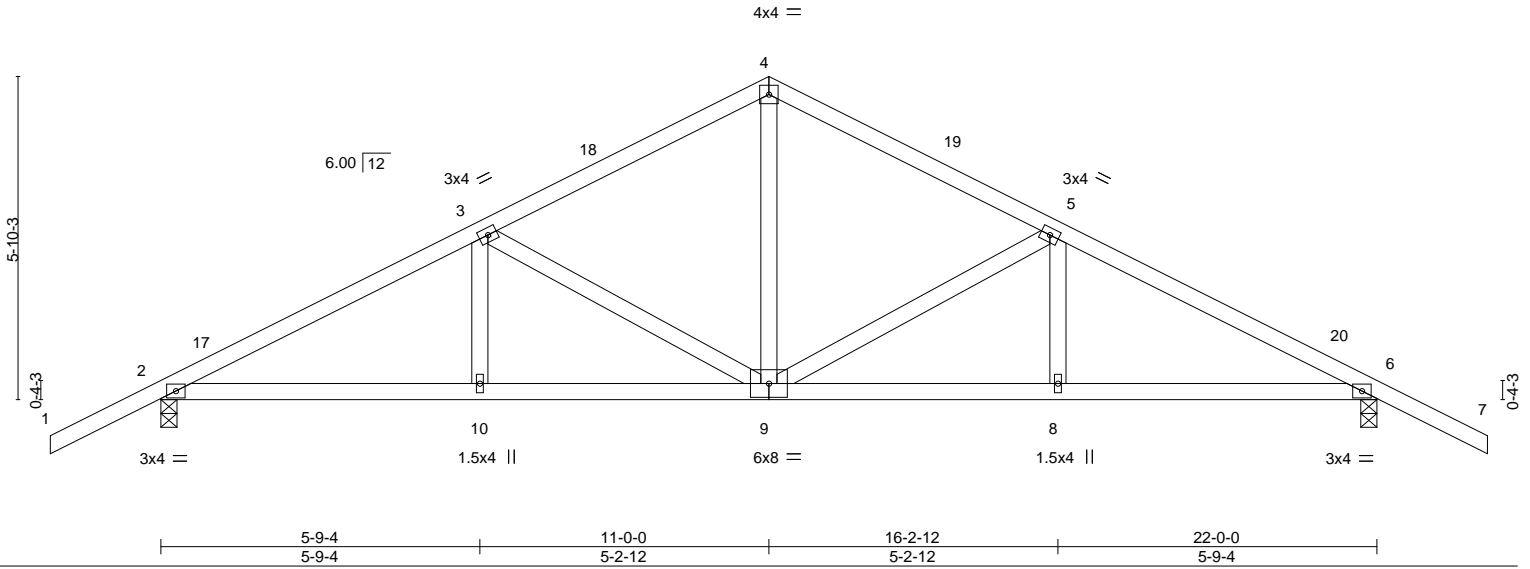
Mayo Truss Company, Inc., Mayo, FL - 32066,

8.530 s Mar 9 2023 MiTek Industries, Inc. Thu Apr 20 15:17:14 2023 Page 1

ID:5ueBNSs42?RL1?rgzi?ttDzOoz4-rOcVJPK8_2q?zYNou2Stb?wVE0?0PgNsatsiyGzOnep



Scale = 1:41.7



LOADING (psf)	SPACING-	CSI.	DEFL.	in	(loc)	l/defl	L/d	PLATES	GRIP
TCLL 20.0	2-0-0	TC 0.27	Vert(LL)	-0.05	9	>999	240	MT20	244/190
TCDL 10.0	Plate Grip DOL 1.25	BC 0.42	Vert(CT)	-0.12	8-9	>999	180		
BCLL 0.0 *	Lumber DOL 1.25	WB 0.34	Horz(CT)	0.04	6	n/a	n/a		
BCDL 10.0	Rep Stress Incr YES	Matrix-AS						Weight: 109 lb	FT = 20%
	Code FBC2020/TPI2014								

LUMBER-

TOP CHORD 2x4 SP No.2
 BOT CHORD 2x4 SP No.2
 WEBS 2x4 SP No.2

BRACING-

TOP CHORD Structural wood sheathing directly applied.
 BOT CHORD Rigid ceiling directly applied.

REACTIONS.

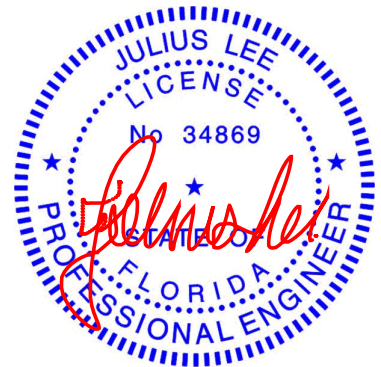
(size) 2=0-3-8, 6=0-3-8
 Max Horz 2=-107(LC 10)
 Max Uplift 2=-152(LC 12), 6=-152(LC 12)
 Max Grav 2=1000(LC 1), 6=1000(LC 1)

FORCES.

(lb) - Max. Comp./Max. Ten. - All forces 250 (lb) or less except when shown.
 TOP CHORD 2-3=-1527/296, 3-4=-1047/274, 4-5=-1047/274, 5-6=-1527/296
 BOT CHORD 2-10=-151/1351, 9-10=-151/1351, 8-9=-171/1309, 6-8=-171/1309
 WEBS 4-9=-88/578, 5-9=-556/154, 5-8=0/251, 3-9=-556/154, 3-10=0/251

NOTES-

- Unbalanced roof live loads have been considered for this design.
- Wind: ASCE 7-16; Vult=130mph (3-second gust) Vasd=101mph; TCDL=6.0psf; BCDL=6.0psf; h=15ft; B=45ft; L=24ft; eave=4ft; Cat. II; Exp B; Part. Encl., GCpi=0.55; MWFRS (directional) and C-C Exterior(2E) -2-0-0 to 1-0-0, Interior(1) 1-0-0 to 11-0-0, Exterior(2R) 11-0-0 to 14-0-0, Interior(1) 14-0-0 to 24-0-0 zone; cantilever left and right exposed; end vertical left and right exposed; C-C for members and forces & MWFRS for reactions shown; Lumber DOL=1.60 plate grip DOL=1.60
- Building Designer / Project engineer responsible for verifying applied roof live load shown covers rain loading requirements specific to the use of this truss component.
- This truss has been designed for a 10.0 psf bottom chord live load nonconcurrent with any other live loads.
- * This truss has been designed for a live load of 20.0psf on the bottom chord in all areas where a rectangle 3-6-0 tall by 2-0-0 wide will fit between the bottom chord and any other members.
- Provide mechanical connection (by others) of truss to bearing plate capable of withstanding 100 lb uplift at joint(s) except (jt=lb) 2=152, 6=152.
- This truss design requires that a minimum of 7/16" structural wood sheathing be applied directly to the top chord and 1/2" gypsum sheetrock be applied directly to the bottom chord.



Julius Lee PE No. 34869
 MiTek Inc. DBA MiTek USA FL Cert 6634
 16023 Swingley Ridge Rd. Chesterfield, MO 63017
 Date:

April 21, 2023

WARNING - Verify design parameters and READ NOTES ON THIS AND INCLUDED MITEK REFERENCE PAGE MII-7473 rev. 5/19/2020 BEFORE USE.

Design valid for use only with MiTek® connectors. This design is based only upon parameters shown, and is for an individual building component, not a truss system. Before use, the building designer must verify the applicability of design parameters and properly incorporate this design into the overall building design. Bracing indicated is to prevent buckling of individual truss web and/or chord members only. Additional temporary and permanent bracing is always required for stability and to prevent collapse with possible personal injury and property damage. For general guidance regarding the fabrication, storage, delivery, erection and bracing of trusses and truss systems, see

ANSI/TPI1 Quality Criteria, DSB-89 and BCSI Building Component

Safety Information available from Truss Plate Institute, 2670 Crain Highway, Suite 203 Waldorf, MD 20601



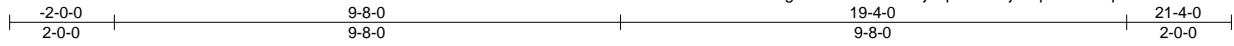
16023 Swingley Ridge Rd
 Chesterfield, MO 63017

Job LITTLE	Truss C01GE	Truss Type Common Supported Gable	Qty 1	Ply 1	Little Job Reference (optional)	T30377773
---------------	----------------	--------------------------------------	----------	----------	------------------------------------	-----------

Mayo Truss, Mayo, FL

8.530 s May 26 2022 MiTek Industries, Inc. Fri Apr 21 07:24:59 2023 Page 1

ID:5ueBNSs42?RL1?rgzi?ttDzOoz4-hFOjnbpiDZoh4jqKqRW2FD5pDBVooiJsn4EnBAzOk0Y



4x4 =

Scale = 1:44.0

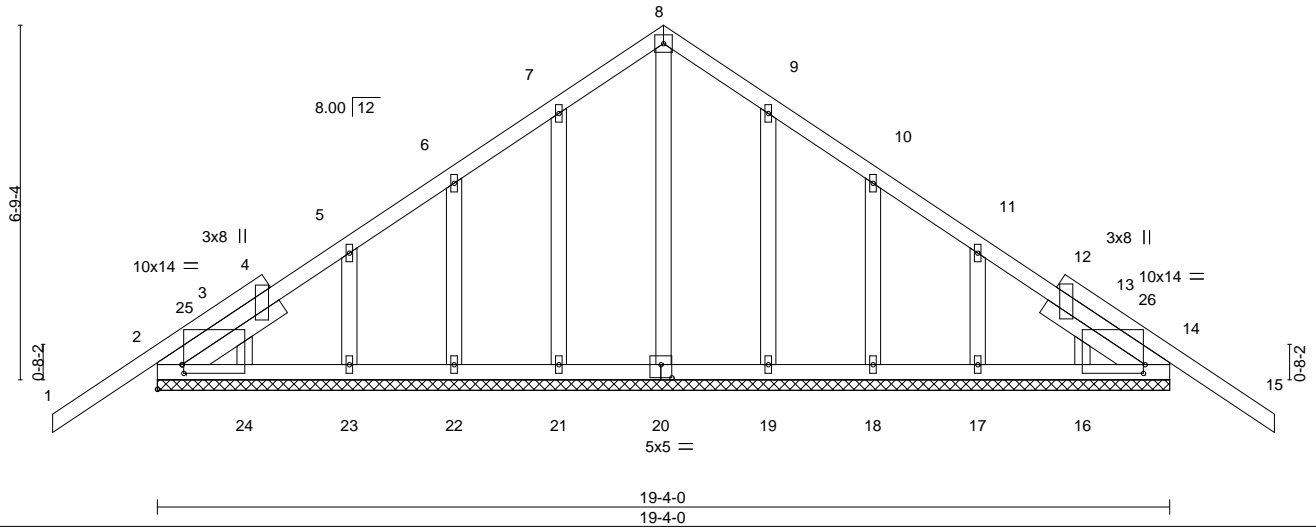


Plate Offsets (X,Y)-- [2:0-0-6,0-2-0], [2:0-5-10,0-5-10], [2:0-5-10,0-5-10], [14:0-0-6,0-2-0], [20:0-2-8,0-3-0]

LOADING (psf)	SPACING-	2-0-0	CSI.	DEFL.	in (loc)	l/defl	L/d	PLATES	GRIP
TCLL 20.0	Plate Grip DOL	1.25	TC 0.31	Vert(LL)	-0.02	15	n/r	MT20	244/190
TCDL 10.0	Lumber DOL	1.25	BC 0.04	Vert(CT)	-0.04	15	n/r		
BCLL 0.0 *	Rep Stress Incr	YES	WB 0.08	Horz(CT)	0.00	14	n/a		
BCDL 10.0	Code	FBC2020/TPI2014	Matrix-S						
								Weight: 127 lb	FT = 20%

LUMBER-

TOP CHORD 2x4 SP No.2
 BOT CHORD 2x4 SP No.2
 WEBS 2x4 SP No.2
 OTHERS 2x4 SP No.2

BRACING-

TOP CHORD Structural wood sheathing directly applied or 6-0-0 oc purlins.
 BOT CHORD Rigid ceiling directly applied or 10-0-0 oc bracing.

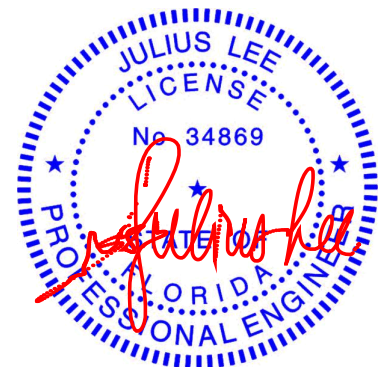
REACTIONS.

All bearings 19-4-0.
 (lb) - Max Horz 2=137(LC 11)
 Max Uplift All uplift 100 lb or less at joint(s) 2, 14, 21, 22, 23, 24, 19, 18, 17, 16
 Max Grav All reactions 250 lb or less at joint(s) 20, 21, 22, 23, 24, 19, 18, 17, 16 except 2=277(LC 1), 14=278(LC 1)

FORCES. (lb) - Max. Comp./Max. Ten. - All forces 250 (lb) or less except when shown.

NOTES-

- Unbalanced roof live loads have been considered for this design.
- Wind: ASCE 7-16; Vult=130mph (3-second gust) Vasd=101mph; TCDL=6.0psf; BCDL=6.0psf; h=15ft; B=45ft; L=24ft; eave=2ft; Cat. II; Exp B; Encl., GCpi=0.18; MWFRS (directional) and C-C Corner(3E) -2-0-0 to 1-0-0, Exterior(2N) 1-0-0 to 9-8-0, Corner(3R) 9-8-0 to 12-8-0, Exterior(2N) 12-8-0 to 21-4-0 zone; cantilever left and right exposed; end vertical left and right exposed; C-C for members and forces & MWFRS for reactions shown; Lumber DOL=1.60 plate grip DOL=1.60
- Truss designed for wind loads in the plane of the truss only. For studs exposed to wind (normal to the face), see Standard Industry Gable End Details as applicable, or consult qualified building designer as per ANSI/TPI 1.
- Building Designer / Project engineer responsible for verifying applied roof live load shown covers rain loading requirements specific to the use of this truss component.
- All plates are 1.5x4 MT20 unless otherwise indicated.
- Gable requires continuous bottom chord bearing.
- Gable studs spaced at 2-0-0 oc.
- This truss has been designed for a 10.0 psf bottom chord live load nonconcurrent with any other live loads.
- * This truss has been designed for a live load of 20.0psf on the bottom chord in all areas where a rectangle 3-6-0 tall by 2-0-0 wide will fit between the bottom chord and any other members.
- Provide mechanical connection (by others) of truss to bearing plate capable of withstanding 100 lb uplift at joint(s) 2, 14, 21, 22, 23, 24, 19, 18, 17, 16.



Julius Lee PE No. 34869
 MiTek Inc. DBA MiTek USA FL Cert 6634
 16023 Swingley Ridge Rd. Chesterfield, MO 63017
 Date:

April 21, 2023

WARNING - Verify design parameters and READ NOTES ON THIS AND INCLUDED MITEK REFERENCE PAGE MII-7473 rev. 5/19/2020 BEFORE USE.

Design valid for use only with MiTek® connectors. This design is based only upon parameters shown, and is for an individual building component, not a truss system. Before use, the building designer must verify the applicability of design parameters and properly incorporate this design into the overall building design. Bracing indicated is to prevent buckling of individual truss web and/or chord members only. Additional temporary and permanent bracing is always required for stability and to prevent collapse with possible personal injury and property damage. For general guidance regarding the fabrication, storage, delivery, erection and bracing of trusses and truss systems, see

ANSI/TPI1 Quality Criteria, DSB-89 and BCSI Building Component

Safety Information available from Truss Plate Institute, 2670 Crain Highway, Suite 203 Waldorf, MD 20601



16023 Swingley Ridge Rd
 Chesterfield, MO 63017

Job	Truss	Truss Type	Qty	Ply	Little	T30377774
LITTLE	C02	Common	3	1		

Mayo Truss Company, Inc., Mayo, FL - 32066,

8.530 s Mar 9 2023 MiTek Industries, Inc. Thu Apr 20 15:17:17 2023 Page 1

ID:5ueBNSS42?RL1?rgzi?ttDzOoz4-GzlexQMOHzDaq06baA?aDdY0gD2Jc36JHr5MZbzOnem



4x4 =

Scale = 1:45.5

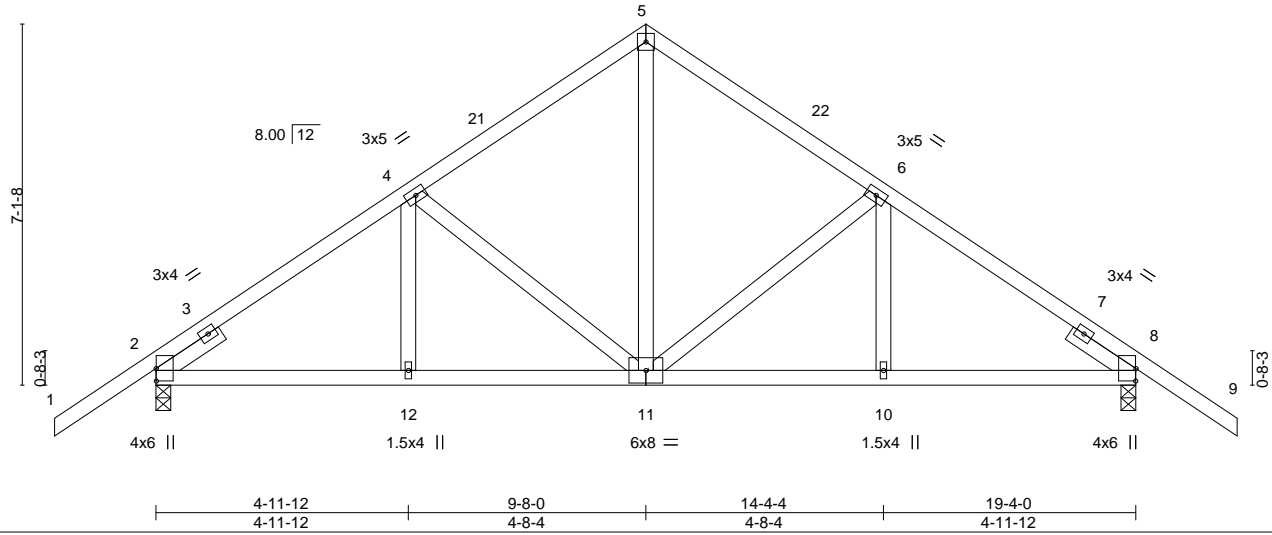


Plate Offsets (X,Y)-- [2:0-2-15,0-0-1], [8:0-2-15,0-0-1]

LOADING (psf)	SPACING-	CSI.	DEFL.	PLATES	GRIP
TCLL 20.0	2-0-0	TC 0.26	in (loc) l/defl L/d	MT20	244/190
TCDL 10.0	Plate Grip DOL 1.25	BC 0.32	Vert(LL) -0.03 10-11 >999 240		
BCLL 0.0 *	Lumber DOL 1.25	WB 0.21	Vert(CT) -0.07 10-11 >999 180		
BCDL 10.0	Rep Stress Incr YES	Matrix-AS	Horz(CT) 0.03 8 n/a n/a		
	Code FBC2020/TPI2014			Weight: 112 lb	FT = 20%

LUMBER-

TOP CHORD 2x4 SP No.2
 BOT CHORD 2x4 SP No.2
 WEBS 2x4 SP No.2
 SLIDER Left 2x4 SP No.2 1-6-0, Right 2x4 SP No.2 1-6-0

BRACING-

TOP CHORD Structural wood sheathing directly applied.
 BOT CHORD Rigid ceiling directly applied.

REACTIONS.

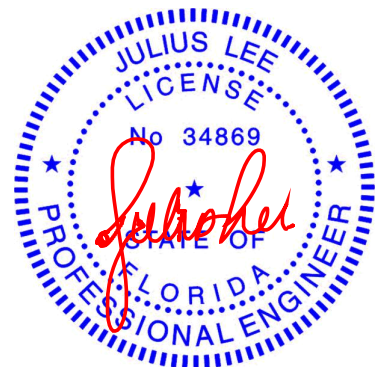
(size) 2=0-3-8, 8=0-3-8
 Max Horz 2=-143(LC 10)
 Max Uplift 2=-140(LC 12), 8=-140(LC 12)
 Max Grav 2=893(LC 1), 8=893(LC 1)

FORCES. (lb) - Max. Comp./Max. Ten. - All forces 250 (lb) or less except when shown.

TOP CHORD 2-4=-995/159, 4-5=-732/194, 5-6=-732/194, 6-8=-995/159
 BOT CHORD 2-12=-17/841, 11-12=-17/841, 10-11=-34/769, 8-10=-34/769
 WEBS 5-11=-85/468, 6-11=-348/115, 4-11=-348/115

NOTES-

- Unbalanced roof live loads have been considered for this design.
- Wind: ASCE 7-16; Vult=130mph (3-second gust) Vasd=101mph; TC DL=6.0psf; BCDL=6.0psf; h=15ft; B=45ft; L=24ft; eave=4ft; Cat. II; Exp B; Part. Encl., GCpi=0.55; MWFRS (directional) and C-C Exterior(2E) -2-0-0 to 1-0-0, Interior(1) 1-0-0 to 9-8-0, Exterior(2R) 9-8-0 to 12-8-0, Interior(1) 12-8-0 to 21-4-0 zone; cantilever left and right exposed; end vertical left and right exposed; C-C for members and forces & MWFRS for reactions shown; Lumber DOL=1.60 plate grip DOL=1.60
- Building Designer / Project engineer responsible for verifying applied roof live load shown covers rain loading requirements specific to the use of this truss component.
- This truss has been designed for a 10.0 psf bottom chord live load nonconcurrent with any other live loads.
- * This truss has been designed for a live load of 20.0psf on the bottom chord in all areas where a rectangle 3-6-0 tall by 2-0-0 wide will fit between the bottom chord and any other members.
- Provide mechanical connection (by others) of truss to bearing plate capable of withstanding 100 lb uplift at joint(s) except (jt=lb) 2=140, 8=140.
- This truss design requires that a minimum of 7/16" structural wood sheathing be applied directly to the top chord and 1/2" gypsum sheetrock be applied directly to the bottom chord.



Julius Lee PE No. 34869
 MiTek Inc. DBA MiTek USA FL Cert 6634
 16023 Swingley Ridge Rd. Chesterfield, MO 63017
 Date:

April 21, 2023

WARNING - Verify design parameters and READ NOTES ON THIS AND INCLUDED MITEK REFERENCE PAGE MII-7473 rev. 5/19/2020 BEFORE USE.

Design valid for use only with MiTek® connectors. This design is based only upon parameters shown, and is for an individual building component, not a truss system. Before use, the building designer must verify the applicability of design parameters and properly incorporate this design into the overall building design. Bracing indicated is to prevent buckling of individual truss web and/or chord members only. Additional temporary and permanent bracing is always required for stability and to prevent collapse with possible personal injury and property damage. For general guidance regarding the fabrication, storage, delivery, erection and bracing of trusses and truss systems, see

ANSI/TPI1 Quality Criteria, DSB-89 and BCSI Building Component

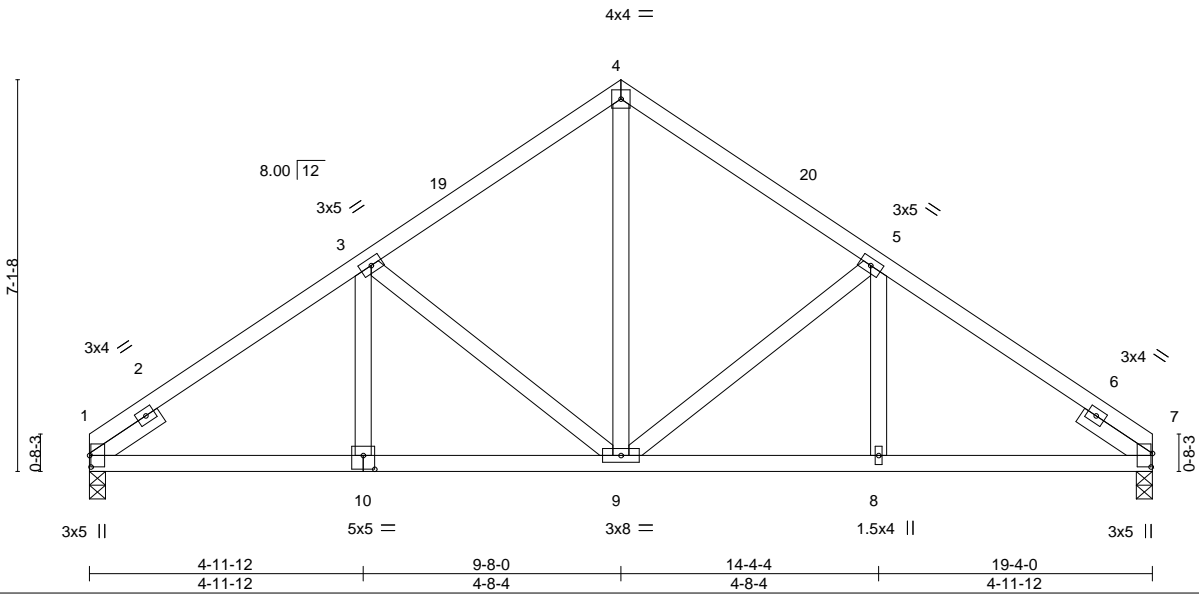
Safety Information available from Truss Plate Institute, 2670 Crain Highway, Suite 203 Waldorf, MD 20601



16023 Swingley Ridge Rd
 Chesterfield, MO 63017

Job	Truss	Truss Type	Qty	Ply	Little	T30377775
LITTLE	C03	Common	1	1		

Mayo Truss Company, Inc., Mayo, FL - 32066, 8.530 s Mar 9 2023 MiTek Industries, Inc. Thu Apr 20 15:17:19 2023 Page 1
 ID:5ueBNSs42?RL1?rgzi?ttDzOoz4-CMPOM6OHpaT14KG_hb12l2dNE1174zTbk9aTdUzOnek



Scale = 1:41.9

Plate Offsets (X,Y)-- [1:0-2-8,0-0-5], [7:0-2-15,0-0-5], [10:0-2-8,0-3-0]

LOADING (psf)	SPACING-	2-0-0	CSI.	DEFL.	in (loc)	l/defl	L/d	PLATES	GRIP
TCLL 20.0	Plate Grip DOL	1.25	TC 0.19	Vert(LL)	-0.03	9-10	>999	MT20	244/190
TCDL 10.0	Lumber DOL	1.25	BC 0.30	Vert(CT)	-0.06	9-10	>999		
BCLL 0.0 *	Rep Stress Incr	YES	WB 0.22	Horz(CT)	0.02	7	n/a		
BCDL 10.0	Code	FBC2020/TP12014	Matrix-AS					Weight: 105 lb	FT = 20%

LUMBER-
 TOP CHORD 2x4 SP No.2
 BOT CHORD 2x4 SP No.2
 WEBS 2x4 SP No.2
 SLIDER Left 2x4 SP No.2 1-6-0, Right 2x4 SP No.2 1-6-0

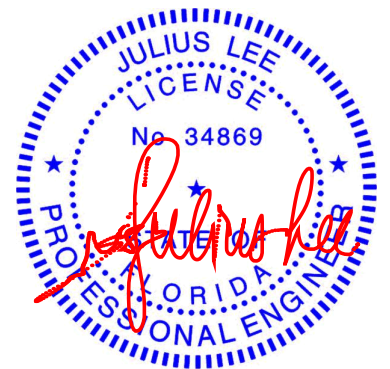
BRACING-
 TOP CHORD Structural wood sheathing directly applied.
 BOT CHORD Rigid ceiling directly applied.

REACTIONS. (size) 1=0-3-8, 7=0-3-8
 Max Horz 1=-119(LC 10)
 Max Uplift 1=-90(LC 12), 7=-90(LC 12)
 Max Grav 1=773(LC 1), 7=773(LC 1)

FORCES. (lb) - Max. Comp./Max. Ten. - All forces 250 (lb) or less except when shown.
 TOP CHORD 1-3=-1026/184, 3-4=-763/198, 4-5=-763/198, 5-7=-1032/179
 BOT CHORD 1-10=-88/855, 9-10=-88/855, 8-9=-77/807, 7-8=-77/807
 WEBS 4-9=-91/490, 5-9=-364/129, 3-9=-356/134

NOTES-

- Unbalanced roof live loads have been considered for this design.
- Wind: ASCE 7-16; Vult=130mph (3-second gust) Vasd=101mph; TC DL=6.0psf; BCDL=6.0psf; h=15ft; B=45ft; L=24ft; eave=4ft; Cat. II; Exp B; Part. Encl., GCpi=0.55; MWFRS (directional) and C-C Exterior(2E) 0-0-0 to 3-0-0, Interior(1) 3-0-0 to 9-8-0, Exterior(2R) 9-8-0 to 12-8-0, Interior(1) 12-8-0 to 19-4-0 zone; cantilever left and right exposed; end vertical left and right exposed; C-C for members and forces & MWFRS for reactions shown; Lumber DOL=1.60 plate grip DOL=1.60
- Building Designer / Project engineer responsible for verifying applied roof live load shown covers rain loading requirements specific to the use of this truss component.
- This truss has been designed for a 10.0 psf bottom chord live load nonconcurrent with any other live loads.
- * This truss has been designed for a live load of 20.0psf on the bottom chord in all areas where a rectangle 3-6-0 tall by 2-0-0 wide will fit between the bottom chord and any other members.
- Provide mechanical connection (by others) of truss to bearing plate capable of withstanding 100 lb uplift at joint(s) 1, 7.
- This truss design requires that a minimum of 7/16" structural wood sheathing be applied directly to the top chord and 1/2" gypsum sheetrock be applied directly to the bottom chord.



Julius Lee PE No. 34869
 MiTek Inc. DBA MiTek USA FL Cert 6634
 16023 Swingley Ridge Rd. Chesterfield, MO 63017
 Date:

April 21, 2023

WARNING - Verify design parameters and READ NOTES ON THIS AND INCLUDED MITEK REFERENCE PAGE MII-7473 rev. 5/19/2020 BEFORE USE.

Design valid for use only with MiTek® connectors. This design is based only upon parameters shown, and is for an individual building component, not a truss system. Before use, the building designer must verify the applicability of design parameters and properly incorporate this design into the overall building design. Bracing indicated is to prevent buckling of individual truss web and/or chord members only. Additional temporary and permanent bracing is always required for stability and to prevent collapse with possible personal injury and property damage. For general guidance regarding the fabrication, storage, delivery, erection and bracing of trusses and truss systems, see

ANSI/TP1 Quality Criteria, DSB-89 and BCSI Building Component

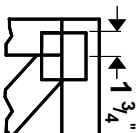
Safety Information available from Truss Plate Institute, 2670 Crain Highway, Suite 203 Waldorf, MD 20601



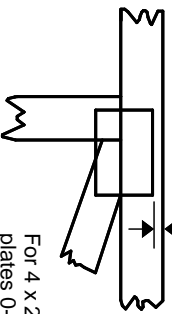
16023 Swingley Ridge Rd
 Chesterfield, MO 63017

Symbols

PLATE LOCATION AND ORIENTATION



Center plate on joint unless x, y offsets are indicated. Dimensions are in ft-in-sixteenths. Apply plates to both sides of truss and fully embed teeth.



For 4 x 2 orientation, locate plates 0- 1/16" from outside edge of truss.



This symbol indicates the required direction of slots in connector plates.

* Plate location details available in **MITek 20/20 software** or upon request.

PLATE SIZE

4 X 4

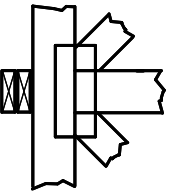
The first dimension is the plate width measured perpendicular to slots. Second dimension is the length parallel to slots.

LATERAL BRACING LOCATION



Indicated by symbol shown and/or by text in the bracing section of the output. Use T or I bracing if indicated.

BEARING



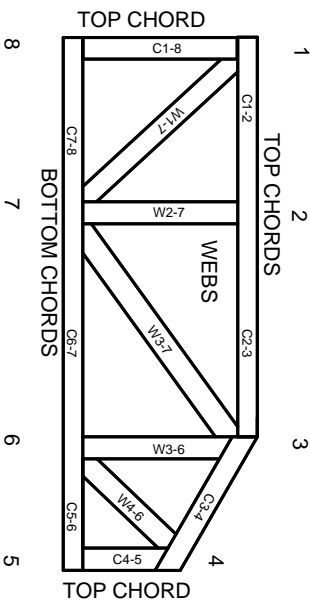
Indicates location where bearings (supports) occur. Icons vary but reaction section indicates joint number where bearings occur. Min size shown is for crushing only.

Industry Standards:

ANSI/TPI 1: National Design Specification for Metal Plate Connected Wood Truss Construction.
DSB-89: Design Standard for Bracing, Building Component Safety Information, Guide to Good Practice for Handling, Installing & Bracing of Metal Plate Connected Wood Trusses.

Numbering System

6-4-8 dimensions shown in ft-in-sixteenths (Drawings not to scale)



JOINTS ARE GENERALLY NUMBERED/LETTERED CLOCKWISE AROUND THE TRUSS STARTING AT THE JOINT FARTHEST TO THE LEFT.

CHORDS AND WEBS ARE IDENTIFIED BY END JOINT NUMBERS/LETTERS.

PRODUCT CODE APPROVALS

ICC-ES Reports:

ESR-1311, ESR-1352, ESR1988
ER-3907, ESR-2362, ESR-1397, ESR-3282

Trusses are designed for wind loads in the plane of the truss unless otherwise shown.

Lumber design values are in accordance with ANSI/TPI 1 section 6.3 These truss designs rely on lumber values established by others.

© 2012 MITek® All Rights Reserved



General Safety Notes

Failure to Follow Could Cause Property Damage or Personal Injury

1. Additional stability/bracing for truss system, e.g. diagonal or X-bracing, is always required. See BCSI.
2. Truss bracing must be designed by an engineer. For wide truss spacing, individual lateral braces themselves may require bracing, or alternative T or I bracing should be considered.
3. Never exceed the design loading shown and never stack materials on inadequately braced trusses.
4. Provide copies of this truss design to the building designer, erection supervisor, property owner and all other interested parties.
5. Cut members to bear tightly against each other.
6. Place plates on each face of truss at each joint and embed fully. Knots and wane at joint locations are regulated by ANSI/TPI 1.
7. Design assumes trusses will be suitably protected from the environment in accord with ANSI/TPI 1.
8. Unless otherwise noted, moisture content of lumber shall not exceed 19% at time of fabrication.
9. Unless expressly noted, this design is not applicable for use with fire retardant, preservative treated, or green lumber.
10. Camber is a non-structural consideration and is the responsibility of truss fabricator. General practice is to camber for dead load deflection.
11. Plate type, size, orientation and location dimensions indicated are minimum plating requirements.
12. Lumber used shall be of the species and size, and in all respects, equal to or better than that specified.
13. Top chords must be sheathed or purlins provided at spacing indicated on design.
14. Bottom chords require lateral bracing at 10 ft. spacing, or less, if no ceiling is installed, unless otherwise noted.
15. Connections not shown are the responsibility of others.
16. Do not cut or alter truss member or plate without prior approval of an engineer.
17. Install and load vertically unless indicated otherwise.
18. Use of green or treated lumber may pose unacceptable environmental, health or performance risks. Consult with project engineer before use.
19. Review all portions of this design (front, back, words and pictures) before use. Reviewing pictures alone is not sufficient.
20. Design assumes manufacture in accordance with ANSI/TPI 1 Quality Criteria.
21. The design does not take into account any dynamic or other loads other than those expressly stated.



MITek Engineering Reference Sheet: Mill-7473 rev. 5/19/2020