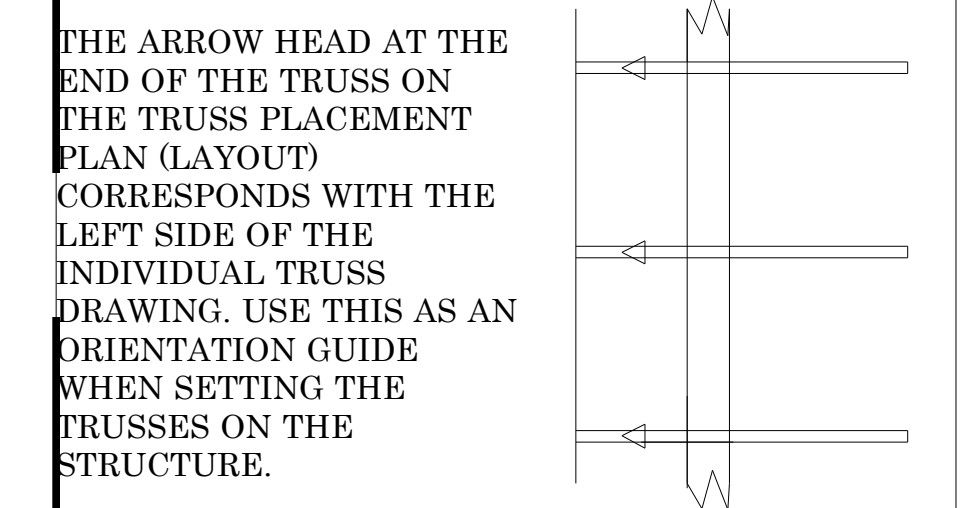
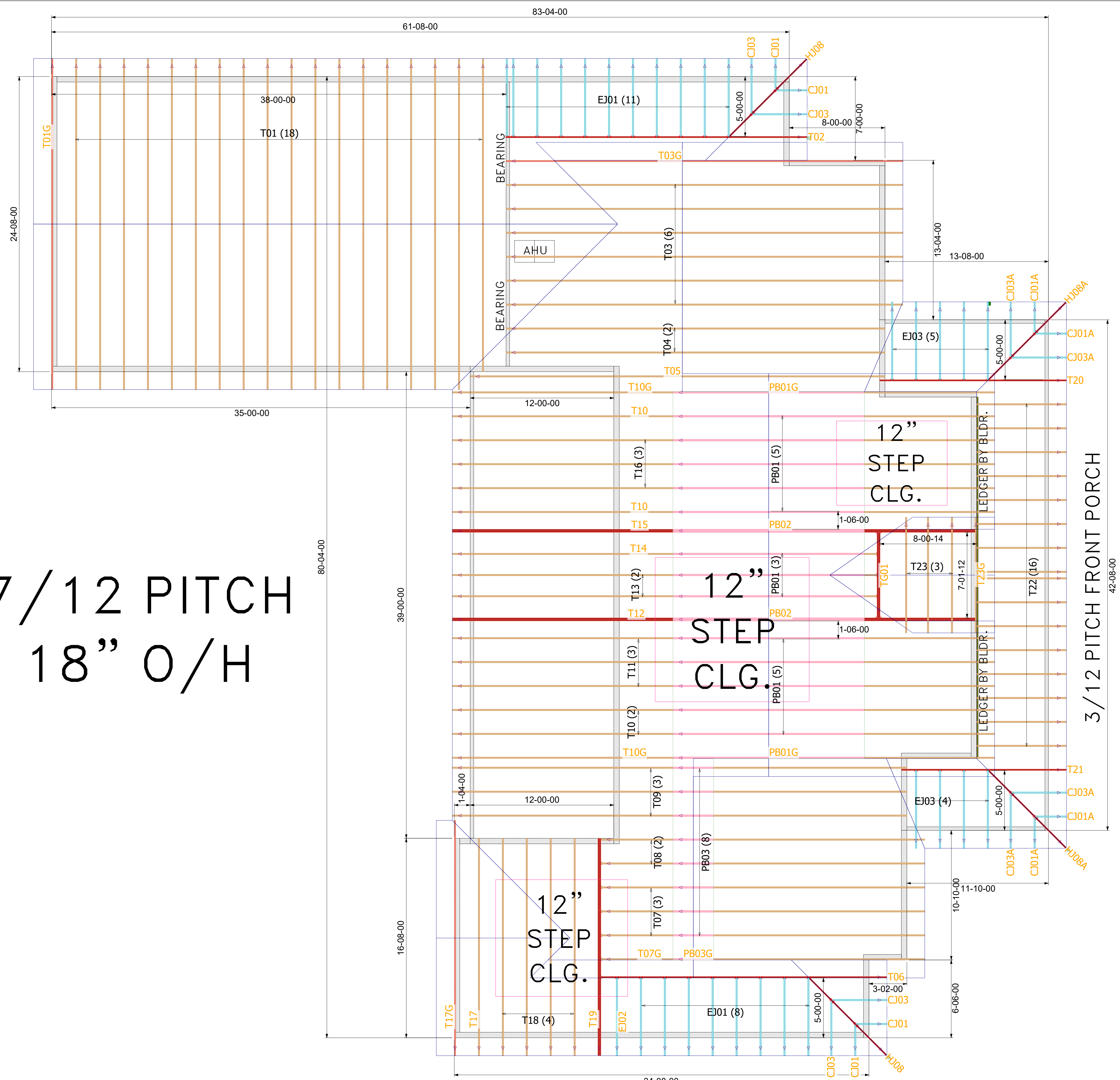


7/12 PITCH
18" O/H



- General Notes:
- Per ANSI/TPI 1-2002 all "Truss to Wall" connections are the responsibility of the Building Designer, not the Truss Manufacturer.
 - Use Manufacturer's specifications for all hanger connections unless noted otherwise.
 - Trusses are to be 24" o.c. U.N.O.
 - All hangers are to be Simpson or equivalent U.N.O. Use 10d x 1 1/2" Nails in hanger connections to single ply girder trusses.
 - Trusses are not designed to support brick U.N.O.
 - Dimensions are Feet-Inches-Sixteenths

Notes:

No back charges will be accepted by Builders FirstSource unless approved in writing first. 850-835-4541

ACQ lumber is corrosive to truss plates. Any ACQ lumber that comes in contact with truss plates (i.e. scabbed on tails) must have an approved barrier applied first.

Refer to BCSI-B1 Summary Sheet-Guide for handling, Installing and Bracing of Metal Plate Connected Wood Truss prior to and during truss installation.

It is the responsibility of the Contractor to ensure of the proper orientation of the truss placement plans as to the construction documents and field conditions of the structure orientation. If a reversed or flipped layout is required, it will be supplied at no extra cost by Builders FirstSource.

It is the responsibility of the Contractor to make sure the placement of trusses are adjusted for plumbing drops, can lights, ect... so the trusses do not interfere with these type of items.

All common framed roof or floor systems must be designed as to NOT impose any loads on the floor trusses below. The floor trusses have not been designed to carry any additional loads from above.

This truss placement plan was not created by an engineer, but rather by the Builders FirstSource staff and is solely to be used as an installation guide and does not require a seal. Complete truss engineering and analysis can be found on the truss design drawings which may be sealed by the truss design engineer.

Gable end trusses require continuous bottom chord bearing. Refer to local codes for wall framing requirements.

Although all attempts have been made to do so, trusses may not be designed symmetrically. Please refer to the individual truss drawings and truss placement plans for proper orientation and placement.



Lake City
PHONE: 386-755-6894
FAX: 386-755-7973

Jacksonville
PHONE: 904-772-6100
FAX: 904-772-1973

Tallahassee
PHONE: 850-576-5177

Builder: AMIRA BLDRS.		
Legal Address: Hicks Res.		
Model: Custom		
Date: 7-26-21	Drawn By: KLH	Original Ref #: 2868120
Floor 1 Job#: N/A	Floor 2 Job#: N/A	Roof Job #: 2868120



Lumber design values are in accordance with ANSI/TPI 1 section 6.3
 These truss designs rely on lumber values established by others.

RE: 2868120 - AMIRA BLDRS. - HICKS RES.

MiTek USA, Inc.
 6904 Parke East Blvd.
 Tampa, FL 33610-4115

Site Information:

Customer Info: Amira Bldrs. Project Name: Hicks Res. Model: Custom
 Lot/Block: N/A Subdivision: N/A
 Address: TBD SW Marynik Drive, N/A
 City: Alachua Cty State: FL

Name Address and License # of Structural Engineer of Record, If there is one, for the building.

Name: License #:
 Address: City: State:

General Truss Engineering Criteria & Design Loads (Individual Truss Design Drawings Show Special Loading Conditions):

Design Code: FBC2020/TPI2014 Design Program: MiTek 20/20 8.4
 Wind Code: ASCE 7-16 Wind Speed: 130 mph
 Roof Load: 37.0 psf Floor Load: N/A psf

This package includes 44 individual, Truss Design Drawings and 0 Additional Drawings.
 With my seal affixed to this sheet, I hereby certify that I am the Truss Design Engineer and this index sheet conforms to 61G15-31.003, section 5 of the Florida Board of Professional Engineers Rules.

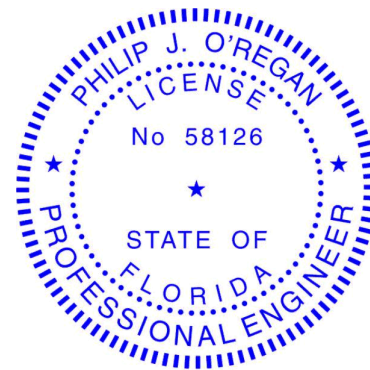
No.	Seal#	Truss Name	Date	No.	Seal#	Truss Name	Date
1	T24891389	CJ01	8/3/21	15	T24891403	T01	8/3/21
2	T24891390	CJ01A	8/3/21	16	T24891404	T01G	8/3/21
3	T24891391	CJ03	8/3/21	17	T24891405	T02	8/3/21
4	T24891392	CJ03A	8/3/21	18	T24891406	T03	8/3/21
5	T24891393	EJ01	8/3/21	19	T24891407	T03G	8/3/21
6	T24891394	EJ02	8/3/21	20	T24891408	T04	8/3/21
7	T24891395	EJ03	8/3/21	21	T24891409	T05	8/3/21
8	T24891396	HJ08	8/3/21	22	T24891410	T06	8/3/21
9	T24891397	HJ08A	8/3/21	23	T24891411	T07	8/3/21
10	T24891398	PB01	8/3/21	24	T24891412	T07G	8/3/21
11	T24891399	PB01G	8/3/21	25	T24891413	T08	8/3/21
12	T24891400	PB02	8/3/21	26	T24891414	T09	8/3/21
13	T24891401	PB03	8/3/21	27	T24891415	T10	8/3/21
14	T24891402	PB03G	8/3/21	28	T24891416	T10G	8/3/21



This item has been electronically signed and sealed by ORegan, Philip, PE using a Digital Signature.
 Printed copies of this document are not considered signed and sealed and the signature must be verified on any electronic copies

The truss drawing(s) referenced above have been prepared by
 MiTek USA, Inc. under my direct supervision based on the parameters
 provided by Builders FirstSource-Lake City, FL.

Truss Design Engineer's Name: ORegan, Philip
 My license renewal date for the state of Florida is February 28, 2023.



Philip J. O'Regan PE No.58126
 MiTek USA, Inc. FL Cert 6634
 6904 Parke East Blvd. Tampa FL 33610
 Date:

IMPORTANT NOTE: The seal on these truss component designs is a certification that the engineer named is licensed in the jurisdiction(s) identified and that the designs comply with ANSI/TPI 1. These designs are based upon parameters shown (e.g., loads, supports, dimensions, shapes and design codes), which were given to MiTek or TRENCO. Any project specific information included is for MiTek's or TRENCO's customers file reference purpose only, and was not taken into account in the preparation of these designs. MiTek or TRENCO has not independently verified the applicability of the design parameters or the designs for any particular building. Before use, the building designer should verify applicability of design parameters and properly incorporate these designs into the overall building design per ANSI/TPI 1, Chapter 2.

August 3,2021



RE: 2868120 - AMIRA BLDRS. - HICKS RES.

MiTek USA, Inc.
6904 Parke East Blvd.
Tampa, FL 33610-4115

Site Information:

Customer Info: Amira Bldrs. Project Name: Hicks Res. Model: Custom
Lot/Block: N/A Subdivision: N/A
Address: TBD SW Marynik Drive, N/A
City: Alachua Cty State: FL

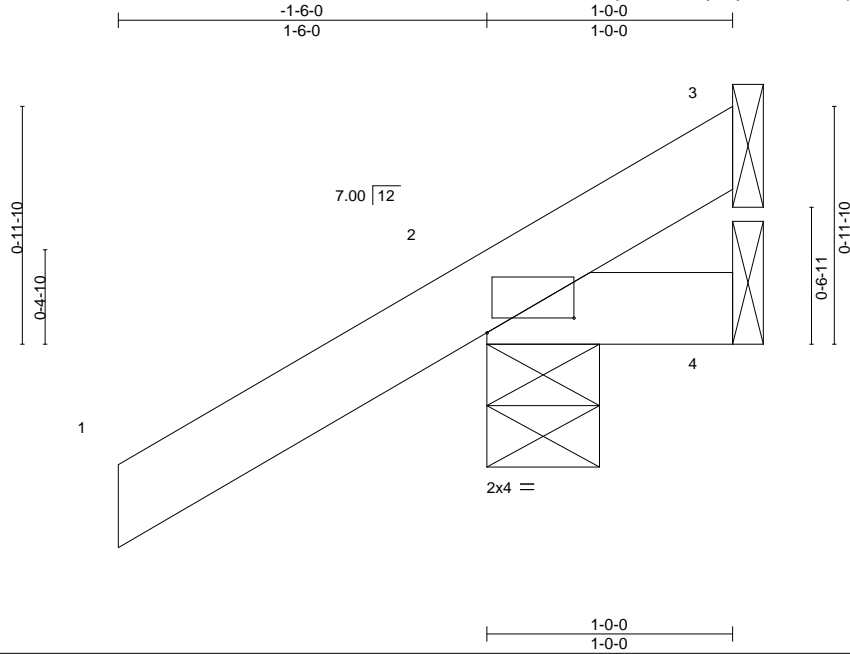
No.	Seal#	Truss Name	Date
29	T24891417	T11	8/3/21
30	T24891418	T12	8/3/21
31	T24891419	T13	8/3/21
32	T24891420	T14	8/3/21
33	T24891421	T15	8/3/21
34	T24891422	T16	8/3/21
35	T24891423	T17	8/3/21
36	T24891424	T17G	8/3/21
37	T24891425	T18	8/3/21
38	T24891426	T19	8/3/21
39	T24891427	T20	8/3/21
40	T24891428	T21	8/3/21
41	T24891429	T22	8/3/21
42	T24891430	T23	8/3/21
43	T24891431	T23G	8/3/21
44	T24891432	TG01	8/3/21

Job 2868120	Truss CJ01	Truss Type Jack-Open	Qty 4	Ply 1	AMIRA BLDRS. - HICKS RES. Job Reference (optional)	T24891389
----------------	---------------	-------------------------	----------	----------	---	-----------

Builders FirstSource (Lake City,FL),

Lake City, FL - 32055,

8.430 s Jun 2 2021 MiTek Industries, Inc. Mon Aug 2 15:32:57 2021 Page 1
ID:OGVM30uikhC8Ej8DWD31_JyuDyN-D24_8Xc9qz1ucspoTpitVXh6VqYQtE0GRleAMyrrU4



Scale = 1:9.4

Plate Offsets (X,Y)-- [2:0-4-4,0-0-11]

LOADING (psf)	SPACING-	2-0-0	CSI.	DEFL.	in (loc)	l/defl	L/d	PLATES	GRIP	
TCLL 20.0	Plate Grip DOL	1.25	TC 0.16	Vert(LL)	0.00	7	>999	240	MT20	244/190
TCDL 7.0	Lumber DOL	1.25	BC 0.04	Vert(CT)	0.00	7	>999	180		
BCLL 0.0 *	Rep Stress Incr	YES	WB 0.00	Horz(CT)	0.00	2	n/a	n/a		
BCDL 10.0	Code	FBC2020/TPI2014	Matrix-MP						Weight: 6 lb	FT = 20%

LUMBER-
TOP CHORD 2x4 SP No.2
BOT CHORD 2x4 SP No.2

BRACING-
TOP CHORD Structural wood sheathing directly applied or 1-0-0 oc purlins.
BOT CHORD Rigid ceiling directly applied or 10-0-0 oc bracing.

REACTIONS. (size) 3=Mechanical, 2=0-5-8, 4=Mechanical
Max Horz 2=47(LC 12)
Max Uplift 3=-6(LC 1), 2=-71(LC 12), 4=-19(LC 1)
Max Grav 3=7(LC 16), 2=179(LC 1), 4=20(LC 16)

FORCES. (lb) - Max. Comp./Max. Ten. - All forces 250 (lb) or less except when shown.

- NOTES-**
- 1) Wind: ASCE 7-16; Vult=130mph (3-second gust) Vasd=101mph; TCDL=4.2psf; BCDL=3.0psf; h=22ft; Cat. II; Exp B; Encl., GCpi=0.18; MWFRS (envelope) gable end zone and C-C Exterior(2E) zone;C-C for members and forces & MWFRS for reactions shown; Lumber DOL=1.60 plate grip DOL=1.60
 - 2) Building Designer / Project engineer responsible for verifying applied roof live load shown covers rain loading requirements specific to the use of this truss component.
 - 3) This truss has been designed for a 10.0 psf bottom chord live load nonconcurrent with any other live loads.
 - 4) * This truss has been designed for a live load of 20.0psf on the bottom chord in all areas where a rectangle 3-6-0 tall by 2-0-0 wide will fit between the bottom chord and any other members.
 - 5) Refer to girder(s) for truss to truss connections.
 - 6) Provide mechanical connection (by others) of truss to bearing plate capable of withstanding 100 lb uplift at joint(s) 3, 2, 4.

This item has been electronically signed and sealed by O'Regan, Philip, PE using a Digital Signature. Printed copies of this document are not considered signed and sealed and the signature must be verified on any electronic copies.

Philip J. O'Regan PE No.58126
MiTek USA, Inc. FL Cert 6634
6904 Parke East Blvd. Tampa FL 33610
Date:

August 3,2021

WARNING - Verify design parameters and READ NOTES ON THIS AND INCLUDED MITEK REFERENCE PAGE MII-7473 rev. 5/19/2020 BEFORE USE.

Design valid for use only with MiTek® connectors. This design is based only upon parameters shown, and is for an individual building component, not a truss system. Before use, the building designer must verify the applicability of design parameters and properly incorporate this design into the overall building design. Bracing indicated is to prevent buckling of individual truss web and/or chord members only. Additional temporary and permanent bracing is always required for stability and to prevent collapse with possible personal injury and property damage. For general guidance regarding the fabrication, storage, delivery, erection and bracing of trusses and truss systems, see

ANSI/TPI1 Quality Criteria, DSB-89 and BCSI Building Component

Safety Information available from Truss Plate Institute, 2670 Crain Highway, Suite 203 Waldorf, MD 20601



6904 Parke East Blvd.
Tampa, FL 33610

Job 2868120	Truss CJ01A	Truss Type JACK-OPEN	Qty 4	Ply 1	AMIRA BLDRS. - HICKS RES. Job Reference (optional)	T24891390
----------------	----------------	-------------------------	----------	----------	---	-----------

Builders FirstSource (Lake City,FL), Lake City, FL - 32055,

8.430 s Jun 2 2021 MiTek Industries, Inc. Mon Aug 2 15:32:57 2021 Page 1
ID:OGVM30uikhC8Ej8DWD31_JyuDyN-D24_8Xc9qz1ucspoTpltVXh75qjtQtE0GRleAMyrrU4



Scale = 1:5.9

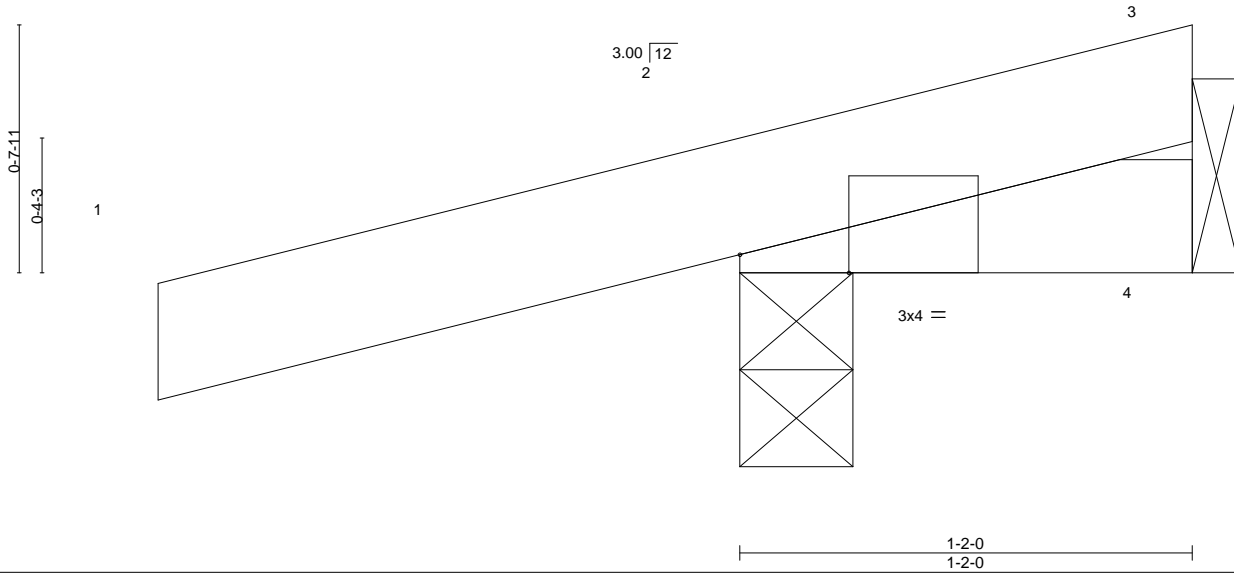


Plate Offsets (X,Y)-- [2:0-3-6,Edge]

LOADING (psf)	SPACING-	2-0-0	CSI.	DEFL.	in	(loc)	l/defl	L/d	PLATES	GRIP
TCLL 20.0	Plate Grip DOL	1.25	TC 0.12	Vert(LL)	0.00	5	>999	240	MT20	244/190
TCDL 7.0	Lumber DOL	1.25	BC 0.02	Vert(CT)	-0.00	5	>999	180		
BCLL 0.0 *	Rep Stress Incr	YES	WB 0.00	Horz(CT)	-0.00	2	n/a	n/a		
BCDL 10.0	Code	FBC2020/TPI2014	Matrix-MP						Weight: 6 lb	FT = 20%

LUMBER-
TOP CHORD 2x4 SP No.2
BOT CHORD 2x4 SP No.2

BRACING-
TOP CHORD Structural wood sheathing directly applied or 1-2-0 oc purlins.
BOT CHORD Rigid ceiling directly applied or 10-0-0 oc bracing.

REACTIONS. (size) 2=0-3-8, 4=Mechanical
Max Horz 2=28(LC 8)
Max Uplift 2=-118(LC 8), 4=-16(LC 1)
Max Grav 2=176(LC 1), 4=20(LC 16)

FORCES. (lb) - Max. Comp./Max. Ten. - All forces 250 (lb) or less except when shown.

- NOTES-**
- 1) Wind: ASCE 7-16; Vult=130mph (3-second gust) Vasd=101mph; TCDL=4.2psf; BCDL=3.0psf; h=22ft; Cat. II; Exp B; Encl., GCpi=0.18; MWFRS (envelope) gable end zone and C-C Exterior(2E) zone; porch left and right exposed;C-C for members and forces & MWFRS for reactions shown; Lumber DOL=1.60 plate grip DOL=1.60
 - 2) Building Designer / Project engineer responsible for verifying applied roof live load shown covers rain loading requirements specific to the use of this truss component.
 - 3) This truss has been designed for a 10.0 psf bottom chord live load nonconcurrent with any other live loads.
 - 4) * This truss has been designed for a live load of 20.0psf on the bottom chord in all areas where a rectangle 3-6-0 tall by 2-0-0 wide will fit between the bottom chord and any other members.
 - 5) Refer to girder(s) for truss to truss connections.
 - 6) Provide mechanical connection (by others) of truss to bearing plate capable of withstanding 100 lb uplift at joint(s) 4 except (jt=lb) 2=118.

This item has been electronically signed and sealed by ORegan, Philip, PE using a Digital Signature. Printed copies of this document are not considered signed and sealed and the signature must be verified on any electronic copies.

Philip J. O'Regan PE No.58126
MiTek USA, Inc. FL Cert 6634
6904 Parke East Blvd. Tampa FL 33610
Date:

August 3,2021

WARNING - Verify design parameters and READ NOTES ON THIS AND INCLUDED MITEK REFERENCE PAGE MII-7473 rev. 5/19/2020 BEFORE USE.

Design valid for use only with MiTek® connectors. This design is based only upon parameters shown, and is for an individual building component, not a truss system. Before use, the building designer must verify the applicability of design parameters and properly incorporate this design into the overall building design. Bracing indicated is to prevent buckling of individual truss web and/or chord members only. Additional temporary and permanent bracing is always required for stability and to prevent collapse with possible personal injury and property damage. For general guidance regarding the fabrication, storage, delivery, erection and bracing of trusses and truss systems, see

ANSI/TPI1 Quality Criteria, DSB-89 and BCSI Building Component

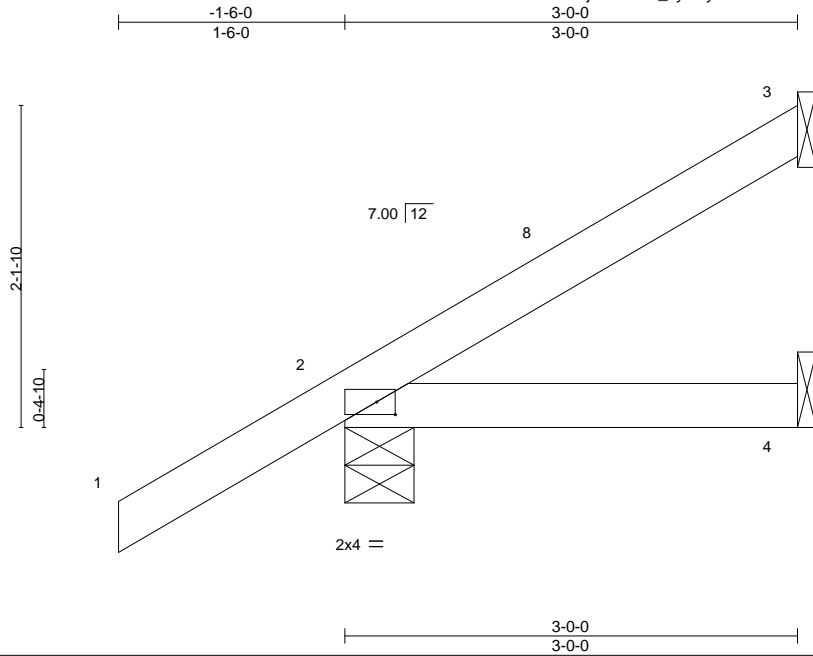
Safety Information available from Truss Plate Institute, 2670 Crain Highway, Suite 203 Waldorf, MD 20601



6904 Parke East Blvd.
Tampa, FL 33610

Job 2868120	Truss CJ03	Truss Type Jack-Open	Qty 4	Ply 1	AMIRA BLDRS. - HICKS RES. Job Reference (optional)	T24891391
----------------	---------------	-------------------------	----------	----------	---	-----------

Builders FirstSource (Lake City,FL), Lake City, FL - 32055, 8.430 s Jun 2 2021 MiTek Industries, Inc. Mon Aug 2 15:32:58 2021 Page 1
 ID:OGVM30uikhC8Ej8DWD31_JyuDyN-hEeNLtdnbG9ID0O?0WVG62kEHWE2G9KU9V5UBioyrrU3



Scale = 1:15.3

Plate Offsets (X,Y)-- [2:0-1-8,0-1-0]

LOADING (psf)	SPACING-	2-0-0	CSI.	DEFL.	in	(loc)	l/defl	L/d	PLATES	GRIP
TCLL 20.0	Plate Grip DOL	1.25	TC 0.14	Vert(LL)	-0.00	4-7	>999	240	MT20	244/190
TCDL 7.0	Lumber DOL	1.25	BC 0.07	Vert(CT)	-0.01	4-7	>999	180		
BCLL 0.0 *	Rep Stress Incr	YES	WB 0.00	Horz(CT)	0.00	3	n/a	n/a		
BCDL 10.0	Code	FBC2020/TPI2014	Matrix-MP						Weight: 12 lb	FT = 20%

LUMBER-
 TOP CHORD 2x4 SP No.2
 BOT CHORD 2x4 SP No.2

BRACING-
 TOP CHORD Structural wood sheathing directly applied or 3-0-0 oc purlins.
 BOT CHORD Rigid ceiling directly applied or 10-0-0 oc bracing.

REACTIONS. (size) 3=Mechanical, 2=0-5-8, 4=Mechanical
 Max Horz 2=87(LC 12)
 Max Uplift 3=-41(LC 12), 2=-56(LC 12)
 Max Grav 3=64(LC 19), 2=210(LC 1), 4=50(LC 3)

FORCES. (lb) - Max. Comp./Max. Ten. - All forces 250 (lb) or less except when shown.

- NOTES-**
- 1) Wind: ASCE 7-16; Vult=130mph (3-second gust) Vasd=101mph; TCDL=4.2psf; BCDL=3.0psf; h=22ft; Cat. II; Exp B; Encl., GCpi=0.18; MWFRS (envelope) gable end zone and C-C Exterior(2E) -1-6-0 to 1-6-0, Interior(1) 1-6-0 to 2-11-4 zone;C-C for members and forces & MWFRS for reactions shown; Lumber DOL=1.60 plate grip DOL=1.60
 - 2) Building Designer / Project engineer responsible for verifying applied roof live load shown covers rain loading requirements specific to the use of this truss component.
 - 3) This truss has been designed for a 10.0 psf bottom chord live load nonconcurrent with any other live loads.
 - 4) * This truss has been designed for a live load of 20.0psf on the bottom chord in all areas where a rectangle 3-6-0 tall by 2-0-0 wide will fit between the bottom chord and any other members.
 - 5) Refer to girder(s) for truss to truss connections.
 - 6) Provide mechanical connection (by others) of truss to bearing plate capable of withstanding 100 lb uplift at joint(s) 3, 2.

This item has been electronically signed and sealed by O'Regan, Philip, PE using a Digital Signature. Printed copies of this document are not considered signed and sealed and the signature must be verified on any electronic copies.

Philip J. O'Regan PE No.58126
 MiTek USA, Inc. FL Cert 6634
 6904 Parke East Blvd. Tampa FL 33610
 Date:

August 3,2021

WARNING - Verify design parameters and READ NOTES ON THIS AND INCLUDED MITEK REFERENCE PAGE MII-7473 rev. 5/19/2020 BEFORE USE.

Design valid for use only with MiTek® connectors. This design is based only upon parameters shown, and is for an individual building component, not a truss system. Before use, the building designer must verify the applicability of design parameters and properly incorporate this design into the overall building design. Bracing indicated is to prevent buckling of individual truss web and/or chord members only. Additional temporary and permanent bracing is always required for stability and to prevent collapse with possible personal injury and property damage. For general guidance regarding the fabrication, storage, delivery, erection and bracing of trusses and truss systems, see

ANSI/TPI1 Quality Criteria, DSB-89 and BCSI Building Component

Safety Information available from Truss Plate Institute, 2670 Crain Highway, Suite 203 Waldorf, MD 20601



6904 Parke East Blvd.
 Tampa, FL 36610

Job 2868120	Truss CJ03A	Truss Type Jack-Open	Qty 4	Ply 1	AMIRA BLDRS. - HICKS RES. Job Reference (optional)	T24891392
----------------	----------------	-------------------------	----------	----------	---	-----------

Builders FirstSource (Lake City,FL), Lake City, FL - 32055,

8.430 s Jun 2 2021 MiTek Industries, Inc. Mon Aug 2 15:32:59 2021 Page 1
ID:OGVM30uikhC8Ej8DWD31_JyuDyN-9RCiYDdPMaHcr9zBaEnLaynTaeO?unjKJiEIEEYrrU2



Scale = 1:8.9

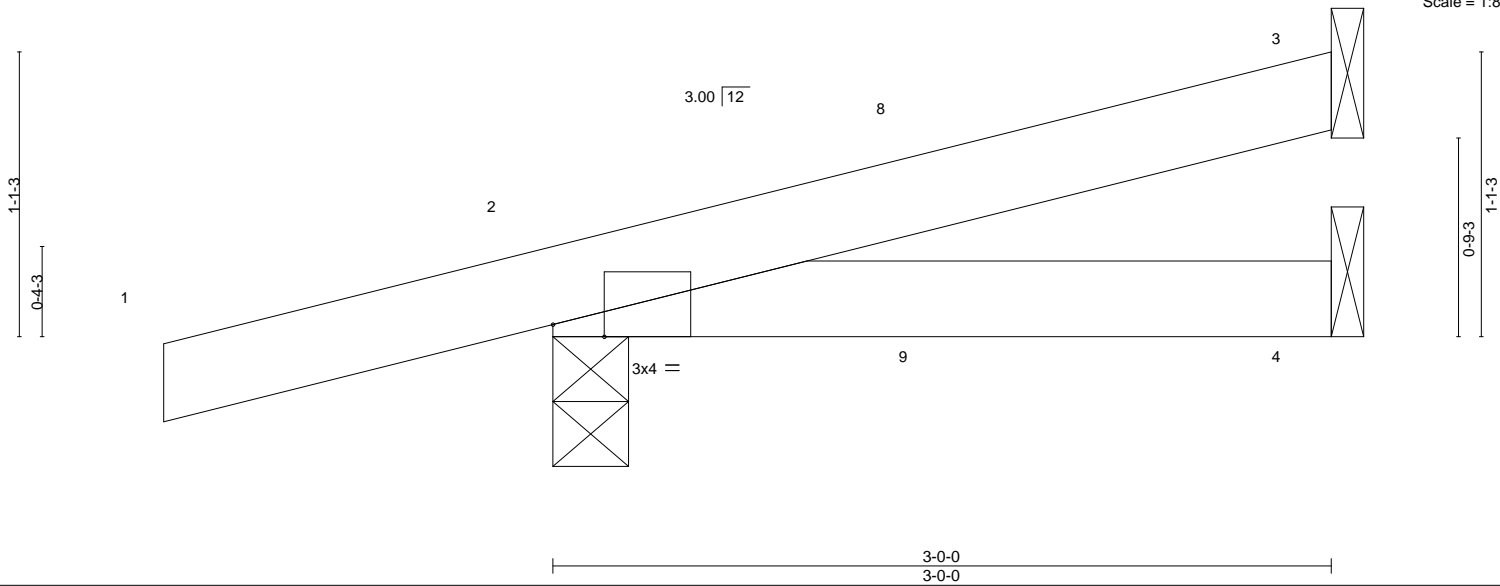


Plate Offsets (X,Y)-- [2:0-2-6,Edge]		CSi.		DEFL.		PLATES		GRIP	
LOADING (psf)	SPACING-	2-0-0		in	(loc)	l/defl	L/d		
TCLL 20.0	Plate Grip DOL	1.25	TC 0.12	Vert(LL)	0.01 4-7	>999	240	MT20	244/190
TCDL 7.0	Lumber DOL	1.25	BC 0.11	Vert(CT)	0.01 4-7	>999	180		
BCLL 0.0 *	Rep Stress Incr	YES	WB 0.00	Horz(CT)	-0.00 3	n/a	n/a		
BCDL 10.0	Code	FBC2020/TPI2014	Matrix-MP					Weight: 11 lb	FT = 20%

LUMBER-
TOP CHORD 2x4 SP No.2
BOT CHORD 2x4 SP No.2

BRACING-
TOP CHORD Structural wood sheathing directly applied or 3-0-0 oc purlins.
BOT CHORD Rigid ceiling directly applied or 10-0-0 oc bracing.

REACTIONS. (size) 3=Mechanical, 2=0-3-8, 4=Mechanical
Max Horz 2=44(LC 8)
Max Uplift 3=-29(LC 8), 2=-126(LC 8), 4=-16(LC 9)
Max Grav 3=57(LC 1), 2=210(LC 1), 4=47(LC 3)

FORCES. (lb) - Max. Comp./Max. Ten. - All forces 250 (lb) or less except when shown.

- NOTES-**
- 1) Wind: ASCE 7-16; Vult=130mph (3-second gust) Vasd=101mph; TCDL=4.2psf; BCDL=3.0psf; h=22ft; Cat. II; Exp B; Encl., GCpi=0.18; MWFRS (envelope) gable end zone and C-C Exterior(2E) -1-6-0 to 1-6-0, Interior(1) 1-6-0 to 2-11-4 zone; porch left and right exposed; C-C for members and forces & MWFRS for reactions shown; Lumber DOL=1.60 plate grip DOL=1.60
 - 2) Building Designer / Project engineer responsible for verifying applied roof live load shown covers rain loading requirements specific to the use of this truss component.
 - 3) This truss has been designed for a 10.0 psf bottom chord live load nonconcurrent with any other live loads.
 - 4) * This truss has been designed for a live load of 20.0psf on the bottom chord in all areas where a rectangle 3-6-0 tall by 2-0-0 wide will fit between the bottom chord and any other members.
 - 5) Refer to girder(s) for truss to truss connections.
 - 6) Provide mechanical connection (by others) of truss to bearing plate capable of withstanding 100 lb uplift at joint(s) 3, 4 except (jt=lb) 2=126.

This item has been electronically signed and sealed by O'Regan, Philip, PE using a Digital Signature. Printed copies of this document are not considered signed and sealed and the signature must be verified on any electronic copies.

Philip J. O'Regan PE No.58126
MiTek USA, Inc. FL Cert 6634
6904 Parke East Blvd. Tampa FL 33610
Date:

August 3,2021

WARNING - Verify design parameters and READ NOTES ON THIS AND INCLUDED MITEK REFERENCE PAGE MII-7473 rev. 5/19/2020 BEFORE USE.

Design valid for use only with MiTek® connectors. This design is based only upon parameters shown, and is for an individual building component, not a truss system. Before use, the building designer must verify the applicability of design parameters and properly incorporate this design into the overall building design. Bracing indicated is to prevent buckling of individual truss web and/or chord members only. Additional temporary and permanent bracing is always required for stability and to prevent collapse with possible personal injury and property damage. For general guidance regarding the fabrication, storage, delivery, erection and bracing of trusses and truss systems, see

ANSI/TPI1 Quality Criteria, DSB-89 and BCSI Building Component

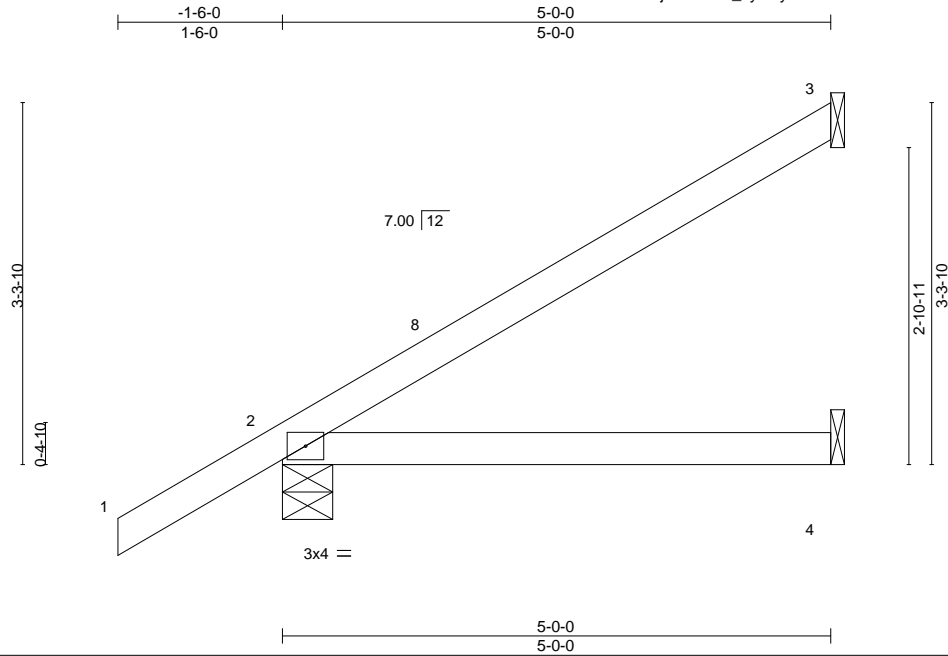
Safety Information available from Truss Plate Institute, 2670 Crain Highway, Suite 203 Waldorf, MD 20601



6904 Parke East Blvd.
Tampa, FL 33610

Job 2868120	Truss EJ01	Truss Type Jack-Open	Qty 19	Ply 1	AMIRA BLDRS. - HICKS RES. Job Reference (optional)	T24891393
----------------	---------------	-------------------------	-----------	----------	---	-----------

Builders FirstSource (Lake City,FL), Lake City, FL - 32055, 8.430 s Jun 2 2021 MiTek Industries, Inc. Mon Aug 2 15:32:59 2021 Page 1
ID:OGVM30uikhC8Ej8DWD31_JyuDyN-9RCIYDdPMaHcr9zBaEnLaynQ5eMuunjJKIEIEEYrrU2



Scale = 1:21.0

LOADING (psf)	SPACING-	2-0-0	CSI.	DEFL.	in (loc)	l/defl	L/d	PLATES	GRIP
TCLL 20.0	Plate Grip DOL	1.25	TC 0.28	Vert(LL)	0.03	4-7	>999	MT20	244/190
TCDL 7.0	Lumber DOL	1.25	BC 0.24	Vert(CT)	-0.05	4-7	>999		
BCLL 0.0 *	Rep Stress Incr	YES	WB 0.00	Horz(CT)	0.00	3	n/a		
BCDL 10.0	Code FBC2020/TPI2014		Matrix-MP						
								Weight: 19 lb	FT = 20%

LUMBER-

TOP CHORD 2x4 SP No.2
BOT CHORD 2x4 SP No.2

BRACING-

TOP CHORD Structural wood sheathing directly applied or 5-0-0 oc purlins.
BOT CHORD Rigid ceiling directly applied or 10-0-0 oc bracing.

REACTIONS.

(size) 3=Mechanical, 2=0-5-8, 4=Mechanical
Max Horz 2=128(LC 12)
Max Uplift 3=-76(LC 12), 2=-60(LC 12)
Max Grav 3=119(LC 19), 2=276(LC 1), 4=89(LC 3)

FORCES. (lb) - Max. Comp./Max. Ten. - All forces 250 (lb) or less except when shown.

NOTES-

- 1) Wind: ASCE 7-16; Vult=130mph (3-second gust) Vasd=101mph; TCDL=4.2psf; BCDL=3.0psf; h=22ft; Cat. II; Exp B; Encl., GCpi=0.18; MWFRS (envelope) gable end zone and C-C Exterior(2E) -1-6-0 to 1-6-0, Interior(1) 1-6-0 to 4-11-4 zone;C-C for members and forces & MWFRS for reactions shown; Lumber DOL=1.60 plate grip DOL=1.60
- 2) Building Designer / Project engineer responsible for verifying applied roof live load shown covers rain loading requirements specific to the use of this truss component.
- 3) This truss has been designed for a 10.0 psf bottom chord live load nonconcurrent with any other live loads.
- 4) * This truss has been designed for a live load of 20.0psf on the bottom chord in all areas where a rectangle 3-6-0 tall by 2-0-0 wide will fit between the bottom chord and any other members.
- 5) Refer to girder(s) for truss to truss connections.
- 6) Provide mechanical connection (by others) of truss to bearing plate capable of withstanding 100 lb uplift at joint(s) 3, 2.

This item has been electronically signed and sealed by ORegan, Philip, PE using a Digital Signature. Printed copies of this document are not considered signed and sealed and the signature must be verified on any electronic copies.

Philip J. O'Regan PE No.58126
MiTek USA, Inc. FL Cert 6634
6904 Parke East Blvd. Tampa FL 33610
Date:

August 3,2021

WARNING - Verify design parameters and READ NOTES ON THIS AND INCLUDED MITEK REFERENCE PAGE MII-7473 rev. 5/19/2020 BEFORE USE.

Design valid for use only with MiTek® connectors. This design is based only upon parameters shown, and is for an individual building component, not a truss system. Before use, the building designer must verify the applicability of design parameters and properly incorporate this design into the overall building design. Bracing indicated is to prevent buckling of individual truss web and/or chord members only. Additional temporary and permanent bracing is always required for stability and to prevent collapse with possible personal injury and property damage. For general guidance regarding the fabrication, storage, delivery, erection and bracing of trusses and truss systems, see

Safety Information available from Truss Plate Institute, 2670 Crain Highway, Suite 203 Waldorf, MD 20601

ANSI/TPI1 Quality Criteria, DSB-89 and BCSI Building Component



6904 Parke East Blvd.
Tampa, FL 33610

Job 2868120	Truss EJ02	Truss Type Jack-Open	Qty 1	Ply 1	AMIRA BLDRS. - HICKS RES. Job Reference (optional)	T24891394
----------------	---------------	-------------------------	----------	----------	---	-----------

Builders FirstSource (Lake City, FL), Lake City, FL - 32055, 8.430 s Jun 2 2021 MiTek Industries, Inc. Mon Aug 2 15:33:00 2021 Page 1
ID:OGVM30uikhC8Ej8DWD31_JyuDyN-ddm7mZe17uPTTJYN8xJa79Jd31f7dEzSzPzInhyrrU1

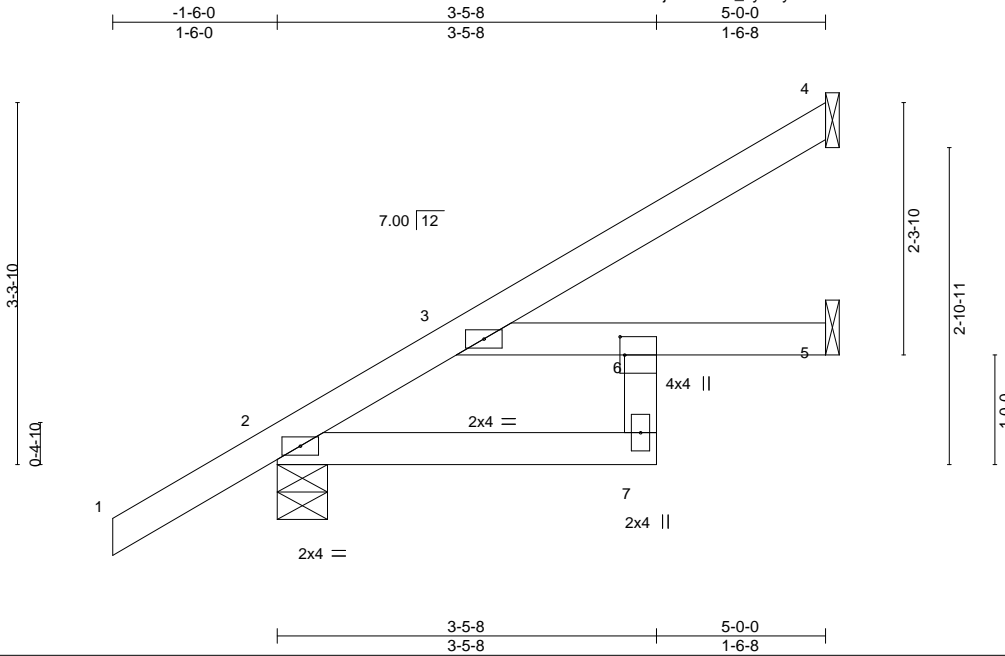


Plate Offsets (X,Y)-- [6:0-2-0,0-0-8]

LOADING (psf)	SPACING-	2-0-0	CSI.	DEFL.	in	(loc)	l/defl	L/d	PLATES	GRIP
TCLL 20.0	Plate Grip DOL	1.25	TC 0.14	Vert(LL)	-0.01	7	>999	240	MT20	244/190
TCDL 7.0	Lumber DOL	1.25	BC 0.43	Vert(CT)	-0.03	7	>999	180		
BCLL 0.0 *	Rep Stress Incr	YES	WB 0.00	Horz(CT)	0.01	5	n/a	n/a		
BCDL 10.0	Code	FBC2020/TPI2014	Matrix-MR						Weight: 23 lb	FT = 20%

LUMBER-
TOP CHORD 2x4 SP No.2
BOT CHORD 2x4 SP No.2 *Except*
6-7: 2x4 SP No.3

BRACING-
TOP CHORD Structural wood sheathing directly applied or 5-0-0 oc purlins.
BOT CHORD Rigid ceiling directly applied or 10-0-0 oc bracing.

REACTIONS. (size) 4=Mechanical, 2=0-5-8, 5=Mechanical
Max Horz 2=128(LC 12)
Max Uplift 4=-51(LC 12), 2=-55(LC 12), 5=-20(LC 12)
Max Grav 4=87(LC 19), 2=293(LC 1), 5=126(LC 3)

FORCES. (lb) - Max. Comp./Max. Ten. - All forces 250 (lb) or less except when shown.

- NOTES-**
- 1) Wind: ASCE 7-16; Vult=130mph (3-second gust) Vasd=101mph; TCCL=4.2psf; BCDL=3.0psf; h=22ft; Cat. II; Exp B; Encl., GCpi=0.18; MWFRS (envelope) gable end zone and C-C Exterior(2E) -1-6-0 to 1-7-10, Interior(1) 1-7-10 to 4-11-4 zone; C-C for members and forces & MWFRS for reactions shown; Lumber DOL=1.60 plate grip DOL=1.60
 - 2) Building Designer / Project engineer responsible for verifying applied roof live load shown covers rain loading requirements specific to the use of this truss component.
 - 3) This truss has been designed for a 10.0 psf bottom chord live load nonconcurrent with any other live loads.
 - 4) * This truss has been designed for a live load of 20.0psf on the bottom chord in all areas where a rectangle 3-6-0 tall by 2-0-0 wide will fit between the bottom chord and any other members.
 - 5) Refer to girder(s) for truss to truss connections.
 - 6) Provide mechanical connection (by others) of truss to bearing plate capable of withstanding 100 lb uplift at joint(s) 4, 2, 5.

This item has been electronically signed and sealed by O'Regan, Philip, PE using a Digital Signature. Printed copies of this document are not considered signed and sealed and the signature must be verified on any electronic copies.

Philip J. O'Regan PE No.58126
MiTek USA, Inc. FL Cert 6634
6904 Parke East Blvd. Tampa FL 33610
Date:

August 3,2021

WARNING - Verify design parameters and READ NOTES ON THIS AND INCLUDED MITEK REFERENCE PAGE MII-7473 rev. 5/19/2020 BEFORE USE.
Design valid for use only with MiTek® connectors. This design is based only upon parameters shown, and is for an individual building component, not a truss system. Before use, the building designer must verify the applicability of design parameters and properly incorporate this design into the overall building design. Bracing indicated is to prevent buckling of individual truss web and/or chord members only. Additional temporary and permanent bracing is always required for stability and to prevent collapse with possible personal injury and property damage. For general guidance regarding the fabrication, storage, delivery, erection and bracing of trusses and truss systems, see **ANSI/TPI1 Quality Criteria, DSB-89 and BCSI Building Component Safety Information** available from Truss Plate Institute, 2670 Crain Highway, Suite 203 Waldorf, MD 20601



Job 2868120	Truss EJ03	Truss Type Jack-Open	Qty 9	Ply 1	AMIRA BLDRS. - HICKS RES. Job Reference (optional)	T24891395
----------------	---------------	-------------------------	----------	----------	---	-----------

Builders FirstSource (Lake City,FL), Lake City, FL - 32055,

8.430 s Jun 2 2021 MiTek Industries, Inc. Mon Aug 2 15:33:00 2021 Page 1
ID:OGVM30uikhC8Ej8DWD31_JyuDyN-ddm7mZe17uPTTJYN8xJa79JaW1fidEzSzPzInhyrrU1

-1-6-0
1-6-0

5-0-0
5-0-0

Scale = 1:12.7

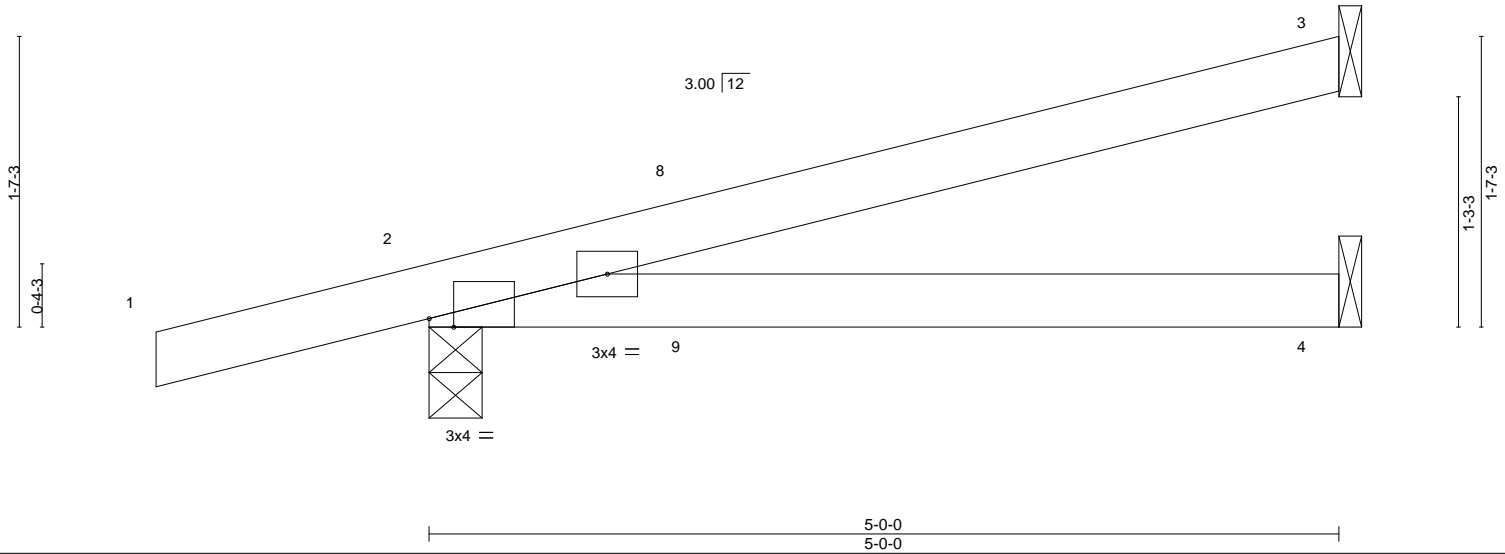


Plate Offsets (X,Y)-- [2:0-1-10,Edge]

LOADING (psf)	SPACING-	2-0-0	CSI.	DEFL.	in	(loc)	l/defl	L/d	PLATES	GRIP
TCLL 20.0	Plate Grip DOL	1.25	TC 0.37	Vert(LL)	0.09	4-7	>655	240	MT20	244/190
TCDL 7.0	Lumber DOL	1.25	BC 0.40	Vert(CT)	0.08	4-7	>744	180		
BCLL 0.0 *	Rep Stress Incr	YES	WB 0.00	Horz(CT)	-0.00	3	n/a	n/a		
BCDL 10.0	Code FBC2020/TPI2014		Matrix-MP						Weight: 18 lb	FT = 20%

LUMBER-
TOP CHORD 2x4 SP No.2
BOT CHORD 2x4 SP No.2

BRACING-
TOP CHORD Structural wood sheathing directly applied or 5-0-0 oc purlins.
BOT CHORD Rigid ceiling directly applied or 10-0-0 oc bracing.

REACTIONS. (size) 3=Mechanical, 2=0-3-8, 4=Mechanical
Max Horz 2=61(LC 8)
Max Uplift 3=-59(LC 8), 2=-155(LC 8), 4=-31(LC 8)
Max Grav 3=110(LC 1), 2=276(LC 1), 4=85(LC 3)

FORCES. (lb) - Max. Comp./Max. Ten. - All forces 250 (lb) or less except when shown.

- NOTES-**
- 1) Wind: ASCE 7-16; Vult=130mph (3-second gust) Vasd=101mph; TCDL=4.2psf; BCDL=3.0psf; h=22ft; Cat. II; Exp B; Encl., GCpi=0.18; MWFRS (envelope) gable end zone and C-C Exterior(2E) -1-6-0 to 1-6-0, Interior(1) 1-6-0 to 4-11-4 zone; porch left and right exposed;C-C for members and forces & MWFRS for reactions shown; Lumber DOL=1.60 plate grip DOL=1.60
 - 2) Building Designer / Project engineer responsible for verifying applied roof live load shown covers rain loading requirements specific to the use of this truss component.
 - 3) This truss has been designed for a 10.0 psf bottom chord live load nonconcurrent with any other live loads.
 - 4) * This truss has been designed for a live load of 20.0psf on the bottom chord in all areas where a rectangle 3-6-0 tall by 2-0-0 wide will fit between the bottom chord and any other members.
 - 5) Refer to girder(s) for truss to truss connections.
 - 6) Provide mechanical connection (by others) of truss to bearing plate capable of withstanding 100 lb uplift at joint(s) 3, 4 except (jt=lb) 2=155.

This item has been electronically signed and sealed by O'Regan, Philip, PE using a Digital Signature. Printed copies of this document are not considered signed and sealed and the signature must be verified on any electronic copies.

Philip J. O'Regan PE No.58126
MiTek USA, Inc. FL Cert 6634
6904 Parke East Blvd. Tampa FL 33610
Date:

August 3,2021

WARNING - Verify design parameters and READ NOTES ON THIS AND INCLUDED MITEK REFERENCE PAGE MII-7473 rev. 5/19/2020 BEFORE USE.

Design valid for use only with MiTek® connectors. This design is based only upon parameters shown, and is for an individual building component, not a truss system. Before use, the building designer must verify the applicability of design parameters and properly incorporate this design into the overall building design. Bracing indicated is to prevent buckling of individual truss web and/or chord members only. Additional temporary and permanent bracing is always required for stability and to prevent collapse with possible personal injury and property damage. For general guidance regarding the fabrication, storage, delivery, erection and bracing of trusses and truss systems, see

Safety Information available from Truss Plate Institute, 2670 Crain Highway, Suite 203 Waldorf, MD 20601

ANSI/TPI1 Quality Criteria, DSB-89 and BCSI Building Component



6904 Parke East Blvd.
Tampa, FL 33610

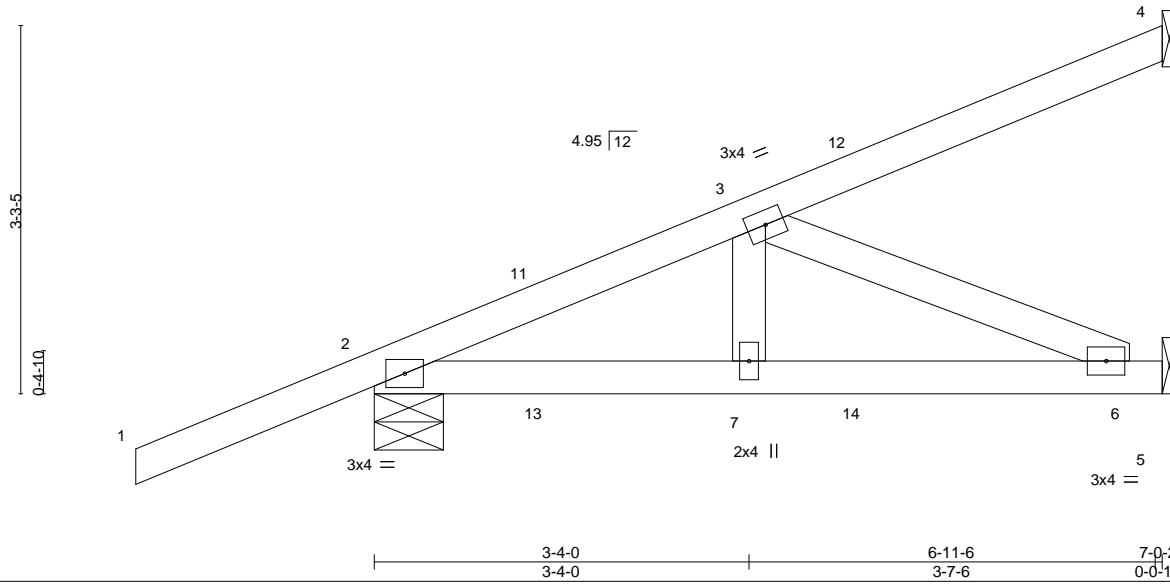
Job 2868120	Truss HJ08	Truss Type Diagonal Hip Girder	Qty 2	Ply 1	AMIRA BLDRS. - HICKS RES. Job Reference (optional)	T24891396
----------------	---------------	-----------------------------------	----------	----------	---	-----------

Builders FirstSource (Lake City, FL), Lake City, FL - 32055,

8.430 s Jun 2 2021 MiTek Industries, Inc. Mon Aug 2 15:33:02 2021 Page 1
ID:OGVM30uikhC8Ej8DWD31_JyuDyN-Z0ttBEgIfVgBidimFML3CaPx1rN157riQjSPzYrrU?



Scale = 1:20.5



LOADING (psf)	SPACING-	CSI.	DEFL.	PLATES	GRIP
TCLL 20.0	2-0-0	TC 0.30	in (loc) l/defl L/d	MT20	244/190
TCDL 7.0	Plate Grip DOL 1.25	BC 0.21	Vert(LL) 0.01 7-10 >999 240		
BCLL 0.0 *	Lumber DOL 1.25	WB 0.10	Vert(CT) -0.02 6-7 >999 180		
BCDL 10.0	Rep Stress Incr NO	Matrix-MS	Horz(CT) 0.00 5 n/a n/a		
	Code FBC2020/TPI2014			Weight: 32 lb	FT = 20%

LUMBER-
TOP CHORD 2x4 SP No.2
BOT CHORD 2x4 SP No.2
WEBS 2x4 SP No.3

BRACING-
TOP CHORD Structural wood sheathing directly applied or 6-0-0 oc purlins.
BOT CHORD Rigid ceiling directly applied or 10-0-0 oc bracing.

REACTIONS. (size) 4=Mechanical, 2=0-7-6, 5=Mechanical
Max Horz 2=128(LC 8)
Max Uplift 4=-48(LC 8), 2=-151(LC 4), 5=-51(LC 8)
Max Grav 4=90(LC 19), 2=391(LC 1), 5=166(LC 3)

FORCES. (lb) - Max. Comp./Max. Ten. - All forces 250 (lb) or less except when shown.
TOP CHORD 2-3=-384/89
BOT CHORD 2-7=-151/312, 6-7=-151/312
WEBS 3-6=-340/164

- NOTES-**
- 1) Wind: ASCE 7-16; Vult=130mph (3-second gust) Vasd=101mph; TCDL=4.2psf; BCDL=3.0psf; h=22ft; Cat. II; Exp B; Encl., GCpi=0.18; MWFRS (envelope) gable end zone; Lumber DOL=1.60 plate grip DOL=1.60
 - 2) Building Designer / Project engineer responsible for verifying applied roof live load shown covers rain loading requirements specific to the use of this truss component.
 - 3) This truss has been designed for a 10.0 psf bottom chord live load nonconcurrent with any other live loads.
 - 4) * This truss has been designed for a live load of 20.0psf on the bottom chord in all areas where a rectangle 3-6-0 tall by 2-0-0 wide will fit between the bottom chord and any other members.
 - 5) Refer to girder(s) for truss to truss connections.
 - 6) Provide mechanical connection (by others) of truss to bearing plate capable of withstanding 100 lb uplift at joint(s) 4, 5 except (jt=lb) 2=151.
 - 7) Hanger(s) or other connection device(s) shall be provided sufficient to support concentrated load(s) 62 lb down and 73 lb up at 1-6-1, 62 lb down and 73 lb up at 1-6-1, and 80 lb down and 43 lb up at 4-4-0, and 80 lb down and 43 lb up at 4-4-0 on top chord, and 20 lb down and 44 lb up at 1-6-1, 20 lb down and 44 lb up at 1-6-1, and 24 lb down at 4-4-0, and 24 lb down at 4-4-0 on bottom chord. The design/selection of such connection device(s) is the responsibility of others.
 - 8) In the LOAD CASE(S) section, loads applied to the face of the truss are noted as front (F) or back (B).

LOAD CASE(S) Standard
1) Dead + Roof Live (balanced): Lumber Increase=1.25, Plate Increase=1.25
Uniform Loads (plf)
Vert: 1-4=-54, 5-8=-20
Concentrated Loads (lb)
Vert: 14=-5(F=-3, B=-3)

This item has been electronically signed and sealed by O'Regan, Philip, PE using a Digital Signature. Printed copies of this document are not considered signed and sealed and the signature must be verified on any electronic copies.

Philip J. O'Regan PE No.58126
MiTek USA, Inc. FL Cert 6634
6904 Parke East Blvd. Tampa FL 33610
Date:

August 3,2021

WARNING - Verify design parameters and READ NOTES ON THIS AND INCLUDED MITEK REFERENCE PAGE MII-7473 rev. 5/19/2020 BEFORE USE.

Design valid for use only with MiTek® connectors. This design is based only upon parameters shown, and is for an individual building component, not a truss system. Before use, the building designer must verify the applicability of design parameters and properly incorporate this design into the overall building design. Bracing indicated is to prevent buckling of individual truss web and/or chord members only. Additional temporary and permanent bracing is always required for stability and to prevent collapse with possible personal injury and property damage. For general guidance regarding the fabrication, storage, delivery, erection and bracing of trusses and truss systems, see

ANSI/TPI1 Quality Criteria, DSB-89 and BCSI Building Component

Safety Information available from Truss Plate Institute, 2670 Crain Highway, Suite 203 Waldorf, MD 20601



6904 Parke East Blvd.
Tampa, FL 33610

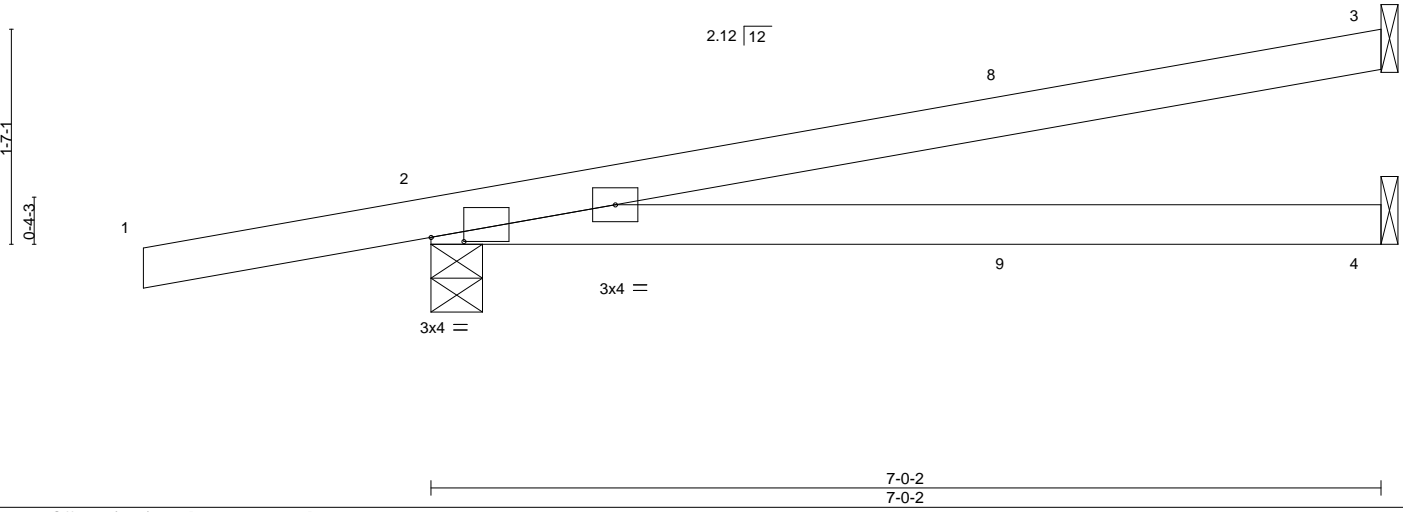
Job 2868120	Truss HJ08A	Truss Type Diagonal Hip Girder	Qty 2	Ply 1	AMIRA BLDRS. - HICKS RES. Job Reference (optional)	T24891397
----------------	----------------	-----------------------------------	----------	----------	---	-----------

Builders FirstSource (Lake City,FL), Lake City, FL - 32055,

8.430 s Jun 2 2021 MiTek Industries, Inc. Mon Aug 2 15:33:03 2021 Page 1
ID:OGVM30uikhC8Ej8DWD31_JyuDyN-1CRGOahwQpo1KnHyp3slkox0TFeZqbjufNCyN?yrrU_



Scale = 1:17.0



LOADING (psf)		SPACING-		CSI.		DEFL.				PLATES		GRIP	
TCLL	20.0	Plate Grip DOL	1.25	TC	0.64	Vert(LL)	0.14	4-7	>580	L/d	240	MT20	244/190
TCDL	7.0	Lumber DOL	1.25	BC	0.51	Vert(CT)	-0.21	4-7	>400	L/d	180		
BCLL	0.0 *	Rep Stress Incr	NO	WB	0.00	Horz(CT)	0.00	2	n/a		n/a		
BCDL	10.0	Code	FBC2020/TPI2014	Matrix-MS								Weight: 24 lb	FT = 20%

LUMBER-
TOP CHORD 2x4 SP No.2
BOT CHORD 2x4 SP No.2

BRACING-
TOP CHORD Structural wood sheathing directly applied or 6-0-0 oc purlins.
BOT CHORD Rigid ceiling directly applied or 10-0-0 oc bracing.

REACTIONS. (size) 3=Mechanical, 2=0-4-9, 4=Mechanical
Max Horz 2=61(LC 4)
Max Uplift 3=-80(LC 4), 2=-227(LC 4), 4=-46(LC 4)
Max Grav 3=157(LC 1), 2=394(LC 1), 4=121(LC 3)

FORCES. (lb) - Max. Comp./Max. Ten. - All forces 250 (lb) or less except when shown.


- NOTES-**
- 1) Wind: ASCE 7-16; Vult=130mph (3-second gust) Vasd=101mph; TCDL=4.2psf; BCDL=3.0psf; h=22ft; Cat. II; Exp B; Encl., GCpi=0.18; MWFRS (envelope) gable end zone; porch left and right exposed; Lumber DOL=1.60 plate grip DOL=1.60
 - 2) Building Designer / Project engineer responsible for verifying applied roof live load shown covers rain loading requirements specific to the use of this truss component.
 - 3) This truss has been designed for a 10.0 psf bottom chord live load nonconcurrent with any other live loads.
 - 4) * This truss has been designed for a live load of 20.0psf on the bottom chord in all areas where a rectangle 3-6-0 tall by 2-0-0 wide will fit between the bottom chord and any other members.
 - 5) Refer to girder(s) for truss to truss connections.
 - 6) Provide mechanical connection (by others) of truss to bearing plate capable of withstanding 100 lb uplift at joint(s) 3, 4 except (jt=lb) 2=227.
 - 7) Hanger(s) or other connection device(s) shall be provided sufficient to support concentrated load(s) 21 lb down and 34 lb up at 4-4-0, and 21 lb down and 34 lb up at 4-4-0 on top chord, and 45 lb down and 22 lb up at 1-6-1, 45 lb down and 22 lb up at 1-6-1, and 18 lb down and 24 lb up at 4-4-0, and 18 lb down and 24 lb up at 4-4-0 on bottom chord. The design/selection of such connection device(s) is the responsibility of others.
 - 8) In the LOAD CASE(S) section, loads applied to the face of the truss are noted as front (F) or back (B).

LOAD CASE(S) Standard
1) Dead + Roof Live (balanced): Lumber Increase=1.25, Plate Increase=1.25
Uniform Loads (plf)
Vert: 1-3=-54, 4-5=-20
Concentrated Loads (lb)
Vert: 8=-0(F=-0, B=-0) 9=-13(F=-7, B=-7)

This item has been electronically signed and sealed by O'Regan, Philip, PE using a Digital Signature. Printed copies of this document are not considered signed and sealed and the signature must be verified on any electronic copies.

Philip J. O'Regan PE No.58126
MiTek USA, Inc. FL Cert 6634
6904 Parke East Blvd. Tampa FL 33610
Date:

August 3,2021

<p>WARNING - Verify design parameters and READ NOTES ON THIS AND INCLUDED MITEK REFERENCE PAGE MII-7473 rev. 5/19/2020 BEFORE USE. Design valid for use only with MiTek® connectors. This design is based only upon parameters shown, and is for an individual building component, not a truss system. Before use, the building designer must verify the applicability of design parameters and properly incorporate this design into the overall building design. Bracing indicated is to prevent buckling of individual truss web and/or chord members only. Additional temporary and permanent bracing is always required for stability and to prevent collapse with possible personal injury and property damage. For general guidance regarding the fabrication, storage, delivery, erection and bracing of trusses and truss systems, see ANSI/TPI1 Quality Criteria, DSB-89 and BCSI Building Component Safety Information available from Truss Plate Institute, 2670 Crain Highway, Suite 203 Waldorf, MD 20601</p>	 6904 Parke East Blvd. Tampa, FL 33610
---	---

Job 2868120	Truss PB01	Truss Type GABLE	Qty 13	Ply 1	AMIRA BLDRS. - HICKS RES.	T24891398
----------------	---------------	---------------------	-----------	----------	---------------------------	-----------

Builders FirstSource (Lake City, FL), Lake City, FL - 32055,

8.430 s Jun 2 2021 MiTek Industries, Inc. Mon Aug 2 15:33:03 2021 Page 1
ID:OGVM30uiqhC8Ej8DWD31_JyuDyN-1CRGOahwQpo1KnHyp3slkox87FirbmfuNCyN?yrrU_

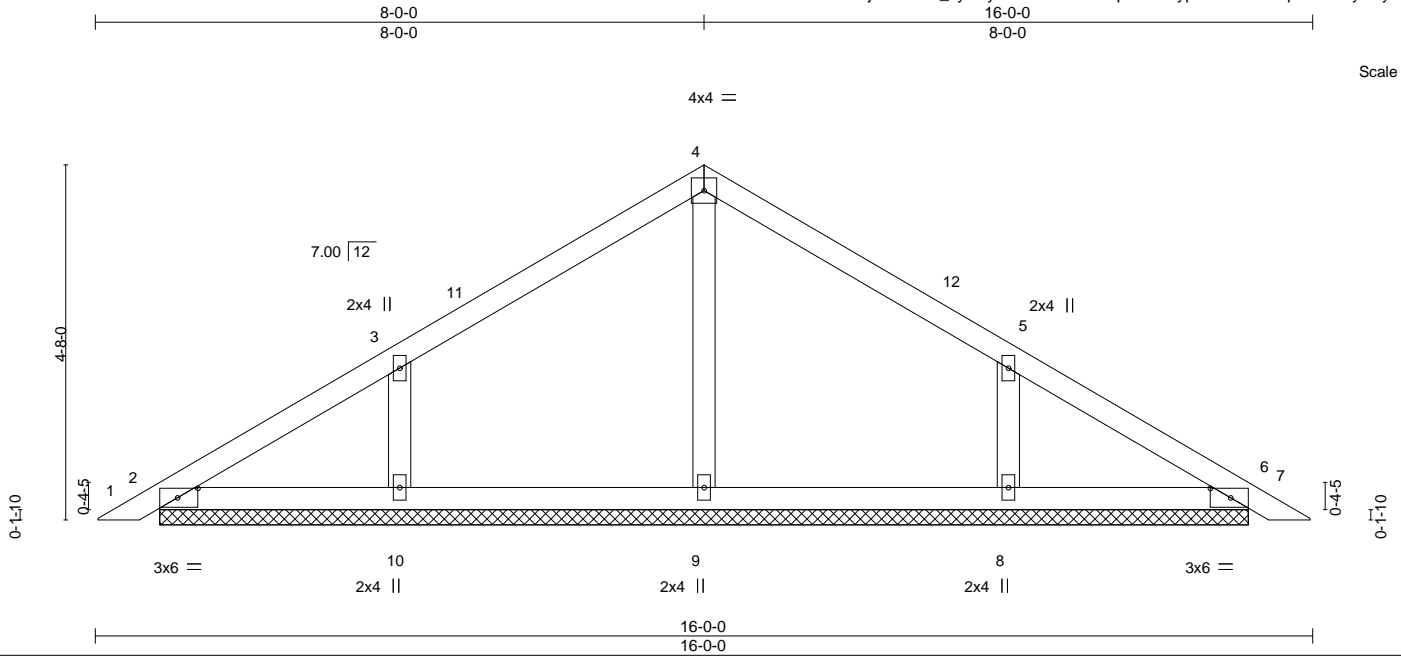


Plate Offsets (X,Y)-- [2:0-3-3,0-1-8], [6:0-3-3,0-1-8]

LOADING (psf)	SPACING-	2-0-0	CSI.	DEFL.	in (loc)	l/defl	L/d	PLATES	GRIP	
TCLL 20.0	Plate Grip DOL	1.25	TC 0.15	Vert(LL)	0.00	6	n/r	120	MT20	244/190
TCDL 7.0	Lumber DOL	1.25	BC 0.11	Vert(CT)	0.00	7	n/r	120		
BCLL 0.0 *	Rep Stress Incr	YES	WB 0.06	Horz(CT)	0.00	6	n/a	n/a		
BCDL 10.0	Code	FBC2020/TPI2014	Matrix-S						Weight: 59 lb	FT = 20%

LUMBER-
TOP CHORD 2x4 SP No.2
BOT CHORD 2x4 SP No.2
OTHERS 2x4 SP No.3

BRACING-
TOP CHORD Structural wood sheathing directly applied or 6-0-0 oc purlins.
BOT CHORD Rigid ceiling directly applied or 10-0-0 oc bracing.

REACTIONS. All bearings 14-3-11.
(lb) - Max Horz 2=-102(LC 10)
Max Uplift All uplift 100 lb or less at joint(s) 2, 6 except 8=-143(LC 13), 10=-143(LC 12)
Max Grav All reactions 250 lb or less at joint(s) 2, 6, 9 except 8=319(LC 20), 10=320(LC 19)

FORCES. (lb) - Max. Comp./Max. Ten. - All forces 250 (lb) or less except when shown.

- NOTES-**
- Unbalanced roof live loads have been considered for this design.
 - Wind: ASCE 7-16; Vult=130mph (3-second gust) Vasd=101mph; TCDL=4.2psf; BCDL=3.0psf; h=22ft; Cat. II; Exp B; Encl., GCpi=0.18; MWFRS (envelope) gable end zone and C-C Exterior(2E) 0-3-11 to 3-3-11, Interior(1) 3-3-11 to 8-0-0, Exterior(2R) 8-0-0 to 11-0-0, Interior(1) 11-0-0 to 15-8-5 zone; C-C for members and forces & MWFRS for reactions shown; Lumber DOL=1.60 plate grip DOL=1.60
 - Truss designed for wind loads in the plane of the truss only. For studs exposed to wind (normal to the face), see Standard Industry Gable End Details as applicable, or consult qualified building designer as per ANSI/TPI 1.
 - Building Designer / Project engineer responsible for verifying applied roof live load shown covers rain loading requirements specific to the use of this truss component.
 - Gable requires continuous bottom chord bearing.
 - Gable studs spaced at 4-0-0 oc.
 - This truss has been designed for a 10.0 psf bottom chord live load nonconcurrent with any other live loads.
 - * This truss has been designed for a live load of 20.0psf on the bottom chord in all areas where a rectangle 3-6-0 tall by 2-0-0 wide will fit between the bottom chord and any other members.
 - Provide mechanical connection (by others) of truss to bearing plate capable of withstanding 100 lb uplift at joint(s) 2, 6 except (it=lb) 8=143, 10=143.
 - See Standard Industry Piggyback Truss Connection Detail for Connection to base truss as applicable, or consult qualified building designer.

This item has been electronically signed and sealed by O'Regan, Philip, PE using a Digital Signature. Printed copies of this document are not considered signed and sealed and the signature must be verified on any electronic copies.

Philip J. O'Regan PE No.58126
MiTek USA, Inc. FL Cert 6634
6904 Parke East Blvd. Tampa FL 33610
Date:

August 3,2021

WARNING - Verify design parameters and READ NOTES ON THIS AND INCLUDED MITEK REFERENCE PAGE MII-7473 rev. 5/19/2020 BEFORE USE.

Design valid for use only with MiTek® connectors. This design is based only upon parameters shown, and is for an individual building component, not a truss system. Before use, the building designer must verify the applicability of design parameters and properly incorporate this design into the overall building design. Bracing indicated is to prevent buckling of individual truss web and/or chord members only. Additional temporary and permanent bracing is always required for stability and to prevent collapse with possible personal injury and property damage. For general guidance regarding the fabrication, storage, delivery, erection and bracing of trusses and truss systems, see

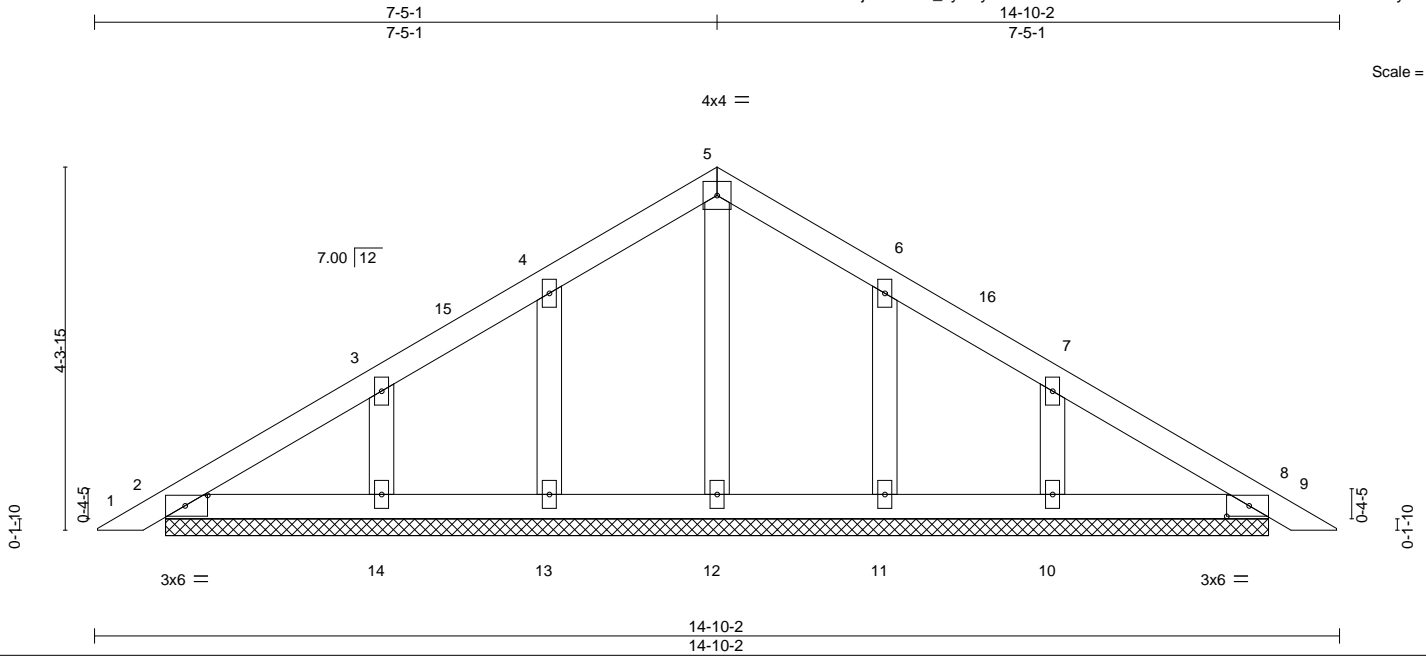
ANSI/TPI1 Quality Criteria, DSB-89 and BCSI Building Component

Safety Information available from Truss Plate Institute, 2670 Crain Highway, Suite 203 Waldorf, MD 20601



6904 Parke East Blvd.
Tampa, FL 36610

Job 2868120	Truss PB01G	Truss Type GABLE	Qty 2	Ply 1	AMIRA BLDRS. - HICKS RES.	T24891399
Builders FirstSource (Lake City,FL), Lake City, FL - 32055,					8.430 s Jun 2 2021 MiTek Industries, Inc. Mon Aug 2 15:33:04 2021 Page 1	
					ID:OGVM30uikhC8Ej8DWD31_JyuDyN-WO?ecwhYB6wuxxs8NnNXH?ULNf64Z2W2t1xWVvSyrTz	
					Job Reference (optional)	



Scale = 1:27.5

Plate Offsets (X,Y)-- [2:0-3-3,0-1-8], [8:0-3-3,0-1-8]

LOADING (psf)	SPACING-	2-0-0	CSI.	DEFL.	in	(loc)	l/defl	L/d	PLATES	GRIP
TCLL 20.0	Plate Grip DOL	1.25	TC 0.06	Vert(LL)	0.00	8	n/r	120	MT20	244/190
TCDL 7.0	Lumber DOL	1.25	BC 0.05	Vert(CT)	0.00	9	n/r	120		
BCLL 0.0 *	Rep Stress Incr	YES	WB 0.03	Horz(CT)	0.00	8	n/a	n/a		
BCDL 10.0	Code	FBC2020/TPI2014	Matrix-S						Weight: 62 lb	FT = 20%

LUMBER-
TOP CHORD 2x4 SP No.2
BOT CHORD 2x4 SP No.2
OTHERS 2x4 SP No.3

BRACING-
TOP CHORD Structural wood sheathing directly applied or 6-0-0 oc purlins.
BOT CHORD Rigid ceiling directly applied or 10-0-0 oc bracing.

REACTIONS. All bearings 13-1-13.
(lb) - Max Horz 2=94(LC 11)
Max Uplift All uplift 100 lb or less at joint(s) 2, 8, 13, 14, 11, 10
Max Grav All reactions 250 lb or less at joint(s) 2, 8, 12, 13, 14, 11, 10

FORCES. (lb) - Max. Comp./Max. Ten. - All forces 250 (lb) or less except when shown.

- NOTES-**
- Unbalanced roof live loads have been considered for this design.
 - Wind: ASCE 7-16; Vult=130mph (3-second gust) Vasd=101mph; TCDL=4.2psf; BCDL=3.0psf; h=22ft; Cat. II; Exp B; Encl., GCpi=0.18; MWFRS (envelope) gable end zone and C-C Exterior(2E) 0-3-11 to 3-5-1, Interior(1) 3-5-1 to 7-5-1, Exterior(2R) 7-5-1 to 10-5-1, Interior(1) 10-5-1 to 14-6-7 zone;C-C for members and forces & MWFRS for reactions shown; Lumber DOL=1.60 plate grip DOL=1.60
 - Truss designed for wind loads in the plane of the truss only. For studs exposed to wind (normal to the face), see Standard Industry Gable End Details as applicable, or consult qualified building designer as per ANSI/TPI 1.
 - Building Designer / Project engineer responsible for verifying applied roof live load shown covers rain loading requirements specific to the use of this truss component.
 - All plates are 2x4 MT20 unless otherwise indicated.
 - Gable requires continuous bottom chord bearing.
 - Gable studs spaced at 2-0-0 oc.
 - This truss has been designed for a 10.0 psf bottom chord live load nonconcurrent with any other live loads.
 - * This truss has been designed for a live load of 20.0psf on the bottom chord in all areas where a rectangle 3-6-0 tall by 2-0-0 wide will fit between the bottom chord and any other members.
 - Provide mechanical connection (by others) of truss to bearing plate capable of withstanding 100 lb uplift at joint(s) 2, 8, 13, 14, 11, 10.
 - See Standard Industry Piggyback Truss Connection Detail for Connection to base truss as applicable, or consult qualified building designer.

This item has been electronically signed and sealed by O'Regan, Philip, PE using a Digital Signature. Printed copies of this document are not considered signed and sealed and the signature must be verified on any electronic copies.

Philip J. O'Regan PE No.58126
MiTek USA, Inc. FL Cert 6634
6904 Parke East Blvd. Tampa FL 33610
Date:

August 3,2021

WARNING - Verify design parameters and READ NOTES ON THIS AND INCLUDED MITEK REFERENCE PAGE MII-7473 rev. 5/19/2020 BEFORE USE.

Design valid for use only with MiTek® connectors. This design is based only upon parameters shown, and is for an individual building component, not a truss system. Before use, the building designer must verify the applicability of design parameters and properly incorporate this design into the overall building design. Bracing indicated is to prevent buckling of individual truss web and/or chord members only. Additional temporary and permanent bracing is always required for stability and to prevent collapse with possible personal injury and property damage. For general guidance regarding the fabrication, storage, delivery, erection and bracing of trusses and truss systems, see

ANSI/TPI1 Quality Criteria, DSB-89 and BCSI Building Component

Safety Information available from Truss Plate Institute, 2670 Crain Highway, Suite 203 Waldorf, MD 20601

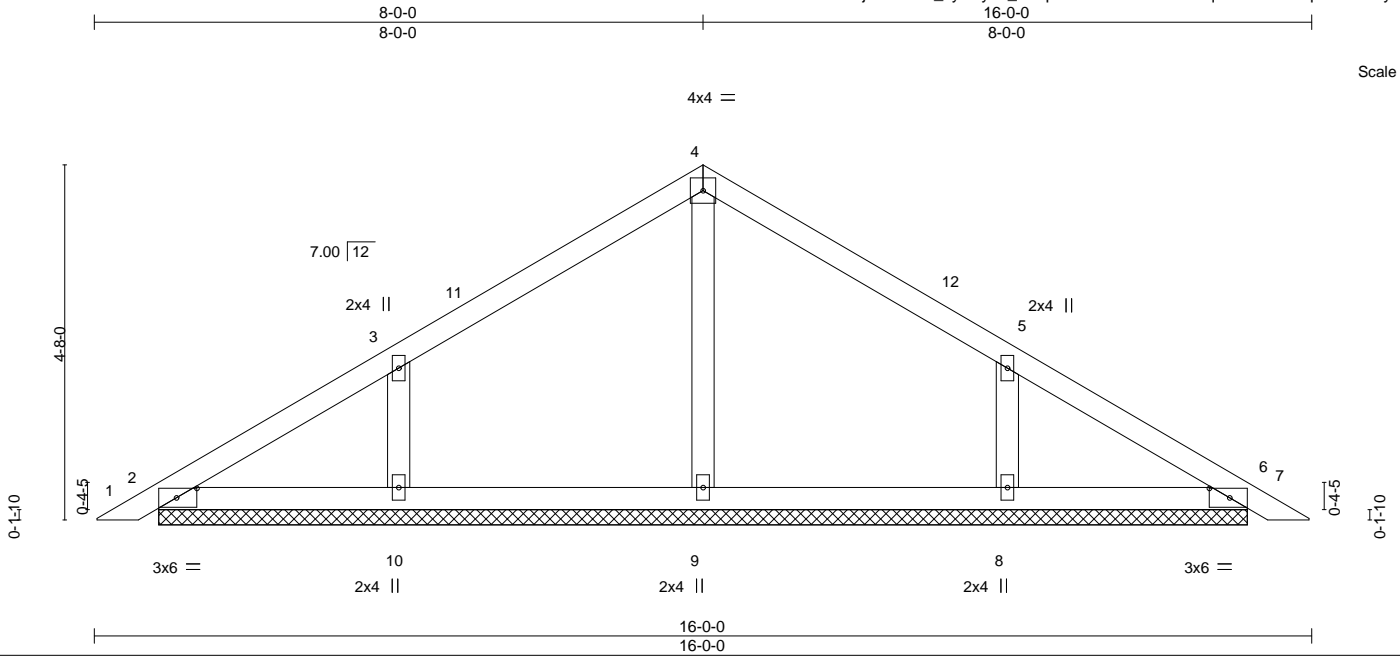


6904 Parke East Blvd.
Tampa, FL 36610

Job 2868120	Truss PB02	Truss Type GABLE	Qty 2	Ply 2	AMIRA BLDRS. - HICKS RES. Job Reference (optional)	T24891400
----------------	---------------	---------------------	----------	----------	---	-----------

Builders FirstSource (Lake City, FL), Lake City, FL - 32055,

8.430 s Jun 2 2021 MiTek Industries, Inc. Mon Aug 2 15:33:05 2021 Page 1
ID:OGVM30uikhC8Ej8DWD31_JyuDyN-_bZ0pGiAxQ2Iz4RLwUumqD0Vo2SBIvqB6hh3RuyrrTy



Scale = 1:30.3

Plate Offsets (X,Y)-- [2:0-3-3,0-1-8], [6:0-3-3,0-1-8]

LOADING (psf)	SPACING-	2-0-0	CSI.	DEFL.	in	(loc)	l/defl	L/d	PLATES	GRIP
TCLL 20.0	Plate Grip DOL	1.25	TC 0.08	Vert(LL)	0.00	6	n/r	120	MT20	244/190
TCDL 7.0	Lumber DOL	1.25	BC 0.06	Vert(CT)	0.00	6	n/r	120		
BCLL 0.0 *	Rep Stress Incr	YES	WB 0.02	Horz(CT)	0.00	6	n/a	n/a		
BCDL 10.0	Code	FBC2020/TPI2014	Matrix-S						Weight: 119 lb	FT = 20%

LUMBER-
TOP CHORD 2x4 SP No.2
BOT CHORD 2x4 SP No.2
OTHERS 2x4 SP No.3

BRACING-
TOP CHORD Structural wood sheathing directly applied or 6-0-0 oc purlins.
BOT CHORD Rigid ceiling directly applied or 10-0-0 oc bracing.

REACTIONS. All bearings 14-3-11.
(lb) - Max Horz 2=-102(LC 10)
Max Uplift All uplift 100 lb or less at joint(s) 2, 6 except 8=-143(LC 13), 10=-143(LC 12)
Max Grav All reactions 250 lb or less at joint(s) 2, 6, 9 except 8=319(LC 20), 10=320(LC 19)

FORCES. (lb) - Max. Comp./Max. Ten. - All forces 250 (lb) or less except when shown.

NOTES-

- 2-ply truss to be connected together with 10d (0.131"x3") nails as follows:
Top chords connected as follows: 2x4 - 1 row at 0-9-0 oc.
Bottom chords connected as follows: 2x4 - 1 row at 0-9-0 oc.
- All loads are considered equally applied to all plies, except if noted as front (F) or back (B) face in the LOAD CASE(S) section. Ply to ply connections have been provided to distribute only loads noted as (F) or (B), unless otherwise indicated.
- Unbalanced roof live loads have been considered for this design.
- Wind: ASCE 7-16; Vult=130mph (3-second gust) Vasd=101mph; TCDL=4.2psf; BCDL=3.0psf; h=22ft; Cat. II; Exp B; Encl., GCpi=0.18; MWFRS (envelope) gable end zone and C-C Exterior(2E) 0-3-11 to 3-3-11, Interior(1) 3-3-11 to 8-0-0, Exterior(2R) 8-0-0 to 11-0-0, Interior(1) 11-0-0 to 15-8-5 zone; C-C for members and forces & MWFRS for reactions shown; Lumber DOL=1.60 plate grip DOL=1.60
- Truss designed for wind loads in the plane of the truss only. For studs exposed to wind (normal to the face), see Standard Industry Gable End Details as applicable, or consult qualified building designer as per ANSI/TPI 1.
- Building Designer / Project engineer responsible for verifying applied roof live load shown covers rain loading requirements specific to the use of this truss component.
- Gable requires continuous bottom chord bearing.
- Gable studs spaced at 4-0-0 oc.
- This truss has been designed for a 10.0 psf bottom chord live load nonconcurrent with any other live loads.
- * This truss has been designed for a live load of 20.0psf on the bottom chord in all areas where a rectangle 3-6-0 tall by 2-0-0 wide will fit between the bottom chord and any other members.
- Provide mechanical connection (by others) of truss to bearing plate capable of withstanding 100 lb uplift at joint(s) 2, 6 except (jt=lb) 8=143, 10=143.
- See Standard Industry Piggyback Truss Connection Detail for Connection to base truss as applicable, or consult qualified building designer.

This item has been electronically signed and sealed by O'Regan, Philip, PE using a Digital Signature. Printed copies of this document are not considered signed and sealed and the signature must be verified on any electronic copies.

Philip J. O'Regan PE No.58126
MiTek USA, Inc. FL Cert 6634
6904 Parke East Blvd. Tampa FL 33610
Date:

August 3, 2021

WARNING - Verify design parameters and READ NOTES ON THIS AND INCLUDED MITEK REFERENCE PAGE MII-7473 rev. 5/19/2020 BEFORE USE.

Design valid for use only with MiTek® connectors. This design is based only upon parameters shown, and is for an individual building component, not a truss system. Before use, the building designer must verify the applicability of design parameters and properly incorporate this design into the overall building design. Bracing indicated is to prevent buckling of individual truss web and/or chord members only. Additional temporary and permanent bracing is always required for stability and to prevent collapse with possible personal injury and property damage. For general guidance regarding the fabrication, storage, delivery, erection and bracing of trusses and truss systems, see

ANSI/TPI1 Quality Criteria, DSB-89 and BCSI Building Component

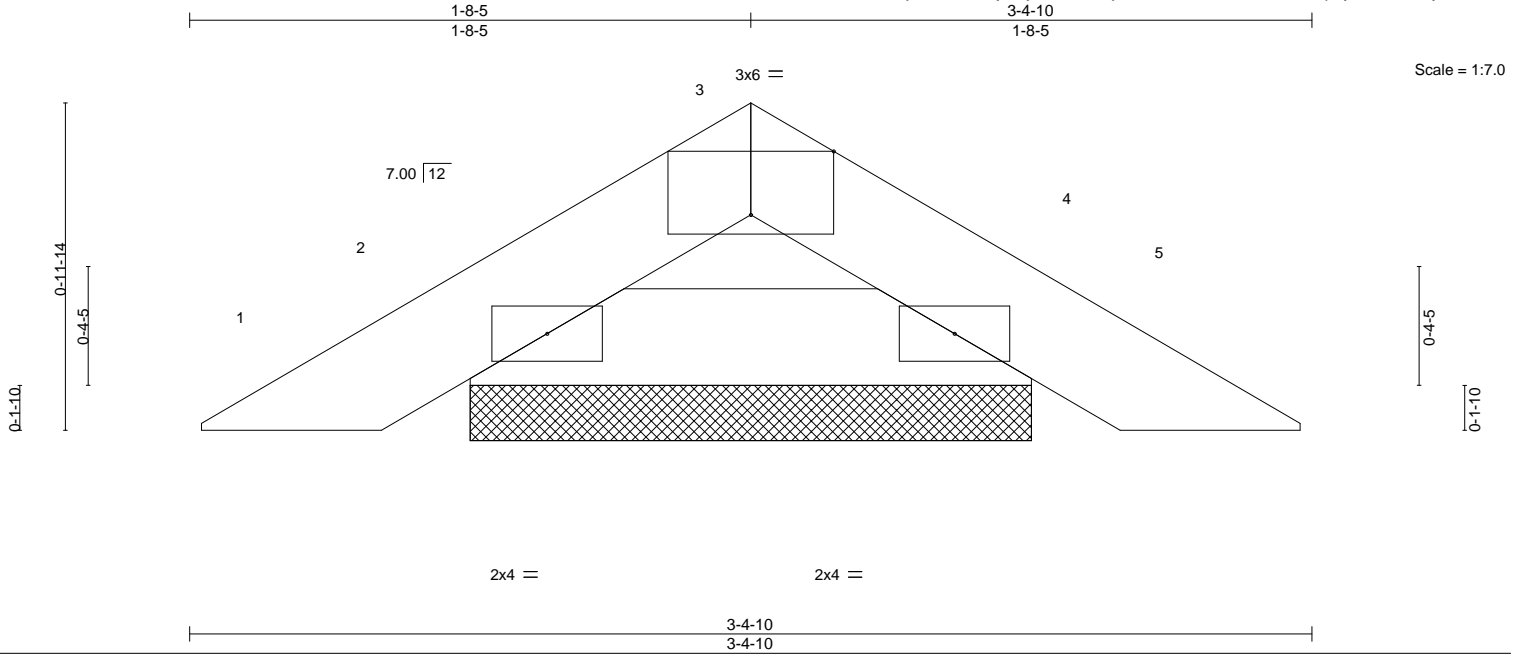
Safety Information available from Truss Plate Institute, 2670 Crain Highway, Suite 203 Waldorf, MD 20601



6904 Parke East Blvd.
Tampa, FL 36610

Job 2868120	Truss PB03	Truss Type Piggyback	Qty 8	Ply 1	AMIRA BLDRS. - HICKS RES. Job Reference (optional)	T24891401
----------------	---------------	-------------------------	----------	----------	---	-----------

Builders FirstSource (Lake City,FL), Lake City, FL - 32055, 8.430 s Jun 2 2021 MiTek Industries, Inc. Mon Aug 2 15:33:06 2021 Page 1
 ID:OGVM30uikhC8Ej8DWD31_JyuDyN-Sn7O1cjoikAcBE?XUCQ?MQZhPSop1ySLLLQczKyrTx



LOADING (psf)		SPACING-		CSI.		DEFL.				PLATES		GRIP	
TCLL	20.0	Plate Grip DOL	2-0-0	TC	0.02	Vert(LL)	in	(loc)	l/defl	L/d	MT20	244/190	
TCDL	7.0	Lumber DOL	1.25	BC	0.03	Vert(CT)	-0.00	4	n/r	120	Weight: 8 lb FT = 20%		
BCLL	0.0 *	Rep Stress Incr	YES	WB	0.00	Horz(CT)	0.00	4	n/a	n/a			
BCDL	10.0	Code	FBC2020/TPI2014	Matrix-P									

LUMBER-
 TOP CHORD 2x4 SP No.2
 BOT CHORD 2x4 SP No.2

BRACING-
 TOP CHORD Structural wood sheathing directly applied or 3-4-10 oc purlins.
 BOT CHORD Rigid ceiling directly applied or 10-0-0 oc bracing.

REACTIONS. (size) 2=1-8-5, 4=1-8-5
 Max Horz 2=-18(LC 10)
 Max Uplift 2=-27(LC 12), 4=-27(LC 13)
 Max Grav 2=92(LC 1), 4=92(LC 1)

FORCES. (lb) - Max. Comp./Max. Ten. - All forces 250 (lb) or less except when shown.

- NOTES-**
- Unbalanced roof live loads have been considered for this design.
 - Wind: ASCE 7-16; Vult=130mph (3-second gust) Vasd=101mph; TCDL=4.2psf; BCDL=3.0psf; h=22ft; Cat. II; Exp B; Encl., GCpi=0.18; MWFRS (envelope) gable end zone and C-C Exterior(2E) zone; C-C for members and forces & MWFRS for reactions shown; Lumber DOL=1.60 plate grip DOL=1.60
 - Building Designer / Project engineer responsible for verifying applied roof live load shown covers rain loading requirements specific to the use of this truss component.
 - Gable requires continuous bottom chord bearing.
 - This truss has been designed for a 10.0 psf bottom chord live load nonconcurrent with any other live loads.
 - * This truss has been designed for a live load of 20.0psf on the bottom chord in all areas where a rectangle 3-6-0 tall by 2-0-0 wide will fit between the bottom chord and any other members.
 - Provide mechanical connection (by others) of truss to bearing plate capable of withstanding 100 lb uplift at joint(s) 2, 4.
 - See Standard Industry Piggyback Truss Connection Detail for Connection to base truss as applicable, or consult qualified building designer.

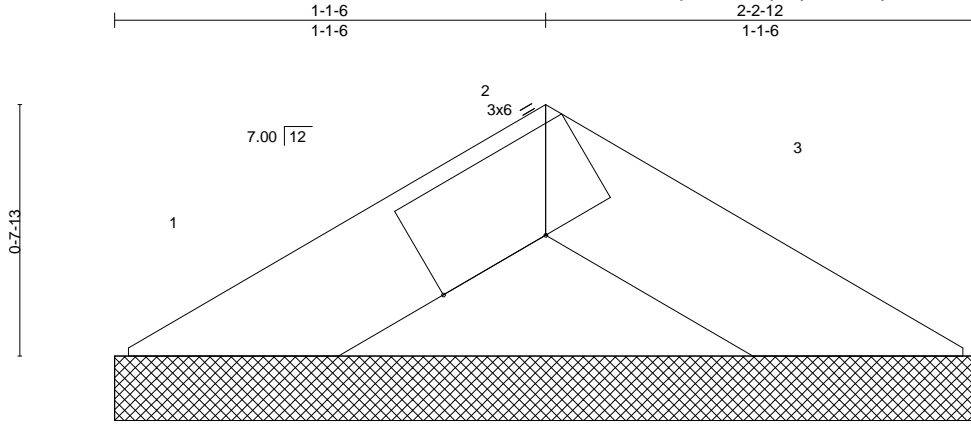
This item has been electronically signed and sealed by ORegan, Philip, PE using a Digital Signature. Printed copies of this document are not considered signed and sealed and the signature must be verified on any electronic copies.

Philip J. O'Regan PE No.58126
 MiTek USA, Inc. FL Cert 6634
 6904 Parke East Blvd. Tampa FL 33610
 Date:

August 3,2021

Job 2868120	Truss PB03G	Truss Type PIGGYBACK	Qty 1	Ply 1	AMIRA BLDRS. - HICKS RES.	T24891402
----------------	----------------	-------------------------	----------	----------	---------------------------	-----------

Builders FirstSource (Lake City,FL), Lake City, FL - 32055, 8.430 s Jun 2 2021 MiTek Industries, Inc. Mon Aug 2 15:33:07 2021 Page 1
 ID:OGVM30uikhC8Ej8DWD31_JyuDyN-wzhmEykQT1IToOaj2vxvEve6szs8WmOiUa?AAVnyrrTw



Scale = 1:6.0

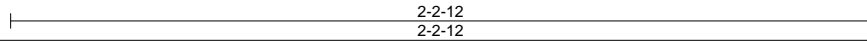


Plate Offsets (X,Y)-- [2:0-3-11,Edge]

LOADING (psf)	SPACING-	2-0-0	CSI.	DEFL.	in	(loc)	l/defl	L/d	PLATES	GRIP
TCLL 20.0	Plate Grip DOL	1.25	TC 0.03	Vert(LL)	n/a	-	n/a	999	MT20	244/190
TCDL 7.0	Lumber DOL	1.25		Vert(CT)	n/a	-	n/a	999		
	Rep Stress Incr	YES		Horz(CT)	0.00	3	n/a	n/a		
	Code	FBC2020/TPI2014	Matrix-P						Weight: 4 lb	FT = 20%

LUMBER-
TOP CHORD 2x4 SP No.2

BRACING-
TOP CHORD Structural wood sheathing directly applied or 2-2-12 oc purlins.
BOT CHORD Rigid ceiling directly applied or 10-0-0 oc bracing.

REACTIONS. (size) 1=2-2-12, 3=2-2-12
 Max Horz 1=11(LC 9)
 Max Uplift 1=-18(LC 12), 3=-18(LC 13)
 Max Grav 1=44(LC 1), 3=44(LC 1)

FORCES. (lb) - Max. Comp./Max. Ten. - All forces 250 (lb) or less except when shown.

- NOTES-**
- 1) Unbalanced roof live loads have been considered for this design.
 - 2) Wind: ASCE 7-16; Vult=130mph (3-second gust) Vasd=101mph; TCDL=4.2psf; BCDL=3.0psf; h=22ft; Cat. II; Exp B; Encl., GCpi=0.18; MWFRS (envelope) gable end zone and C-C Exterior(2E) zone;C-C for members and forces & MWFRS for reactions shown; Lumber DOL=1.60 plate grip DOL=1.60
 - 3) Building Designer / Project engineer responsible for verifying applied roof live load shown covers rain loading requirements specific to the use of this truss component.
 - 4) Gable requires continuous bottom chord bearing.
 - 5) N/A
will fit between the bottom chord and any other members.
 - 6) Provide mechanical connection (by others) of truss to bearing plate capable of withstanding 100 lb uplift at joint(s) 1, 3.

This item has been electronically signed and sealed by ORegan, Philip, PE using a Digital Signature. Printed copies of this document are not considered signed and sealed and the signature must be verified on any electronic copies.

Philip J. O'Regan PE No.58126
 MiTek USA, Inc. FL Cert 6634
 6904 Parke East Blvd. Tampa FL 33610
 Date:

August 3,2021

WARNING - Verify design parameters and READ NOTES ON THIS AND INCLUDED MITEK REFERENCE PAGE MII-7473 rev. 5/19/2020 BEFORE USE.

Design valid for use only with MiTek® connectors. This design is based only upon parameters shown, and is for an individual building component, not a truss system. Before use, the building designer must verify the applicability of design parameters and properly incorporate this design into the overall building design. Bracing indicated is to prevent buckling of individual truss web and/or chord members only. Additional temporary and permanent bracing is always required for stability and to prevent collapse with possible personal injury and property damage. For general guidance regarding the fabrication, storage, delivery, erection and bracing of trusses and truss systems, see

ANSI/TPI1 Quality Criteria, DSB-89 and BCSI Building Component

Safety Information available from Truss Plate Institute, 2670 Crain Highway, Suite 203 Waldorf, MD 20601



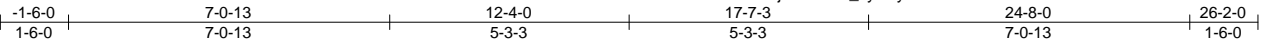
6904 Parke East Blvd.
 Tampa, FL 33610

Job 2868120	Truss T01	Truss Type Common	Qty 18	Ply 1	AMIRA BLDRS. - HICKS RES.	T24891403
----------------	--------------	----------------------	-----------	----------	---------------------------	-----------

Builders FirstSource (Lake City,FL), Lake City, FL - 32055,

8.430 s Jun 2 2021 MiTek Industries, Inc. Mon Aug 2 15:33:08 2021 Page 1

ID:OGVM30uikhC8Ej8DWD31_JyuDyN-OAF9Rik3ELQKQY9wcdSTRexMGPoVimdofovj2DyrrTv



Scale = 1:50.7

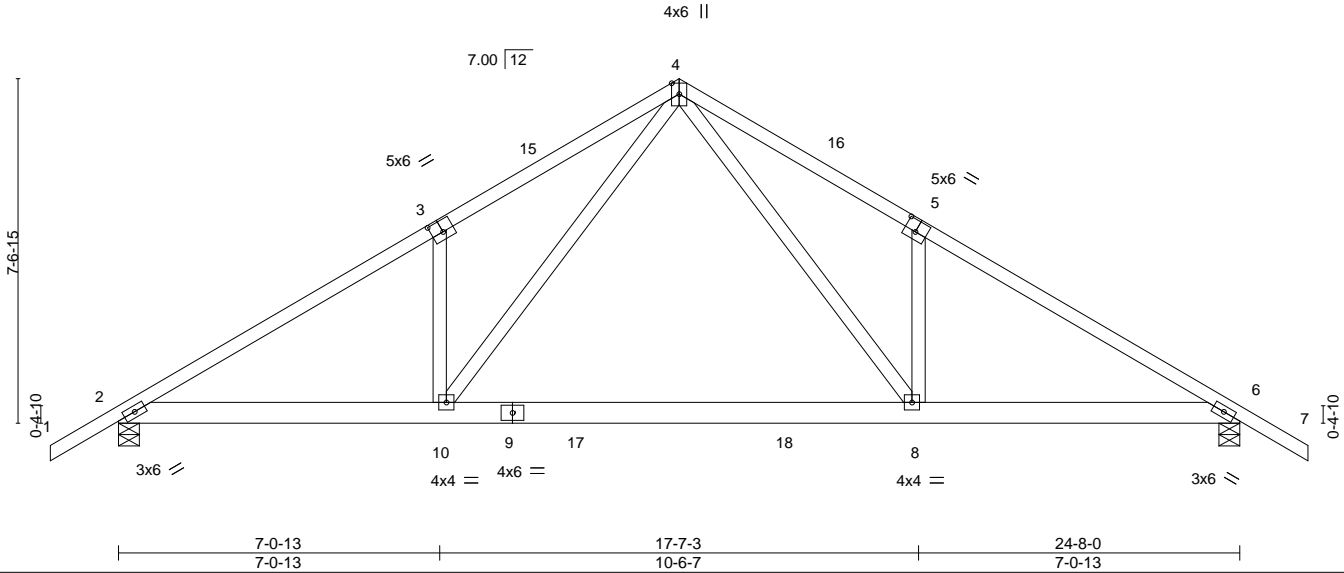


Plate Offsets (X,Y)-- [3:0-3-0,0-3-0], [5:0-3-0,0-3-0]

LOADING (psf)	SPACING-	2-0-0	CSI.	DEFL.	in (loc)	l/defl	L/d	PLATES	GRIP
TCLL 20.0	Plate Grip DOL	1.25	TC 0.44	Vert(LL)	-0.22 8-10	>999	240	MT20	244/190
TCDL 7.0	Lumber DOL	1.25	BC 0.38	Vert(CT)	-0.42 8-10	>713	180		
BCLL 0.0 *	Rep Stress Incr	NO	WB 0.59	Horz(CT)	0.03 6	n/a	n/a		
BCDL 10.0	Code	FBC2020/TPI2014	Matrix-MS					Weight: 142 lb	FT = 20%

LUMBER-
TOP CHORD 2x4 SP No.2
BOT CHORD 2x6 SP M 26
WEBS 2x4 SP No.3

BRACING-
TOP CHORD Structural wood sheathing directly applied or 3-6-2 oc purlins.
BOT CHORD Rigid ceiling directly applied or 10-0-0 oc bracing.

REACTIONS. (size) 2=0-5-8, 6=0-5-8
Max Horz 2=183(LC 11)
Max Uplift 2=-319(LC 12), 6=-319(LC 13)
Max Grav 2=1446(LC 19), 6=1446(LC 20)

FORCES. (lb) - Max. Comp./Max. Ten. - All forces 250 (lb) or less except when shown.
TOP CHORD 2-3=-2409/488, 3-4=-2442/634, 4-5=-2442/633, 5-6=-2409/487
BOT CHORD 2-10=-427/2129, 8-10=-193/1291, 6-8=-316/2006
WEBS 4-8=-395/1418, 5-8=-345/246, 4-10=-395/1418, 3-10=-345/246

- NOTES-**
- Unbalanced roof live loads have been considered for this design.
 - Wind: ASCE 7-16; Vult=130mph (3-second gust) Vasd=101mph; TCDL=4.2psf; BCDL=3.0psf; h=22ft; Cat. II; Exp B; Encl., GCpi=0.18; MWFRS (envelope) gable end zone and C-C Exterior(2E) -1-6-0 to 1-6-0, Interior(1) 1-6-0 to 12-4-0, Exterior(2R) 12-4-0 to 15-4-0, Interior(1) 15-4-0 to 26-2-0 zone; C-C for members and forces & MWFRS for reactions shown; Lumber DOL=1.60 plate grip DOL=1.60
 - Building Designer / Project engineer responsible for verifying applied roof live load shown covers rain loading requirements specific to the use of this truss component.
 - This truss has been designed for a 10.0 psf bottom chord live load nonconcurrent with any other live loads.
 - * This truss has been designed for a live load of 20.0psf on the bottom chord in all areas where a rectangle 3-6-0 tall by 2-0-0 wide will fit between the bottom chord and any other members, with BCDL = 10.0psf.
 - Provide mechanical connection (by others) of truss to bearing plate capable of withstanding 100 lb uplift at joint(s) except (jt=lb) 2=319, 6=319.
 - In the LOAD CASE(S) section, loads applied to the face of the truss are noted as front (F) or back (B).

LOAD CASE(S) Standard
1) Dead + Roof Live (balanced): Lumber Increase=1.25, Plate Increase=1.25
Uniform Loads (plf)
Vert: 1-4=-54, 4-7=-54, 2-10=-20, 8-10=-80(F=60), 6-8=-20

This item has been electronically signed and sealed by O'Regan, Philip, PE using a Digital Signature. Printed copies of this document are not considered signed and sealed and the signature must be verified on any electronic copies.

Philip J. O'Regan PE No.58126
MiTek USA, Inc. FL Cert 6634
6904 Parke East Blvd. Tampa FL 33610
Date:

August 3,2021

WARNING - Verify design parameters and READ NOTES ON THIS AND INCLUDED MITEK REFERENCE PAGE MII-7473 rev. 5/19/2020 BEFORE USE.

Design valid for use only with MiTek® connectors. This design is based only upon parameters shown, and is for an individual building component, not a truss system. Before use, the building designer must verify the applicability of design parameters and properly incorporate this design into the overall building design. Bracing indicated is to prevent buckling of individual truss web and/or chord members only. Additional temporary and permanent bracing is always required for stability and to prevent collapse with possible personal injury and property damage. For general guidance regarding the fabrication, storage, delivery, erection and bracing of trusses and truss systems, see

ANSI/TPI1 Quality Criteria, DSB-89 and BCSI Building Component

Safety Information available from Truss Plate Institute, 2670 Crain Highway, Suite 203 Waldorf, MD 20601



6904 Parke East Blvd.
Tampa, FL 33610

Job 2868120	Truss T01G	Truss Type Common Supported Gable	Qty 1	Ply 1	AMIRA BLDRS. - HICKS RES. Job Reference (optional)	T24891404
----------------	---------------	--------------------------------------	----------	----------	---	-----------

Builders FirstSource (Lake City,FL), Lake City, FL - 32055,

8.430 s Jun 2 2021 MiTek Industries, Inc. Mon Aug 2 15:33:09 2021 Page 1

ID:OGVM30uikhC8Ej8DWD31_JyuDyN-sMpXfdlh?YB2ik69Kzi_3B9_fpPEHQn1JfHafyrrTu



Scale: 1/4"=1'

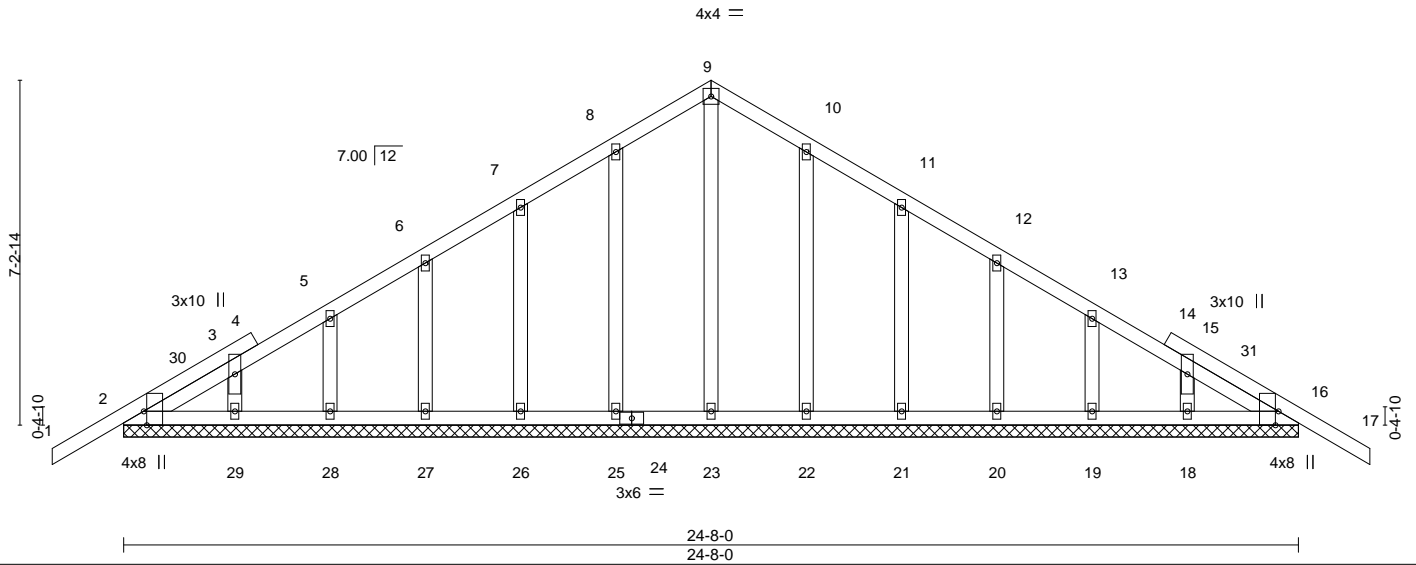


Plate Offsets (X,Y)-- [2:0-3-8,Edge], [16:0-3-8,Edge]

LOADING (psf)	SPACING-	2-0-0	CSI.	DEFL.	in	(loc)	l/defl	L/d	PLATES	GRIP
TCLL 20.0	Plate Grip DOL	1.25	TC 0.13	Vert(LL)	-0.01	17	n/r	120	MT20	244/190
TCDL 7.0	Lumber DOL	1.25	BC 0.04	Vert(CT)	-0.01	17	n/r	120		
BCLL 0.0 *	Rep Stress Incr	YES	WB 0.11	Horz(CT)	0.00	16	n/a	n/a		
BCDL 10.0	Code	FBC2020/TPI2014	Matrix-S						Weight: 150 lb	FT = 20%

LUMBER-
TOP CHORD 2x4 SP No.2
BOT CHORD 2x4 SP No.2
OTHERS 2x4 SP No.3

BRACING-
TOP CHORD Structural wood sheathing directly applied or 6-0-0 oc purlins.
BOT CHORD Rigid ceiling directly applied or 10-0-0 oc bracing.

REACTIONS. All bearings 24-8-0.
(lb) - Max Horz 2=175(LC 10)
Max Uplift All uplift 100 lb or less at joint(s) 2, 16, 25, 26, 27, 28, 29, 22, 21, 20, 19, 18
Max Grav All reactions 250 lb or less at joint(s) 2, 16, 23, 25, 26, 27, 28, 29, 22, 21, 20, 19, 18

FORCES. (lb) - Max. Comp./Max. Ten. - All forces 250 (lb) or less except when shown.

- NOTES-**
- Unbalanced roof live loads have been considered for this design.
 - Wind: ASCE 7-16; Vult=130mph (3-second gust) Vasd=101mph; TCDL=4.2psf; BCDL=3.0psf; h=22ft; Cat. II; Exp B; Encl., GCpi=0.18; MWFRS (envelope) gable end zone and C-C Corner(3E) -1-6-0 to 1-6-0, Exterior(2N) 1-6-0 to 12-4-0, Corner(3R) 12-4-0 to 15-4-0, Exterior(2N) 15-4-0 to 26-2-0 zone;C-C for members and forces & MWFRS for reactions shown; Lumber DOL=1.60 plate grip DOL=1.60
 - Truss designed for wind loads in the plane of the truss only. For studs exposed to wind (normal to the face), see Standard Industry Gable End Details as applicable, or consult qualified building designer as per ANSI/TPI 1.
 - Building Designer / Project engineer responsible for verifying applied roof live load shown covers rain loading requirements specific to the use of this truss component.
 - All plates are 2x4 MT20 unless otherwise indicated.
 - Gable requires continuous bottom chord bearing.
 - Gable studs spaced at 2-0-0 oc.
 - This truss has been designed for a 10.0 psf bottom chord live load nonconcurrent with any other live loads.
 - * This truss has been designed for a live load of 20.0psf on the bottom chord in all areas where a rectangle 3-6-0 tall by 2-0-0 wide will fit between the bottom chord and any other members.
 - Provide mechanical connection (by others) of truss to bearing plate capable of withstanding 100 lb uplift at joint(s) 2, 16, 25, 26, 27, 28, 29, 22, 21, 20, 19, 18.

This item has been electronically signed and sealed by O'Regan, Philip, PE using a Digital Signature. Printed copies of this document are not considered signed and sealed and the signature must be verified on any electronic copies.

Philip J. O'Regan PE No.58126
MiTek USA, Inc. FL Cert 6634
6904 Parke East Blvd. Tampa FL 33610
Date:

August 3,2021

WARNING - Verify design parameters and READ NOTES ON THIS AND INCLUDED MITEK REFERENCE PAGE MII-7473 rev. 5/19/2020 BEFORE USE.

Design valid for use only with MiTek® connectors. This design is based only upon parameters shown, and is for an individual building component, not a truss system. Before use, the building designer must verify the applicability of design parameters and properly incorporate this design into the overall building design. Bracing indicated is to prevent buckling of individual truss web and/or chord members only. Additional temporary and permanent bracing is always required for stability and to prevent collapse with possible personal injury and property damage. For general guidance regarding the fabrication, storage, delivery, erection and bracing of trusses and truss systems, see

ANSI/TPI1 Quality Criteria, DSB-89 and BCSI Building Component

Safety Information available from Truss Plate Institute, 2670 Crain Highway, Suite 203 Waldorf, MD 20601



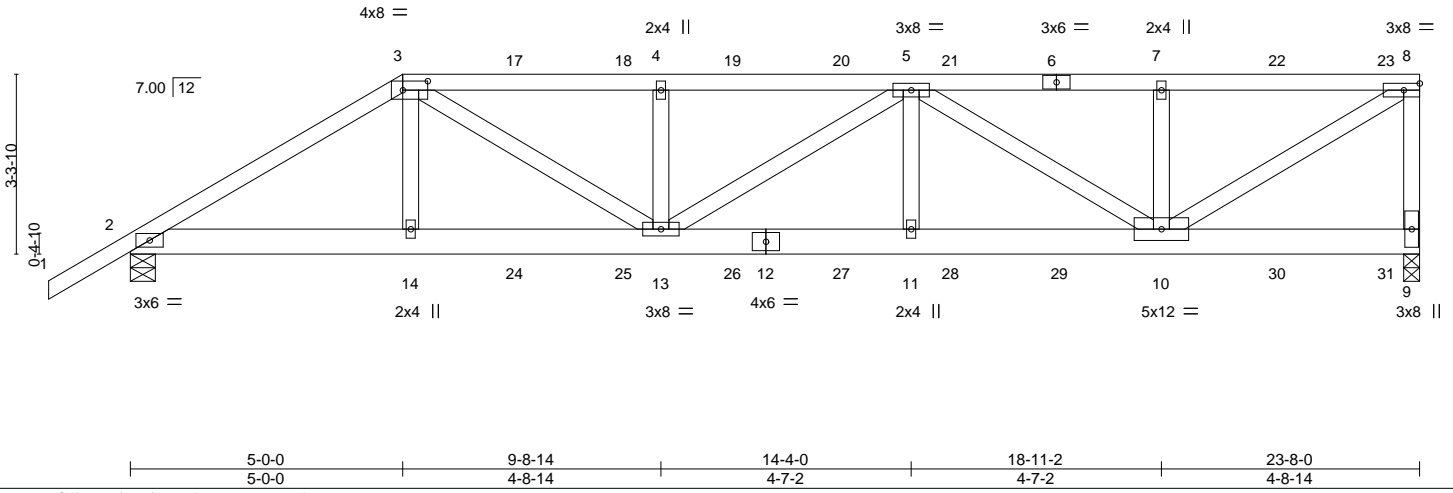
6904 Parke East Blvd.
Tampa, FL 36610

Job 2868120	Truss T02	Truss Type Half Hip Girder	Qty 1	Ply 1	AMIRA BLDRS. - HICKS RES. Job Reference (optional)	T24891405
----------------	--------------	-------------------------------	----------	----------	---	-----------

Builders FirstSource (Lake City, FL), Lake City, FL - 32055, 8.430 s Jun 2 2021 MiTek Industries, Inc. Mon Aug 2 15:33:10 2021 Page 1
 ID:OGVM30uikhC8Ej8DWD31_JyuDyN-KYmVmszmJmyg2fsJlj1UxXGkEy31LzYQwGzOq65yrrTt



Scale = 1:42.3



LOADING (psf)	SPACING-	2-0-0	CSI.	DEFL.	in (loc)	l/defl	L/d	PLATES	GRIP
TCLL 20.0	Plate Grip DOL	1.25	TC 0.56	Vert(LL)	0.14 11-13	>999	240	MT20	244/190
TCDL 7.0	Lumber DOL	1.25	BC 0.57	Vert(CT)	-0.23 11-13	>999	180		
BCLL 0.0 *	Rep Stress Incr	NO	WB 0.83	Horz(CT)	0.05 9	n/a	n/a		
BCDL 10.0	Code	FBC2020/TPI2014	Matrix-MS					Weight: 143 lb	FT = 20%

LUMBER-
 TOP CHORD 2x4 SP No.2
 BOT CHORD 2x4 SP No.2
 WEBS 2x4 SP No.3

BRACING-
 TOP CHORD Structural wood sheathing directly applied or 2-11-12 oc purlins, except end verticals.
 BOT CHORD Rigid ceiling directly applied or 7-0-5 oc bracing.

REACTIONS. (size) 9=0-3-8, 2=0-5-8
 Max Horz 2=130(LC 23)
 Max Uplift 9=653(LC 5), 2=529(LC 8)
 Max Grav 9=1579(LC 1), 2=1445(LC 1)

FORCES. (lb) - Max. Comp./Max. Ten. - All forces 250 (lb) or less except when shown.
 TOP CHORD 2-3=2412/899, 3-4=2893/1132, 4-5=2893/1132, 5-7=-1886/741, 7-8=-1886/741, 8-9=-1466/647
 BOT CHORD 2-14=-811/2029, 13-14=-815/2046, 11-13=-1115/2840, 10-11=-1115/2840
 WEBS 3-14=-67/419, 3-13=-462/996, 4-13=-408/261, 5-11=0/302, 5-10=-1130/458, 7-10=-408/256, 8-10=-858/2191

NOTES-

- 1) Wind: ASCE 7-16; Vult=130mph (3-second gust) Vasd=101mph; TCDL=4.2psf; BCDL=3.0psf; h=22ft; Cat. II; Exp B; Encl., GCpi=0.18; MWFRS (envelope) gable end zone; Lumber DOL=1.60 plate grip DOL=1.60
- 2) Building Designer / Project engineer responsible for verifying applied roof live load shown covers rain loading requirements specific to the use of this truss component.
- 3) Provide adequate drainage to prevent water ponding.
- 4) This truss has been designed for a 10.0 psf bottom chord live load nonconcurrent with any other live loads.
- 5) * This truss has been designed for a live load of 20.0psf on the bottom chord in all areas where a rectangle 3-6-0 tall by 2-0-0 wide will fit between the bottom chord and any other members.
- 6) Provide mechanical connection (by others) of truss to bearing plate capable of withstanding 100 lb uplift at joint(s) except (jt=lb) 9=653, 2=529.
- 7) Hanger(s) or other connection device(s) shall be provided sufficient to support concentrated load(s) 98 lb up at 5-0-0, 98 lb down and 80 lb up at 7-0-12, 98 lb down and 80 lb up at 9-0-12, 98 lb down and 80 lb up at 11-0-12, 98 lb down and 80 lb up at 13-0-12, 98 lb down and 78 lb up at 15-0-12, 98 lb down and 80 lb up at 17-0-12, 98 lb down and 80 lb up at 19-0-12, 98 lb down and 80 lb up at 21-0-12, and 91 lb down and 79 lb up at 23-0-12, and 94 lb down and 78 lb up at 23-6-4 on top chord, and 189 lb down and 89 lb up at 5-0-0, 49 lb down and 15 lb up at 7-0-12, 49 lb down and 15 lb up at 9-0-12, 49 lb down and 15 lb up at 11-0-12, 49 lb down and 15 lb up at 13-0-12, 49 lb down and 15 lb up at 15-0-12, 49 lb down and 15 lb up at 17-0-12, 49 lb down and 15 lb up at 19-0-12, and 49 lb down and 15 lb up at 21-0-12, and 60 lb down and 15 lb up at 23-0-12 on bottom chord. The design/selection of such connection device(s) is the responsibility of others.
- 8) In the LOAD CASE(S) section, loads applied to the face of the truss are noted as front (F) or back (B).

LOAD CASE(S) Standard

This item has been electronically signed and sealed by O'Regan, Philip, PE using a Digital Signature. Printed copies of this document are not considered signed and sealed and the signature must be verified on any electronic copies.

Philip J. O'Regan PE No.58126
 MiTek USA, Inc. FL Cert 6634
 6904 Parke East Blvd. Tampa FL 33610
 Date:

August 3,2021

Continued on page 2

WARNING - Verify design parameters and READ NOTES ON THIS AND INCLUDED MITEK REFERENCE PAGE MII-7473 rev. 5/19/2020 BEFORE USE.
 Design valid for use only with MiTek® connectors. This design is based only upon parameters shown, and is for an individual building component, not a truss system. Before use, the building designer must verify the applicability of design parameters and properly incorporate this design into the overall building design. Bracing indicated is to prevent buckling of individual truss web and/or chord members only. Additional temporary and permanent bracing is always required for stability and to prevent collapse with possible personal injury and property damage. For general guidance regarding the fabrication, storage, delivery, erection and bracing of trusses and truss systems, see **ANSI/TPI1 Quality Criteria, DSB-89 and BCSI Building Component Safety Information** available from Truss Plate Institute, 2670 Crain Highway, Suite 203 Waldorf, MD 20601



Job 2868120	Truss T02	Truss Type Half Hip Girder	Qty 1	Ply 1	AMIRA BLDRS. - HICKS RES. Job Reference (optional)	T24891405
----------------	--------------	-------------------------------	----------	----------	---	-----------

Builders FirstSource (Lake City,FL), Lake City, FL - 32055,

8.430 s Jun 2 2021 MiTek Industries, Inc. Mon Aug 2 15:33:10 2021 Page 2
ID:OGVM30uikhC8Ej8DWD31_JyuDyN-KYMvszmJmyg2fsJlj1UxXGkEy31LzYQwGzOq65yrrTt

LOAD CASE(S) Standard

1) Dead + Roof Live (balanced): Lumber Increase=1.25, Plate Increase=1.25

Uniform Loads (plf)

Vert: 1-3=-54, 3-8=-54, 2-9=-20

Concentrated Loads (lb)

Vert: 3=-59(F) 6=-59(F) 8=-88(F) 14=-168(F) 7=-59(F) 10=-38(F) 17=-59(F) 18=-59(F) 19=-59(F) 20=-59(F) 21=-59(F) 22=-59(F) 23=-73(F) 24=-38(F) 25=-38(F) 26=-38(F) 27=-38(F) 28=-38(F) 29=-38(F) 30=-38(F) 31=-43(F)

WARNING - Verify design parameters and READ NOTES ON THIS AND INCLUDED MITEK REFERENCE PAGE MII-7473 rev. 5/19/2020 BEFORE USE.

Design valid for use only with MiTek® connectors. This design is based only upon parameters shown, and is for an individual building component, not a truss system. Before use, the building designer must verify the applicability of design parameters and properly incorporate this design into the overall building design. Bracing indicated is to prevent buckling of individual truss web and/or chord members only. Additional temporary and permanent bracing is always required for stability and to prevent collapse with possible personal injury and property damage. For general guidance regarding the fabrication, storage, delivery, erection and bracing of trusses and truss systems, see **ANSI/TPI1 Quality Criteria, DSB-89 and BCSI Building Component Safety Information** available from Truss Plate Institute, 2670 Crain Highway, Suite 203 Waldorf, MD 20601

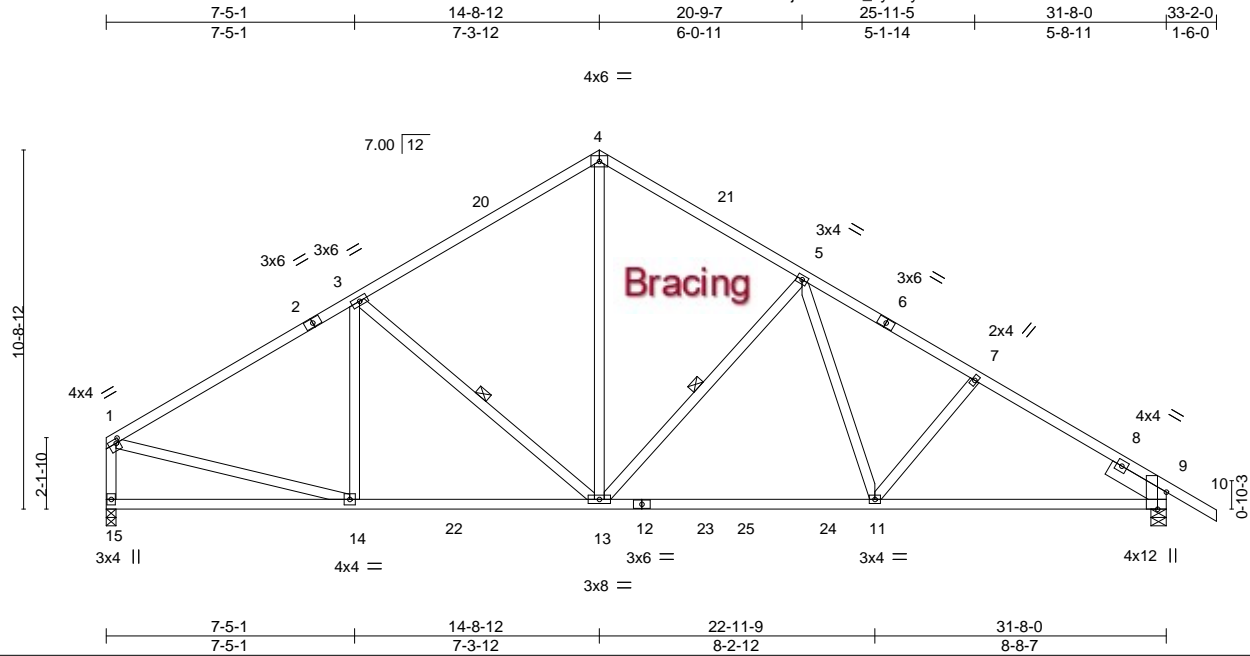


6904 Parke East Blvd.
Tampa, FL 36610

Job 2868120	Truss T03	Truss Type Common	Qty 6	Ply 1	AMIRA BLDRS. - HICKS RES.	T24891406
----------------	--------------	----------------------	----------	----------	---------------------------	-----------

Builders FirstSource (Lake City,FL), Lake City, FL - 32055,

8.430 s Jun 2 2021 MiTek Industries, Inc. Mon Aug 2 15:33:11 2021 Page 1
ID:OGVM30uikhC8Ej8DWD31_JyuDyN-okwH4JnxXGovH?uVHI?A3UGM0Tlui5V4Ud8NFYrrTs



Scale = 1:68.8

Plate Offsets (X,Y)-- [1:0-1-4,0-1-8], [9:0-6-2,Edge]

LOADING (psf)	SPACING-	2-0-0	CSI.	DEFL.	in (loc)	l/defl	L/d	PLATES	GRIP
TCLL 20.0	Plate Grip DOL	1.25	TC 0.73	Vert(LL)	-0.21 11-13	>999	240	MT20	244/190
TCDL 7.0	Lumber DOL	1.25	BC 0.87	Vert(CT)	-0.35 11-13	>999	180		
BCLL 0.0 *	Rep Stress Incr	YES	WB 0.46	Horz(CT)	0.07 9	n/a	n/a		
BCDL 10.0	Code FBC2020/TPI2014		Matrix-MS					Weight: 190 lb	FT = 20%

LUMBER-
TOP CHORD 2x4 SP No.2
BOT CHORD 2x4 SP No.2
WEBS 2x4 SP No.3
SLIDER Right 2x6 SP No.2 1-11-8

BRACING-
TOP CHORD Structural wood sheathing directly applied or 2-8-14 oc purlins, except end verticals.
BOT CHORD Rigid ceiling directly applied or 10-0-0 oc bracing.
WEBS 1 Row at midpt 3-13, 5-13

REACTIONS. (size) 15=0-3-8, 9=0-5-8
Max Horz 15=-233(LC 8)
Max Uplift 15=-236(LC 12), 9=-285(LC 13)
Max Grav 15=1338(LC 19), 9=1428(LC 20)

FORCES. (lb) - Max. Comp./Max. Ten. - All forces 250 (lb) or less except when shown.
TOP CHORD 1-3=-1556/292, 3-4=-1300/323, 4-5=-1269/327, 5-7=-1809/379, 7-9=-1938/380, 1-15=-1223/254
BOT CHORD 14-15=-197/272, 13-14=-258/1431, 11-13=-148/1401, 9-11=-223/1585
WEBS 3-13=-423/224, 4-13=-189/938, 5-13=-635/264, 5-11=-71/446, 1-14=-168/1237

- NOTES-**
- Unbalanced roof live loads have been considered for this design.
 - Wind: ASCE 7-16; Vult=130mph (3-second gust) Vasd=101mph; TCDL=4.2psf; BCDL=3.0psf; h=22ft; Cat. II; Exp B; Encl., GCpi=0.18; MWFRS (envelope) gable end zone and C-C Exterior(2E) 0-1-12 to 3-3-12, Interior(1) 3-3-12 to 14-8-12, Exterior(2R) 14-8-12 to 17-10-12, Interior(1) 17-10-12 to 33-2-0 zone; end vertical right exposed;C-C for members and forces & MWFRS for reactions shown; Lumber DOL=1.60 plate grip DOL=1.60
 - Building Designer / Project engineer responsible for verifying applied roof live load shown covers rain loading requirements specific to the use of this truss component.
 - This truss has been designed for a 10.0 psf bottom chord live load nonconcurrent with any other live loads.
 - * This truss has been designed for a live load of 20.0psf on the bottom chord in all areas where a rectangle 3-6-0 tall by 2-0-0 wide will fit between the bottom chord and any other members, with BCDL = 10.0psf.
 - Provide mechanical connection (by others) of truss to bearing plate capable of withstanding 100 lb uplift at joint(s) except (jt=lb) 15=236, 9=285.

This item has been electronically signed and sealed by ORegan, Philip, PE using a Digital Signature. Printed copies of this document are not considered signed and sealed and the signature must be verified on any electronic copies.

Philip J. O'Regan PE No.58126
MiTek USA, Inc. FL Cert 6634
6904 Parke East Blvd. Tampa FL 33610
Date:

August 3,2021

WARNING - Verify design parameters and READ NOTES ON THIS AND INCLUDED MITEK REFERENCE PAGE MII-7473 rev. 5/19/2020 BEFORE USE.

Design valid for use only with MiTek® connectors. This design is based only upon parameters shown, and is for an individual building component, not a truss system. Before use, the building designer must verify the applicability of design parameters and properly incorporate this design into the overall building design. Bracing indicated is to prevent buckling of individual truss web and/or chord members only. Additional temporary and permanent bracing is always required for stability and to prevent collapse with possible personal injury and property damage. For general guidance regarding the fabrication, storage, delivery, erection and bracing of trusses and truss systems, see

ANSI/TPI1 Quality Criteria, DSB-89 and BCSI Building Component

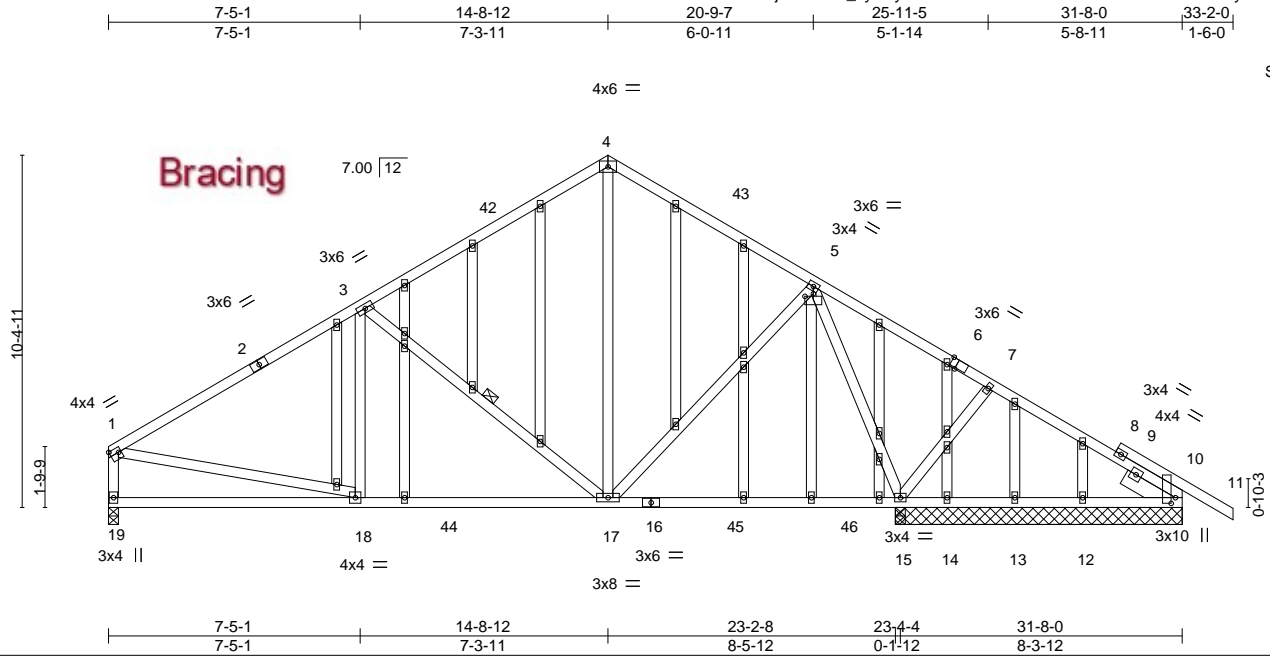
Safety Information available from Truss Plate Institute, 2670 Crain Highway, Suite 203 Waldorf, MD 20601



6904 Parke East Blvd.
Tampa, FL 33610

Job 2868120	Truss T03G	Truss Type GABLE	Qty 1	Ply 1	AMIRA BLDRS. - HICKS RES.	T24891407
----------------	---------------	---------------------	----------	----------	---------------------------	-----------

Builders FirstSource (Lake City, FL), Lake City, FL - 32055, 8.430 s Jun 2 2021 MiTek Industries, Inc. Mon Aug 2 15:33:13 2021 Page 1
 ID:OGVM30uikhC8Ej8DWD31_JyuDyN-I721V?oB3t2dWJ2tOA2e8vMkUH1RAtmNyxduJYqrrTq



Scale = 1:68.0

Plate Offsets (X,Y)-- [1:Edge,0-1-12], [5:0-3-0,0-0-15], [6:0-2-3,Edge], [10:0-2-0,0-1-8]

LOADING (psf)	SPACING-	2-0-0	CSI.	DEFL.	in (loc)	l/defl	L/d	PLATES	GRIP
TCLL 20.0	Plate Grip DOL	1.25	TC 0.61	Vert(LL)	-0.15 15-17	>999	240	MT20	244/190
TCDL 7.0	Lumber DOL	1.25	BC 0.67	Vert(CT)	-0.25 15-17	>999	180		
BCLL 0.0 *	Rep Stress Incr	YES	WB 0.99	Horz(CT)	0.01 15	n/a	n/a		
BCDL 10.0	Code FBC2020/TPI2014		Matrix-MS					Weight: 273 lb	FT = 20%

LUMBER-
 TOP CHORD 2x4 SP No.2
 BOT CHORD 2x4 SP No.2
 WEBS 2x4 SP No.3
 OTHERS 2x4 SP No.3
 SLIDER Right 2x6 SP No.2 1-7-6

BRACING-
 TOP CHORD Structural wood sheathing directly applied or 5-0-5 oc purlins, except end verticals.
 BOT CHORD Rigid ceiling directly applied or 6-0-0 oc bracing.
 WEBS 1 Row at midpt 3-17

REACTIONS. All bearings 8-5-8 except (jt=length) 19=0-3-8.
 (lb) - Max Horz 19=-227(LC 8)
 Max Uplift All uplift 100 lb or less at joint(s) 10, 12 except 19=-180(LC 12), 15=-240(LC 13), 14=-240(LC 18)
 Max Grav All reactions 250 lb or less at joint(s) 13, 12 except 19=950(LC 19), 15=1565(LC 20), 15=1295(LC 1), 10=280(LC 24)

FORCES. (lb) - Max. Comp./Max. Ten. - All forces 250 (lb) or less except when shown.
 TOP CHORD 1-3=-1079/216, 3-4=-669/215, 4-5=-655/220, 5-7=-6/268, 1-19=-834/198
 BOT CHORD 18-19=-201/281, 17-18=-203/1016
 WEBS 3-17=-563/247, 4-17=-74/311, 5-17=-50/490, 5-15=-1042/215, 1-18=-88/765

- NOTES-**
- Unbalanced roof live loads have been considered for this design.
 - Wind: ASCE 7-16; Vult=130mph (3-second gust) Vasd=101mph; TCDL=4.2psf; BCDL=3.0psf; h=22ft; Cat. II; Exp B; Encl., GCpi=0.18; MWFRS (envelope) gable end zone and C-C Exterior(2E) 0-1-12 to 3-3-12, Interior(1) 3-3-12 to 14-8-12, Exterior(2R) 14-8-12 to 17-10-12, Interior(1) 17-10-12 to 33-2-0 zone; C-C for members and forces & MWFRS for reactions shown; Lumber DOL=1.60 plate grip DOL=1.60
 - Truss designed for wind loads in the plane of the truss only. For studs exposed to wind (normal to the face), see Standard Industry Gable End Details as applicable, or consult qualified building designer as per ANSI/TPI 1.
 - Building Designer / Project engineer responsible for verifying applied roof live load shown covers rain loading requirements specific to the use of this truss component.
 - All plates are 2x4 MT20 unless otherwise indicated.
 - Gable studs spaced at 2-0-0 oc.
 - This truss has been designed for a 10.0 psf bottom chord live load nonconcurrent with any other live loads.
 - * This truss has been designed for a live load of 20.0psf on the bottom chord in all areas where a rectangle 3-6-0 tall by 2-0-0 wide will fit between the bottom chord and any other members, with BCDL = 10.0psf.
 - Provide mechanical connection (by others) of truss to bearing plate capable of withstanding 100 lb uplift at joint(s) 10, 12 except (jt=lb) 19=180, 15=240, 14=240.

This item has been electronically signed and sealed by O'Regan, Philip, PE using a Digital Signature. Printed copies of this document are not considered signed and sealed and the signature must be verified on any electronic copies.

Philip J. O'Regan PE No.58126
 MiTek USA, Inc. FL Cert 6634
 6904 Parke East Blvd. Tampa FL 33610
 Date:

August 3, 2021

WARNING - Verify design parameters and READ NOTES ON THIS AND INCLUDED MITEK REFERENCE PAGE MII-7473 rev. 5/19/2020 BEFORE USE.

Design valid for use only with MiTek® connectors. This design is based only upon parameters shown, and is for an individual building component, not a truss system. Before use, the building designer must verify the applicability of design parameters and properly incorporate this design into the overall building design. Bracing indicated is to prevent buckling of individual truss web and/or chord members only. Additional temporary and permanent bracing is always required for stability and to prevent collapse with possible personal injury and property damage. For general guidance regarding the fabrication, storage, delivery, erection and bracing of trusses and truss systems, see

ANSI/TPI1 Quality Criteria, DSB-89 and BCSI Building Component

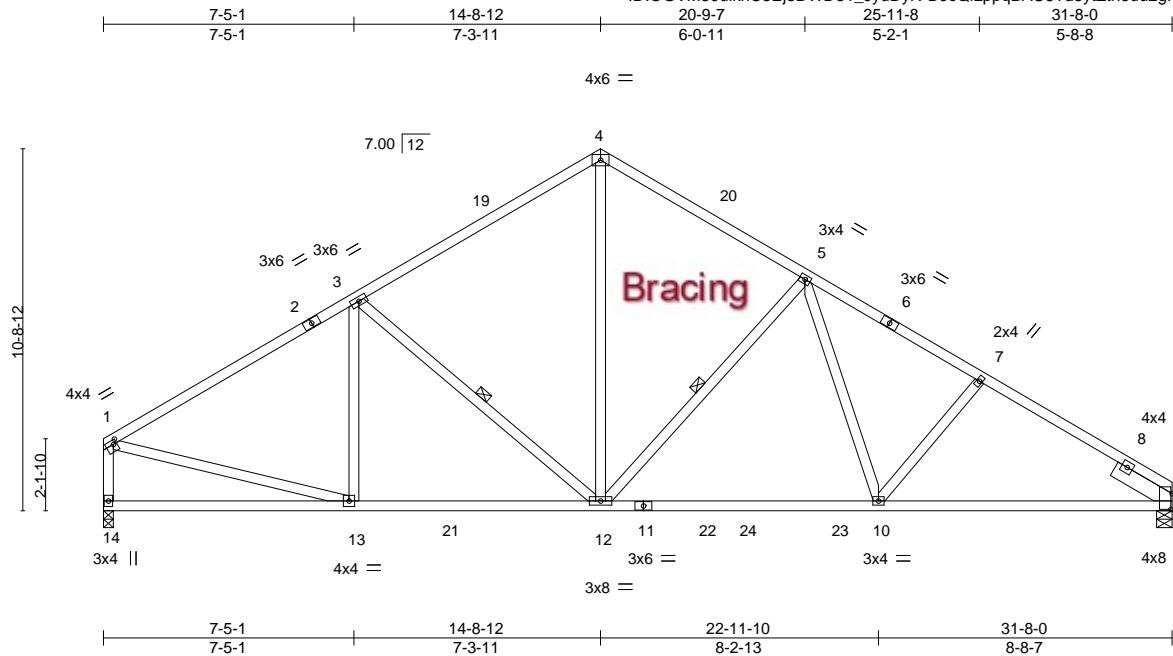
Safety Information available from Truss Plate Institute, 2670 Crain Highway, Suite 203 Waldorf, MD 20601



6904 Parke East Blvd.
 Tampa, FL 33610

Job 2868120	Truss T04	Truss Type Common	Qty 2	Ply 1	AMIRA BLDRS. - HICKS RES.	T24891408
----------------	--------------	----------------------	----------	----------	---------------------------	-----------

Builders FirstSource (Lake City,FL), Lake City, FL - 32055, 8.430 s Jun 2 2021 MiTek Industries, Inc. Mon Aug 2 15:33:14 2021 Page 1
 ID:OGVM30uikhC8Ej8DWD31_JyuDyN-DJcQilppqBAU8Td3ytZth6uu2gKxvSEWBbM1FtyrTp



Scale = 1:68.3

Plate Offsets (X,Y)-- [1:0-1-4,0-1-8], [9:0-5-10,0-0-7]

LOADING (psf)	SPACING-	CSI.	DEFL.	in (loc)	l/defl	L/d	PLATES	GRIP
TCLL 20.0	2-0-0	TC 0.68	Vert(LL)	-0.21 10-12	>999	240	MT20	244/190
TCDL 7.0	1.25	BC 0.85	Vert(CT)	-0.35 10-12	>999	180		
BCLL 0.0 *	1.25	WB 0.46	Horz(CT)	0.07 9	n/a	n/a		
BCDL 10.0	Rep Stress Incr YES	Matrix-MS					Weight: 188 lb	FT = 20%
	Code FBC2020/TPI2014							

LUMBER-	BRACING-
TOP CHORD 2x4 SP No.2	TOP CHORD Structural wood sheathing directly applied or 2-11-10 oc purlins, except end verticals.
BOT CHORD 2x4 SP No.2	BOT CHORD Rigid ceiling directly applied or 10-0-0 oc bracing.
WEBS 2x4 SP No.3	WEBS 1 Row at midpt 3-12, 5-12
SLIDER Right 2x6 SP No.2 1-11-8	

REACTIONS. (size) 14=0-3-8, 9=0-5-8
 Max Horz 14=-220(LC 8)
 Max Uplift 14=-237(LC 12), 9=-252(LC 13)
 Max Grav 14=1340(LC 19), 9=1354(LC 20)

FORCES. (lb) - Max. Comp./Max. Ten. - All forces 250 (lb) or less except when shown.
 TOP CHORD 1-3=-1558/293, 3-4=-1304/324, 4-5=-1272/329, 5-7=-1825/383, 7-9=-1955/385, 1-14=-1224/255
 BOT CHORD 13-14=-205/259, 12-13=-271/1423, 10-12=-164/1397, 9-10=-255/1607
 WEBS 3-12=-422/224, 4-12=-190/942, 5-12=-642/266, 5-10=-75/459, 1-13=-169/1239

- NOTES-**
- Unbalanced roof live loads have been considered for this design.
 - Wind: ASCE 7-16; Vult=130mph (3-second gust) Vasd=101mph; TCDL=4.2psf; BCDL=3.0psf; h=22ft; Cat. II; Exp B; Encl., GCpi=0.18; MWFRS (envelope) gable end zone and C-C Exterior(2E) 0-1-12 to 3-3-12, Interior(1) 3-3-12 to 14-8-12, Exterior(2R) 14-8-12 to 17-10-12, Interior(1) 17-10-12 to 31-8-0 zone;C-C for members and forces & MWFRS for reactions shown; Lumber DOL=1.60 plate grip DOL=1.60
 - Building Designer / Project engineer responsible for verifying applied roof live load shown covers rain loading requirements specific to the use of this truss component.
 - This truss has been designed for a 10.0 psf bottom chord live load nonconcurrent with any other live loads.
 - * This truss has been designed for a live load of 20.0psf on the bottom chord in all areas where a rectangle 3-6-0 tall by 2-0-0 wide will fit between the bottom chord and any other members, with BCDL = 10.0psf.
 - Provide mechanical connection (by others) of truss to bearing plate capable of withstanding 100 lb uplift at joint(s) except (jt=lb) 14=237, 9=252.

This item has been electronically signed and sealed by ORegan, Philip, PE using a Digital Signature. Printed copies of this document are not considered signed and sealed and the signature must be verified on any electronic copies.

Philip J. O'Regan PE No.58126
 MiTek USA, Inc. FL Cert 6634
 6904 Parke East Blvd. Tampa FL 33610
 Date:

August 3,2021

WARNING - Verify design parameters and READ NOTES ON THIS AND INCLUDED MITEK REFERENCE PAGE MII-7473 rev. 5/19/2020 BEFORE USE.
 Design valid for use only with MiTek® connectors. This design is based only upon parameters shown, and is for an individual building component, not a truss system. Before use, the building designer must verify the applicability of design parameters and properly incorporate this design into the overall building design. Bracing indicated is to prevent buckling of individual truss web and/or chord members only. Additional temporary and permanent bracing is always required for stability and to prevent collapse with possible personal injury and property damage. For general guidance regarding the fabrication, storage, delivery, erection and bracing of trusses and truss systems, see **ANSI/TPI1 Quality Criteria, DSB-89 and BCSI Building Component Safety Information** available from Truss Plate Institute, 2670 Crain Highway, Suite 203 Waldorf, MD 20601

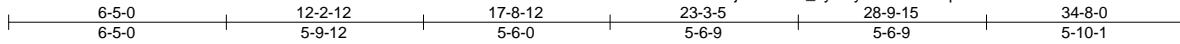


Job 2868120	Truss T05	Truss Type Common	Qty 1	Ply 1	AMIRA BLDRS. - HICKS RES.	T24891409
----------------	--------------	----------------------	----------	----------	---------------------------	-----------

Builders FirstSource (Lake City,FL), Lake City, FL - 32055,

8.430 s Jun 2 2021 MiTek Industries, Inc. Mon Aug 2 15:33:15 2021 Page 1

ID:OGVM30uikhC8Ej8DWD31_JyuDyN-hWvAovhqSbVIKmdCGWb46EKR7C4iRev4fPF6boJyrrTo



Scale = 1:67.9

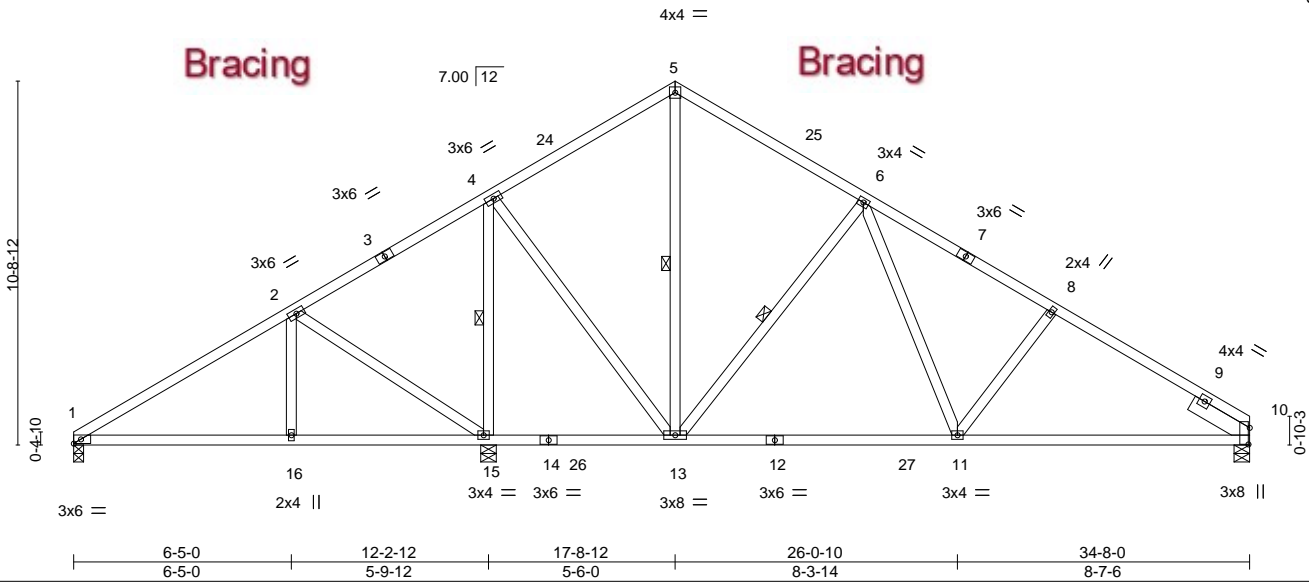


Plate Offsets (X,Y)-- [10:0-5-14,0-0-7]

LOADING (psf)	SPACING-	2-0-0	CSI.	DEFL.	in (loc)	l/defl	L/d	PLATES	GRIP
TCLL 20.0	Plate Grip DOL	1.25	TC 0.40	Vert(LL)	-0.18 11-13	>999	240	MT20	244/190
TCDL 7.0	Lumber DOL	1.25	BC 0.70	Vert(CT)	-0.28 11-13	>971	180		
BCLL 0.0 *	Rep Stress Incr	YES	WB 0.49	Horz(CT)	0.02 10	n/a	n/a		
BCDL 10.0	Code FBC2020/TPI2014		Matrix-MS					Weight: 201 lb	FT = 20%

LUMBER-	BRACING-
TOP CHORD 2x4 SP No.2	TOP CHORD Structural wood sheathing directly applied or 5-3-3 oc purlins.
BOT CHORD 2x4 SP No.2	BOT CHORD Rigid ceiling directly applied or 10-0-0 oc bracing, Except:
WEBS 2x4 SP No.3	6-0-0 oc bracing: 13-15.
SLIDER Right 2x6 SP No.2 1-11-8	WEBS 1 Row at midpt 4-15, 5-13, 6-13

REACTIONS. (size) 1=0-3-8, 15=0-5-8, 10=0-5-8
 Max Horz 1=233(LC 9)
 Max Uplift 1=-71(LC 9), 15=-338(LC 12), 10=-194(LC 13)
 Max Grav 1=369(LC 23), 15=1675(LC 2), 10=915(LC 20)

FORCES. (lb) - Max. Comp./Max. Ten. - All forces 250 (lb) or less except when shown.
 TOP CHORD 1-2=-396/294, 2-4=-89/379, 4-5=-444/221, 5-6=-421/198, 6-8=-1077/290,
 8-10=-1199/286
 BOT CHORD 1-16=-225/297, 15-16=-225/297, 13-15=-294/192, 11-13=-29/628, 10-11=-173/978
 WEBS 2-16=-285/271, 2-15=-531/469, 4-15=-1224/285, 4-13=-102/850, 6-13=-663/271,
 6-11=-103/569

- NOTES-**
- Unbalanced roof live loads have been considered for this design.
 - Wind: ASCE 7-16; Vult=130mph (3-second gust) Vasd=101mph; TCDL=4.2psf; BCDL=3.0psf; h=22ft; Cat. II; Exp B; Encl., GCpi=0.18; MWFRS (envelope) gable end zone and C-C Exterior(2E) 0-0-0 to 3-5-10, Interior(1) 3-5-10 to 17-8-12, Exterior(2R) 17-8-12 to 21-2-6, Interior(1) 21-2-6 to 34-8-0 zone; porch left exposed; C-C for members and forces & MWFRS for reactions shown; Lumber DOL=1.60 plate grip DOL=1.60
 - Building Designer / Project engineer responsible for verifying applied roof live load shown covers rain loading requirements specific to the use of this truss component.
 - This truss has been designed for a 10.0 psf bottom chord live load nonconcurrent with any other live loads.
 - * This truss has been designed for a live load of 20.0psf on the bottom chord in all areas where a rectangle 3-6-0 tall by 2-0-0 wide will fit between the bottom chord and any other members, with BCDL = 10.0psf.
 - Provide mechanical connection (by others) of truss to bearing plate capable of withstanding 100 lb uplift at joint(s) 1 except (jt=lb) 15=338, 10=194.

This item has been electronically signed and sealed by O'Regan, Philip, PE using a Digital Signature. Printed copies of this document are not considered signed and sealed and the signature must be verified on any electronic copies.

Philip J. O'Regan PE No.58126
 MiTek USA, Inc. FL Cert 6634
 6904 Parke East Blvd. Tampa FL 33610
 Date:

August 3,2021

WARNING - Verify design parameters and READ NOTES ON THIS AND INCLUDED MITEK REFERENCE PAGE MII-7473 rev. 5/19/2020 BEFORE USE.
 Design valid for use only with MiTek® connectors. This design is based only upon parameters shown, and is for an individual building component, not a truss system. Before use, the building designer must verify the applicability of design parameters and properly incorporate this design into the overall building design. Bracing indicated is to prevent buckling of individual truss web and/or chord members only. Additional temporary and permanent bracing is always required for stability and to prevent collapse with possible personal injury and property damage. For general guidance regarding the fabrication, storage, delivery, erection and bracing of trusses and truss systems, see **ANSI/TPI1 Quality Criteria, DSB-89 and BCSI Building Component Safety Information** available from Truss Plate Institute, 2670 Crain Highway, Suite 203 Waldorf, MD 20601

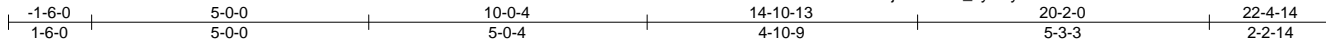
6904 Parke East Blvd.
 Tampa, FL 33610

Job 2868120	Truss T06	Truss Type Half Hip Girder	Qty 1	Ply 1	AMIRA BLDRS. - HICKS RES. Job Reference (optional)	T24891410
----------------	--------------	-------------------------------	----------	----------	---	-----------

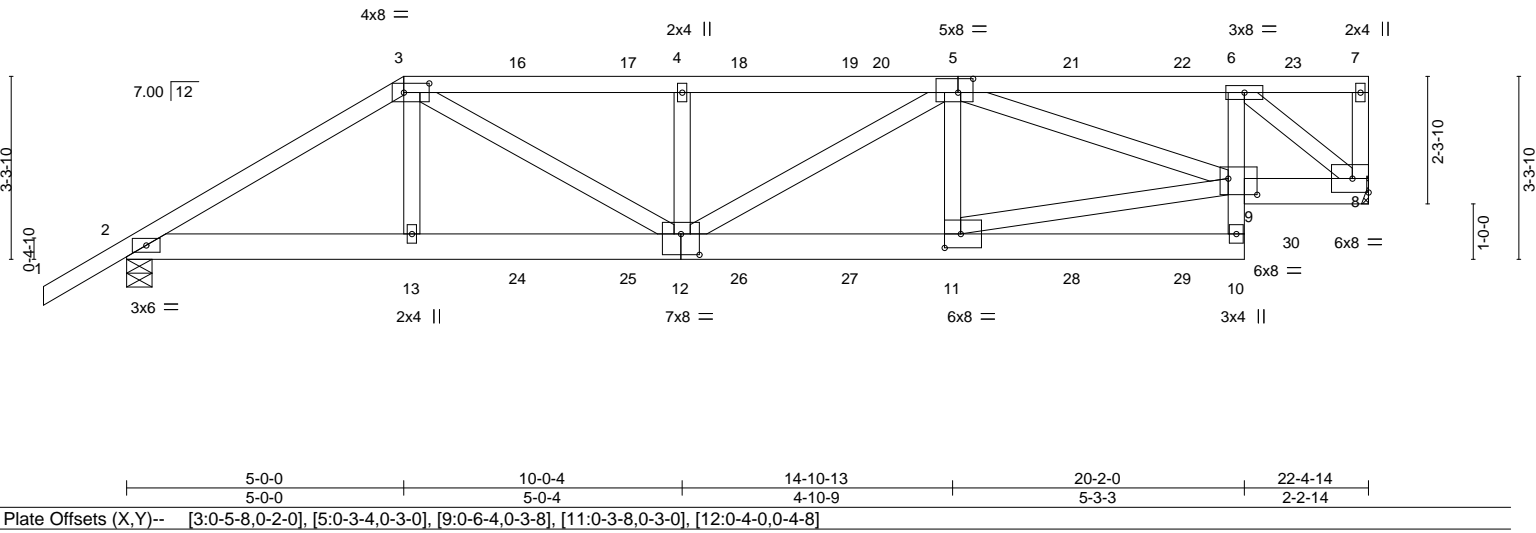
Builders FirstSource (Lake City,FL), Lake City, FL - 32055,

8.430 s Jun 2 2021 MiTek Industries, Inc. Mon Aug 2 15:33:17 2021 Page 1

ID:OGVM30uikhC8Ej8DWD31_JyuDyN-dulYKNri76Z2?wLed?6aJlWQwuMz6kOytZbisCyrTm



Scale = 1:41.6



LOADING (psf)	SPACING-	CSI.	DEFL.	PLATES	GRIP
TCLL 20.0	Plate Grip DOL 1.25	TC 0.58	Vert(LL) 0.12 11-12 >999 240	MT20	244/190
TCDL 7.0	Lumber DOL 1.25	BC 0.79	Vert(CT) -0.20 11-12 >999 180		
BCLL 0.0 *	Rep Stress Incr NO	WB 0.82	Horz(CT) 0.04 8 n/a n/a		
BCDL 10.0	Code FBC2020/TPI2014	Matrix-MS		Weight: 141 lb	FT = 20%

LUMBER-	BRACING-
TOP CHORD 2x4 SP No.2	TOP CHORD Structural wood sheathing directly applied or 3-0-13 oc purlins, except end verticals.
BOT CHORD 2x6 SP No.2 *Except* 6-10: 2x4 SP No.3	BOT CHORD Rigid ceiling directly applied or 7-8-6 oc bracing.
WEBS 2x4 SP No.3	

REACTIONS. (size) 8=Mechanical, 2=0-5-8
 Max Horz 2=130(LC 23)
 Max Uplift 8=-529(LC 5), 2=-498(LC 8)
 Max Grav 8=1376(LC 1), 2=1368(LC 1)

FORCES. (lb) - Max. Comp./Max. Ten. - All forces 250 (lb) or less except when shown.
 TOP CHORD 2-3=-2262/839, 3-4=-2661/1040, 4-5=-2665/1042, 5-6=-1489/598
 BOT CHORD 2-13=-760/1901, 12-13=-763/1918, 11-12=-926/2378, 10-11=-100/283, 6-9=-297/922,
 8-9=-577/1461
 WEBS 3-13=-65/427, 3-12=-411/861, 4-12=-436/277, 5-12=-175/333, 5-11=-265/205,
 9-11=-852/2152, 5-9=-954/362, 6-8=-1884/747

- NOTES-**
- 1) Wind: ASCE 7-16; Vult=130mph (3-second gust) Vasd=101mph; TCCL=4.2psf; BCDL=3.0psf; h=22ft; Cat. II; Exp B; Encl., GCpi=0.18; MWFRS (envelope) gable end zone; Lumber DOL=1.60 plate grip DOL=1.60
 - 2) Building Designer / Project engineer responsible for verifying applied roof live load shown covers rain loading requirements specific to the use of this truss component.
 - 3) Provide adequate drainage to prevent water ponding.
 - 4) This truss has been designed for a 10.0 psf bottom chord live load nonconcurrent with any other live loads.
 - 5) * This truss has been designed for a live load of 20.0psf on the bottom chord in all areas where a rectangle 3-6-0 tall by 2-0-0 wide will fit between the bottom chord and any other members.
 - 6) Refer to girder(s) for truss to truss connections.
 - 7) Provide mechanical connection (by others) of truss to bearing plate capable of withstanding 100 lb uplift at joint(s) except (jt=lb) 8=529, 2=498.
 - 8) Hanger(s) or other connection device(s) shall be provided sufficient to support concentrated load(s) 98 lb down and 82 lb up at 5-0-0, 98 lb down and 80 lb up at 7-0-12, 98 lb down and 80 lb up at 9-0-12, 98 lb down and 80 lb up at 11-0-12, 98 lb down and 77 lb up at 13-0-12, 98 lb down and 80 lb up at 15-0-12, 98 lb down and 80 lb up at 17-0-12, and 98 lb down and 80 lb up at 19-0-12, and 79 lb down and 55 lb up at 21-0-12 on top chord, and 189 lb down and 89 lb up at 5-0-0, 49 lb down and 15 lb up at 7-0-12, 49 lb down and 15 lb up at 9-0-12, 49 lb down and 15 lb up at 11-0-12, 49 lb down and 15 lb up at 13-0-12, 49 lb down and 15 lb up at 15-0-12, 49 lb down and 15 lb up at 17-0-12, and 49 lb down and 15 lb up at 19-0-12, and 86 lb down and 40 lb up at 21-0-12 on bottom chord. The design/selection of such connection device(s) is the responsibility of others.
 - 9) In the LOAD CASE(S) section, loads applied to the face of the truss are noted as front (F) or back (B).

This item has been electronically signed and sealed by ORegan, Philip, PE using a Digital Signature. Printed copies of this document are not considered signed and sealed and the signature must be verified on any electronic copies.

Philip J. O'Regan PE No.58126
 MiTek USA, Inc. FL Cert 6634
 6904 Parke East Blvd. Tampa FL 33610
 Date:

August 3,2021

LOAD CASE(S) Standard

Continued on page 2

WARNING - Verify design parameters and READ NOTES ON THIS AND INCLUDED MITEK REFERENCE PAGE MII-7473 rev. 5/19/2020 BEFORE USE.
 Design valid for use only with MiTek® connectors. This design is based only upon parameters shown, and is for an individual building component, not a truss system. Before use, the building designer must verify the applicability of design parameters and properly incorporate this design into the overall building design. Bracing indicated is to prevent buckling of individual truss web and/or chord members only. Additional temporary and permanent bracing is always required for stability and to prevent collapse with possible personal injury and property damage. For general guidance regarding the fabrication, storage, delivery, erection and bracing of trusses and truss systems, see **ANSI/TPI1 Quality Criteria, DSB-89 and BCSI Building Component Safety Information** available from Truss Plate Institute, 2670 Crain Highway, Suite 203 Waldorf, MD 20601



6904 Parke East Blvd.
 Tampa, FL 33610

Job 2868120	Truss T06	Truss Type Half Hip Girder	Qty 1	Ply 1	AMIRA BLDRS. - HICKS RES. Job Reference (optional)	T24891410
----------------	--------------	-------------------------------	----------	----------	---	-----------

Builders FirstSource (Lake City,FL), Lake City, FL - 32055,

8.430 s Jun 2 2021 MiTek Industries, Inc. Mon Aug 2 15:33:17 2021 Page 2
ID:OGVM30uikhC8Ej8DWD31_JyuDyN-dulYKNri76ZZ?wLed?6aJlWQwuMZ6kOytZbisCyrTm

LOAD CASE(S) Standard

1) Dead + Roof Live (balanced): Lumber Increase=1.25, Plate Increase=1.25

Uniform Loads (plf)

Vert: 1-3=-54, 3-7=-54, 2-10=-20, 8-9=-20

Concentrated Loads (lb)

Vert: 3=-59(B) 13=-168(B) 5=-59(B) 11=-38(B) 16=-59(B) 17=-59(B) 18=-59(B) 19=-59(B) 21=-59(B) 22=-59(B) 23=-29(B) 24=-38(B) 25=-38(B) 26=-38(B) 27=-38(B) 28=-38(B) 29=-38(B) 30=-84(B)

WARNING - Verify design parameters and READ NOTES ON THIS AND INCLUDED MITEK REFERENCE PAGE MII-7473 rev. 5/19/2020 BEFORE USE.

Design valid for use only with MiTek® connectors. This design is based only upon parameters shown, and is for an individual building component, not a truss system. Before use, the building designer must verify the applicability of design parameters and properly incorporate this design into the overall building design. Bracing indicated is to prevent buckling of individual truss web and/or chord members only. Additional temporary and permanent bracing is always required for stability and to prevent collapse with possible personal injury and property damage. For general guidance regarding the fabrication, storage, delivery, erection and bracing of trusses and truss systems, see **ANSI/TPI1 Quality Criteria, DSB-89 and BCSI Building Component Safety Information** available from Truss Plate Institute, 2670 Crain Highway, Suite 203 Waldorf, MD 20601

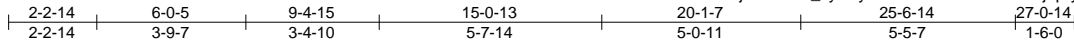


6904 Parke East Blvd.
Tampa, FL 36610

Job 2868120	Truss T07	Truss Type Piggyback Base	Qty 3	Ply 1	AMIRA BLDRS. - HICKS RES. Job Reference (optional)	T24891411
----------------	--------------	------------------------------	----------	----------	---	-----------

Builders FirstSource (Lake City,FL), Lake City, FL - 32055,

8.430 s Jun 2 2021 MiTek Industries, Inc. Mon Aug 2 15:33:18 2021 Page 1
ID:OGVM30uikhC8Ej8DWD31_JyuDyN-55rwYisKuQhvd4wrBjdp3dv1j1r1965DKFOeyrrTI



Scale = 1:58.5

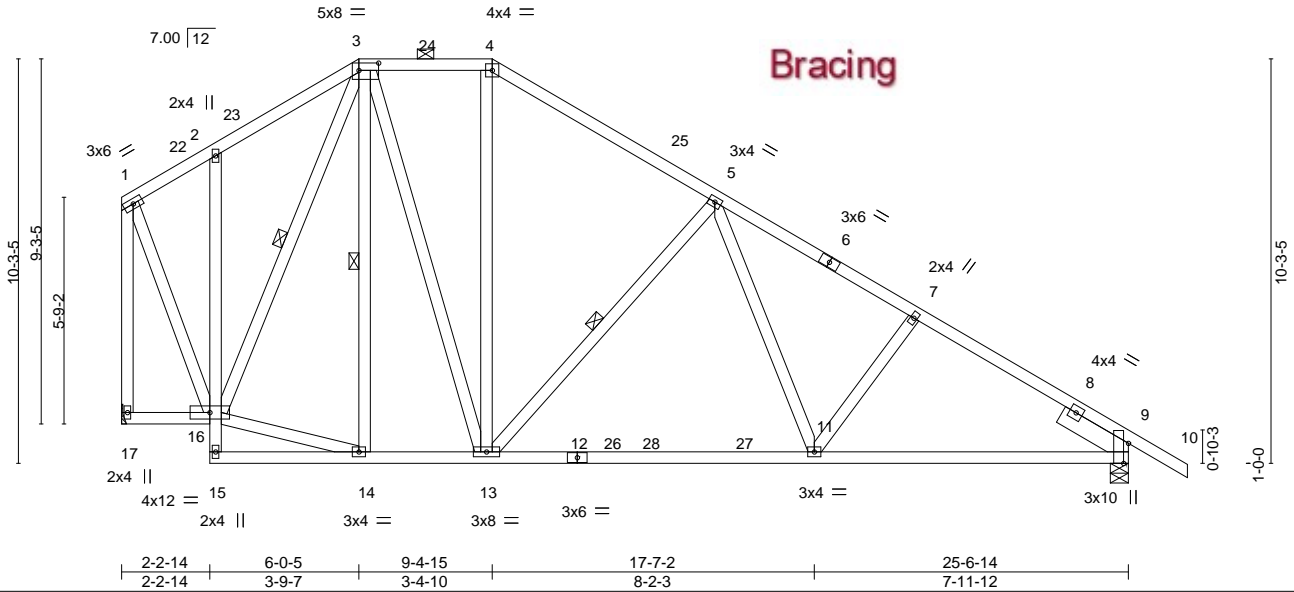


Plate Offsets (X,Y)-- [3:0-6-0,0-2-4], [9:0-6-2,Edge]

LOADING (psf)	SPACING-	2-0-0	CSI.	DEFL.	in (loc)	l/defl	L/d	PLATES	GRIP
TCLL 20.0	Plate Grip DOL	1.25	TC 0.50	Vert(LL)	-0.18 11-13	>999	240	MT20	244/190
TCDL 7.0	Lumber DOL	1.25	BC 0.71	Vert(CT)	-0.31 11-13	>989	180		
BCLL 0.0 *	Rep Stress Incr	YES	WB 0.34	Horz(CT)	0.04 9	n/a	n/a		
BCDL 10.0	Code FBC2020/TPI2014		Matrix-MS					Weight: 209 lb	FT = 20%

LUMBER-
TOP CHORD 2x4 SP No.2
BOT CHORD 2x4 SP No.2 *Except*
2-15: 2x4 SP No.3
WEBS 2x4 SP No.3
SLIDER Right 2x6 SP No.2 1-11-8

BRACING-
TOP CHORD Structural wood sheathing directly applied or 4-0-6 oc purlins, except end verticals, and 2-0-0 oc purlins (6-0-0 max.): 3-4.
BOT CHORD Rigid ceiling directly applied or 10-0-0 oc bracing.
WEBS 1 Row at midpt 3-16, 3-14, 5-13

REACTIONS. (size) 17=Mechanical, 9=0-5-8
Max Horz 17=-291(LC 13)
Max Uplift 17=-202(LC 13), 9=-248(LC 13)
Max Grav 17=1023(LC 2), 9=1165(LC 20)

FORCES. (lb) - Max. Comp./Max. Ten. - All forces 250 (lb) or less except when shown.
TOP CHORD 1-2=-375/90, 2-3=-407/163, 3-4=-647/247, 4-5=-803/237, 5-7=-1398/322,
7-9=-1501/315, 1-17=-968/208
BOT CHORD 16-17=-160/291, 13-14=-38/530, 11-13=-55/967, 9-11=-172/1219
WEBS 14-16=-39/495, 3-16=-483/165, 3-13=-162/592, 5-13=-618/257, 5-11=-80/471,
1-16=-170/813

- NOTES-**
- Unbalanced roof live loads have been considered for this design.
 - Wind: ASCE 7-16; Vult=130mph (3-second gust) Vasd=101mph; TCDL=4.2psf; BCDL=3.0psf; h=22ft; Cat. II; Exp B; Encl., GCpi=0.18; MWFRS (envelope) gable end zone and C-C Exterior(2E) 0-1-12 to 3-1-12, Interior(1) 3-1-12 to 6-0-5, Exterior(2E) 6-0-5 to 9-4-15, Exterior(2R) 9-4-15 to 13-7-14, Interior(1) 13-7-14 to 27-0-14 zone;C-C for members and forces & MWFRS for reactions shown; Lumber DOL=1.60 plate grip DOL=1.60
 - Building Designer / Project engineer responsible for verifying applied roof live load shown covers rain loading requirements specific to the use of this truss component.
 - Provide adequate drainage to prevent water ponding.
 - This truss has been designed for a 10.0 psf bottom chord live load nonconcurrent with any other live loads.
 - * This truss has been designed for a live load of 20.0psf on the bottom chord in all areas where a rectangle 3-6-0 tall by 2-0-0 wide will fit between the bottom chord and any other members, with BCDL = 10.0psf.
 - Refer to girder(s) for truss to truss connections.
 - Provide mechanical connection (by others) of truss to bearing plate capable of withstanding 100 lb uplift at joint(s) except (jt=lb) 17=202, 9=248.
 - Graphical purlin representation does not depict the size or the orientation of the purlin along the top and/or bottom chord.

This item has been electronically signed and sealed by ORegan, Philip, PE using a Digital Signature. Printed copies of this document are not considered signed and sealed and the signature must be verified on any electronic copies.

Philip J. O'Regan PE No.58126
MiTek USA, Inc. FL Cert 6634
6904 Parke East Blvd. Tampa FL 33610
Date:

August 3,2021

WARNING - Verify design parameters and READ NOTES ON THIS AND INCLUDED MITEK REFERENCE PAGE MII-7473 rev. 5/19/2020 BEFORE USE.

Design valid for use only with MiTek® connectors. This design is based only upon parameters shown, and is for an individual building component, not a truss system. Before use, the building designer must verify the applicability of design parameters and properly incorporate this design into the overall building design. Bracing indicated is to prevent buckling of individual truss web and/or chord members only. Additional temporary and permanent bracing is always required for stability and to prevent collapse with possible personal injury and property damage. For general guidance regarding the fabrication, storage, delivery, erection and bracing of trusses and truss systems, see

ANSI/TPI1 Quality Criteria, DSB-89 and BCSI Building Component

Safety Information available from Truss Plate Institute, 2670 Crain Highway, Suite 203 Waldorf, MD 20601



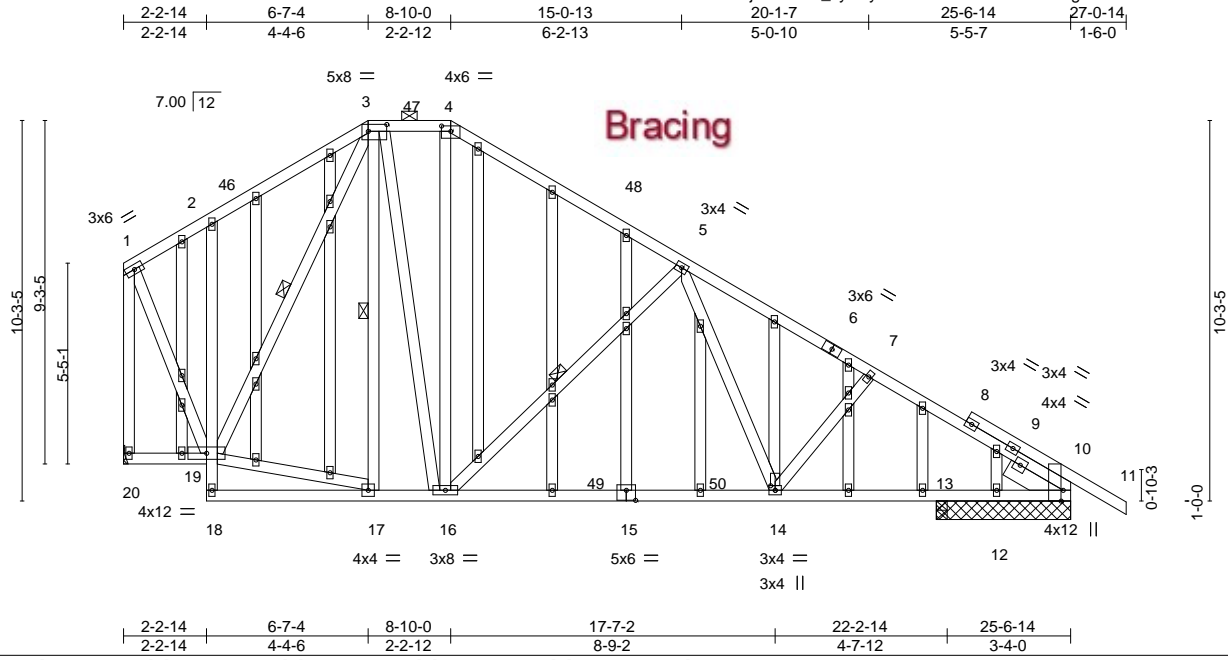
6904 Parke East Blvd.
Tampa, FL 33610

Job 2868120	Truss T07G	Truss Type GABLE	Qty 1	Ply 1	AMIRA BLDRS. - HICKS RES. Job Reference (optional)	T24891412
----------------	---------------	---------------------	----------	----------	---	-----------

Builders FirstSource (Lake City,FL), Lake City, FL - 32055,

8,430 s Jun 2 2021 MiTek Industries, Inc. Mon Aug 2 15:33:20 2021 Page 1

ID:OGVM30uihkC8Ej8DWD31_JyuDyN-2TzhzOuaP1xdsO4DJ8gHxN8?D5O0JD6PZXPMTWYrrTJ



Scale = 1:62.2

Plate Offsets (X,Y)-- [3:0-6-0,0-2-4], [4:0-3-0,0-1-12], [10:0-3-8,Edge], [14:0-1-8,0-1-8], [15:0-3-0,0-3-4]

LOADING (psf)	SPACING-	2-0-0	CSI.	DEFL.	in (loc)	l/defl	L/d	PLATES	GRIP
TCLL 20.0	Plate Grip DOL	1.25	TC 0.38	Vert(LL)	-0.22 14-16	>999	240	MT20	244/190
TCDL 7.0	Lumber DOL	1.25	BC 0.80	Vert(CT)	-0.38 14-16	>694	180		
BCLL 0.0 *	Rep Stress Incr	YES	WB 0.31	Horz(CT)	0.03 10	n/a	n/a		
BCDL 10.0	Code FBC2020/TPI2014		Matrix-MS					Weight: 302 lb	FT = 20%

LUMBER-	BRACING-
TOP CHORD 2x4 SP No.2	TOP CHORD Structural wood sheathing directly applied or 4-9-11 oc purlins, except end verticals, and 2-0-0 oc purlins (6-0-0 max.): 3-4.
BOT CHORD 2x4 SP No.2 *Except* 2-18: 2x4 SP No.3	BOT CHORD Rigid ceiling directly applied or 10-0-0 oc bracing.
WEBS 2x4 SP No.3	WEBS 1 Row at midpt 3-19, 3-17, 5-16
OTHERS 2x4 SP No.3	
SLIDER Right 2x6 SP No.2 1-7-6	

REACTIONS. All bearings 3-7-8 except (jt=length) 20=Mechanical, 13=0-3-8.
 (lb) - Max Horz 20=-286(LC 13)
 Max Uplift All uplift 100 lb or less at joint(s) except 20=-198(LC 13), 10=-274(LC 13), 12=-199(LC 1)
 Max Grav All reactions 250 lb or less at joint(s) 12, 13 except 20=1010(LC 20), 10=1281(LC 20)

FORCES. (lb) - Max. Comp./Max. Ten. - All forces 250 (lb) or less except when shown.
 TOP CHORD 1-2=-388/92, 2-3=-438/177, 3-4=-627/240, 4-5=-784/223, 5-7=-1438/321,
 7-10=-1564/320, 1-20=-957/204
 BOT CHORD 19-20=-164/285, 16-17=-27/545, 14-16=-69/984, 13-14=-187/1274, 12-13=-187/1274,
 10-12=-185/1299
 WEBS 17-19=-30/498, 3-19=-471/148, 3-16=-157/638, 5-16=-638/268, 5-14=-70/477,
 1-19=-169/812


- NOTES-**
- 1) Unbalanced roof live loads have been considered for this design.
 - 2) Wind: ASCE 7-16; Vult=130mph (3-second gust) Vasd=101mph; TCDL=4.2psf; BCDL=3.0psf; h=22ft; Cat. II; Exp B; Encl., GCpi=0.18; MWFRS (envelope) gable end zone and C-C Exterior(2E) 0-1-12 to 3-1-12, Interior(1) 3-1-12 to 6-7-4, Exterior(2E) 6-7-4 to 8-10-0, Exterior(2R) 8-10-0 to 13-0-15, Interior(1) 13-0-15 to 27-0-14 zone; C-C for members and forces & MWFRS for reactions shown; Lumber DOL=1.60 plate grip DOL=1.60
 - 3) Truss designed for wind loads in the plane of the truss only. For studs exposed to wind (normal to the face), see Standard Industry Gable End Details as applicable, or consult qualified building designer as per ANSI/TPI 1.
 - 4) Building Designer / Project engineer responsible for verifying applied roof live load shown covers rain loading requirements specific to the use of this truss component.
 - 5) Provide adequate drainage to prevent water ponding.
 - 6) All plates are 2x4 MT20 unless otherwise indicated.
 - 7) Gable studs spaced at 2-0-0 oc.
 - 8) This truss has been designed for a 10.0 psf bottom chord live load nonconcurrent with any other live loads.
 - 9) * This truss has been designed for a live load of 20.0psf on the bottom chord in all areas where a rectangle 3-6-0 tall by 2-0-0 wide will fit between the bottom chord and any other members, with BCDL = 10.0psf.
 - 10) Refer to girder(s) for truss to truss connections.
 - 11) Provide mechanical connection (by others) of truss to bearing plate capable of withstanding 198 lb uplift at joint 20, 274 lb uplift at joint 10 and 199 lb uplift at joint 12.

This item has been electronically signed and sealed by ORegan, Philip, PE using a Digital Signature. Printed copies of this document are not considered signed and sealed and the signature must be verified on any electronic copies.

Philip J. O'Regan PE No.58126
 MiTek USA, Inc. FL Cert 6634
 6904 Parke East Blvd. Tampa FL 33610
 Date:

August 3,2021

WARNING - Verify design parameters and READ NOTES ON THIS AND INCLUDED MITEK REFERENCE PAGE MII-7473 rev. 5/19/2020 BEFORE USE.
 Design valid for use only with MiTek® connectors. This design is based only upon parameters shown, and is for an individual building component, not a truss system. Before use, the building designer must verify the applicability of design parameters and properly incorporate this design into the overall building design. Bracing indicated is to prevent buckling of individual truss web and/or chord members only. Additional temporary and permanent bracing is always required for stability and to prevent collapse with possible personal injury and property damage. For general guidance regarding the fabrication, storage, delivery, erection and bracing of trusses and truss systems, see **ANSI/TPI1 Quality Criteria, DSB-89 and BCSI Building Component Safety Information** available from Truss Plate Institute, 2670 Crain Highway, Suite 203 Waldorf, MD 20601



6904 Parke East Blvd.
 Tampa, FL 33610

Job 2868120	Truss T07G	Truss Type GABLE	Qty 1	Ply 1	AMIRA BLDRS. - HICKS RES. T24891412
----------------	---------------	---------------------	----------	----------	--

Builders FirstSource (Lake City,FL), Lake City, FL - 32055,

8.430 s Jun 2 2021 MiTek Industries, Inc. Mon Aug 2 15:33:20 2021 Page 2
ID:OGVM30uikhC8Ej8DWD31_JyuDyN-2TzhzOuaP1xdsO4DJ8gHxN8?D5O0JD6PZXpMTWyrrTJ

NOTES-

12) Graphical purlin representation does not depict the size or the orientation of the purlin along the top and/or bottom chord.

WARNING - Verify design parameters and READ NOTES ON THIS AND INCLUDED MITEK REFERENCE PAGE MII-7473 rev. 5/19/2020 BEFORE USE.

Design valid for use only with MiTek® connectors. This design is based only upon parameters shown, and is for an individual building component, not a truss system. Before use, the building designer must verify the applicability of design parameters and properly incorporate this design into the overall building design. Bracing indicated is to prevent buckling of individual truss web and/or chord members only. Additional temporary and permanent bracing is always required for stability and to prevent collapse with possible personal injury and property damage. For general guidance regarding the fabrication, storage, delivery, erection and bracing of trusses and truss systems, see **ANSI/TPI1 Quality Criteria, DSB-89 and BCSI Building Component Safety Information** available from Truss Plate Institute, 2670 Crain Highway, Suite 203 Waldorf, MD 20601



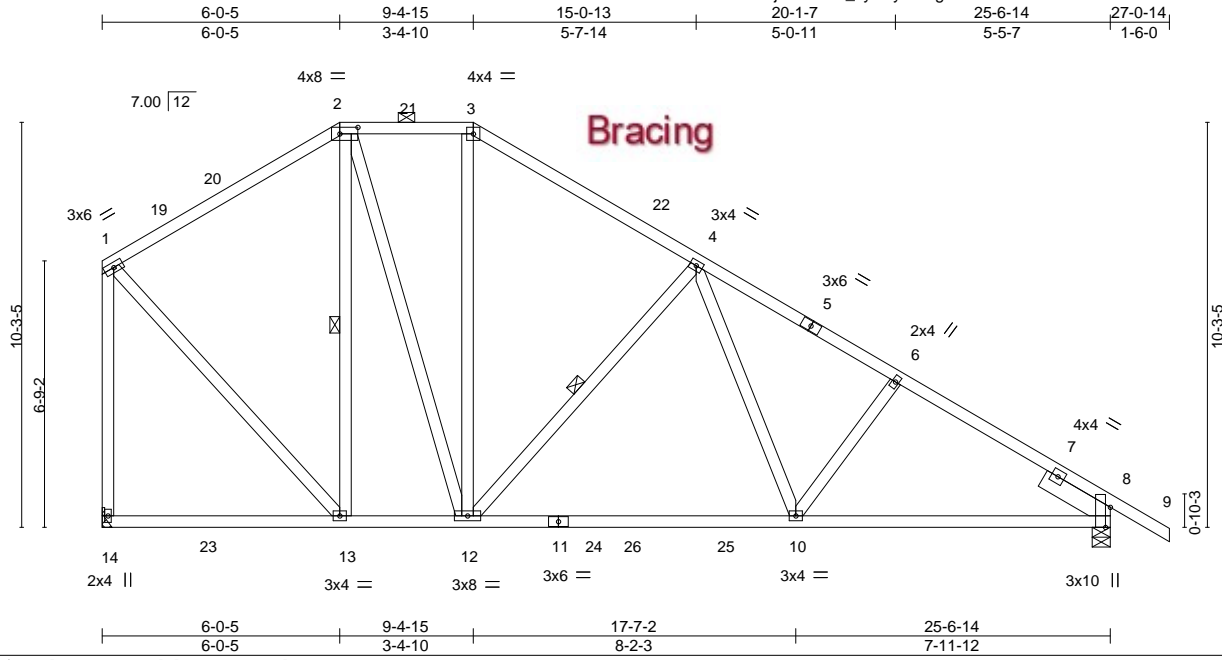
6904 Parke East Blvd.
Tampa, FL 36610

Job 2868120	Truss T08	Truss Type Piggyback Base	Qty 2	Ply 1	AMIRA BLDRS. - HICKS RES. Job Reference (optional)	T24891413
----------------	--------------	------------------------------	----------	----------	---	-----------

Builders FirstSource (Lake City,FL), Lake City, FL - 32055,

8.430 s Jun 2 2021 MiTek Industries, Inc. Mon Aug 2 15:33:21 2021 Page 1

ID:OGVM30uikhC8Ej8DWD31_JyuDyN-WgX3AkuCAL3UUyYQsrBWTbh1zVlW2fbYoAZv?zyrrTi



Scale = 1:58.4

Plate Offsets (X,Y)-- [2:0-5-8,0-2-0], [8:0-6-2,Edge]

LOADING (psf)	SPACING-	2-0-0	CSI.	DEFL.	in (loc)	l/defl	L/d	PLATES	GRIP
TCLL 20.0	Plate Grip DOL	1.25	TC 0.96	Vert(LL)	-0.19 10-12	>999	240	MT20	244/190
TCDL 7.0	Lumber DOL	1.25	BC 0.72	Vert(CT)	-0.32 10-12	>950	180		
BCLL 0.0 *	Rep Stress Incr	YES	WB 0.36	Horz(CT)	0.04 8	n/a	n/a		
BCDL 10.0	Code FBC2020/TPI2014		Matrix-MS					Weight: 184 lb	FT = 20%

LUMBER-
TOP CHORD 2x4 SP No.2
BOT CHORD 2x4 SP No.2
WEBS 2x4 SP No.3
SLIDER Right 2x6 SP No.2 1-11-8

BRACING-
TOP CHORD Structural wood sheathing directly applied or 4-0-2 oc purlins, except end verticals, and 2-0-0 oc purlins (6-0-0 max.): 2-3.
BOT CHORD Rigid ceiling directly applied or 10-0-0 oc bracing.
WEBS 1 Row at midpt 2-13, 4-12

REACTIONS. (size) 14=Mechanical, 8=0-5-8
Max Horz 14=-291(LC 13)
Max Uplift 14=-214(LC 13), 8=-236(LC 13)
Max Grav 14=1058(LC 2), 8=1163(LC 20)

FORCES. (lb) - Max. Comp./Max. Ten. - All forces 250 (lb) or less except when shown.
TOP CHORD 1-2=-633/177, 2-3=-640/228, 3-4=-800/215, 4-6=-1394/303, 6-8=-1497/295, 1-14=-930/230
BOT CHORD 13-14=-157/289, 12-13=-45/560, 10-12=-37/970, 8-10=-156/1215
WEBS 2-13=-387/139, 2-12=-172/549, 4-12=-621/259, 4-10=-82/474, 1-13=-155/720

- NOTES-**
- Unbalanced roof live loads have been considered for this design.
 - Wind: ASCE 7-16; Vult=130mph (3-second gust) Vasd=101mph; TCDL=4.2psf; BCDL=3.0psf; h=22ft; Cat. II; Exp B; Encl., GCpi=0.18; MWFRS (envelope) gable end zone and C-C Exterior(2E) 0-1-12 to 3-1-12, Interior(1) 3-1-12 to 6-0-5, Exterior(2E) 6-0-5 to 9-4-15, Exterior(2R) 9-4-15 to 13-7-14, Interior(1) 13-7-14 to 27-0-14 zone; C-C for members and forces & MWFRS for reactions shown; Lumber DOL=1.60 plate grip DOL=1.60
 - Building Designer / Project engineer responsible for verifying applied roof live load shown covers rain loading requirements specific to the use of this truss component.
 - Provide adequate drainage to prevent water ponding.
 - This truss has been designed for a 10.0 psf bottom chord live load nonconcurrent with any other live loads.
 - * This truss has been designed for a live load of 20.0psf on the bottom chord in all areas where a rectangle 3-6-0 tall by 2-0-0 wide will fit between the bottom chord and any other members, with BCDL = 10.0psf.
 - Refer to girder(s) for truss to truss connections.
 - Provide mechanical connection (by others) of truss to bearing plate capable of withstanding 214 lb uplift at joint 14 and 236 lb uplift at joint 8.
 - Graphical purlin representation does not depict the size or the orientation of the purlin along the top and/or bottom chord.

This item has been electronically signed and sealed by O'Regan, Philip, PE using a Digital Signature. Printed copies of this document are not considered signed and sealed and the signature must be verified on any electronic copies.

Philip J. O'Regan PE No.58126
MiTek USA, Inc. FL Cert 6634
6904 Parke East Blvd. Tampa FL 33610
Date:

August 3,2021

WARNING - Verify design parameters and READ NOTES ON THIS AND INCLUDED MITEK REFERENCE PAGE MII-7473 rev. 5/19/2020 BEFORE USE.

Design valid for use only with MiTek® connectors. This design is based only upon parameters shown, and is for an individual building component, not a truss system. Before use, the building designer must verify the applicability of design parameters and properly incorporate this design into the overall building design. Bracing indicated is to prevent buckling of individual truss web and/or chord members only. Additional temporary and permanent bracing is always required for stability and to prevent collapse with possible personal injury and property damage. For general guidance regarding the fabrication, storage, delivery, erection and bracing of trusses and truss systems, see

ANSI/TPI1 Quality Criteria, DSB-89 and BCSI Building Component

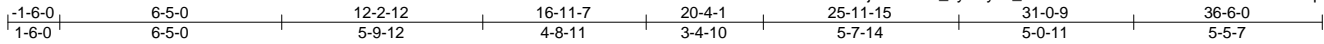
Safety Information available from Truss Plate Institute, 2670 Crain Highway, Suite 203 Waldorf, MD 20601



6904 Parke East Blvd.
Tampa, FL 33610

Job 2868120	Truss T09	Truss Type Piggyback Base	Qty 3	Ply 1	AMIRA BLDRS. - HICKS RES.	T24891414
----------------	--------------	------------------------------	----------	----------	---------------------------	-----------

Builders FirstSource (Lake City, FL), Lake City, FL - 32055, 8.430 s Jun 2 2021 MiTek Industries, Inc. Mon Aug 2 15:33:22 2021 Page 1
 ID:OGVM30uikhC8Ej8DWD31_JyuDyN--s5RN4vrxeBL5iEcQZiI0oEKfv57n42h0qITXPyrTh



Scale = 1:66.6

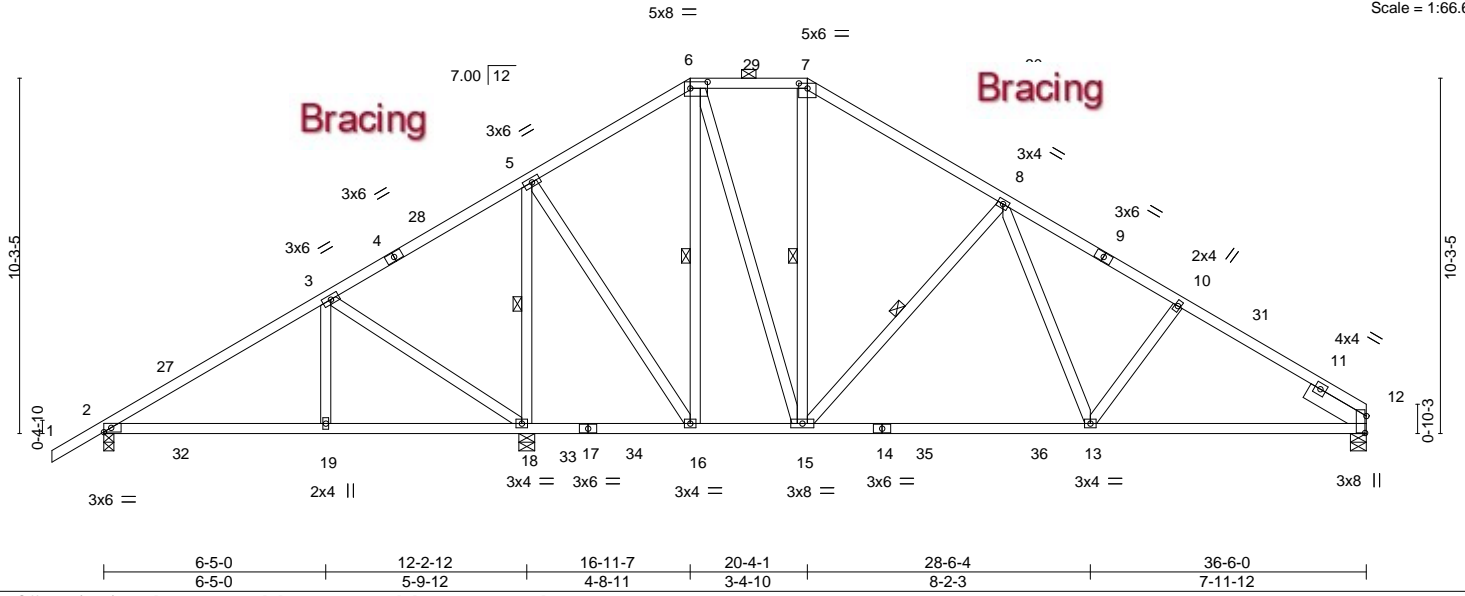


Plate Offsets (X,Y)-- [6:0-6-0,0-2-4], [7:0-3-0,0-1-12], [12:0-5-14,0-0-7]

LOADING (psf)	SPACING-	2-0-0	CSI.	DEFL.	in (loc)	l/defl	L/d	PLATES	GRIP
TCLL 20.0	Plate Grip DOL	1.25	TC 0.39	Vert(LL)	-0.18 13-15	>999	240	MT20	244/190
TCDL 7.0	Lumber DOL	1.25	BC 0.70	Vert(CT)	-0.31 13-15	>955	180		
BCLL 0.0 *	Rep Stress Incr	YES	WB 0.47	Horz(CT)	0.03 12	n/a	n/a		
BCDL 10.0	Code	FBC2020/TPI2014	Matrix-MS					Weight: 235 lb	FT = 20%

LUMBER-	BRACING-
TOP CHORD 2x4 SP No.2	TOP CHORD Structural wood sheathing directly applied or 4-8-7 oc purlins, except 2-0-0 oc purlins (6-0-0 max.): 6-7.
BOT CHORD 2x4 SP No.2	BOT CHORD Rigid ceiling directly applied or 10-0-0 oc bracing, Except: 6-0-0 oc bracing: 16-18.
WEBS 2x4 SP No.3	WEBS 1 Row at midpt 5-18, 6-16, 7-15, 8-15
SLIDER Right 2x6 SP No.2 1-11-8	

REACTIONS. (size) 2=0-3-8, 18=0-5-8, 12=0-5-8
 Max Horz 2=236(LC 9)
 Max Uplift 2=99(LC 12), 18=-346(LC 12), 12=-218(LC 13)
 Max Grav 2=460(LC 23), 18=1696(LC 2), 12=994(LC 20)

FORCES. (lb) - Max. Comp./Max. Ten. - All forces 250 (lb) or less except when shown.
 TOP CHORD 2-3=-411/243, 3-5=-88/338, 5-6=-406/221, 6-7=-490/254, 7-8=-623/245,
 8-10=-1246/334, 10-12=-1352/327
 BOT CHORD 2-19=-215/300, 18-19=-215/300, 16-18=-251/174, 15-16=-24/304, 13-15=-90/815,
 12-13=-210/1103
 WEBS 3-19=-220/263, 3-18=-515/333, 5-18=-1188/265, 5-16=-84/821, 6-16=-604/98,
 6-15=-157/684, 8-15=-634/259, 8-13=-83/504

- NOTES-**
- Unbalanced roof live loads have been considered for this design.
 - Wind: ASCE 7-16; Vult=130mph (3-second gust) Vasd=101mph; TCDL=4.2psf; BCDL=3.0psf; h=22ft; Cat. II; Exp B; Encl., GCpi=0.18; MWFRS (envelope) gable end zone and C-C Exterior(2E) -1-6-0 to 2-1-13, Interior(1) 2-1-13 to 16-11-7, Exterior(2E) 16-11-7 to 20-4-1, Exterior(2R) 20-4-1 to 25-6-0, Interior(1) 25-6-0 to 36-6-0 zone; porch left exposed; C-C for members and forces & MWFRS for reactions shown; Lumber DOL=1.60 plate grip DOL=1.60
 - Building Designer / Project engineer responsible for verifying applied roof live load shown covers rain loading requirements specific to the use of this truss component.
 - Provide adequate drainage to prevent water ponding.
 - This truss has been designed for a 10.0 psf bottom chord live load nonconcurrent with any other live loads.
 - * This truss has been designed for a live load of 20.0psf on the bottom chord in all areas where a rectangle 3-6-0 tall by 2-0-0 wide will fit between the bottom chord and any other members, with BCDL = 10.0psf.
 - Provide mechanical connection (by others) of truss to bearing plate capable of withstanding 99 lb uplift at joint 2, 346 lb uplift at joint 18 and 218 lb uplift at joint 12.
 - Graphical purlin representation does not depict the size or the orientation of the purlin along the top and/or bottom chord.

This item has been electronically signed and sealed by O'Regan, Philip, PE using a Digital Signature. Printed copies of this document are not considered signed and sealed and the signature must be verified on any electronic copies.

Philip J. O'Regan PE No.58126
 MiTek USA, Inc. FL Cert 6634
 6904 Parke East Blvd. Tampa FL 33610
 Date:

August 3,2021

WARNING - Verify design parameters and READ NOTES ON THIS AND INCLUDED MITEK REFERENCE PAGE MII-7473 rev. 5/19/2020 BEFORE USE.

Design valid for use only with MiTek® connectors. This design is based only upon parameters shown, and is for an individual building component, not a truss system. Before use, the building designer must verify the applicability of design parameters and properly incorporate this design into the overall building design. Bracing indicated is to prevent buckling of individual truss web and/or chord members only. Additional temporary and permanent bracing is always required for stability and to prevent collapse with possible personal injury and property damage. For general guidance regarding the fabrication, storage, delivery, erection and bracing of trusses and truss systems, see ANSITPI1 Quality Criteria, DSB-89 and BCSI Building Component Safety Information available from Truss Plate Institute, 2670 Crain Highway, Suite 203 Waldorf, MD 20601

6904 Parke East Blvd.
 Tampa, FL 33610

Job 2868120	Truss T10	Truss Type Piggyback Base	Qty 4	Ply 1	AMIRA BLDRS. - HICKS RES. Job Reference (optional)	T24891415
----------------	--------------	------------------------------	----------	----------	---	-----------

Builders FirstSource (Lake City, FL), Lake City, FL - 32055, 8.430 s Jun 2 2021 MiTek Industries, Inc. Mon Aug 2 15:33:23 2021 Page 1
 ID:OGVM30uikhC8Ej8DWD31_JyuDyN-S2fpbQwTiyJcJrpo_GD_Y0mWBjVQWXHrFU204ryrrTg



Bracing

Scale = 1:75.1

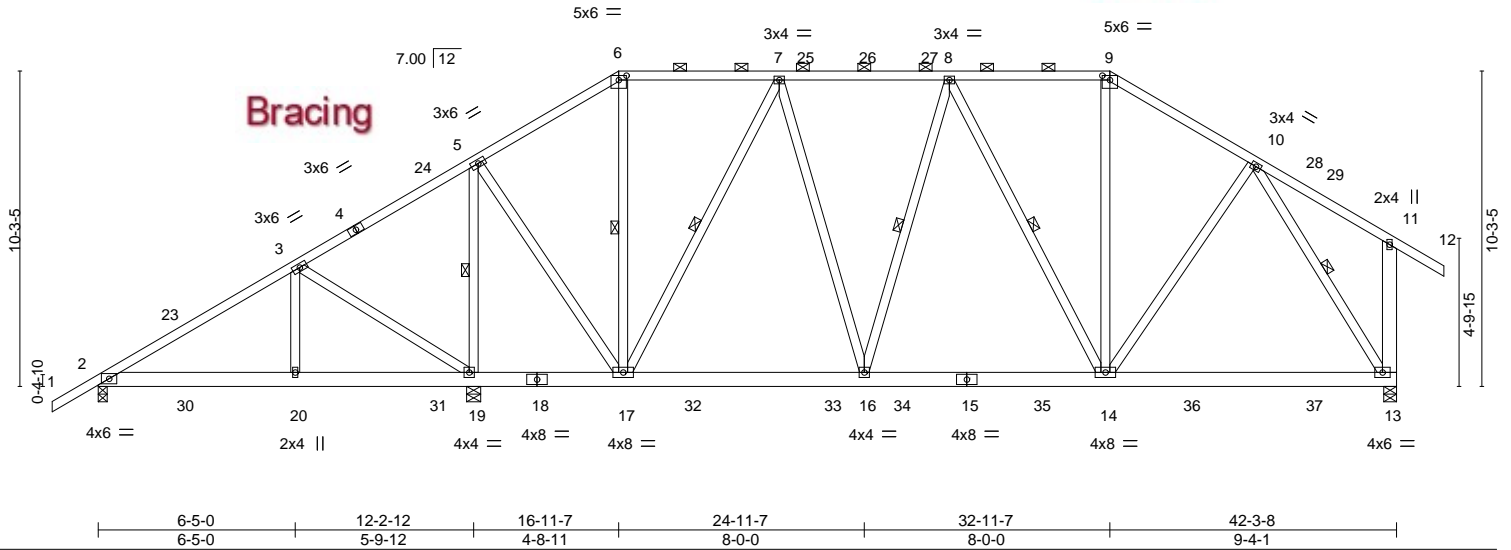


Plate Offsets (X, Y)--	[6:0-3-0,0-1-12], [9:0-3-0,0-1-12]								
LOADING (psf)	SPACING-	2-0-0	CSI.	DEFL.	in (loc)	l/defl	L/d	PLATES	GRIP
TCLL 20.0	Plate Grip DOL 1.25		TC 0.34	Vert(LL) -0.09	13-14	>999	240	MT20	244/190
TCDL 7.0	Lumber DOL 1.25		BC 0.44	Vert(CT) -0.15	13-14	>999	180		
BCLL 0.0 *	Rep Stress Incr YES		WB 0.47	Horz(CT) 0.02	13	n/a	n/a		
BCDL 10.0	Code FBC2020/TPI2014		Matrix-MS					Weight: 334 lb	FT = 20%

LUMBER-
 TOP CHORD 2x4 SP No.2
 BOT CHORD 2x6 SP No.2
 WEBS 2x4 SP No.3 *Except*
 11-13: 2x6 SP No.2

BRACING-
 TOP CHORD Structural wood sheathing directly applied or 5-8-2 oc purlins, except end verticals, and 2-0-0 oc purlins (6-0-0 max.); 6-9.
 BOT CHORD Rigid ceiling directly applied or 10-0-0 oc bracing, Except: 6-0-0 oc bracing: 17-19.
 WEBS 1 Row at midpt 5-19, 6-17, 7-17, 8-16, 8-14, 10-13

REACTIONS. (size) 2=0-3-8, 19=0-5-8, 13=0-5-0
 Max Horz 2=300(LC 11)
 Max Uplift 2=-98(LC 12), 19=-432(LC 12), 13=-289(LC 13)
 Max Grav 2=456(LC 23), 19=1918(LC 2), 13=1327(LC 2)

FORCES. (lb) - Max. Comp./Max. Ten. - All forces 250 (lb) or less except when shown.
 TOP CHORD 2-3=-406/230, 3-5=-135/264, 5-6=-571/177, 6-7=-442/186, 7-8=-901/251, 8-9=-826/275, 9-10=-1008/277, 11-13=-263/129
 BOT CHORD 2-20=-219/379, 19-20=-219/379, 16-17=-209/785, 14-16=-206/919, 13-14=-145/623
 WEBS 3-20=-231/277, 3-19=-515/337, 5-19=-1441/345, 5-17=-162/1039, 7-17=-754/219, 7-16=-83/441, 8-14=-273/158, 9-14=-44/298, 10-14=-102/389, 10-13=-1122/227

- NOTES-**
- Unbalanced roof live loads have been considered for this design.
 - Wind: ASCE 7-16; Vult=130mph (3-second gust) Vasd=101mph; TCDL=4.2psf; BCDL=3.0psf; h=22ft; Cat. II; Exp B; Encl., GCpi=0.18; MWFRS (envelope) gable end zone and C-C Exterior(2E) 1-6-0 to 2-8-12, Interior(1) 2-8-12 to 16-11-7, Exterior(2R) 16-11-7 to 22-11-3, Interior(1) 22-11-3 to 32-11-7, Exterior(2R) 32-11-7 to 38-11-3, Interior(1) 38-11-3 to 43-10-0 zone; end vertical right exposed; porch left exposed; C-C for members and forces & MWFRS for reactions shown; Lumber DOL=1.60 plate grip DOL=1.60
 - Building Designer / Project engineer responsible for verifying applied roof live load shown covers rain loading requirements specific to the use of this truss component.
 - Provide adequate drainage to prevent water ponding.
 - This truss has been designed for a 10.0 psf bottom chord live load nonconcurrent with any other live loads.
 - * This truss has been designed for a live load of 20.0psf on the bottom chord in all areas where a rectangle 3-6-0 tall by 2-0-0 wide will fit between the bottom chord and any other members, with BCDL = 10.0psf.
 - Provide mechanical connection (by others) of truss to bearing plate capable of withstanding 98 lb uplift at joint 2, 432 lb uplift at joint 19 and 289 lb uplift at joint 13.
 - Graphical purlin representation does not depict the size or the orientation of the purlin along the top and/or bottom chord.

This item has been electronically signed and sealed by O'Regan, Philip, PE using a Digital Signature. Printed copies of this document are not considered signed and sealed and the signature must be verified on any electronic copies.

Philip J. O'Regan PE No.58126
 MiTek USA, Inc. FL Cert 6834
 6904 Parke East Blvd. Tampa FL 33610
 Date:

August 3, 2021

WARNING - Verify design parameters and READ NOTES ON THIS AND INCLUDED MITEK REFERENCE PAGE MII-7473 rev. 5/19/2020 BEFORE USE.

Design valid for use only with MiTek® connectors. This design is based only upon parameters shown, and is for an individual building component, not a truss system. Before use, the building designer must verify the applicability of design parameters and properly incorporate this design into the overall building design. Bracing indicated is to prevent buckling of individual truss web and/or chord members only. Additional temporary and permanent bracing is always required for stability and to prevent collapse with possible personal injury and property damage. For general guidance regarding the fabrication, storage, delivery, erection and bracing of trusses and truss systems, see

ANSI/TPI1 Quality Criteria, DSB-89 and BCSI Building Component

Safety Information available from Truss Plate Institute, 2670 Crain Highway, Suite 203 Waldorf, MD 20601



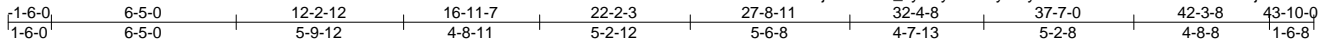
6904 Parke East Blvd.
 Tampa, FL 33610

Job 2868120	Truss T10G	Truss Type GABLE	Qty 2	Ply 1	AMIRA BLDRS. - HICKS RES.	T24891416
----------------	---------------	---------------------	----------	----------	---------------------------	-----------

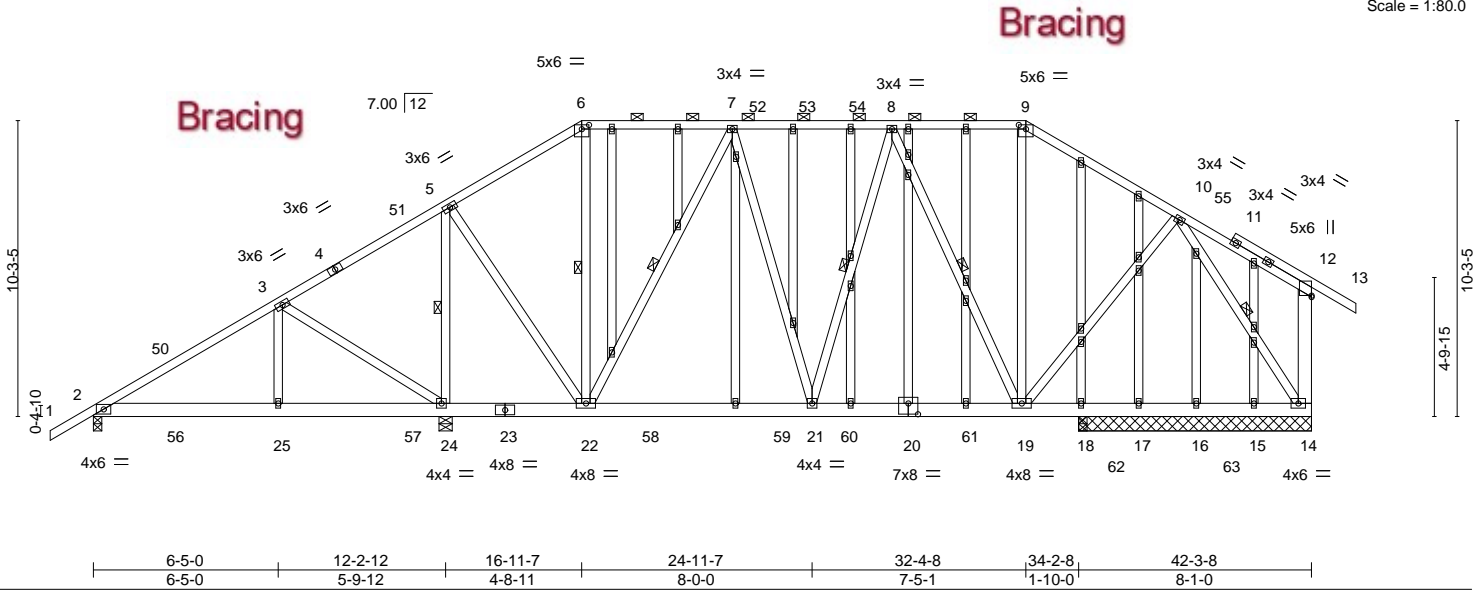
Builders FirstSource (Lake City,FL), Lake City, FL - 32055,

8.430 s Jun 2 2021 MiTek Industries, Inc. Mon Aug 2 15:33:26 2021 Page 1

ID:OGVM30uikhC8Ej8DWD31_JyuDyN-sdKyDSyL?thnaJXNfOmhAeO0RWYgjtDHxSGggAyrrTd



Scale = 1:80.0



LOADING (psf)	SPACING-	CSI.	DEFL.	PLATES	GRIP
TCLL 20.0	Plate Grip DOL 1.25	TC 0.34	in (loc) l/defl L/d	MT20	244/190
TCDL 7.0	Lumber DOL 1.25	BC 0.37	Vert(LL) -0.06 19-21 >999 240		
BCLL 0.0 *	Rep Stress Incr YES	WB 0.46	Vert(CT) -0.10 19-21 >999 180		
BCDL 10.0	Code FBC2020/TPI2014	Matrix-MS	Horz(CT) 0.02 14 n/a n/a	Weight: 460 lb	FT = 20%

LUMBER-	BRACING-
TOP CHORD 2x4 SP No.2	TOP CHORD Structural wood sheathing directly applied or 6-0-0 oc purlins, except end verticals, and 2-0-0 oc purlins (6-0-0 max.): 6-9.
BOT CHORD 2x6 SP No.2	BOT CHORD Rigid ceiling directly applied or 10-0-0 oc bracing, Except: 6-0-0 oc bracing: 22-24.
WEBS 2x4 SP No.3 *Except*	WEBS 1 Row at midpt 5-24, 6-22, 7-22, 8-21, 8-19, 10-14
OTHERS 2x4 SP No.3	

REACTIONS. All bearings 8-1-0 except (jt=length) 2=0-3-8, 24=0-5-8, 18=0-3-8, 18=0-3-8.
 (lb) - Max Horz 2=296(LC 11)
 Max Uplift All uplift 100 lb or less at joint(s) 2, 16 except 24=424(LC 12), 14=289(LC 13), 17=183(LC 1), 18=111(LC 13)
 Max Grav All reactions 250 lb or less at joint(s) 15, 16, 17 except 2=458(LC 23), 24=1809(LC 2), 14=938(LC 26), 18=411(LC 2), 18=386(LC 1)

FORCES. (lb) - Max. Comp./Max. Ten. - All forces 250 (lb) or less except when shown.
 TOP CHORD 2-3=-410/228, 3-5=-136/258, 5-6=-513/171, 6-7=-391/181, 7-8=-773/239, 8-9=-611/255, 9-10=-769/248
 BOT CHORD 2-25=-219/382, 24-25=-219/382, 21-22=-199/685, 19-21=-190/750, 18-19=-143/480, 17-18=-143/480, 16-17=-143/480, 15-16=-143/480, 14-15=-143/480
 WEBS 3-25=-231/277, 3-24=-515/337, 5-24=-1329/337, 5-22=-153/941, 7-22=-648/208, 7-21=-69/347, 8-19=-386/160, 10-19=-91/255, 10-14=-879/213

- NOTES-**
- Unbalanced roof live loads have been considered for this design.
 - Wind: ASCE 7-16; Vult=130mph (3-second gust) Vasd=101mph; TCDL=4.2psf; BCDL=3.0psf; h=22ft; Cat. II; Exp B; Encl., GCpi=0.18; MWFRS (envelope) gable end zone and C-C Exterior(2E) -1-6-0 to 2-8-12, Interior(1) 2-8-12 to 16-11-7, Exterior(2R) 16-11-7 to 22-11-3, Interior(1) 22-11-3 to 32-4-8, Exterior(2R) 32-4-8 to 38-4-4, Interior(1) 38-4-4 to 43-10-0 zone; end vertical right exposed; porch left exposed; C-C for members and forces & MWFRS for reactions shown; Lumber DOL=1.60 plate grip DOL=1.60
 - Truss designed for wind loads in the plane of the truss only. For studs exposed to wind (normal to the face), see Standard Industry Gable End Details as applicable, or consult qualified building designer as per ANSI/TPI 1.
 - Building Designer / Project engineer responsible for verifying applied roof live load shown covers rain loading requirements specific to the use of this truss component.
 - Provide adequate drainage to prevent water ponding.
 - All plates are 2x4 MT20 unless otherwise indicated.
 - Gable studs spaced at 2-0-0 oc.
 - This truss has been designed for a 10.0 psf bottom chord live load nonconcurrent with any other live loads.
 - * This truss has been designed for a live load of 20.0psf on the bottom chord in all areas where a rectangle 3-6-0 tall by 2-0-0 wide will fit between the bottom chord and any other members, with BCDL = 10.0psf.
 - Provide mechanical connection (by others) of truss to bearing plate capable of withstanding 100 lb uplift at joint(s) 2, 16 except (jt=lb) 24=424, 14=289, 17=183, 18=111.
 - Graphical purlin representation does not depict the size or the orientation of the purlin along the top and/or bottom chord.

This item has been electronically signed and sealed by ORegan, Philip, PE using a Digital Signature. Printed copies of this document are not considered signed and sealed and the signature must be verified on any electronic copies.

Philip J. O'Regan PE No.58126
 MiTek USA, Inc. FL Cert 6634
 6904 Parke East Blvd. Tampa FL 33610
 Date:

August 3,2021

WARNING - Verify design parameters and READ NOTES ON THIS AND INCLUDED MITEK REFERENCE PAGE MII-7473 rev. 5/19/2020 BEFORE USE.
 Design valid for use only with MiTek® connectors. This design is based only upon parameters shown, and is for an individual building component, not a truss system. Before use, the building designer must verify the applicability of design parameters and properly incorporate this design into the overall building design. Bracing indicated is to prevent buckling of individual truss web and/or chord members only. Additional temporary and permanent bracing is always required for stability and to prevent collapse with possible personal injury and property damage. For general guidance regarding the fabrication, storage, delivery, erection and bracing of trusses and truss systems, see **ANSI/TPI1 Quality Criteria, DSB-89 and BCSI Building Component Safety Information** available from Truss Plate Institute, 2670 Crain Highway, Suite 203 Waldorf, MD 20601

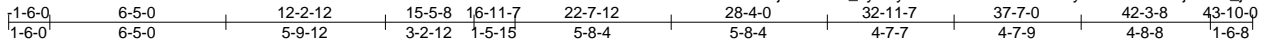


Job 2868120	Truss T11	Truss Type Piggyback Base	Qty 3	Ply 1	AMIRA BLDRS. - HICKS RES.	T24891417
----------------	--------------	------------------------------	----------	----------	---------------------------	-----------

Builders FirstSource (Lake City,FL), Lake City, FL - 32055,

8.430 s Jun 2 2021 MiTek Industries, Inc. Mon Aug 2 15:33:29 2021 Page 1

ID:OGVM30uikhC8Ej8DWD31_JyuDyN-HC05rT?Elo3LRmGyKXKOoH0XQY3wE_jdQVKHVYrrTa



Scale = 1:84.0

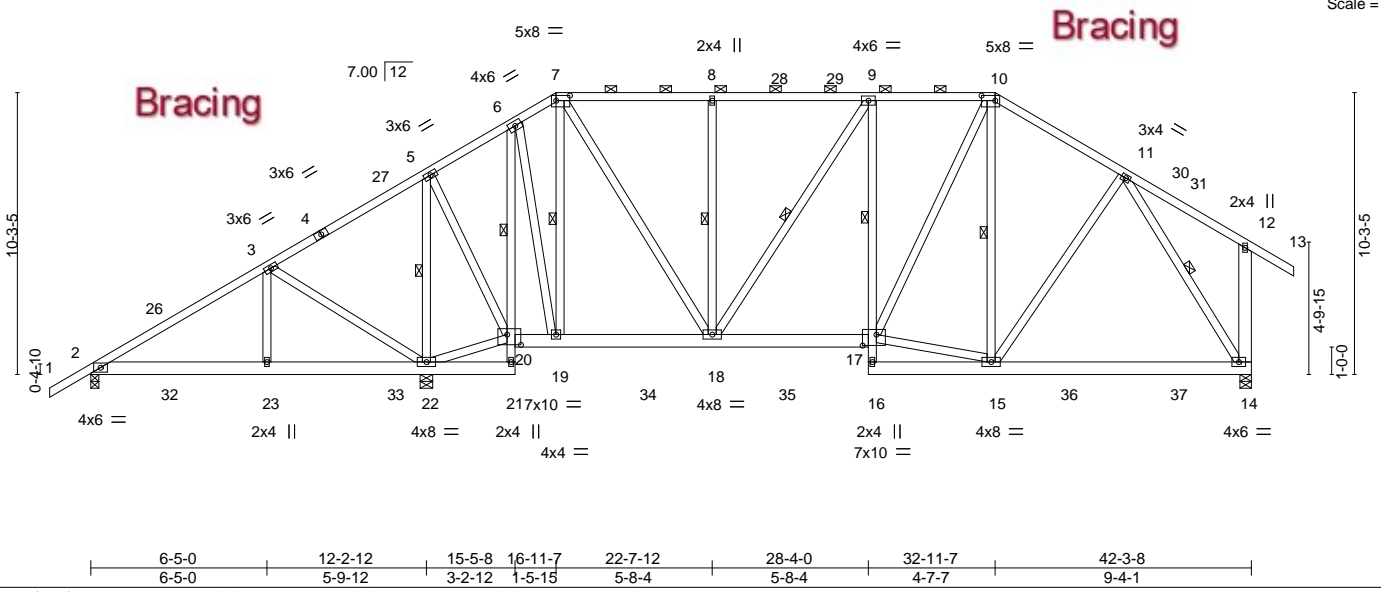


Plate Offsets (X,Y)-- [7:0-6-0,0-2-4], [10:0-6-0,0-2-4], [17:0-6-1,0-4-13], [20:0-6-0,0-4-8]

LOADING (psf)	SPACING-	2-0-0	CSI.	DEFL.	in (loc)	l/defl	L/d	PLATES	GRIP
TCLL 20.0	Plate Grip DOL	1.25	TC 0.35	Vert(LL)	-0.09 14-15	>999	240	MT20	244/190
TCDL 7.0	Lumber DOL	1.25	BC 0.42	Vert(CT)	-0.16 14-15	>999	180		
BCLL 0.0 *	Rep Stress Incr	YES	WB 0.46	Horz(CT)	0.04 14	n/a	n/a		
BCDL 10.0	Code FBC2020/TPI2014		Matrix-MS					Weight: 375 lb	FT = 20%

LUMBER-	BRACING-
TOP CHORD 2x4 SP No.2	TOP CHORD Structural wood sheathing directly applied or 5-8-15 oc purlins, except end verticals, and 2-0-0 oc purlins (5-9-0 max.): 7-10.
BOT CHORD 2x6 SP No.2 *Except* 6-21,9-16: 2x4 SP No.3	BOT CHORD Rigid ceiling directly applied or 10-0-0 oc bracing, Except: 6-0-0 oc bracing: 21-22,20-21,15-16.
WEBS 2x4 SP No.3 *Except* 12-14: 2x6 SP No.2	WEBS 1 Row at midpt 6-20, 9-17 1 Row at midpt 5-22, 7-19, 8-18, 9-18, 10-15, 11-14

REACTIONS. (size) 2=0-3-8, 22=0-5-8, 14=0-5-0
 Max Horz 2=300(LC 11)
 Max Uplift 2=-94(LC 12), 22=-437(LC 12), 14=-288(LC 13)
 Max Grav 2=463(LC 25), 22=1857(LC 2), 14=1306(LC 26)

FORCES. (lb) - Max. Comp./Max. Ten. - All forces 250 (lb) or less except when shown.
 TOP CHORD 2-3=-418/253, 3-5=-147/260, 5-6=-419/134, 6-7=-553/186, 7-8=-906/243, 8-9=-906/243,
 9-10=-1009/301, 10-11=-982/276, 12-14=-262/128
 BOT CHORD 2-23=-208/382, 22-23=-208/382, 6-20=-829/149, 19-20=-132/356, 18-19=-153/466,
 17-18=-220/1014, 14-15=-145/610
 WEBS 3-23=-229/272, 3-22=-514/337, 5-22=-1346/319, 5-20=-188/978, 6-19=-136/685,
 7-19=-565/168, 7-18=-205/819, 8-18=-340/170, 15-17=-113/817, 10-17=-197/495,
 11-15=-99/373, 11-14=-1098/226

NOTES-

- Unbalanced roof live loads have been considered for this design.
- Wind: ASCE 7-16; Vult=130mph (3-second gust) Vasd=101mph; TCDL=4.2psf; BCDL=3.0psf; h=22ft; Cat. II; Exp B; Encl., GCpi=0.18; MWFRS (envelope) gable end zone and C-C Exterior(2E) -1-6-0 to 2-8-12, Interior(1) 2-8-12 to 16-11-7, Exterior(2R) 16-11-7 to 22-7-12, Interior(1) 22-7-12 to 32-11-7, Exterior(2R) 32-11-7 to 38-11-3, Interior(1) 38-11-3 to 43-10-0 zone; end vertical right exposed; porch left exposed; C-C for members and forces & MWFRS for reactions shown; Lumber DOL=1.60 plate grip DOL=1.60
- Building Designer / Project engineer responsible for verifying applied roof live load shown covers rain loading requirements specific to the use of this truss component.
- Provide adequate drainage to prevent water ponding.
- This truss has been designed for a 10.0 psf bottom chord live load nonconcurrent with any other live loads.
- * This truss has been designed for a live load of 20.0psf on the bottom chord in all areas where a rectangle 3-6-0 tall by 2-0-0 wide will fit between the bottom chord and any other members, with BCDL = 10.0psf.
- Provide mechanical connection (by others) of truss to bearing plate capable of withstanding 100 lb uplift at joint(s) 2 except (jt=lb) 22=437, 14=288.
- Graphical purlin representation does not depict the size or the orientation of the purlin along the top and/or bottom chord.

This item has been electronically signed and sealed by ORegan, Philip, PE using a Digital Signature. Printed copies of this document are not considered signed and sealed and the signature must be verified on any electronic copies.

Philip J. O'Regan PE No.58126
 MiTek USA, Inc. FL Cert 6834
 6904 Parke East Blvd. Tampa FL 33610
 Date:

August 3,2021

WARNING - Verify design parameters and READ NOTES ON THIS AND INCLUDED MITEK REFERENCE PAGE MII-7473 rev. 5/19/2020 BEFORE USE.

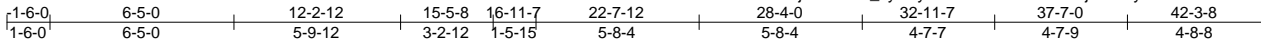
Design valid for use only with MiTek® connectors. This design is based only upon parameters shown, and is for an individual building component, not a truss system. Before use, the building designer must verify the applicability of design parameters and properly incorporate this design into the overall building design. Bracing indicated is to prevent buckling of individual truss web and/or chord members only. Additional temporary and permanent bracing is always required for stability and to prevent collapse with possible personal injury and property damage. For general guidance regarding the fabrication, storage, delivery, erection and bracing of trusses and truss systems, see ANSITPI1 Quality Criteria, DSB-89 and BCSI Building Component Safety Information available from Truss Plate Institute, 2670 Crain Highway, Suite 203 Waldorf, MD 20601

Job 2868120	Truss T12	Truss Type Piggyback Base Girder	Qty 1	Ply 2	AMIRA BLDRS. - HICKS RES. Job Reference (optional)	T24891418
----------------	--------------	-------------------------------------	----------	----------	---	-----------

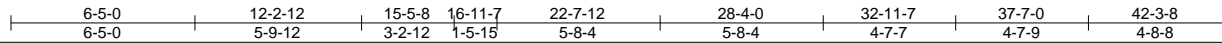
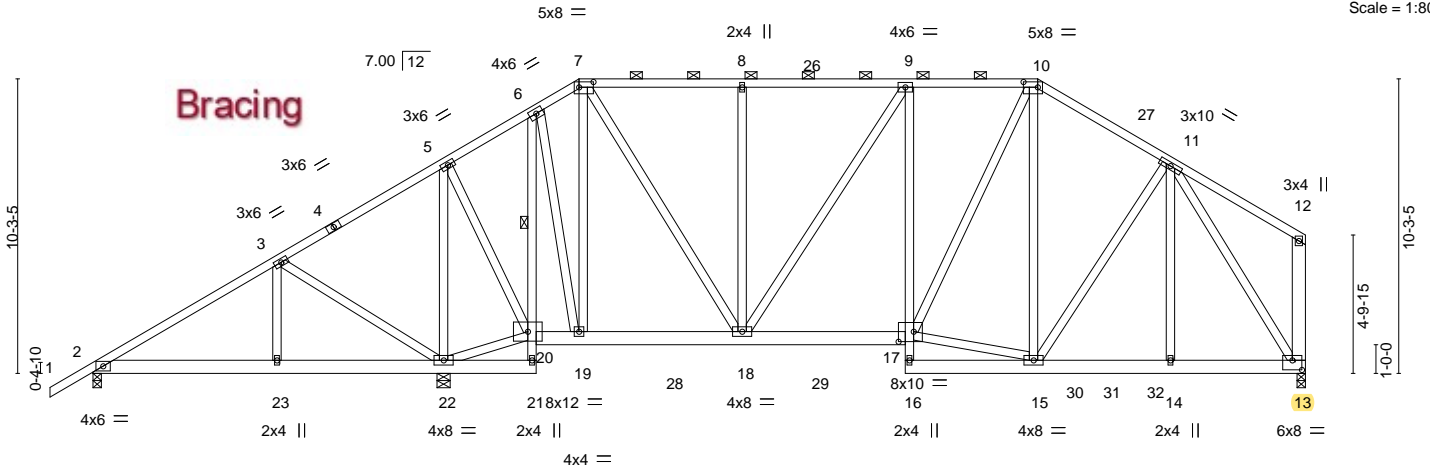
Builders FirstSource (Lake City,FL), Lake City, FL - 32055,

8.430 s Jun 2 2021 MiTek Industries, Inc. Mon Aug 2 15:33:33 2021 Page 1

ID:OGVM30uikhC8Ej8DWD31_JyuDyN-9zFbhr2KL1anwOajZNPky7BBWLSYsw6JY2TYQGyrrTW



Scale = 1:80.4



LOADING (psf)	SPACING-	CSI.	DEFL.	PLATES	GRIP
TCLL 20.0	Plate Grip DOL 1.25	TC 0.47	Vert(LL) -0.06 14-15 >999 240	MT20	244/190
TCDL 7.0	Lumber DOL 1.25	BC 0.64	Vert(CT) -0.11 14-15 >999 180		
BCLL 0.0 *	Rep Stress Incr NO	WB 0.96	Horz(CT) 0.03 13 n/a n/a		
BCDL 10.0	Code FBC2020/TPI2014	Matrix-MS		Weight: 764 lb	FT = 20%

LUMBER-	BRACING-
TOP CHORD 2x4 SP No.2	TOP CHORD Structural wood sheathing directly applied or 6-0-0 oc purlins, except end verticals, and 2-0-0 oc purlins (6-0-0 max.): 7-10.
BOT CHORD 2x6 SP No.2 *Except* 6-21,9-16: 2x4 SP No.3	BOT CHORD Rigid ceiling directly applied or 10-0-0 oc bracing, Except: 6-0-0 oc bracing: 21-22,20-21,16-17. 1 Row at midpt 6-20
WEBS 2x4 SP No.3 *Except* 12-13: 2x6 SP No.2	

REACTIONS. (size) 2=0-3-8, 22=0-5-8, 13=0-3-8
 Max Horz 2=292(LC 5)
 Max Uplift 2=-89(LC 8), 22=-607(LC 5), 13=-1164(LC 4)
 Max Grav 2=454(LC 21), 22=2397(LC 2), 13=3650(LC 20)

FORCES. (lb) - Max. Comp./Max. Ten. - All forces 250 (lb) or less except when shown.
 TOP CHORD 2-3=-395/99, 3-5=-158/278, 5-6=-650/201, 6-7=-872/273, 7-8=-1518/443, 8-9=-1518/443, 9-10=-1977/590, 10-11=-2415/736, 11-12=-440/229, 12-13=-652/318
 BOT CHORD 2-23=-209/356, 22-23=-209/356, 6-20=-1201/273, 19-20=-209/549, 18-19=-250/734, 17-18=-549/1982, 9-17=-108/481, 14-15=-531/1878, 13-14=-531/1878
 WEBS 3-23=-86/268, 3-22=-512/217, 5-22=-1876/488, 5-20=-344/1438, 6-19=-244/1006, 7-19=-930/291, 7-18=-417/1457, 8-18=-340/170, 9-18=-843/300, 15-17=-517/1964, 10-17=-242/372, 10-15=-301/866, 11-15=-473/295, 11-14=-196/863, 11-13=-3399/940

- NOTES-**
- 2-ply truss to be connected together with 10d (0.131"x3") nails as follows:
 Top chords connected as follows: 2x4 - 1 row at 0-9-0 oc, 2x6 - 2 rows staggered at 0-9-0 oc.
 Bottom chords connected as follows: 2x6 - 2 rows staggered at 0-7-0 oc, 2x4 - 1 row at 0-9-0 oc.
 Webs connected as follows: 2x4 - 1 row at 0-9-0 oc.
 - All loads are considered equally applied to all plies, except if noted as front (F) or back (B) face in the LOAD CASE(S) section. Ply to ply connections have been provided to distribute only loads noted as (F) or (B), unless otherwise indicated.
 - Unbalanced roof live loads have been considered for this design.
 - Wind: ASCE 7-16; Vult=130mph (3-second gust) Vasd=101mph; TCDL=4.2psf; BCDL=3.0psf; h=22ft; Cat. II; Exp B; Encl., GCpi=0.18; MWFRS (envelope) gable end zone; end vertical right exposed; porch left exposed; Lumber DOL=1.60 plate grip DOL=1.60
 - Building Designer / Project engineer responsible for verifying applied roof live load shown covers rain loading requirements specific to the use of this truss component.
 - Provide adequate drainage to prevent water ponding.
 - This truss has been designed for a 10.0 psf bottom chord live load nonconcurrent with any other live loads.
 - * This truss has been designed for a live load of 20.0psf on the bottom chord in all areas where a rectangle 3-6-0 tall by 2-0-0 wide will fit between the bottom chord and any other members, with BCDL = 10.0psf.
 - Provide mechanical connection (by others) of truss to bearing plate capable of withstanding 100 lb uplift at joint(s) 2 except (jt=lb) 22=607, 13=1164.
 - Girder carries tie-in span(s): 7-2-0 from 36-0-0 to 42-3-8
 - Graphical purlin representation does not depict the size or the orientation of the purlin along the top and/or bottom chord.

This item has been electronically signed and sealed by ORegan, Philip, PE using a Digital Signature. Printed copies of this document are not considered signed and sealed and the signature must be verified on any electronic copies.

Philip J. O'Regan PE No.58126
 MiTek USA, Inc. FL Cert 6834
 6904 Parke East Blvd. Tampa FL 33610
 Date:

August 3,2021

Continued on page 2

WARNING - Verify design parameters and READ NOTES ON THIS AND INCLUDED MITEK REFERENCE PAGE MII-7473 rev. 5/19/2020 BEFORE USE.
 Design valid for use only with MiTek® connectors. This design is based only upon parameters shown, and is for an individual building component, not a truss system. Before use, the building designer must verify the applicability of design parameters and properly incorporate this design into the overall building design. Bracing indicated is to prevent buckling of individual truss web and/or chord members only. Additional temporary and permanent bracing is always required for stability and to prevent collapse with possible personal injury and property damage. For general guidance regarding the fabrication, storage, delivery, erection and bracing of trusses and truss systems, see **ANSI/TPI1 Quality Criteria, DSB-89 and BCSI Building Component Safety Information** available from Truss Plate Institute, 2670 Crain Highway, Suite 203 Waldorf, MD 20601

6904 Parke East Blvd.
 Tampa, FL 33610

Job 2868120	Truss T12	Truss Type Piggyback Base Girder	Qty 1	Ply 2	AMIRA BLDRS. - HICKS RES. Job Reference (optional)	T24891418
----------------	--------------	-------------------------------------	----------	----------	---	-----------

Builders FirstSource (Lake City,FL), Lake City, FL - 32055,

8.430 s Jun 2 2021 MiTek Industries, Inc. Mon Aug 2 15:33:33 2021 Page 2
ID:OGVM30uikhC8Ej8DWD31_JyuDyN-9zFbhr2kL1anwOajZNPky7BBWLSYsw6JY2TYQGyrrTW

NOTES-

- 12) Hanger(s) or other connection device(s) shall be provided sufficient to support concentrated load(s) 1417 lb down and 375 lb up at 34'-1-9" on bottom chord. The design/selection of such connection device(s) is the responsibility of others.

LOAD CASE(S) Standard

- 1) Dead + Roof Live (balanced): Lumber Increase=1.25, Plate Increase=1.25
Uniform Loads (plf)
Vert: 1-7=-54, 7-10=-54, 10-27=-54, 2-21=-20, 17-20=-20, 16-32=-20, 13-32=-116(F=-96)
Concentrated Loads (lb)
Vert: 30=-1317(B)
Trapezoidal Loads (plf)
Vert: 27=-224-to-12=-284

WARNING - Verify design parameters and READ NOTES ON THIS AND INCLUDED MITEK REFERENCE PAGE MII-7473 rev. 5/19/2020 BEFORE USE.

Design valid for use only with MiTek® connectors. This design is based only upon parameters shown, and is for an individual building component, not a truss system. Before use, the building designer must verify the applicability of design parameters and properly incorporate this design into the overall building design. Bracing indicated is to prevent buckling of individual truss web and/or chord members only. Additional temporary and permanent bracing is always required for stability and to prevent collapse with possible personal injury and property damage. For general guidance regarding the fabrication, storage, delivery, erection and bracing of trusses and truss systems, see

ANSI/TPI1 Quality Criteria, DSB-89 and BCSI Building Component

Safety Information available from Truss Plate Institute, 2670 Crain Highway, Suite 203 Waldorf, MD 20601



6904 Parke East Blvd.
Tampa, FL 36610

Job 2868120	Truss T13	Truss Type Piggyback Base	Qty 2	Ply 1	AMIRA BLDRS. - HICKS RES.	T24891419
----------------	--------------	------------------------------	----------	----------	---------------------------	-----------

Builders FirstSource (Lake City,FL), Lake City, FL - 32055, 8.430 s Jun 2 2021 MiTek Industries, Inc. Mon Aug 2 15:33:34 2021 Page 1
 ID:OGVM30uikhC8Ej8DWD31_JyuDyN-dAp_vB3M6KieYY8v74wZVKjO9kLbNtSniC5ziyrrTV

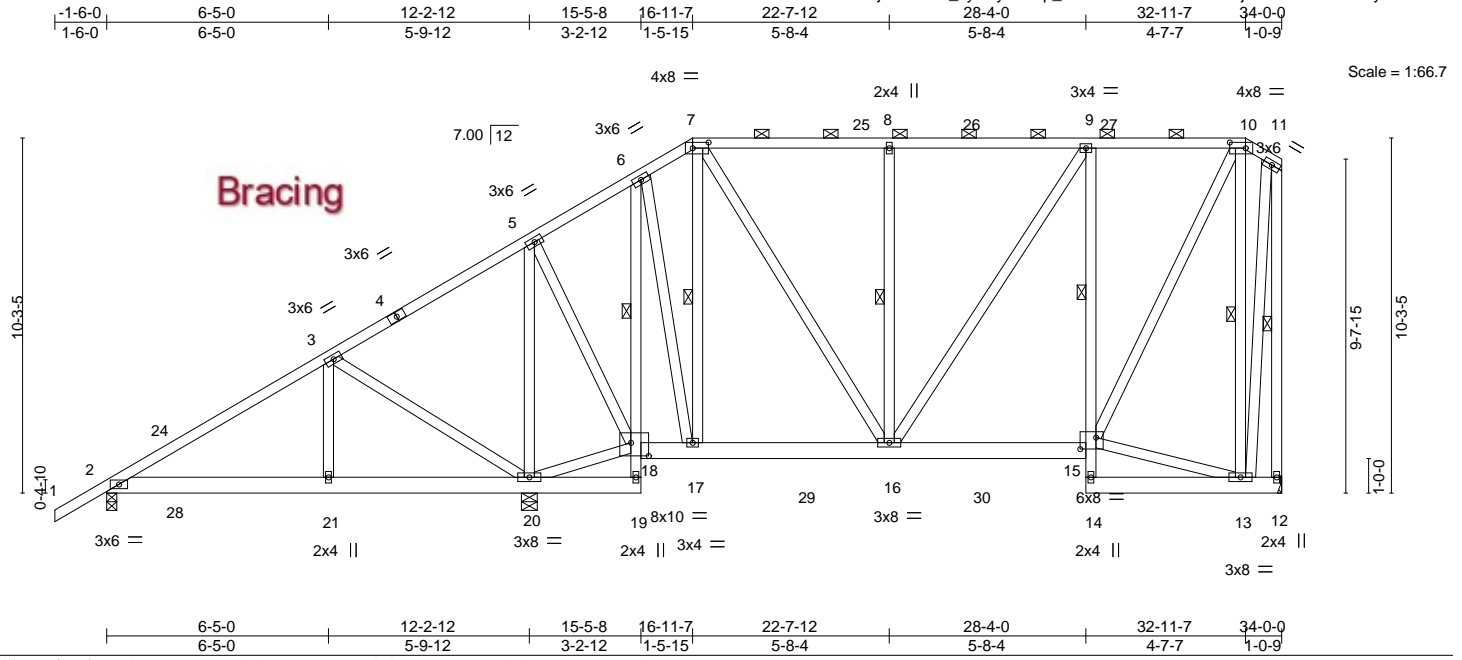


Plate Offsets (X,Y)--	[7:0-5-8,0-2-0], [10:0-5-8,0-2-0], [15:0-5-8,0-4-0], [18:0-6-3,0-4-9]
-----------------------	---

LOADING (psf)	SPACING-	CSI.	DEFL.	in (loc)	l/defl	L/d	PLATES	GRIP
TCLL 20.0	Plate Grip DOL 1.25	TC 0.35	Vert(LL)	-0.04 15-16	>999	240	MT20	244/190
TCDL 7.0	Lumber DOL 1.25	BC 0.22	Vert(CT)	-0.07 15-16	>999	180		
BCLL 0.0 *	Rep Stress Incr YES	WB 0.99	Horz(CT)	0.02 12	n/a	n/a		
BCDL 10.0	Code FBC2020/TPI2014	Matrix-MS					Weight: 331 lb	FT = 20%

LUMBER-	BRACING-
TOP CHORD 2x4 SP No.2	TOP CHORD Structural wood sheathing directly applied or 6-0-0 oc purlins, except end verticals, and 2-0-0 oc purlins (6-0-0 max.): 7-10.
BOT CHORD 2x6 SP No.2 *Except* 6-19,9-14: 2x4 SP No.3	BOT CHORD Rigid ceiling directly applied or 10-0-0 oc bracing, Except: 6-0-0 oc bracing: 19-20,13-14. 1 Row at midpt 6-18, 9-15
WEBS 2x4 SP No.3	WEBS 1 Row at midpt 7-17, 8-16, 10-13, 11-12

REACTIONS.
(size) 2=0-3-8, 12=Mechanical, 20=0-5-8 Max Horz 2=366(LC 12) Max Uplift 2=-61(LC 9), 12=-182(LC 9), 20=-429(LC 12) Max Grav 2=438(LC 2), 12=836(LC 2), 20=1563(LC 2)

FORCES.
(lb) - Max. Comp./Max. Ten. - All forces 250 (lb) or less except when shown. TOP CHORD 2-3=384/125, 3-5=-181/258, 6-7=-320/105, 7-8=-503/134, 8-9=-503/134, 9-10=-402/103, 11-12=-715/144 BOT CHORD 2-21=-241/301, 20-21=-241/301, 6-18=-630/130, 16-17=-100/267, 15-16=-106/410, 9-15=-427/186 WEBS 3-21=-226/275, 3-20=-517/329, 5-20=-1041/349, 5-18=-141/713, 6-17=-114/514, 7-17=-392/151, 7-16=-121/439, 8-16=-337/169, 10-15=-196/733, 10-13=-675/211, 11-13=-144/628

- NOTES-**
- Unbalanced roof live loads have been considered for this design.
 - Wind: ASCE 7-16; Vult=130mph (3-second gust) Vasd=101mph; TCDL=4.2psf; BCDL=3.0psf; h=22ft; Cat. II; Exp B; Encl., GCpi=0.18; MWFRS (envelope) gable end zone and C-C Exterior(2E) 1-6-0 to 1-10-13, Interior(1) 1-10-13 to 16-11-7, Exterior(2R) 16-11-7 to 21-9-2, Interior(1) 21-9-2 to 32-11-7, Exterior(2E) 32-11-7 to 33-10-4 zone; porch left exposed; C-C for members and forces & MWFRS for reactions shown; Lumber DOL=1.60 plate grip DOL=1.60
 - Building Designer / Project engineer responsible for verifying applied roof live load shown covers rain loading requirements specific to the use of this truss component.
 - Provide adequate drainage to prevent water ponding.
 - This truss has been designed for a 10.0 psf bottom chord live load nonconcurrent with any other live loads.
 - * This truss has been designed for a live load of 20.0psf on the bottom chord in all areas where a rectangle 3-6-0 tall by 2-0-0 wide will fit between the bottom chord and any other members, with BCDL = 10.0psf.
 - Refer to girder(s) for truss to truss connections.
 - Provide mechanical connection (by others) of truss to bearing plate capable of withstanding 100 lb uplift at joint(s) 2 except (jt=lb) 12=182, 20=429.
 - Graphical purlin representation does not depict the size or the orientation of the purlin along the top and/or bottom chord.

This item has been electronically signed and sealed by ORegan, Philip, PE using a Digital Signature. Printed copies of this document are not considered signed and sealed and the signature must be verified on any electronic copies.

Philip J. O'Regan PE No.58126
 MiTek USA, Inc. FL Cert 6834
 6904 Parke East Blvd. Tampa FL 33610
 Date:

August 3,2021

WARNING - Verify design parameters and READ NOTES ON THIS AND INCLUDED MITEK REFERENCE PAGE MII-7473 rev. 5/19/2020 BEFORE USE.

Design valid for use only with MiTek® connectors. This design is based only upon parameters shown, and is for an individual building component, not a truss system. Before use, the building designer must verify the applicability of design parameters and properly incorporate this design into the overall building design. Bracing indicated is to prevent buckling of individual truss web and/or chord members only. Additional temporary and permanent bracing is always required for stability and to prevent collapse with possible personal injury and property damage. For general guidance regarding the fabrication, storage, delivery, erection and bracing of trusses and truss systems, see

ANSI/TPI1 Quality Criteria, DSB-89 and BCSI Building Component

Safety Information available from Truss Plate Institute, 2670 Crain Highway, Suite 203 Waldorf, MD 20601



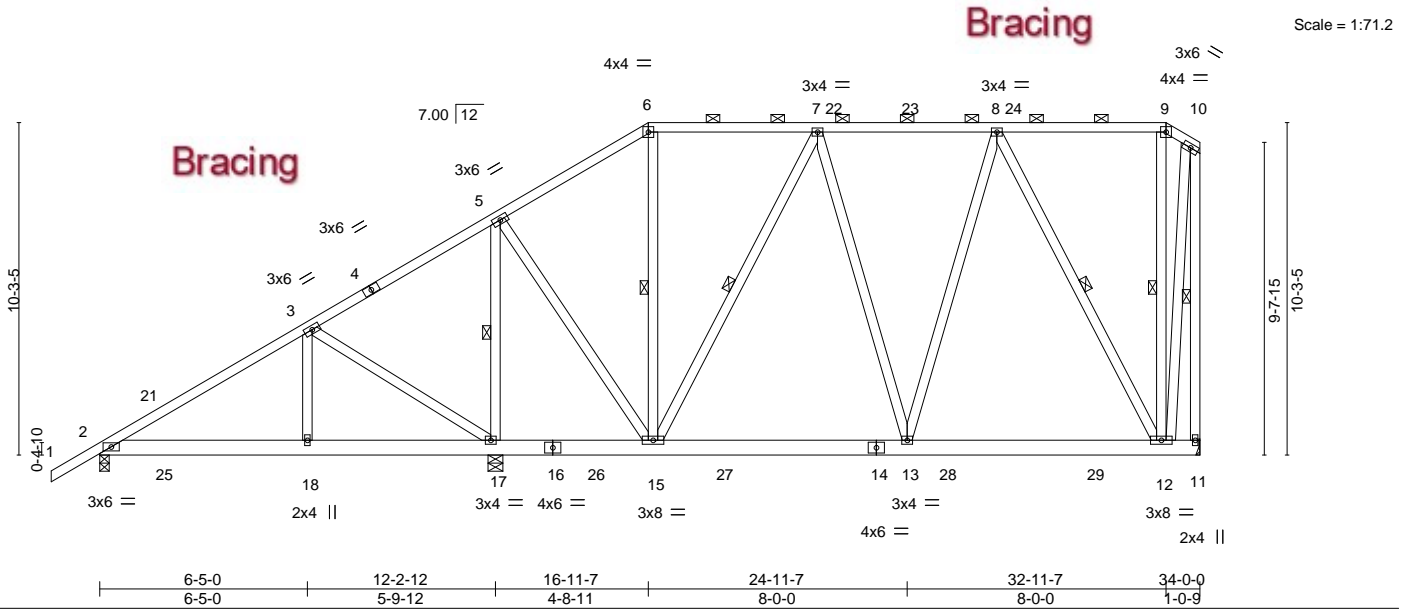
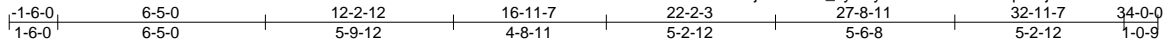
6904 Parke East Blvd.
 Tampa, FL 33610

Job 2868120	Truss T14	Truss Type Piggyback Base	Qty 1	Ply 1	AMIRA BLDRS. - HICKS RES.	T24891420
----------------	--------------	------------------------------	----------	----------	---------------------------	-----------

Builders FirstSource (Lake City,FL), Lake City, FL - 32055,

8.430 s Jun 2 2021 MiTek Industries, Inc. Mon Aug 2 15:33:35 2021 Page 1

ID:OGVM30uikhC8Ej8DWD31_JyuDyN-5MM6W3?teqV9hj6hnRo1YGZ58cXJyRc0MyfV9yrrTU



LOADING (psf)	SPACING-	CSI.	DEFL.	PLATES	GRIP
TCLL 20.0	Plate Grip DOL 1.25	TC 0.34	Vert(LL) -0.06 12-13 >999 240	MT20	244/190
TCDL 7.0	Lumber DOL 1.25	BC 0.35	Vert(CT) -0.10 12-13 >999 180		
BCLL 0.0 *	Rep Stress Incr YES	WB 0.46	Horz(CT) 0.01 11 n/a n/a		
BCDL 10.0	Code FBC2020/TPI2014	Matrix-MS		Weight: 291 lb	FT = 20%

LUMBER-
TOP CHORD 2x4 SP No.2
BOT CHORD 2x6 SP No.2
WEBS 2x4 SP No.3

BRACING-
TOP CHORD Structural wood sheathing directly applied or 6-0-0 oc purlins, except end verticals, and 2-0-0 oc purlins (6-0-0 max.): 6-9.
BOT CHORD Rigid ceiling directly applied or 10-0-0 oc bracing, Except: 6-0-0 oc bracing: 15-17.
WEBS 1 Row at midpt 5-17, 6-15, 7-15, 8-12, 9-12, 10-11

REACTIONS. (size) 2=0-3-8, 17=0-5-8, 11=Mechanical
Max Horz 2=366(LC 12)
Max Uplift 2=67(LC 9), 17=-413(LC 12), 11=-186(LC 9)
Max Grav 2=441(LC 1), 17=1611(LC 2), 11=870(LC 2)

FORCES. (lb) - Max. Comp./Max. Ten. - All forces 250 (lb) or less except when shown.
TOP CHORD 2-3=-376/124, 3-5=-164/265, 5-6=-360/89, 6-7=-259/110, 7-8=-468/105, 10-11=-874/136
BOT CHORD 2-18=-254/298, 17-18=-254/298, 13-15=-122/439, 12-13=-103/382
WEBS 3-18=-229/278, 3-17=-516/328, 5-17=-1131/326, 5-15=-130/770, 7-15=-401/136, 8-13=-59/319, 8-12=-631/188, 10-12=-153/813

NOTES-

- Unbalanced roof live loads have been considered for this design.
- Wind: ASCE 7-16; Vult=130mph (3-second gust) Vasd=101mph; TCDL=4.2psf; BCDL=3.0psf; h=22ft; Cat. II; Exp B; Encl., GCpi=0.18; MWFRS (envelope) gable end zone and C-C Exterior(2E) -1-6-0 to 1-10-13, Interior(1) 1-10-13 to 16-11-7, Exterior(2R) 16-11-7 to 21-9-2, Interior(1) 21-9-2 to 32-11-7, Exterior(2E) 32-11-7 to 33-10-4 zone; porch left exposed; C-C for members and forces & MWFRS for reactions shown; Lumber DOL=1.60 plate grip DOL=1.60
- Building Designer / Project engineer responsible for verifying applied roof live load shown covers rain loading requirements specific to the use of this truss component.
- Provide adequate drainage to prevent water ponding.
- This truss has been designed for a 10.0 psf bottom chord live load nonconcurrent with any other live loads.
- * This truss has been designed for a live load of 20.0psf on the bottom chord in all areas where a rectangle 3-6-0 tall by 2-0-0 wide will fit between the bottom chord and any other members, with BCDL = 10.0psf.
- Refer to girder(s) for truss to truss connections.
- Provide mechanical connection (by others) of truss to bearing plate capable of withstanding 100 lb uplift at joint(s) 2 except (jt=lb) 17=413, 11=186.
- Graphical purlin representation does not depict the size or the orientation of the purlin along the top and/or bottom chord.

This item has been electronically signed and sealed by O'Regan, Philip, PE using a Digital Signature. Printed copies of this document are not considered signed and sealed and the signature must be verified on any electronic copies.

Philip J. O'Regan PE No.58126
MiTek USA, Inc. FL Cert 6634
6904 Parke East Blvd. Tampa FL 33610
Date:

August 3,2021

WARNING - Verify design parameters and READ NOTES ON THIS AND INCLUDED MITEK REFERENCE PAGE MII-7473 rev. 5/19/2020 BEFORE USE.
Design valid for use only with MiTek® connectors. This design is based only upon parameters shown, and is for an individual building component, not a truss system. Before use, the building designer must verify the applicability of design parameters and properly incorporate this design into the overall building design. Bracing indicated is to prevent buckling of individual truss web and/or chord members only. Additional temporary and permanent bracing is always required for stability and to prevent collapse with possible personal injury and property damage. For general guidance regarding the fabrication, storage, delivery, erection and bracing of trusses and truss systems, see **ANSI/TPI1 Quality Criteria, DSB-89 and BCSI Building Component Safety Information** available from Truss Plate Institute, 2670 Crain Highway, Suite 203 Waldorf, MD 20601

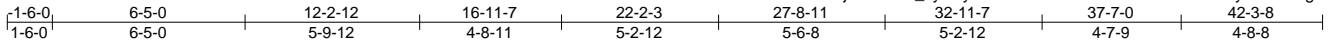


Job 2868120	Truss T15	Truss Type PIGGYBACK BASE GIRDER	Qty 1	Ply 2	AMIRA BLDRS. - HICKS RES. Job Reference (optional)	T24891421
----------------	--------------	-------------------------------------	----------	----------	---	-----------

Builders FirstSource (Lake City, FL), Lake City, FL - 32055,

8.430 s Jun 2 2021 MiTek Industries, Inc. Mon Aug 2 15:33:37 2021 Page 1

ID:OGVM30uikhC8Ej8DWD31_JyuDyN-2iV6XC5FP4DP?UoCTG7zLtmYDink0vTgRIZ1yrrTS



Scale = 1:76.7

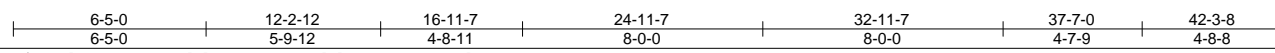
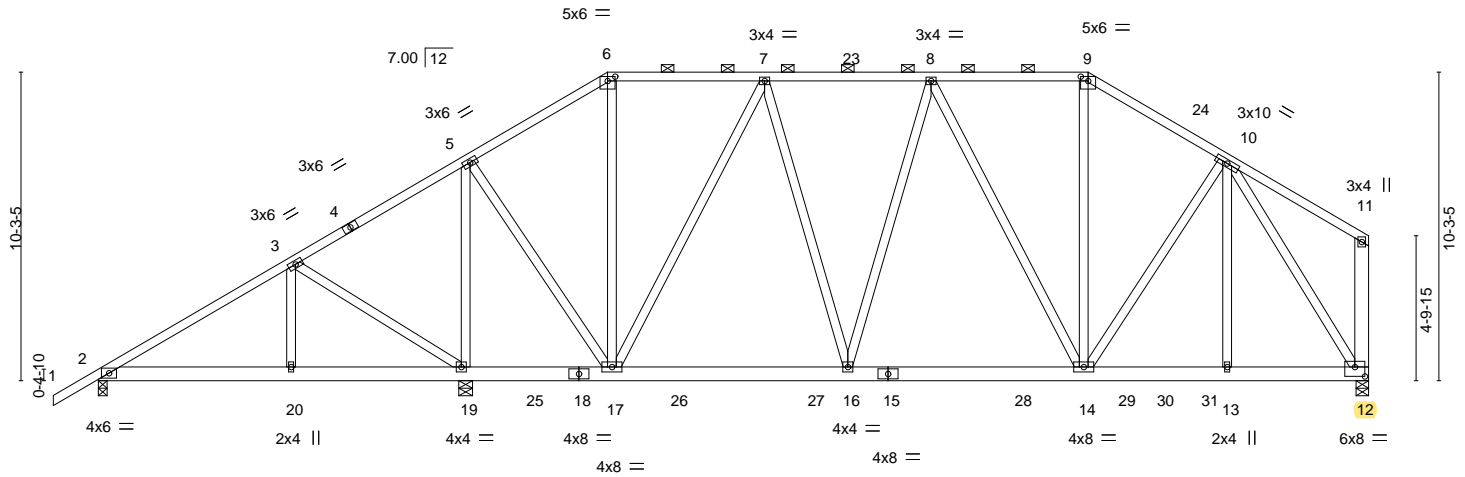


Plate Offsets (X,Y)-- [6:0-3-0,0-1-12], [9:0-3-0,0-1-12], [12:0-4-0,0-3-12]

LOADING (psf)	SPACING-	2-0-0	CSI.	DEFL.	in (loc)	l/defl	L/d	PLATES	GRIP
TCLL 20.0	Plate Grip DOL	1.25	TC 0.46	Vert(LL)	-0.06 13-14	>999	240	MT20	244/190
TCDL 7.0	Lumber DOL	1.25	BC 0.69	Vert(CT)	-0.11 13-14	>999	180		
BCLL 0.0 *	Rep Stress Incr	NO	WB 0.97	Horz(CT)	0.02 12	n/a	n/a		
BCDL 10.0	Code FBC2020/TPI2014		Matrix-MS					Weight: 684 lb	FT = 20%

LUMBER-
TOP CHORD 2x4 SP No.2
BOT CHORD 2x6 SP No.2
WEBS 2x4 SP No.3 *Except*
11-12: 2x6 SP No.2

BRACING-
TOP CHORD Structural wood sheathing directly applied or 6-0-0 oc purlins, except end verticals, and 2-0-0 oc purlins (6-0-0 max.); 6-9.
BOT CHORD Rigid ceiling directly applied or 10-0-0 oc bracing, Except: 6-0-0 oc bracing: 17-19.

REACTIONS. (size) 2=0-3-8, 19=0-5-8, 12=0-5-0
Max Horz 2=292(LC 5)
Max Uplift 2=-96(LC 27), 19=-614(LC 5), **12=-1136(LC 4)**
Max Grav 2=410(LC 19), 19=2514(LC 2), 12=3620(LC 2)

FORCES. (lb) - Max. Comp./Max. Ten. - All forces 250 (lb) or less except when shown.
TOP CHORD 2-3=-342/80, 3-5=-168/341, 5-6=-818/242, 6-7=-657/243, 7-8=-1540/444,
8-9=-1936/589, 9-10=-2411/714, 10-11=-426/222, 11-12=-629/306
BOT CHORD 2-20=-222/331, 19-20=-222/331, 17-19=-285/173, 16-17=-377/1274, 14-16=-480/1725,
13-14=-526/1884, 12-13=-526/1884
WEBS 3-20=-87/274, 3-19=-512/212, 5-19=-2035/514, 5-17=-334/1552, 7-17=-1356/416,
7-16=-236/987, 8-16=-747/311, 8-14=-172/467, 9-14=-248/951, 10-14=-451/279,
10-13=-215/906, 10-12=-3414/926

- NOTES-**
- 2-ply truss to be connected together with 10d (0.131"x3") nails as follows:
Top chords connected as follows: 2x4 - 1 row at 0-9-0 oc, 2x6 - 2 rows staggered at 0-9-0 oc.
Bottom chords connected as follows: 2x6 - 2 rows staggered at 0-7-0 oc.
Webs connected as follows: 2x4 - 1 row at 0-9-0 oc.
 - All loads are considered equally applied to all plies, except if noted as front (F) or back (B) face in the LOAD CASE(S) section. Ply to ply connections have been provided to distribute only loads noted as (F) or (B), unless otherwise indicated.
 - Unbalanced roof live loads have been considered for this design.
 - Wind: ASCE 7-16; Vult=130mph (3-second gust) Vasd=101mph; TCDL=4.2psf; BCDL=3.0psf; h=22ft; Cat. II; Exp B; Encl., GCpi=0.18; MWFRS (envelope) gable end zone; end vertical right exposed; porch left exposed; Lumber DOL=1.60 plate grip DOL=1.60
 - Building Designer / Project engineer responsible for verifying applied roof live load shown covers rain loading requirements specific to the use of this truss component.
 - Provide adequate drainage to prevent water ponding.
 - This truss has been designed for a 10.0 psf bottom chord live load nonconcurrent with any other live loads.
 - * This truss has been designed for a live load of 20.0psf on the bottom chord in all areas where a rectangle 3-6-0 tall by 2-0-0 wide will fit between the bottom chord and any other members, with BCDL = 10.0psf.
 - Provide mechanical connection (by others) of truss to bearing plate capable of withstanding 100 lb uplift at joint(s) 2 except (jt=lb) 19=614, 12=1136.
 - Girder carries tie-in span(s): 7-2-0 from 36-0-0 to 42-3-8
 - Graphical purlin representation does not depict the size or the orientation of the purlin along the top and/or bottom chord.

This item has been electronically signed and sealed by ORegan, Philip, PE using a Digital Signature. Printed copies of this document are not considered signed and sealed and the signature must be verified on any electronic copies.

Philip J. O'Regan PE No.58126
MiTek USA, Inc. FL Cert 6834
6904 Parke East Blvd. Tampa FL 33610
Date:

August 3,2021

Continued on page 2

WARNING - Verify design parameters and READ NOTES ON THIS AND INCLUDED MITEK REFERENCE PAGE MII-7473 rev. 5/19/2020 BEFORE USE.
Design valid for use only with MiTek® connectors. This design is based only upon parameters shown, and is for an individual building component, not a truss system. Before use, the building designer must verify the applicability of design parameters and properly incorporate this design into the overall building design. Bracing indicated is to prevent buckling of individual truss web and/or chord members only. Additional temporary and permanent bracing is always required for stability and to prevent collapse with possible personal injury and property damage. For general guidance regarding the fabrication, storage, delivery, erection and bracing of trusses and truss systems, see **ANSI/TPI1 Quality Criteria, DSB-89 and BCSI Building Component Safety Information** available from Truss Plate Institute, 2670 Crain Highway, Suite 203 Waldorf, MD 20601

6904 Parke East Blvd.
Tampa, FL 33610

Job 2868120	Truss T15	Truss Type PIGGYBACK BASE GIRDE	Qty 1	Ply 2	AMIRA BLDRS. - HICKS RES. T24891421
----------------	--------------	------------------------------------	----------	----------	--

Builders FirstSource (Lake City,FL), Lake City, FL - 32055,

8.430 s Jun 2 2021 MiTek Industries, Inc. Mon Aug 2 15:33:37 2021 Page 2
ID:OGVM30uikhC8Ej8DWD31_JyuDyN-2IV6XC5FPF4DP?UoCTG7zLmyDink0vTgRIZ1yrrTS

NOTES-

- 12) Hanger(s) or other connection device(s) shall be provided sufficient to support concentrated load(s) 1434 lb down and 377 lb up at 34'-1-9 on bottom chord. The design/selection of such connection device(s) is the responsibility of others.

LOAD CASE(S) Standard

- 1) Dead + Roof Live (balanced): Lumber Increase=1.25, Plate Increase=1.25
Uniform Loads (plf)
Vert: 1-6=-54, 6-9=-54, 9-24=-54, 2-31=-20, 12-31=-116(F=-96)
Concentrated Loads (lb)
Vert: 29=-1319(F)
Trapezoidal Loads (plf)
Vert: 24=-224-to-11=-270

WARNING - Verify design parameters and READ NOTES ON THIS AND INCLUDED MITEK REFERENCE PAGE MII-7473 rev. 5/19/2020 BEFORE USE.

Design valid for use only with MiTek® connectors. This design is based only upon parameters shown, and is for an individual building component, not a truss system. Before use, the building designer must verify the applicability of design parameters and properly incorporate this design into the overall building design. Bracing indicated is to prevent buckling of individual truss web and/or chord members only. Additional temporary and permanent bracing is always required for stability and to prevent collapse with possible personal injury and property damage. For general guidance regarding the fabrication, storage, delivery, erection and bracing of trusses and truss systems, see **ANSI/TPI1 Quality Criteria, DSB-89 and BCSI Building Component Safety Information** available from Truss Plate Institute, 2670 Crain Highway, Suite 203 Waldorf, MD 20601

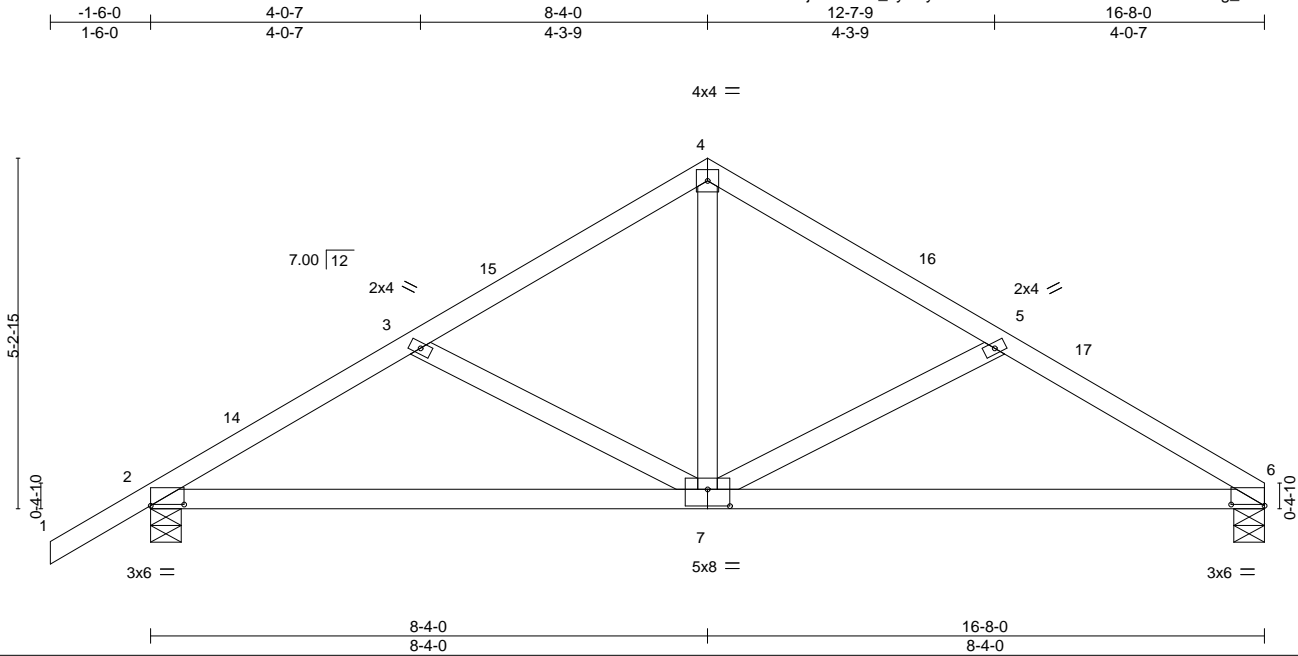


6904 Parke East Blvd.
Tampa, FL 36610

Job 2868120	Truss T17	Truss Type Common	Qty 1	Ply 1	AMIRA BLDRS. - HICKS RES.	T24891423
----------------	--------------	----------------------	----------	----------	---------------------------	-----------

Builders FirstSource (Lake City,FL), Lake City, FL - 32055,

8.430 s Jun 2 2021 MiTek Industries, Inc. Mon Aug 2 15:33:40 2021 Page 1
ID:OGVM30uikhC8Ej8DWD31_JyuDyN-SKAF9E77IASnGTc3UL1zkbzQL9Gg_I8L9efQAMyrrTP



Scale = 1:34.5

Plate Offsets (X,Y)-- [2:0-6-0,0-0-3], [6:0-6-0,0-0-3], [7:0-4-0,0-3-0]

LOADING (psf)	SPACING-	2-0-0	CSI.	DEFL.	in (loc)	l/defl	L/d	PLATES	GRIP	
TCLL 20.0	Plate Grip DOL	1.25	TC 0.31	Vert(LL)	-0.08	7-10	>999	240	MT20	244/190
TCDL 7.0	Lumber DOL	1.25	BC 0.61	Vert(CT)	-0.16	7-10	>999	180		
BCLL 0.0 *	Rep Stress Incr	YES	WB 0.18	Horz(CT)	0.02	6	n/a	n/a		
BCDL 10.0	Code	FBC2020/TPI2014	Matrix-MS						Weight: 78 lb	FT = 20%

LUMBER-
TOP CHORD 2x4 SP No.2
BOT CHORD 2x4 SP No.2
WEBS 2x4 SP No.3

BRACING-
TOP CHORD Structural wood sheathing directly applied or 5-10-12 oc purlins.
BOT CHORD Rigid ceiling directly applied or 10-0-0 oc bracing.

REACTIONS. (size) 6=0-5-8, 2=0-5-8
Max Horz 2=123(LC 9)
Max Uplift 6=131(LC 13), 2=167(LC 12)
Max Grav 6=613(LC 1), 2=701(LC 1)

FORCES. (lb) - Max. Comp./Max. Ten. - All forces 250 (lb) or less except when shown.
TOP CHORD 2-3=-923/224, 3-4=-702/173, 4-5=-703/180, 5-6=-932/230
BOT CHORD 2-7=-207/777, 6-7=-157/792
WEBS 4-7=-71/462, 5-7=-293/176, 3-7=-278/167

- NOTES-**
- Unbalanced roof live loads have been considered for this design.
 - Wind: ASCE 7-16; Vult=130mph (3-second gust) Vasd=101mph; TCDL=4.2psf; BCDL=3.0psf; h=22ft; Cat. II; Exp B; Encl., GCpi=0.18; MWFRS (envelope) gable end zone and C-C Exterior(2E) -1-6-0 to 1-6-0, Interior(1) 1-6-0 to 8-4-0, Exterior(2R) 8-4-0 to 11-4-0, Interior(1) 11-4-0 to 16-8-0 zone;C-C for members and forces & MWFRS for reactions shown; Lumber DOL=1.60 plate grip DOL=1.60
 - Building Designer / Project engineer responsible for verifying applied roof live load shown covers rain loading requirements specific to the use of this truss component.
 - This truss has been designed for a 10.0 psf bottom chord live load nonconcurrent with any other live loads.
 - * This truss has been designed for a live load of 20.0psf on the bottom chord in all areas where a rectangle 3-6-0 tall by 2-0-0 wide will fit between the bottom chord and any other members.
 - Provide mechanical connection (by others) of truss to bearing plate capable of withstanding 100 lb uplift at joint(s) except (jt=lb) 6=131, 2=167.

This item has been electronically signed and sealed by O'Regan, Philip, PE using a Digital Signature. Printed copies of this document are not considered signed and sealed and the signature must be verified on any electronic copies.

Philip J. O'Regan PE No.58126
MiTek USA, Inc. FL Cert 6634
6904 Parke East Blvd. Tampa FL 33610
Date:

August 3,2021

WARNING - Verify design parameters and READ NOTES ON THIS AND INCLUDED MITEK REFERENCE PAGE MII-7473 rev. 5/19/2020 BEFORE USE.

Design valid for use only with MiTek® connectors. This design is based only upon parameters shown, and is for an individual building component, not a truss system. Before use, the building designer must verify the applicability of design parameters and properly incorporate this design into the overall building design. Bracing indicated is to prevent buckling of individual truss web and/or chord members only. Additional temporary and permanent bracing is always required for stability and to prevent collapse with possible personal injury and property damage. For general guidance regarding the fabrication, storage, delivery, erection and bracing of trusses and truss systems, see

ANSI/TPI1 Quality Criteria, DSB-89 and BCSI Building Component

Safety Information available from Truss Plate Institute, 2670 Crain Highway, Suite 203 Waldorf, MD 20601

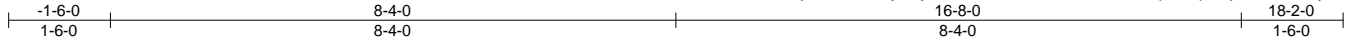


6904 Parke East Blvd.
Tampa, FL 33610

Job 2868120	Truss T17G	Truss Type Common Supported Gable	Qty 1	Ply 1	AMIRA BLDRS. - HICKS RES. Job Reference (optional)	T24891424
----------------	---------------	--------------------------------------	----------	----------	---	-----------

Builders FirstSource (Lake City,FL), Lake City, FL - 32055,

8.430 s Jun 2 2021 MiTek Industries, Inc. Mon Aug 2 15:33:41 2021 Page 1
ID:OGVM30uikhC8Ej8DWD31_JyuDyN-wWkdNa8ITUaetCBG12YCHpWdqZkujnUUOIPzoyrrTO



Scale = 1:34.0

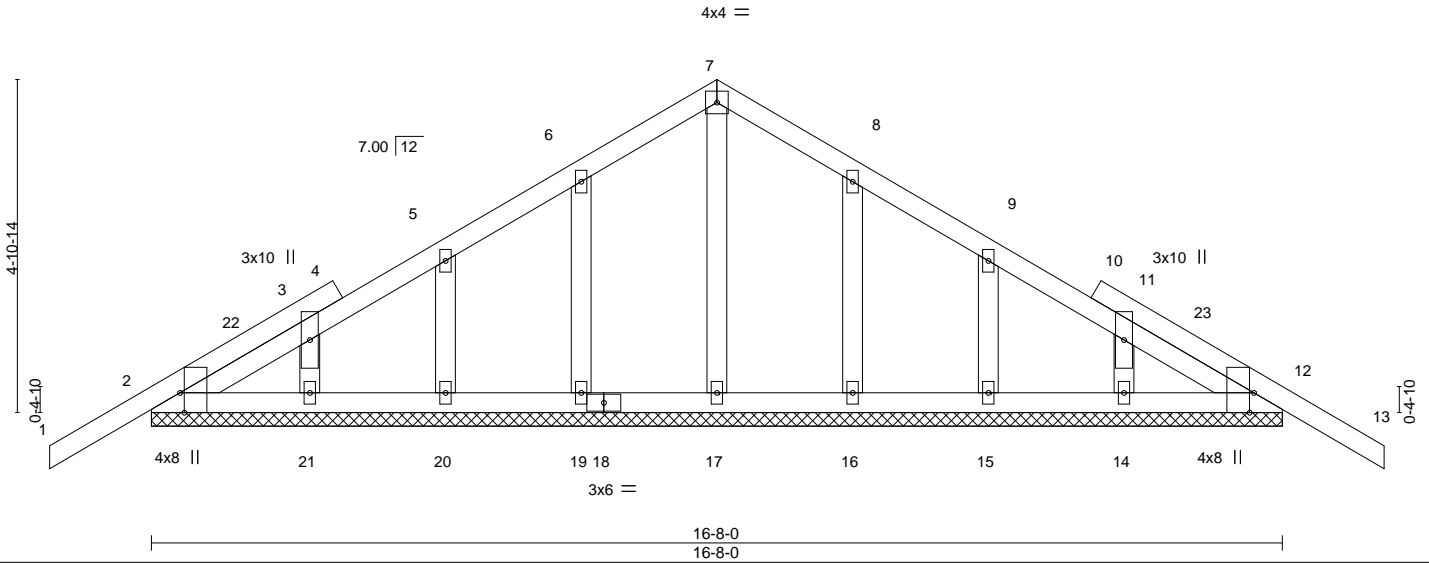


Plate Offsets (X,Y)-- [2:0-3-8,Edge], [12:0-3-8,Edge]									
LOADING (psf)	SPACING-	2-0-0	CSI.	DEFL.	in (loc)	l/defl	L/d	PLATES	GRIP
TCLL 20.0	Plate Grip DOL	1.25	TC 0.13	Vert(LL)	-0.01	13	n/r	MT20	244/190
TCDL 7.0	Lumber DOL	1.25	BC 0.04	Vert(CT)	-0.01	13	n/r		
BCLL 0.0 *	Rep Stress Incr	YES	WB 0.04	Horz(CT)	0.00	12	n/a		
BCDL 10.0	Code	FBC2020/TPI2014	Matrix-S					Weight: 91 lb	FT = 20%

LUMBER-
TOP CHORD 2x4 SP No.2
BOT CHORD 2x4 SP No.2
OTHERS 2x4 SP No.3

BRACING-
TOP CHORD Structural wood sheathing directly applied or 6-0-0 oc purlins.
BOT CHORD Rigid ceiling directly applied or 10-0-0 oc bracing.

REACTIONS. All bearings 16-8-0.
(lb) - Max Horz 2=122(LC 10)
Max Uplift All uplift 100 lb or less at joint(s) 2, 12, 19, 20, 21, 16, 15, 14
Max Grav All reactions 250 lb or less at joint(s) 2, 12, 17, 19, 20, 21, 16, 15, 14

FORCES. (lb) - Max. Comp./Max. Ten. - All forces 250 (lb) or less except when shown.

- NOTES-**
- Unbalanced roof live loads have been considered for this design.
 - Wind: ASCE 7-16; Vult=130mph (3-second gust) Vasd=101mph; TCDL=4.2psf; BCDL=3.0psf; h=22ft; Cat. II; Exp B; Encl., GCpi=0.18; MWFRS (envelope) gable end zone and C-C Corner(3E) -1-6-0 to 1-6-0, Exterior(2N) 1-6-0 to 8-4-0, Corner(3R) 8-4-0 to 11-4-0, Exterior(2N) 11-4-0 to 18-2-0 zone;C-C for members and forces & MWFRS for reactions shown; Lumber DOL=1.60 plate grip DOL=1.60
 - Truss designed for wind loads in the plane of the truss only. For studs exposed to wind (normal to the face), see Standard Industry Gable End Details as applicable, or consult qualified building designer as per ANSI/TPI 1.
 - Building Designer / Project engineer responsible for verifying applied roof live load shown covers rain loading requirements specific to the use of this truss component.
 - All plates are 2x4 MT20 unless otherwise indicated.
 - Gable requires continuous bottom chord bearing.
 - Gable studs spaced at 2-0-0 oc.
 - This truss has been designed for a 10.0 psf bottom chord live load nonconcurrent with any other live loads.
 - * This truss has been designed for a live load of 20.0psf on the bottom chord in all areas where a rectangle 3-6-0 tall by 2-0-0 wide will fit between the bottom chord and any other members.
 - Provide mechanical connection (by others) of truss to bearing plate capable of withstanding 100 lb uplift at joint(s) 2, 12, 19, 20, 21, 16, 15, 14.

This item has been electronically signed and sealed by O'Regan, Philip, PE using a Digital Signature. Printed copies of this document are not considered signed and sealed and the signature must be verified on any electronic copies.

Philip J. O'Regan PE No.58126
MiTek USA, Inc. FL Cert 6634
6904 Parke East Blvd. Tampa FL 33610
Date:

August 3,2021

WARNING - Verify design parameters and READ NOTES ON THIS AND INCLUDED MITEK REFERENCE PAGE MII-7473 rev. 5/19/2020 BEFORE USE.

Design valid for use only with MiTek® connectors. This design is based only upon parameters shown, and is for an individual building component, not a truss system. Before use, the building designer must verify the applicability of design parameters and properly incorporate this design into the overall building design. Bracing indicated is to prevent buckling of individual truss web and/or chord members only. Additional temporary and permanent bracing is always required for stability and to prevent collapse with possible personal injury and property damage. For general guidance regarding the fabrication, storage, delivery, erection and bracing of trusses and truss systems, see

ANSI/TPI1 Quality Criteria, DSB-89 and BCSI Building Component

Safety Information available from Truss Plate Institute, 2670 Crain Highway, Suite 203 Waldorf, MD 20601



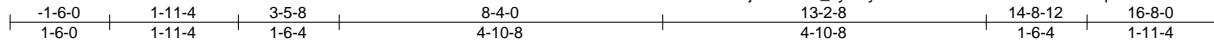
6904 Parke East Blvd.
Tampa, FL 36610

Job 2868120	Truss T18	Truss Type Roof Special	Qty 4	Ply 1	AMIRA BLDRS. - HICKS RES. Job Reference (optional)	T24891425
----------------	--------------	----------------------------	----------	----------	---	-----------

Builders FirstSource (Lake City,FL), Lake City, FL - 32055,

8.430 s Jun 2 2021 MiTek Industries, Inc. Mon Aug 2 15:33:42 2021 Page 1

ID:OGVM30uikhC8Ej8DWD31_JyuDyN-Oil?aw9OEoiVVmmSbm3Rq03mRzwQS7Yedy8WFFyrrTN



Scale = 1:34.7

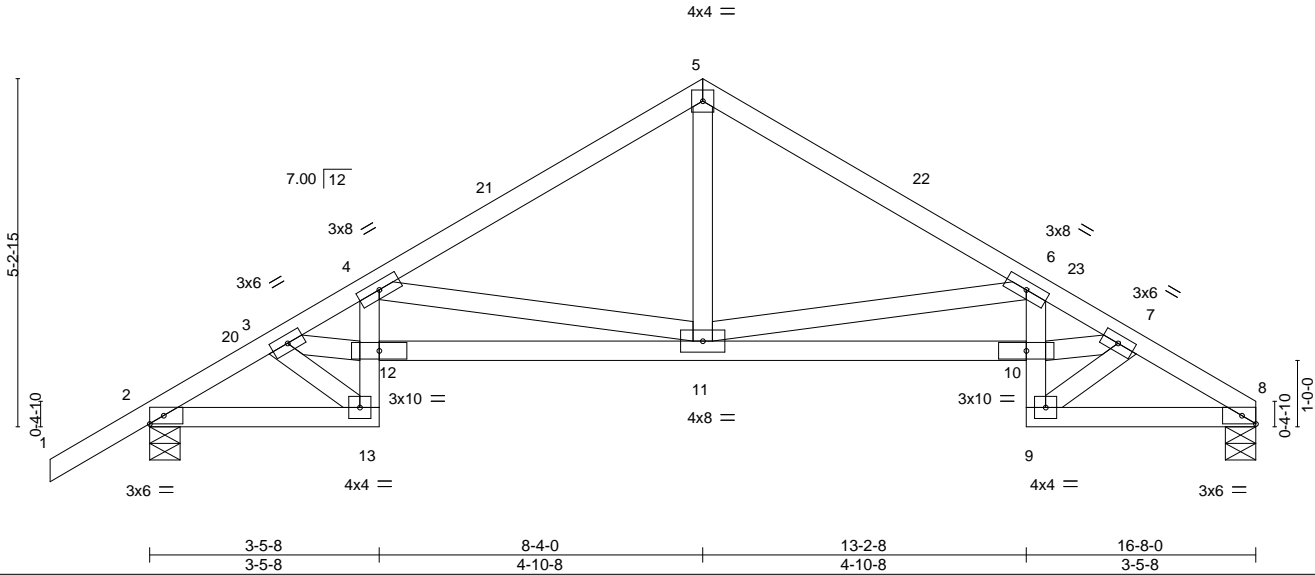


Plate Offsets (X,Y)--	[8:0-2-8,Edge]								
LOADING (psf)	SPACING-	2-0-0	CSI.	DEFL.	in (loc)	l/defl	L/d	PLATES	GRIP
TCLL 20.0	Plate Grip DOL 1.25		TC 0.27	Vert(LL) -0.07	10-11	>999	240	MT20	244/190
TCDL 7.0	Lumber DOL 1.25		BC 0.66	Vert(CT) -0.15	10-11	>999	180		
BCLL 0.0 *	Rep Stress Incr YES		WB 0.50	Horz(CT) 0.11	8	n/a	n/a		
BCDL 10.0	Code FBC2020/TPI2014		Matrix-MS					Weight: 89 lb	FT = 20%

LUMBER-			BRACING-	
TOP CHORD	2x4 SP No.2		TOP CHORD	Structural wood sheathing directly applied or 4-5-5 oc purlins.
BOT CHORD	2x4 SP No.2 *Except*		BOT CHORD	Rigid ceiling directly applied or 9-0-2 oc bracing.
	4-13,6-9: 2x4 SP No.3			
WEBS	2x4 SP No.3			

REACTIONS. (size) 8=0-5-8, 2=0-5-8
 Max Horz 2=123(LC 9)
 Max Uplift 8=131(LC 13), 2=167(LC 12)
 Max Grav 8=613(LC 1), 2=701(LC 1)

FORCES. (lb) - Max. Comp./Max. Ten. - All forces 250 (lb) or less except when shown.
 TOP CHORD 2-3=-965/199, 3-4=-1681/387, 4-5=-861/192, 5-6=-861/198, 6-7=-1713/362, 7-8=-1004/222
 BOT CHORD 2-13=-199/786, 12-13=-108/506, 4-12=-62/420, 11-12=-432/1614, 10-11=-323/1648, 9-10=-90/539, 6-10=-52/450, 8-9=-164/831
 WEBS 5-11=-78/525, 6-11=-981/329, 7-10=-238/1316, 7-9=-828/156, 4-11=-976/356, 3-12=-324/1299, 3-13=-784/190

NOTES-

- Unbalanced roof live loads have been considered for this design.
- Wind: ASCE 7-16; Vult=130mph (3-second gust) Vasd=101mph; TCDL=4.2psf; BCDL=3.0psf; h=22ft; Cat. II; Exp B; Encl., GCpi=0.18; MWFRS (envelope) gable end zone and C-C Exterior(2E) -1-6-0 to 1-6-0, Interior(1) 1-6-0 to 8-4-0, Exterior(2R) 8-4-0 to 11-4-0, Interior(1) 11-4-0 to 16-8-0 zone;C-C for members and forces & MWFRS for reactions shown; Lumber DOL=1.60 plate grip DOL=1.60
- Building Designer / Project engineer responsible for verifying applied roof live load shown covers rain loading requirements specific to the use of this truss component.
- This truss has been designed for a 10.0 psf bottom chord live load nonconcurrent with any other live loads.
- * This truss has been designed for a live load of 20.0psf on the bottom chord in all areas where a rectangle 3-6-0 tall by 2-0-0 wide will fit between the bottom chord and any other members.
- Provide mechanical connection (by others) of truss to bearing plate capable of withstanding 100 lb uplift at joint(s) except (jt=lb) 8=131, 2=167.

This item has been electronically signed and sealed by O'Regan, Philip, PE using a Digital Signature. Printed copies of this document are not considered signed and sealed and the signature must be verified on any electronic copies.

Philip J. O'Regan PE No.58126
 MiTek USA, Inc. FL Cert 6634
 6904 Parke East Blvd. Tampa FL 33610
 Date:

August 3,2021

WARNING - Verify design parameters and READ NOTES ON THIS AND INCLUDED MITEK REFERENCE PAGE MII-7473 rev. 5/19/2020 BEFORE USE.

Design valid for use only with MiTek® connectors. This design is based only upon parameters shown, and is for an individual building component, not a truss system. Before use, the building designer must verify the applicability of design parameters and properly incorporate this design into the overall building design. Bracing indicated is to prevent buckling of individual truss web and/or chord members only. Additional temporary and permanent bracing is always required for stability and to prevent collapse with possible personal injury and property damage. For general guidance regarding the fabrication, storage, delivery, erection and bracing of trusses and truss systems, see

ANSI/TPI1 Quality Criteria, DSB-89 and BCSI Building Component

Safety Information available from Truss Plate Institute, 2670 Crain Highway, Suite 203 Waldorf, MD 20601



6904 Parke East Blvd.
 Tampa, FL 33610

Job 2868120	Truss T19	Truss Type Half Hip Girder	Qty 1	Ply 2	AMIRA BLDRS. - HICKS RES. Job Reference (optional)	T24891426
----------------	--------------	-------------------------------	----------	----------	---	-----------

Builders FirstSource (Lake City,FL), Lake City, FL - 32055, 8.430 s Jun 2 2021 MiTek Industries, Inc. Mon Aug 2 15:33:44 2021 Page 1
 ID:OGVM30uikhC8Ej8DWD31_JyuDyN-L5Qm?bAemPyDk4vqjA5vwR8?Nmb5vwZx4FddJ7yrrTL

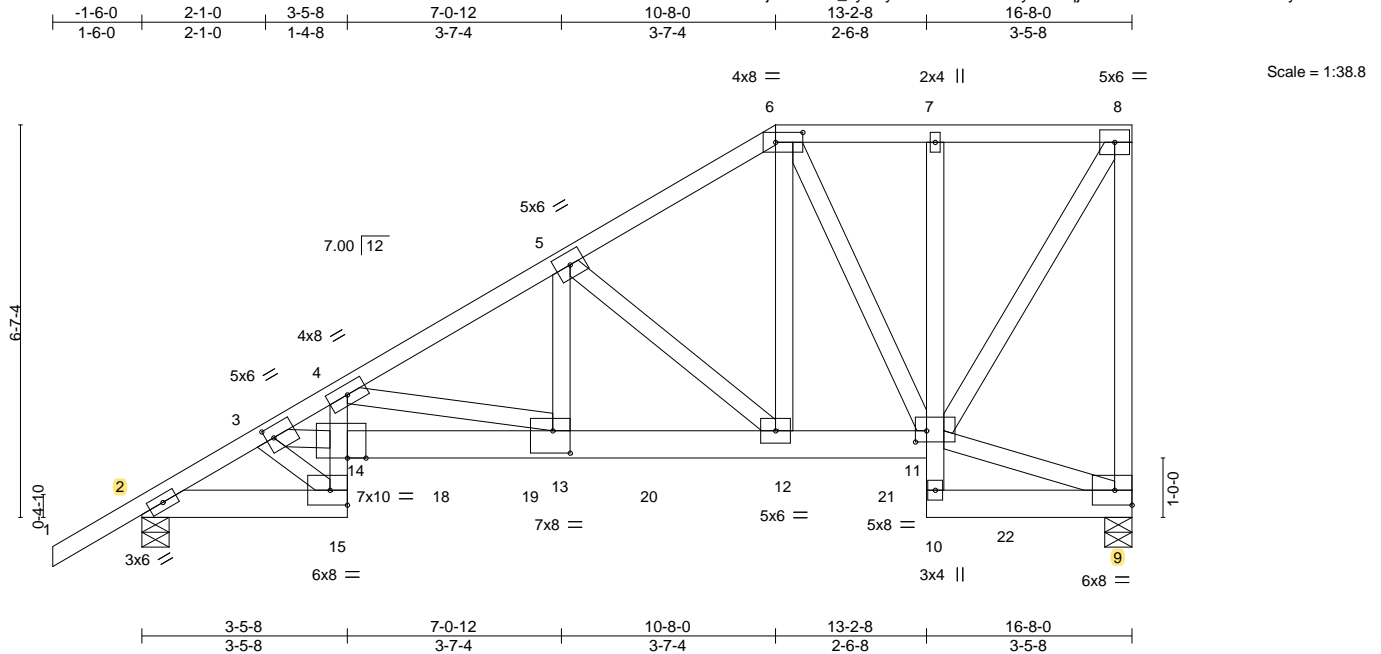


Plate Offsets (X,Y)-- [3:0-1-8,0-2-4], [6:0-5-8,0-2-0], [11:0-2-4,0-2-4], [13:0-3-8,0-4-8], [14:0-3-12,0-0-0]

LOADING (psf)	SPACING-	2-0-0	CSI.	DEFL.	in (loc)	l/defl	L/d	PLATES	GRIP
TCLL 20.0	Plate Grip DOL	1.25	TC 0.75	Vert(LL)	-0.16 13-14	>999	240	MT20	244/190
TCDL 7.0	Lumber DOL	1.25	BC 0.71	Vert(CT)	-0.30 13-14	>663	180		
BCLL 0.0 *	Rep Stress Incr	NO	WB 0.92	Horz(CT)	0.16 9	n/a	n/a		
BCDL 10.0	Code FBC2020/TPI2014		Matrix-MS					Weight: 273 lb	FT = 20%

LUMBER-	BRACING-
TOP CHORD 2x4 SP No.2	TOP CHORD Structural wood sheathing directly applied or 2-9-12 oc purlins, except end verticals.
BOT CHORD 2x6 SP No.2 *Except* 4-15: 2x4 SP M 31, 11-14: 2x6 SP M 26, 7-10: 2x4 SP No.3	BOT CHORD Rigid ceiling directly applied or 10-0-0 oc bracing.
WEBS 2x4 SP No.3 *Except* 3-14: 2x4 SP No.2	

REACTIONS. (size) 9=0-5-8, 2=0-5-8
 Max Horz 2=247(LC 8)
 Max Uplift 9=-1011(LC 8), 2=-904(LC 8)
 Max Grav 9=4139(LC 2), 2=3270(LC 1)

FORCES. (lb) - Max. Comp./Max. Ten. - All forces 250 (lb) or less except when shown.
 TOP CHORD 2-3=-6069/1657, 3-4=-11193/3259, 4-5=-6922/1857, 5-6=-3754/936, 6-7=-2224/562, 7-8=-2198/555, 8-9=-3688/932
 BOT CHORD 2-15=-1573/5070, 14-15=-984/3194, 4-14=-1039/3264, 13-14=-3269/10539, 12-13=-1722/5979, 11-12=-859/3300, 10-11=-131/702
 WEBS 3-15=-4583/1442, 3-14=-2520/8115, 4-13=-4749/1590, 5-13=-1071/3695, 5-12=-3679/1156, 6-12=-972/3859, 6-11=-2355/649, 8-11=-1066/4215

NOTES-

- 2-ply truss to be connected together with 10d (0.131"x3") nails as follows:
 Top chords connected as follows: 2x4 - 1 row at 0-7-0 oc.
 Bottom chords connected as follows: 2x6 - 2 rows staggered at 0-9-0 oc, 2x4 - 1 row at 0-9-0 oc.
 Webs connected as follows: 2x4 - 1 row at 0-9-0 oc.
- All loads are considered equally applied to all plies, except if noted as front (F) or back (B) face in the LOAD CASE(S) section. Ply to ply connections have been provided to distribute only loads noted as (F) or (B), unless otherwise indicated.
- Unbalanced roof live loads have been considered for this design.
- Wind: ASCE 7-16; Vult=130mph (3-second gust) Vasd=101mph; TCDL=4.2psf; BCDL=3.0psf; h=22ft; Cat. II; Exp B; Encl., GCpi=0.18; MWFRS (envelope) gable end zone; Lumber DOL=1.60 plate grip DOL=1.60
- Building Designer / Project engineer responsible for verifying applied roof live load shown covers rain loading requirements specific to the use of this truss component.
- Provide adequate drainage to prevent water ponding.
- This truss has been designed for a 10.0 psf bottom chord live load nonconcurrent with any other live loads.
- * This truss has been designed for a live load of 20.0psf on the bottom chord in all areas where a rectangle 3-6-0 tall by 2-0-0 wide will fit between the bottom chord and any other members.
- Provide mechanical connection (by others) of truss to bearing plate capable of withstanding 100 lb uplift at joint(s) except (jt=lb) 9=1011, 2=904.
- Hanger(s) or other connection device(s) shall be provided sufficient to support concentrated load(s) 1356 lb down and 549 lb up at 5-0-12, 988 lb down and 218 lb up at 6-6-12, 1005 lb down and 222 lb up at 8-6-12, 1005 lb down and 222 lb up at 10-6-12, and 1005 lb down and 222 lb up at 12-6-12, and 1041 lb down and 234 lb up at 14-6-12 on bottom chord. The design/selection of such connection device(s) is the responsibility of others.


This item has been electronically signed and sealed by ORegan, Philip, PE using a Digital Signature. Printed copies of this document are not considered signed and sealed and the signature must be verified on any electronic copies.

Philip J. O'Regan PE No.58126
 MiTek USA, Inc. FL Cert 6834
 6904 Parke East Blvd. Tampa FL 33610
 Date:

August 3,2021

Continued on page 2

WARNING - Verify design parameters and READ NOTES ON THIS AND INCLUDED MITEK REFERENCE PAGE MII-7473 rev. 5/19/2020 BEFORE USE.
 Design valid for use only with MiTek® connectors. This design is based only upon parameters shown, and is for an individual building component, not a truss system. Before use, the building designer must verify the applicability of design parameters and properly incorporate this design into the overall building design. Bracing indicated is to prevent buckling of individual truss web and/or chord members only. Additional temporary and permanent bracing is always required for stability and to prevent collapse with possible personal injury and property damage. For general guidance regarding the fabrication, storage, delivery, erection and bracing of trusses and truss systems, see **ANSI/TPI1 Quality Criteria, DSB-89 and BCSI Building Component Safety Information** available from Truss Plate Institute, 2670 Crain Highway, Suite 203 Waldorf, MD 20601



6904 Parke East Blvd.
 Tampa, FL 33610

Job 2868120	Truss T19	Truss Type Half Hip Girder	Qty 1	Ply 2	AMIRA BLDRS. - HICKS RES. T24891426
----------------	--------------	-------------------------------	----------	-----------------	--

Builders FirstSource (Lake City,FL), Lake City, FL - 32055,

8.430 s Jun 2 2021 MiTek Industries, Inc. Mon Aug 2 15:33:44 2021 Page 2
ID:OGVM30uikhC8Ej8DWD31_JyuDyN-L5Qm?bAemPyDk4vqjA5vvR8?Nmb5wvZx4FddJ7yrrTL

LOAD CASE(S) Standard

1) Dead + Roof Live (balanced): Lumber Increase=1.25, Plate Increase=1.25

Uniform Loads (plf)

Vert: 1-6=-54, 6-8=-54, 2-15=-20, 11-14=-20, 9-10=-20

Concentrated Loads (lb)

Vert: 12=-918(F) 18=-1356(F) 19=-905(F) 20=-918(F) 21=-918(F) 22=-918(F)

WARNING - Verify design parameters and READ NOTES ON THIS AND INCLUDED MITEK REFERENCE PAGE MII-7473 rev. 5/19/2020 BEFORE USE.

Design valid for use only with MiTek® connectors. This design is based only upon parameters shown, and is for an individual building component, not a truss system. Before use, the building designer must verify the applicability of design parameters and properly incorporate this design into the overall building design. Bracing indicated is to prevent buckling of individual truss web and/or chord members only. Additional temporary and permanent bracing is always required for stability and to prevent collapse with possible personal injury and property damage. For general guidance regarding the fabrication, storage, delivery, erection and bracing of trusses and truss systems, see **ANSI/TPI1 Quality Criteria, DSB-89 and BCSI Building Component Safety Information** available from Truss Plate Institute, 2670 Crain Highway, Suite 203 Waldorf, MD 20601

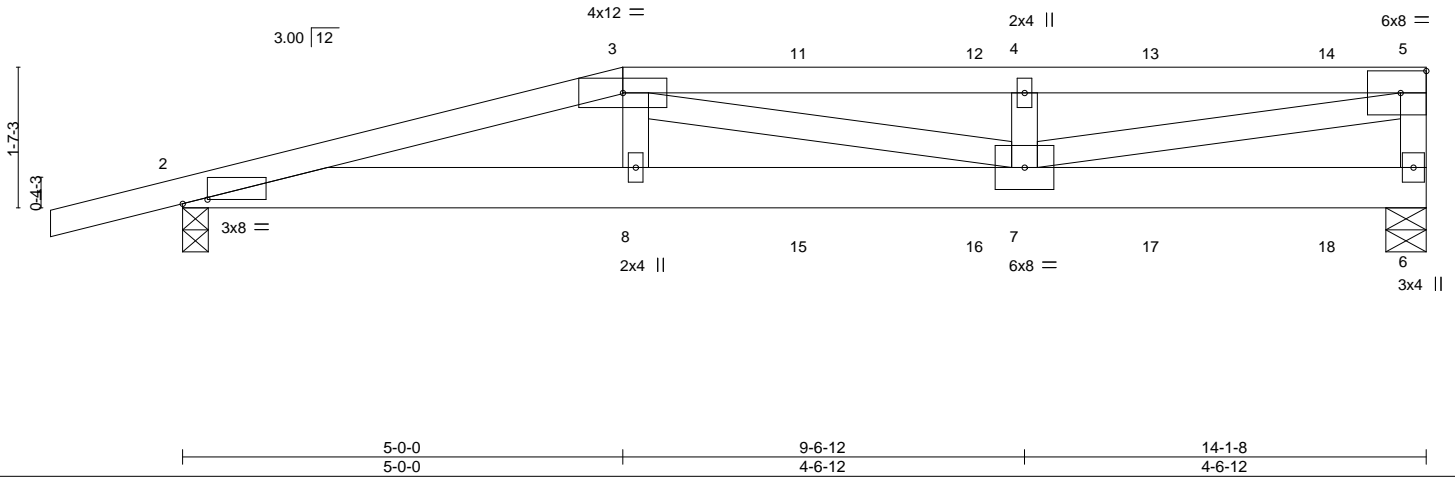


6904 Parke East Blvd.
Tampa, FL 36610

Job 2868120	Truss T20	Truss Type Half Hip Girder	Qty 1	Ply 1	AMIRA BLDRS. - HICKS RES.	T24891427
Builders FirstSource (Lake City, FL), Lake City, FL - 32055,					8.430 s Jun 2 2021 MiTek Industries, Inc. Mon Aug 2 15:33:45 2021 Page 1	
					ID:OGVM30uikhC8Ej8DWD31_JyuDyN-pH_8CxBGXj44MEU1Guc8RfgDoA_afPG4JvNArayrrTK	
Job Reference (optional)						



Scale = 1:26.2



LOADING (psf)	SPACING-	2-0-0	CSI.	DEFL.	in (loc)	l/defl	L/d	PLATES	GRIP	
TCLL 20.0	Plate Grip DOL	1.25	TC 0.52	Vert(LL)	0.14	7-8	>999	240	MT20	244/190
TCDL 7.0	Lumber DOL	1.25	BC 0.57	Vert(CT)	-0.20	7-8	>858	180		
BCLL 0.0 *	Rep Stress Incr	NO	WB 0.76	Horz(CT)	0.02	6	n/a	n/a		
BCDL 10.0	Code	FBC2020/TPI2014	Matrix-MS							
									Weight: 73 lb	FT = 20%

LUMBER-	BRACING-
TOP CHORD 2x4 SP No.2	TOP CHORD Structural wood sheathing directly applied or 3-6-5 oc purlins, except end verticals.
BOT CHORD 2x6 SP No.2	BOT CHORD Rigid ceiling directly applied or 6-8-12 oc bracing.
WEBS 2x4 SP No.3	

REACTIONS. (size) 6=0-5-8, 2=0-3-8
 Max Horz 2=63(LC 23)
 Max Uplift 6=-452(LC 4), 2=-440(LC 4)
 Max Grav 6=851(LC 1), 2=812(LC 1)

FORCES. (lb) - Max. Comp./Max. Ten. - All forces 250 (lb) or less except when shown.
 TOP CHORD 2-3=-2262/1179, 3-4=-2071/1100, 4-5=-2071/1100, 5-6=-709/377
 BOT CHORD 2-8=-1157/2181, 7-8=-1175/2214
 WEBS 3-8=-147/354, 4-7=-397/210, 5-7=-1057/1990

NOTES-

- Unbalanced roof live loads have been considered for this design.
- Wind: ASCE 7-16; Vult=130mph (3-second gust) Vasd=101mph; TCDL=4.2psf; BCDL=3.0psf; h=22ft; Cat. II; Exp B; Encl., GCpi=0.18; MWFRS (envelope) gable end zone; porch left and right exposed; Lumber DOL=1.60 plate grip DOL=1.60
- Building Designer / Project engineer responsible for verifying applied roof live load shown covers rain loading requirements specific to the use of this truss component.
- Provide adequate drainage to prevent water ponding.
- This truss has been designed for a 10.0 psf bottom chord live load nonconcurrent with any other live loads.
- * This truss has been designed for a live load of 20.0psf on the bottom chord in all areas where a rectangle 3-6-0 tall by 2-0-0 wide will fit between the bottom chord and any other members.
- Provide mechanical connection (by others) of truss to bearing plate capable of withstanding 100 lb uplift at joint(s) except (jt=lb) 6=452, 2=440.
- Hanger(s) or other connection device(s) shall be provided sufficient to support concentrated load(s) 75 lb down and 65 lb up at 5-0-0, 56 lb down and 65 lb up at 7-0-12, 56 lb down and 60 lb up at 9-0-12, and 56 lb down and 65 lb up at 11-0-12, and 59 lb down and 65 lb up at 13-0-12 on top chord, and 110 lb down and 116 lb up at 5-0-0, 45 lb down and 46 lb up at 7-0-12, 45 lb down and 46 lb up at 9-0-12, and 45 lb down and 46 lb up at 11-0-12, and 47 lb down and 46 lb up at 13-0-12 on bottom chord. The design/selection of such connection device(s) is the responsibility of others.
- In the LOAD CASE(S) section, loads applied to the face of the truss are noted as front (F) or back (B).

LOAD CASE(S) Standard

- Dead + Roof Live (balanced): Lumber Increase=1.25, Plate Increase=1.25
 Uniform Loads (plf)
 Vert: 1-3=-54, 3-5=-54, 2-6=-20
 Concentrated Loads (lb)
 Vert: 3=-56(F) 8=-102(F) 11=-56(F) 12=-56(F) 13=-56(F) 14=-59(F) 15=-40(F) 16=-40(F) 17=-40(F) 18=-41(F)

This item has been electronically signed and sealed by O'Regan, Philip, PE using a Digital Signature. Printed copies of this document are not considered signed and sealed and the signature must be verified on any electronic copies.

Philip J. O'Regan PE No.58126
 MiTek USA, Inc. FL Cert 6634
 6904 Parke East Blvd. Tampa FL 33610
 Date:

August 3, 2021

WARNING - Verify design parameters and READ NOTES ON THIS AND INCLUDED MITEK REFERENCE PAGE MII-7473 rev. 5/19/2020 BEFORE USE.
 Design valid for use only with MiTek® connectors. This design is based only upon parameters shown, and is for an individual building component, not a truss system. Before use, the building designer must verify the applicability of design parameters and properly incorporate this design into the overall building design. Bracing indicated is to prevent buckling of individual truss web and/or chord members only. Additional temporary and permanent bracing is always required for stability and to prevent collapse with possible personal injury and property damage. For general guidance regarding the fabrication, storage, delivery, erection and bracing of trusses and truss systems, see **ANSI/TPI1 Quality Criteria, DSB-89 and BCSI Building Component Safety Information** available from Truss Plate Institute, 2670 Crain Highway, Suite 203 Waldorf, MD 20601



6904 Parke East Blvd.
 Tampa, FL 33610

Job 2868120	Truss T21	Truss Type Half Hip Girder	Qty 1	Ply 1	AMIRA BLDRS. - HICKS RES.	T24891428
Builders FirstSource (Lake City,FL), Lake City, FL - 32055,					8.430 s Jun 2 2021 MiTek Industries, Inc. Mon Aug 2 15:33:46 2021 Page 1	
					ID:OGVM30uikhC8Ej8DWD31_JyuDyN-HTYWQHCUl0Cx_O3Dqb7N_sDSJaL0OviDYZ6k00yrrTJ	
					Job Reference (optional)	



Scale = 1:23.1

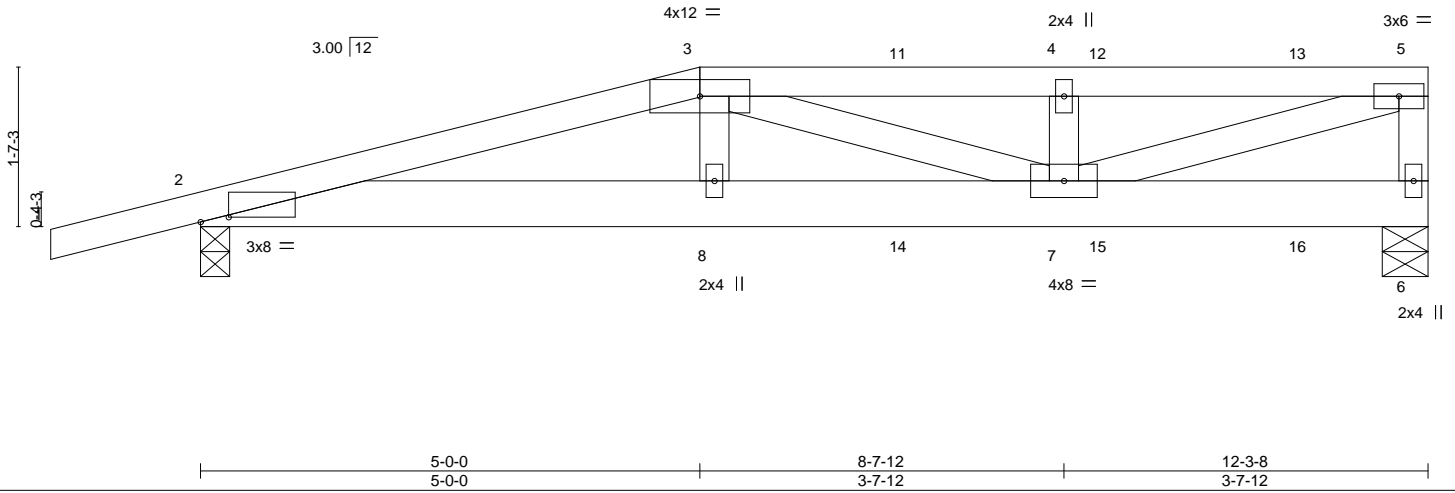


Plate Offsets (X,Y)--	[2:0-3-6,0-0-9]									
LOADING (psf)	SPACING-	2-0-0	CSI.	DEFL.	in	(loc)	l/defl	L/d	PLATES	GRIP
TCLL 20.0	Plate Grip DOL 1.25		TC 0.28	Vert(LL) 0.08	7-8	>999	240		MT20	244/190
TCDL 7.0	Lumber DOL 1.25		BC 0.49	Vert(CT) -0.11	7-8	>999	180			
BCLL 0.0 *	Rep Stress Incr NO		WB 0.55	Horz(CT) 0.02	6	n/a	n/a			
BCDL 10.0	Code FBC2020/TPI2014		Matrix-MS						Weight: 63 lb	FT = 20%

LUMBER-
TOP CHORD 2x4 SP No.2
BOT CHORD 2x6 SP No.2
WEBS 2x4 SP No.3

BRACING-
TOP CHORD Structural wood sheathing directly applied or 4-2-11 oc purlins, except end verticals.
BOT CHORD Rigid ceiling directly applied or 7-7-7 oc bracing.

REACTIONS. (size) 6=0-5-8, 2=0-3-8
Max Horz 2=63(LC 23)
Max Uplift 6=-386(LC 4), 2=-381(LC 4)
Max Grav 6=727(LC 1), 2=701(LC 1)

FORCES. (lb) - Max. Comp./Max. Ten. - All forces 250 (lb) or less except when shown.
TOP CHORD 2-3=-1787/927, 3-4=-1466/779, 4-5=-1466/779, 5-6=-614/326
BOT CHORD 2-8=-912/1718, 7-8=-928/1749
WEBS 3-8=-134/322, 3-7=-298/157, 4-7=-314/165, 5-7=-769/1449

- NOTES-**
- 1) Unbalanced roof live loads have been considered for this design.
 - 2) Wind: ASCE 7-16; Vult=130mph (3-second gust) Vasd=101mph; TCDL=4.2psf; BCDL=3.0psf; h=22ft; Cat. II; Exp B; Encl., GCpi=0.18; MWFRS (envelope) gable end zone; porch left and right exposed; Lumber DOL=1.60 plate grip DOL=1.60
 - 3) Building Designer / Project engineer responsible for verifying applied roof live load shown covers rain loading requirements specific to the use of this truss component.
 - 4) Provide adequate drainage to prevent water ponding.
 - 5) This truss has been designed for a 10.0 psf bottom chord live load nonconcurrent with any other live loads.
 - 6) * This truss has been designed for a live load of 20.0psf on the bottom chord in all areas where a rectangle 3-6-0 tall by 2-0-0 wide will fit between the bottom chord and any other members.
 - 7) Provide mechanical connection (by others) of truss to bearing plate capable of withstanding 100 lb uplift at joint(s) except (jt=lb) 6=386, 2=381.
 - 8) Hanger(s) or other connection device(s) shall be provided sufficient to support concentrated load(s) 75 lb down and 65 lb up at 5-0-0, 56 lb down and 65 lb up at 7-0-12, and 56 lb down and 61 lb up at 9-0-12, and 56 lb down and 65 lb up at 11-0-12 on top chord, and 110 lb down and 116 lb up at 5-0-0, 45 lb down and 46 lb up at 7-0-12, and 45 lb down and 46 lb up at 9-0-12, and 45 lb down and 46 lb up at 11-0-12 on bottom chord. The design/selection of such connection device(s) is the responsibility of others.
 - 9) In the LOAD CASE(S) section, loads applied to the face of the truss are noted as front (F) or back (B).

LOAD CASE(S) Standard
1) Dead + Roof Live (balanced): Lumber Increase=1.25, Plate Increase=1.25
Uniform Loads (plf)
Vert: 1-3=-54, 3-5=-54, 2-6=-20
Concentrated Loads (lb)
Vert: 3=-56(B) 8=-102(B) 11=-56(B) 12=-56(B) 13=-56(B) 14=-40(B) 15=-40(B) 16=-40(B)

This item has been electronically signed and sealed by O'Regan, Philip, PE using a Digital Signature. Printed copies of this document are not considered signed and sealed and the signature must be verified on any electronic copies.

Philip J. O'Regan PE No.58126
MiTek USA, Inc. FL Cert 6634
6904 Parke East Blvd. Tampa FL 33610
Date:

August 3,2021

WARNING - Verify design parameters and READ NOTES ON THIS AND INCLUDED MITEK REFERENCE PAGE MII-7473 rev. 5/19/2020 BEFORE USE.
Design valid for use only with MiTek® connectors. This design is based only upon parameters shown, and is for an individual building component, not a truss system. Before use, the building designer must verify the applicability of design parameters and properly incorporate this design into the overall building design. Bracing indicated is to prevent buckling of individual truss web and/or chord members only. Additional temporary and permanent bracing is always required for stability and to prevent collapse with possible personal injury and property damage. For general guidance regarding the fabrication, storage, delivery, erection and bracing of trusses and truss systems, see **ANSI/TPI1 Quality Criteria, DSB-89 and BCSI Building Component Safety Information** available from Truss Plate Institute, 2670 Crain Highway, Suite 203 Waldorf, MD 20601



Job 2868120	Truss T22	Truss Type MONO TRUSS	Qty 16	Ply 1	AMIRA BLDRS. - HICKS RES. Job Reference (optional)	T24891429
----------------	--------------	--------------------------	-----------	----------	---	-----------

Builders FirstSource (Lake City,FL), Lake City, FL - 32055,

8.430 s Jun 2 2021 MiTek Industries, Inc. Mon Aug 2 15:33:47 2021 Page 1
ID:OGVM30uikhC8Ej8DWD31_JyuDyN-IgduddDW2KKobXePOJcX4mad_ji7QnNmDsHwSyrTl



Scale = 1:14.5

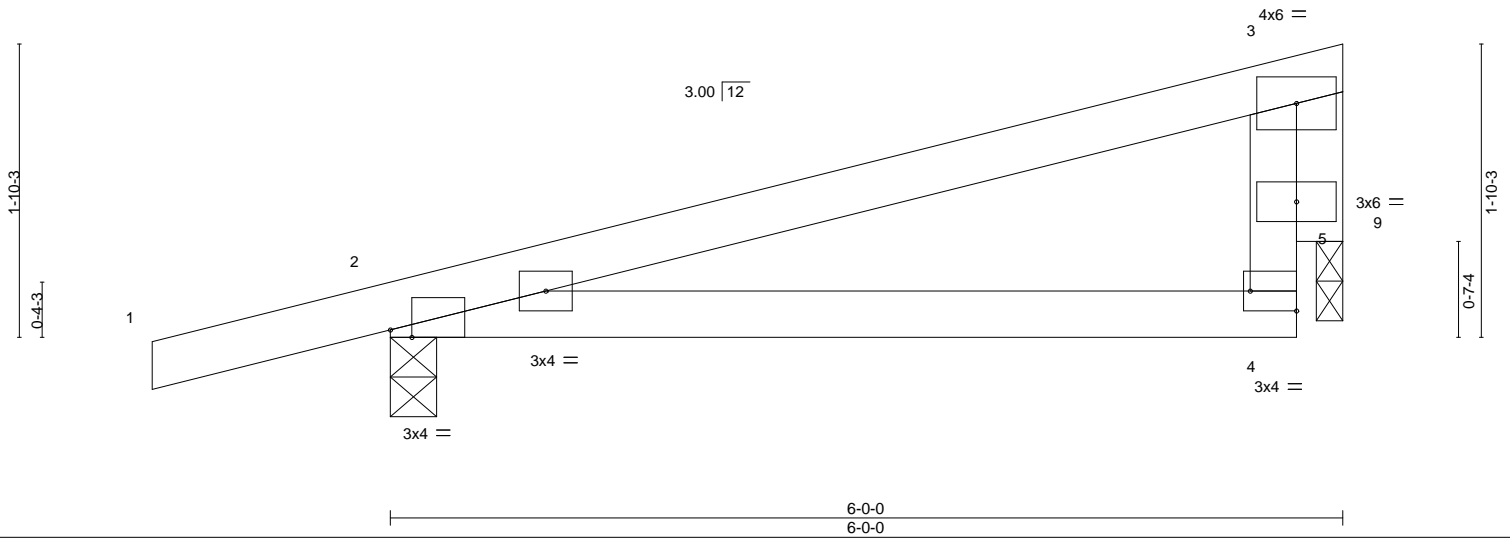


Plate Offsets (X,Y)-- [2:0-1-10,Edge], [4:Edge,0-1-8]

LOADING (psf)	SPACING-	2-0-0	CSI.	DEFL.	in	(loc)	l/defl	L/d	PLATES	GRIP
TCLL 20.0	Plate Grip DOL	1.25	TC 0.50	Vert(LL)	0.06	4-8	>999	240	MT20	244/190
TCDL 7.0	Lumber DOL	1.25	BC 0.29	Vert(CT)	0.05	4-8	>999	180		
BCLL 0.0 *	Rep Stress Incr	YES	WB 0.31	Horz(CT)	-0.00	2	n/a	n/a		
BCDL 10.0	Code	FBC2020/TPI2014	Matrix-MR						Weight: 23 lb	FT = 20%

LUMBER-
TOP CHORD 2x4 SP No.2
BOT CHORD 2x4 SP No.2
WEBS 2x4 SP No.3
OTHERS 2x4 SP No.3

BRACING-
TOP CHORD Structural wood sheathing directly applied or 6-0-0 oc purlins, except end verticals.
BOT CHORD Rigid ceiling directly applied or 9-4-12 oc bracing.

REACTIONS. (size) 2=0-3-8, 9=0-2-0
Max Horz 2=67(LC 8)
Max Uplift 2=171(LC 8), 9=97(LC 8)
Max Grav 2=309(LC 1), 9=183(LC 1)

FORCES. (lb) - Max. Comp./Max. Ten. - All forces 250 (lb) or less except when shown.
TOP CHORD 2-3=223/308
BOT CHORD 2-4=344/201

- NOTES-**
- 1) Wind: ASCE 7-16; Vult=130mph (3-second gust) Vasd=101mph; TCDL=4.2psf; BCDL=3.0psf; h=22ft; Cat. II; Exp B; Encl., GCpi=0.18; MWFRS (envelope) gable end zone and C-C Exterior(2E) -1-6-0 to 1-6-0, Interior(1) 1-6-0 to 5-6-12 zone; porch left and right exposed;C-C for members and forces & MWFRS for reactions shown; Lumber DOL=1.60 plate grip DOL=1.60
 - 2) Building Designer / Project engineer responsible for verifying applied roof live load shown covers rain loading requirements specific to the use of this truss component.
 - 3) This truss has been designed for a 10.0 psf bottom chord live load nonconcurrent with any other live loads.
 - 4) * This truss has been designed for a live load of 20.0psf on the bottom chord in all areas where a rectangle 3-6-0 tall by 2-0-0 wide will fit between the bottom chord and any other members.
 - 5) Bearing at joint(s) 9 considers parallel to grain value using ANSI/TPI 1 angle to grain formula. Building designer should verify capacity of bearing surface.
 - 6) Provide mechanical connection (by others) of truss to bearing plate at joint(s) 9.
 - 7) Provide mechanical connection (by others) of truss to bearing plate capable of withstanding 100 lb uplift at joint(s) 9 except (jt=lb) 2=171.

This item has been electronically signed and sealed by O'Regan, Philip, PE using a Digital Signature. Printed copies of this document are not considered signed and sealed and the signature must be verified on any electronic copies.

Philip J. O'Regan PE No.58126
MiTek USA, Inc. FL Cert 6634
6904 Parke East Blvd. Tampa FL 33610
Date:

August 3,2021

WARNING - Verify design parameters and READ NOTES ON THIS AND INCLUDED MITEK REFERENCE PAGE MII-7473 rev. 5/19/2020 BEFORE USE.

Design valid for use only with MiTek® connectors. This design is based only upon parameters shown, and is for an individual building component, not a truss system. Before use, the building designer must verify the applicability of design parameters and properly incorporate this design into the overall building design. Bracing indicated is to prevent buckling of individual truss web and/or chord members only. Additional temporary and permanent bracing is always required for stability and to prevent collapse with possible personal injury and property damage. For general guidance regarding the fabrication, storage, delivery, erection and bracing of trusses and truss systems, see

ANSI/TPI1 Quality Criteria, DSB-89 and BCSI Building Component

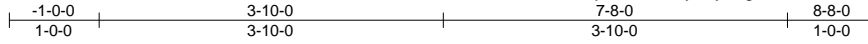
Safety Information available from Truss Plate Institute, 2670 Crain Highway, Suite 203 Waldorf, MD 20601



6904 Parke East Blvd.
Tampa, FL 33610

Job 2868120	Truss T23	Truss Type KINGPOST	Qty 3	Ply 1	AMIRA BLDRS. - HICKS RES.	T24891430
----------------	--------------	------------------------	----------	----------	---------------------------	-----------

Builders FirstSource (Lake City, FL), Lake City, FL - 32055, 8.430 s Jun 2 2021 MiTek Industries, Inc. Mon Aug 2 15:33:47 2021 Page 1
 ID:OGVM30uihC8Ej8DWD31_JyuDyN-Ig6uddDW2KkKobXePOJfcX4mf3_la7TbNmDsHwSyrTI



Scale = 1:25.7

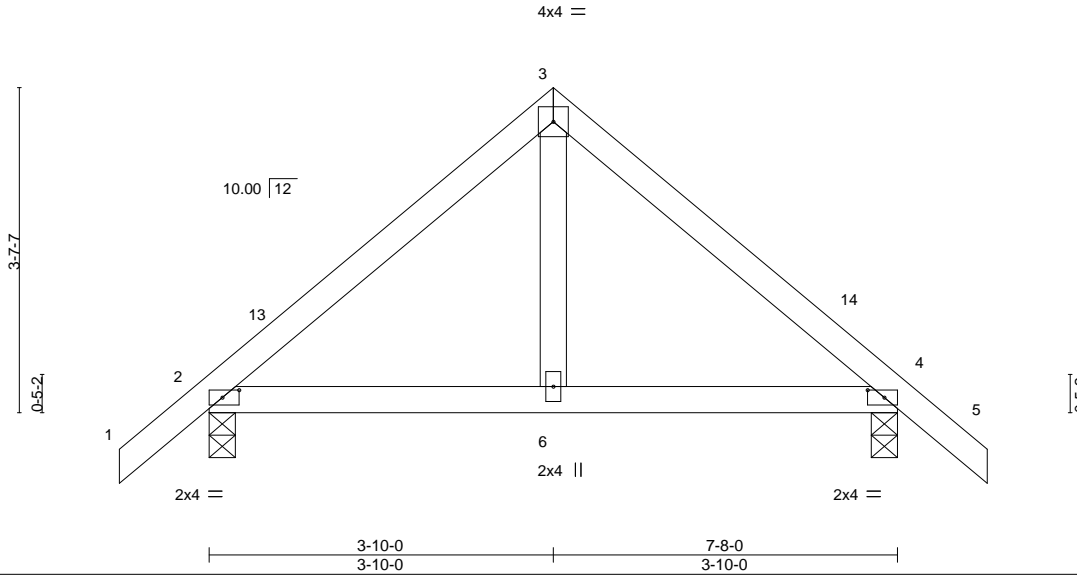


Plate Offsets (X,Y)-- [2:0-2-4,0-1-0], [4:0-2-4,0-1-0]

LOADING (psf)	SPACING-	2-0-0	CSI.	DEFL.	in (loc)	l/defl	L/d	PLATES	GRIP
TCLL 20.0	Plate Grip DOL	1.25	TC 0.15	Vert(LL)	-0.01 6-12	>999	240	MT20	244/190
TCDL 7.0	Lumber DOL	1.25	BC 0.15	Vert(CT)	-0.01 6-12	>999	180		
BCLL 0.0 *	Rep Stress Incr	YES	WB 0.07	Horz(CT)	0.00 4	n/a	n/a		
BCDL 10.0	Code FBC2020/TPI2014		Matrix-MS					Weight: 35 lb	FT = 20%

LUMBER-
 TOP CHORD 2x4 SP No.2
 BOT CHORD 2x4 SP No.2
 WEBS 2x4 SP No.3

BRACING-
 TOP CHORD Structural wood sheathing directly applied or 6-0-0 oc purlins.
 BOT CHORD Rigid ceiling directly applied or 10-0-0 oc bracing.

REACTIONS. (size) 2=0-3-8, 4=0-3-8
 Max Horz 2=91(LC 11)
 Max Uplift 2=-78(LC 12), 4=-78(LC 13)
 Max Grav 2=338(LC 1), 4=338(LC 1)

FORCES. (lb) - Max. Comp./Max. Ten. - All forces 250 (lb) or less except when shown.
 TOP CHORD 2-3=-298/145, 3-4=-298/145

- NOTES-**
- 1) Unbalanced roof live loads have been considered for this design.
 - 2) Wind: ASCE 7-16; Vult=130mph (3-second gust) Vasd=101mph; TCDL=4.2psf; BCDL=3.0psf; h=22ft; Cat. II; Exp B; Encl., GCpi=0.18; MWFRS (envelope) gable end zone and C-C Exterior(2E) -1-0-0 to 2-0-0, Interior(1) 2-0-0 to 3-10-0, Exterior(2R) 3-10-0 to 6-10-0, Interior(1) 6-10-0 to 8-8-0 zone; C-C for members and forces & MWFRS for reactions shown; Lumber DOL=1.60 plate grip DOL=1.60
 - 3) Building Designer / Project engineer responsible for verifying applied roof live load shown covers rain loading requirements specific to the use of this truss component.
 - 4) This truss has been designed for a 10.0 psf bottom chord live load nonconcurrent with any other live loads.
 - 5) * This truss has been designed for a live load of 20.0psf on the bottom chord in all areas where a rectangle 3-6-0 tall by 2-0-0 wide will fit between the bottom chord and any other members.
 - 6) Provide mechanical connection (by others) of truss to bearing plate capable of withstanding 100 lb uplift at joint(s) 2, 4.

This item has been electronically signed and sealed by O'Regan, Philip, PE using a Digital Signature. Printed copies of this document are not considered signed and sealed and the signature must be verified on any electronic copies.

Philip J. O'Regan PE No.58126
 MiTek USA, Inc. FL Cert 6634
 6904 Parke East Blvd. Tampa FL 33610
 Date:

August 3,2021

WARNING - Verify design parameters and READ NOTES ON THIS AND INCLUDED MITEK REFERENCE PAGE MII-7473 rev. 5/19/2020 BEFORE USE.

Design valid for use only with MiTek® connectors. This design is based only upon parameters shown, and is for an individual building component, not a truss system. Before use, the building designer must verify the applicability of design parameters and properly incorporate this design into the overall building design. Bracing indicated is to prevent buckling of individual truss web and/or chord members only. Additional temporary and permanent bracing is always required for stability and to prevent collapse with possible personal injury and property damage. For general guidance regarding the fabrication, storage, delivery, erection and bracing of trusses and truss systems, see

ANSI/TPI1 Quality Criteria, DSB-89 and BCSI Building Component

Safety Information available from Truss Plate Institute, 2670 Crain Highway, Suite 203 Waldorf, MD 20601



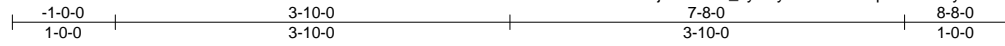
6904 Parke East Blvd.
 Tampa, FL 36610

Job 2868120	Truss T23G	Truss Type GABLE	Qty 1	Ply 1	AMIRA BLDRS. - HICKS RES. Job Reference (optional)	T24891431
----------------	---------------	---------------------	----------	----------	---	-----------

Builders FirstSource (Lake City,FL), Lake City, FL - 32055,

8.430 s Jun 2 2021 MiTek Industries, Inc. Mon Aug 2 15:33:48 2021 Page 1

ID:OGVM30uikhC8Ej8DWD31_JyuDyN-DsfGrzD8peSfDhDcy0Ar3Hlq6O50sxuW?trSvyrTH



4x4 =

Scale = 1:22.4

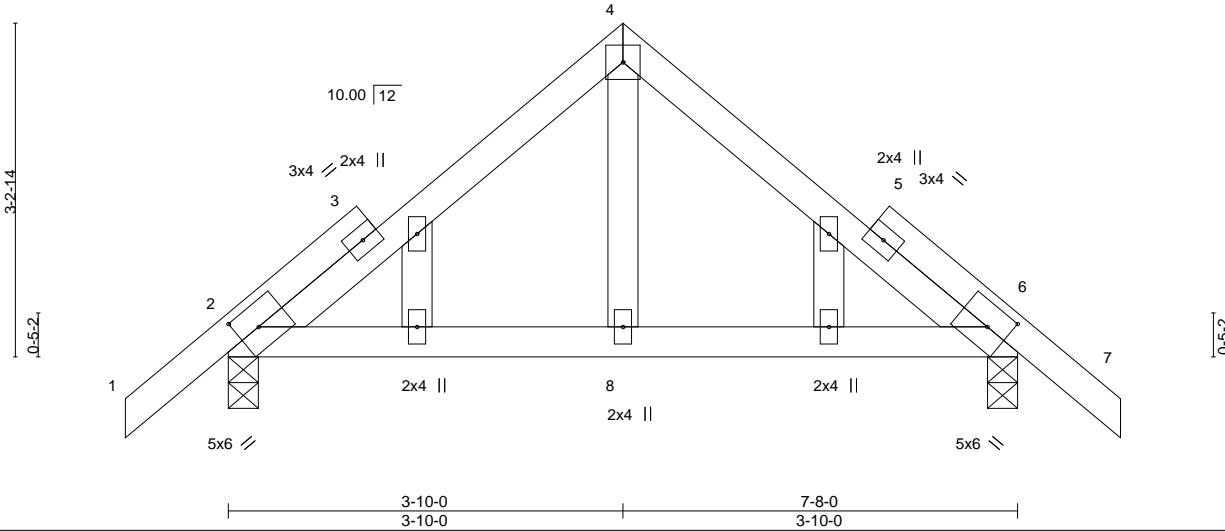


Plate Offsets (X,Y)-- [2'-0-2-8,0-2-8], [6'-0-2-8,0-2-8]

LOADING (psf)	SPACING-	2-0-0	CSI.	DEFL.	in (loc)	l/defl	L/d	PLATES	GRIP	
TCLL 20.0	Plate Grip DOL	1.25	TC 0.13	Vert(LL)	-0.01	8-18	>999	240	MT20	244/190
TCDL 7.0	Lumber DOL	1.25	BC 0.13	Vert(CT)	-0.01	8-18	>999	180		
BCLL 0.0 *	Rep Stress Incr	YES	WB 0.06	Horz(CT)	0.00	2	n/a	n/a		
BCDL 10.0	Code	FBC2020/TPI2014	Matrix-MS						Weight: 41 lb	FT = 20%

LUMBER-
TOP CHORD 2x4 SP No.2
BOT CHORD 2x4 SP No.2
WEBS 2x4 SP No.3
OTHERS 2x4 SP No.3

BRACING-
TOP CHORD Structural wood sheathing directly applied or 6-0-0 oc purlins.
BOT CHORD Rigid ceiling directly applied or 10-0-0 oc bracing.

REACTIONS. (size) 2=0-3-8, 6=0-3-8
Max Horz 2=83(LC 11)
Max Uplift 2=-81(LC 12), 6=-81(LC 13)
Max Grav 2=335(LC 1), 6=335(LC 1)

FORCES. (lb) - Max. Comp./Max. Ten. - All forces 250 (lb) or less except when shown.
TOP CHORD 2-4=-276/139, 4-6=-276/139

- NOTES-**
- Unbalanced roof live loads have been considered for this design.
 - Wind: ASCE 7-16; Vult=130mph (3-second gust) Vasd=101mph; TCDL=4.2psf; BCDL=3.0psf; h=22ft; Cat. II; Exp B; Encl., GCpi=0.18; MWFRS (envelope) gable end zone and C-C Exterior(2E) -1-0-0 to 2-0-0, Interior(1) 2-0-0 to 3-10-0, Exterior(2R) 3-10-0 to 6-11-0, Interior(1) 6-11-0 to 8-8-0 zone;C-C for members and forces & MWFRS for reactions shown; Lumber DOL=1.60 plate grip DOL=1.60
 - Truss designed for wind loads in the plane of the truss only. For studs exposed to wind (normal to the face), see Standard Industry Gable End Details as applicable, or consult qualified building designer as per ANSI/TPI 1.
 - Building Designer / Project engineer responsible for verifying applied roof live load shown covers rain loading requirements specific to the use of this truss component.
 - Gable studs spaced at 2-0-0 oc.
 - This truss has been designed for a 10.0 psf bottom chord live load nonconcurrent with any other live loads.
 - * This truss has been designed for a live load of 20.0psf on the bottom chord in all areas where a rectangle 3-6-0 tall by 2-0-0 wide will fit between the bottom chord and any other members.
 - Provide mechanical connection (by others) of truss to bearing plate capable of withstanding 100 lb uplift at joint(s) 2, 6.

This item has been electronically signed and sealed by O'Regan, Philip, PE using a Digital Signature. Printed copies of this document are not considered signed and sealed and the signature must be verified on any electronic copies.

Philip J. O'Regan PE No.58126
MiTek USA, Inc. FL Cert 6634
6904 Parke East Blvd. Tampa FL 33610
Date:

August 3,2021

WARNING - Verify design parameters and READ NOTES ON THIS AND INCLUDED MITEK REFERENCE PAGE MII-7473 rev. 5/19/2020 BEFORE USE.

Design valid for use only with MiTek® connectors. This design is based only upon parameters shown, and is for an individual building component, not a truss system. Before use, the building designer must verify the applicability of design parameters and properly incorporate this design into the overall building design. Bracing indicated is to prevent buckling of individual truss web and/or chord members only. Additional temporary and permanent bracing is always required for stability and to prevent collapse with possible personal injury and property damage. For general guidance regarding the fabrication, storage, delivery, erection and bracing of trusses and truss systems, see

ANSI/TPI1 Quality Criteria, DSB-89 and BCSI Building Component

Safety Information available from Truss Plate Institute, 2670 Crain Highway, Suite 203 Waldorf, MD 20601



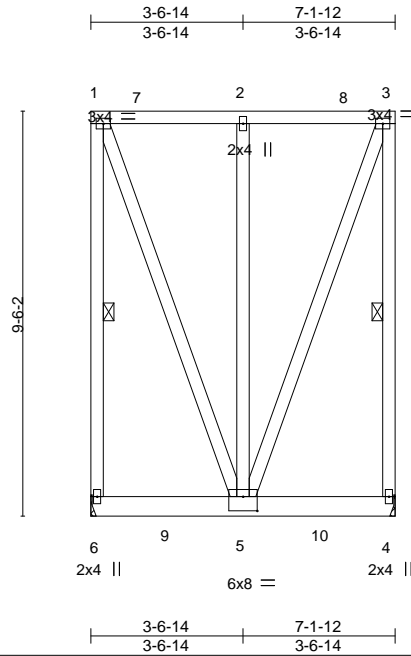
6904 Parke East Blvd.
Tampa, FL 33610

Job 2868120	Truss TG01	Truss Type Flat Girder	Qty 1	Ply 2	AMIRA BLDRS. - HICKS RES. Job Reference (optional)	T24891432
----------------	---------------	---------------------------	----------	----------	---	-----------

Builders FirstSource (Lake City,FL), Lake City, FL - 32055,

8.430 s Jun 2 2021 MiTek Industries, Inc. Mon Aug 2 15:33:49 2021 Page 1

ID:OGVM30uikhC8Ej8DWD31_JyuDyN-h2De2JEnaxbWrr0oVkh4cVr00nPcbLsgEXLO_LyrrTG



Scale = 1:54.1

Plate Offsets (X,Y)-- [5:0-4-0,0-4-0]

LOADING (psf)	SPACING-	2-0-0	CSI.	DEFL.	in (loc)	l/defl	L/d	PLATES	GRIP
TCLL 20.0	Plate Grip DOL	1.25	TC 0.12	Vert(LL)	-0.01	4-5	>999	MT20	244/190
TCDL 7.0	Lumber DOL	1.25	BC 0.30	Vert(CT)	-0.02	4-5	>999		
BCLL 0.0 *	Rep Stress Incr	NO	WB 0.21	Horz(CT)	0.00	4	n/a		
BCDL 10.0	Code FBC2020/TPI2014		Matrix-MS					Weight: 188 lb	FT = 20%

LUMBER-
TOP CHORD 2x4 SP No.2
BOT CHORD 2x6 SP No.2
WEBS 2x4 SP No.3

BRACING-
TOP CHORD Structural wood sheathing directly applied or 6-0-0 oc purlins, except end verticals.
BOT CHORD Rigid ceiling directly applied or 10-0-0 oc bracing.
WEBS 1 Row at midpt 1-6, 3-4

REACTIONS. (size) 6=Mechanical, 4=Mechanical
Max Uplift 6=-355(LC 4), 4=-357(LC 4)
Max Grav 6=1452(LC 2), 4=1469(LC 2)

FORCES. (lb) - Max. Comp./Max. Ten. - All forces 250 (lb) or less except when shown.
TOP CHORD 1-6=-1097/285, 1-2=-390/94, 2-3=-390/94, 3-4=-1097/285
WEBS 1-5=-263/1095, 3-5=-263/1095

NOTES-

- 2-ply truss to be connected together with 10d (0.131"x3") nails as follows:
Top chords connected as follows: 2x4 - 1 row at 0-9-0 oc.
Bottom chords connected as follows: 2x6 - 2 rows staggered at 0-9-0 oc.
Webs connected as follows: 2x4 - 1 row at 0-9-0 oc.
- All loads are considered equally applied to all plies, except if noted as front (F) or back (B) face in the LOAD CASE(S) section. Ply to ply connections have been provided to distribute only loads noted as (F) or (B), unless otherwise indicated.
- Wind: ASCE 7-16; Vult=130mph (3-second gust) Vasd=101mph; TCDL=4.2psf; BCDL=3.0psf; h=22ft; Cat. II; Exp B; Encl., GCpi=0.18; MWFRS (envelope) gable end zone; Lumber DOL=1.60 plate grip DOL=1.60
- Building Designer / Project engineer responsible for verifying applied roof live load shown covers rain loading requirements specific to the use of this truss component.
- Provide adequate drainage to prevent water ponding.
- This truss has been designed for a 10.0 psf bottom chord live load nonconcurrent with any other live loads.
- * This truss has been designed for a live load of 20.0psf on the bottom chord in all areas where a rectangle 3-6-0 tall by 2-0-0 wide will fit between the bottom chord and any other members.
- Refer to girder(s) for truss to truss connections.
- Provide mechanical connection (by others) of truss to bearing plate capable of withstanding 100 lb uplift at joint(s) except (jt=lb) 6=355, 4=357.
- Hanger(s) or other connection device(s) shall be provided sufficient to support concentrated load(s) 816 lb down and 202 lb up at 1-9-10, and 816 lb down and 202 lb up at 3-6-14, and 850 lb down and 206 lb up at 5-4-2 on bottom chord. The design/selection of such connection device(s) is the responsibility of others.

LOAD CASE(S) Standard

- Dead + Roof Live (balanced): Lumber Increase=1.25, Plate Increase=1.25
Uniform Loads (plf)
Vert: 1-3=-54, 4-6=-20

This item has been electronically signed and sealed by O'Regan, Philip, PE using a Digital Signature. Printed copies of this document are not considered signed and sealed and the signature must be verified on any electronic copies.

Philip J. O'Regan PE No.58126
MiTek USA, Inc. FL Cert 6634
6904 Parke East Blvd. Tampa FL 33610
Date:

August 3,2021

Continued on page 2

WARNING - Verify design parameters and READ NOTES ON THIS AND INCLUDED MITEK REFERENCE PAGE MII-7473 rev. 5/19/2020 BEFORE USE.
Design valid for use only with MiTek® connectors. This design is based only upon parameters shown, and is for an individual building component, not a truss system. Before use, the building designer must verify the applicability of design parameters and properly incorporate this design into the overall building design. Bracing indicated is to prevent buckling of individual truss web and/or chord members only. Additional temporary and permanent bracing is always required for stability and to prevent collapse with possible personal injury and property damage. For general guidance regarding the fabrication, storage, delivery, erection and bracing of trusses and truss systems, see **ANSI/TPI1 Quality Criteria, DSB-89 and BCSI Building Component Safety Information** available from Truss Plate Institute, 2670 Crain Highway, Suite 203 Waldorf, MD 20601



6904 Parke East Blvd.
Tampa, FL 36610

Job 2868120	Truss TG01	Truss Type Flat Girder	Qty 1	Ply 2	AMIRA BLDRS. - HICKS RES. T24891432
----------------	---------------	---------------------------	----------	-----------------	--

Builders FirstSource (Lake City,FL), Lake City, FL - 32055,

8.430 s Jun 2 2021 MiTek Industries, Inc. Mon Aug 2 15:33:50 2021 Page 2
ID:OGVM30uikhC8Ej8DWD31_JyuDyN-9Fn1GfFPLFjNS?N_3RCJ8iOBmBirKo5pSB5xXnyrrTF

LOAD CASE(S) Standard
Concentrated Loads (lb)
Vert: 5=-722(B) 9=-722(B) 10=-725(B)

WARNING - Verify design parameters and READ NOTES ON THIS AND INCLUDED MITEK REFERENCE PAGE MII-7473 rev. 5/19/2020 BEFORE USE.

Design valid for use only with MiTek® connectors. This design is based only upon parameters shown, and is for an individual building component, not a truss system. Before use, the building designer must verify the applicability of design parameters and properly incorporate this design into the overall building design. Bracing indicated is to prevent buckling of individual truss web and/or chord members only. Additional temporary and permanent bracing is always required for stability and to prevent collapse with possible personal injury and property damage. For general guidance regarding the fabrication, storage, delivery, erection and bracing of trusses and truss systems, see **ANSI/TPI1 Quality Criteria, DSB-89 and BCSI Building Component Safety Information** available from Truss Plate Institute, 2670 Crain Highway, Suite 203 Waldorf, MD 20601



6904 Parke East Blvd.
Tampa, FL 36610

