

REVISIONS
March 02, 2023

SOFTPLAN  
ARCHITECTURAL SOFTWARE

DETAILS SHEET  
SCALE: 1/4" = 1'-0"

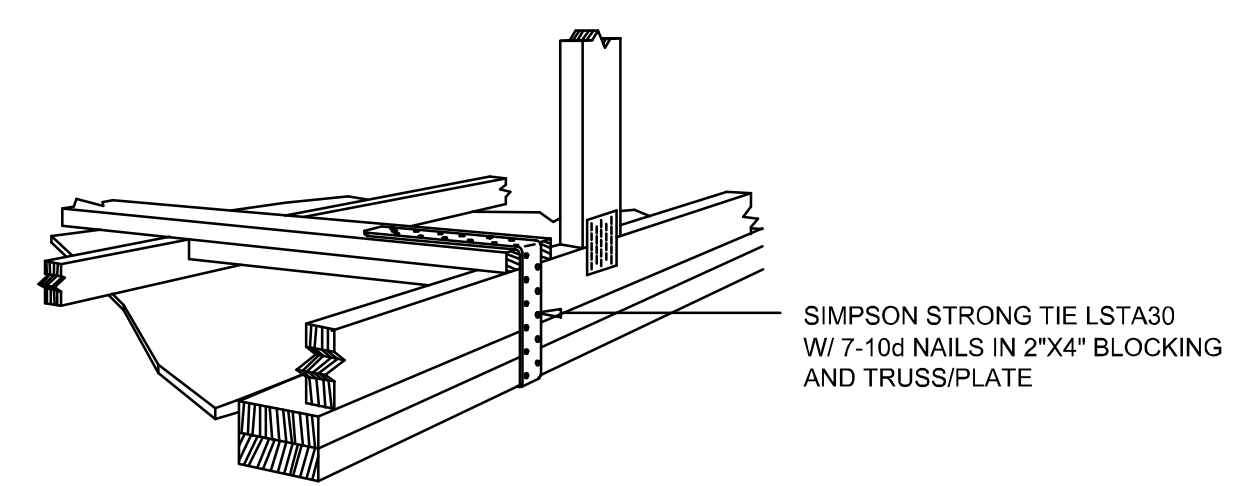
MODEL 1895 LEFT-HAND FOR:  
**PETER & ANNA LEV**  
PROJECT ADDRESS: 145 SW CHRISTIANSEN CT., LAKE CITY, FLORIDA  
LOT 14, KIMBERLY OAKS

Nicholas Geisler  
Digitally signed by Nicholas Geisler  
DN: CN = Nicholas Geisler, email = ngeisler47@gmail.com, c = US, o = Nicholas Geisler  
Date: 2023.03.02 9:34:10 -0500

ARCOOTOPE  
**NICHOLAS PAUL ARCHITECT**  
1755 NW Brown Rd.  
Lake City, FL 32065  
N.C.A.R.B. Certified (386) 365-4355

JOB NUMBER  
20230131

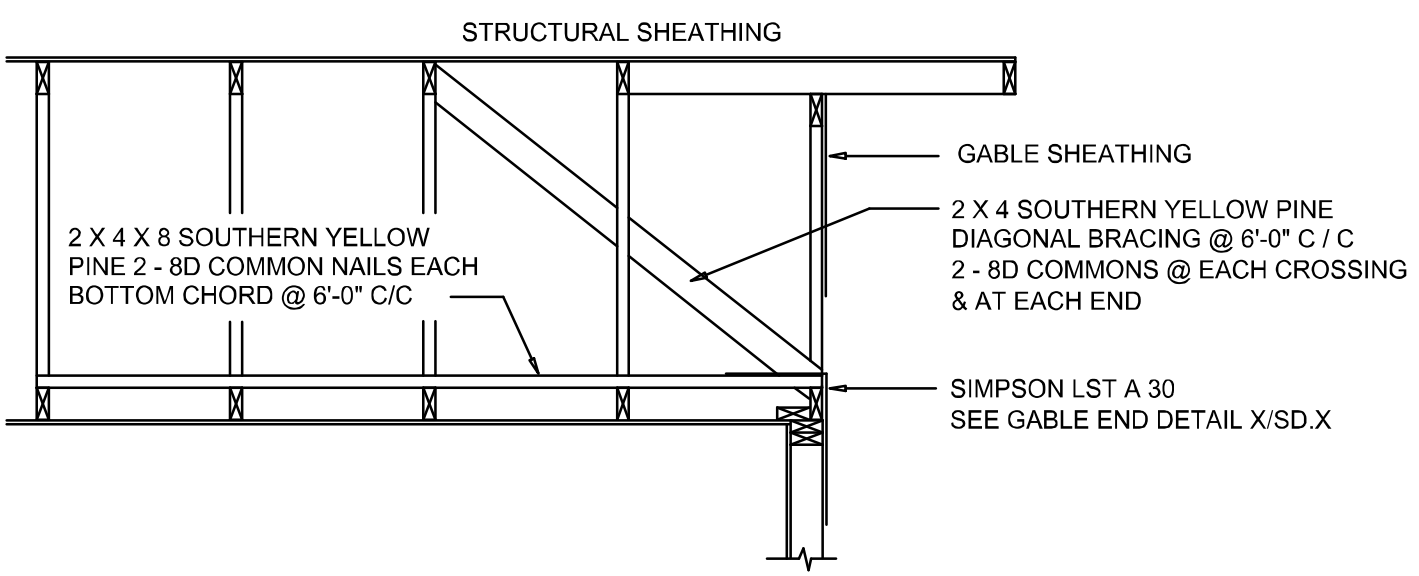
SHEET NUMBER  
**S.4**  
OF 4 SHEETS



**GABLE END GYPSUM DIAPHRAGM HOLDOWN CONNECTOR**

SCALE: NONE

A.1



**END WALL BRACING FOR CEILING DIAPHRAGM**

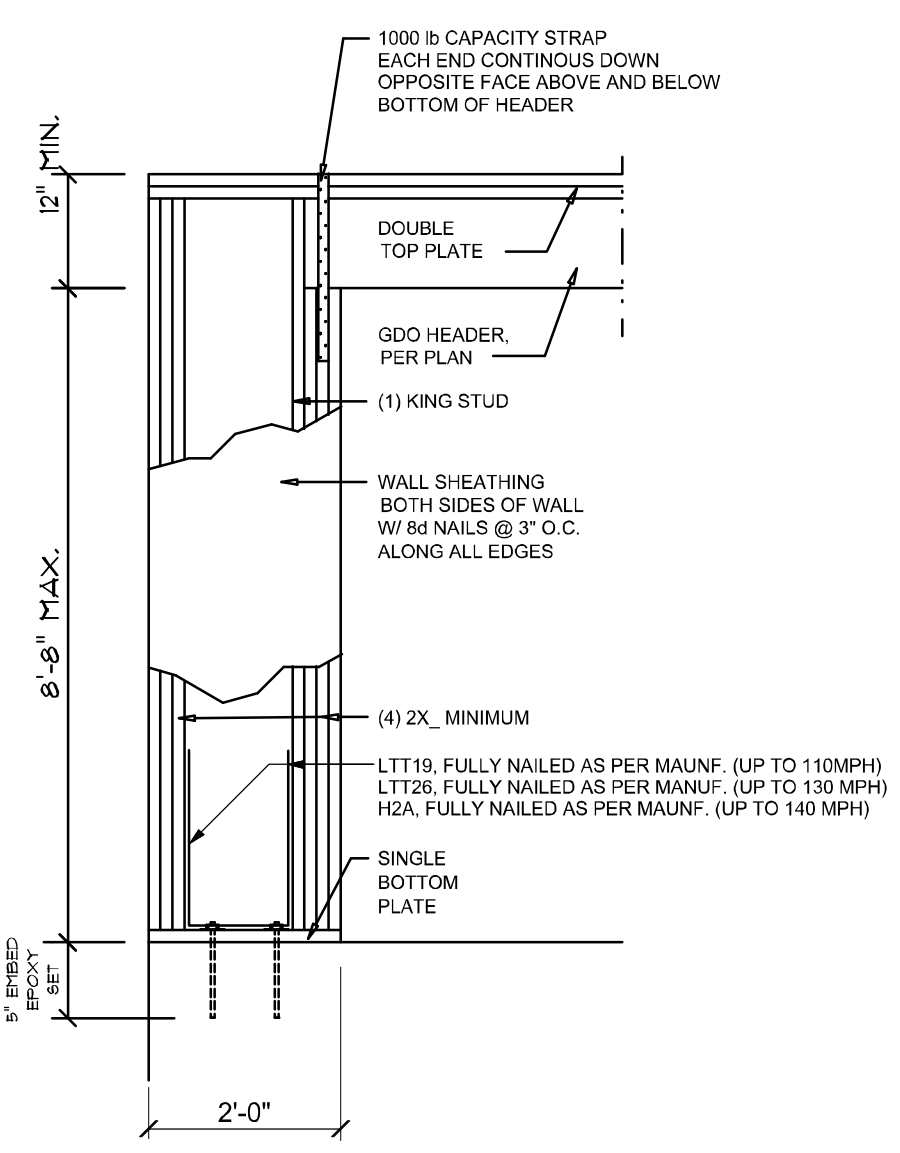
NTS

(ALTERNATIVE TO BALLOON FRAMING)

A

NOTE: ALL WOOD TO BE NUMBER 2 GRADE SOUTHERN YELLOW PINE

BUILDING COMPONENTS & CLADDING LOADS MEAN BUILDING HEIGHT = 30.0', EXPOSURE "B"					
ZONE	AREA	WIND SPEED (MPH)			
		110 MPH	120 MPH	130 MPH	140 MPH
ROOF 7'-TO-27'	1 10	12.0 / -19.9	14.9 / -23.7	17.5 / -27.8	20.3 / -32.3
	1 20	11.4 / -19.4	13.6 / -23.0	16.0 / -27.0	18.5 / -31.4
	1 50	10.0 / -18.6	11.9 / -22.2	13.9 / -26.0	16.1 / -30.2
WALL	2 10	12.5 / -34.7	14.9 / -41.3	17.5 / -48.4	20.3 / -56.2
	2 20	11.4 / -31.9	13.6 / -38.0	16.0 / -44.6	18.5 / -51.7
	2 50	10.0 / -28.2	11.9 / -33.6	13.9 / -39.4	16.1 / -45.7
WALL	3 10	12.5 / -51.3	14.9 / -81.0	17.5 / -71.6	20.3 / -83.1
	3 20	11.4 / -47.9	13.6 / -57.1	16.0 / -67.0	18.5 / -77.7
	3 50	10.0 / -43.5	11.9 / -51.8	13.9 / -60.8	16.1 / -70.5
WALL	4 10	21.8 / -23.6	25.9 / -34.7	30.4 / -33.0	35.3 / -38.2
	4 20	20.8 / -22.6	24.7 / -26.9	29.0 / -31.6	33.7 / -36.7
	4 50	19.5 / -21.3	23.2 / -25.4	27.2 / -29.8	31.6 / -34.6
WALL	5 10	21.8 / -29.1	25.9 / -34.7	30.4 / -40.7	35.3 / -47.2
	5 20	20.8 / -27.2	24.7 / -32.4	29.0 / -38.0	33.7 / -44.0
	5 50	19.5 / -24.6	23.2 / -29.3	27.2 / -34.3	31.6 / -39.8



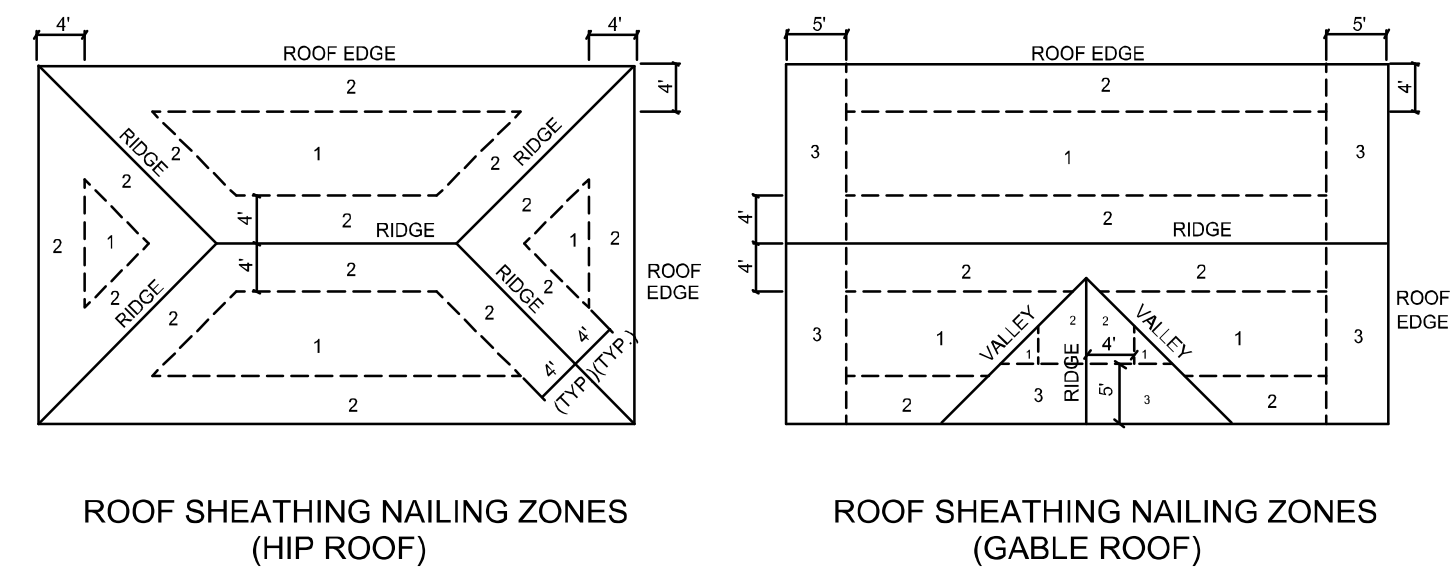
**Garage End Wall DETAIL**

SCALE: NTS

G

ROOF SHEATHING FASTENINGS			
NAILING ZONE	SHEATHING TYPE	FASTENER	SPACING
1	7/16" O.S.B. OR 15/32 CDX	8d COMMON OR 8d HOT DIPPED GALVANIZED BOX NAILS	6 in. o.c. EDGE 12 in. o.c. FIELD
2			6 in. o.c. EDGE 6 in. o.c. FIELD
3			4 in. o.c. @ GABLE ENDWALL OR GABLE TRUSS 6 in. o.c. EDGE 6 in. o.c. FIELD

HEIGHT & EXPOSURE ADJUSTMENT COEFFICIENTS FOR BUILDING COMPONENTS & CLADDING			
BLDG HEIGHT	EXPOSURE "B"	EXPOSURE "C"	EXPOSURE "D"
15	1.00	1.21	1.47
20	1.00	1.29	1.55
25	1.00	1.35	1.61
30	1.00	1.40	1.66

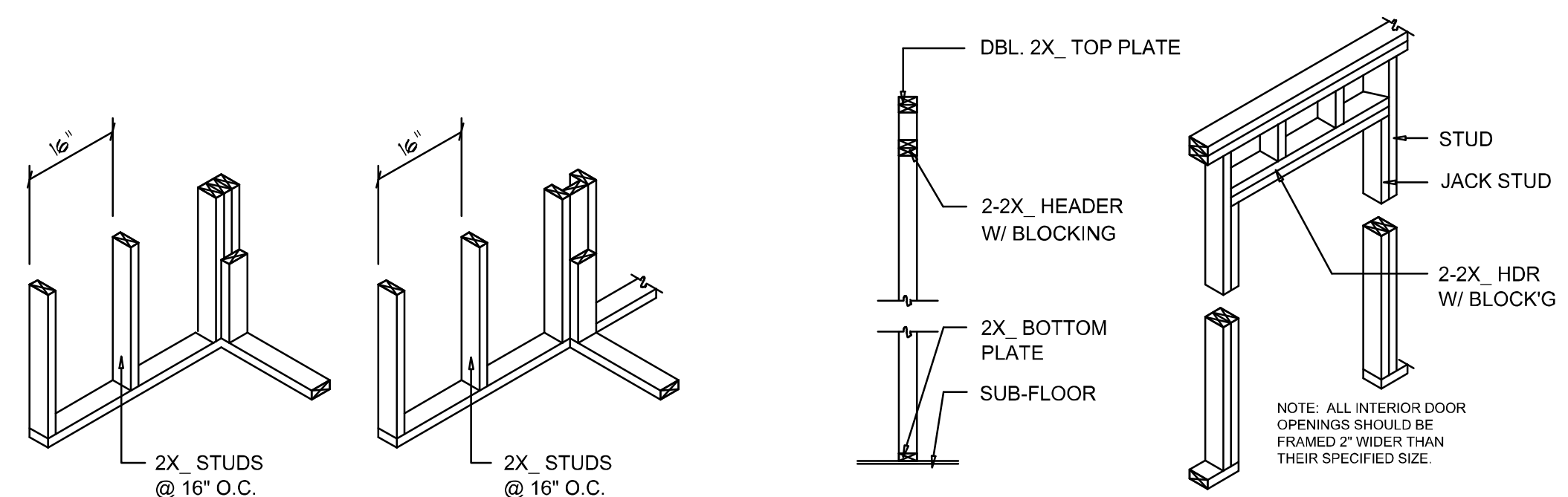


**Roof Nail Pattern DET.**

SCALE: NONE

B

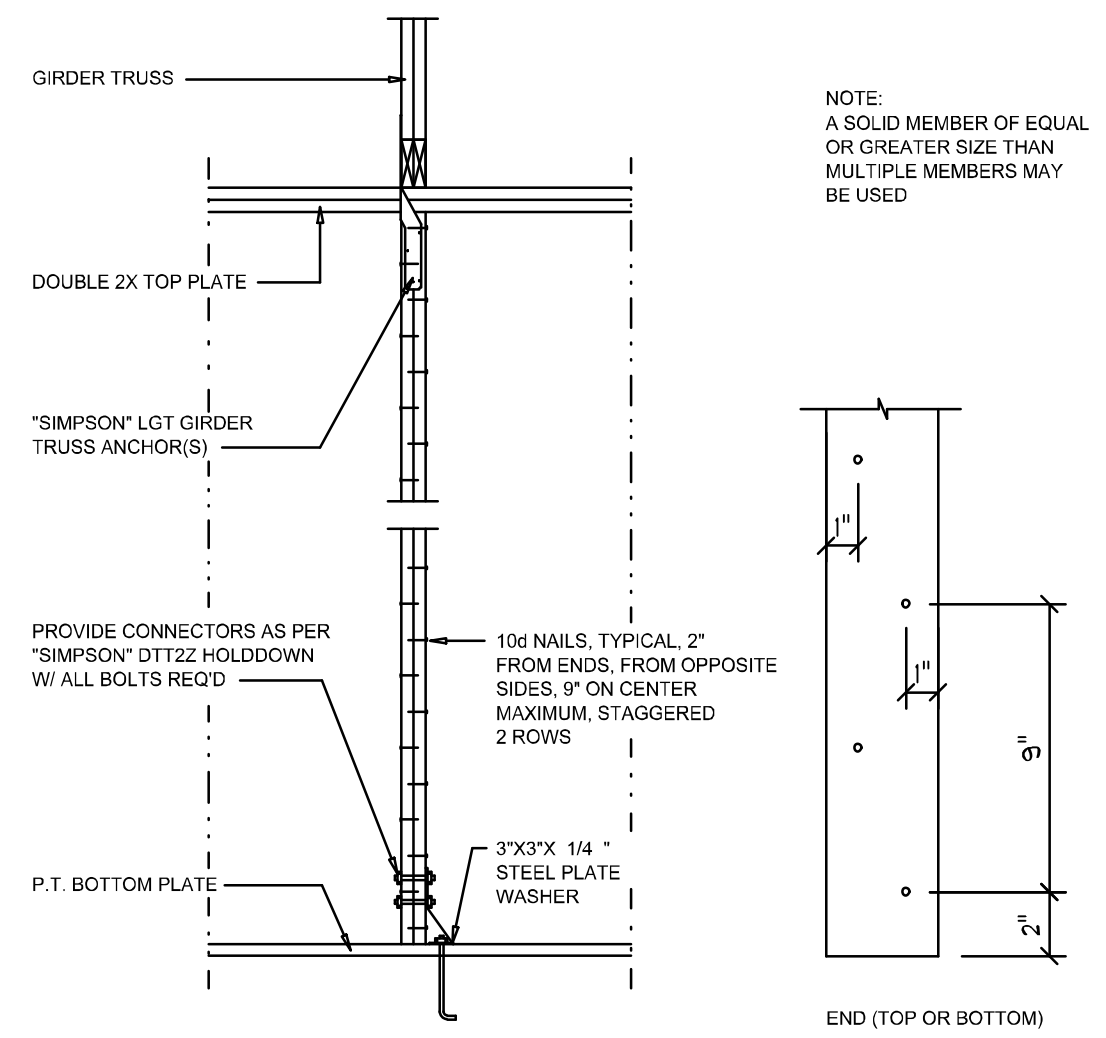
HEADER SPANS FOR EXTERIOR BEARING WALLS					
HEADERS SUPPORTING:	HEADER SIZE	BUILDING WIDTH (FT)			
		20'	28'	36'	
ROOF, CEILING	2-2x4	3'-6"	3'-2"	2'-10"	1
	2-2x6	5'-5"	4'-8"	4'-2"	1
	2-2x8	6'-10"	5'-11"	5'-4"	1
	2-2x10	8'-5"	7'-3"	6'-6"	2
	2-2x12	9'-9"	8'-5"	7'-6"	2
	3-2x8	8'-4"	7'-5"	6'-8"	1
	3-2x10	10'-6"	9'-1"	8'-2"	1
	3-2x12	12'-2"	10'-7"	9'-5"	2
	4-2x8	9'-2"	8'-4"	9'-2"	1
	4-2x10	11'-8"	10'-6"	9'-5"	1
4-2x12	14'-1"	12'-2"	10'-11"	1	



**Wall Framing/Header DETAILS**

SCALE: NONE

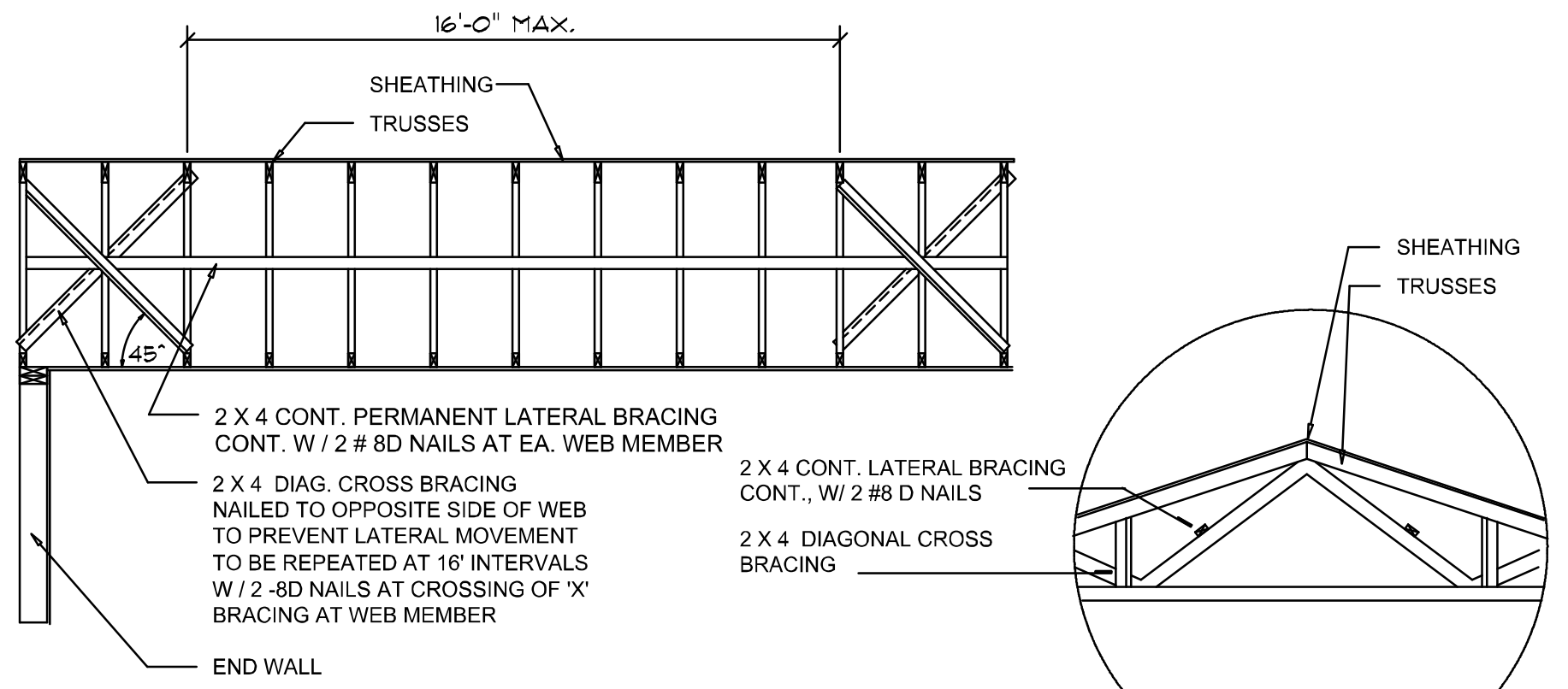
F



**Girder Truss Column DET.**

SCALE: 1/2" = 1'-0"

C



**TYP. PERMANENT TRUSS BRACING DIA.**

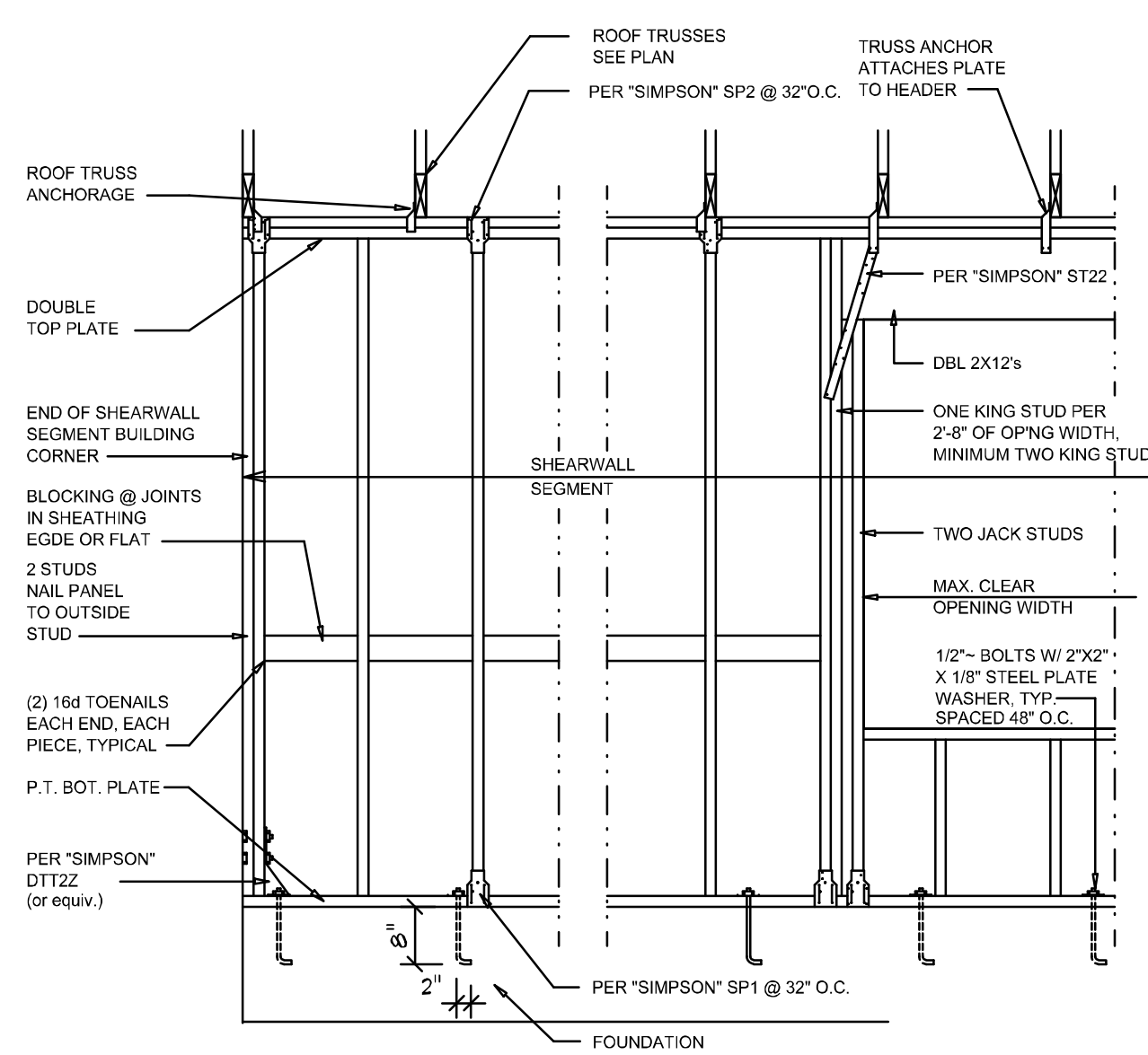
NTS

NOTE: ALL WOOD TO BE NUMBER 2 GRADE SOUTHERN YELLOW PINE

**Truss Bracing DETAILS**

SCALE: AS NOTED

D



**Shear Wall DETAILS**

SCALE: NONE

E

- SHEARWALL NOTES:**
- ALL SHEARWALLS SHALL BE TYPE 2 SHEARWALLS AS DEFINED BY STD 10-97 S883 305.4.3.
  - THE WALL SHALL BE ENTIRELY SHEATHED WITH 7/16" O.S.B. INCLUDING AREAS ABOVE AND BELOW OPENING S.
  - ALL SHEATHING SHALL BE ATTACHED TO FRAMING ALONG ALL FOUR EDGES WITH JOINTS FOR ADJACENT PANELS OCCURRING OVER COMMON FRAMING MEMBERS OR ALONG BLOCKING.
  - NAIL SPACING SHALL BE 4" O.C. EDGES AND 8" O.C. IN THE FIELD.
  - TYPE 2 SHEARWALLS ARE DESIGNED FOR THE OPENING IT CONTAINS. MAXIMUM HEIGHT OF OPENING SHALL BE 5/6 TIMES THE WALL HEIGHT. THE MINIMUM DISTANCE BETWEEN OPENINGS SHALL BE THE WALL HEIGHT/3.5 FOR 8'-0" WALLS (2'-3").

OPENING WIDTH	SILL PLATES	16d TOE NAILS EACH END
UP TO 6'-0"	(1) 2x4 OR (1) 2x6	1
> 6' TO 9'-0"	(3) 2x4 OR (1) 2x6	2
> 9' TO 12'-0"	(5) 2x4 OR (2) 2x6	3

NOTE: ALL DRAWINGS NOT TO BE SCALED, WRITTEN DIMENSIONS TAKE PRECEDENCE OVER SCALED DIMENSIONS