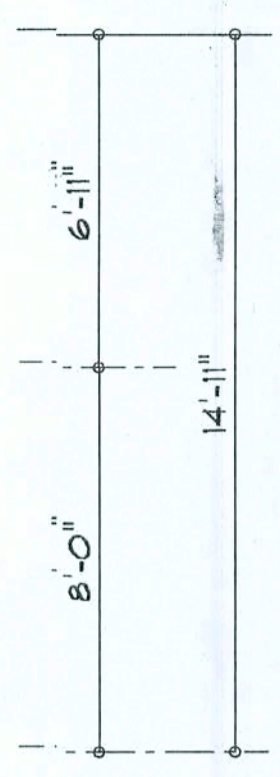
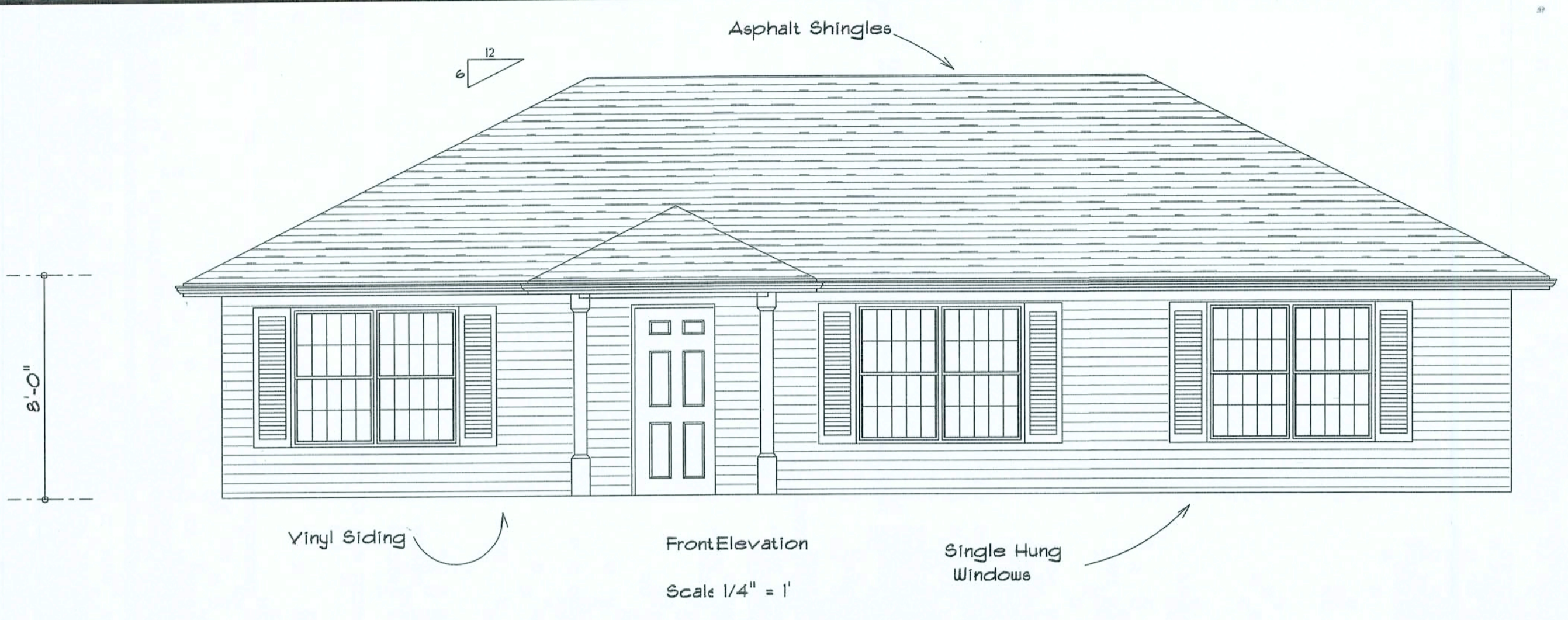


Office Copy

REVISIONS

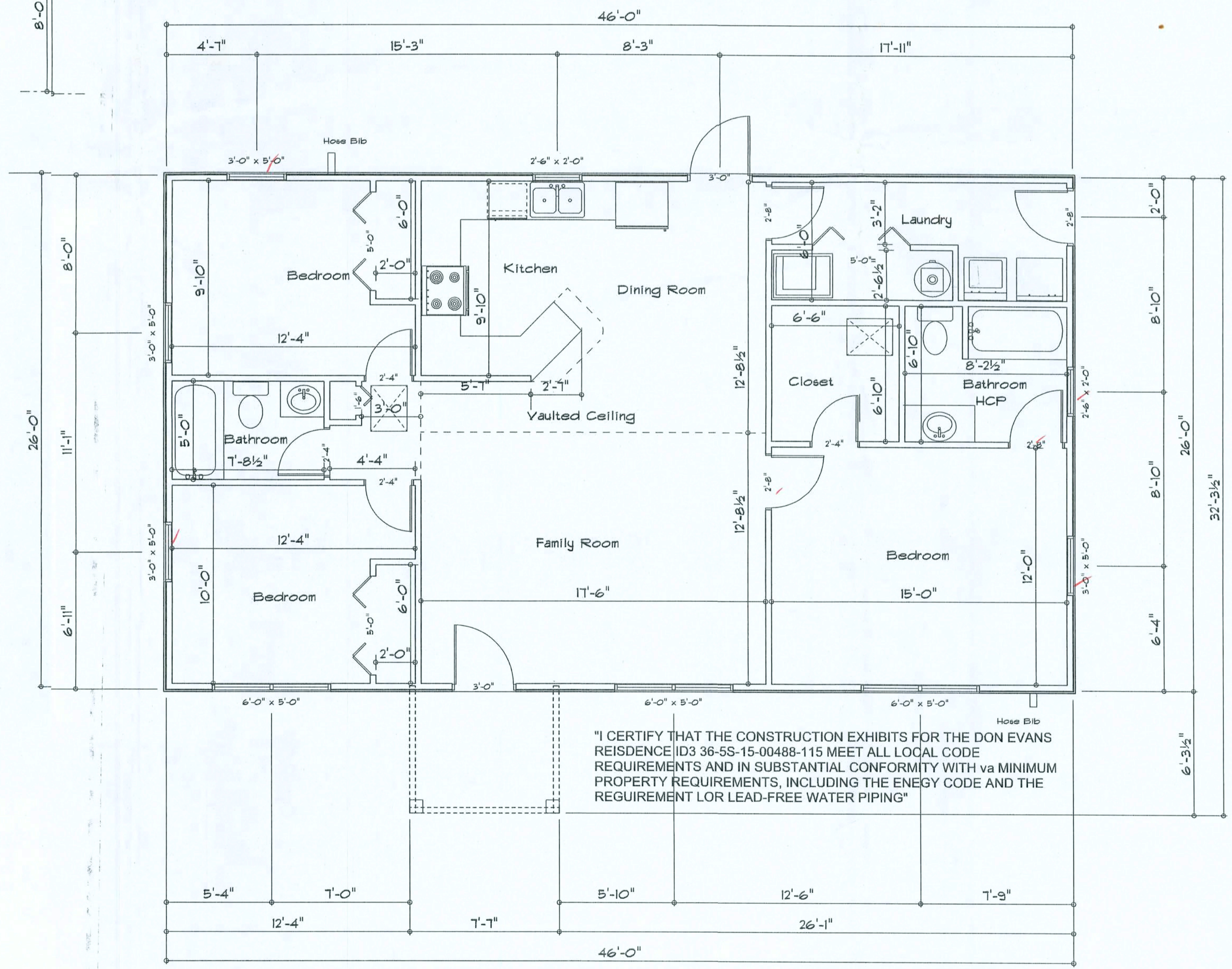
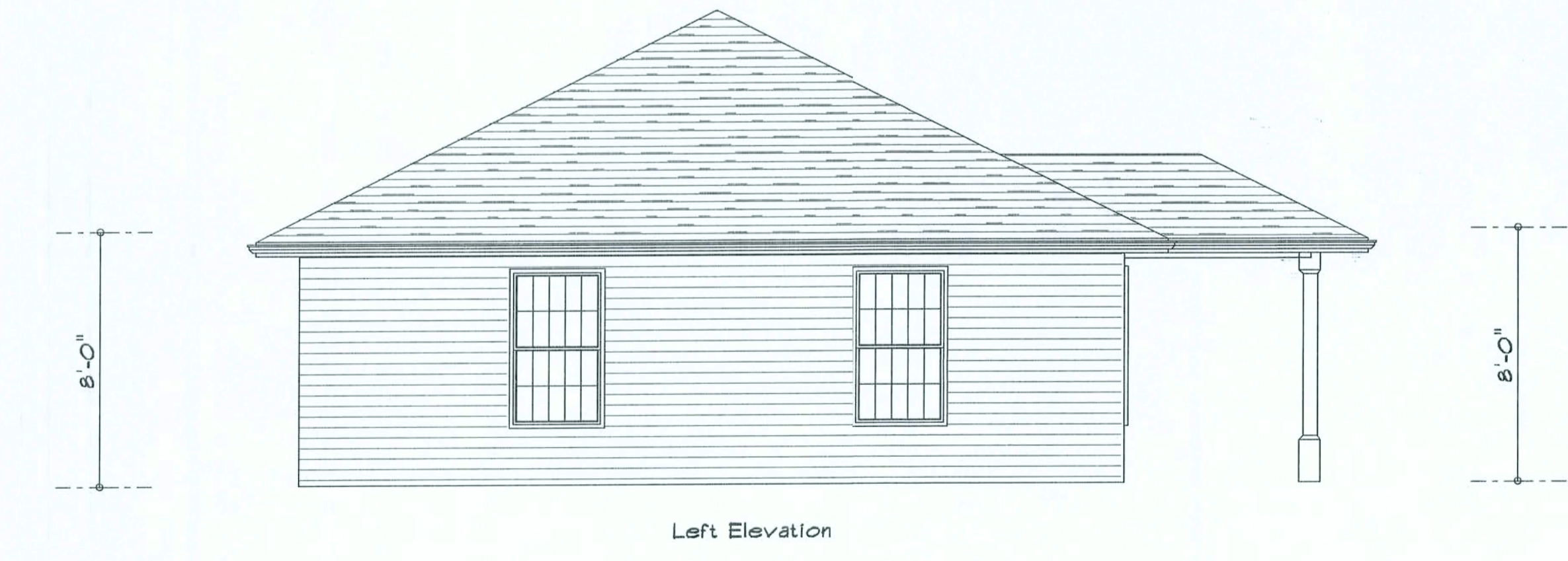
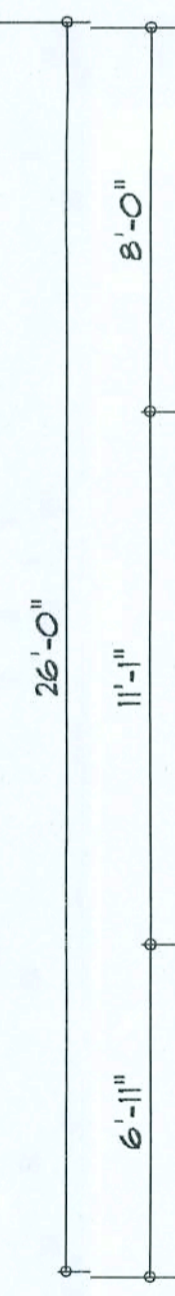
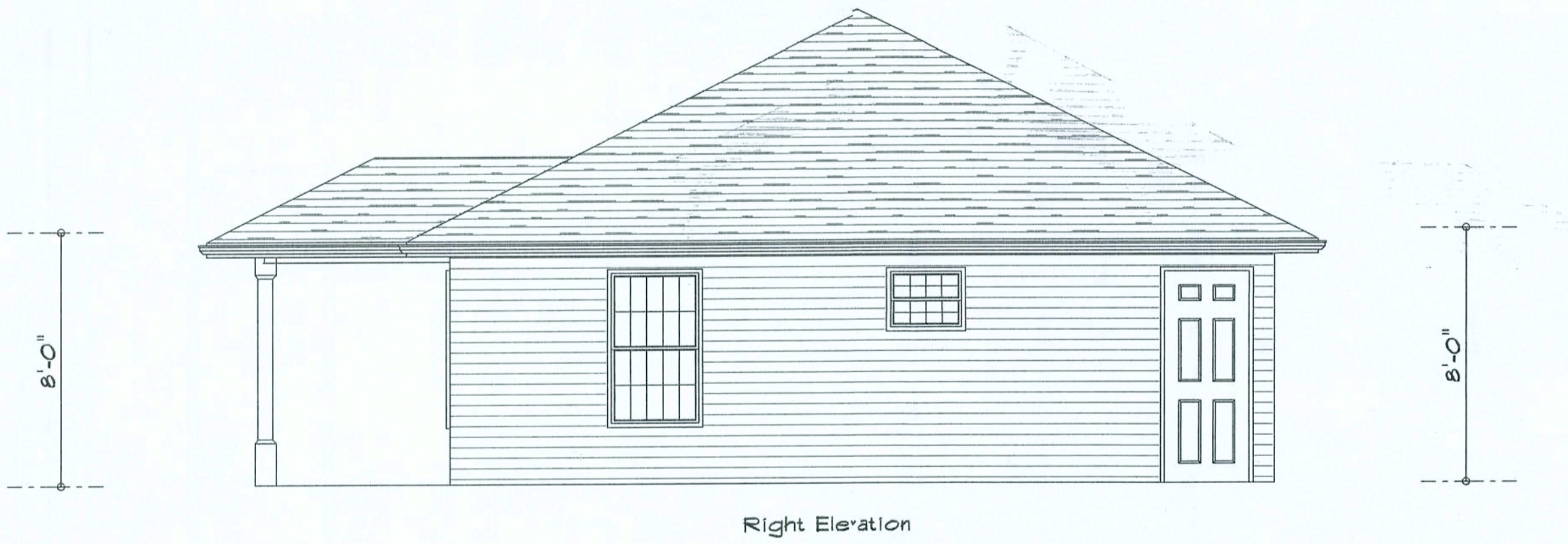
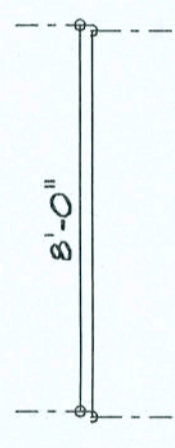


Notes:
 R-1 All roof pitches shall be 6/12 unless otherwise noted.
 R-2 All overhangs shall be 24" except on gables 18".
 R-3 Provide attic ventilation in accordance with code requirements (1/300th insulated attic).



AREA SUMMARY

Living Area	1196	S.F.
Garage Area	0	S.F.
Porch Area	48	S.F.
Total Area	1244	S.F.



"I CERTIFY THAT THE CONSTRUCTION EXHIBITS FOR THE DON EVANS RESIDENCE ID3 36-5S-15-00488-115 MEET ALL LOCAL CODE REQUIREMENTS AND IN SUBSTANTIAL CONFORMITY WITH va MINIMUM PROPERTY REQUIREMENTS, INCLUDING THE ENEGY CODE AND THE REQUIREMENT LOR LEAD-FREE WATER PIPING"

DON EVANS RESIDENCE

ADDRESS:
 ID # 3655-15-00488-115

Woodman Park Builders, Inc.
 Lake City, Florida
 Phone: (386) 755-8699
 Fax: (386) 755-8684
 Email:

PRINTED DATE:
 June 1, 2006

DRAWN BY: MARK HADDOX
 CHECKED BY:

DESIGNED BY:
 Mark Haddox

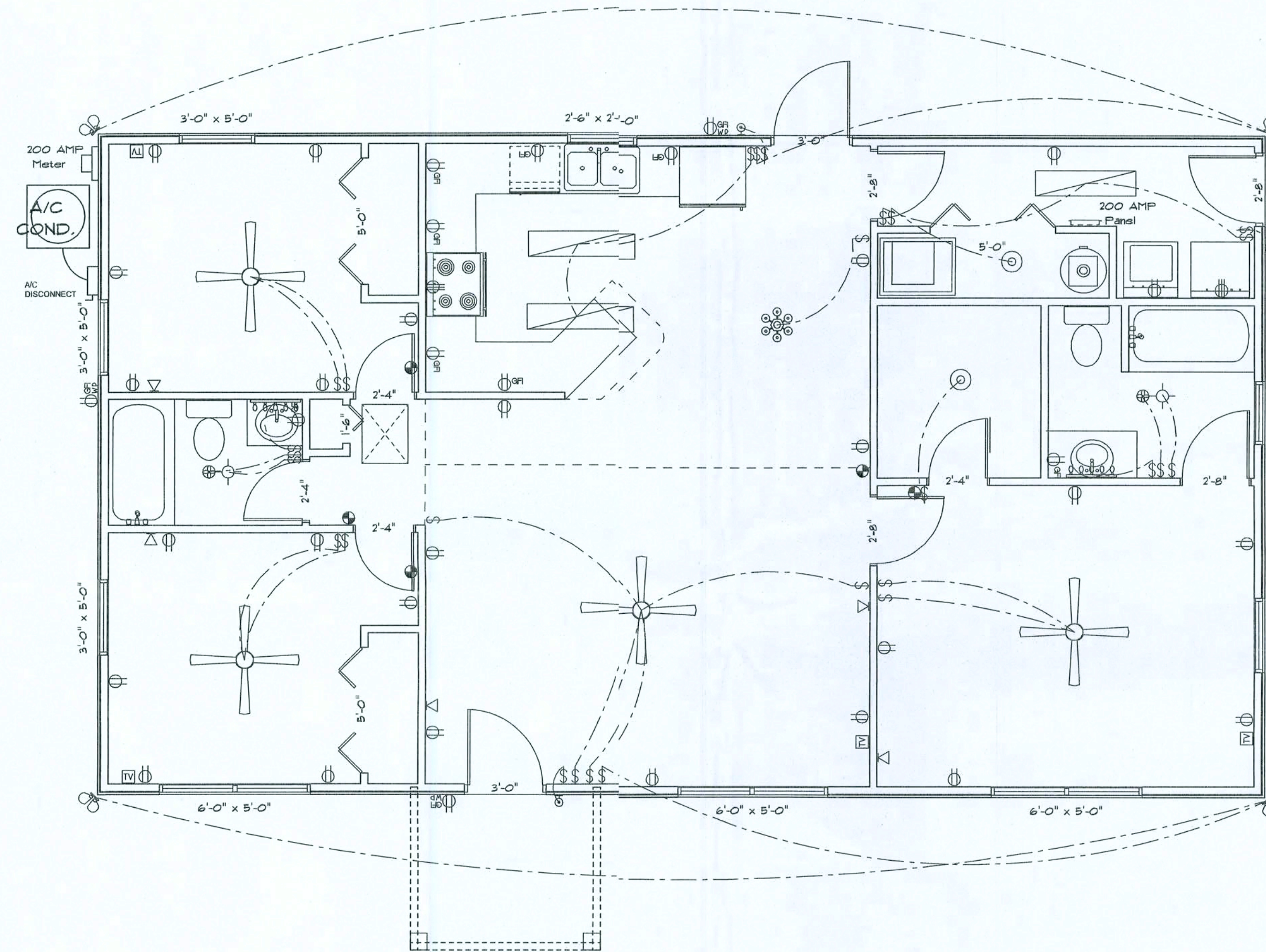
FINALS DATE:

JOB NUMBER:
 605208

DRAWING NUMBER

Electrical Plan Notes:

- E-1 Wire all appliances, HVAC units and other equipment per manufacturer's specifications.
- E-2 Consult the owner for the number or separate telephone lines to be installed. Owner is responsible for all overages not noted on plan.
- E-3 All installations shall be per national code.
- E-4 All smoke detectors shall be 120v with battery back-up of the photoelectric type, and shall be interlocked together. Install inside and near all bedrooms.
- E-5 Telephones, television and other low voltage devices or outlets shall be as per the owner's directions and in accordance with applicable sections of the National Electric Code's latest edition. Owner is responsible for all overages not noted on plan.
- E-6 Electrical contractor shall be responsible for the design and sizing of electrical service and circuits.
- E-7 Entry of service (underground or overhead) to be determined by contractor agreement.
- E-8 All bedroom receptacles shall be AFCI (arc fault circuit interrupter).
- E-9 All outlets to be located above base flood elevation.
- E-10 All exterior GFI outlets shall be weatherproof.
- E-11 Overcurrent Protection device shall be installed on the exterior of structures to serve as a disconnecting means. Conductors used from the exterior disconnecting means to a panel or sub panel shall have four-wire conductors, of which one conductor shall be used as an equipment ground.



ELECTRICAL	SYMBOL
ceiling fan globe 1	
ceiling globe light	
chandelier	
double spotlight	
fluorescent fixture	
vanity bar light	
wall sconce	
electrical panel	
AC Disconnect	
Outlet WP GFI	
cable tv outlet	
fan	
light	
outlet	
outlet 220v	
outlet gfi	
smoke detector	
switch	
telephone	

DON EVANS
RESIDENCE

ADDRESS:
ID # 3655-15-00488-115

Woodman Park Builders, Inc.
Lake City, Florida
Phone: (866) 755 - 8699
Fax: (386) 755-8684
Email:

PRINTED DATE:
June 1, 2006

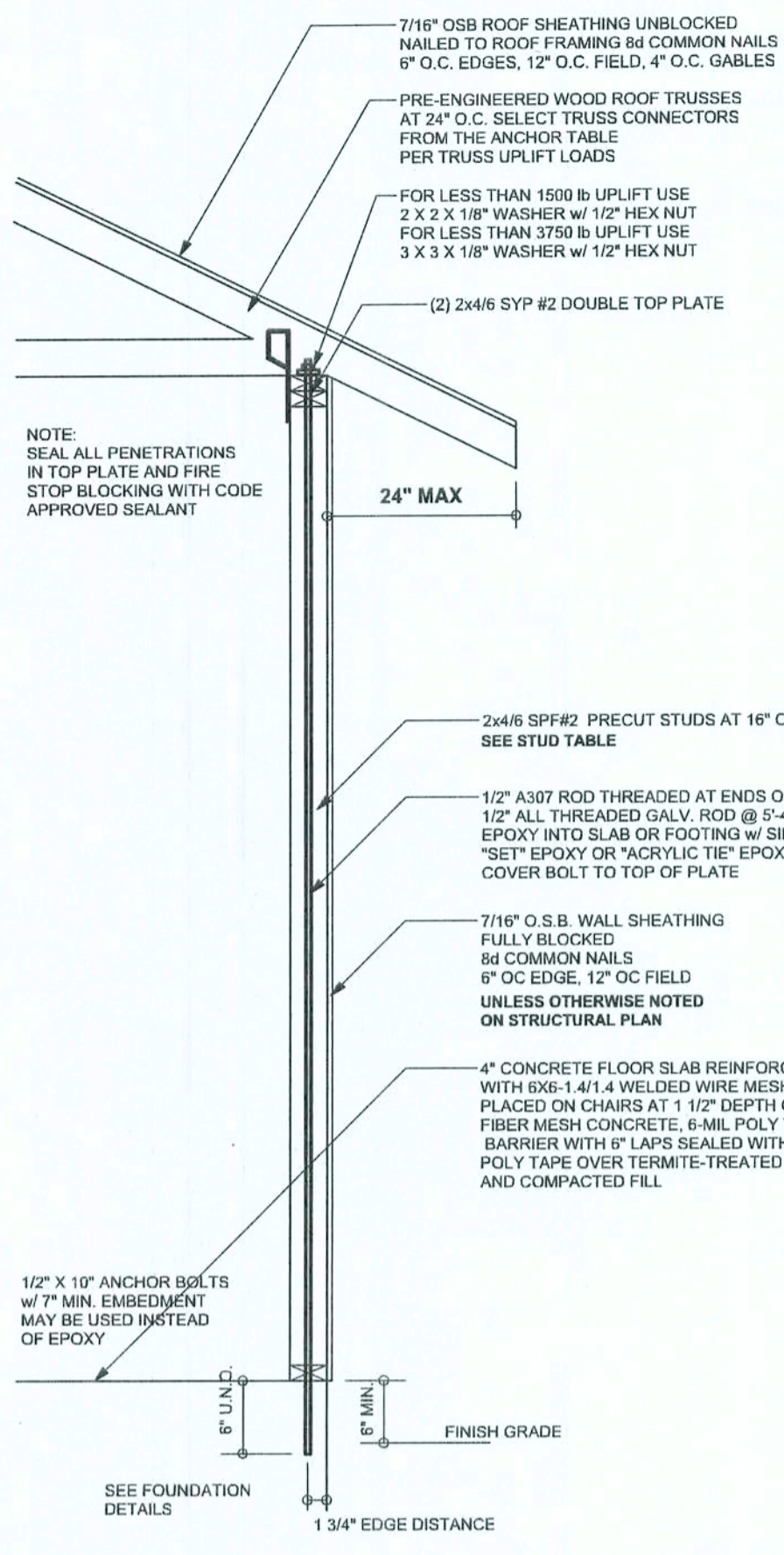
DRAWN BY: MARK HADDOX
CHECKED BY:

DESIGNED BY:
Mark Haddox

FINAL DATE:

JOB NUMBER:
605208

DRAWING NUMBER

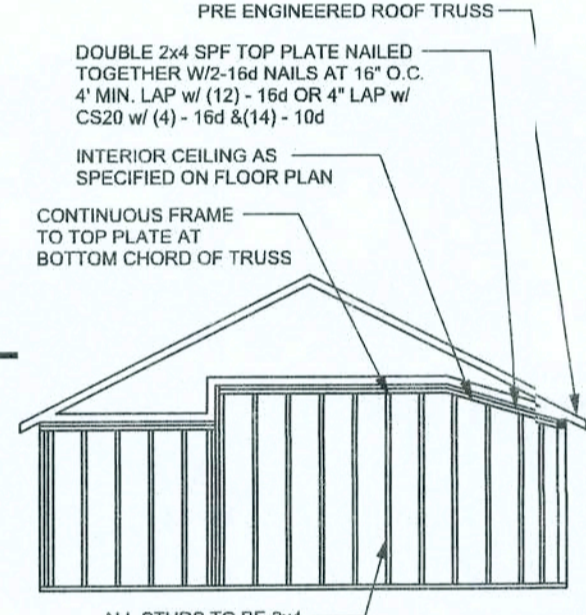


ONE STORY WALL SECTION
SCALE: 3/4" = 1'-0"

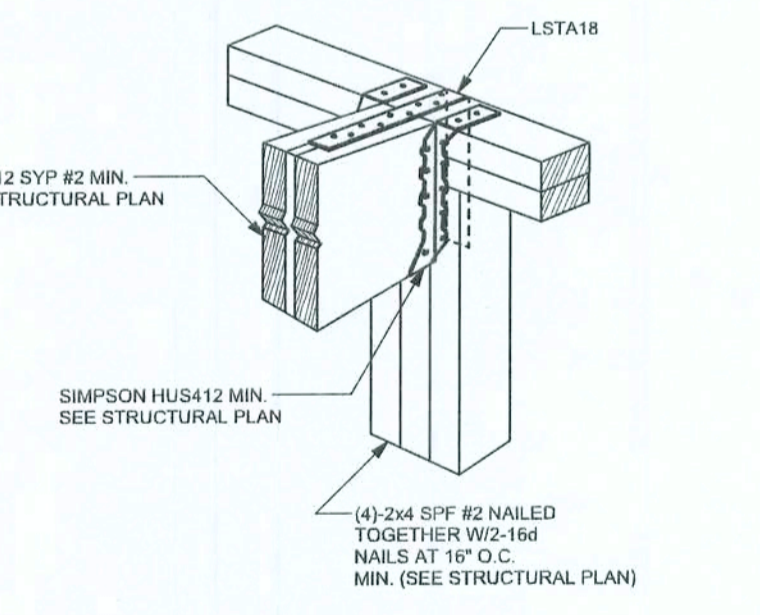
EXTERIOR WALL STUD TABLE FOR SPF #2 STUDS

(1) 2x4 @ 16" OC	TO 11'-9" STUD HEIGHT
(1) 2x4 @ 12" OC	TO 13'-0" STUD HEIGHT
(1) 2x6 @ 16" OC	TO 18'-10" STUD HEIGHT
(1) 2x6 @ 12" OC	TO 20'-0" STUD HEIGHT

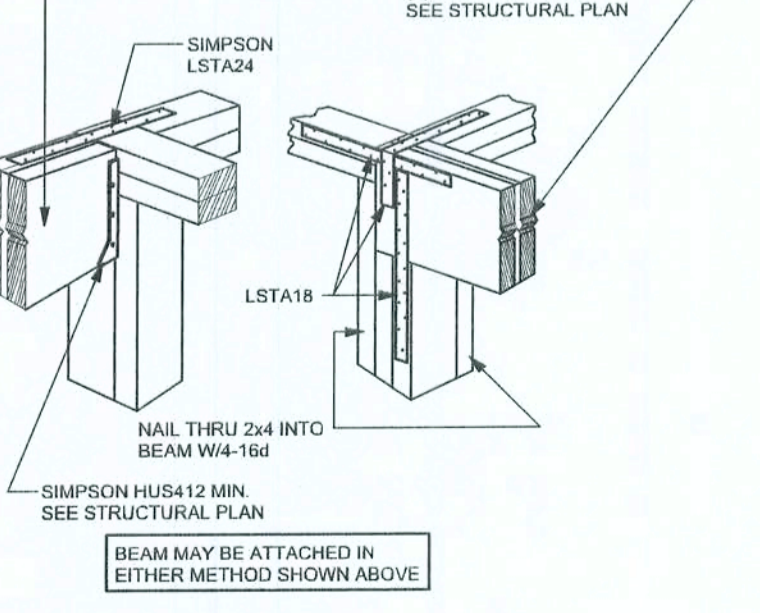
THIS STUD HEIGHT TABLE IS PER WFCM 2001, TABLE 3.20B, EXTERIOR LOAD BEARING & NON LOAD BEARING STUD LENGTHS RESISTING INTERIOR ZONE WIND LOADS. 110 MPH EXPOSURE & STUD SPACINGS SHALL BE MULTIPLIED BY 0.85 FOR FRAMING LOCATED WITHIN 4 FEET OF CORNERS FOR END ZONE LOADS. EXAMPLE 16" O.C. x 0.85 = 13.6" O.C.



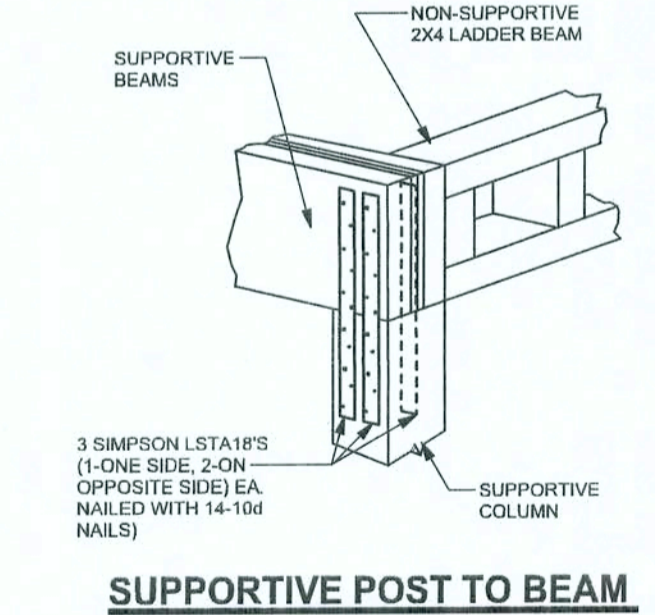
CONTINUOUS FRAME TO CEILING DIAPHRAGM DETAIL
SCALE: N.T.S.



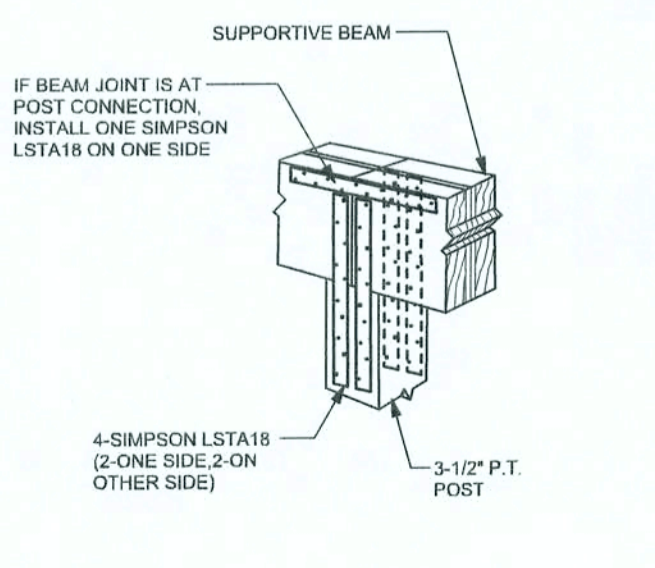
BEAM MID-WALL CONNECTION DETAIL
SCALE: N.T.S.



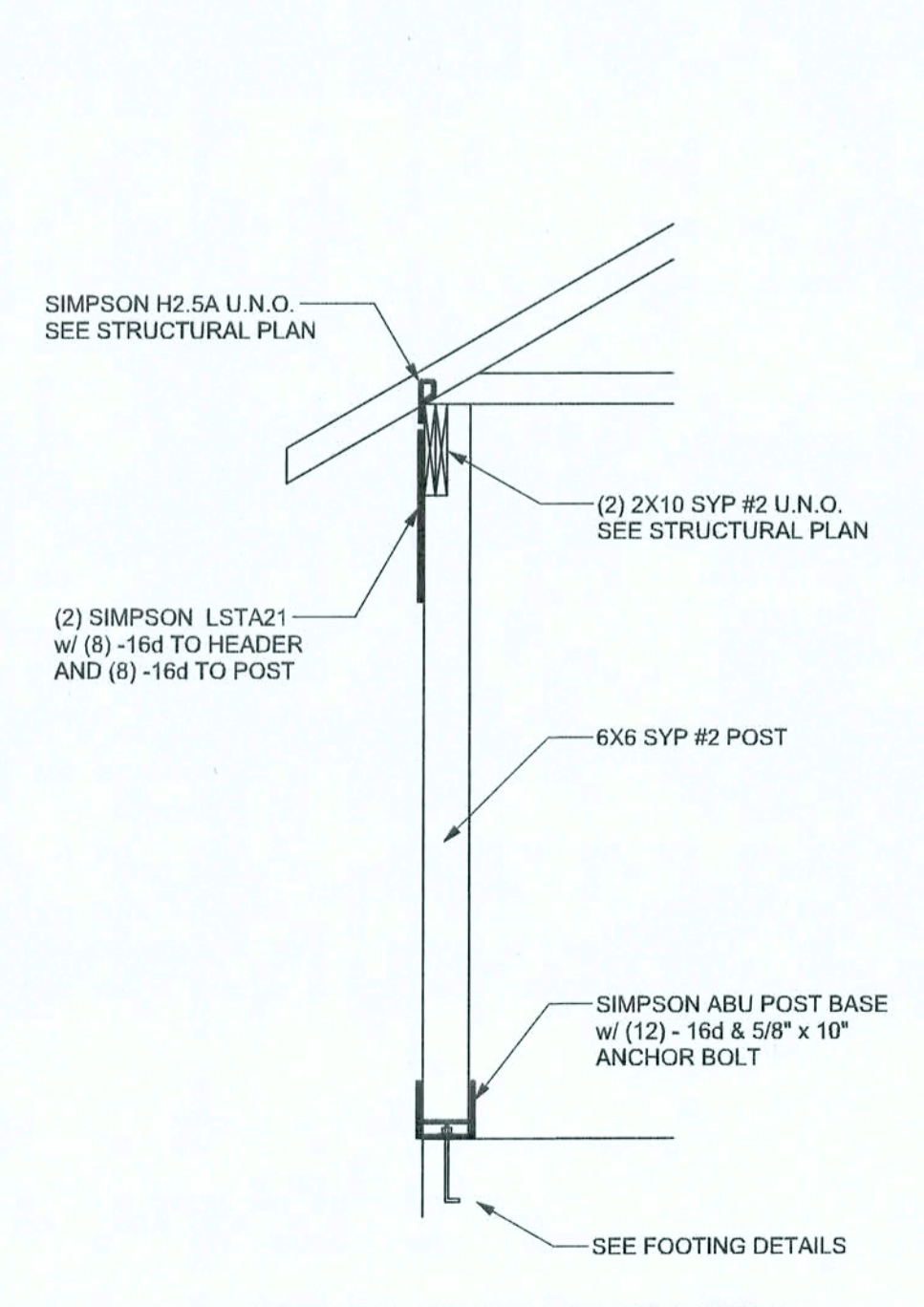
BEAM CORNER CONNECTION DETAIL
SCALE: N.T.S.



SUPPORTIVE POST TO BEAM DETAIL FOR SINGLE BEAM
SCALE: N.T.S.

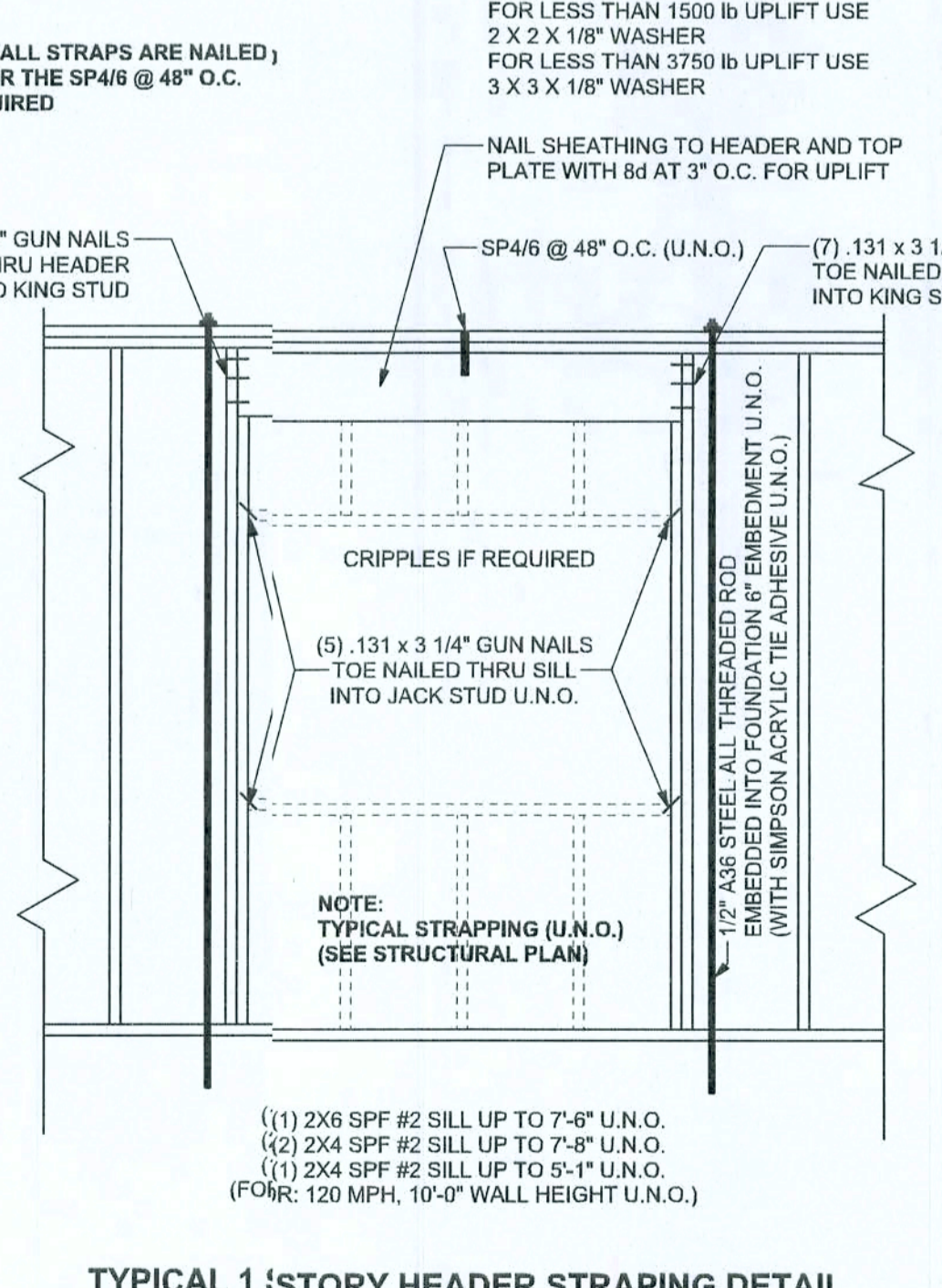


SUPPORTIVE CENTER POST TO BEAM DETAIL
SCALE: N.T.S.



TYPICAL PORCH POST DETAIL
SCALE: 1/2" = 1'-0"

NOTE: IF TRUSS TO WALL STRAPS ARE NAILED TO THE HEADER THE SPA/6 @ 48" O.C. ARE NOT REQUIRED



TYPICAL 1-STORY HEADER STRAPING DETAIL
SCALE: 1/2" = 1'-0"

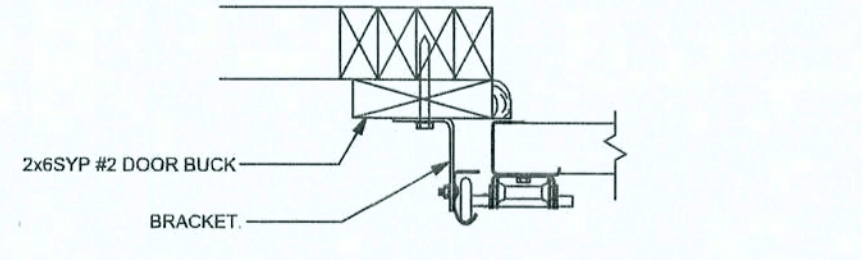
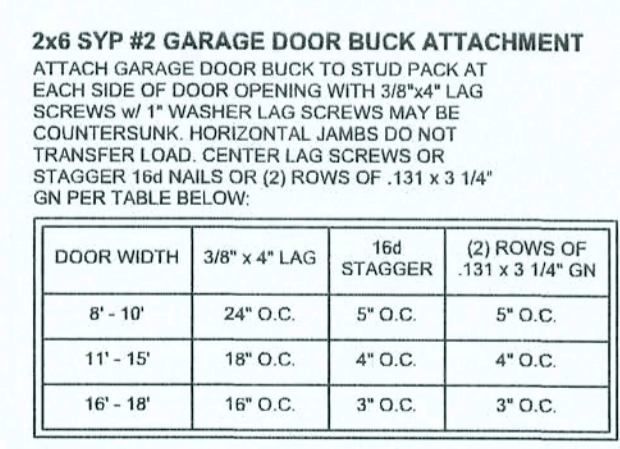
ANCHOR TABLE

OBTAIN UPLIFT REQUIREMENTS FROM TRUSS MANUFACTURER'S ENGINEERING

UPLIFT LBS. SYP	UPLIFT LBS. SPF	TRUSS CONNECTOR*	TO PLATES	TO RAFTER/TRUSS	TO STUDS
< 420	< 245	H5A	3-8d	3-8d	
< 455	< 265	H5	4-8d	4-8d	
< 360	< 235	H4	4-8d	4-8d	
< 455	< 320	H3	4-8d	4-8d	
< 415	< 365	H2.5	5-8d	5-8d	
< 600	< 535	H2.5A	5-8d	5-8d	
< 950	< 820	H8	8-8d	8-8d	
< 745	< 565	H8	5-10d, 1 1/2"	5-10d, 1 1/2"	
< 1465	< 1050	H14-1	13-8d	12-8d, 1 1/2"	
< 1465	< 1050	H14-2	15-8d	12-8d, 1 1/2"	
< 990	< 850	H10-1	8-8d, 1 1/2"	8-8d, 1 1/2"	
< 760	< 655	H10-2	6-10d	6-10d	
< 1470	< 1265	H16-1	10-10d, 1 1/2"	2-10d, 1 1/2"	
< 1470	< 1265	H16-2	10-10d, 1 1/2"	2-10d, 1 1/2"	
< 1000	< 860	MTS24C	7-10d 1 1/2"	7-10d 1 1/2"	
< 1450	< 1245	HTS24	12-10d 1 1/2"	12-10d 1 1/2"	
< 2900	< 2490	2-HTS24			
< 2050	< 1785	LG2	14-16d	14-16d	
HEAVY GIRDER TIEDOWNS*			TO FOUNDATION		
< 3965	< 3330	MGT		22-10d	1-5/8" THREADED ROD 12" EMBEDMENT
< 10980	< 6485	HGT-2		16-10d	2-5/8" THREADED ROD 12" EMBEDMENT
< 10530	< 9035	HGT-3		16-10d	2-5/8" THREADED ROD 12" EMBEDMENT
< 9250	< 9250	HGT-4		16-10d	2-5/8" THREADED ROD 12" EMBEDMENT
STUD STRAP CONNECTOR*			TO STUDS		
< 435	< 435	SSP DOUBLE TOP PLATE	3-10d		4-10d
< 455	< 420	SSP SINGLE SILL PLATE	1-10d		4-10d
< 825	< 825	DSP DOUBLE TOP PLATE	6-10d		8-10d
< 825	< 600	DSP SINGLE SILL PLATE	2-10d		8-10d
< 885	< 760	SP4			6-10d, 1 1/2"
< 1240	< 1065	SPH4			10-10d, 1 1/2"
< 885	< 760	SP6			6-10d, 1 1/2"
< 1240	< 1065	SPH6			10-10d, 1 1/2"
< 1235	< 1165	LSTA18	14-10d		
< 1235	< 1235	LSTA21	16-10d		
< 1030	< 1030	CS20	18-8d		
< 1705	< 1705	CS16	28-8d		
STUD ANCHORS*			TO STUDS		
< 1350	< 1305	LTT19	8-16d		12" AB
< 2310	< 2310	LTT31	18-10d, 1 1/2"		12" AB
< 2775	< 2570	HD2A	2-5/8" BOLTS		5/8" AB
< 4175	< 3695	HTT16	18-16d		5/8" AB
< 1400	< 1400	PAHD42	16-16d		
< 3335	< 3335	HPAHD22	16-16d		
< 2200	< 2200	ABU44	12-16d		1/2" AB
< 2300	< 2300	ABU86	12-16d		1/2" AB
< 2320	< 2320	ABU88	18-16d		2-5/8" AB

GRADE & SPECIES TABLE

	Fb (psi)	E (10 ⁶ psi)	
2x8	SYP #2	1200	1.6
2x10	SYP #2	1050	1.6
2x12	SYP #2	975	1.6
GLB	24F-V3 SP	2400	1.8
LSL	TIMBERSTRAND	1700	1.7
LVL	MICROLAM	2900	2.0
PSL	PARALAM	2900	2.0



GARAGE DOOR BUCK INSTALLATION DETAIL
SCALE: N.T.S.

GENERAL NOTES:

TRUSSES: TRUSSES SHALL BE DESIGNED BY A FLORIDA LICENSED ENGINEER IN ACCORDANCE WITH THE FBCR 2004. TRUSS ENGINEERING SHALL INCLUDE TRUSS DESIGN, PLACEMENT PLANS, TEMPORARY ANCHORING BRACING DETAILS, TRUSS TO TRUSS CONNECTIONS, AND UPLIFT AND REACTION LOADS FOR ALL BEARING LOCATIONS. TRUSS ENGINEERING IS THE RESPONSIBILITY OF THE TRUSS MANUFACTURER AND SHALL BE SIGNED & SEALED BY THE MANUFACTURER'S DESIGN ENGINEER. IT IS THE BUILDER'S RESPONSIBILITY TO VERIFY THE TRUSS ENGINEERING IS FULLY SATISFIED ALL THE ABOVE REQUIREMENTS AND TO SELECT UPLIFT CONNECTIONS BASED ON TRUSS ENGINEERING UPLIFT AND PROVIDE FOOTINGS FOR INTERIOR BEARING WALLS. BUILDER TO FURNISH TRUSS ENGINEERING TO WIND LOAD ENGINEER FOR REVIEW OF TRUSS REACTIONS ON THE BUILDING STRUCTURE. STRAP 2x6 RAFTERS WITH MIN UPLIFT CONNECTION 415LB EACH END, 2x8 RAFTERS 700 LB EACH END.

SITE PREPARATION: SITE ANALYSIS AND PREPARATION IS NOT PART OF THIS PLAN.

FOUNDATION: CONFIRM THAT THE FOUNDATION DESIGN & SITE CONDITIONS MEET GRAVITY LOAD REQUIREMENTS (ASSUME 1000 PSF BEARING CAPACITY UNLESS VISUAL OBSERVATION OR SOILS TEST PROVES OTHERWISE).

CONCRETE: MINIMUM COMPRESSIVE STRENGTH OF CONCRETE AT 28 DAYS, Fc = 3000 PSI.

WELDED WIRE REINFORCED SLAB: 6" x 6" W14 x W14, FB = 85KSI, WELDED WIRE REINFORCEMENT FABRIC (W.W.R.) CONFORMING TO ASTM A188, LOCATED IN MIDDLE OF THE SLAB, SUPPORTED WITH APPROVED MATERIALS OR SUPPORTS AT SPACINGS NOT TO EXCEED 7'.

FIBER CONCRETE SLAB: CONCRETE SLABS ON GROUND CONTAINING SYNTHETIC FIBER REINFORCEMENT FIBER LENGTH 1/2 INCH TO 2 INCHES. DOSAGE AMOUNTS FROM 0.75 TO 1.5 POUNDS PER CUBIC YARD PER THE MANUFACTURER'S RECOMMENDATIONS. FIBERS TO COMPLY WITH ASTM C 1116. SUPPLIER TO PROVIDE ASTM C 1116 CERTIFICATION OF COMPLIANCE WHEN REQUESTED BY BUILDING OFFICIAL.

CONTROL JOINTS: WHERE SPECIFIED, SAWN CONTROL JOINTS IN SLAB-ON-GRADE SHALL BE CUT IN ACCORDANCE WITH ACI 302. JOINTS SHALL BE CUT WITHIN 12 HOURS OF SLAB PLACEMENT. THE LENGTH / WIDTH RATIOS OF SLAB AREAS SHALL NOT EXCEED 1.5 AND TYPICAL SPACING OF CUTS TO BE 18FT. DO NOT CUT W/M OR REINFORCING STEEL. (RECOMMENDED LOCATION OF CONTROL JOINTS IS SUBJECT TO BUT RATHER TO ENCOURAGE THE SLAB TO CRACK ON A GIVEN LINE).

REBAR: ASTM A 615, GRADE 60, DEFORMED BARS, FY = 60 KSI. ALL LAP SPACINGS 40' (30' FOR #5 BARS), UNO. ALL REINFORCEMENT SHALL BE DETAILED AND PLACED IN ACCORDANCE WITH ACI 315-06, UNO.

GLULAM BEAMS: GLULAM BEAM, GLB, 24F-V3SP, Fb = 2400psi, E = 1800ksi. UNO. SUPPLIER MAY SUPPLY AN ALTERNATE BEAM WITH EQUAL PROPERTIES OR MAY SUBMIT THEIR OWN BEAMING CALC.

ROOF SHEATHING: ALL ROOFS ARE HORIZONTAL DIAPHRAGMS, 7/16" OSB SHEATHING, UNLOCKED, STAGGERED, FASTENED WITH 8d COMMON NAILS (131) @ 6" O.C. PANEL EDGES, 12" @ INTERMEDIATE MEMBERS, GABLE ENDS AND DIAPHRAGM BOUNDARY, 4" O.C. UNO.

STRUCTURAL CONNECTORS: MANUFACTURER AND PRODUCT NUMBER FOR CONNECTORS, ANCHORS, AND REINFORCEMENT ARE LISTED FOR EXAMPLE NOT EXHAUSTIVE. AN EQUIVALENT DEVICE OF THE SAME OR OTHER MANUFACTURER CAN BE SUBSTITUTED FOR ANY DEVICES LISTED IN THE EXAMPLE TABLES AS LONG AS IT MEETS THE REQUIRED LOAD CAPACITIES. MANUFACTURER'S INSTALLATION INSTRUCTIONS MUST BE FOLLOWED TO ACHIEVE RATED LOADS.

ANCHOR BOLTS: A-307 ANCHOR BOLTS WITH MINIMUM EMBEDMENT AS SPECIFIED IN DRAWINGS BUT NO LESS THAN 7" IN CONCRETE OR REINFORCED BOND BEAM OR 15" IN GROUTED CMU.

WASHERS: WASHERS USED WITH 1/2" BOLTS TO BE 2" x 2" x 9/64"; WITH 5/8" BOLTS TO BE 3" x 3" x 9/64"; WITH 3/4" BOLTS TO BE 3" x 3" x 9/64"; WITH 7/8" BOLTS TO BE 3" x 3" x 9/16"; UNO.

NAILS: ALL NAILS ARE COMMON NAILS UNLESS OTHERWISE SPECIFIED OR ACCEPTED BY FBC TEST REPORTS AS HAVING EQUAL STRUCTURAL VALUES.

BUILDER'S RESPONSIBILITY

THE BUILDER AND OWNER ARE RESPONSIBLE FOR THE FOLLOWING, WHICH ARE SPECIFICALLY NOT PART OF THE WIND LOAD ENGINEER'S SCOPE OF WORK.

CONFIRM SITE CONDITIONS, FOUNDATION BEARING CAPACITY, GRADE AND BACKFILL HEIGHT, WIND SPEED AND DEBRIS ZONE, AND FLOOD ZONE.

PROVIDE MATERIALS AND CONSTRUCTION TECHNIQUES, WHICH COMPLY WITH FBCR 2004 REQUIREMENTS FOR THE STATED WIND VELOCITY AND DESIGN PRESSURES.

PROVIDE A CONTINUOUS LOAD PATH FROM TRUSSES TO FOUNDATION. IF YOU BELIEVE THE PLAN OMMITS A CONTINUOUS LOAD PATH CONNECTION, CALL THE WIND LOAD ENGINEER IMMEDIATELY.

VERIFY THE TRUSS MANUFACTURER'S SEALED ENGINEERING INCLUDES TRUSS DESIGN, PLACEMENT PLANS, TEMPORARY AND PERMANENT BRACING DETAILS, TRUSS-TO-TRUSS CONNECTIONS AND UPLIFT AND REACTION LOADS FOR ALL BEARING LOCATIONS.

ROOF SYSTEM DESIGN

THE SEAL ON THESE PLANS FOR COMPLIANCE WITH FBCR 2004, SECTION R301.2.1 IS BASED ON REACTIONS, UPLIFTS, AND BEARING LOCATIONS IN TRUSS ENGINEERING SUBMITTED TO THE WIND LOAD ENGINEER. IT IS THE RESPONSIBILITY OF THE BUILDER TO CHECK ALL DETAILS OF THE COMPLETE ROOF SYSTEM DESIGN SUBMITTED BY THE TRUSS MANUFACTURER AND HAVE IT SIGNED, AND SEALED BY A DESIGN PROFESSIONAL FOR CORRECT APPLICATION OF FBCR 2004 REQUIRED LOADS AND ANY SPECIAL LOADS. THE BUILDER IS RESPONSIBLE TO REVIEW EACH INDIVIDUAL TRUSS MEMBER AND THE TRUSS ROOF SYSTEM AS A WHOLE AND TO PROVIDE RESTRAINT FOR ANY LATERAL BRACING. THE BUILDER SHOULD USE CARE CHECKING THE ROOF DESIGN BECAUSE THE WIND LOAD ENGINEER IS SPECIFICALLY NOT RESPONSIBLE FOR THE TRUSS LAYOUT WHICH WAS CREATED BY THE TRUSS MANUFACTURER AND THE TRUSS DESIGNER ALSO DENIES RESPONSIBILITY FOR THE LAYOUT PER NOTES ON THEIR SEALED TRUSS SHEETS.

DESIGN DATA

WIND LOADS PER FLORIDA BUILDING CODE 2004 RESIDENTIAL, SECTION R301.2.1
(ENCLOSED SIMPLE DIAPHRAGM BUILDINGS WITH FLAT, HIPPED, OR GABLE ROOFS; MEAN ROOF HEIGHT NOT EXCEEDING LEAST HORIZONTAL DIMENSION OR 60 FT; NOT ON UPPER HALF OF HILL OR ESCARPMENT 60FT IN EXP. B, 30FT IN EXP. C AND >10% SLOPE AND UNOBSTRUCTED UPWIND FOR 50x HEIGHT OR 1 MILE WHICHEVER IS LESS.)

BUILDING IS NOT IN THE HIGH VELOCITY HURRICANE ZONE
BUILDING IS NOT IN THE WIND-BORNE DEBRIS REGION

- 1.) BASIC WIND SPEED = 110 MPH
- 2.) WIND EXPOSURE = B
- 3.) WIND IMPORTANCE FACTOR = 1.0
- 4.) BUILDING CATEGORY = II
- 5.) ROOF ANGLE = 10-45 DEGREES
- 6.) MEAN ROOF HEIGHT = <30 FT
- 7.) INTERNAL PRESSURE COEFFICIENT = NA (ENCLOSED BUILDING)
- 8.) COMPONENTS AND CLADDING DESIGN WIND PRESSURES (TABLE R301.2(2))

Zone	Effective Wind Area (ft ²)		
	10	100	1000
1	19.9	21.8	18.1
2	19.9	25.5	18.1
2 Other		-40.6	-40.6
3	19.9	25.5	18.1
3 Other		48.3	-42.4
4	21.8	23.6	19.5
5	21.8	29.1	18.5

Doors & Windows	21.8	29.1
Wind Case (Zone 5, 10 ft ²)		
8x7 Garage Door	19.5	-22.9
16x7 Garage Door	18.5	-21.0

DESIGN LOADS

FLOOR: 40 PSF (ALL OTHER DWELLING ROOMS)
30 PSF (SLEEPING ROOMS)
30 PSF (ATTICS WITH STORAGE)
10 PSF (ATTICS WITHOUT STORAGE, <3-12)

ROOF: 20 PSF (FLAT OR <12-12)
16 PSF (4-12 TO <12-12)
12 PSF (12-12 AND GREATER)

STAIRS 40 PSF (ONE & TWO FAMILY DWELLINGS)
SOIL BEARING CAPACITY 1000PSF
NOT IN FLOOD ZONE (BUILDER TO VERIFY)

REVISIONS



WINDLOAD ENGINEER: Mark Disoway, P.E. No. 53915, FCB 868, Lake City, FL 32056, 386-7545419

DIMENSIONS: Stated dimensions supersede scaled dimensions. Riser all questions to Mark Disoway P.E. for resolution. Do not proceed without clarification.

COPYRIGHTS AND PROFESSIONAL RIGHTS: Mark Disoway P.E. hereby expressly reserves its common law copyright and property right in these instruments of service. This document is not to be reproduced, altered or copied in any form or manner without first the express written permission and consent of Mark Disoway.

CERTIFICATION: I hereby certify that I have examined this plan, and that the applicable portions of the plan, relating to wind engineering comply with section R301.2.1, Florida building code residential 2004, to the best of my knowledge.

LIMITATION: This design is valid for one building, at specified location.

MARK DISOWAY
P.E. 53915
Mark Disoway
3/10/2006
SEAL

Woodman Park Builders

Evans Residence

ADDRESS:
Tax ID: 36-55-15-00488-115
Colusia County, Florida

MarkDisoway P.E.
P.O. Box 868
Lake City, Florida 32056
Phone: (386) 754 - 5419
Fax: (386) 269 - 4871

PRINTED DATE:
June 01, 2006

DRAWN BY: STRUCTURAL BY:
David Disoway

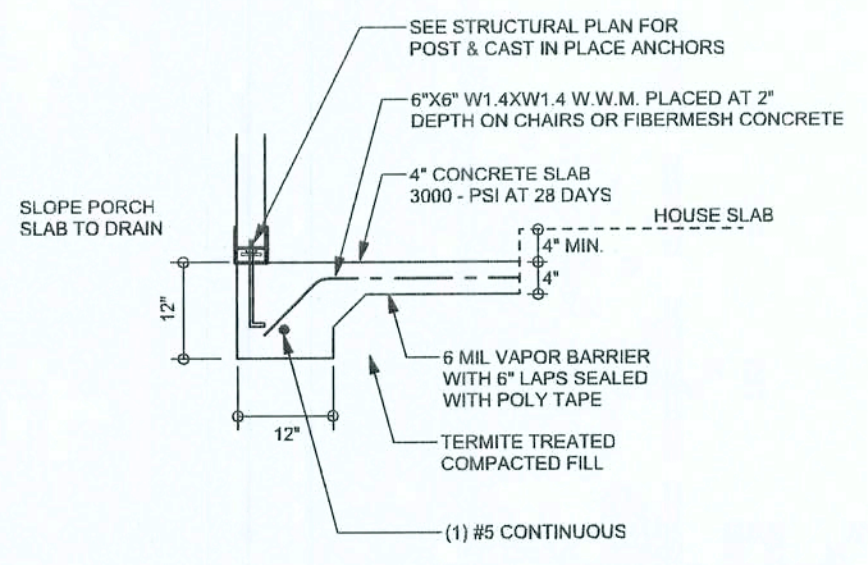
FINALS DATE:
29 / May / 06

JOB NUMBER:
605208

DRAWING NUMBER
S-1
OF 3 SHEETS

REVISIONS	

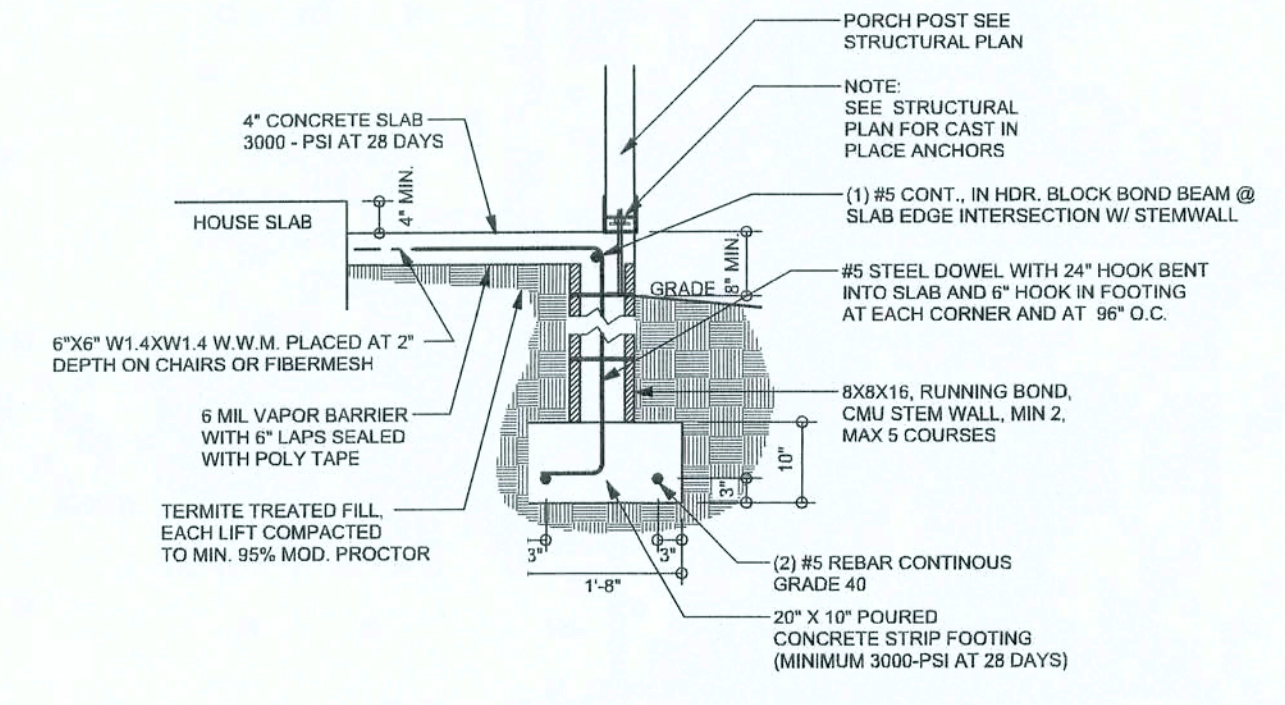
SOFTPLAN
ARCHITECTURAL DESIGN SOFTWARE



F5 PORCH FOOTING
SCALE: 1/2" = 1'-0"



F9 STEMWALL FOOTING
SCALE: 2" = 1'-0"

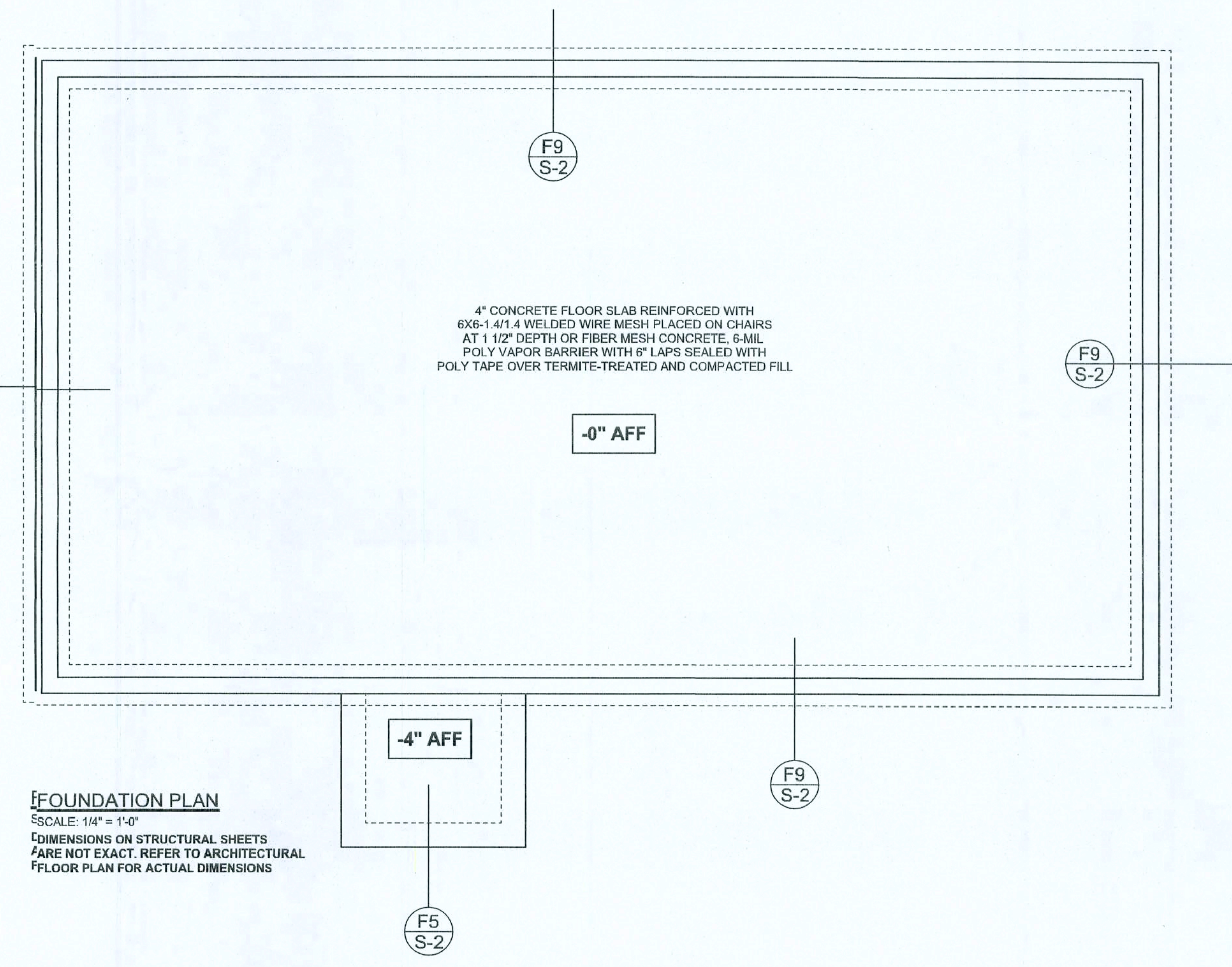


F12 ALT. STEM WALL PORCH FOOTING
SCALE: 2" = 1'-0"

TALL STEM WALL TABLE

The table assumes 60 ksi reinforcing steel with 9" hook in the footing and bent 24" into the reinforced slab at the top. The vertical steel is to be placed toward the tension side of the CMU wall (away from the soil pressure, within 2" of the exterior side of the wall). If the wall is over 8' high, add Diagonal ladder reinforcement at 16" O.C. vertically or a horizontal bond beam with 16" continuous at mid height. For higher parts of the wall 12" CMU may be used with reinforcement as shown in the table below.

STEMWALL HEIGHT (FEET)	UNBALANCED BACKFILL HEIGHT	VERTICAL REINFORCEMENT FOR 8" CMU STEMWALL (INCHES O.C.)			VERTICAL REINFORCEMENT FOR 12" CMU STEMWALL (INCHES O.C.)		
		#6	#7	#8	#5	#7	#8
3.3	3.0	9#	9#	9#	9#	9#	9#
4.0	3.7	9#	9#	9#	9#	9#	9#
4.7	4.3	8#	9#	9#	9#	9#	9#
5.3	5.0	5#	9#	9#	9#	9#	9#
6.0	5.7	4#	8#	9#	8#	9#	9#
6.7	6.3	3#	5#	8#	5#	9#	9#
7.3	7.0	2#	4#	5#	4#	8#	9#
8.0	7.7	1#	3#	4#	3#	6#	8#
8.7	8.3	8	2#	3#	2#	4#	6#
9.3	9.0	8	1#	2#	1#	4#	4#



FOUNDATION PLAN
SCALE: 1/4" = 1'-0"
DIMENSIONS ON STRUCTURAL SHEETS ARE NOT EXACT. REFER TO ARCHITECTURAL FLOOR PLAN FOR ACTUAL DIMENSIONS

WINDLOAD ENGINEER: Mark Disosway, P.E. No. 53915, 7468 86th, Lake City, FL 32056, 386-754-419

DIMENSIONS:
Scaled dimensions supersede scaled dimensions. Refer all questions to Mark Disosway, P.E. for resolution. Do not proceed without clarification.

COPYRIGHTS AND PROPERTY RIGHTS:
Mark Disosway, P.E. hereby expressly reserves its common law copyrights and property right in these instruments of service. This document is not to be reproduced, altered or copied in any form or manner without first the express written permission and consent of Mark Disosway.

CERTIFICATION: I hereby certify that I have examined this plan, and that the applicable portions of the plan, relating to wind engineering comply with section 6307.2(1), Florida building code residential 004, to the best of my knowledge.

LIMITATION: This design is valid for one building, at specified location.

MARK DISOSWAY
P.E. 53915

Mark Disosway
SEAL

Woodman Park Builders

Evans Residence

ADDRESS:
Tax ID: 6-55-15-00488-115
Columbia County, Florida

Mark Disosway P.E.
P.O. Box 868
Lake City, Florida 32056
Phone: 386) 754 - 5419
Fax: (386) 269 - 4871

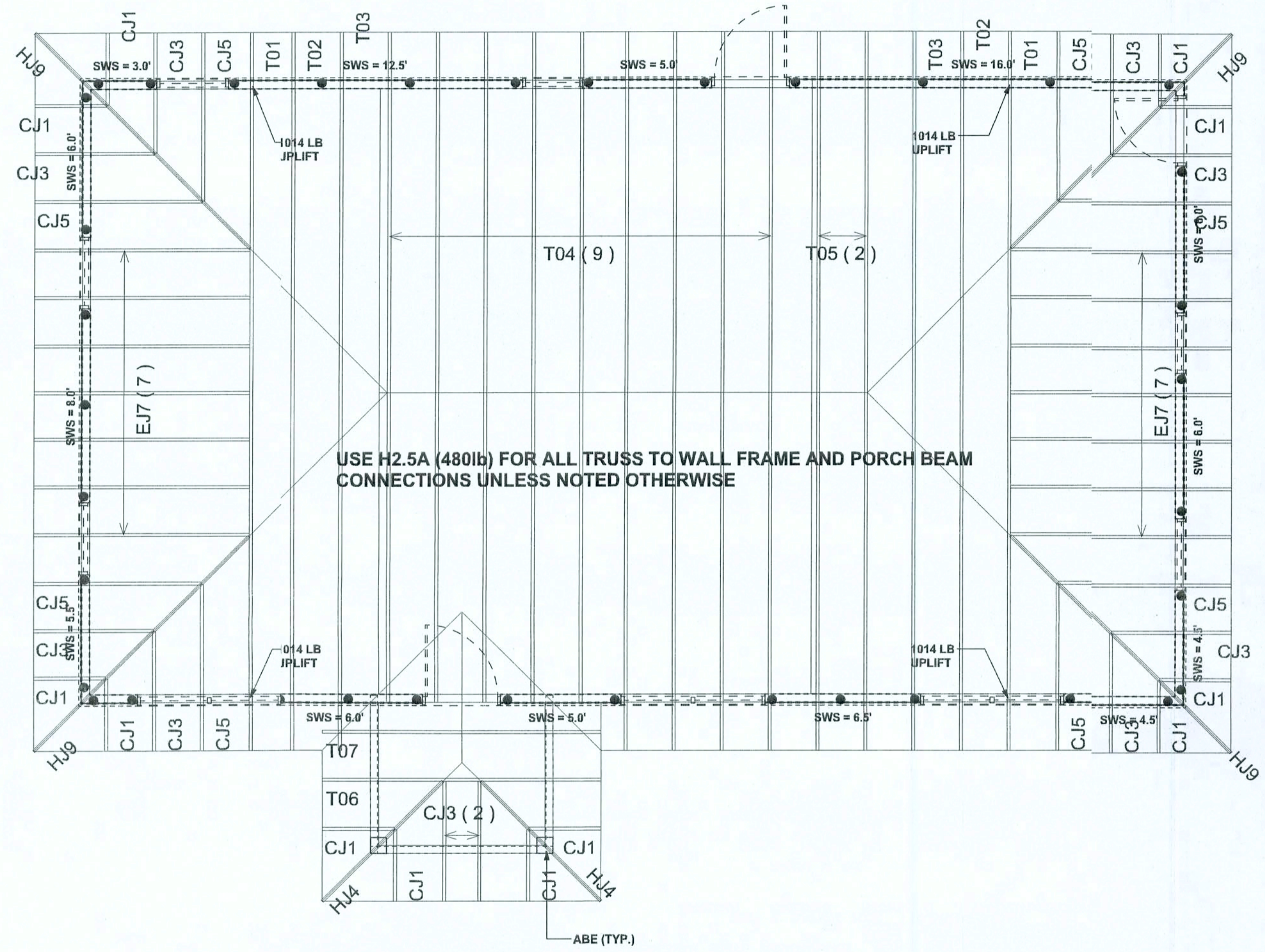
PRINTED DATE:
June 01, 2006

DRAWN BY: STRUCTURAL BY:
David Disosway

FINALS DATE:
29 / May / 06

JOB NUMBER:
305208
DRAWING NUMBER:
S-2
OF 3 SHEETS

REVISIONS	



USE H2.5A (480lb) FOR ALL TRUSS TO WALL FRAME AND PORCH BEAM CONNECTIONS UNLESS NOTED OTHERWISE

STRUCTURAL PLAN
SCALE: 1/4" = 1'-0"

STRUCTURAL PLAN NOTES

- SN-1 ALL LOAD BEARING FRAME WALL & PORCH HEADERS SHALL BE A MINIMUM OF (2) 2X12 SYP#2 (U.N.O.)
- SN-2 ALL LOAD BEARING FRAME WALL HEADERS SHALL HAVE (1) JACK STUD & (1) KING STUD EACH SIDE (U.N.O.)
- SN-3 DIMENSIONS ON STRUCTURAL SHEETS ARE NOT EXACT. REFER TO ARCHITECTURAL FLOOR PLAN FOR ACTUAL DIMENSIONS
- SN-4 PERMANENT TRUSS BRACING IS TO BE INSTALLED AT LOCATIONS AS SHOWN ON THE SEALED TRUSS DRAWINGS. LATERAL BRACING IS TO BE RESTRAINED PER BCSI-03. BCSI-B1, BCSI-B2, & BCSI-B3. BCSI-B1, BCSI-B2, & BCSI-B3 ARE FURNISHED BY THE TRUSS SUPPLIER, WITH THE SEALED TRUSS PACKAGE

WALL LEGEND

SWS = 0.0'	1ST FLOOR EXTERIOR WALL
SWS = 0.0'	2ND FLOOR EXTERIOR
IBW	1ST FLOOR INTERIOR BEARING WALLS SEE DETAILS ON SHEET S-1
IBW	2ND FLOOR INTERIOR BEARING WALLS SEE DETAILS ON SHEET S-1

THREADED ROD LEGEND

- INDICATES LOCATION OF:
1ST FLOOR 1/2" A307 ALL THREADED ROD
- ⊙ INDICATES LOCATION OF:
2ND FLOOR 1/2" A307 ALL THREADED ROD

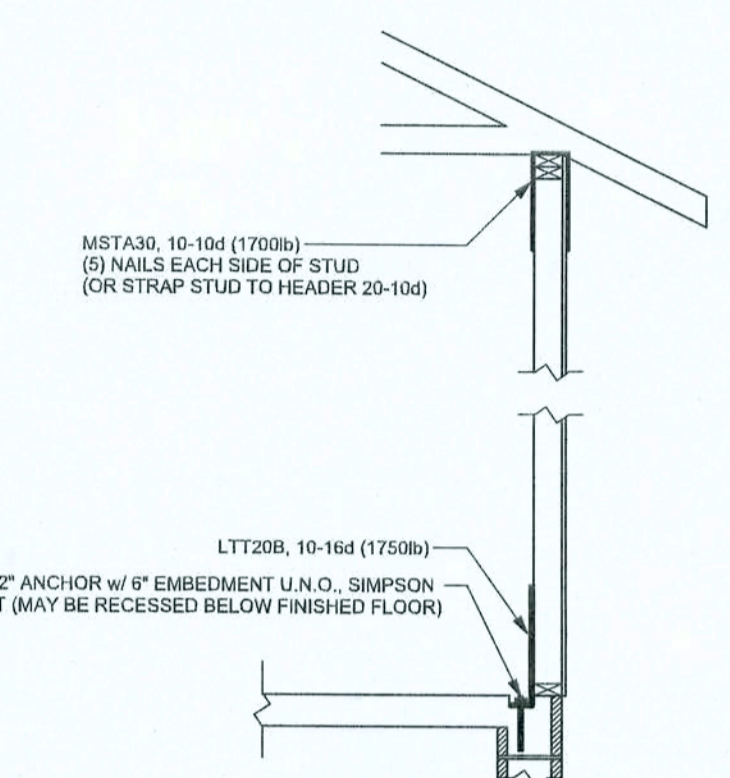
HEADER LEGEND

- (2) 2X12X0'1J 1K → HEADER/BEAM CALL-OUT (U.N.O.)
- ↑ → NUMBER OF KING STUDS (FULL LENGTH)
- ↑ → NUMBER OF JACK STUDS (UNDER HEADER)
- ↑ → SPAN OF HEADER
- ↑ → SIZE OF HEADER MATERIAL
- ↑ → NUMBER OF PLYS IN HEADER

TOTAL SHEAR WALL SEGMENTS

SWS = 0.0' INDICATES SHEAR WALL SEGMENTS

	REQUIRED	ACTUAL
TRANSVERSE	28.6'	36.0'
LONGITUDINAL	25.3'	58.5'



ALTERNATE WALL TIE CONNECTION WHERE
THREADED ROD CANNOT BE PLACED IN WALL
SCALE: 1/2" = 1'-0"

WINDLOAD ENGINEER: Mark Disosway, P.E. No. 53915, PCB 868, Lake City, FL 32056, 386-754-5419

DIMENSIONS: Stated dimensions supersede scaled dimensions. Refer all questions to Mark Disosway, P.E. for resolution. Do not proceed without clarification.

COPYRIGHTS AND PROPERTY RIGHTS: Mark Disosway, P.E. heretofore expressly reserves his common law copyright and property rights in these instruments of service. This document is not to be reproduced, altered or copied in any form or manner without first an express written permission and consent of Mark Disosway.

CERTIFICATION: I hereby certify that I have executed this plan, and the applicable portions of the plan, relating to wind engineering comply with section 1301.2, Florida building code residential 2004, to the best of my knowledge.

LIMITATION: This design is valid for one building, at specified location.

MARK DISOSWAY
P.E. 53915

SEAL

Woodman Park Builders

Evans Residence

ADDRESS:
Tax ID: 36-55-15-0488-115
Columbia County, Florida

Mark Disosway P.E.
P.O. Box 868
Lake City, Florida 32056
Phone: (386) 754 - 5419
Fax: (386) 269 - 4871

PRINTED DATE:
June 01, 2006

DRAWN BY: Javid Disosway
STRUCTURAL BY: Javid Disosway

FINALS DATE:
29 / May / 06

JOB NUMBER:
605208

DRAWING NUMBER
S-3

OF 3 SHEETS

CONNECTIONS, WALL, & HEADER DESIGN IS BASED ON REACTIONS & UPLIFTS FROM TRUSS ENGINEERING FURNISHED BY BUILDER. BUILDERS FIRST SOURCE JOB #L165663