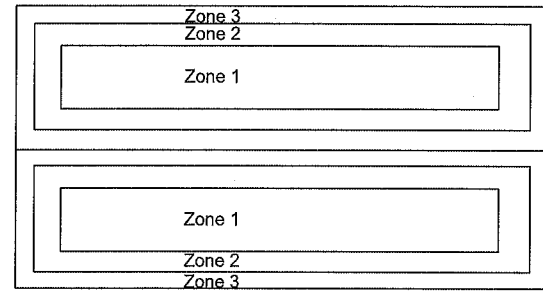


WIND PRESSURE ON COMPONENTS AND CLADDING



Zone 1 +/- 16.62
 Zone 2 +/- 25.51
 Zone 3 +/- 36.27

PROFESSIONAL SERVICES BY
 DRISCOLL ENGINEERING, INC.
 PO BOX 357577
 GAINESVILLE, FL 32635
 PH (352)-331-1513
 CA 8690

PLANS AND SPECIFICATIONS

The plans and specifications presented herein are applicable only for the anticipated construction at the locations shown. If construction plans change, the Design Professional should be notified so the plans and specifications can be re-evaluated. The Design Professional should be given the opportunity to review final plans and specifications to see if the intent of the plans and specifications has been followed and/or if supplemental details and recommendations are needed. The Design Professional warrants that the plans and specifications contained herein, have been prepared in accordance with generally accepted professional engineering practice. No other warranties are implied or expressed.

CORPORATE PROTECTION

It is understood and agreed that the Design Professional's Basic Services under this Agreement do not include project observation or review of the Contractor's performance on any other construction phase services, and that such services will be provided by the Client. The Client assumes all responsibility for interpretation of the contractor Documents and for construction observation and supervision and waives any claims against the Design Professional that may be in any way connected thereto.

In addition, the Client agrees, to the fullest extent permitted by law, to indemnify and hold the Design Professional harmless from any loss, claim or cost, including reasonable attorney's fees and costs of defense, arising or resulting from the performance of such services by other person or entities and from any and all claims arising from modifications, clarifications, interpretations, adjustments or changes made to Contract Documents to reflect changed field or other conditions, except for claims arising from the sole negligence or willful misconduct to the Design Professional.

OWNERSHIP OF INSTRUMENTS OF SERVICE

All reports, plans, specifications, computer files, field data, notes and other documents and instruments prepared by the Design Professional as instruments of service shall remain the property of the Design Professional. The Design Professional shall retain all common law, statutory and other reserved rights, including the copyright thereto.

DEFECTS IN SERVICE

The Client shall promptly report to the Design Professional any defects or suspected defects in the Design Professional's work or services of which the Client becomes aware, so that the Design Professional may take measures to minimize the consequences of such a defect. The Client warrants that he or she will impose a similar notification requirement on all contractors in his or her Client/Contractor contract and shall require all subcontractors at any level to contain a like requirement. Failure by the Client, and the Client's contractors or subcontractors to notify the Design Professional, shall relieve the Design Professional of the costs of remedying the defects above the sum such remedy would have cost had prompt notification been given.

VERIFICATION OF EXISTING CONDITIONS

Inasmuch as the remodeling and/or rehabilitation of an existing building requires that certain assumptions be made regarding existing conditions, and because some of these assumptions may not be verifiable without expending additional sums of money or destroying otherwise adequate or serviceable portions of the building, the Client agrees, to the fullest extent permitted by law, to indemnify and hold the Design Professional harmless from any claim, liability or cost (including reasonable attorney's fees and costs of defense) for injury or economic loss arising or allegedly arising out of the professional services provided under this Agreement, excepting only those damages, liabilities, or costs attributable to the sole negligence or willful misconduct of the Design Professional

1-All construction shall comply with Florida Building Code 6th edition 2017.

ULTIMATE WIND SPEED: 130
 NOMINAL WIND SPEED: 101
 WIND EXPOSURE CATEGORY: B
 RISK CATEGORY 1 NON HABITABLE
 INTERNAL PRESSURE COEFFICIENT G_{cp}= +/- 0.0
 DESIGN PRESSURE PER FBC CHAPTER 16, INCLUDING ASCE 7-16 LOAD CALCULATIONS
 ROOF LIVE LOAD =12.5 PSF
 ROOF DEAD LOAD = 2.5 PSF
 MIN SOIL BEARING 2500 PSF
 TRUSS BEARING LOAD EACH END 5200LB
 TRUSS UPLIFT @ POST 3400LBS

1. Wood framing and fasteners to meet NDS-2012 requirements.
2. Fastener requirements: (1) All nails are Common galvanized; (2) all bolts are to be galvanized steel and include nuts and washers; and (3) all other hardware (Simpson, etc.) is to be installed according to manufacturer's specifications and recommendations. Nailing (size and number) shall satisfy Tables 2306.2.(1), 2306.3.(1) and 2306.3.(#) FBC unless otherwise indicated. Note: fasteners exposed to the weather are to be treated for weather resistance and compatible with the type of pressure treated wood used (connectors, nails, bolts, nuts and washers).

Concrete Construction Notes

1. Concrete work shall conform to "Building Code Requirements for Reinforced Concrete" (ACI-318) and "Specifications for Structural Concrete" (ACI-301), Latest Edition.
2. Concrete mix shall conform to the following specifications. All concrete mixes shall contain a water-reducing admixture conforming to ASTM C-494. Air-entraining admixture shall conform to ASTM C-260.

CONCRETE MIX A

Ultimate Compressive Strength @ 28 days	3,000 PSI
Slump Range	4" +/- 1"
Maximum Aggregate Size	1"
Entrained Air	None
Dry Weight per Cubic Foot	150 #

3. Shotcrete mix
- 4 All concrete shall be cured for a minimum of 28 days. If forms for vertical surfaces are removed prior to the end of the curing period, spray surfaces with liquid membrane curing compound.
5. Reinforcing steel shall conform to ASTM A615, Grade 40 (F_y=40 ksi). Lap continuous bars for tension lap splice per ACI-318, unless otherwise noted. Provide corner bars of same size and spacing as horizontal wall reinforcement. Cover for concrete reinforcing steel shall be in accordance with ACI-318, Paragraph 7.7.
6. Welded wire fabric (WWF) shall conform to ASTM A185. Lap sheets two mesh spaces and wire tie adjacent sheets together securely. Cut alternate reinforcement at control joints.
7. All slabs on grade shall have construction or control joints not to exceed 15' - 0" spacing, unless otherwise noted.
8. Electrical conduit and other pipes to be embedded in structural concrete floor slabs or walls shall be placed in accordance with the requirements of ACI-318, Paragraph 6.3.



Digitally signed by Michael E. Driscoll PE
 DN: c=US, st=Florida, l=Gainesville, o=Driscoll Engineering, Inc., cn=Michael E. Driscoll PE,
 email=med@driscollengineering.com
 Date: 2020.07.06 10:46:45 -04'00'

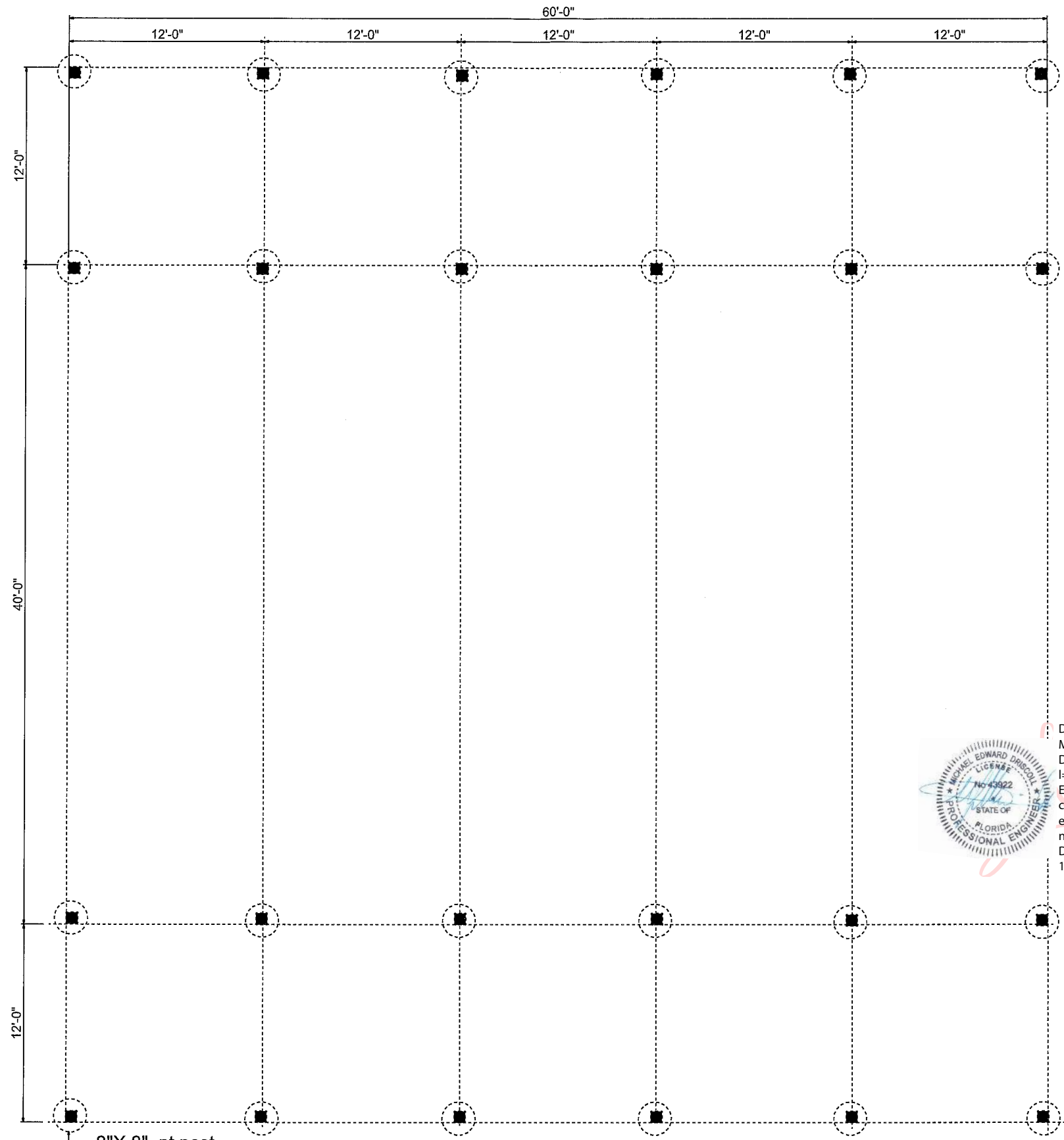
54' x 48' OPEN POLE STORAGE STRUCTURE

7-1-20
 Michael E Driscoll PE
 FL Reg # 43922

DRISCOLL ENGINEERING, INC.
 CONSULTING ENGINEERS
 PO BOX 357577
 GAINESVILLE, FL 32635
 PH (352) 331-1513
 CA 8690

SMITH
 5809 NW LAKE JEFFERY RD
 LAKE CITY, FL. DB20-242-ABT

1




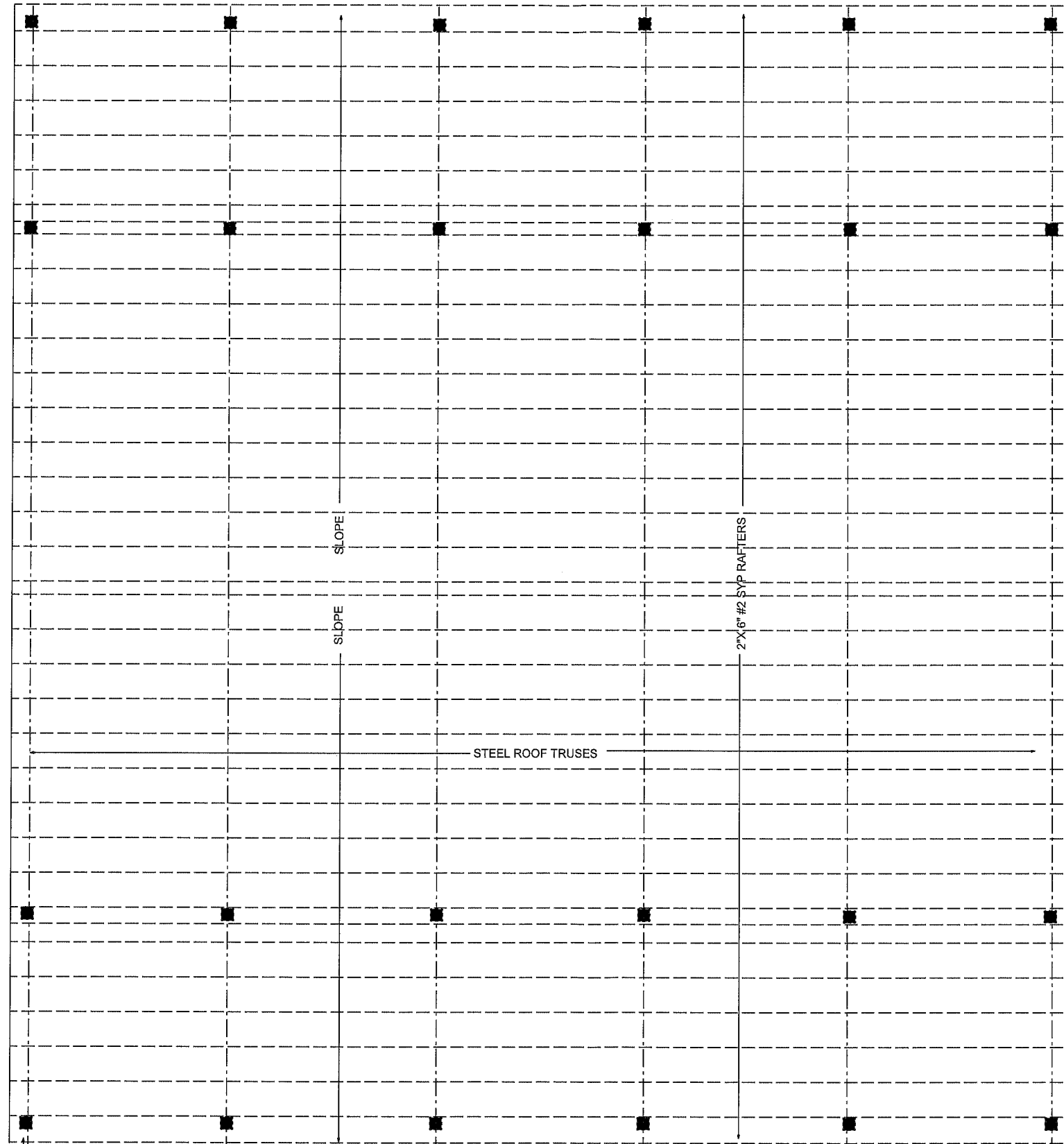
8"X 8". pt post
 24" dia. x 48" deep
 post footing (typ)

FOUNDATION PLAN VIEW
 3/16" = 1'-0"



Digitally signed by
 Michael E. Driscoll PE
 DN: c=US, st=Florida,
 l=Gainesville, o=Driscoll
 Engineering, Inc.,
 cn=Michael E. Driscoll PE,
 email=med@driscollengi
 neering.com
 Date: 2020.07.06
 10:47:19 -04'00'

SHEET: 2	SMITH 5809 NW LAKE JEFFERY RD LAKE CITY, FL. DB20-242-ABT	 DRISCOLL ENGINEERING, INC. CONSULTING ENGINEERS <small>PO BOX 48787 GAINESVILLE, FL 32606</small>
--------------------	--	--



8"X 8". pt post
24" dia. x 48" deep
post footing (typ)

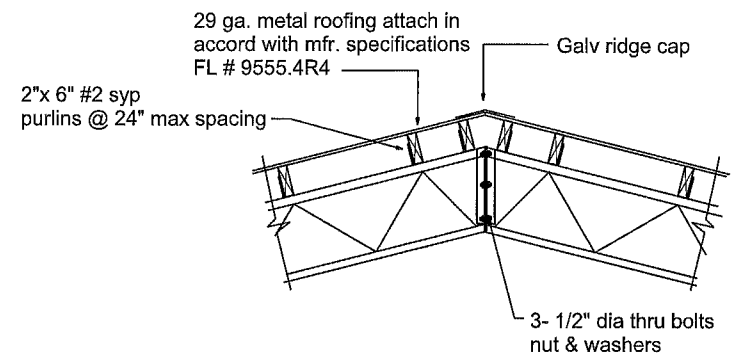
ROOF PLAN VIEW

SHEET: 3
SMITH 5809 NW LAKE JEFFERY RD LAKE CITY, FL. DB20-242-ABT
DRISCOLL ENGINEERING, INC. CONSULTING ENGINEERS <small>PO BOX 387677 GAINESVILLE, FL 32608 PH (352) 331-1515 CA 8669 FX (352) 595-3386</small>

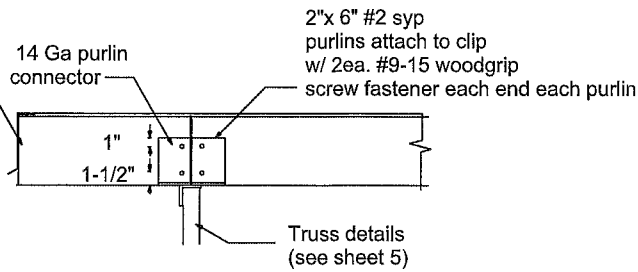


Digitally signed by Michael E. Driscoll PE
 DN: c=US, st=Florida, ou=Gainesville, o=Driscoll Engineering, Inc., cn=Michael E. Driscoll PE,
 email=med@driscollengineering.com
 Date: 2020.07.06 10:47:55 -0400

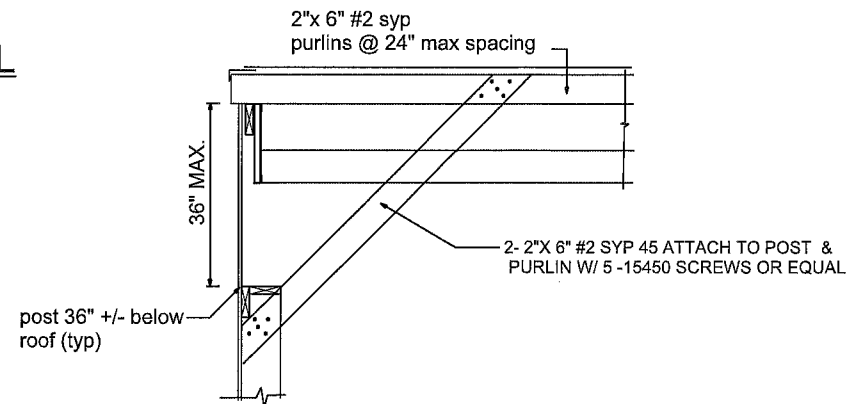
7-1-ZU
 Michael E Driscoll PE
 FL Reg # 43922



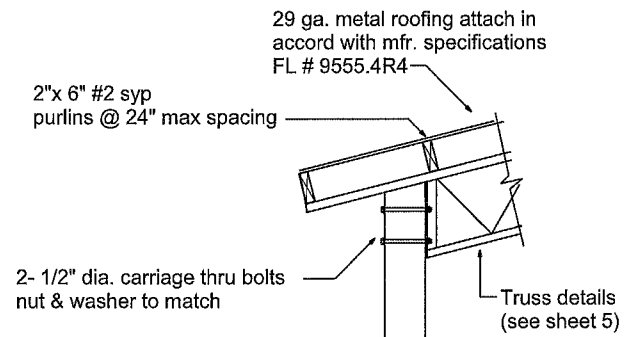
RIDGE CONNECTION DETAIL



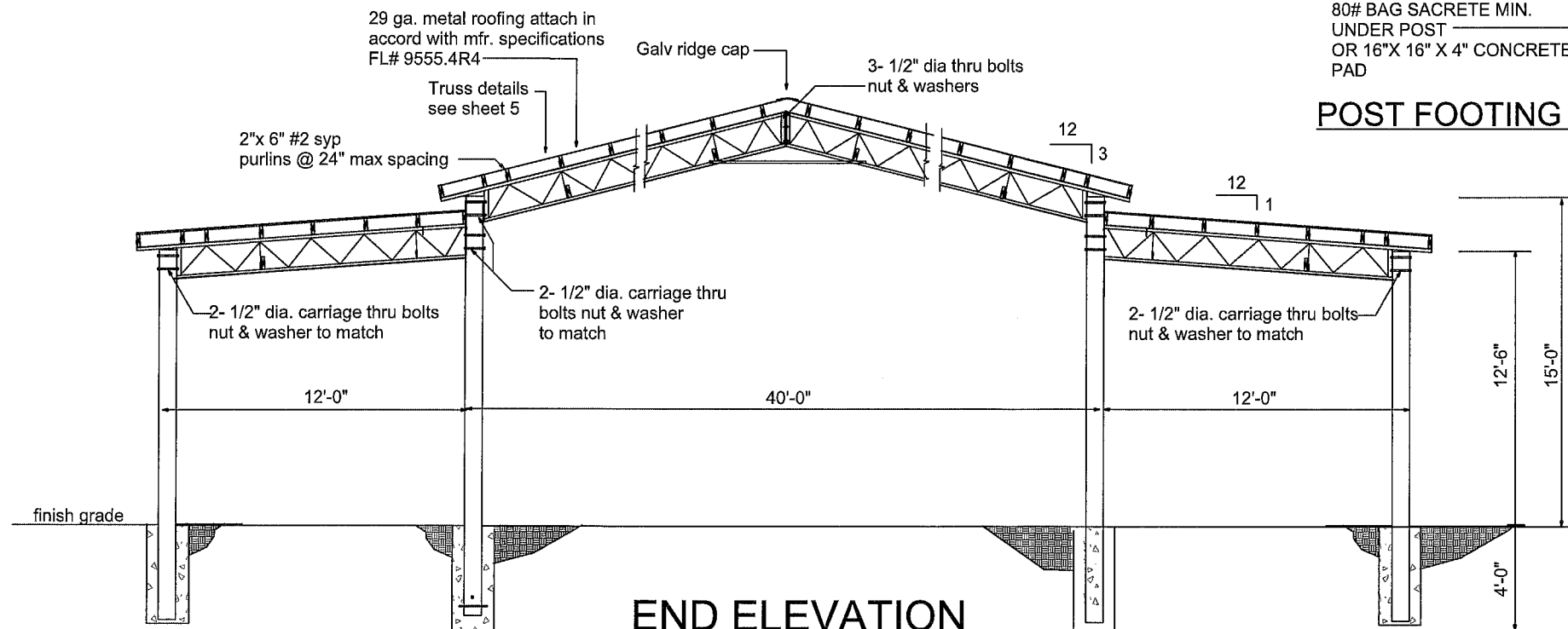
PURLIN CONNECTION DETAIL



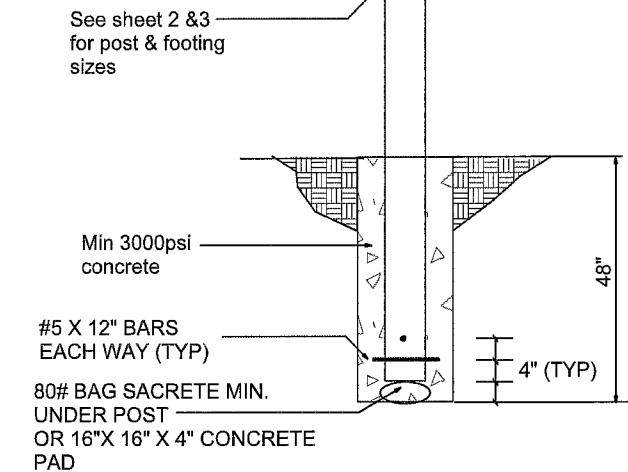
CENTER POST DETAIL



POST FOOTING TO TRUSS DETAIL
NTS



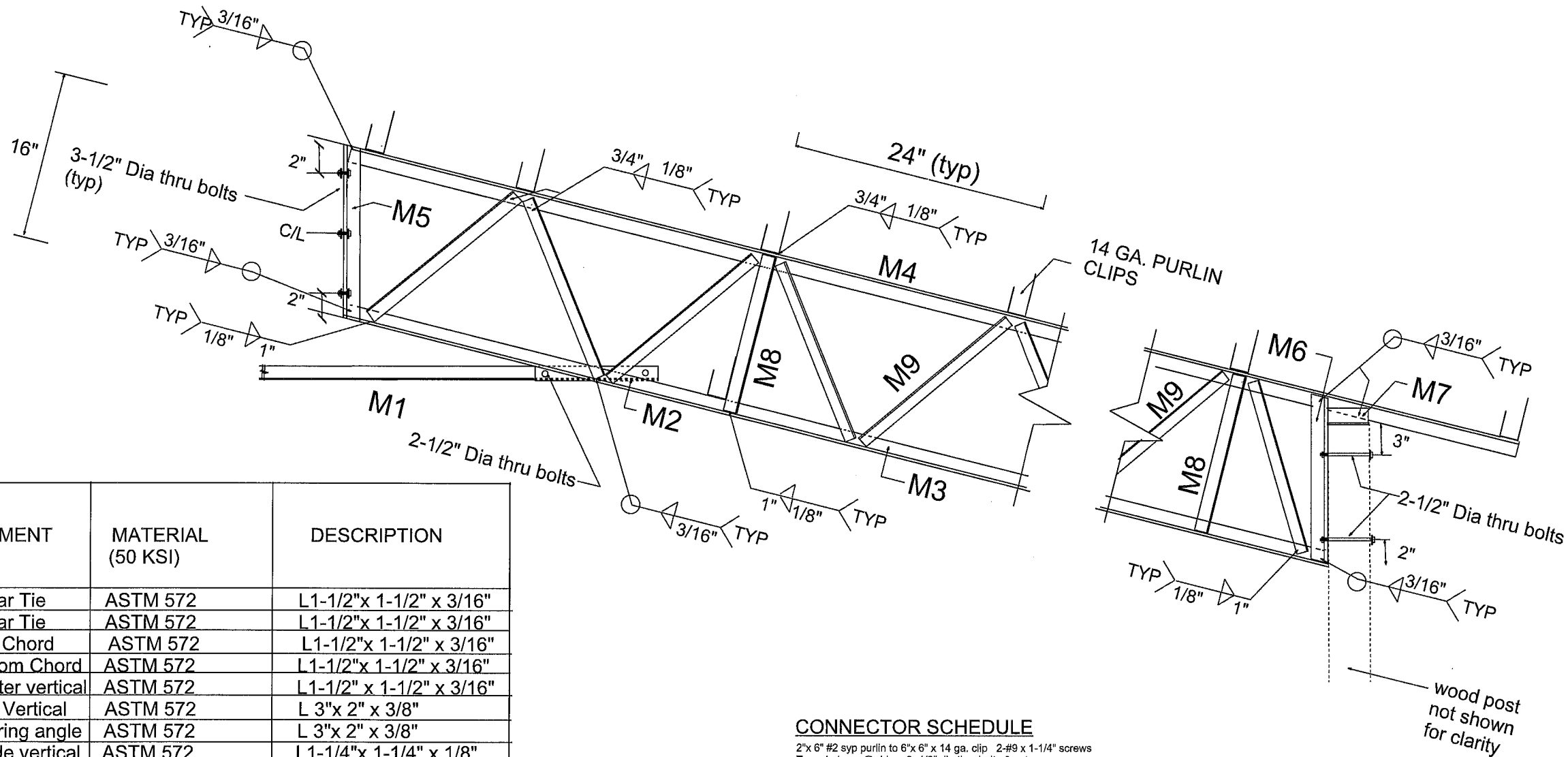
END ELEVATION
nts



Digitally signed by
Michael E. Driscoll PE
DN: c=US, st=Florida,
l=Gainesville,
o=Driscoll
Engineering, Inc.,
cn=Michael E.
Driscoll PE,
email=med@driscoll
engineering.com
Date: 2020.07.06
10:48:17 -04'00'



7-1-20
Michael E Driscoll PE
FL Reg # 43922



No.	ELEMENT	MATERIAL (50 KSI)	DESCRIPTION
M1	Collar Tie	ASTM 572	L1-1/2"x 1-1/2" x 3/16"
M2	Collar Tie	ASTM 572	L1-1/2"x 1-1/2" x 3/16"
M3	Top Chord	ASTM 572	L1-1/2"x 1-1/2" x 3/16"
M4	Bottom Chord	ASTM 572	L1-1/2"x 1-1/2" x 3/16"
M5	Center vertical	ASTM 572	L1-1/2" x 1-1/2" x 3/16"
M6	End Vertical	ASTM 572	L 3"x 2" x 3/8"
M7	Bearing angle	ASTM 572	L 3"x 2" x 3/8"
M8	Inside vertical	ASTM 572	L1-1/4"x 1-1/4" x 1/8"
M9	Diagonal web	ASTM 572	L1-1/4"x 1-1/4" x 1/8"

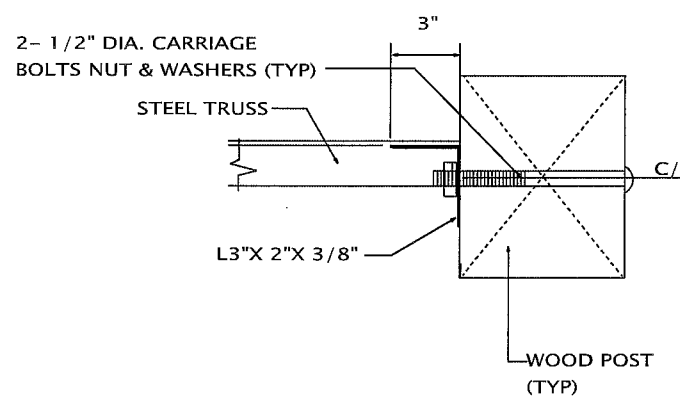
STEEL TRUSS CROSS SECTION

CONNECTOR SCHEDULE

2"x 6" #2 syp purlin to 6"x 6" x 14 ga. clip 2-#9 x 1-1/4" screws
 Truss to truss @ ridge 3- 1/2" dia thru bolts & nut
 Wood post to truss- 2 1/2" dia thru bolts nut & washers
 Post to concrete 18" dia x 48" deep w/ 2 #5 bars thru post

NOTES:

- 1-MATERIALS SHALL CONFORM TO STEEL ASTM 572.
- 2- ALL STEEL SHALL BE 50ksi IN ACCORD WITH CURRENT AISC MANUAL.
- 3- WELDING ELECTRODES TYPE E70XX
- 4- ALL WELDING SHALL BE IN ACCORD WITH CURRENT AWS REQUIREMENTS.
- 5-ALL WELDING SHALL BE DONE BY A CERTIFIED WELDER.
- 6-BOLTS SHALL BE ASTM A325. w/ NUTS & WASHERS. (TYP)
- 7- WELD STRENGTH 70 KSI MIN.
- 8- ALL POSTS SHALL BE #2 DENSE PRESSURE TREATED GROUND CONTACT.
- 9- PRIMING & PAINTING SHALL BE DONE BY TRUSS MANUFACTURER.
- 10- MIN EDGE DISTANCE FOR BOLT HOLES SHALL BE 3/4" MIN
- 11-MAX TRUSS SPACING SHALL NOT EXCEED 12'-0" UNO.
- 12-THE DESIGNER DISCLAMS ANY RESPONSIBILITY FOR DAMAGES AS A RESULT OF POOR WORKMANSHIP, OR IMPROPER USE, AND ACCEPTS NO RESPONSIBILTY OR EXERCISES NO CONTROL WITH REGARD TO FABRICATION, HANDLING,AND INSTALLATION OF TRUSSES.



TRUSS TO POST DETAIL PLAN VIEW



Digitally signed by Michael E. Driscoll PE
 DN: c=US, st=Florida, l=Gainesville, o=Driscoll Engineering, Inc., cn=Michael E. Driscoll PE,
 email=med@driscollengineering.com
 Date: 2020.07.06 10:48:35 -04'00'

TRUSS DETAILS

7-1-20
 Michael E Driscoll PE
 FL Reg # 43922

SMITH
 5809 NW LAKE JEFFERY RD
 LAKE CITY, FL. DB20-242-ABT

DRISCOLL ENGINEERING, INC.
 CONSULTING ENGINEERS
 PO BOX 357577
 GAINESVILLE, FL. 32606
 PH (352) 331-1513 CA 8690
 FX (352) 505-3366