



[BCIS Home](#) | [Log In](#) | [User Registration](#) | [Hot Topics](#) | [Submit Surcharge](#) | [Stats & Facts](#) | [Publications](#) | [Contact Us](#) | [BCIS Site Map](#) | [Links](#) | [Search](#)



**Product Approval**  
USER: Public User

[Product Approval Menu](#) > [Product or Application Search](#) > [Application List](#) > **Application Detail**



<b>FL #</b>	FL27970-R4										
<b>Application Type</b>	Affirmation										
<b>Code Version</b>	2023										
<b>Application Status</b>	Approved										
<b>Comments</b>											
Archived											
<b>Product Manufacturer</b>	Andersen Corporation										
<b>Address/Phone/Email</b>	100 Fourth Avenue North Bayport, MN 55003 (651) 264-5308 alan.barstad@AndersenCorp.com										
<b>Authorized Signature</b>	Alan Barstad alan.barstad@AndersenCorp.com										
<b>Technical Representative</b>											
<b>Address/Phone/Email</b>											
<b>Quality Assurance Representative</b>	Alan Barstad										
<b>Address/Phone/Email</b>	100 Fourth Avenue North Bayport, MN 55003 (651) 264-5308 abarstad@andersencorp.com										
<b>Category</b>	Windows										
<b>Subcategory</b>	Double Hung										
<b>Compliance Method</b>	Evaluation Report from a Florida Registered Architect or a Licensed Florida Professional Engineer : Evaluation Report - Hardcopy Received										
<b>Florida Engineer or Architect Name who developed the Evaluation Report</b>	Hermes F. Norero, P.E.										
<b>Florida License</b>	PE-73778										
<b>Quality Assurance Entity</b>	Window and Door Manufacturers Association-QA										
<b>Quality Assurance Contract Expiration Date</b>	12/16/2030										
<b>Validated By</b>	Zachary R. Priest, P.E. Validation Checklist - Hardcopy Received										
<b>Certificate of Independence</b>	<a href="#">FL27970_R4_COI_COI Andersen SS 2015-08-31.pdf</a>										
<b>Referenced Standard and Year (of Standard)</b>	<table border="0"> <thead> <tr> <th><u>Standard</u></th> <th><u>Year</u></th> </tr> </thead> <tbody> <tr> <td>AAMA/WDMA/CSA 101/I.S.2/A440</td> <td>2011</td> </tr> <tr> <td>TAS 201</td> <td>1994</td> </tr> <tr> <td>TAS 202</td> <td>1994</td> </tr> <tr> <td>TAS 203</td> <td>1994</td> </tr> </tbody> </table>	<u>Standard</u>	<u>Year</u>	AAMA/WDMA/CSA 101/I.S.2/A440	2011	TAS 201	1994	TAS 202	1994	TAS 203	1994
<u>Standard</u>	<u>Year</u>										
AAMA/WDMA/CSA 101/I.S.2/A440	2011										
TAS 201	1994										
TAS 202	1994										
TAS 203	1994										
<b>Equivalence of Product Standards Certified By</b>											

Sections from the Code

I affirm that there are no changes in the new Florida Building Code which affect my product(s) and my product(s) are in compliance with the new Florida Building Code.

Documentation from approved Evaluation or Validation Entity Yes No N/A

[FL27970 R4 COC SA27970 SS 2023-06-19.pdf](#)

Product Approval Method Method 1 Option D

Date Submitted 08/08/2023

Date Validated 08/08/2023

Date Pending FBC Approval

Date Approved 08/09/2023

**Summary of Products**

FL #	Model, Number or Name	Description
27970.1	Renewal by Andersen DG Series Double Hung Window (Non-Impact) (Non-HVHZ)	Renewal by Andersen DG Series Double Hung Window (Non-Impact) (Non-HVHZ)
<b>Limits of Use</b> Approved for use in HVHZ: No Approved for use outside HVHZ: Yes Impact Resistant: No Design Pressure: N/A Other: See Installation Instructions and Product Evaluation Report for allowable design pressures, sizes, installation requirements and limits of use.		<b>Installation Instructions</b> <a href="#">FL27970 R4 II AWD234 SS 2018-12-16.pdf</a> Verified By: Hermes F. Norero, P.E. Florida P.E. 73778 Created by Independent Third Party: Yes <b>Evaluation Reports</b> <a href="#">FL27970 R4 AE PER5531 SS 2018-08-17.pdf</a> Created by Independent Third Party: Yes
27970.2	Renewal by Andersen Double Hung Window (HVHZ) (Impact)	Renewal by Andersen Double Hung Window (HVHZ) (Impact)
<b>Limits of Use</b> Approved for use in HVHZ: Yes Approved for use outside HVHZ: Yes Impact Resistant: Yes Design Pressure: N/A Other: See Installation Instructions and Product Evaluation Report for allowable design pressures, sizes, installation requirements and limits of use.		<b>Installation Instructions</b> <a href="#">FL27970 R4 II AWD291 SS 2021-06-15.pdf</a> Verified By: Hermes F. Norero, P.E. Florida P.E. 73778 Created by Independent Third Party: Yes <b>Evaluation Reports</b> <a href="#">FL27970 R4 AE PER7620 SS 2021-06-15.pdf</a> Created by Independent Third Party: Yes



Contact Us :: [2601 Blair Stone Road, Tallahassee FL 32399 Phone: 850-487-1824](#)

The State of Florida is an AA/EEO employer. [Copyright 2007-2013 State of Florida](#). :: [Privacy Statement](#) :: [Accessibility Statement](#) :: [Refund Statement](#)

Under Florida law, email addresses are public records. If you do not want your e-mail address released in response to a public-records request, do not send electronic mail to this entity. Instead, contact the office by phone or by traditional mail. If you have any questions, please contact 850.487.1395. \*Pursuant to Section 455.275(1), Florida Statutes, effective October 1, 2012, licensees licensed under Chapter 455, F.S., must provide the Department with an email address if they have one. The emails provided may be used for official communication with the licensee. However email addresses are public record. If you do not wish to supply a personal address, please provide the Department with an email address which can be made available to the public. To determine if you are a licensee under Chapter 455, F.S., please click [here](#).



Credit Card  
**Safe**



# ANDERSEN CORPORATION

## RENEWAL BY ANDERSEN DG SERIES DOUBLE HUNG WINDOW (NON-IMPACT) (NON-HVHZ)



405 EAST WASHINGTON AVENUE  
ANN ARBOR, MI 48106  
PH: (313) 963-1000 FAX: (313) 963-1001  
WWW.ANDERSEN-CORPORATION.COM

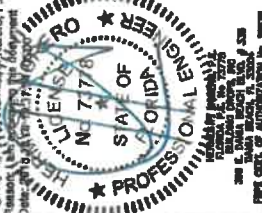
PREPARED BY: BUILDING DROPS, INC.  
326 S. OLIVE BEACH BLVD., STE. 326  
DEER BEACH, FL 33442  
786.952.4428  
WWW.BUILDINGDROPS.COM



GENERAL NOTES & GLAZING DETAIL  
TITLE: DG SERIES DOUBLE HUNG WINDOW (NON-IMPACT)(NON-HVHZ)

REVISIONS  
BY DATE  
HR 11-26-11

THIS WINDOW IS DESIGNED TO BE INSTALLED IN ACCORDANCE WITH THE CURRENT EDITION OF THE FLORIDA BUILDING CODE (FBC), EXCLUDING HVHZ AND HAS BEEN EVALUATED ACCORDING TO THE FOLLOWING:  
• A4064W WINDOW/CSK 1017/LS-27/4406-08/11



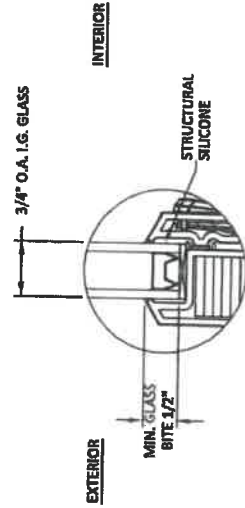
FL #: FL27970

DATE: 02-22-18  
DWG. BY: RV  
CHK. BY: HFN  
SCALE: NTS  
DWG. #: AWD234  
SHEET: 1

SHEET	REVISION	SHEET DESCRIPTION
1	A	INSTALLATION AND GENERAL NOTES
2	-	ELEVATIONS & ANCHOR LAYOUTS
3	-	ELEVATIONS & ANCHOR LAYOUTS
4	-	VERTICAL SECTIONS
5	-	VERTICAL SECTIONS
6	-	HORIZONTAL SECTIONS
7	-	INSTALLATION NOTES, REINFORCEMENT & ANCHOR DETAILS

SILL TYPE	MAX OVERALL SIZE			MAX D.L.O. SIZE			DESIGN PRESSURE	RATIO	CONFR.	MISSILE IMPACT RATING
	WIDTH	HEIGHT	DEPTH	UPPER SASH	LOWER SASH	DEPTH				
FLAT OR SLOPE	32.0	76.0	25-15/16	33-3/8	33-3/8	33-3/8	+/-40	1:1	X/X	NON-IMPACT
	40.0	76.0	33-15-16	33-3/8	33-3/8	+/-40				
	48.0	76.0	41-15/16	33-3/8	33-3/8	+/-40				
	54.0	72.0	47-15/16	31-3/8	31-3/8	+/-30				
FLAT OR SLOPE	48.0	96.0	43-15/16	43-3/8	43-3/8	+/-40	3:1	X/X	NON-IMPACT	
	48.0	96.0	41-15/16	65-1/16	21-11/16	+/-40				
	40.0	76.0	33-15/16	50-1/16	16-11/16	+/-40				
	54.0	72.0	47-15/16	47-1/16	15-11/16	+/-40				

SILL TYPE	MAX OVERALL SIZE			MAX D.L.O. SIZE			DESIGN PRESSURE	RATIO	CONFR.	MISSILE IMPACT RATING
	WIDTH	HEIGHT	DEPTH	UPPER SASH	LOWER SASH	DEPTH				
FLAT OR SLOPE	30.0	66.0	23-15/16	29-3/8	29-3/8	29-3/8	+60/-65	1:1	X/X	NON-IMPACT
	36.0	66.0	29-15/16	29-3/4	29-3/4	+60/-65				
FLAT	40.0	72.0	33-15/16	33-3/8	33-3/8	33-3/8	+60/-65	1:1	X/X	NON-IMPACT
	40.0	75.3	33-15/16	33-2/5	33-2/5	+60/-65				
FLAT	36.0	62.0	29-15/16	26-3/8	26-3/8	26-3/8	+60/-65	1:1	X/X	NON-IMPACT
	36.0	61.3	29-15/16	26-2/5	26-2/5	+60/-65				



GLAZING DETAIL 1

**NOTE:**  
 1. GLASS TYPE THICKNESS SHALL COMPLY WITH ASTM E-1300 GLASS CHART REQUIREMENTS.  
 2. ALL GLAZING CONFIGURATIONS SHALL COMPLY WITH SAFETY GLAZING REQUIREMENTS OUTLINED IN CURRENT FBC.  
 3. SETTING BLOCK SHOULD BE 70-90 DUROMETER AS PER CH 24 OF THE CURRENT FBC.  
 4. GLASS LITES THAT EXCEED 36" IN WIDTH SHALL USE SETTING BLOCKS AT 1/4 SPAN FROM CORNERS.

- GENERAL NOTES:**
- THE PRODUCT SHOWN HEREIN IS DESIGNED AND MANUFACTURED TO COMPLY WITH THE CURRENT EDITION FLORIDA BUILDING CODE (FBC), EXCLUDING HVHZ AND HAS BEEN EVALUATED ACCORDING TO THE FOLLOWING:  
• A4064W WINDOW/CSK 1017/LS-27/4406-08/11
  - ADEQUACY OF THE EXISTING STRUCTURAL CONCRETE/ANCHOR, 2X FRAMING, AND METAL FRAMING AS A VERTICAL FORCE RESISTING SYSTEM CAPABLE OF WITHSTANDING THE UNIFORMLY APPLIED PRODUCT LOADS TO THE FOUNDATION IS THE RESPONSIBILITY OF THE ENGINEER OR ARCHITECT OF RECORD FOR THE PROJECT OF INSTALLATION.
  - 1X AND 2X BUCKS (WHEN USED) SHALL BE DESIGNED AND ANCHORED TO PROPERLY TRANSFER ALL LOADS TO THE STRUCTURE. BUCK DESIGN AND INSTALLATION IS THE RESPONSIBILITY OF THE ENGINEER OR ARCHITECT OF RECORD FOR THE PROJECT OF INSTALLATION.
  - INSTALL INDIVIDUAL INSTALLATION ANCHORS WITHIN A TOLERANCE OF +/- 1/8 INCH OF THE DEPICTED LOCATION IN THE ANCHOR LAYOUT DETAIL (I.E., WITHOUT CONSIDERATION OF TOLERANCES). TOLERANCES ARE NOT CUMULATIVE FROM ONE INSTALLATION ANCHOR TO THE NEXT.
  - THE INSTALLATION DETAILS DESCRIBED HEREIN ARE GENERIC AND MAY NOT REFLECT ACTUAL CONDITIONS FOR A SPECIFIC SITE. IF SITE CONDITIONS CAUSE INSTALLATION TO DEVIATE FROM THE REQUIREMENTS DETAILED HEREIN, A LICENSED ENGINEER OR ARCHITECT SHALL PREPARE SITE SPECIFIC DOCUMENTS FOR USE WITH THIS DOCUMENT IN NON-HVHZ AREAS. IN HVHZ AREAS, ONE TIME PRODUCT APPROVAL TO BE OBTAINED FROM MIAMI-DADE PER OR ADR.
  - APPROVED IMPACT PROTECTIVE SYSTEMS IS REQUIRED ON THIS PRODUCT IN AREAS REQUIRING IMPACT RESISTANCE. WINDOW FRAME MATERIAL FIBREX
  - IN ACCORDANCE WITH THE CURRENT EDITION FBC, WOOD COMPONENTS SHALL HAVE BEEN PRESERVATIVE TREATED OR SHALL BE OF A DURABLE SPECIES AS DEFINED IN CHAPTER 23.





100 COUNTRY CLUB DRIVE  
ANTWERP, NJ 07003-2005  
PH: (609) 264-3350 FAX: (609) 264-8495  
WWW.ANDERSENWINDOWS.COM

PREPARED BY:  
**BUILDING DROPS, INC.**  
380 E. MAINA STREET BLDG. STE. 338  
DUNEL BROOK, NJ 07004  
908-685-9478  
WWW.BUILDINGDROPS.COM

DATE: HR 11.7.63  
BY: [Signature]

REMARKS:

TITLE:  
**DG SERIES DOUBLE HUNG WINDOW ELEVATIONS AND ANCHOR LAYOUTS**



THE STATE BOARD OF PROFESSIONAL ENGINEERS AND SURVEYORS HAS GRANTED THE RIGHT TO PRACTICE PROFESSIONAL ENGINEERING TO THE UNDERSIGNED IN THE STATE OF NEW JERSEY. THE UNDERSIGNED HAS BEEN LICENSED AS A LICENSED PROFESSIONAL ENGINEER IN THE STATE OF NEW JERSEY. THE UNDERSIGNED HAS BEEN LICENSED AS A LICENSED PROFESSIONAL ENGINEER IN THE STATE OF NEW JERSEY.

FL #:

**FL27970**

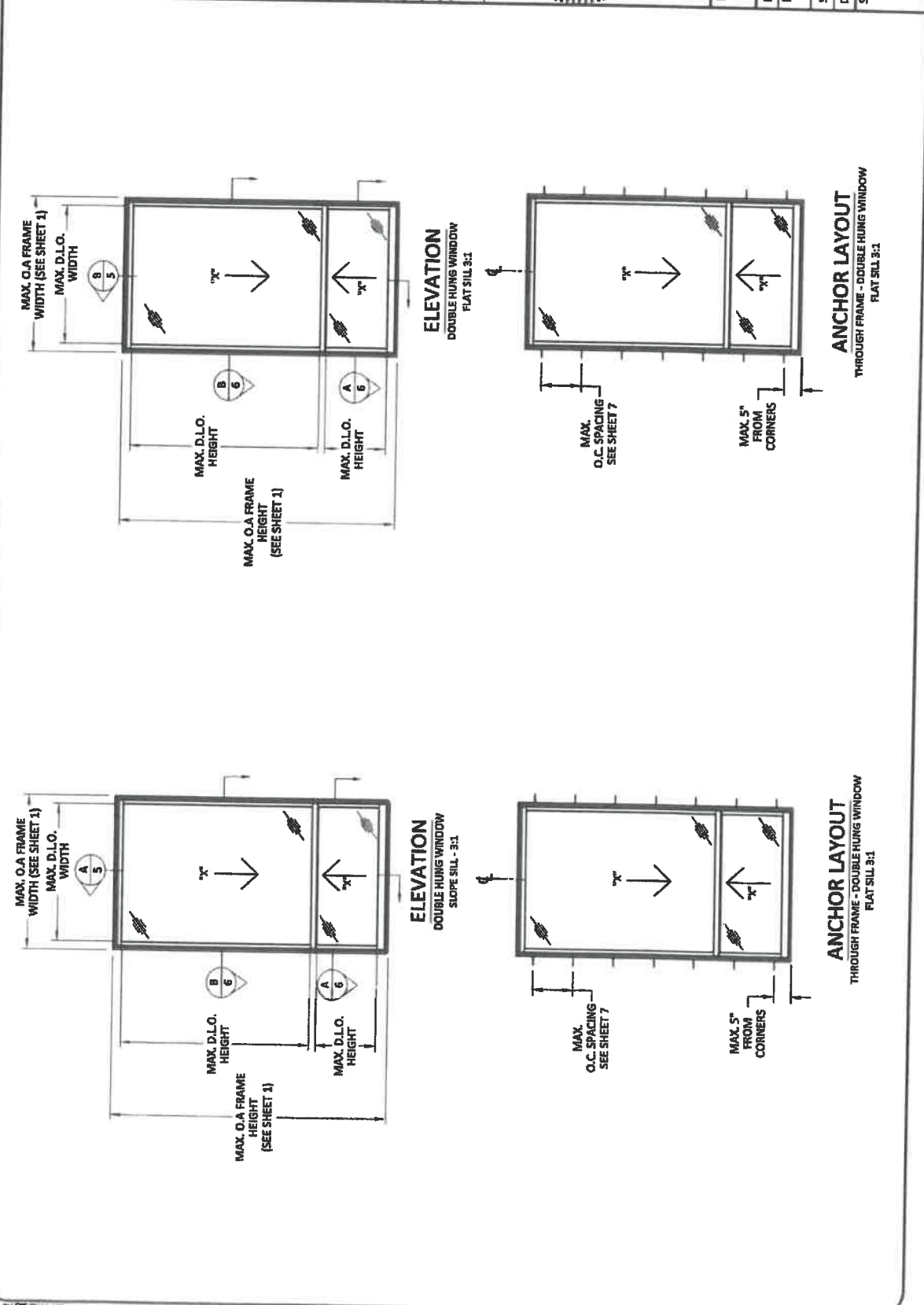
DATE: **02.22.18**

DWG. BY: **RV** CHK. BY: **HFN**

SCALE: **NTS**

DWG. #: **AWD234**

SHEET: **3**





100 COUNTRY AVE. MONROE  
BAYPORT, MN 55008-2086  
PH: (651) 284-5199 FAX: (651) 284-5485  
WWW.WWW.ANDERSEN.COM

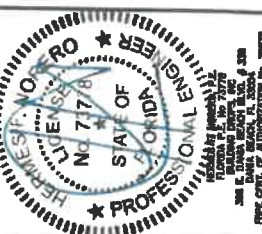
PREPARED BY:  
BUILDING DROPS, INC.  
308 E. DANA STREET, MONROE, MN 55008  
PHONE: (651) 284-5199 FAX: (651) 284-5485  
WWW.WWW.BUILDINGDROPS.COM



TITLE: DG SERIES DOUBLE HUNG WINDOW (NON-IMPACT)(NON-HVHZ) VERTICAL SECTIONS

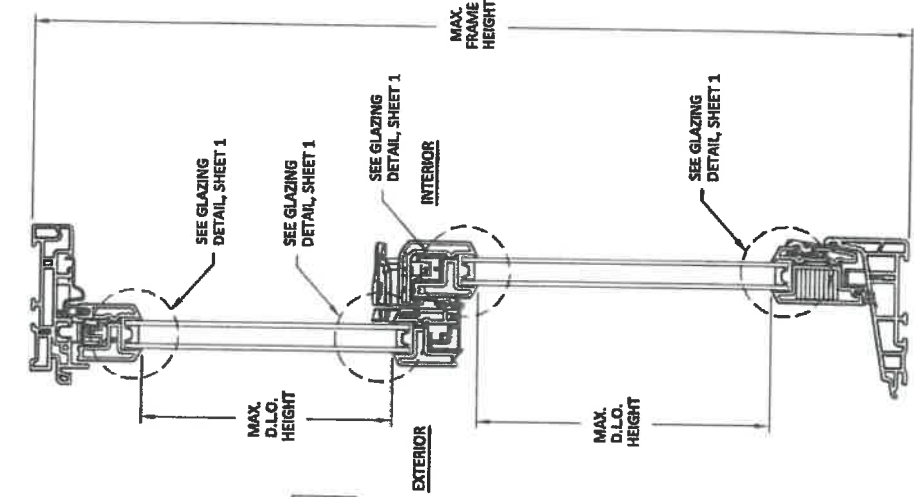
REMARKS	BY	DATE
SIZE GRID UPDATE	HR	11.26.11

THE INFORMATION CONTAINED HEREIN IS THE PROPERTY OF ANDERSEN WINDOW PRODUCTS, INC. AND IS NOT TO BE REPRODUCED OR TRANSMITTED IN ANY FORM OR BY ANY MEANS, ELECTRONIC OR MECHANICAL, INCLUDING PHOTOCOPYING, RECORDING, OR BY ANY INFORMATION STORAGE AND RETRIEVAL SYSTEM, WITHOUT THE WRITTEN PERMISSION OF ANDERSEN WINDOW PRODUCTS, INC.

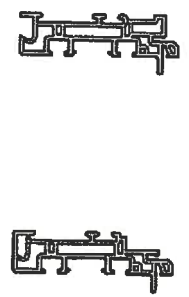


PL. #: FL27970  
DATE: 02.22.18  
DWG. BY: RV  
CHK. BY: HFN  
SCALE: NTS  
DWG. #: AWD234  
SHEET:

4  
OF 7

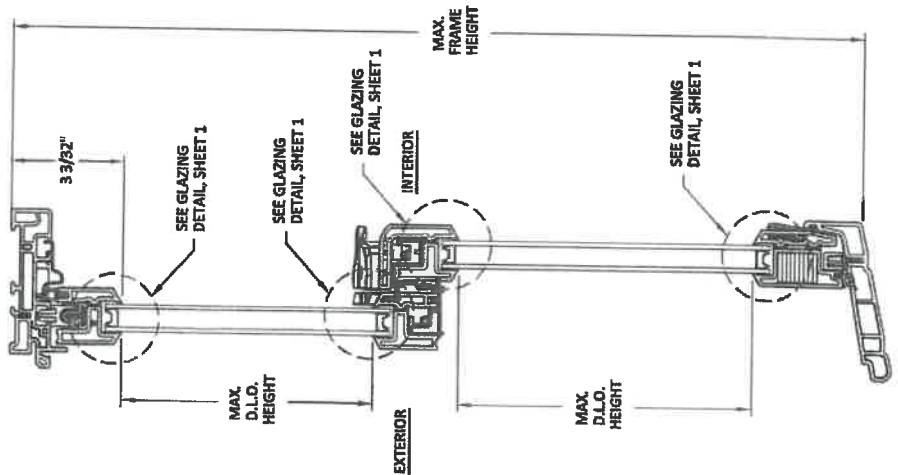


**B** 4 VERTICAL SECTION  
FLAT SILL 2:1



- 1 POCKET NOTCH
- 2 EJ FRAME

NOTE:  
1. THE PROFILES SHOWN ABOVE ARE ALSO QUALIFIED AS AN OPTION FOR USE OTHER THAN BASE FRAME AT THE HEAD.



**A** 4 VERTICAL SECTION  
SLOPE SILL 2:1





320 ROUTE 400 NORTH  
 SAFFORD, GA 30578-0000  
 PH: (833) 284-3250 FX: (833) 284-3485  
 WWW.ANDERSENWINDOWS.COM

PREPARED BY:  
**BUILDING DROPS, INC.**  
 398 E. DAVIS BLVD., STE. 204  
 DUNN WALKER, FL 32004  
 PH: (904) 428-4278  
 WWW.BUILDINGDROPS.COM



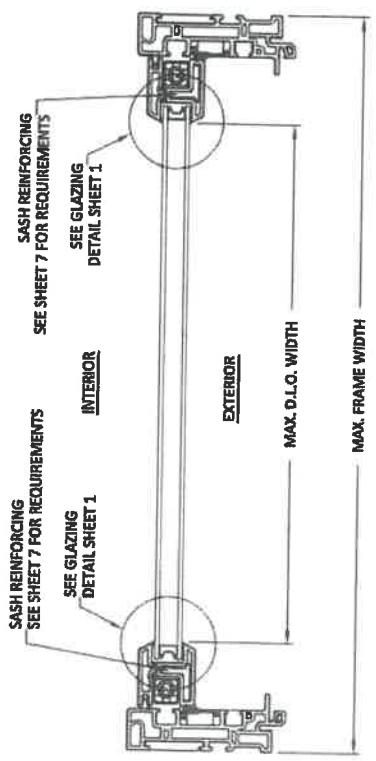
REMARKS	BY	DATE
SIZE 6RD UPDATE	HR	11.26.11

THE INFORMATION CONTAINED HEREIN IS THE PROPERTY OF ANDERSEN WINDOWS AND IS TO BE USED ONLY FOR THE PROJECT AND LOCATION SPECIFICALLY IDENTIFIED HEREIN. IT IS NOT TO BE REPRODUCED, COPIED, DISTRIBUTED, OR TRANSMITTED IN ANY FORM OR BY ANY MEANS, ELECTRONIC OR MECHANICAL, INCLUDING PHOTOCOPYING, RECORDING, OR BY ANY INFORMATION STORAGE AND RETRIEVAL SYSTEM, WITHOUT THE WRITTEN PERMISSION OF ANDERSEN WINDOWS.

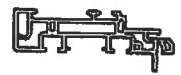
REGISTERED PROFESSIONAL ENGINEER  
 STATE OF FLORIDA  
 NO. 71778  
 HENRIE S. ANDERSON  
 398 E. DAVIS BLVD., STE. 204  
 DUNN WALKER, FL 32004-4238  
 PHONE: (904) 428-4278  
 FAX: (904) 428-4278  
 STATE BOARD OF PROFESSIONAL ENGINEERS

FL #: **FL27970**  
 DATE: **02.22.18**  
 DWG. BY: **RV** CHK. BY: **HFN**  
 SCALE: **NTS**  
 DWG. #: **AWD234**  
 SHEET:

6 OF 7



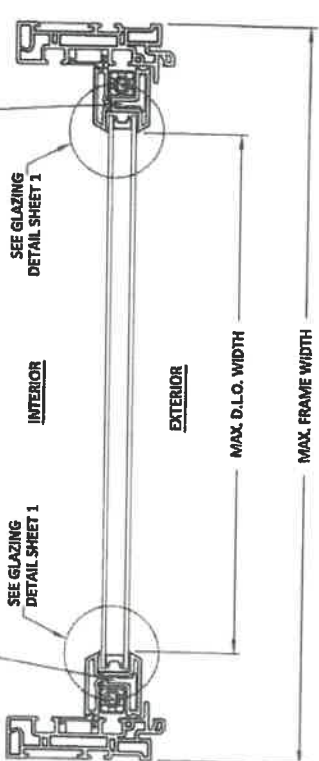
**A** **6** HORIZONTAL SECTION  
 LOWER SASH



**1** POCKET NOTCH

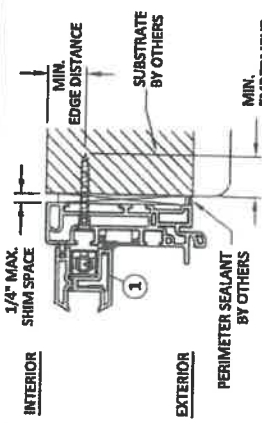


**2** EJ FRAME



**B** **6** HORIZONTAL SECTION  
 UPPER SASH

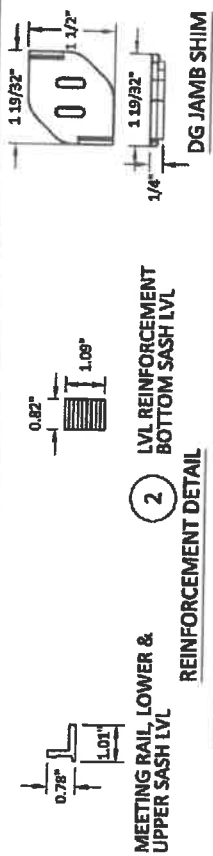
NOTE:  
 1. THE PROFILES SHOWN ABOVE ARE ALSO QUALIFIED AS AN OPTION FOR USE OTHER THAN BASE FRAME



**A**  
**7**  
**HORIZONTAL SECTION**  
THROUGH FRAME (JAMB)

**INSTALLATION NOTES:**

- ONE (1) INSTALLATION ANCHOR IS REQUIRED AT EACH ANCHOR LOCATION SHOWN.
- THE NUMBER OF INSTALLATION ANCHORS DEPICTED IS THE MINIMUM NUMBER OF ANCHORS TO BE USED FOR PRODUCT INSTALLATION OF THE MAXIMUM SIZE LISTED.
- INSTALL INDIVIDUAL INSTALLATION ANCHORS WITHIN A TOLERANCE OF 3/4 INCH THE DEPICTED LOCATION & SPACING IN THE ANCHOR LAYOUT DETAILS (I.E., WITHOUT CONSIDERATION OF TOLERANCES). TOLERANCES ARE NOT CUMULATIVE FROM ONE INSTALLATION ANCHOR TO THE NEXT.
- SHIMS ARE REQUIRED AT EACH INSTALLATION ANCHOR WITH LOAD BEARING SHIMS. MAXIMUM ALLOWABLE SHIM STACK TO BE 1/4 INCH. SHIM WHERE SPACE OF 1/16 INCH OR GREATER OCCURS. SHIM(S) SHALL BE CONSTRUCTED OF HIGH DENSITY PLASTIC OR BETTER.
- DG JAMB SHIM TO BE USED BETWEEN THE FRAME AND THE 1/4 INCH SHIM STACK.
- FOR MASONRY OR CONCRETE OPENINGS, A 1X WOOD BUCK MAY BE USED (OPTIONAL) AS LONG AS THE MINIMUM EMBEDMENT AND EDGE DISTANCE REQUIREMENTS ARE STILL MET WITHIN THE INSTALLATION ANCHOR'S SUBSTRATE. SEE GENERAL NOTE #3 ON SHEET 1 FOR MORE INFORMATION.
- MINIMUM EMBEDMENT AND EDGE DISTANCE EXCLUDE WALL FINISHES INCLUDING BUT NOT LIMITED TO STUCCO, FOAM, BRICK VENEER, AND SIDING.
- INSTALLATION ANCHORS AND ASSOCIATED HARDWARE MUST BE MADE OF CORROSION RESISTANT MATERIAL OR HAVE A CORROSION RESISTANT COATING.
- FOR HOLLOW BLOCK AND GROUT FILLED BLOCK, DO NOT INSTALL INSTALLATION ANCHORS INTO MORTAR JOINTS. EDGE DISTANCE IS MEASURED FROM FREE EDGE OF BLOCK OR EDGE OF MORTAR JOINT INTO FACE SHELL OF BLOCK.
- INSTALLATION ANCHORS SHALL BE INSTALLED IN ACCORDANCE WITH ANCHOR MANUFACTURER'S INSTALLATION INSTRUCTIONS, AND ANCHORS SHALL NOT BE USED IN SUBSTRATES WITH STRENGTHS LESS THAN THE MINIMUM STRENGTH SPECIFIED BY THE ANCHOR MANUFACTURER.



METHOD	ANCHOR SCHEDULE		MIN. EMBEDMENT	MIN. EDGE DISTANCE
	SUBSTRATE	ANCHOR SCHEDULE		
THROUGH FRAME	WOOD: MIN. SG = 0.95	#10 WOOD SCREW FLAT HEAD	1.5"	0.75"
	METAL: 18 GAUGE Steel, MIN. Fy = 33KSI	#10 TEK SCREW FLAT HEAD	3 THREADS MIN PENETRATION BEYOND METAL	0.5"
	CONCRETE: MIN. Fc=3000PSI	3/16" ITW TAPCON PLATHEAD	1.25"	2.5
	MASONRY: CMU per ASTM C90 MIN. 2000 PSI	3/16" ITW TAPCON PLATHEAD	1"	2.25

**Anchor Schedule - Max O.C. Spacing Standard Double Hung Grid, +/- 40 PSF**

Height (in.)	Width (in.)
24	36
27	8.5
27	8.5
27	8.5
36	13.0
36	8.5
48	19.0
48	13.0
60	24.0
60	16.7
72	24.0
72	20.7
72	15.5
76	24.0
76	22.0
76	16.5

**Anchor Schedule - Max O.C. Spacing DP Upgrade Double Hung Grid, +/-50/-65 PSF**

Height (in.)	Width (in.)
24	32
27	8.5
27	8.5
27	8.5
36	13.0
36	8.5
48	18.0
48	12.7
60	24.0
60	16.7
60	12.5
72	20.7
72	15.5
72	12.4
76	22.0
76	13.2
76	11.0

**Anchor Schedule - Max O.C. Spacing DP Upgrade Double Hung Grid, +/-69/-81 PSF**

Height (in.)	Width (in.)
24	36
27	8.5
27	8.5
27	8.5
36	13.0
36	8.5
48	19.0
48	13.0
60	24.0
60	16.7
60	12.5
72	24.0
72	20.7
72	15.5
76	24.0
76	22.0
76	18.5
84	24.0
84	21.5
84	14.8
96	24.0
96	21.5
96	17.2

**Anchor Schedule - Max O.C. Spacing Standard Double Hung Grid, +/- 30 PSF**

Height (in.)	Width (in.)
24	36
27	8.5
27	8.5
27	8.5
36	13.0
36	8.5
48	19.0
48	13.0
60	24.0
60	16.7
72	24.0
72	20.7
76	24.0
76	24.0
76	24.0
84	24.0
84	24.0
84	24.0
96	24.0
96	24.0
96	21.5

**Anchor Schedule - Max O.C. Spacing Fixed Upper Sash Double Hung Grid (INSERT AND BASE FRAME), +/- 40 PSF**

Height (in.)	Width (in.)
24	36
27	8.5
27	8.5
27	8.5
36	13.0
36	8.5
48	19.0
48	13.0
60	24.0
60	16.7
60	12.5
72	24.0
72	20.7
72	15.5
76	24.0
76	22.0
76	18.5
84	24.0
84	24.0
84	14.8
96	24.0
96	21.5
96	17.2

**Andersen AW**  
WINDOWS • DOORS  
100 FRONT AVENUE NORTH  
ANN ARBOR, MI 48106-1500  
PH: (734) 264-5200 FAX: (734) 264-5205  
WEB: www.andersenwindows.com

PREPARED BY:  
**BUILDING DROPS, INC.**  
156 E. OLIVE STREET, R. 3300A  
ANN ARBOR, MI 48106-1500  
PH: (734) 264-5200 FAX: (734) 264-5205  
WEB: www.bldgdrops.com

REMARKS	BY	DATE
SIZE GRID UPDATE	HR	1.1.14

**PROFESSIONAL ENGINEER**  
STATE OF MICHIGAN  
LICENSE NO. 7778  
N. 7778  
H. 7778  
J. 7778  
K. 7778  
L. 7778  
M. 7778  
N. 7778  
O. 7778  
P. 7778  
Q. 7778  
R. 7778  
S. 7778  
T. 7778  
U. 7778  
V. 7778  
W. 7778  
X. 7778  
Y. 7778  
Z. 7778

FL #:  
**FL27970**  
DATE: **02.22.18**  
DWG. BY: **RV** CHK. BY: **HFN**  
SCALE: **NTS**  
DWG. #: **AWD234**  
SHEET: **7**