

APPLICABLE CODES, REGULATIONS, & STANDARDS

- A. THE 2023 FLORIDA BUILDING CODE
- B. ASCE/SEI 7-22 MINIMUM DESIGN LOADS ON BUILDINGS AND OTHER STRUCTURES
- C. ACI 318-19 BUILDING CODE REQUIREMENTS FOR STRUCTURAL CONCRETE
- D. AISC STEEL CONSTRUCTION MANUAL (15TH EDITION)
- E. AWS D1.1: STRUCTURAL WELDING

1. THESE PLANS BELONG EXCLUSIVELY TO THE STRUCTURE, INCLUDING MAIN WIND FORCE RESISTING SYSTEM (MWFRS), COMPONENTS AND CLADDING (C&C), AND BASE RAIL ANCHORAGE. OTHER DESIGN ISSUES, INCLUDING BUT NOT LIMITED TO PROPERTY SET-BACKS, ELECTRICAL, PLUMBING, INGRESS/EGRESS, FINISH FLOOR SLOPES AND ELEVATIONS, OR OTHER LOCAL ZONING REQUIREMENTS ARE THE LIABILITY OF OTHERS.

2. THESE STRUCTURES ARE ENGINEERED AS (RISK CATEGORY I) CAPABLE OF SUPPORTING DEAD LOAD OF THE STRUCTURE AND LIVE AND WIND LOADS. UPGRADES NOT SPECIFICALLY ADDRESSED HEREIN, SUCH AS WINDOWS, DOORS, OR ANOTHER COMPONENT NOT LISTED IN THE BUILDING CODE APPROVED PRODUCT LIST, AND NOT PROVIDED AND INSTALLED BY THE CONTRACTOR, WHICH CAUSE ADDITIONAL LOADS ON THE STRUCTURE SHALL BE AT THE OWNER'S RISK. THE ENGINEER SHALL NOT BE RESPONSIBLE FOR FAILURE OR STRUCTURAL DAMAGE DUE TO THE EXTRA LOAD.

3. ALL STEEL TUBING SHALL BE 50 KSI GALVANIZED STEEL. ALL FASTENERS SHALL BE ZINC COATED HARDWARE.

4. SPECIFICATIONS APPLICABLE TO METAL PANELS FASTENED DIRECTLY TO TUBE STEEL (TS) FRAMING MEMBERS FOR VERTICAL PANELS, METAL PANELS SHALL BE FASTENED TO HAT CHANNELS (UNLESS OTHERWISE NOTED).

DESIGN LOAD NOTES:

1. BASIC WIND SPEED = 120 MPH  
EXPOSURE CATEGORY = C  
RISK CATEGORY = I

2. DESIGN LIVE LOAD = 12 PSF

3. THESE STRUCTURES HAVE BEEN DESIGNED TO WITHSTAND A MAXIMUM WIND SPEED OF 160 MPH IN EXPOSURE CATEGORY C.

# ENCLOSED METAL BUILDING DESIGN MAXIMUM 12'-0" WIDE X 14'-0" EAVE HEIGHT A-FRAME & REGULAR STYLE

MEMBER LEGEND

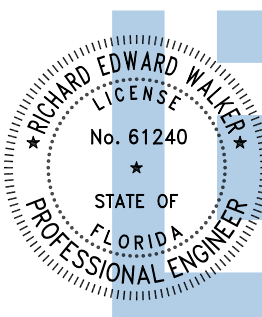
- 1. POST = 2.5"X2.5"X14GA TUBE W/ 2.25"X2.25"X14GA TUBE INSERT
- 2. ROOF GABLE BEAM = 2.5"X2.5"X14GA TUBE
- 3. BASE RAIL = 2.5"X2.5"X14GA TUBE
- 4. PEAK BRACE = 2.5"X1.5"X18GA CHANNEL
- 5. KNEE BRACE = 2.5"X1.5"X14GA CHANNEL
- 6. CONNECTOR SLEEVE = 2.25"X2.25"X12GA TUBE
- 7. BASE ANGLE = 2"X2"X3"X3/16" ANGLE
- 8. PURLIN = 4.25"X1.5"X18GA / 14GA HAT CHANNEL
- 9. GIRT = 4.25"X1.5"X18GA / 14GA HAT CHANNEL
- 10. SHEATHING = 29 GA CORRUGATED SHEET
- 11. END WALL POST = 2.5"X2.5"X14GA TUBE
- 12. DOOR POST = 2.5"X2.5"X14GA TUBE
- 13. SINGLE HEADER = 2.5"X2.5"X14GA TUBE
- 14. DOUBLE HEADER = (2) 2.5"X2.5"X14GA TUBE
- 15. SERVICE DOOR / WINDOW FRAMING = 2.5"X2.5"X14GA TUBE
- 16. ANGLE BRACKET = 2"X2"X2"X14GA ANGLE
- 17. STRAIGHT BRACKET = 2"X2"X4"X14GA PLATE
- 18. PB SUPPORT = 2.5"X2.5"X14GA TUBE
- 19. DIAGONAL BRACE = 2"X2"X14GA TUBE
- 20. GABLE BRACE = 2"X2"X14GA TUBE
- 21. DB BRACKET = 2.25"X2.25"X6"X14GA ANGLE
- 22. TRUSS SPACER = 2.5"X2.5"X14GA TUBE
- 23. ALL FASTENERS = #12X1" SDS (ESR-2196 OR EQ.)

FRAMING NOTES:

- 1. MAX POST SPACING = 4'-0" O.C.
- 2. MAX ROOF SLOPE = 3V:12H
- 3. ALL SHOP CONNECTIONS SHALL BE WELDED CONNECTIONS.
- 5. ALL FIELD CONNECTIONS SHALL BE #12X1" SDS (ESR-2196 OR EQUIVALENT).
- 6. STEEL SHEATHING SHALL BE 29GA CORRUGATED GALVANIZED OR PAINTED STEEL – MAIN RIB HEIGHT 3/4" (80 KSI YIELD STRENGTH) OR EQUIVALENT.
- 7. ALL STRUCTURAL LIGHT GAUGE TUBING AND CHANNELS SHALL BE GRADE 50 STEEL.
- 8. STRUCTURAL TUBE TS 2.5"X2.5"X14GA IS EQUIVALENT TO TS 2.25"X2.25"X12GA AND EITHER MAY BE USED IN LIEU OF THE OTHER.

THE ENGINEERING ON THESE PLANS IS SITE SPECIFIC FOR (1) STRUCTURE ONLY AT THE PROVIDED ADDRESS(ES).

This item has been digitally signed and sealed by Richard E. Walker, P.E. on the date adjacent to the seal. Printed copies of this document are not considered signed and sealed and the signature must be verified on any electronic copies.



Digitally signed by Richard E Walker  
Date: 2024.05.16 12:00:01-04'00'

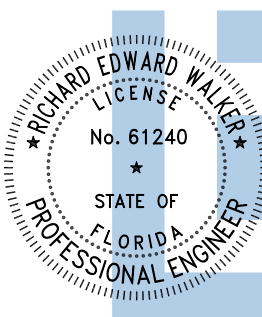
**FLORIDA ENGINEERING LLC**  
 4161 TAMiami TRAIL, UNIT 101  
 PORT CHARLOTTE, FLORIDA 33952  
 (941) 391-5980  
 FLEng.com  
 Orders@FLEng.com  
 CA CERT. #30782

PROJECT NO. 2413539

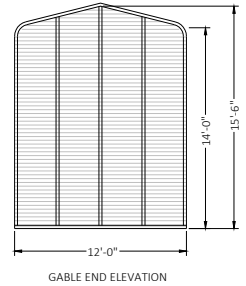
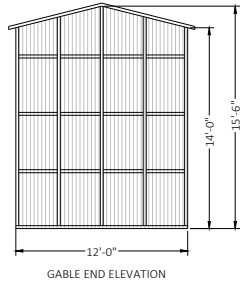
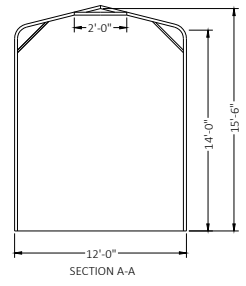
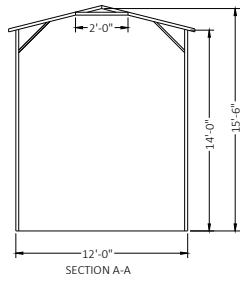
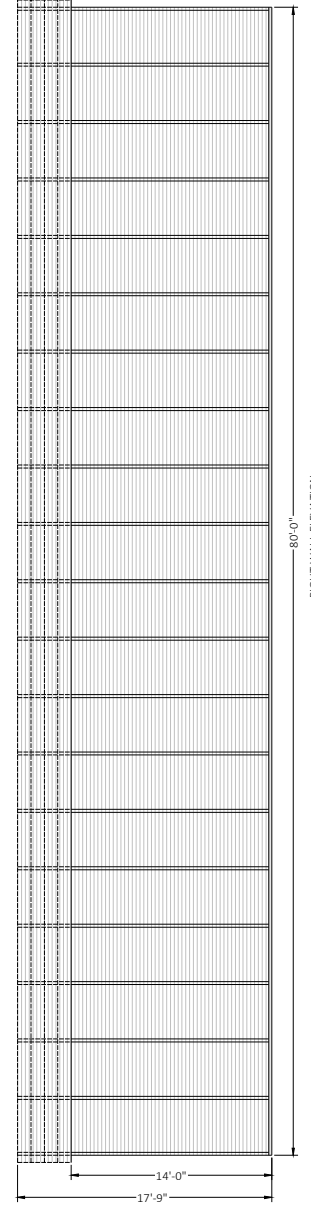
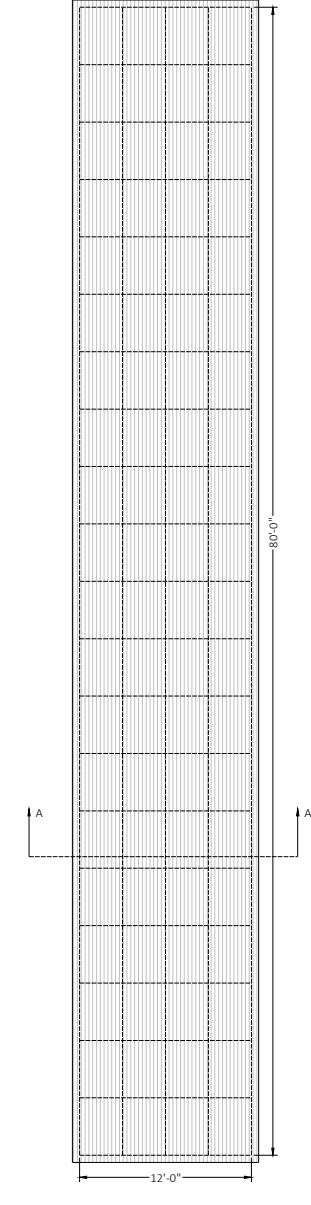
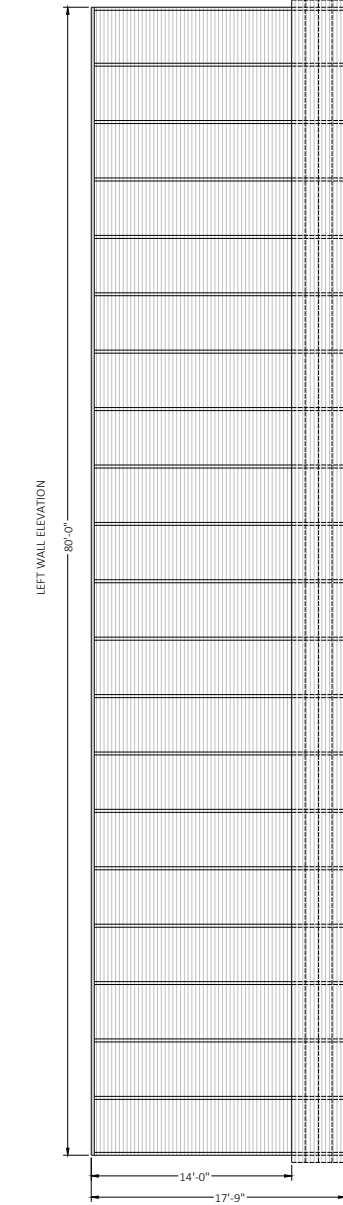
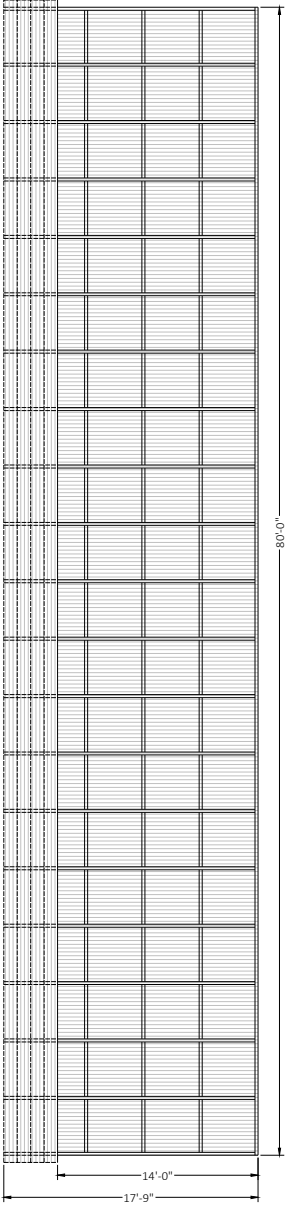
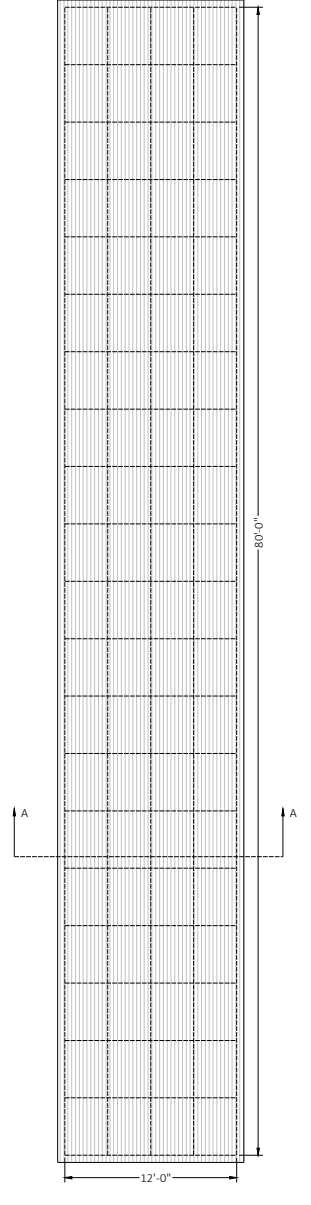
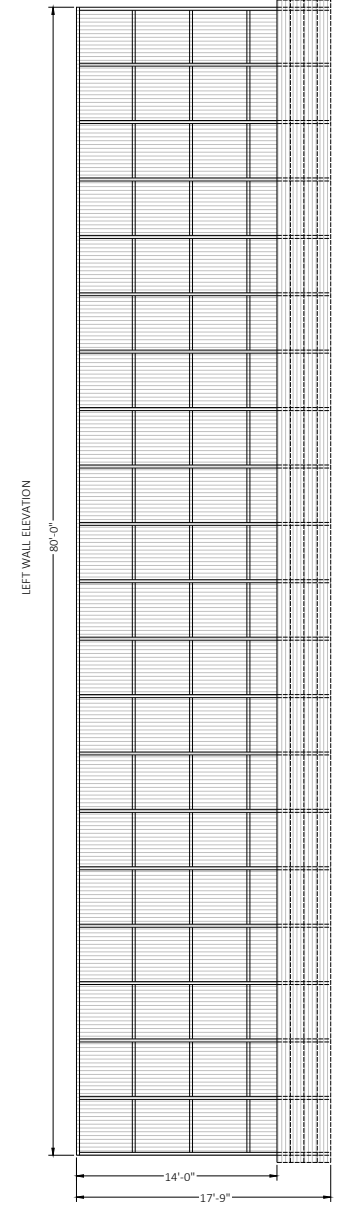
CONTRACTOR: MARTINEZ CARPORTS LLC	PROJECT DESCRIPTION: DROTOS 254 SW. HERMITAGE GLEN, HIGH SPRINGS, FL. 32643
--------------------------------------	--

DESIGN DATE:	05/15/2024
REVISION 1:	DATE
REVISION 2:	DATE
DRAWN BY:	JS
SCALE:	NTS
PAGE :	<b>1</b>

This item has been digitally signed and sealed by Richard E. Walker, P.E. on the date adjacent to the seal. Printed copies of this document are not considered signed and sealed and the signature must be verified on any electronic copies.



Digitally signed by Richard E Walker  
 Date: 2024.05.16 12:00:02-04'00'

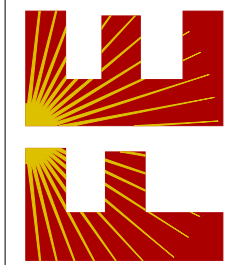


A-FRAME STYLE BUILDING

REGULAR STYLE BUILDING

(1) SET OF GENERIC PLANS IS VALID FOR ONLY (1) STRUCTURE AT A SITE-SPECIFIC ADDRESS. THESE PLANS CAN NOT BE DUPLICATED OR REPLICATED WITHOUT THE SIGN & SEAL OF CRAIG E. GUNDERSON, P.E. #60102.

**FLORIDA ENGINEERING LLC**  
 4161 TAMiami TRAIL, UNIT 101  
 PORT CHARLOTTE, FLORIDA 33952  
 (941) 391-5980  
 FLEng.com  
 Orders@FLEng.com



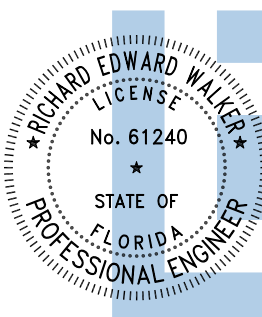
PROJECT NO. 2413539 CA CERT. #30782

CONTRACTOR: MARTINEZ CARPORTS LLC

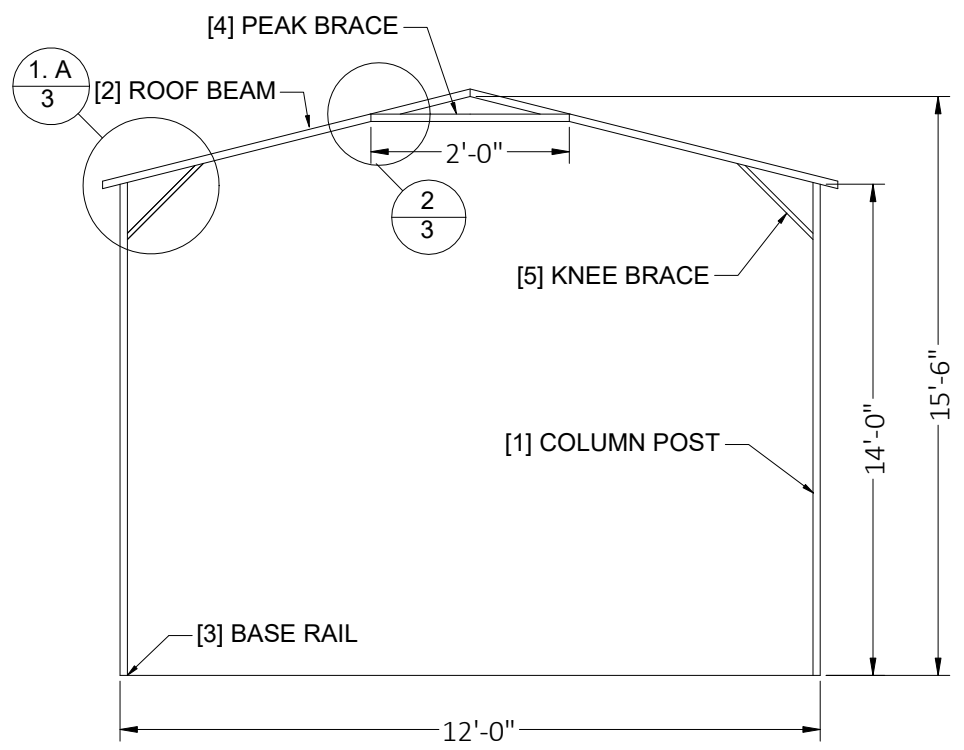
PROJECT DESCRIPTION:  
 DROTOS  
 254 SW. HERMITAGE GLEN,  
 HIGH SPRINGS, FL. 32643

DESIGN DATE:	05/15/2024	PAGE :
REVISION 1:	DATE	
REVISION 2:	DATE	2
DRAWN BY:	JS	
SCALE:	NTS	

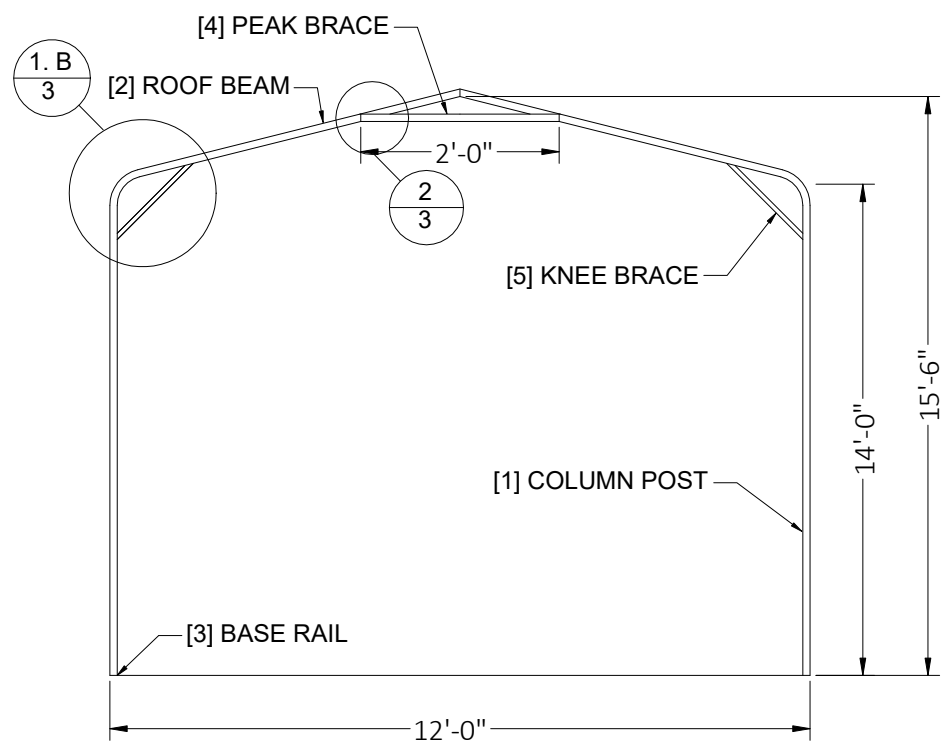
This item has been digitally signed and sealed by Richard E. Walker, P.E. on the date adjacent to the seal. Printed copies of this document are not considered signed and sealed and the signature must be verified on any electronic copies.



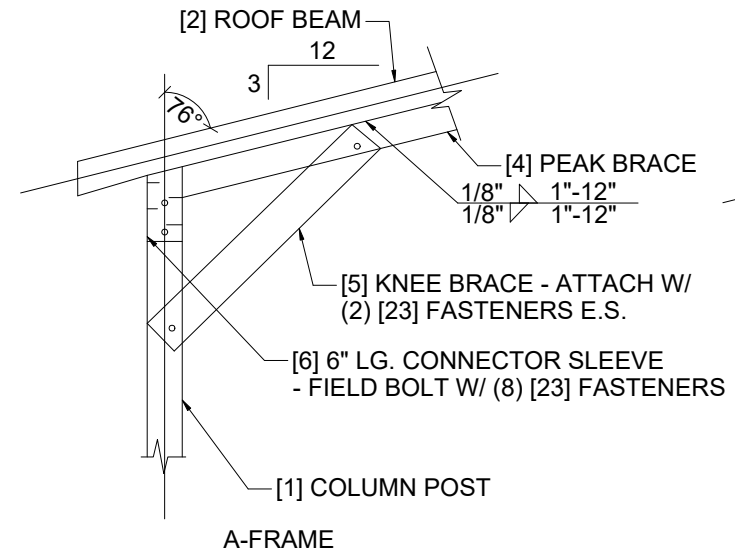
Digitally signed by Richard E Walker  
Date: 2024.05.16 12:00:02-04'00'



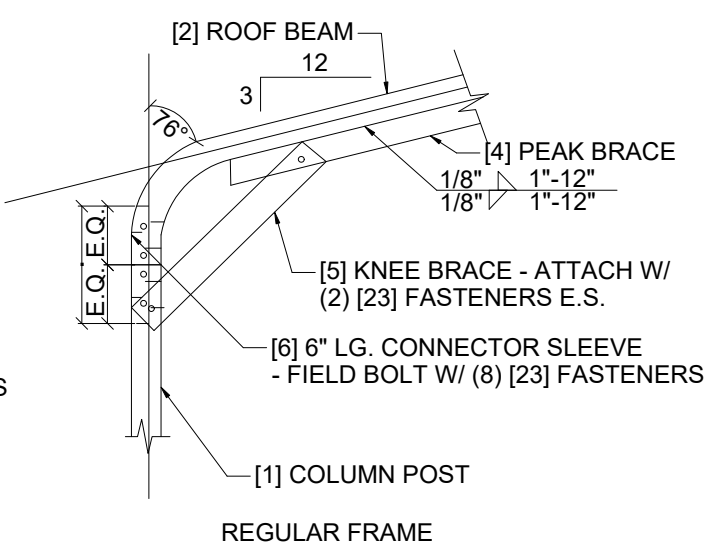
TYP. A-FRAME SECTION  
SCALE: NTS



TYP. REGULAR FRAME SECTION  
SCALE: NTS

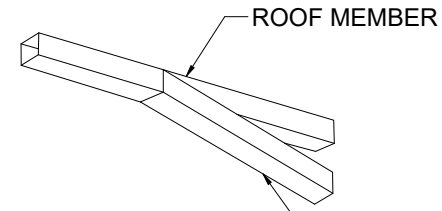


A-FRAME

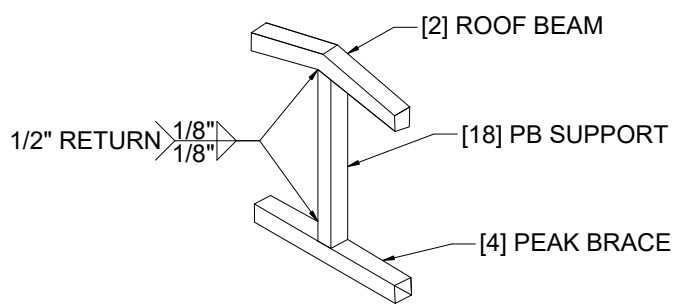


REGULAR FRAME

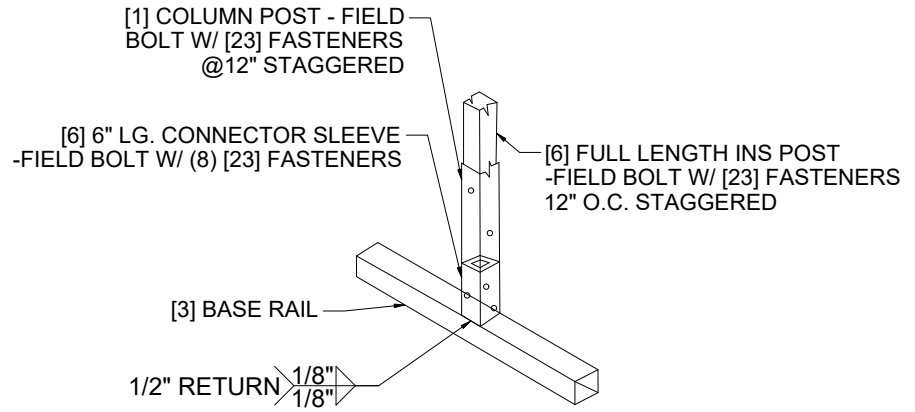
1. EAVE DETAIL OPTIONS



[4] PEAK BRACE - ATTACH W/ (2) [23] FASTENERS EA. SIDE, (4) TOTAL  
MIN. EDGE DISTANCE & SPACING = 1"  
2. PEAK BRACE CONNECTION DETAILS



4. PB SUPPORT DETAIL

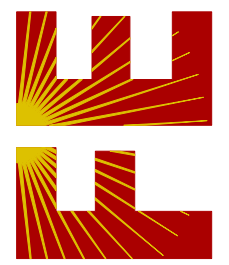


3. BASE DETAIL

NOTE : COLUMN POST MAY BE ADJUSTED +/- 1" FOR LEVELING.  
MANUFACTURER IS NOT RESPONSIBLE FOR LEVELING OF GROUND  
AND/OR CONCRETE SURFACE PROVIDED BY OTHERS.

( ) BRACKETS DENOTE QUANTITY  
[ ] BRACKETS DENOTE MEMBER, SEE LEGEND ON PG. 1

FLORIDA ENGINEERING LLC  
4161 TAMiami TRAIL, UNIT 101  
PORT CHARLOTTE, FLORIDA 33952  
(941) 391-5980  
FLEng.com  
Orders@FLEng.com  
CA CERT. #30782

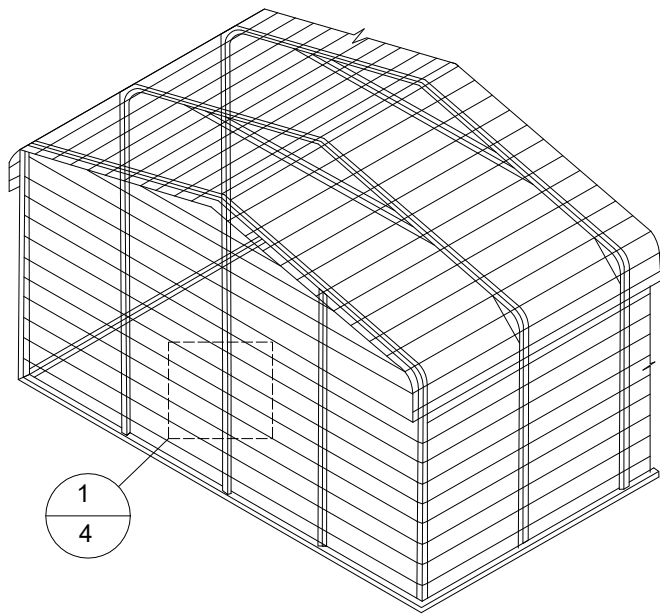


PROJECT NO. 2413539

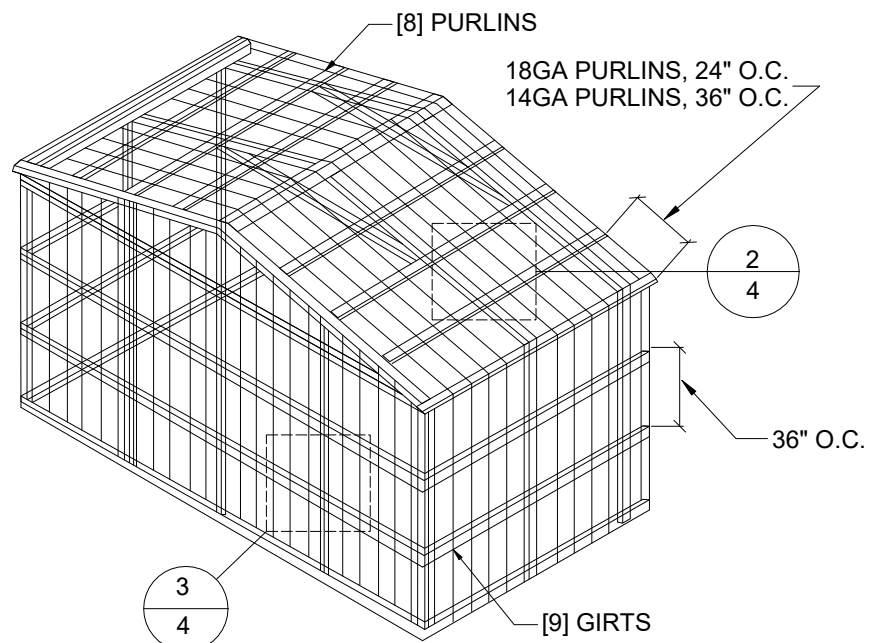
CONTRACTOR:  
MARTINEZ CARPORTS LLC

PROJECT DESCRIPTION:  
DROTOS  
254 SW. HERMITAGE GLEN,  
HIGH SPRINGS, FL. 32643

DESIGN DATE:	05/15/2024	PAGE :
REVISION 1:	DATE	
REVISION 2:	DATE	3
DRAWN BY:	JS	
SCALE:	NTS	



TYP. HORIZONTAL SHEATHING

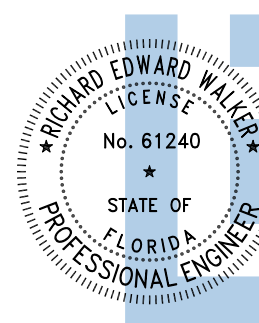


TYP. VERTICAL SHEATHING

**GENERAL SHEATHING NOTES:**

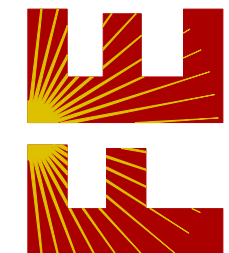
1. REGULAR STYLE BUILDING CAN ONLY HAVE HORIZONTAL SHEATHING ON ROOF AND WALLS.
2. A FRAME STYLE BUILDING CAN HAVE ANY COMBINATION OF HORIZONTAL OR VERTICAL SHEATHING ON ROOF AND WALLS.
3. BOTH HORIZONTAL AND VERTICAL ROOF SHEATHING CAN HAVE MAX. 6" OVERHANG.
4. USING VERTICAL SHEATHING MAY ALLOW FOR GREATER FRAME SPACING.
5. VERTICAL SHEATHING RECOMMENDED FOR 40'-0" WIDE BUILDING.

This item has been digitally signed and sealed by Richard E. Walker, P.E. on the date adjacent to the seal. Printed copies of this document are not considered signed and sealed and the signature must be verified on any electronic copies.



Digitally signed by Richard E Walker  
Date: 2024.05.16 12:00:03-04'00'

**FLORIDA ENGINEERING LLC**  
4161 TAMiami TRAIL, UNIT 101  
PORT CHARLOTTE, FLORIDA 33952  
(941) 391-5980  
FLEng.com  
Orders@FLEng.com

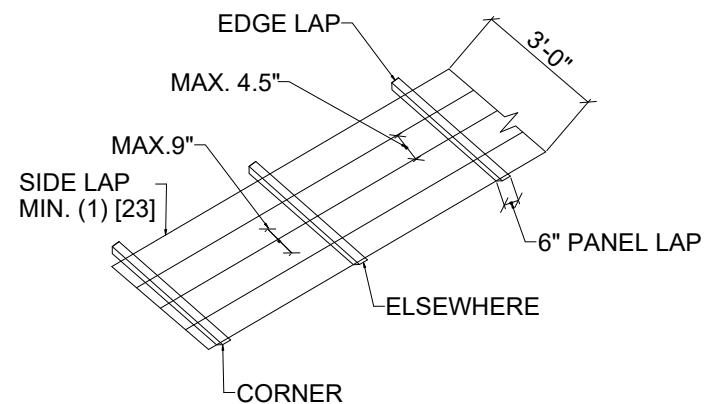


CA CERT. #30782

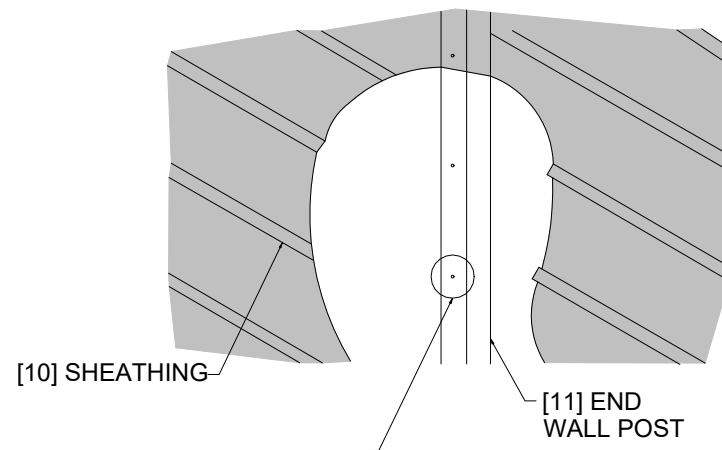
PROJECT NO. 2413539

CONTRACTOR: **MARTINEZ CARPORTS LLC**  
PROJECT DESCRIPTION: **DROTOS 254 SW. HERMITAGE GLEN, HIGH SPRINGS, FL. 32643**

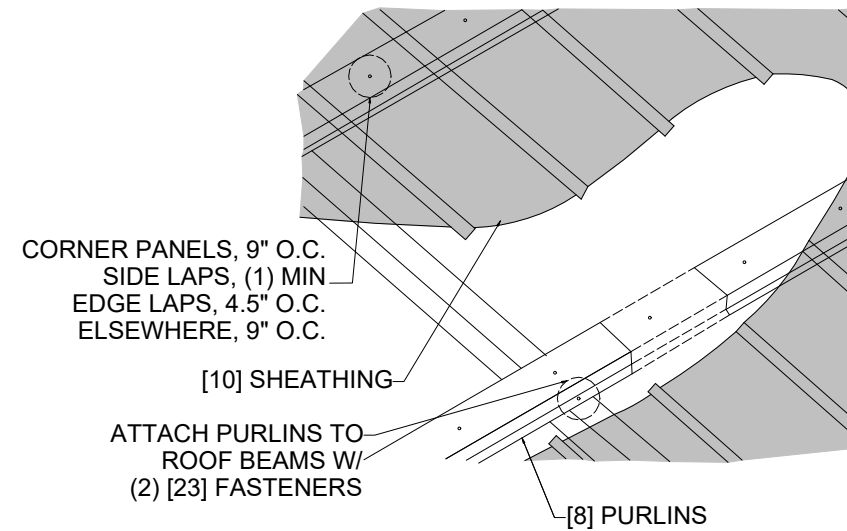
DESIGN DATE:	05/15/2024	PAGE :
REVISION 1:	DATE	
REVISION 2:	DATE	4
DRAWN BY:	JS	
SCALE:	NTS	



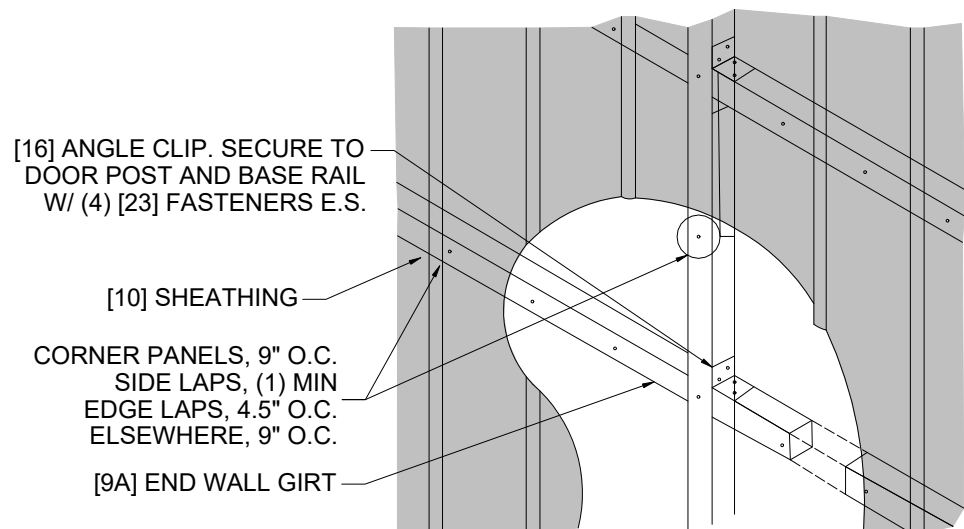
TYP. SHEATHING FASTENER SCHEDULE



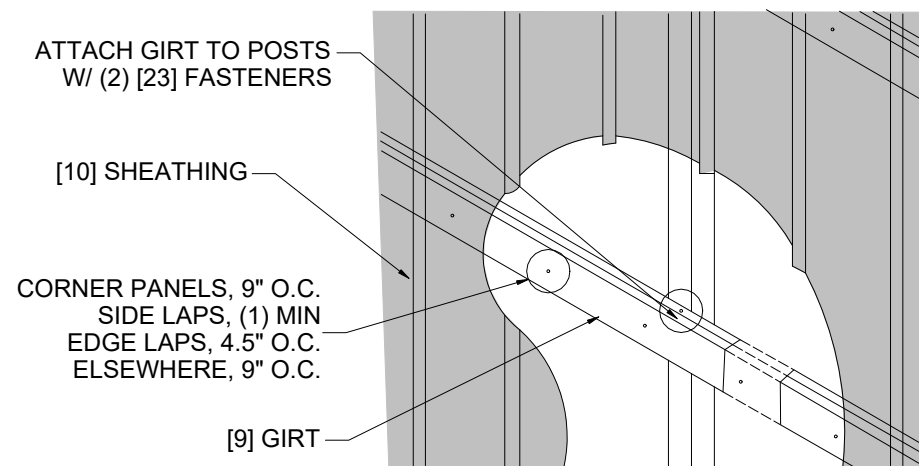
1. TYP. HORIZONTAL SHEATHING DETAILS



2. ROOF VERTICAL SHEATHING DETAILS



3. WALL VERTICAL SHEATHING- TUBE DETAILS

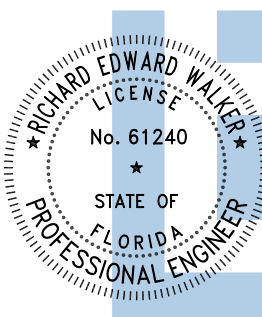


3. WALL VERTICAL SHEATHING- HAT CHANNEL DETAILS

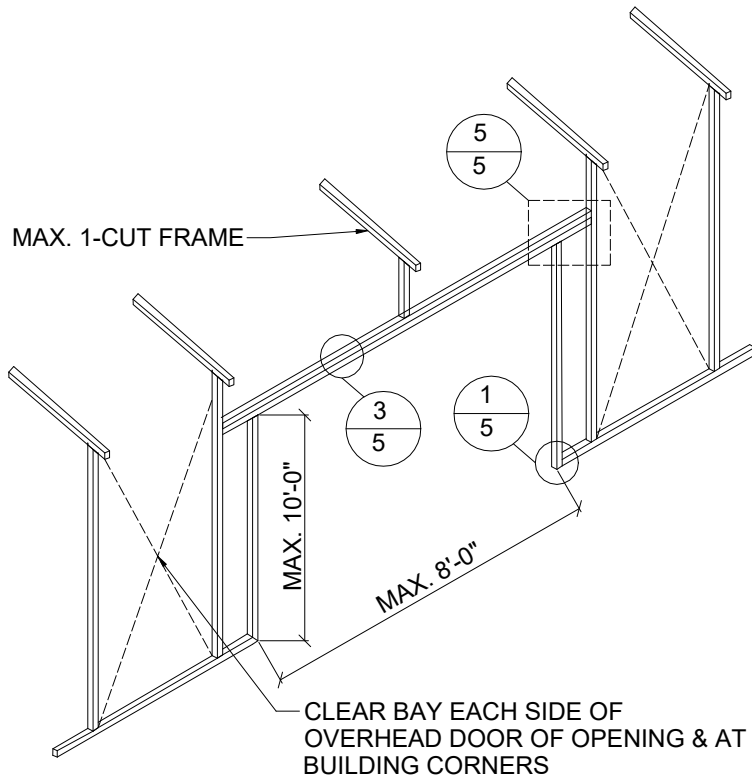
( ) BRACKETS DENOTE QUANTITY

[ ] BRACKETS DENOTE MEMBER, SEE LEGEND ON PG. 1

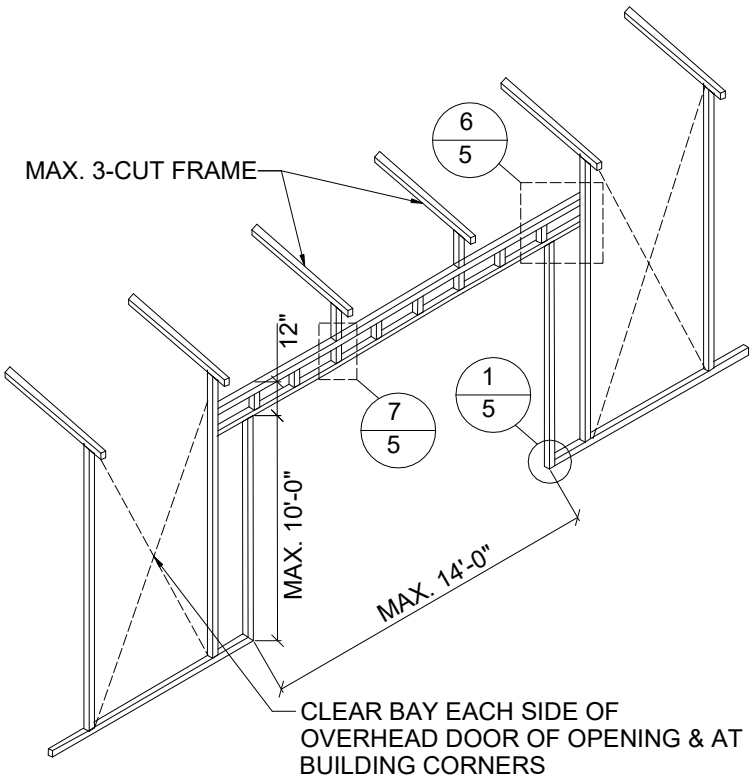
This item has been digitally signed and sealed by Richard E. Walker, P.E. on the date adjacent to the seal. Printed copies of this document are not considered signed and sealed and the signature must be verified on any electronic copies.



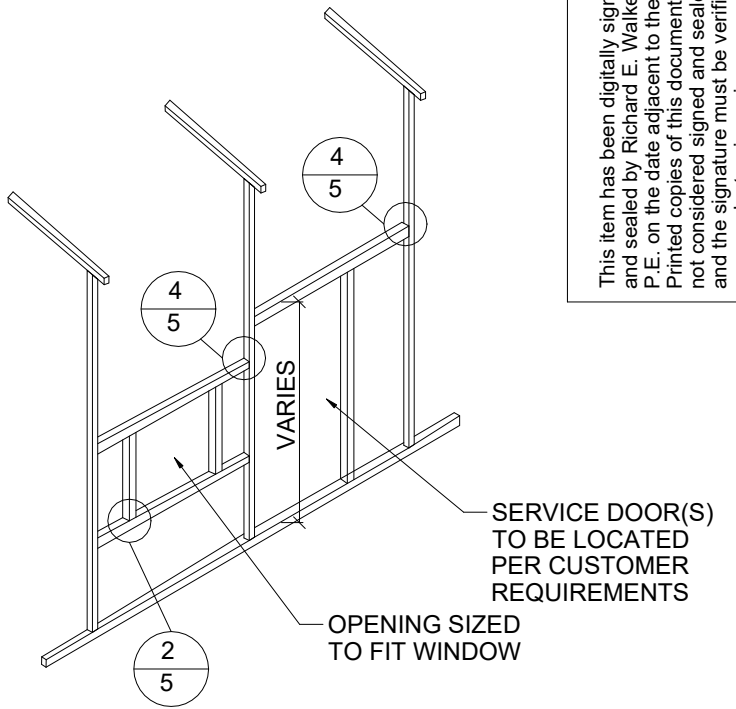
Digitally signed by Richard E Walker  
Date: 2024.05.16 12:00:03-04'00'



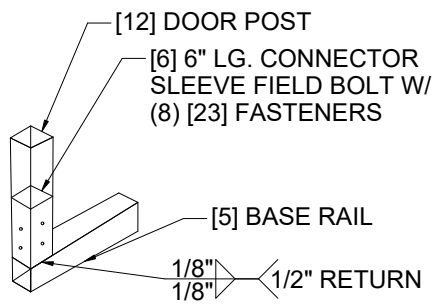
SIDE WALL OVERHEAD DOOR OPENINGS



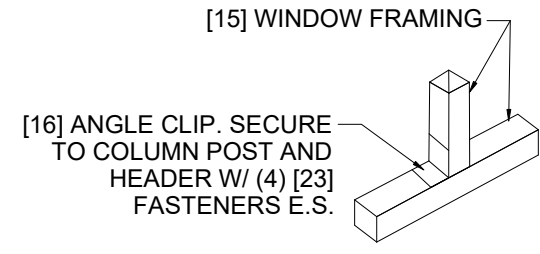
SIDE WALL OVERHEAD DOOR OPENINGS WITH TRUSS STYLE HEADER



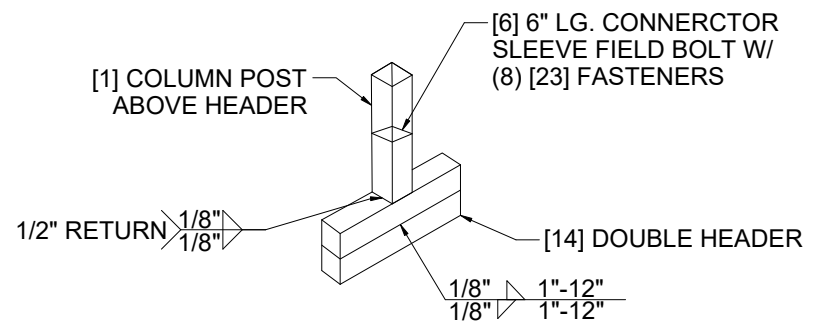
SIDE WALL SERVICE OVERHEAD DOOR/ WINDOW OPENINGS



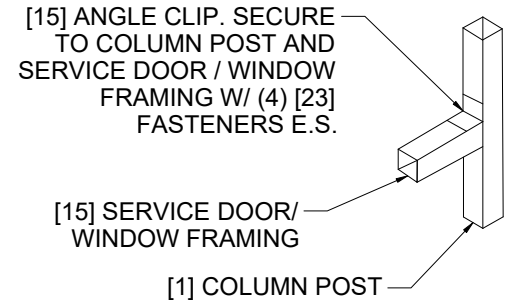
1. DOOR POST BOT. CONN. DETAILS



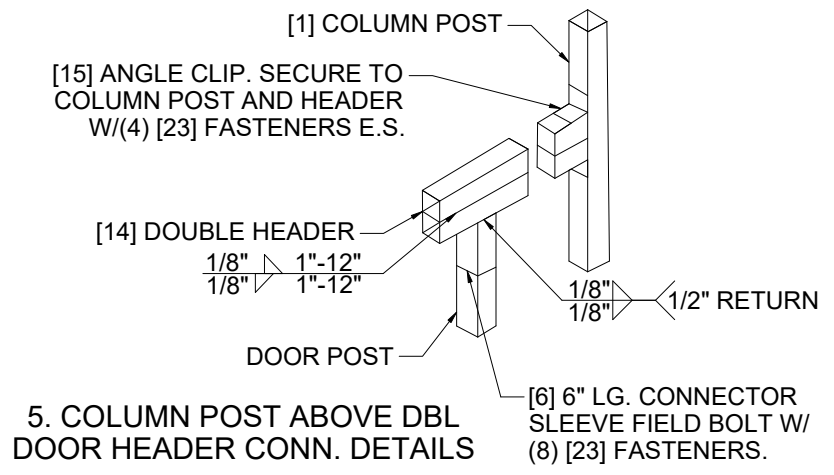
2. TYP. WINDOW FRAMING CONN. DETAILS



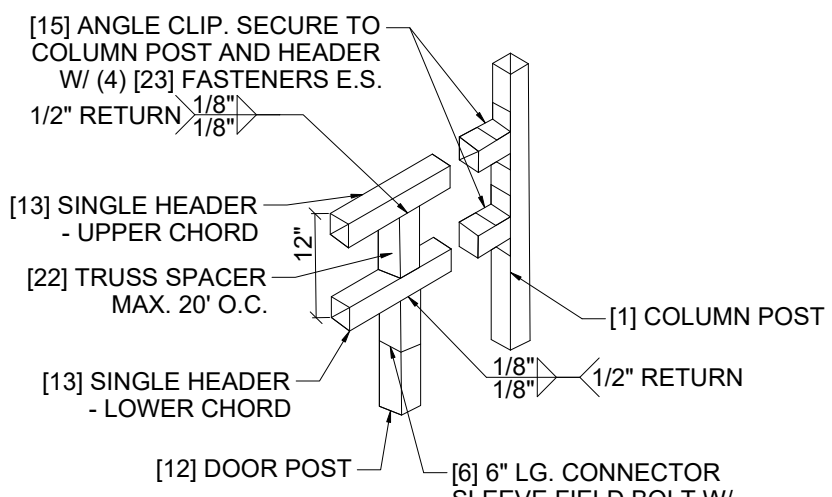
3. COLUMN POST ABOVE DBL. DOOR HEADER CONN. DETAIL



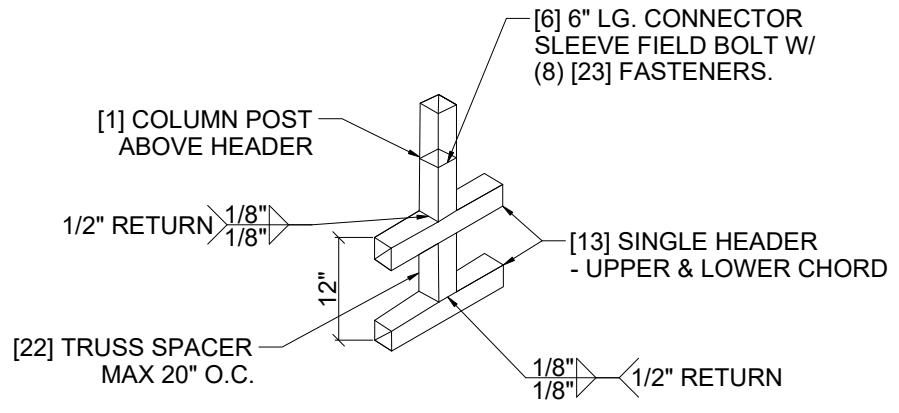
4. TYP. SERVICES DOOR/ WINDOW FRAMING CONN. DETAILS



5. COLUMN POST ABOVE DBL. DOOR HEADER CONN. DETAILS



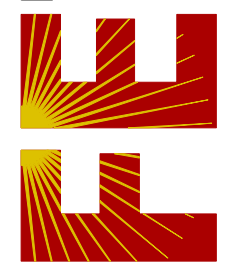
6. COLUMN POST ABOVE TRUSS DOOR HEADER CONN. DETAILS



7. COLUMN POST ABOVE TRUSS DOOR HEADER CONN. DETAILS

( ) BRACKETS DENOTE QUANTITY  
[ ] BRACKETS DENOTE MEMBER, SEE LEGEND ON PG. 1

FLORIDA ENGINEERING LLC  
4161 TAMiami TRAIL, UNIT 101  
PORT CHARLOTTE, FLORIDA 33952  
(941) 391-5980  
FLEng.com  
Orders@FLEng.com  
CA CERT. #30782

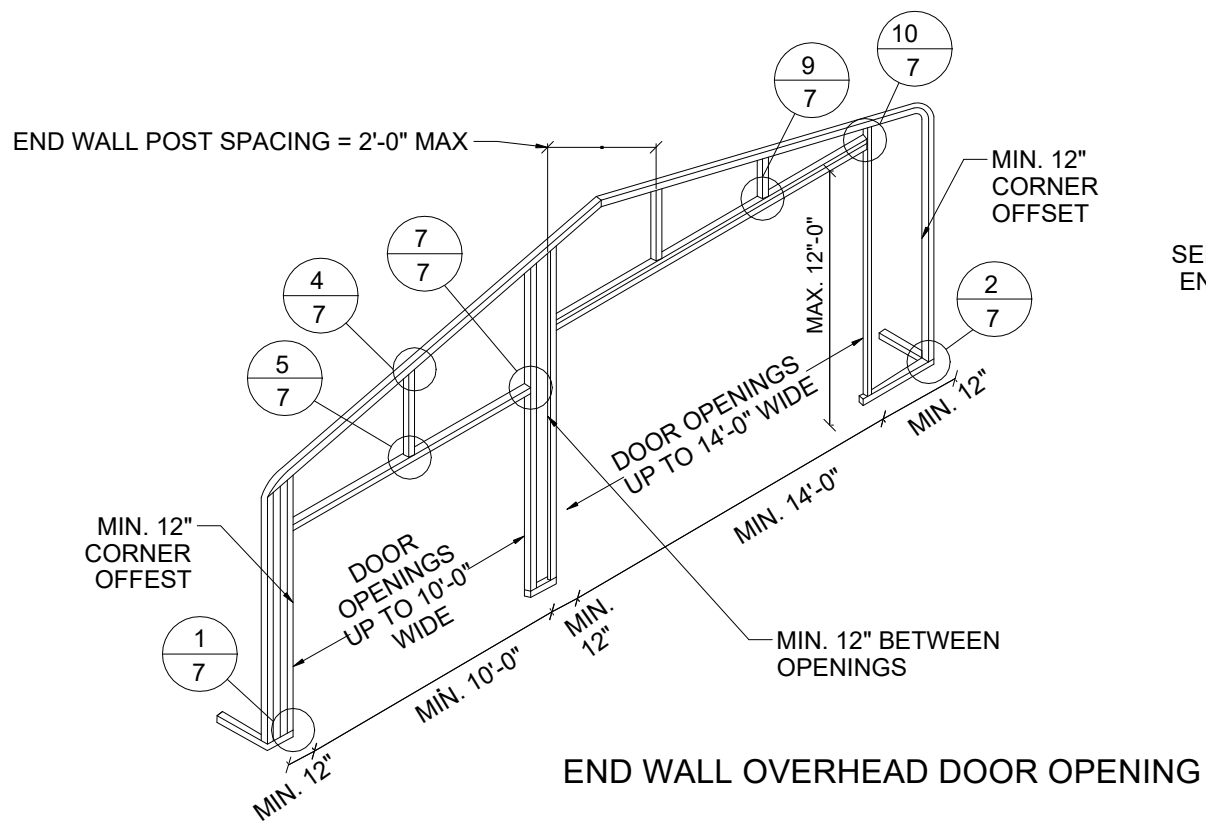


PROJECT NO. 2413539

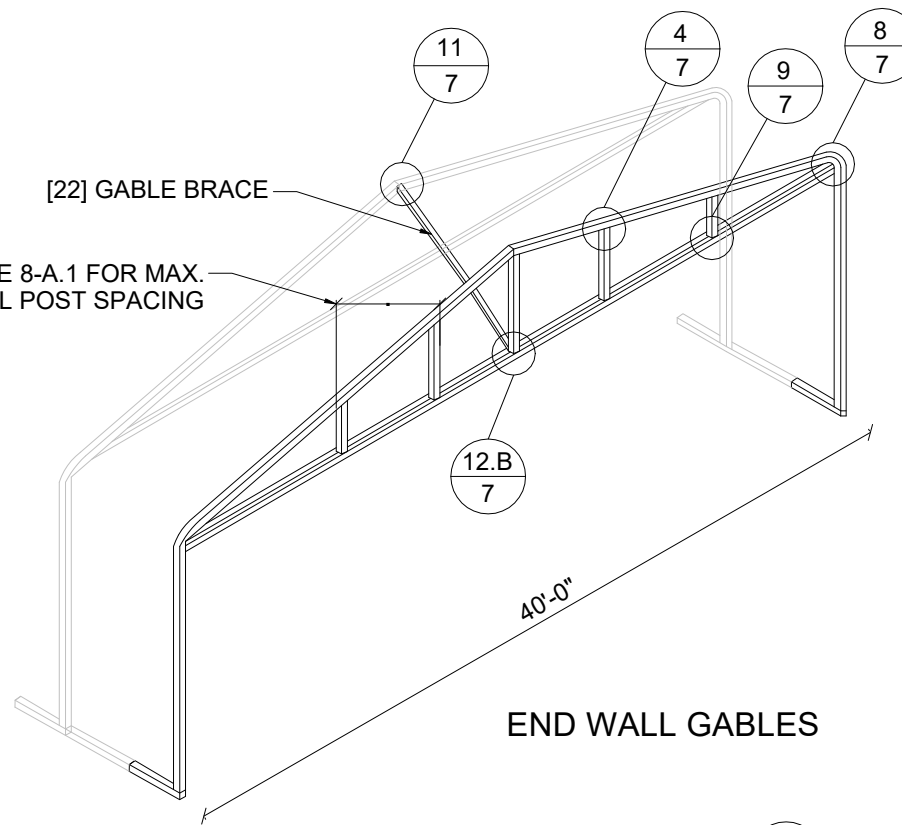
CONTRACTOR: MARTINEZ CARPORTS LLC

PROJECT DESCRIPTION:  
DROTOS  
254 SW. HERMITAGE GLEN,  
HIGH SPRINGS, FL. 32643

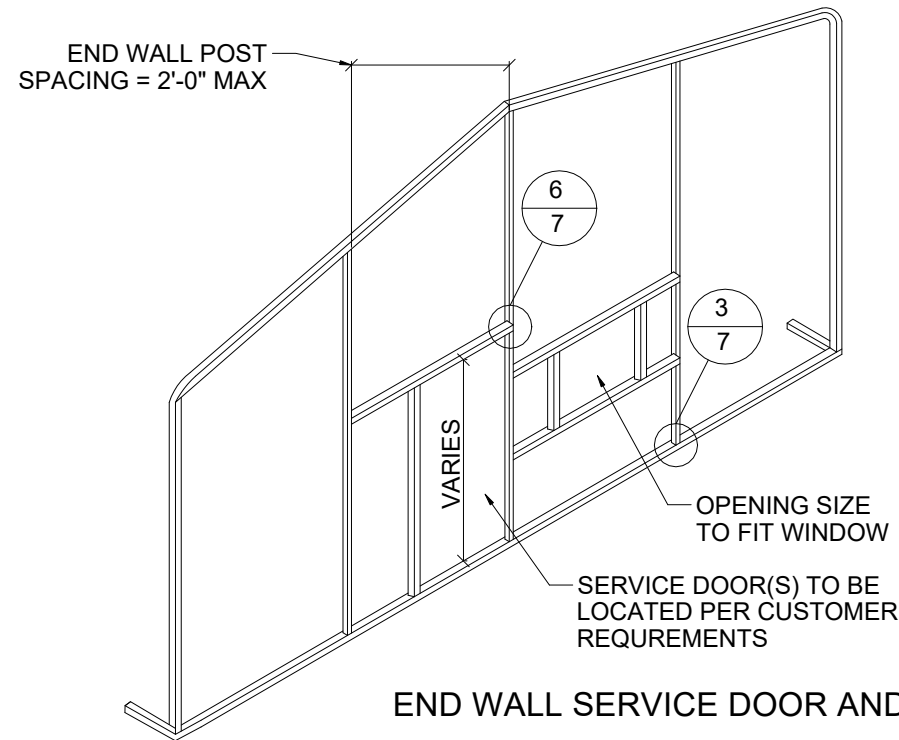
DESIGN DATE:	05/15/2024	PAGE :
REVISION 1:	DATE	
REVISION 2:	DATE	5
DRAWN BY:	JS	
SCALE:	NTS	



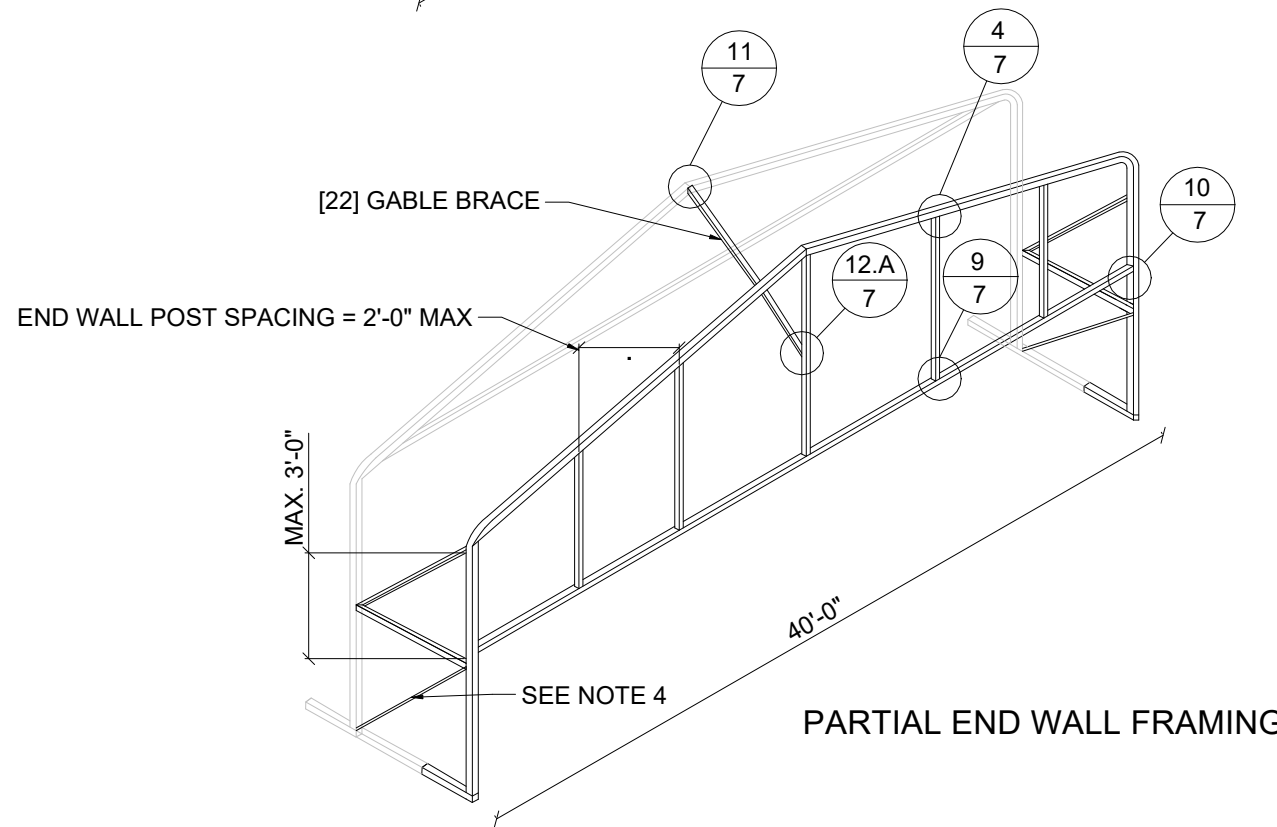
END WALL OVERHEAD DOOR OPENING



END WALL GABLES



END WALL SERVICE DOOR AND WINDOW OPENINGS

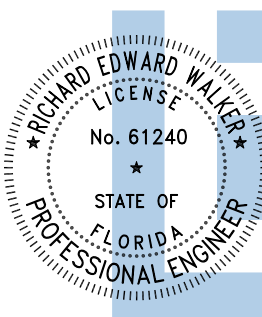


PARTIAL END WALL FRAMING

END WALL FRAMING NOTES:

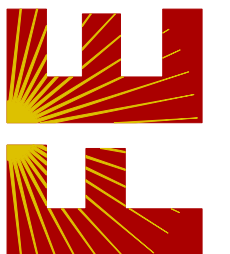
- DESIGNS AND DETAILS SHOWN HERE ARE APPLICABLE TO BOTH REGULAR AND A- FRAME STYLE BUILDING.
- MIN. 12" CLEARANCE MUST BE MAINTAINED BETWEEN ANY TWO OPENING (OVERHEAD DOOR OR SERVICE DOOR) AND FROM CORNERS.
- SERVICE DOOR AND WINDOW CAN BE PLACED AS NEEDED.

This item has been digitally signed and sealed by Richard E. Walker, P.E. on the date adjacent to the seal. Printed copies of this document are not considered signed and sealed and the signature must be verified on any electronic copies.



Digitally signed by Richard E Walker  
 Date: 2024.05.16 12:00:04-04'00'

FLORIDA ENGINEERING LLC  
 4161 TAMiami TRAIL, UNIT 101  
 PORT CHARLOTTE, FLORIDA 33952  
 (941) 391-5980  
 FLEng.com  
 Orders@FLEng.com  
 CA CERT. #30782



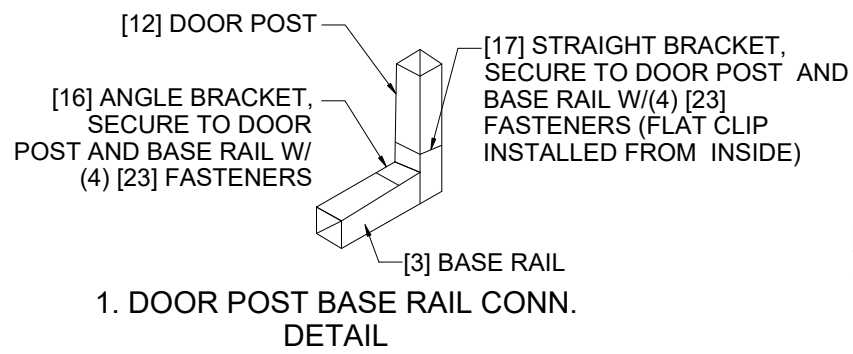
PROJECT NO. 2413539

CONTRACTOR: MARTINEZ CARPORTS LLC

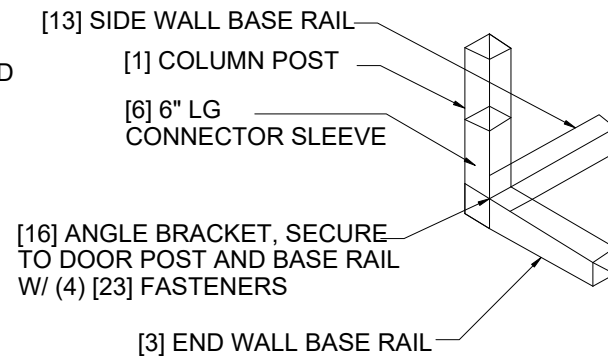
PROJECT DESCRIPTION: DROTOS 254 SW. HERMITAGE GLEN, HIGH SPRINGS, FL. 32643

DESIGN DATE:	05/15/2024
REVISION 1:	DATE
REVISION 2:	DATE
DRAWN BY:	JS
SCALE:	NTS

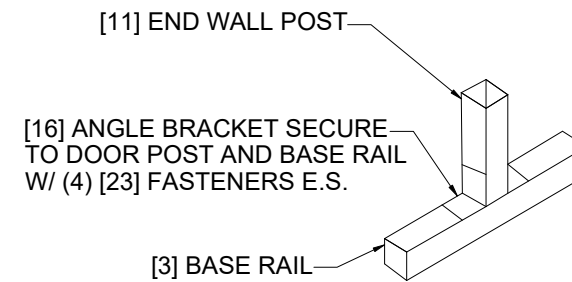
( ) BRACKETS DENOTE QUANTITY  
 [ ] BRACKETS DENOTE MEMBER, SEE LEGEND ON PG. 1



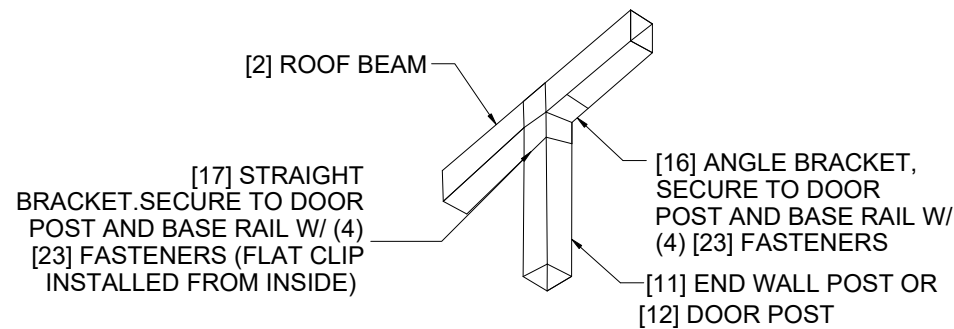
1. DOOR POST BASE RAIL CONN. DETAIL



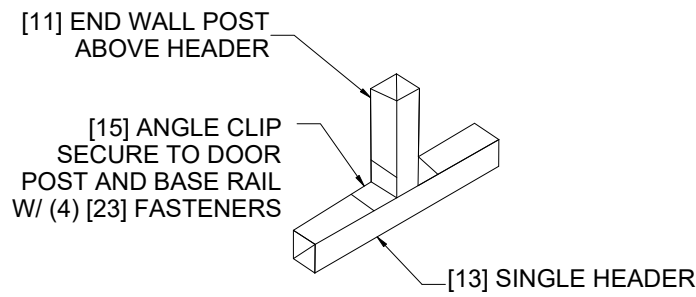
2. CORNER DETAIL



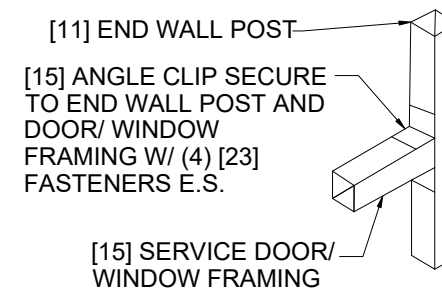
3. END WALL POST- BASE RAIL CONN. DETAIL



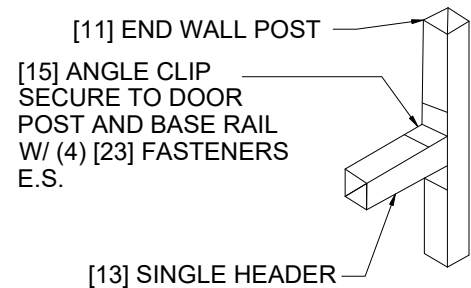
4. END WALL POST- ROOF BEAM CONN. DETAIL



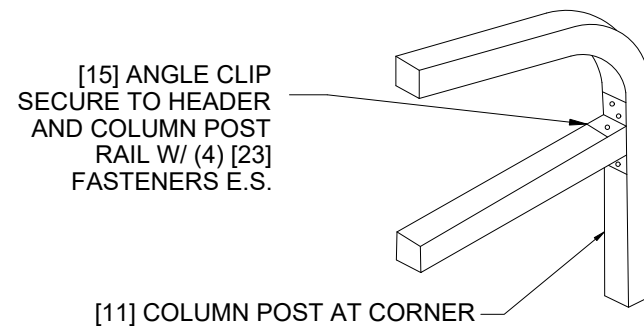
5. END WALL POST ABOVE HEADER CONN. DETAIL



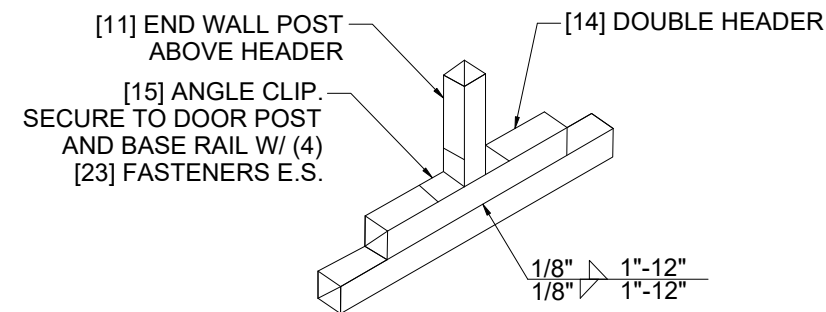
6. TYP. SERVICE DOOR/ WINDOW



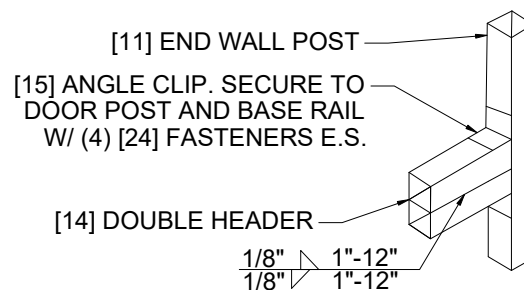
7. HEADER END WALL POST CONN. DETAIL



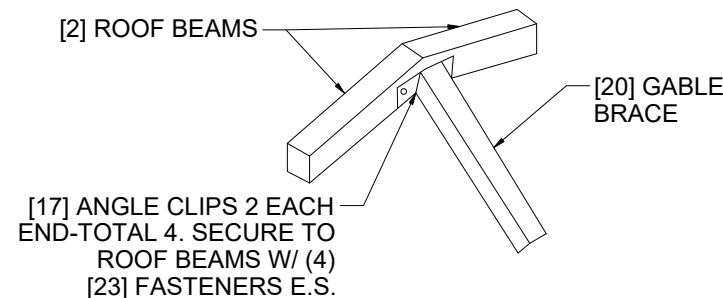
8. HEADER END WALL POST CONN. DETAIL



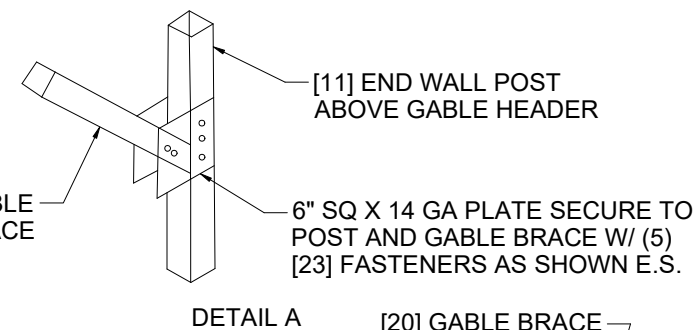
9. END WALL POST ABOVE DOUBLE HEADER CONN. DETAIL



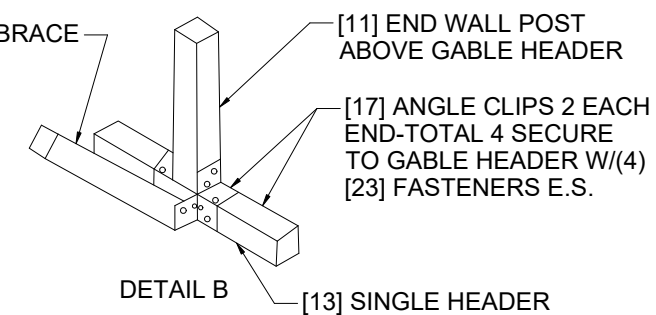
10. DOUBLE HEADER - END WALL POST CONN. DETAIL



11. TYP. GABLE BRACE CONN. DETAIL



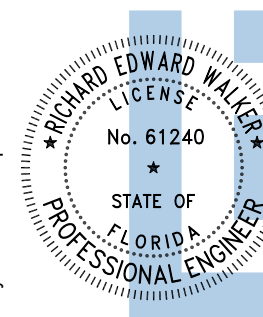
DETAIL A



DETAIL B

12. GABLE BRACE - END WALL CONN. DETAIL

This item has been digitally signed and sealed by Richard E. Walker, P.E. on the date adjacent to the seal. Printed copies of this document are not considered signed and sealed and the signature must be verified on any electronic copies.



Digitally signed by Richard E Walker  
Date: 2024.05.16 12:00:04-04'00'

FLORIDA ENGINEERING LLC  
4161 TAMAMI TRAIL, UNIT 101  
PORT CHARLOTTE, FLORIDA 33952  
(941) 391-5980  
FLEng.com  
Orders@FLEng.com



CA CERT. #30782

PROJECT NO. 2413539

CONTRACTOR: MARTINEZ CARPORTS LLC

PROJECT DESCRIPTION:

DROTOS  
254 SW. HERMITAGE GLEN,  
HIGH SPRINGS, FL. 32643

DESIGN DATE: 05/15/2024

REVISION 1: DATE

REVISION 2: DATE

DRAWN BY: JS

SCALE: NTS

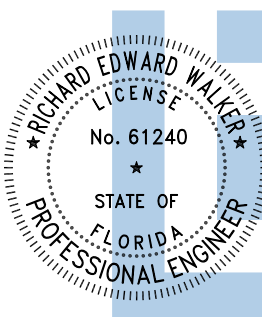
PAGE :

7

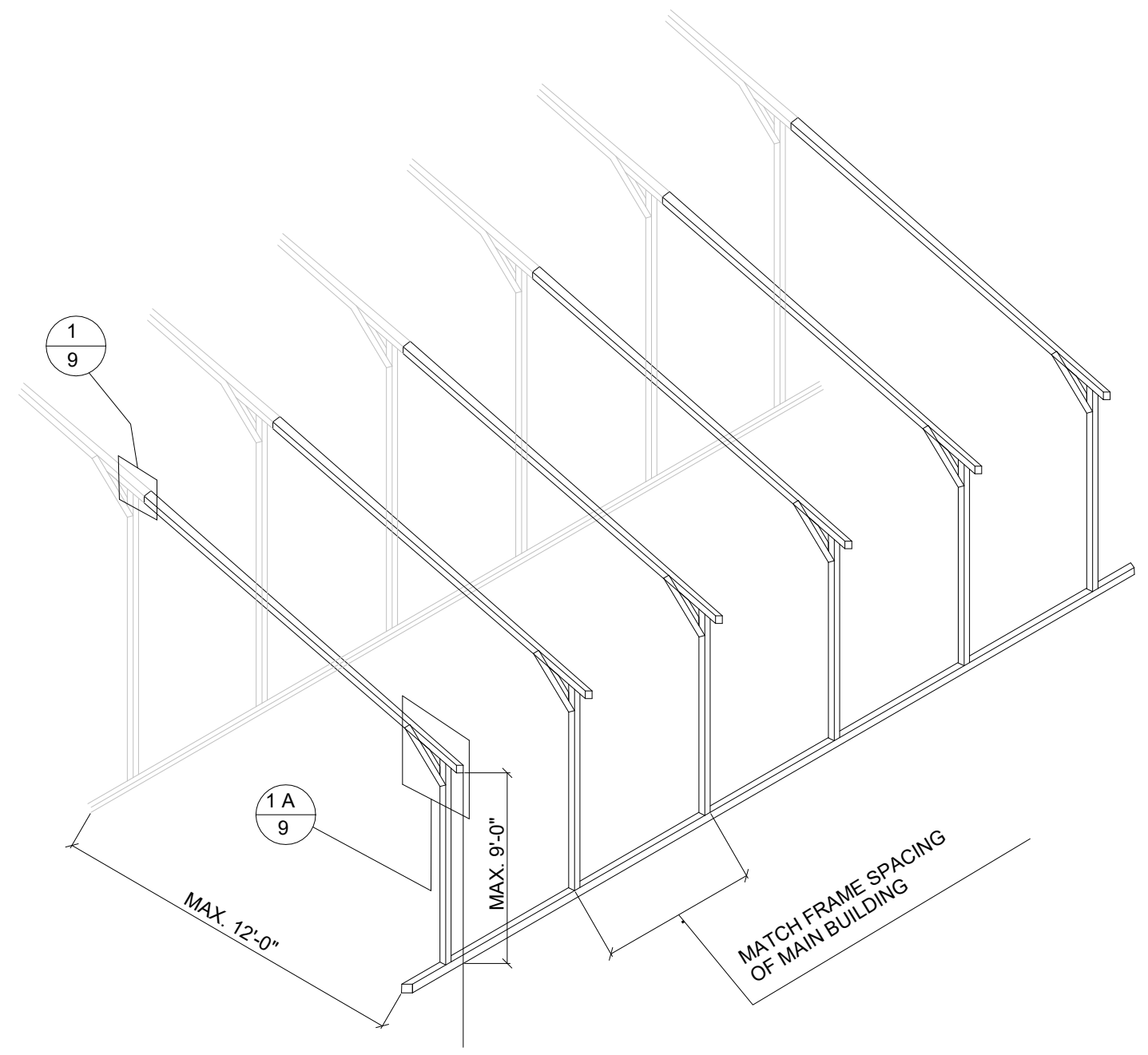
( ) BRACKETS DENOTE QUANTITY

[ ] BRACKETS DENOTE MEMBER, SEE LEGEND ON PG. 1

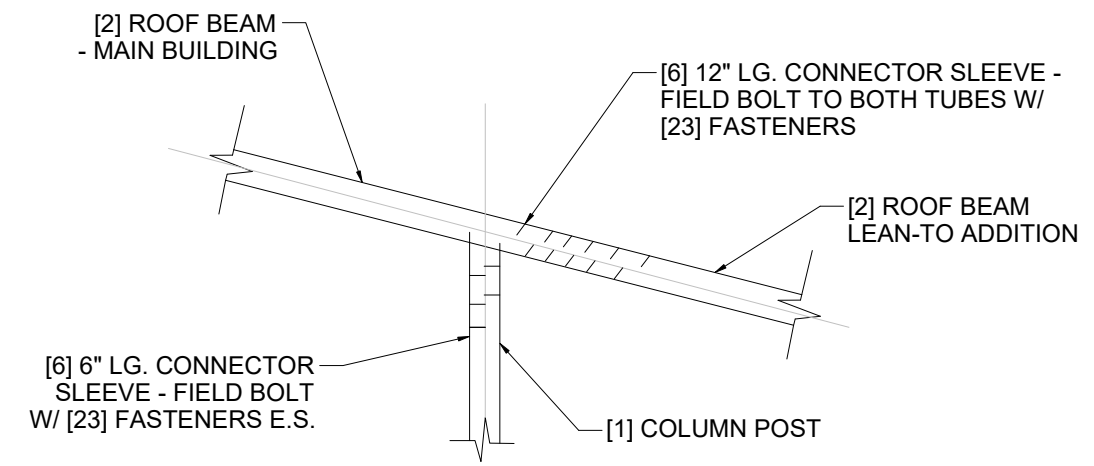
This item has been digitally signed and sealed by Richard E. Walker, P.E. on the date adjacent to the seal. Printed copies of this document are not considered signed and sealed and the signature must be verified on any electronic copies.



Digitally signed by Richard E Walker  
 Date: 2024.05.16 12:00:05-04'00'



OPTIONAL LEAN-TO ADDITION



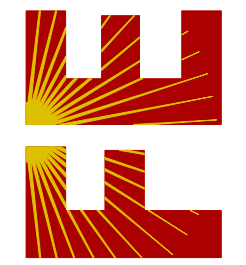
LEAN-TO ATTACHMENT DETAIL

LEAN-TO ADDITION NOTES:

- LEAN-TO ADDITION CAN BE ADDED ON EITHER OR BOTH SIDES OF THE BUILDING.
- ROOF SLOPE, PURLIN, GIRT AND FREAM SPACING OF THE ADDITION HAVE TO MATCH THAT OF THE MAIN STRUCTURE.
- IF THE LEAN-TO ADDITION IS "OPEN" ( BOTH END WALLS OR SIDE WALL IS NOT ENCLOSED), THE DESIGN OF THE MAIN BUILDING HAS TO USE THE FRAME SPACING OF 4'-0" MAX.

( ) BRACKETS DENOTE QUANTITY  
 [ ] BRACKETS DENOTE MEMBER, SEE LEGEND ON PG. 1

**FLORIDA ENGINEERING LLC**  
 4161 TAMiami TRAIL, UNIT 101  
 PORT CHARLOTTE, FLORIDA 33952  
 (941) 391-5980  
 FLEng.com  
 Orders@FLEng.com  
 CA CERT. #30782

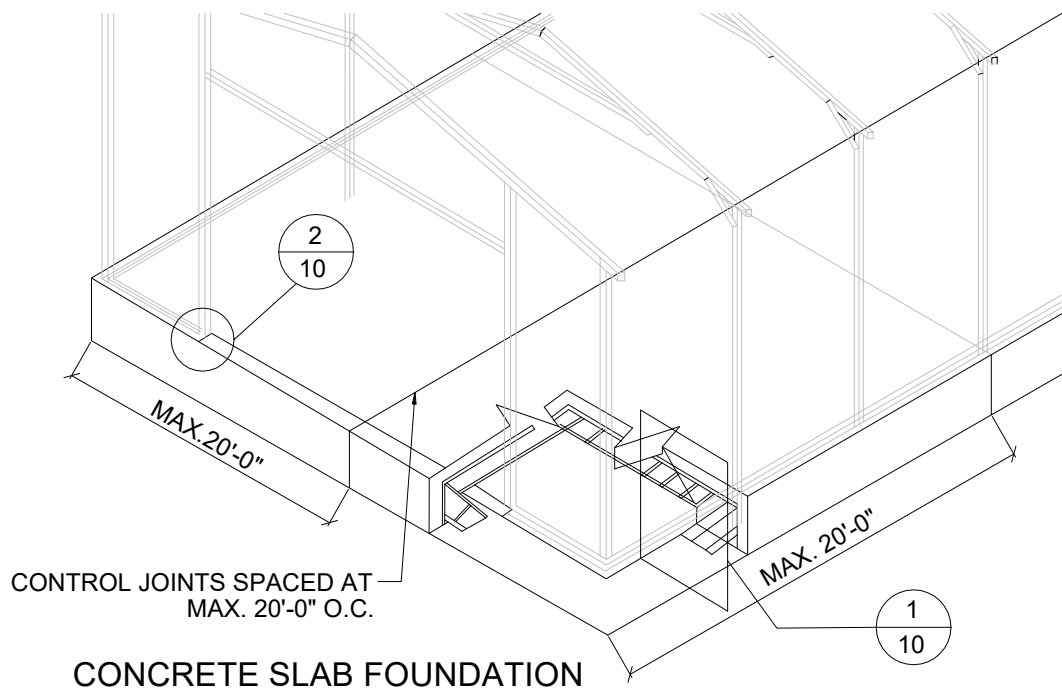


PROJECT NO. 2413539

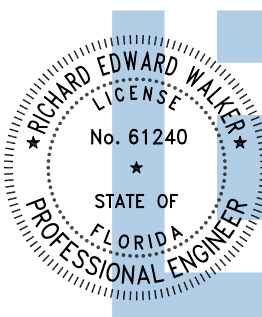
CONTRACTOR: MARTINEZ CARPORTS LLC	PROJECT DESCRIPTION: DROTOS 254 SW. HERMITAGE GLEN, HIGH SPRINGS, FL. 32643
DESIGN DATE: 05/15/2024	REVISION 1: DATE
REVISION 2: DATE	PAGE: 8
DRAWN BY: JS	SCALE: NTS

CONCRETE SLAB FOUNDATION NOTES:SLAB FOUNDATION NOTES

- DESIGN SHOWN ON THIS SHEET ARE FOR CONCRETE SLAB FOUNDATION.
- CONCRETE ANCHORS SHALL BE LOCATED NEXT TO EVERY POST AND ON EITHER SIDE OF OPENINGS. TWO ANCHORS SHALL BE INSTALLED AT CORNERS OF ENCLOSED BUILDING WITH END WALLS. ONE ON EACH BASE RAIL. IN LOCATIONS REQUIRING TWO ANCHORS DUE TO WIND, ONE ANCHOR IS TO BE ON EACH SIDE OF THE COLUMN POST.
- ANCHORS IN CLOSE PROXIMITY TO EACH OTHER MUST HAVE A MIN. 4" SPACING.
- MIN. NUMBER OF CONCRETE ANCHOR PER POST SHALL BE AS SHOWN.
- THE SIZE OF THE SLAB SHALL BE THE SIZE (WIDTH AND LENGTH) OF THE BUILDING PLUS  $5\frac{1}{2}$ " FOR 14GA MATERIAL. AND  $5\frac{3}{4}$ " FOR 12GA MATERIAL.
- DEPTH OF SLAB TURN DOWN FOOTING SHALL BE GREATER THAN FROST DEPTH SPECIFIED PER LOCAL CODE.
- CONTROL JOINTS SHALL BE PLACED SO AS TO LIMIT MAX. SLAB SPANS TO 20' IN EACH DIRECTION.
- ASSUMED SOIL BEARING CAPACITY IS TO BE A MIN. OF 1500 PSF.
- CONCRETE STRENGTH TO BE A MIN. OF 2500 PSI @ 28 DAYS.
- ANCHORS ARE TO BE 1/2" CONCRETE WEDGE OR EXPANSION ANCHORS.
- MIN. EMBEDMENT DEPTH TO BE  $2\frac{7}{8}$ ".
- ANCHORS TO BE SPACED NO MORE THAN 6" FROM POSTS.



This item has been digitally signed and sealed by Richard E. Walker, P.E. on the date adjacent to the seal. Printed copies of this document are not considered signed and sealed and the signature must be verified on any electronic copies.



Digitally signed by Richard E Walker  
Date: 2024.05.16 12:00:06-04'00'

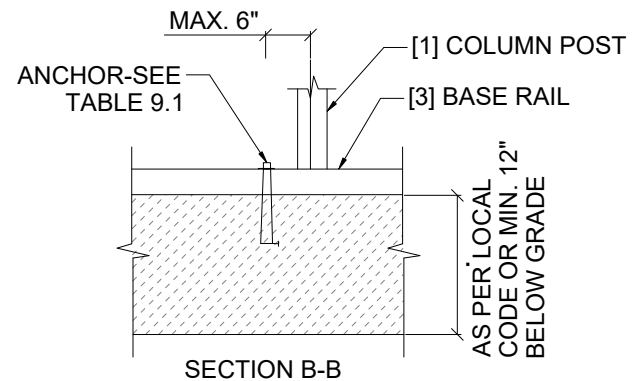
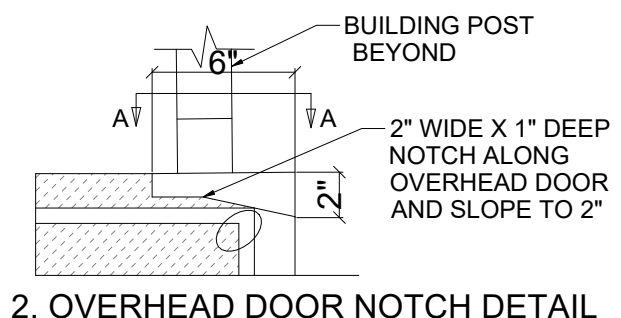
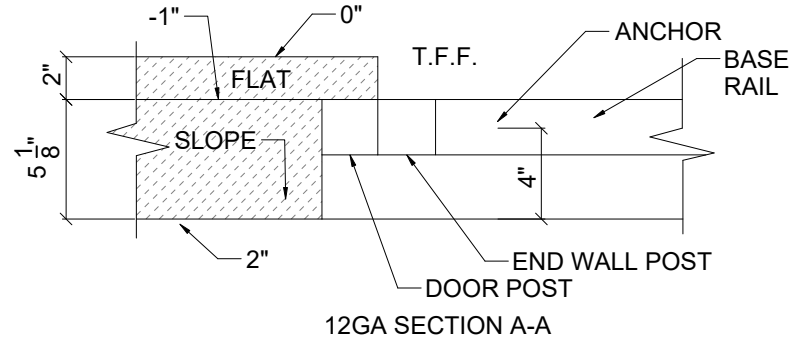
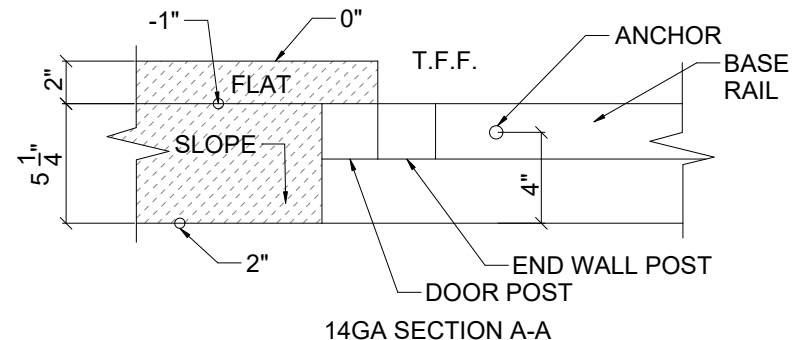
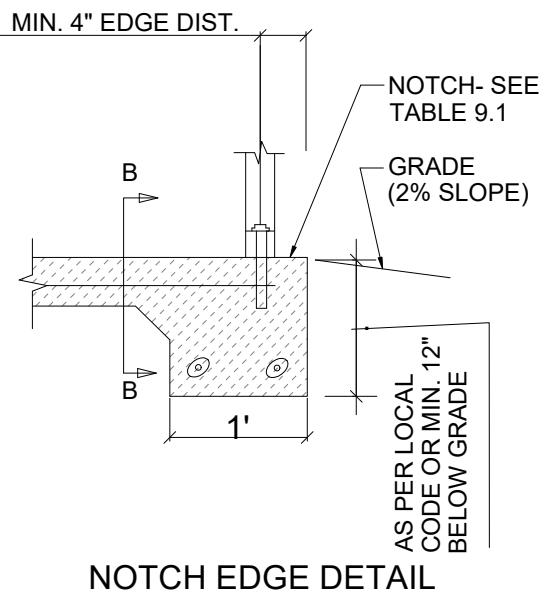
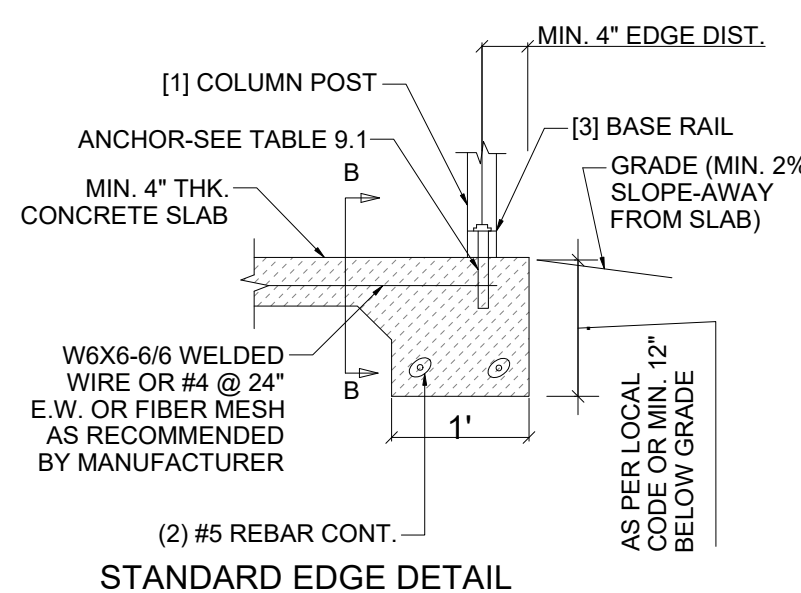


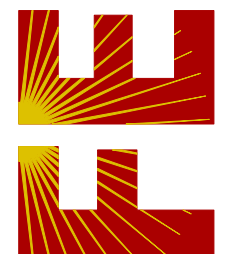
TABLE 9.1: NOTCH WIDTH

HORIZONTAL/OPEN		VERTICAL	
14GA	12GA	14GA	12GA
2.75"	2.875"	1.75"	1.875"

NOTE: DEPTH IS TO BE 1 1/2"

( ) BRACKETS DENOTE QUANTITY  
[ ] BRACKETS DENOTE MEMBER, SEE LEGEND ON PG. 1

FLORIDA ENGINEERING LLC  
4161 TAMiami TRAIL, UNIT 101  
PORT CHARLOTTE, FLORIDA 33952  
(941) 391-5980  
FLEng.com  
Orders@FLEng.com



CA CERT. #30762

PROJECT NO. 2413539

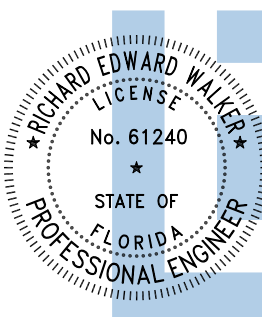
CONTRACTOR: MARTINEZ CARPORTS LLC

PROJECT DESCRIPTION:  
DROTOS  
254 SW. HERMITAGE GLEN,  
HIGH SPRINGS, FL. 32643

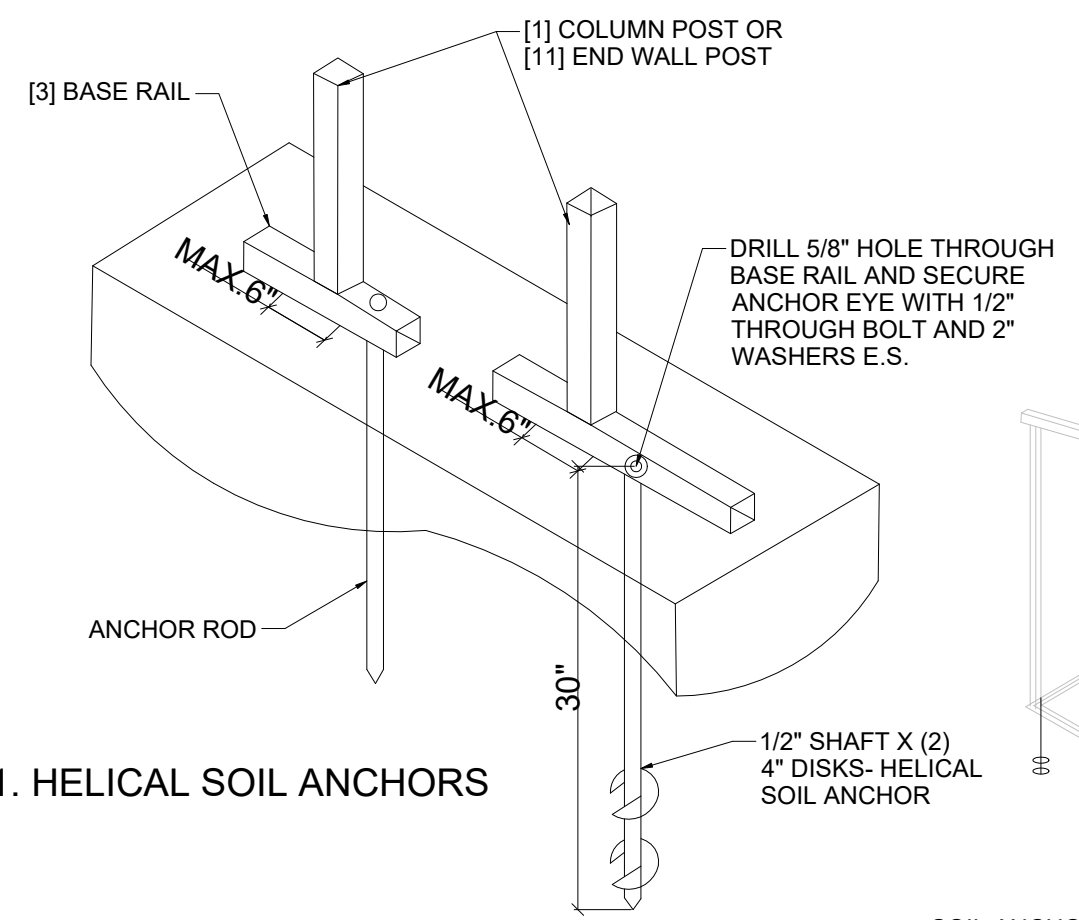
DESIGN DATE: 05/15/2024  
REVISION 1: DATE  
REVISION 2: DATE  
DRAWN BY: JS  
SCALE: NTS

PAGE: 9

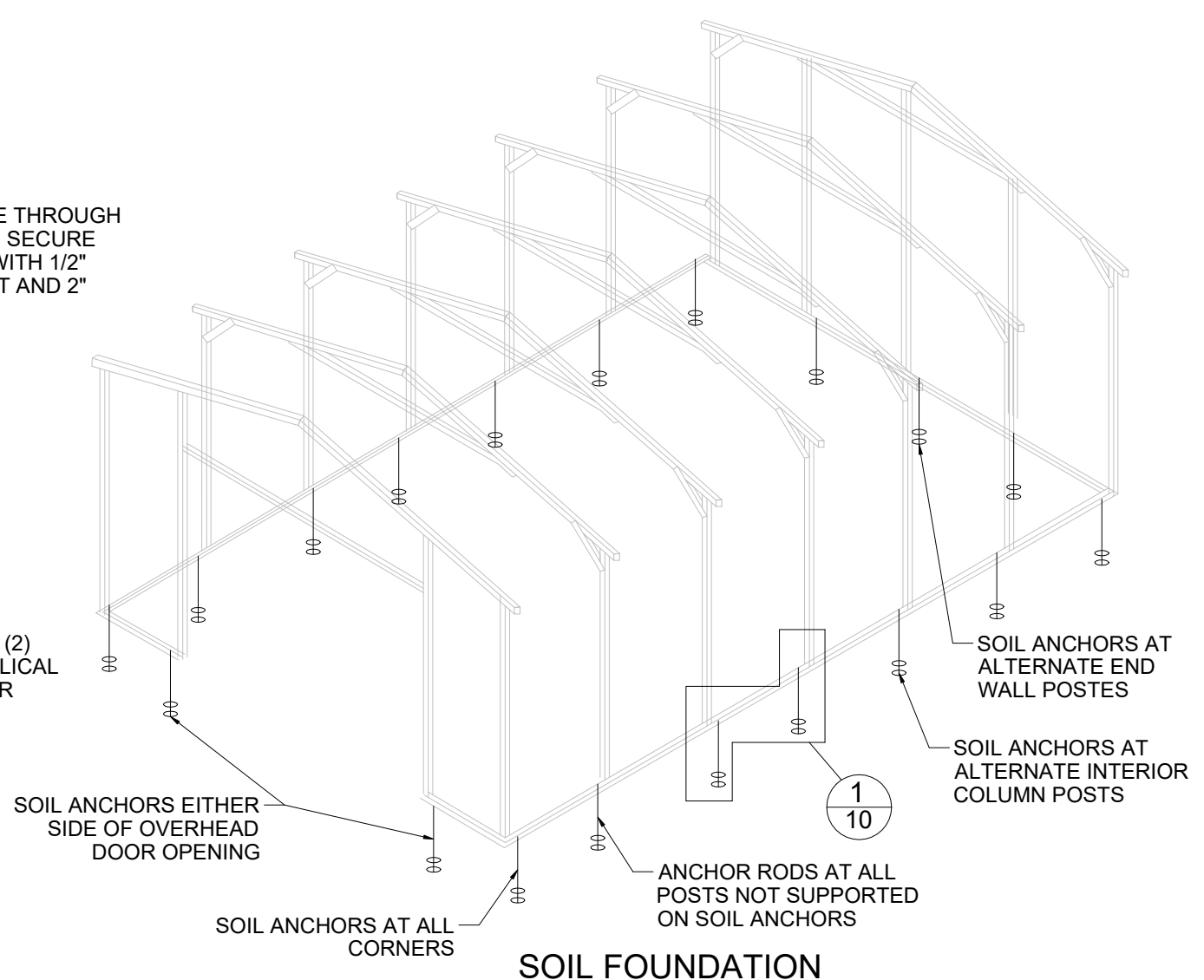
This item has been digitally signed and sealed by Richard E. Walker, P.E. on the date adjacent to the seal. Printed copies of this document are not considered signed and sealed and the signature must be verified on any electronic copies.



Digitally signed by Richard E Walker  
Date: 2024.05.16 12:00:06-04'00'



**1. HELICAL SOIL ANCHORS**



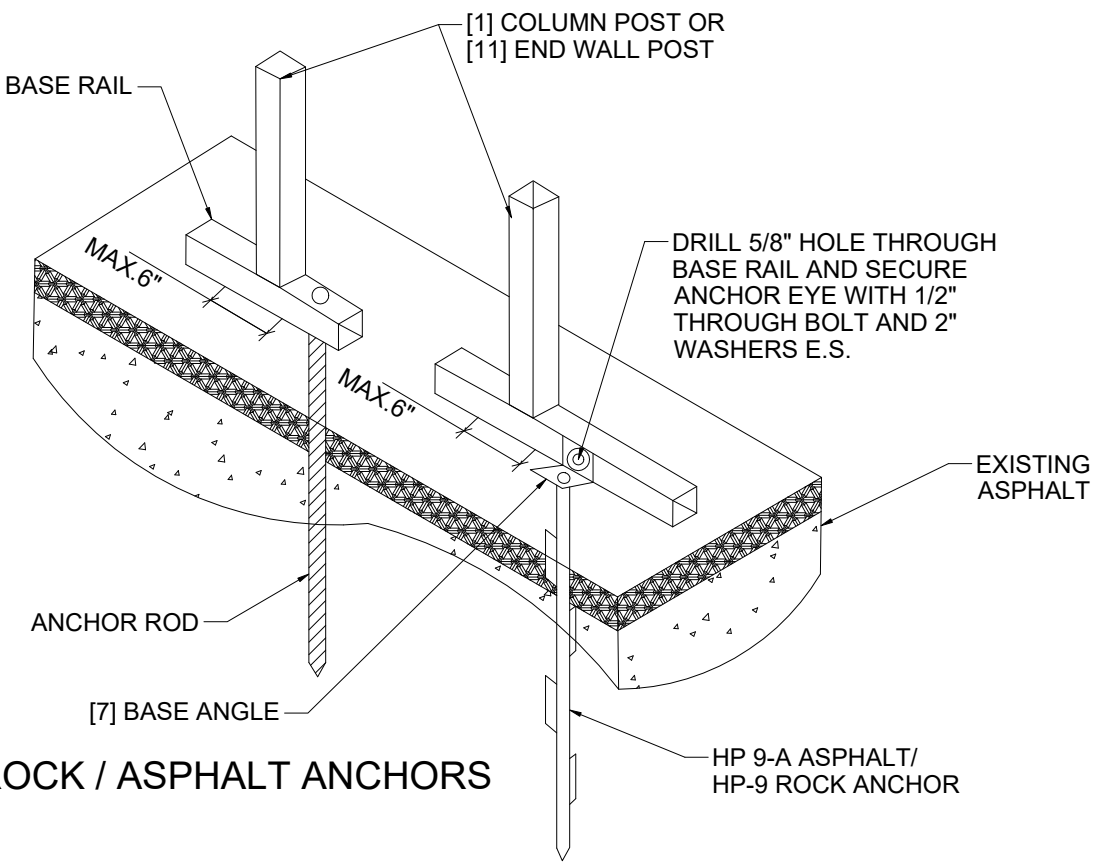
**SOIL FOUNDATION**

**SOIL FOUNDATION NOTES: FOUNDATION NOTES:**

- DESIGNS SHOWN ON THIS SHEET ARE FOR SOIL ANCHOR FOUNDATION.
- SOIL ANCHOR (HELICAL OR ROCK/ASPHALT) SHALL BE LOCATED AT ALL 4 CORNERS, ON EACH SIDE OF OVERHEAD DOOR OPENING. ON POSTS WITH DIAGONAL BRACING IF REQUIRED. AND ON ALTERNATE INTERIOR COLUMN POSTS AND END WALLS POSTS.
- HELICAL ANCHOR ARE TO BE USE ONLY IF THE DRIVING TORQUE INTO THE GROUND IS 150 FT-LBS OR GREATER. MANUFACTURER IS NOT RESPONSIBLE FOR SOIL QUALITY AT SITE.
- HELICAL ANCHOR CAN ONLY BE USED FOR CLASS 2, 3 & 4 SOILS (SEE SOIL CLASSIFICATION THIS PAGE)
- ALL POSTS WITH NO ANCHORS ADJACENT SHALL BE ANCHORED TO THE GROUND WITH A 1/2" X 30" LG. ROD. RODS WILL HAVE A PRE-FORMED HEAD AT THE TOP AND ONE COAT OF RUST PROOF MATERIAL.
- ASSUME SOIL BEARING CAPACITY IS TO BE A MIN. OF 1500 PSF.

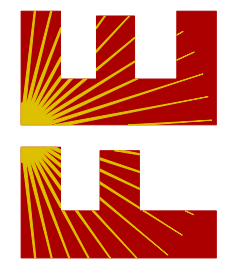
**SOIL CLASSIFICATIONS**

SOIL CLASS	DESCRIPTION
2	SANDY GRAVEL AND GRAVEL, VERY THIN DENSE AND/OR CEMENTED SANDS.
3	SAND, SILTY SAND, CLAYEY SAND, SILTY GRAVEL, MEDIUM DENSE COARSE SAND, SANDY GRAVEL, VERY STIFF SILT AND SANDY CLAYS.
4	LOOSE TO MEDIUM DENSE SAND, FIRM TO STIFF CLAYS AND SILTS AND ALLUVIAL FILLS.



**2. ROCK / ASPHALT ANCHORS**

**FLORIDA ENGINEERING LLC**  
4161 TAMiami TRAIL, UNIT 101  
PORT CHARLOTTE, FLORIDA 33952  
(941) 391-5980  
FLEng.com  
Orders@FLEng.com  
CA CERT. #30782



PROJECT NO. 2413539

CONTRACTOR:  
**MARTINEZ CARPORTS LLC**

PROJECT DESCRIPTION:  
**DROTOS**  
254 SW. HERMITAGE GLEN,  
HIGH SPRINGS, FL. 32643

DESIGN DATE:	05/15/2024
REVISION 1:	DATE
REVISION 2:	DATE
DRAWN BY:	JS
SCALE:	NTS

( ) BRACKETS DENOTE QUANTITY  
[ ] BRACKETS DENOTE MEMBER, SEE LEGEND ON PG. 1