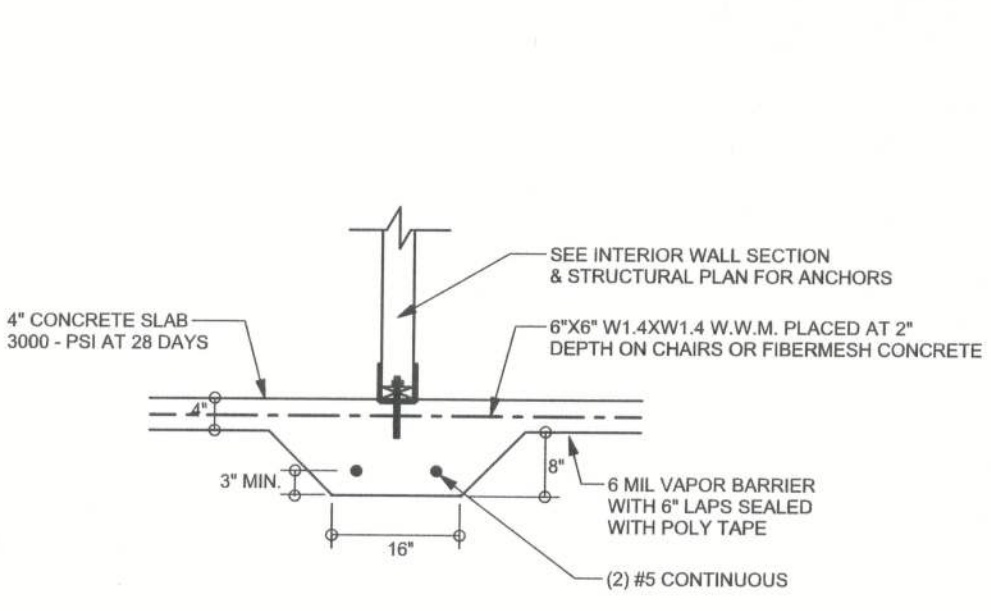
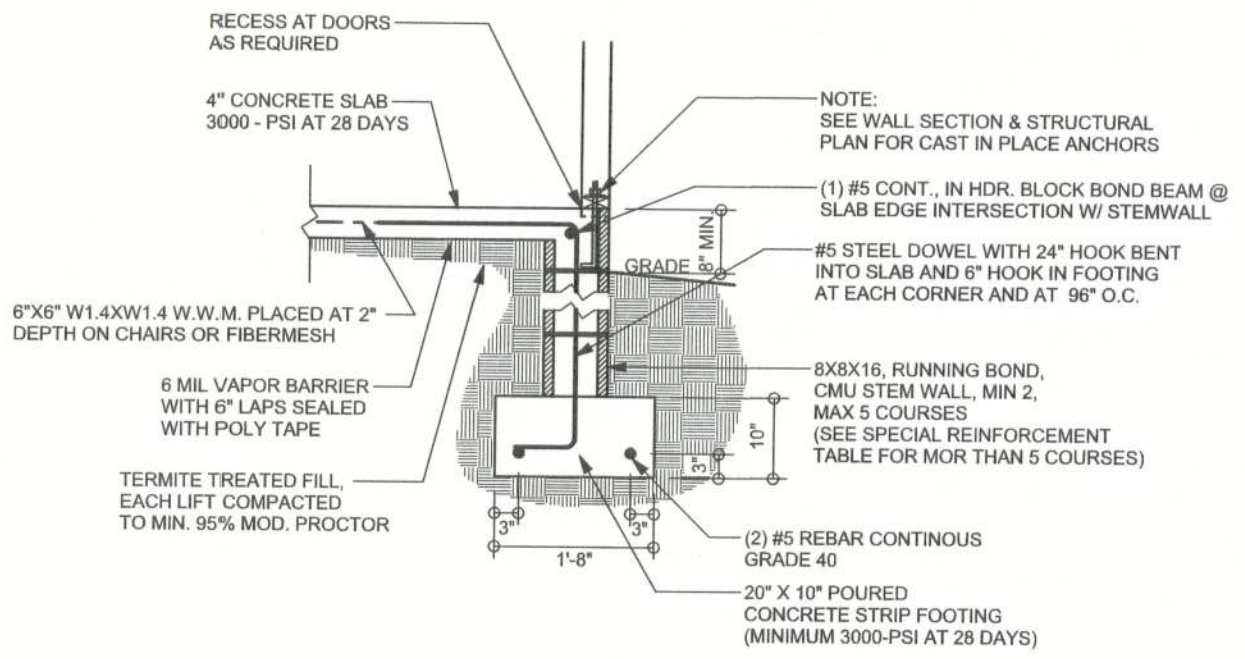


REVISIONS	

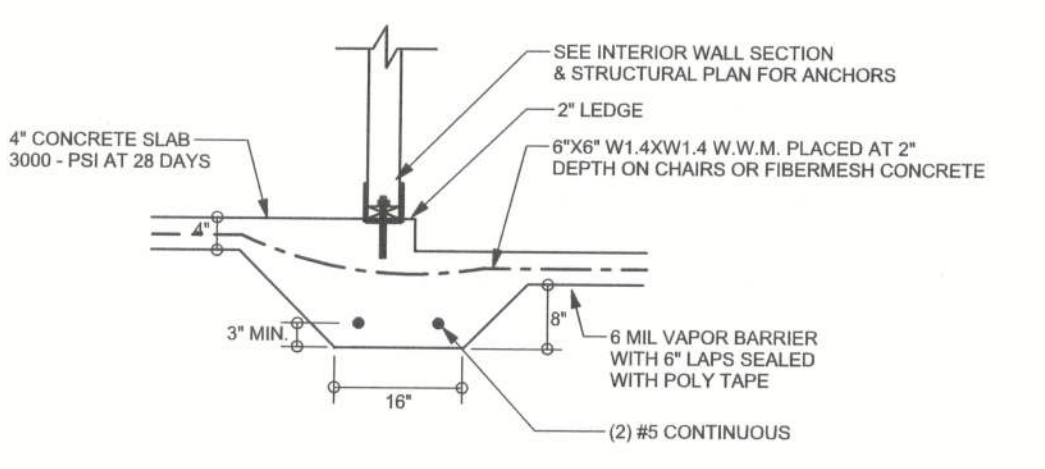
SOFTPLAN
ARCHITECTURAL DESIGN SOFTWARE



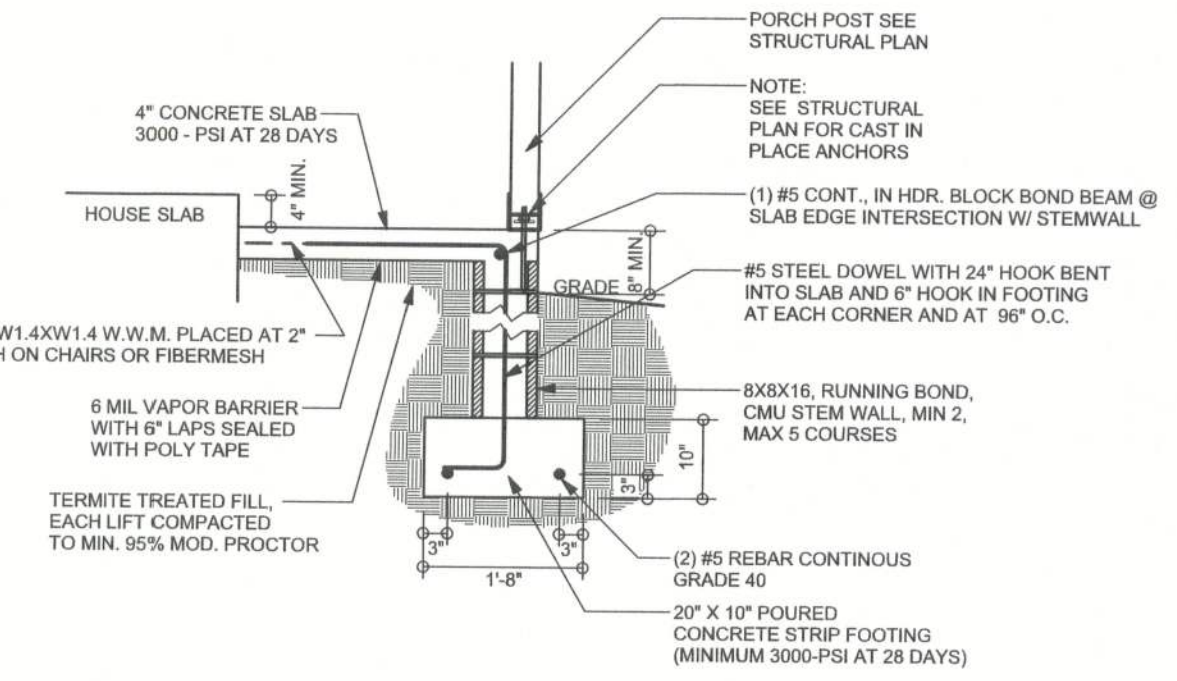
F2
S-2 INTERIOR BEARING FOOTING
SCALE: 1/2" = 1'-0"



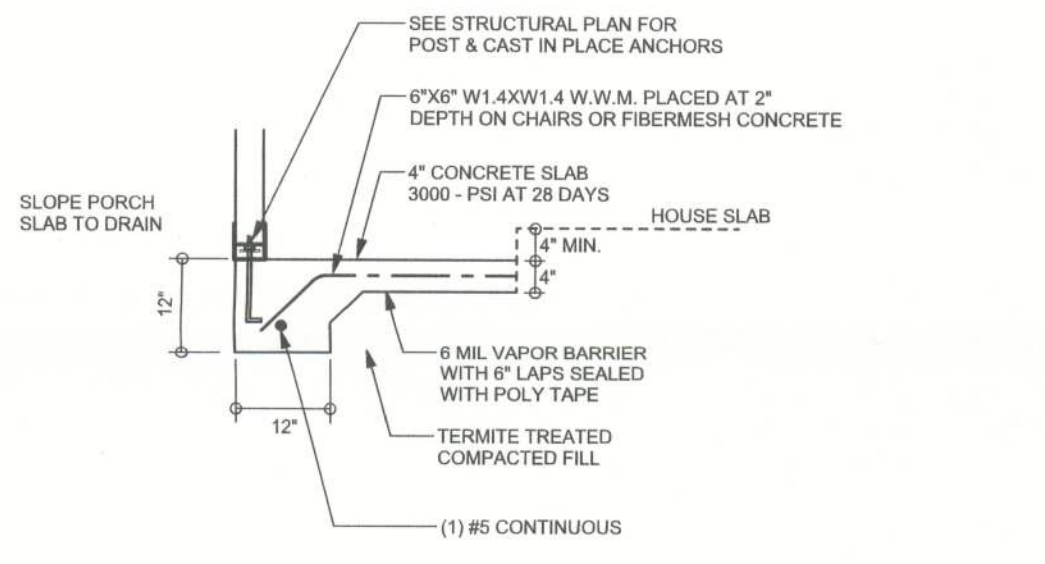
F9
S-2 STEM WALL FOOTING
SCALE: 1/2" = 1'-0"



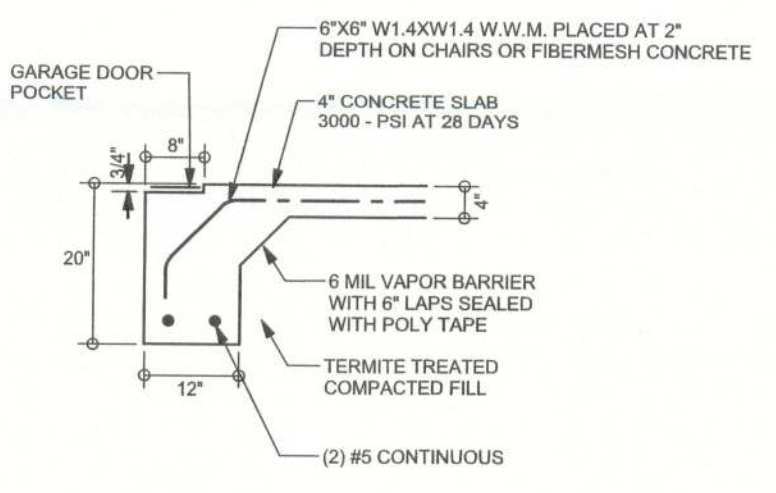
F3
S-2 INTERIOR BEARING STEP FOOTING WITH 2" LEDGE
SCALE: 1/2" = 1'-0"



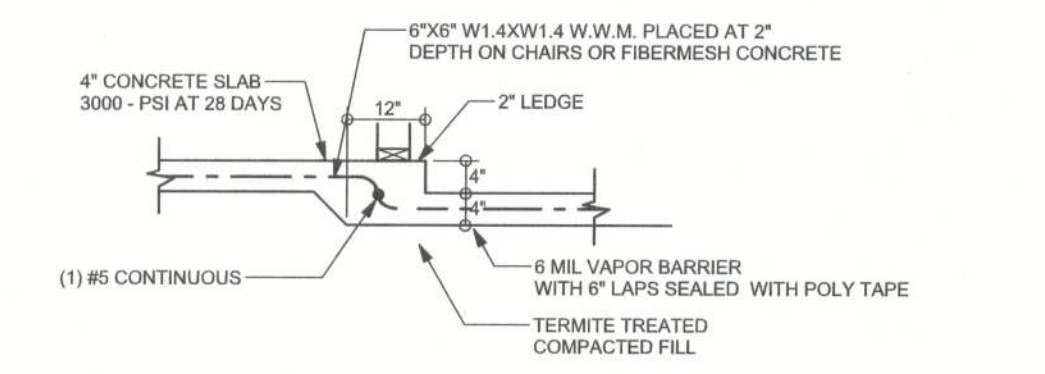
F12
S-2 ALT. STEM WALL PORCH FOOTING
SCALE: 1/2" = 1'-0"



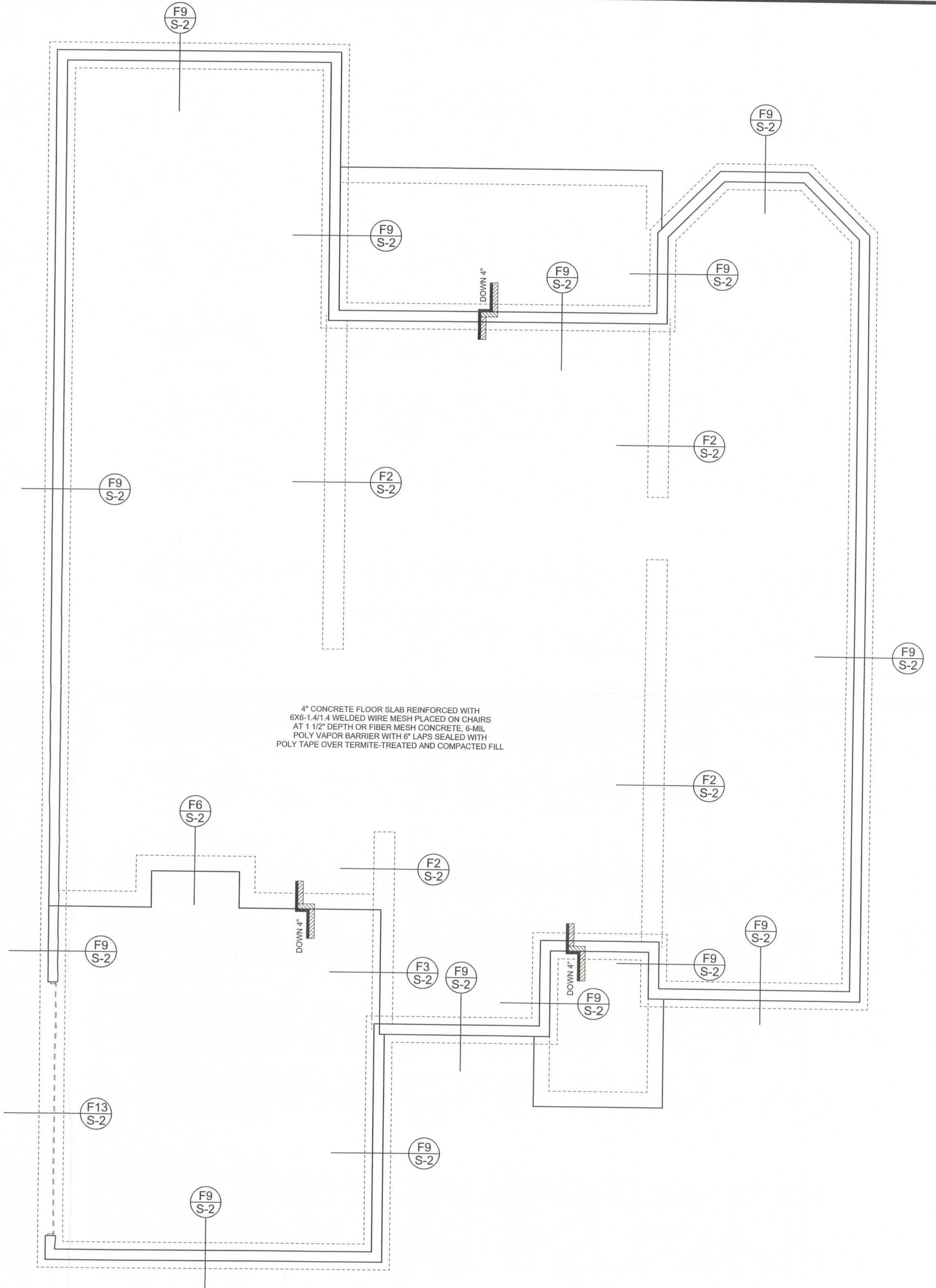
F5
S-2 PORCH FOOTING
SCALE: 1/2" = 1'-0"



F13
S-2 ALT. STEM WALL GARAGE DOOR FOOTING
SCALE: 1/2" = 1'-0"



F6
S-2 TYPICAL NON-BEARING STEP FOOTING
SCALE: 1/2" = 1'-0"



FOUNDATION PLAN
SCALE: 3/16" = 1'-0"
DIMENSIONS ON STRUCTURAL SHEETS ARE NOT EXACT. REFER TO ARCHITECTURAL FLOOR PLAN FOR ACTUAL DIMENSIONS

WINDLOAD ENGINEER: Mark Discosway, P.E. No. 53915, P.O. Box 868, Lake City, FL 32056, 386-754-6419
DIMENSIONS: Stated dimensions supersede scaled dimensions. Refer all questions to Mark Discosway, P.E. for resolutions. Do not proceed without clarification.
COPYRIGHTS AND PROPERTY RIGHTS: Mark Discosway, P.E. hereby expressly reserves its common law copyrights and property right in these instruments of service. This document is not to be reproduced, altered or copied in any form or manner without first the express written permission and consent of Mark Discosway.
CERTIFICATION: I hereby certify that I have examined this plan, and that the applicable portions of the plan, relating to wind engineering comply with section 1606, Florida building code 2001, to the best of my knowledge.
LIMITATION: This design is valid for one building, at specified location.
MARK DISCOSWAY
P.E. 53915
27 SEP 05
SEAL

ERKINGER BUILDERS
Phillip & Cathy Wooley Residence
ADDRESS: 099-02-000 Columbia County, Florida
Mark Discosway P.E. P.O. Box 868 Lake City, Florida 32056 Phone: (386) 754 - 5419 Fax: (386) 269 - 4871
PRINTED DATE: September 27, 2005
DRAWN BY: David Discosway CHECKED BY:
FINALS DATE: 20 / Sep / 05
JOB NUMBER: 508031
DRAWING NUMBER: **S-2**
OF 6 SHEETS