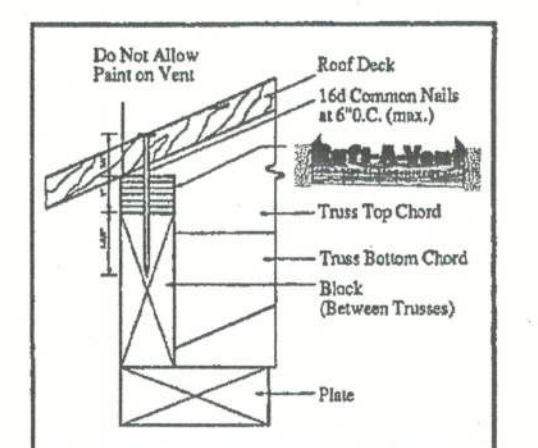
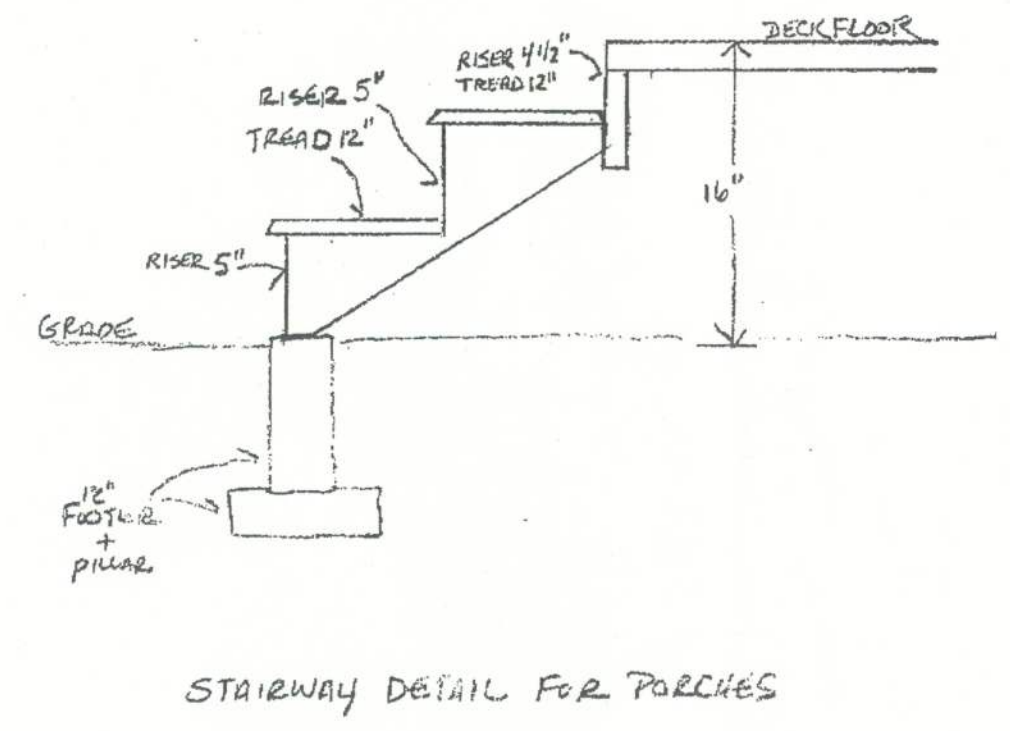
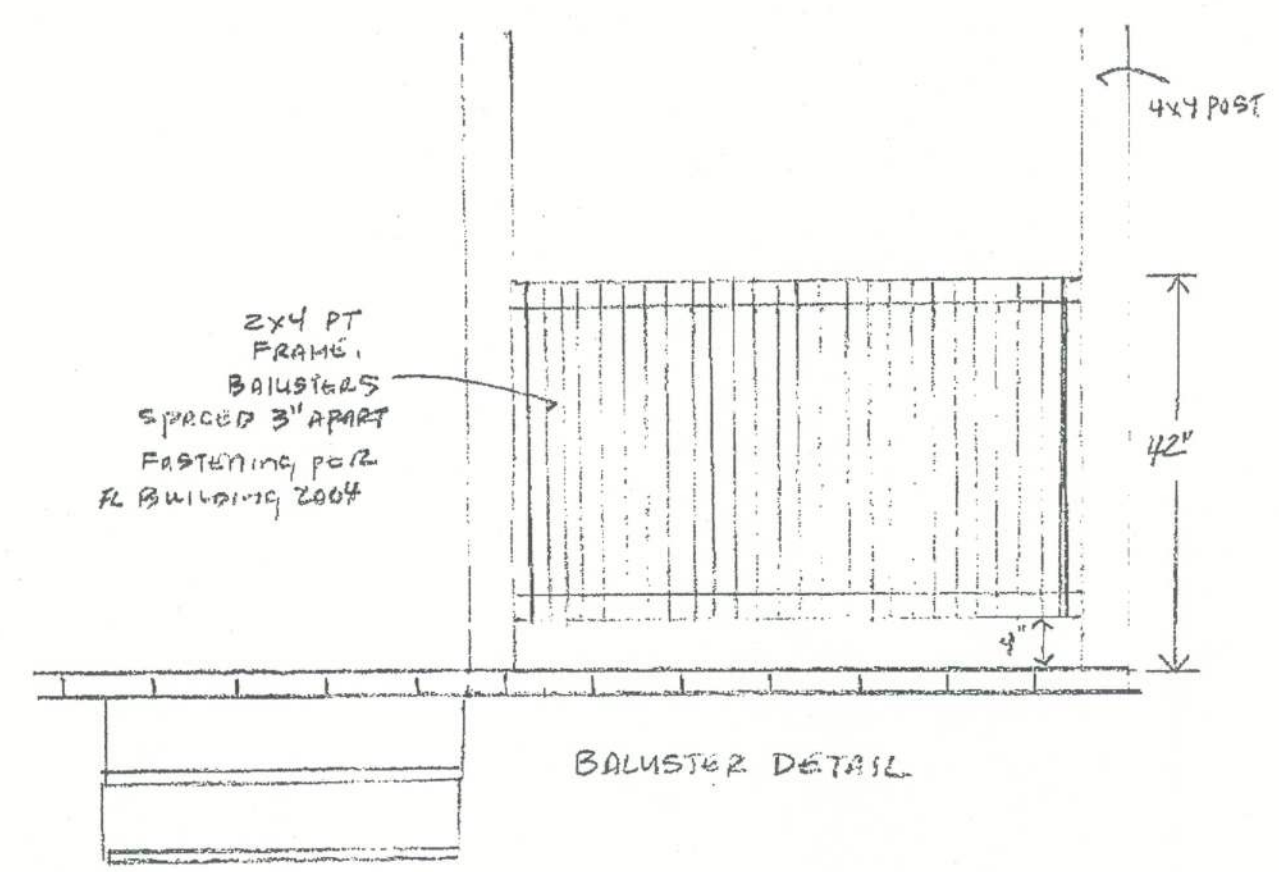


INTERIOR DOOR SCHEDULE FOR THE MOCKINGBIRD

MANUFACTURER- MASONITE. ALL PREHUNG

1. MBR CLOSET - MASONITE 6 PANEL- 2/8
2. MBR BATH - MASONITE 6 PANEL 2/8
3. MBR CLOSET - MASONITE BIFOLD 2/8
4. MBR ENTRANCE- MASONITE 6 PANEL 2/8
5. BEDROOM 1 ENTRANCE- MASONITE 6 PANEL 2/8
6. BEDROOM 1 CLOSET- MASONITE BIFOLD 2/6
7. BEDROOM 2 ENTRANCE- MASONITE 6 PANEL 2/8
8. BEDROOM 2 CLOSET- MASONITE BIFOLD 2/6
9. BEDROOM 3 ENTRANCE- MASONITE 6 PANEL 2/8
10. BEDROOM 3 CLOSET - MASONITE BIFOLD 2/6
11. BATH ENTRANCE- MASONITE 6 PANEL 2/8
12. DEN ENTRANCE- MASONITE 6 PANEL 2/8
13. KITCHEN ENTRANCE - 60" OPENING



Detail A
FROM U.B.C. TABLE NO. 25-G
(Latest Approved Revisions to Local Building Code):
Safe Lateral Strength And Required Penetration of Box And Common Wire Nails Driven Perpendicular to Grain of Wood.

SIZE OF NAIL	STANDARD MIN. PENETRATION	MIN. EDGE DISTANCE	MIN. END DISTANCE		
			Parallel to Grain	Perpendicular to Grain	Other
16d	1 1/2	1 1/4	1 1/4	4d	
14d	1 1/4	1 1/4	1 1/4	3d	
12d	1 1/4	1 1/4	1 1/4	2d	
10d	1 1/4	1 1/4	1 1/4	1 1/2	
8d	1 1/4	1 1/4	1 1/4	1 1/2	

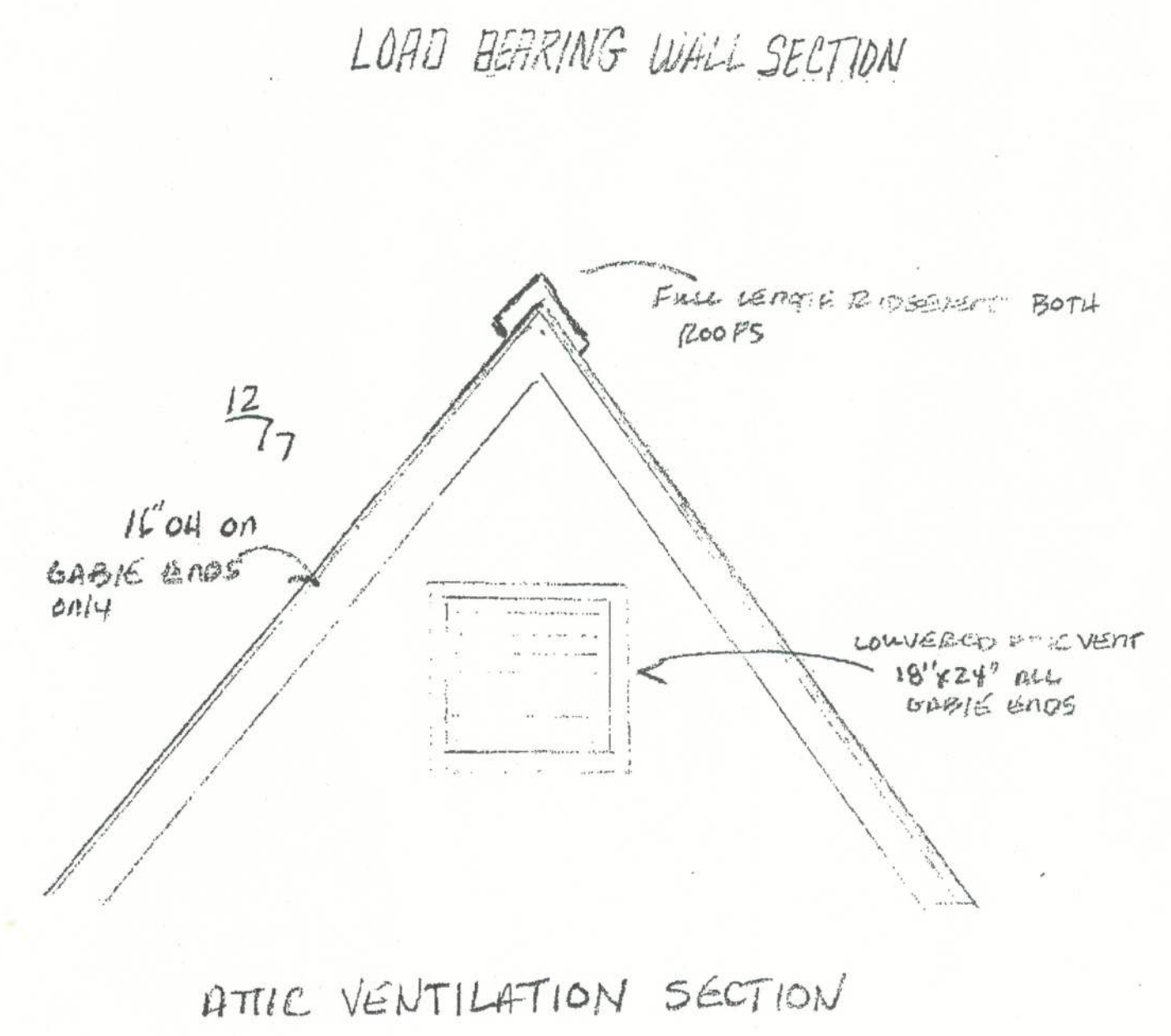
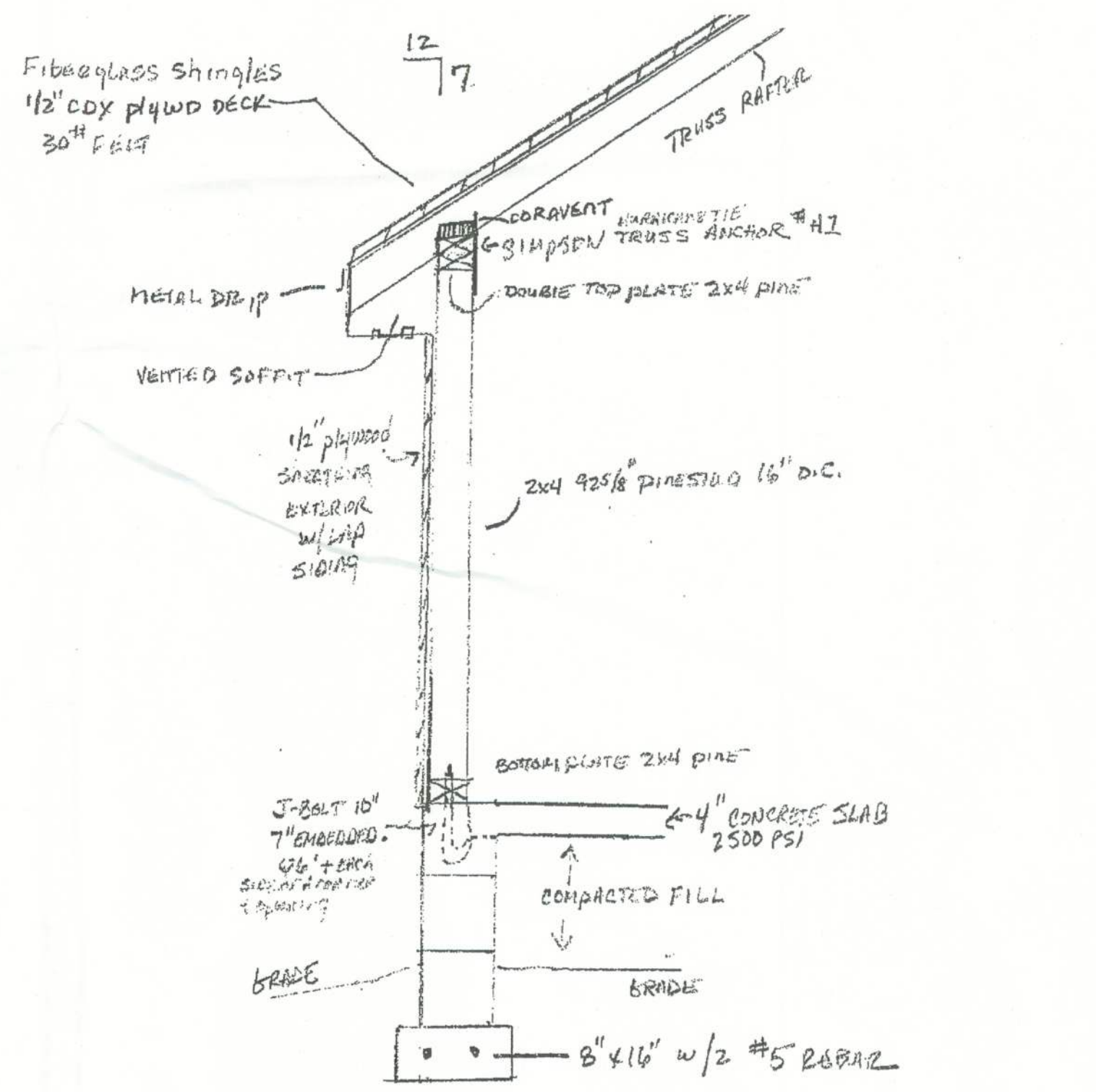
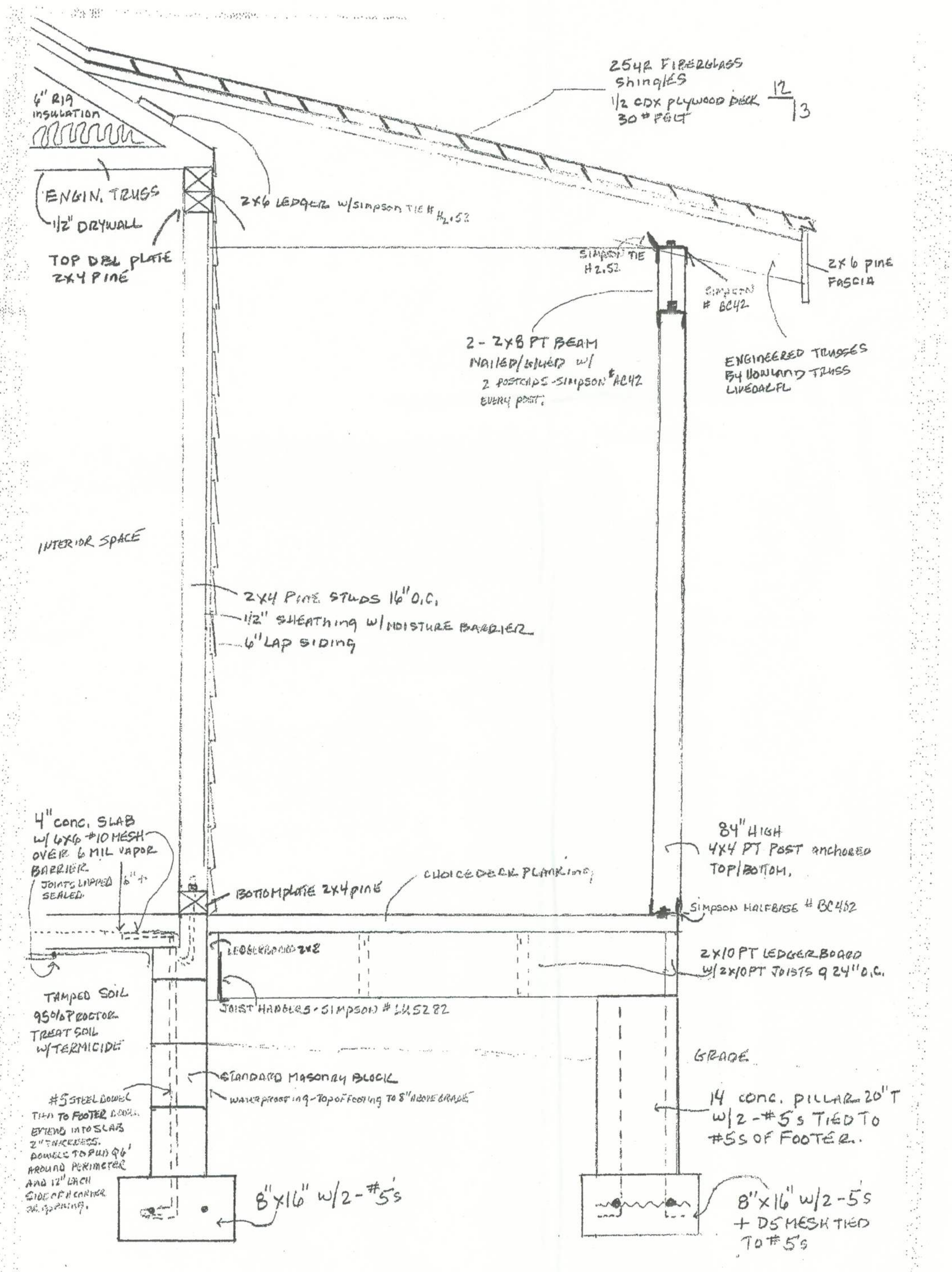
Wall/Roof Junction (Refer to Detail A):
Assume unblocked roof diaphragm.
Refer to U.B.C. table 25-11, Case 1: For 8d @ 6\"/>

Summary:
Replacing 8d nails at the roof diaphragm boundary shown in Detail A with 16d nails at same spacing, but driven through a one inch thick section of COR-A-VENT; Provides horizontal shear transfer at least as great as outlined in the U.B.C. code for the 8d nails. U.B.C. code must be adhered to for nail spacing and penetration. Alternate solution: If COR-A-VENT is located elsewhere then retain the one inch space above the block with 16d nails as shown on Detail A.



FROM U.B.C. TABLE NO. 25-11 (Latest Approved Revisions to Local Building Code):
Allowable Shear in Pounds per Foot for Horizontal Plywood Diaphragms with Framing of Douglas Fir-Larch or Southern Pine.

PLYWOOD GRADE	COMMON NAIL SIZE	SPACING	MINIMUM END DISTANCE	BLOCKED DIAPHRAGM			UNBLOCKED DIAPHRAGM			
				6	4	2	6	4	3	
STRUCTURAL I	6d	1-1/4	5/8	2	185	250	375	420	165	125
	8d	1-1/2	5/8	2	270	360	540	600	240	180
	10d	1-5/8	5/8	2	300	400	600	675	265	200



EXTERIOR WINDOW AND DOOR SCHEDULE FOR THE MOCKINGBIRD

1. MBR- PELLA THERMASTAR 3/0 - 5/0
2. MBR- PELLA THERMASTAR 3/0 - 5/0
3. BEDROOM 1 - PELLA THERMASTAR 3/0 - 5/0
4. BEDROOM 2 - PELLA THERMASTAR 3/0 - 5/0
5. BEDROOM 3 - PELLA THERMASTAR 3/0 - 5/0
6. BEDROOM 3 - PELLA THERMASTAR 3/0 - 5/0
7. BATH - PELLA THERMASTAR 3/0 - 4/0
8. ENTRANCE DOOR- BETTERBILT F/G 3/0
9. DEN - PELLA THERMASTAR 3/0 - 5/0
10. DEN - PELLA THERMASTAR 3/0 - 5/0
11. DINING - PELLA THERMASTAR 3/0 - 4/0
12. DINING - PELLA THERMASTAR 3/0 - 4/0
13. DINING - PELLA THERMASTAR 3/0 - 4/0
14. DINING - PELLA THERMASTAR 3/0 - 4/0
15. KITCHEN - PELLA THERMASTAR 4/0 - 2/0
16. KITCHEN - PELLA THERMASTAR 4/0 - 2/0
17. UTILITY - PELLA THERMASTAR 3/0 - 2/0
18. UTILITY ENTRANCE - BETTERBILT F/G 3/0
19. BACK DOOR ENTRANCE - BETTERBILT F/G 3/0
20. GREAT ROOM - PELLA THERMASTAR 3/0 - 5/0
21. GREAT ROOM - PELLA THERMASTAR 3/0 - 5/0
22. GREAT ROOM - PELLA THERMASTAR 3/0 - 5/0
23. MBR ENTRANCE DOOR- BETTERBILT F/G 2/8
24. MBATH - GLASSBLOCK 40-3/0