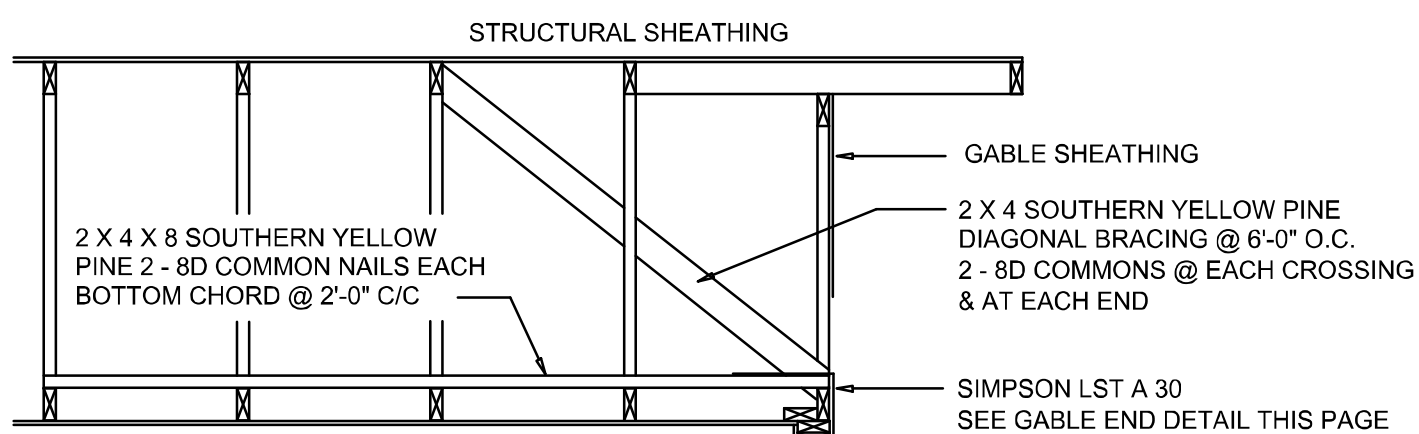


GABLE END GYPSUM DIAPHRAGM HOLDOWN CONNECTOR

SCALE: NONE

A.1



END WALL BRACING FOR CEILING DIAPHRAGM

NTS (ALTERNATIVE TO BALLOON FRAMING)

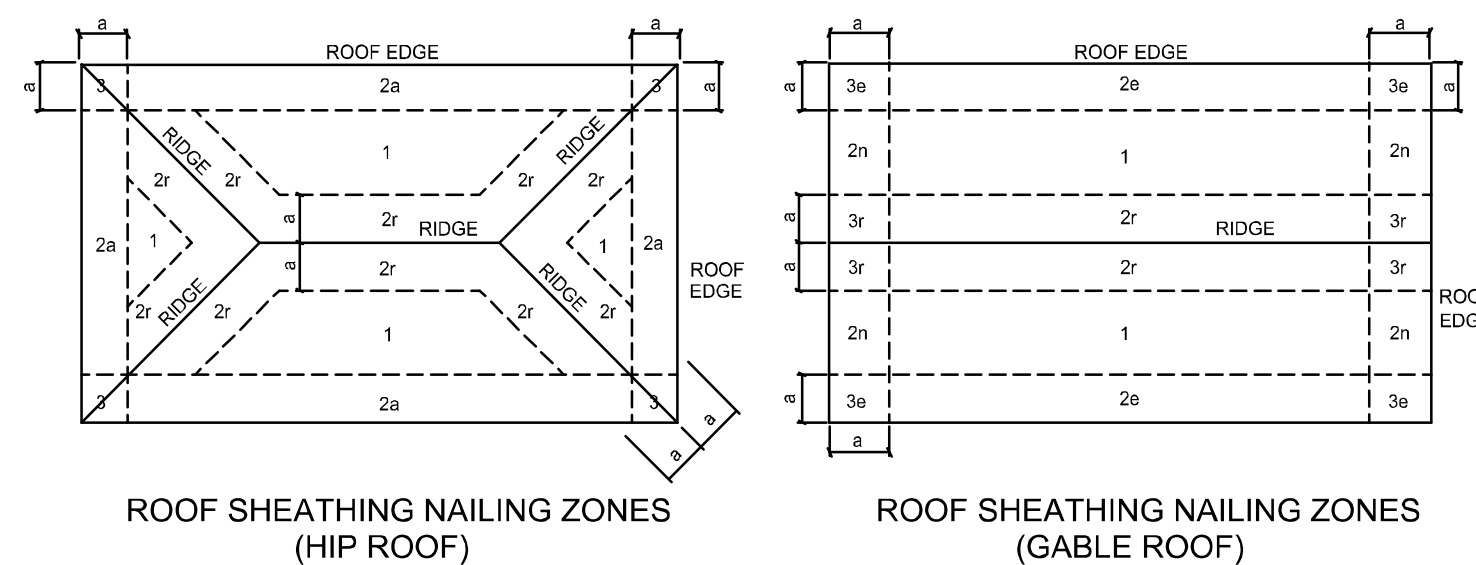
NOTE: ALL WOOD TO BE NUMBER 2 GRADE SOUTHERN YELLOW PINE

A

ZONE	HEIGHT (FT.)	Vult 15 MPH		Vult 30 MPH		Vult 50 MPH		Vult 100 MPH	
		Pos	Neg	Pos	Neg	Pos	Neg	Pos	Neg
1	10	10.2	-20.3	11.1	-22.1	13	-26	15.1	-30.1
1	20	10	-18	10	-19.6	11.3	-23	13.1	-26.7
1	30	10	-16	10	-17.3	10	-19.2	10.6	-22.2
1	100	10	-12.7	10	-13.9	10	-15.2	10	-16.6
2	10	10.2	-20.2	11.1	-22.0	13	-25.9	15.1	-29.9
2	20	10	-18.1	10	-20.3	11.3	-24.4	13.1	-28.3
2	30	10	-15.9	10	-17.9	10	-19.1	10.6	-21.6
2	100	10	-11.9	10	-12.9	10	-14.1	10	-15.6
3	10	10.2	-20.0	11.1	-21.9	13	-25.8	15.1	-29.8
3	20	10	-17.9	10	-19.9	11.3	-23.4	13.1	-26.4
3	30	10	-15.7	10	-17.7	10	-18.9	10.6	-21.2
3	100	10	-11.7	10	-12.7	10	-13.9	10	-15.4
4	10	14.3	-15.5	15.5	-16.8	18.2	-19.4	21.2	-23.6
4	20	13.0	-14.8	14.8	-16.1	17.4	-19	20.2	-22
4	30	12.6	-14	13.9	-15.2	16.3	-17.9	19	-20.7
4	100	12.1	-13.3	13.2	-14.5	15.5	-17.1	18	-19.8
5	10	10.6	-11.9	11.6	-12.9	13.6	-15.1	15.8	-17.6
5	20	10.3	-11.1	11.1	-12.1	12.6	-14.4	14.8	-16.6
5	30	10.1	-10.8	10.8	-11.8	12.3	-14.1	14.5	-16.3
5	100	10.1	-10.8	10.8	-11.8	12.3	-14.1	14.5	-16.3

ROOF SHEATHING FASTENINGS			
NAILING ZONE	SHEATHING TYPE	FASTENER	SPACING
1	7/16" O.S.B. OR 19/32 CDX PLYWOOD	10d RING SHANK	6 in. o.c. EDGE 6 in. o.c. FIELD
2			4 in. o.c. EDGE 6 in. o.c. FIELD
3			4 in. o.c. @ GABLE ENDWALL OR GABLE TRUSS 6 in. o.c. EDGE 6 in. o.c. FIELD

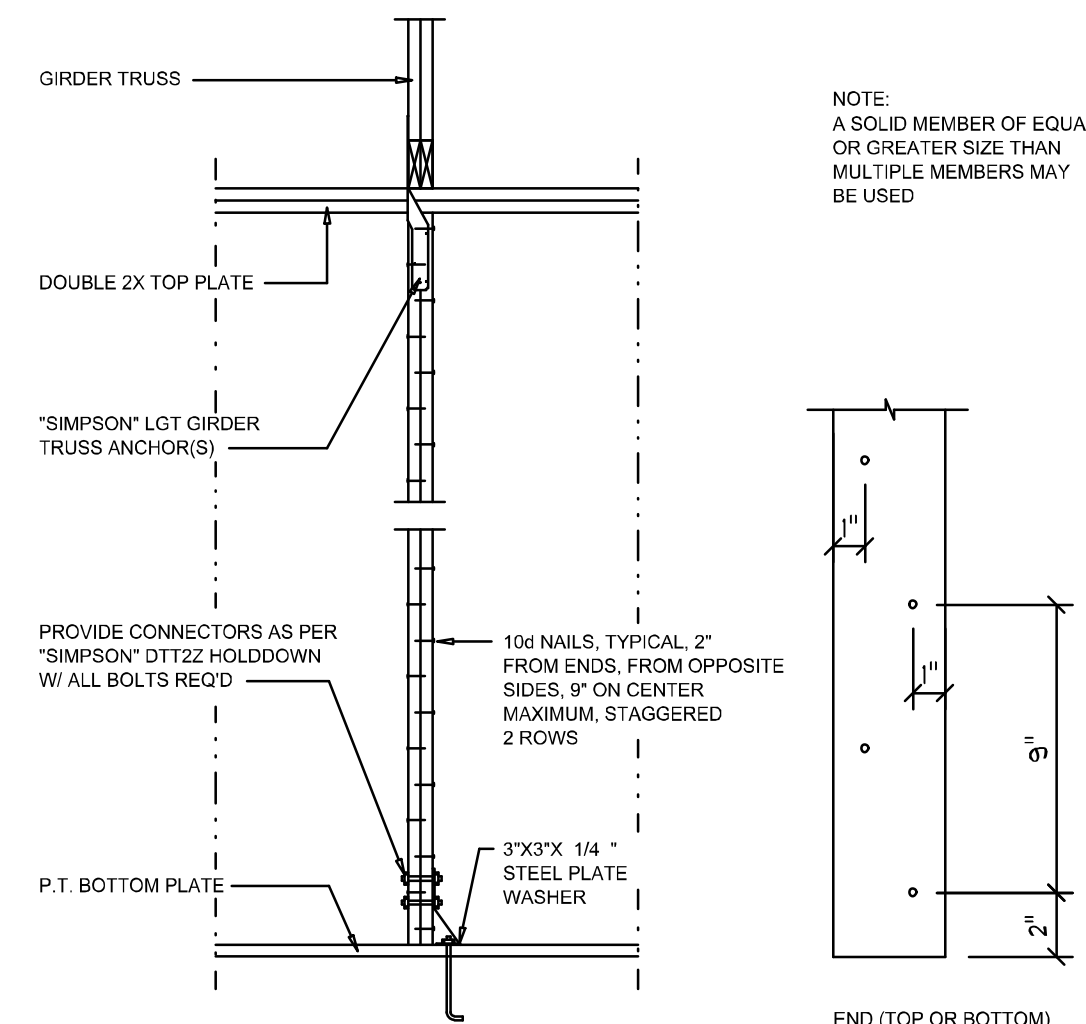
HEIGHT 4 EXPOSURE ADJUSTMENT COEFFICIENTS FOR BUILDING COMPONENTS & CLADDING			
BLDG HEIGHT (ft.)	EXPOSURE "B"	EXPOSURE "C"	EXPOSURE "D"
15	.82	1.21	1.47
20	.83	1.23	1.53
25	.84	1.35	1.61
30	1.00	1.40	1.66



Roof Nail Pattern DET.

SCALE: NONE

B



"WindSTORM" ALT. SHEATHING METHOD:

NOTE: A SOLID MEMBER OF EQUAL OR GREATER SIZE THAN MULTIPLE MEMBERS MAY BE USED

ALTERNATIVE METHOD FOR ANCHORING THE TOP WALL PLATE TO THE FOUNDATION IN LIEU OF THE SP1/SP2 OR SP4 STRAPS INDICATED IN THE CONSTRUCTION DOCUMENTS FOR THIS PROJECT SHALL ALLOWED AS FOLLOWS:

1. APPLY VERTICALLY, "WindSTORM" 7/16" O.S.B. 48" X 97", 109" 121" OR 145" SHEATHING. FASTEN TO THE TOP PLATE AND THE SILL PLATE WITH EITHER 6d COMMONS @ 3" O.C. OR 8d COMMONS @ 4" O.C. FASTEN TO EACH STUD WITH EITHER 6d COMMONS @ 6" O.C. OR 8d COMMONS @ 8" O.C.

Alternate "Titan" bolt concrete anchor system

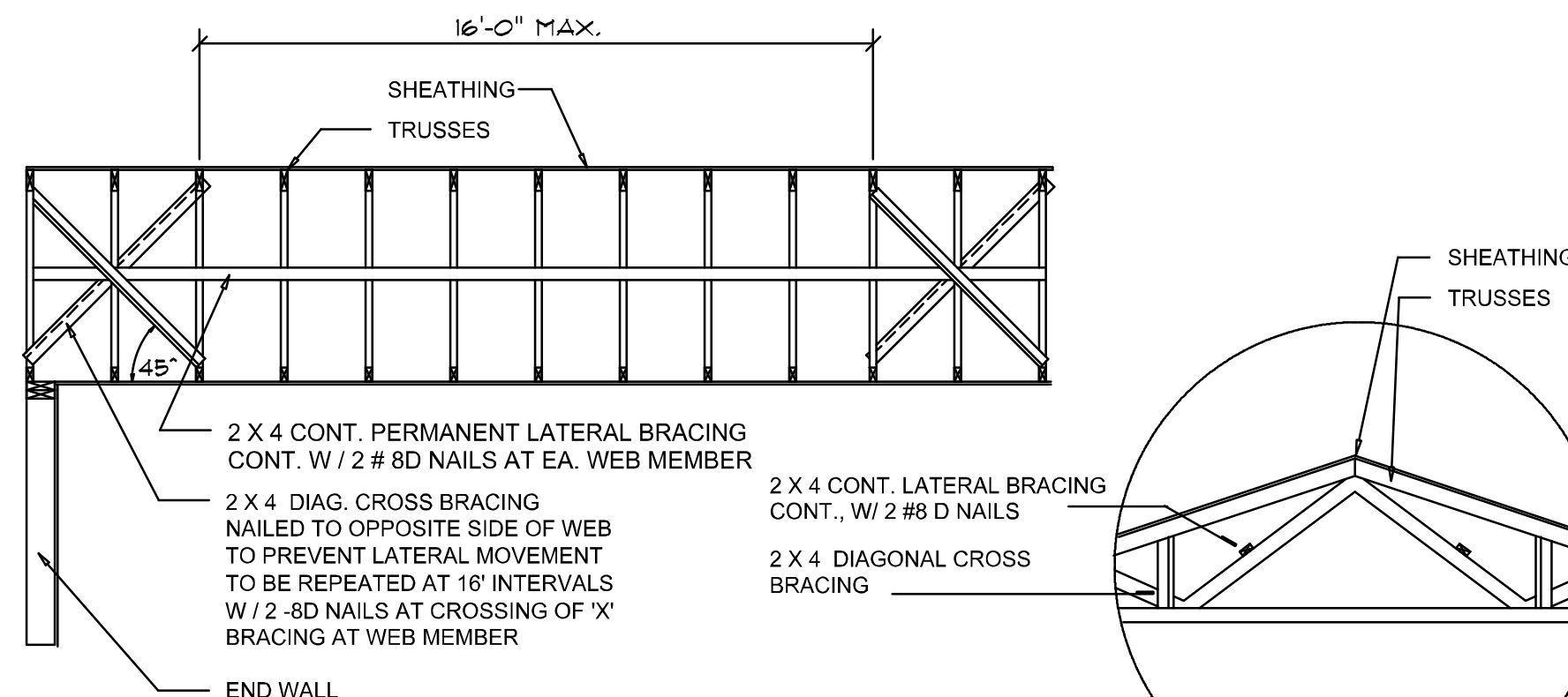
ANCHOR SILL PLATE WITH 5/8" TITAN ANCHOR BOLT. PLACED AT 40" O.C. AROUND PERIMETER OF SLAB AND ALL INTERIOR BEARING WALLS. (MIN. 4" DIA.)



Girder Truss Column DET.

SCALE: 1/2" = 1'-0"

C



TYP. PERMANENT TRUSS BRACING DIA.

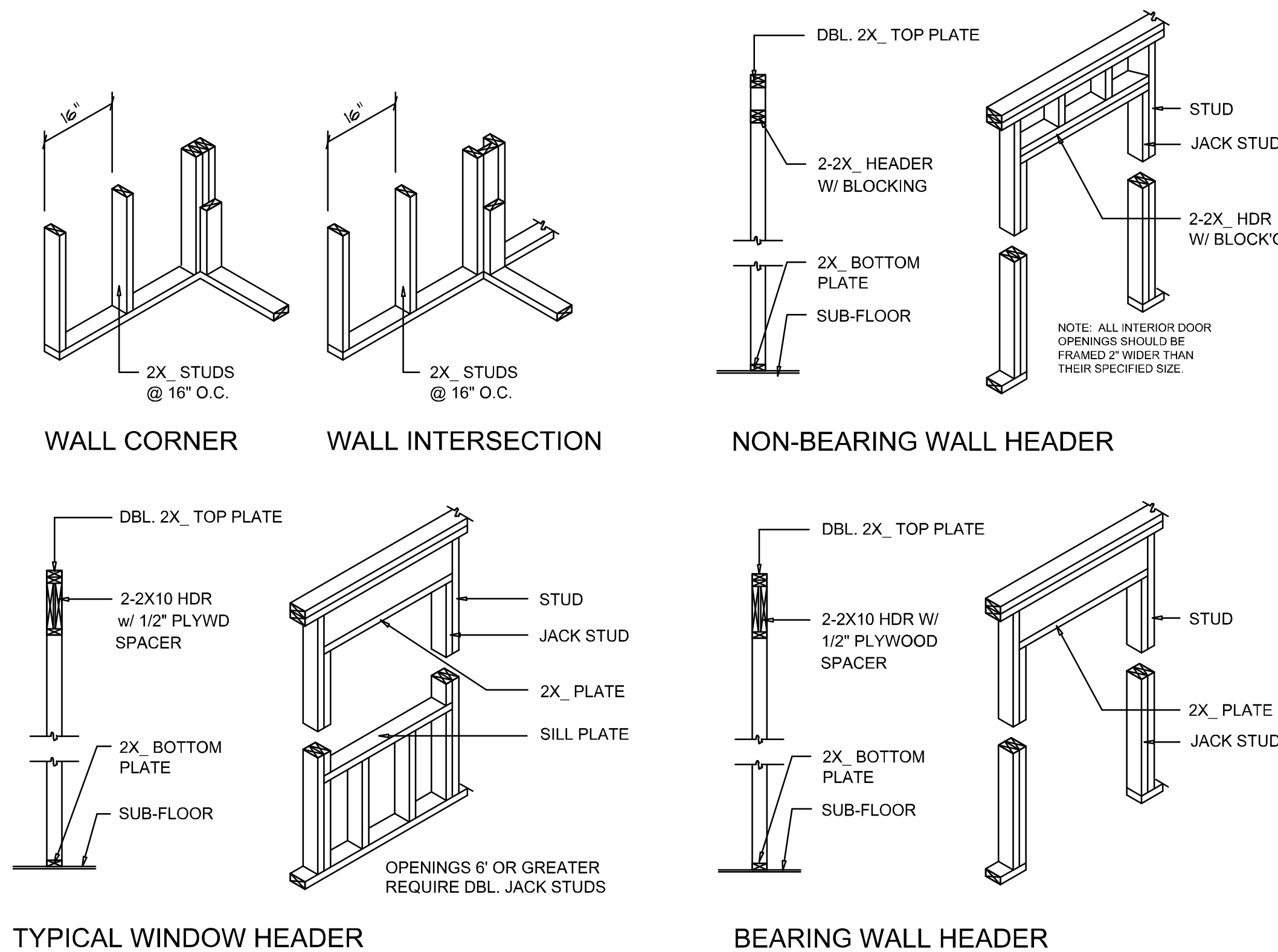
NTS

NOTE: ALL WOOD TO BE NUMBER 2 GRADE SOUTHERN YELLOW PINE

Truss Bracing DETAILS

SCALE: AS NOTED

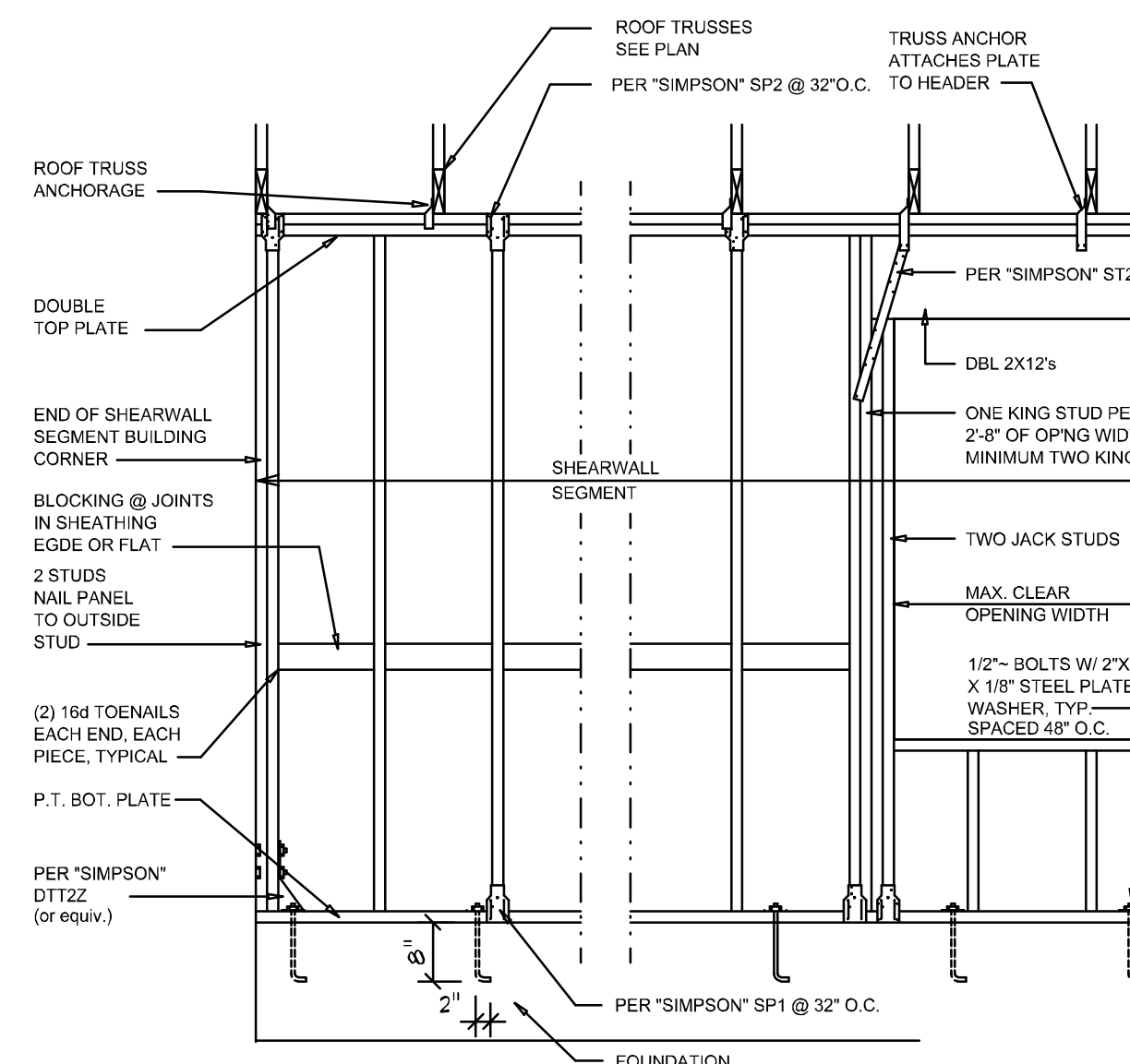
D



Wall Framing/Header DETAILS

SCALE: NONE

F



SHEARWALL NOTES:

1. ALL SHEARWALLS SHALL BE TYPE 2 SHEARWALLS AS DEFINED BY STD 10-97 SBC31 305.4.3.
2. THE WALL SHALL BE ENTIRELY SHEATHED WITH 7/16" O.S.B. INCLUDING AREAS ABOVE AND BELOW OPENINGS.
3. ALL SHEATHING SHALL BE ATTACHED TO FRAMING ALONG ALL FOUR EDGES WITH JOINTS FOR ADJACENT PANELS OCCURRING OVER COMMON FRAMING MEMBERS OR ALONG BLOCKING.
4. NAIL SPACING SHALL BE 4" O.C. EDGES AND 8" O.C. IN THE FIELD.
5. TYPE 2 SHEARWALLS ARE DESIGNED FOR THE OPENING IT CONTAINS. MAXIMUM HEIGHT OF OPENING SHALL BE 5/6 TIMES THE WALL HEIGHT. THE MINIMUM DISTANCE BETWEEN OPENINGS SHALL BE THE WALL HEIGHT/3.5 FOR 8'-0" WALLS (P. 37).

OPENING WIDTH	SILL PLATES	16d TOE NAILS EACH END
UP TO 6'-0"	(1) 2x4 OR (1) 2x6	1
> 6' TO 9'-0"	(3) 2x4 OR (1) 2x6	2
> 9' TO 12'-0"	(5) 2x4 OR (2) 2x6	3

Shear Wall DETAILS

SCALE: NONE

E

NOTE: ALL DRAWINGS NOT TO BE SCALED, WRITTEN DIMENSIONS TAKE PRECEDENCE OVER SCALED DIMENSIONS

REVISIONS
March 25, 2026

SOFTPLAN
MECHANICAL DESIGN SOFTWARE

DETAILS SHEET
SCALE: 1/4" = 1'-0"

A CUSTOM HOME DESIGN FOR:
George & Christine Stewart
PROJECT ADDRESS: 215 SW Carpenter Rd., Lake City, Florida 32024 (Columbia County)

ARCOO1005

NICHOLAS PAUL ARCHITECT
N.C.A.R.B. Certified
1755 NW Brown Rd.
Lake City, FL 32065
(386) 365-4355

JOB NUMBER
20260302

SHEET NUMBER
S.4
OF 4 SHEETS