

plastpro

5200 W. CENTURY BLVD.
LOS ANGELES, CA 90045

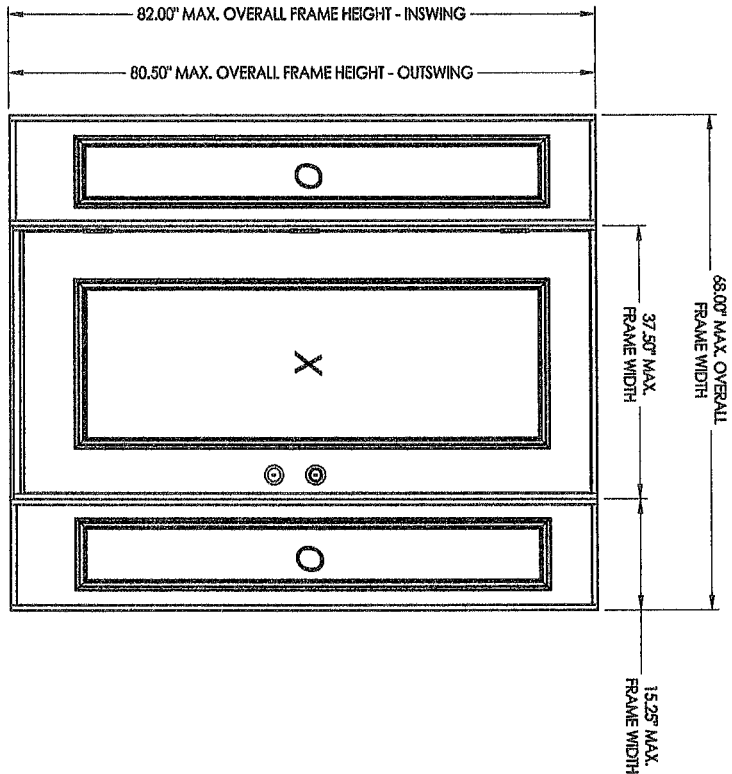
**Smooth / Wood Grain / White Wood Grain
Rustic / Mahogany
Series N Fiberglass Door
INSWING / OUTSWING
"NON-IMPACT"**

GENERAL NOTES

1. This product has been evaluated and is in compliance with the 2010 Florida Building Code (FBC) structural requirements excluding the "High Velocity Hurricane Zone" (HVHZ).
2. Product anchors shall be as listed and spaced as shown on details. Anchor embedment to base material shall be beyond wall dressing or stucco.
3. When used in areas requiring wind borne debris protection this product is required to be protected with an impact resistant covering that complies with Section 1609.1.2 of the FBC.
4. For 2x stud framing construction, anchoring of these units shall be the same as that shown for 2x buck masonry construction.
5. Site conditions that deviate from the details of this drawing require further engineering analysis by a licensed engineer or registered architect.

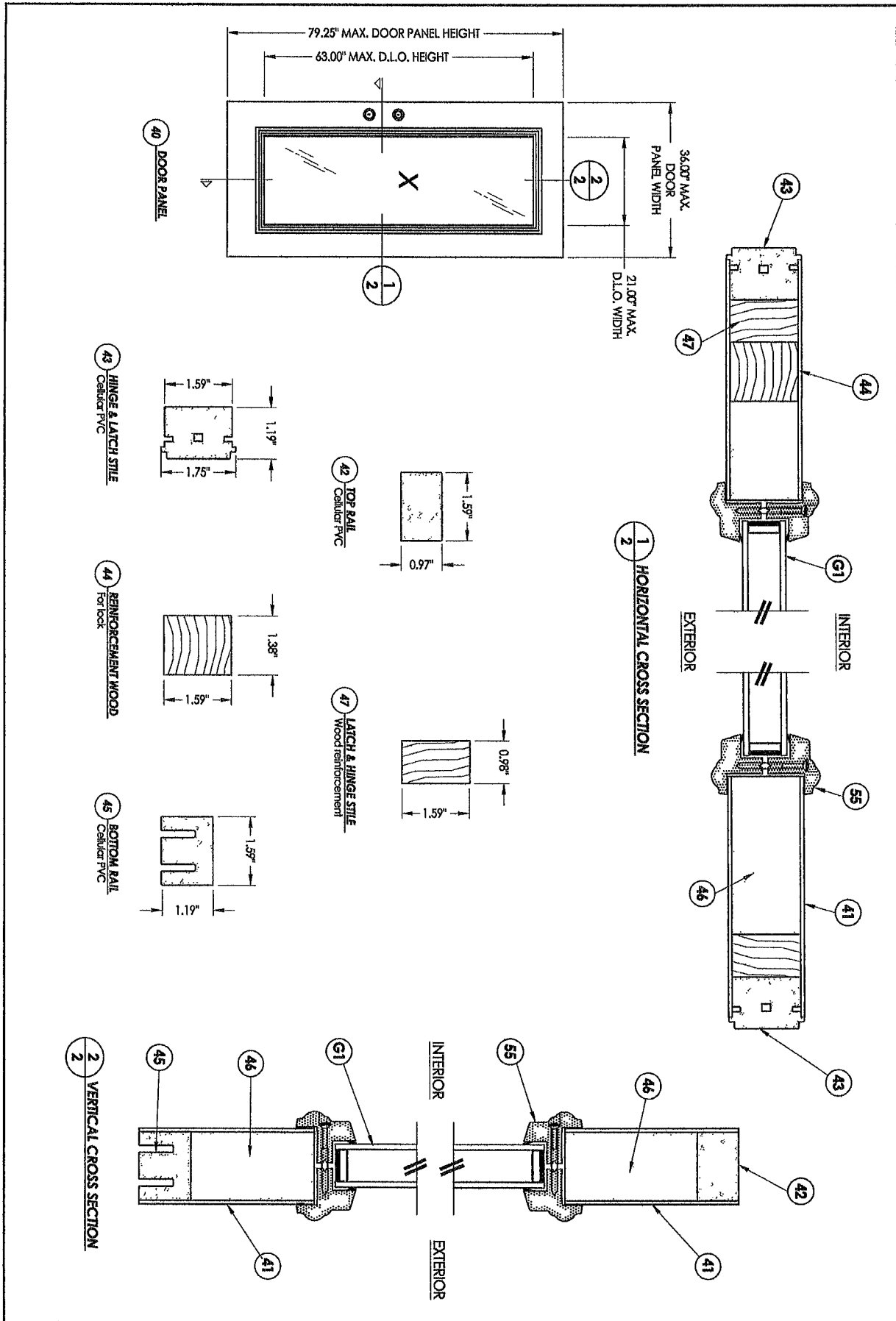
TABLE OF CONTENTS

SHEET #	DESCRIPTION
1	Typical elevation, design pressures, & general notes
2	Door panel details
3	Sidelite panel details
4	Horizontal cross sections
5	Vertical cross sections
6	Buck and frame anchoring - 2X buck masonry construction
7	Frame anchoring - 1X buck masonry construction
8	Bill of materials, glazing detail & components
9	

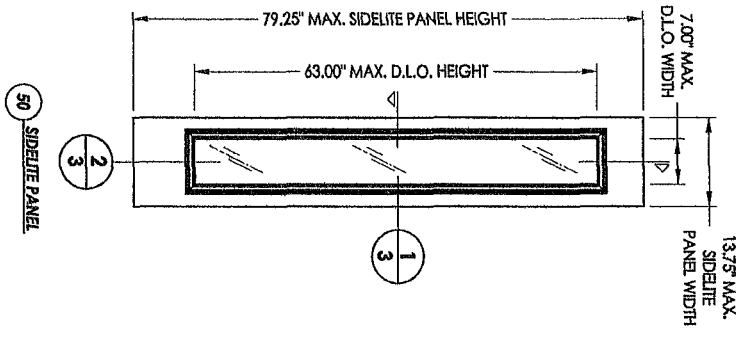


SWING	OVERALL FRAME DIMENSION	DOOR D.L.O. DIMENSION	SIDELITE D.L.O. DIMENSION	GLASS TYPE	DESIGN PRESSURE (PSF)	
					POSITIVE	NEGATIVE
INSWING	68.00" x 82.00"	21.00" x 63.00"	7.00" x 63.00"	G1	+48.0	-50.0
OUTSWING	68.00" x 80.50"	21.00" x 63.00"	7.00" x 63.00"		+50.0	-50.0

SHEET 1 OF 9 DATE 02/16/12 SCALE N.T.S. DWG. BY JK CHK. BY LFS DRAWING NO. FL-15213.16	PRODUCT: PLASTPRO INC. FIBERGLASS DOOR	Documents Prepared By: RW BUILDING CONSULTANTS, INC. P.O. Box 230 Valrico FL 33595 Phone No.: 813.659.9197 Florida Board of Professional Engineers Certificate of Authorization No. 9813 Lyndon F. Schmidt, P.E. No. 43409
	PART OR ASSEMBLY: TYPICAL ELEVATION, DESIGN PRESSURES & GENERAL NOTES	REVISIONS NO. DATE

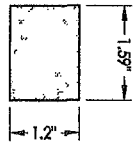


SHEET 2 OF 9 DRAWING NO. FL-15213.16 CHK. BY: LFS DATE: 02/16/12 SCALE: N.T.S. Dwg. BY: JK DATE: 02/16/12 SCALE: N.T.S.		PRODUCT: PLASTPRO INC. FIBERGLASS DOOR PART OR ASSEMBLY: DOOR PANEL DETAILS	Documents Prepared By: RW BUILDING CONSULTANTS, INC. P.O. Box 230 Valrico FL 33595 Phone No.: 813.689.9197 Florida Board of Professional Engineers Certificate of Authorization No. 9813 Lyndon F. Schmidt, P.E. No. 43408
NO.	DATE	BY	REVISIONS

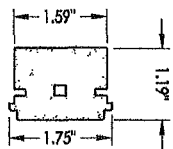


50 SIDELITE PANEL

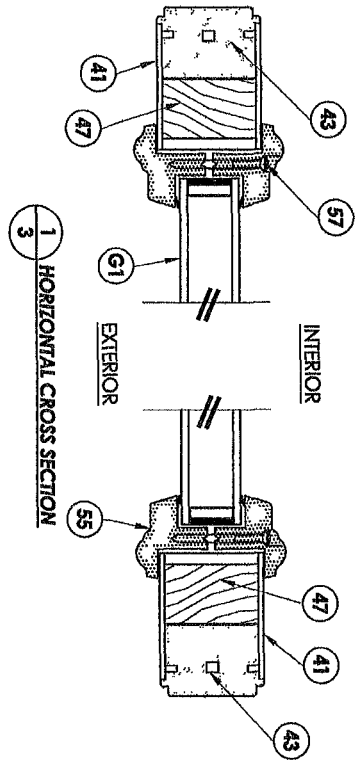
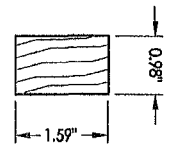
51 SIDELITE TOP & BOTTOM RAIL
Cellular PVC



43 HINGE & LATCH STILE
Sidelite stile
Cellular PVC

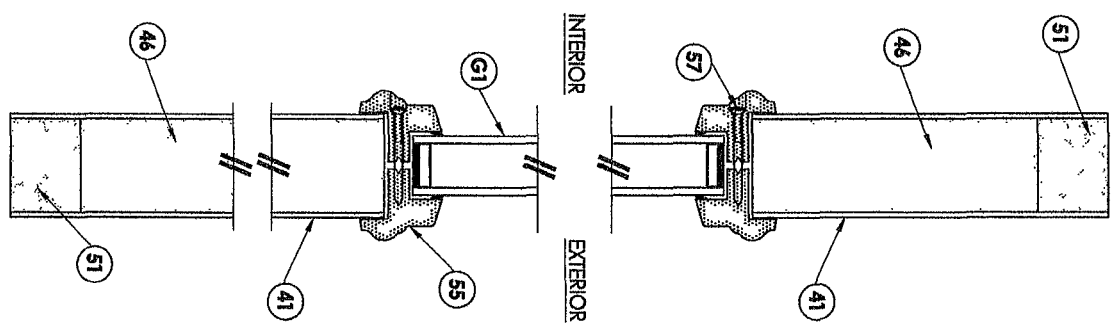


47 LATCH & HINGE STILE
Sidelite stile
Wood reinforcement



1 HORIZONTAL CROSS SECTION

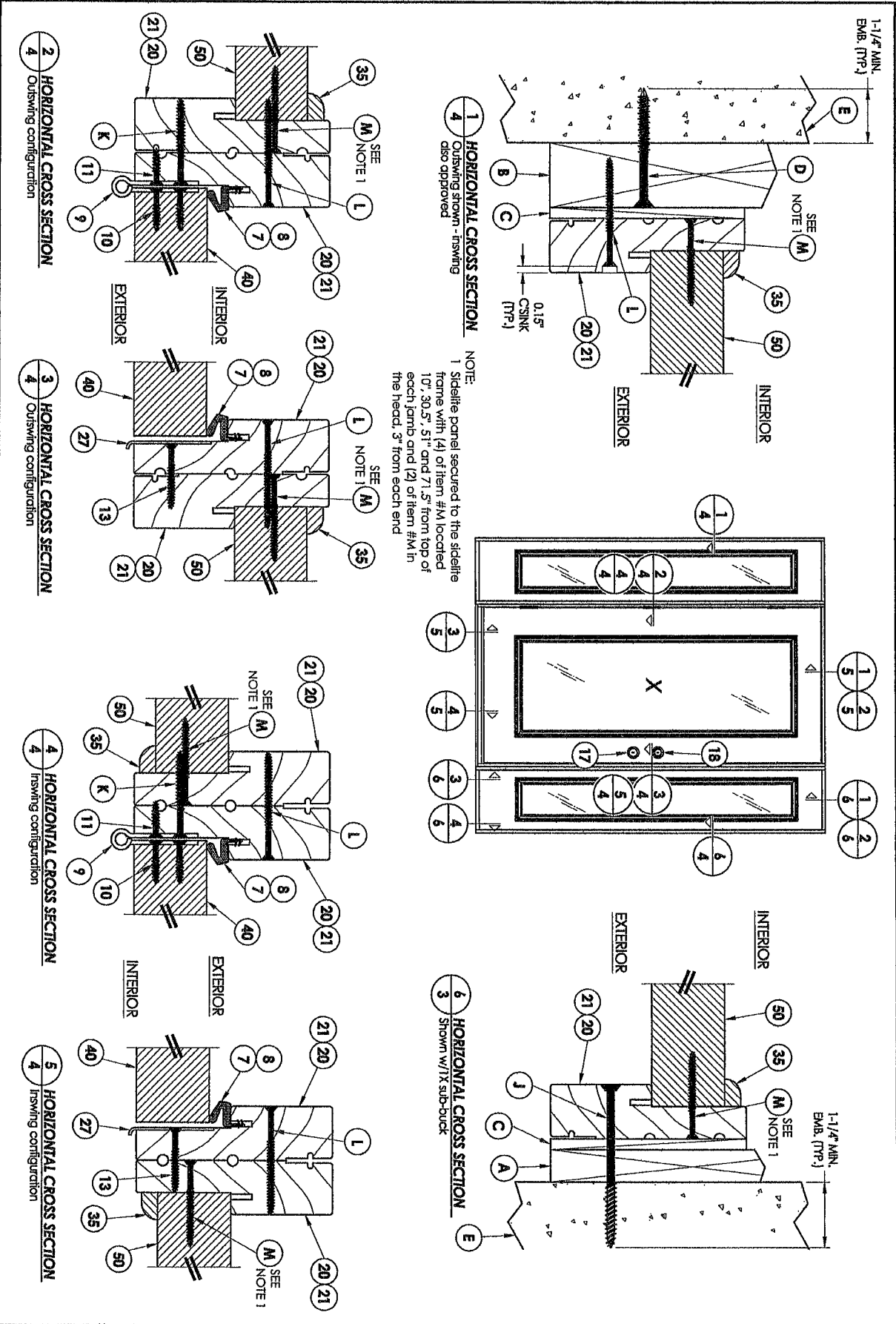
2 VERTICAL CROSS SECTION



NO.	DATE	REVISIONS	BY

PRODUCT:
PLASTPRO INC.
FIBERGLASS DOOR
PART OR ASSEMBLY:
SIDELITE PANEL DETAILS

Documents Prepared By:
RW BUILDING CONSULTANTS, INC.
P.O. Box 230 Valrico FL 33595
Phone No. 813.659.9197
Florida Board of Professional Engineers
Certificate Of Authorization No. 9813
Lyndon F. Schmidt
Lyndon F. Schmidt, P.E. No. 43409



1 HORIZONTAL CROSS SECTION
 1 Sidelite panel secured to the sidelite frame with (4) of item #M located 10", 30.5", 51" and 71.5" from top of each jamb and (2) of item #M in the head, 3" from each end

2 HORIZONTAL CROSS SECTION
 4 Outswinging configuration

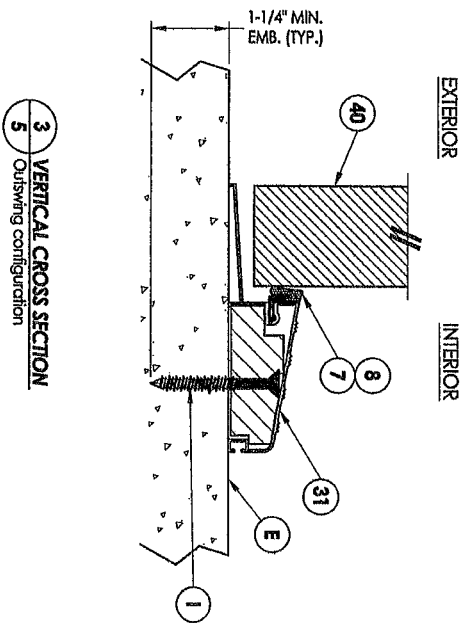
3 HORIZONTAL CROSS SECTION
 4 Outswinging configuration

4 HORIZONTAL CROSS SECTION
 4 Inswinging configuration

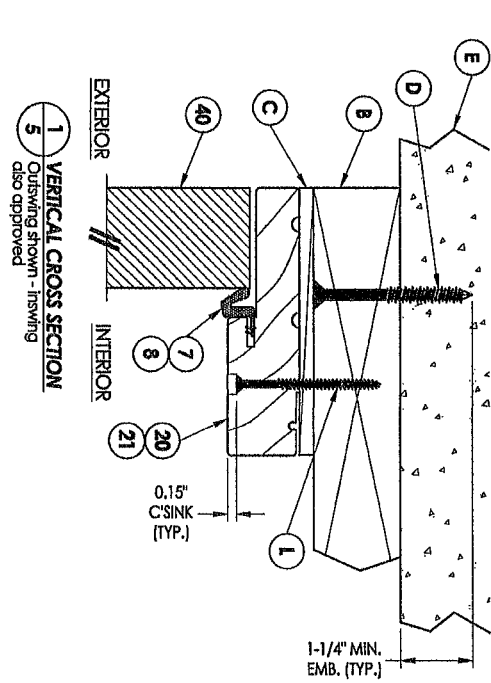
5 HORIZONTAL CROSS SECTION
 4 Inswinging configuration

6 HORIZONTAL CROSS SECTION
 3 Shown w/1X sub-buck

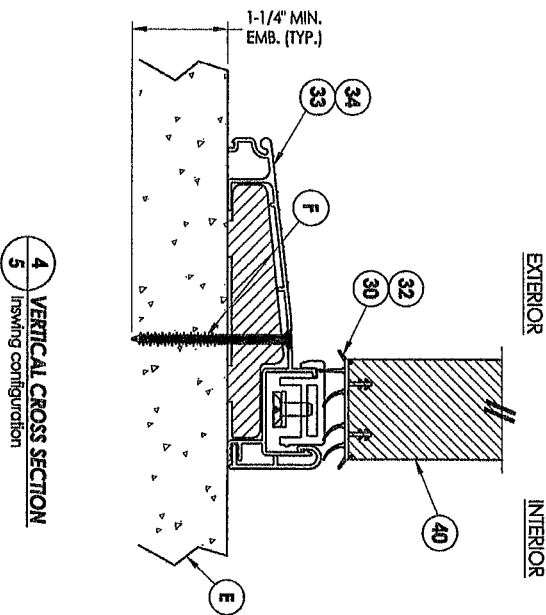
PRODUCT: PLASTPRO INC. FIBERGLASS DOOR		Documents Prepared By: RW BUILDING CONSULTANTS, INC. P.O. Box 230 Valrico FL 33596 Phone No.: 813.689.8197 Florida Board of Professional Engineers Certificate Of Authorization No. 9813 Lyndon F. Schmidt, P.E. No. 43408	
PART OR ASSEMBLY: HORIZONTAL CROSS SECTIONS		DATE: 02/16/12 SCALE: N.T.S. CHK. BY: JKS DRC. BY: JKS SHEET 4 OF 9	
NO.	DATE	BY	REVISIONS



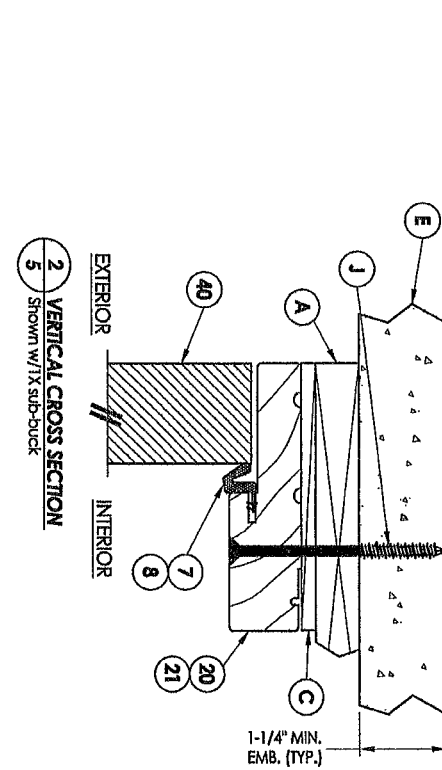
3 VERTICAL CROSS SECTION
Outswing configuration



1 VERTICAL CROSS SECTION
Outswing shown - inswing
also approved



4 VERTICAL CROSS SECTION
Inswing configuration

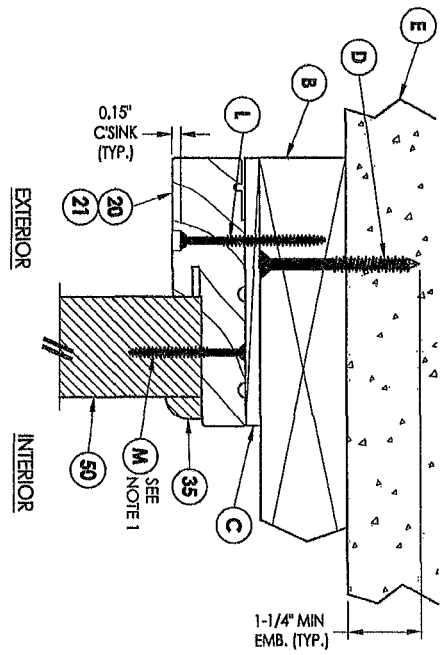


2 VERTICAL CROSS SECTION
Shown w/IX sub-buck

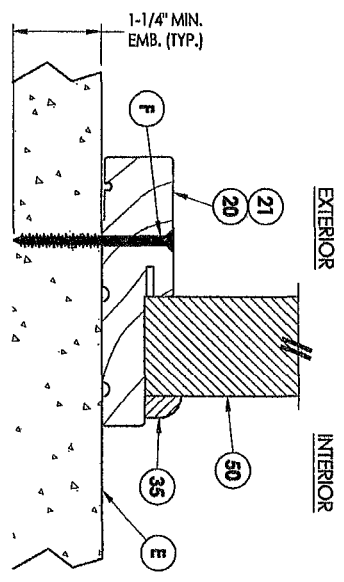
NO.	DATE	REVISIONS	BY

PRODUCT: PLASTPRO INC. FIBERGLASS DOOR
PART OR ASSEMBLY: VERTICAL CROSS SECTIONS

Documents Prepared By:
RW BUILDING CONSULTANTS, INC.
P.O. Box 230 Valrico FL 33595
Phone No. 813.859.9197
Florida Board of Professional Engineers
Certificate of Authorization No. 9813
LF 2-17-12
Lyndon F Schmidt, P.E. No. 43409

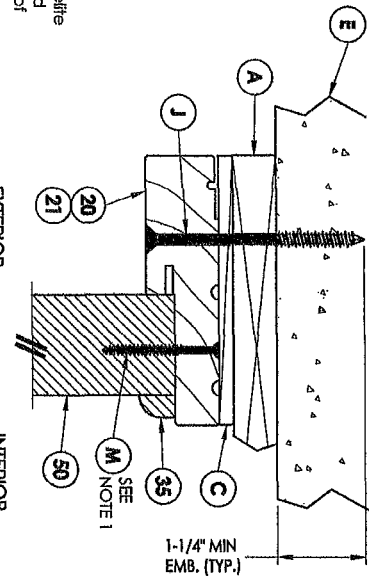


1 VERTICAL CROSS SECTION
6 Outswing shown - inswing also approved

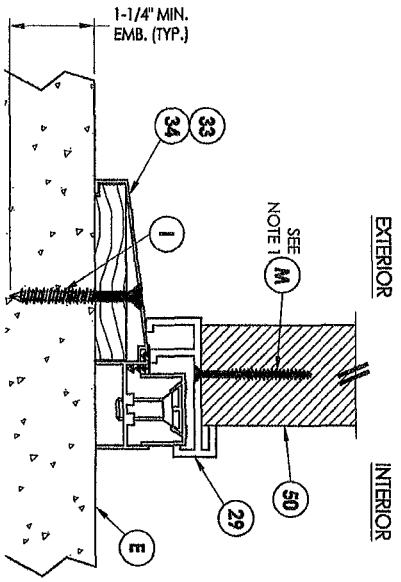


3 VERTICAL CROSS SECTION
6 Outswing shown - inswing also approved

NOTE:
 1 Sidelite panel secured to the sidelite frame with (4) of item #M located 10", 30.5", 51" and 71.5" from top of each jamb and (2) of item #M in the head, 3" from each end

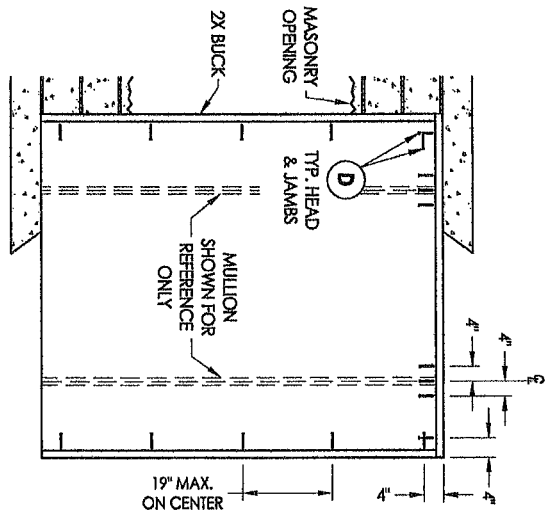


2 VERTICAL CROSS SECTION
6 Shown w/ 1X sub-buck

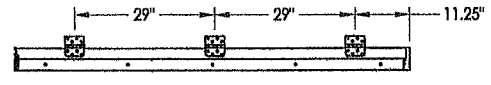


4 VERTICAL CROSS SECTION
6 Inswing configuration

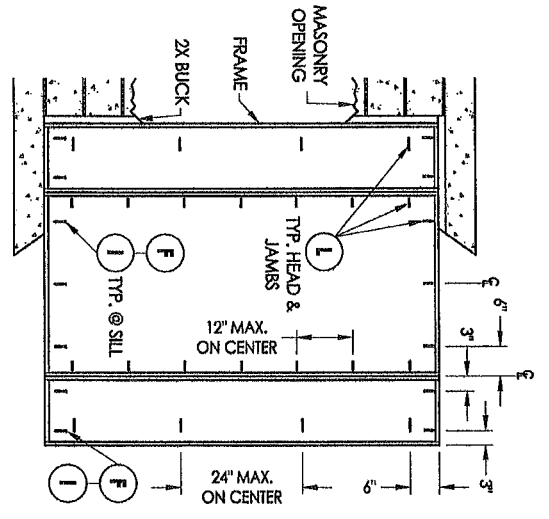
SHEET 6 OF 9		DATE 02/16/12		SCALE N.T.S.		DWC. BY: JK		CHK. BY: LFS		DRAWING NO. FL-15213.16	
NO.		DATE		REVISIONS		BY		PRODUCT: PLASTRO INC. FIBERGLASS DOOR			
								PART OR ASSEMBLY: VERTICAL CROSS SECTIONS			
								Documents Prepared By: R.W. BUILDING CONSULTANTS, INC. P.O. Box 230 Valrico FL 33595 Phone No. 813.859.0197 Florida Board of Professional Engineers Certificate Of Authorization No. 9813 Lyndon F Schmidt, P.E. No. 43408			



BUCK ANCHORING



HINGE JAMB



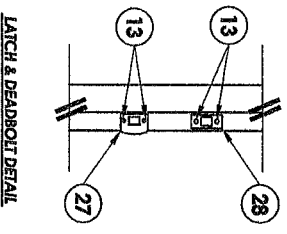
FRAME ANCHORING
Masonry 2x buck construction



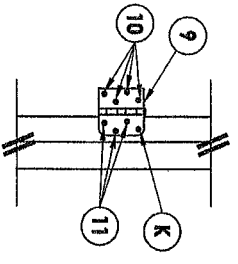
STRIKE JAMB

- CONCRETE ANCHOR NOTES:**
1. Substitution of equal concrete anchors from a different supplier may have different edge distance and center distance requirements.
 2. Concrete anchor locations of the comers may be adjusted to maintain the min. edge distance to mortar joints. If concrete anchor locations noted as "MAX. ON CENTER" must be adjusted to maintain the min. edge distance to mortar joints, additional concrete anchors may be required to ensure the "MAX. ON CENTER" dimensions are not exceeded.
 3. Concrete anchor table:

ANCHOR TYPE	ANCHOR SIZE	MIN. EMBEDMENT	MIN. CLEARANCE TO MASONRY EDGE	MIN. CLEARANCE TO ADJACENT ANCHOR
ITW	1/4"	1-1/4"	2-1/2"	3"
ELCO	1/4"	1-1/4"	1"	4"
ITW	3/16"	1-1/4"	2-5/8"	2-1/4"

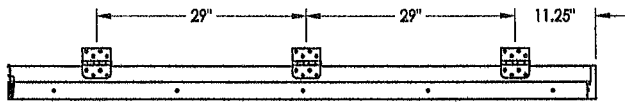


LATCH & DEADBOLT DETAIL

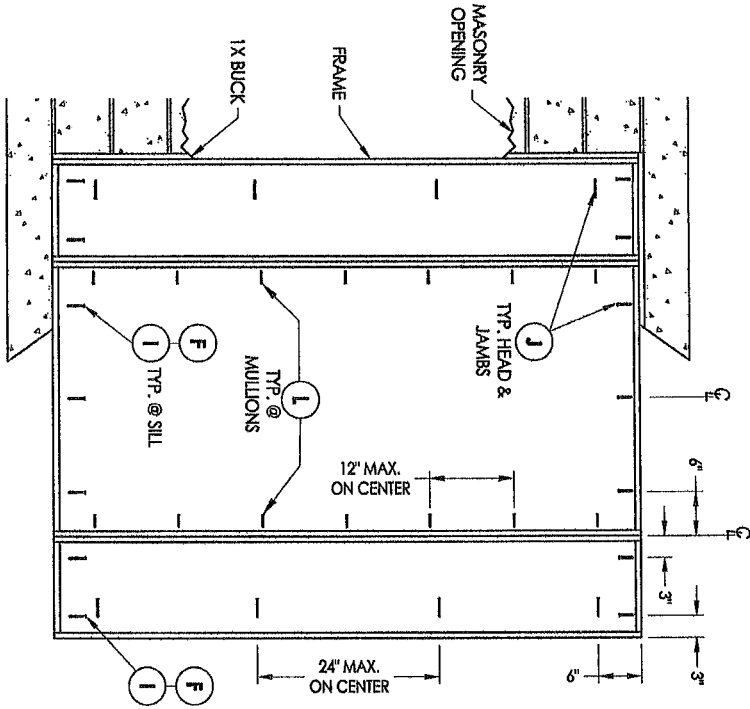


HINGE DETAIL

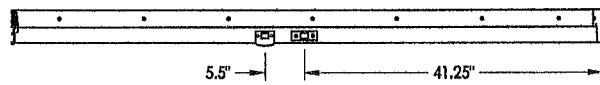
PRODUCT: PLASTPRO INC. FIBERGLASS DOOR		Documents Prepared By: RW BUILDING CONSULTANTS, INC. P.O. Box 230 Valrico FL 33595 Phone No.: 813.659.9197 Florida Board of Professional Engineers Certificate Of Authorization No. 9813 <i>CFR 2-17-12</i> Lyndon F. Schmlidt, P.E. No. 43409
PART OR ASSEMBLY: BUCK & FRAME ANCHORING 2X BUCK MASONRY CONSTRUCTION		
NO.	DATE	BY
REVISIONS		
DATE: 02/16/12 SCALE: N.T.S. DWG. BY: JK CHK. BY: LFS DRAWING NO.: FL-15213.16 SHEET 7 of 9		



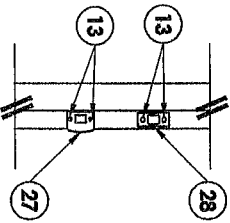
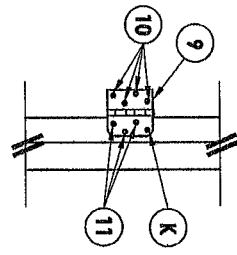
HINGE JAMB



FRAME ANCHORING
Masonry 1x Buck construction



STRIKE JAMB



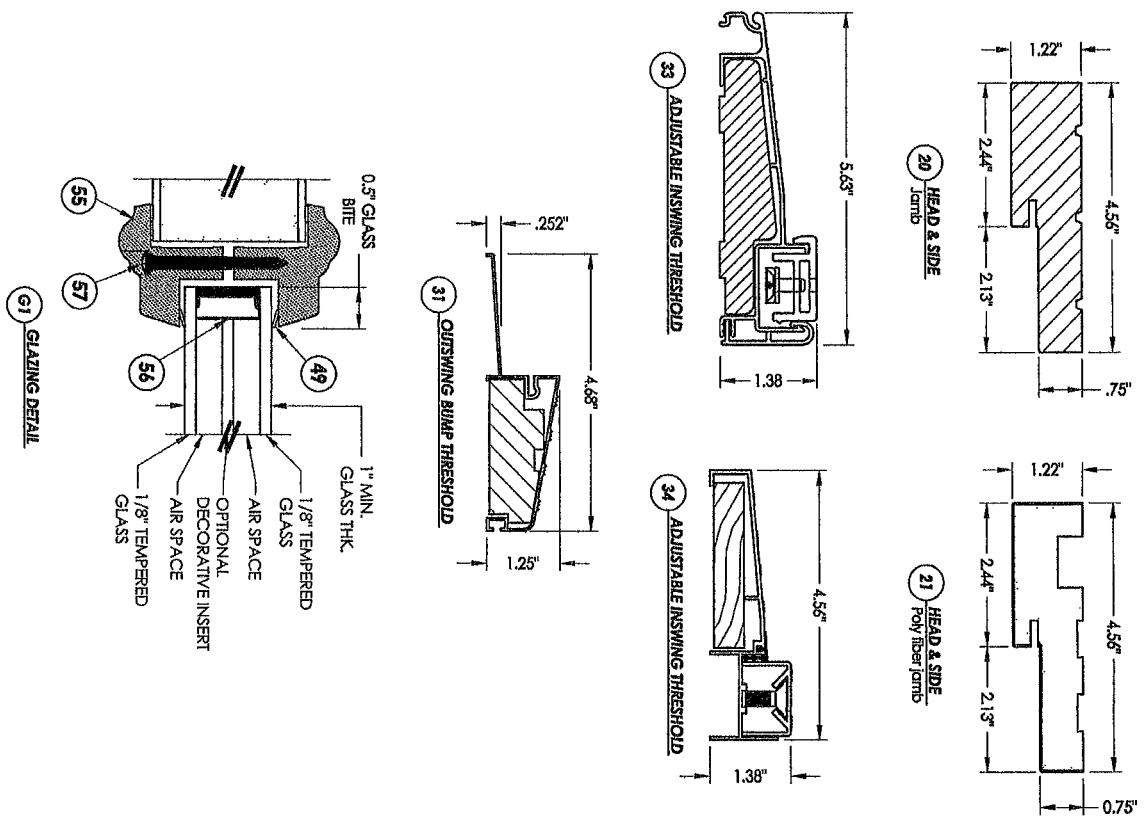
LATCH & DEADBOLT DETAIL

- CONCRETE ANCHOR NOTES:**
1. Substitution of equal concrete anchors from a different supplier may have different edge distance and center distance requirements.
 2. Concrete anchor locations at the corners may be adjusted to maintain the min. edge distance to mortar joints, if concrete anchor locations noted as "MAX. ON CENTER" must be adjusted to maintain the min. edge distance to mortar joints; additional concrete anchors may be required to ensure the "MAX. ON CENTER" dimensions are not exceeded.
 3. Concrete anchor folds:

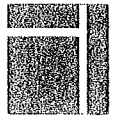
ANCHOR TYPE	ANCHOR SIZE	MIN. EMBEDMENT	MIN. CLEARANCE TO MASONRY EDGE	MIN. CLEARANCE TO ADJACENT ANCHOR
HW	1/4"	1-1/4"	2-1/2"	3"
HW	3/16"	1-1/4"	2-5/8"	2-1/4"

DATE 02/16/12 SCALE N.T.S. DWG. BY JK CHK. BY LFS DRAWING NO. FL-15213.16 SHEET 8 OF 9	PRODUCT PLASTPRO INC. FIBERGLASS DOOR	Documents Prepared By: RW BUILDING CONSULTANTS, INC. P.O. Box 230 Valrico FL 33595 Phone No. 813.659.9197 Florida Board of Professional Engineers Certificate Of Authorization No. 9813 Lynden F. Schmidt, P.E. No. 43409
	PART OR ASSEMBLY: FRAME ANCHORING 1X BUCK MASONRY CONSTRUCTION	
NO. DATE REVISIONS	BY	

BILL OF MATERIALS		MATERIAL
A	1X BUCK SG >= 0.55	WOOD
B	2X BUCK SG >= 0.55	WOOD
C	1/4" MAX. SHIM SPACE	-
D	1/4" X 2-3/4" PPH ELCO OR ITW CONCRETE SCREW	STEEL
E	MASONRY - 3,192 PSI MIN. CONCRETE CONFORMING TO ACI 301 OR HOLLOW BLOCK CONFORMING TO ASTM C90	CONCRETE
F	1/4" X 2-3/4" PPH ITW CONCRETE SCREW	STEEL
I	1/4" X 2-1/4" PPH ITW CONCRETE SCREW	STEEL
J	1/4" X 3-3/4" PPH ITW CONCRETE SCREW	STEEL
K	# 10 X 2" PPH WOOD SCREW	STEEL
L	# 8 X 2-1/2" PPH WOOD SCREW	STEEL
M	# 8 X 2" PPH WOOD SCREW	STEEL
N	FORCE 5 WEATHER STRIPPING BY ENDURA	FOAM
7	COMPRESSION WEATHER STRIP QILON 650 BY SCHLEGEL	FOAM
8	4" X 4" BUTT HINGE	STEEL
9	# 9 X 1" PPH WOOD SCREW	STEEL
10	# 9 X 3/4" PPH WOOD SCREW	STEEL
11	# 8 X 1-1/2" PPH WOOD SCREW	STEEL
13	KWIKSET KEVED ENTRY - SIGNATURE SERIES	STEEL
17	KWIKSET DEADBOLT - SIGNATURE SERIES (780)	STEEL
18	FINGER JOINED PINE FRAME HEAD & HINGE JAMBS	WOOD
20	POLYMER JAMB	COMP. / VINYL
21	LATCH STRIKE PLATE	STEEL
27	DEADBOLT STRIKE PLATE	STEEL
28	SIDELITE SPACER	PVC
29	INSWING VINYL DOOR BOTTOM SWEEP BY ENDURA	VINYL
30	VINYL DOOR BOTTOM SWEEP #3628 BY HOLM IND.	PVC
31	INSWING ADJUSTABLE THRESHOLD BY ENDURA	ALUM. / WOOD
32	INSWING ADJUSTABLE ALUMINUM THRESHOLD BY DLP	ALUM. / WOOD
33	SHOE MOULD 5/8" X 3/8"	WOOD
34	DOOR PANEL - SEE DOOR PANEL DETAIL SHEET FOR CONSTRUCTION DETAILS	FIBERGLASS
40	TOP RAIL	CELLULAR/PVC
41	LATCH & HINGE STILE	CELLULAR/PVC
42	REINFORCEMENT WOOD FOR LOCKS (20" LONG)	WOOD
43	BOTTOM RAIL	CELLULAR/PVC
44	POLYURETHANE FOAM BY NAN YA	POLYURETHANE
45	CONTINUOUS LATCH & HINGE STILE REINFORCEMENT	WOOD
46	GLAZING COMPOUND	SILICONE
47	SIDELITE PANEL - SEE SIDELITE PANEL DETAIL SHEET FOR CONSTRUCTION DETAILS	SILICONE
49	SIDELITE TOP & BOTTOM RAIL BY NAN YA	CELLULAR/PVC
50	LIP LITE ODI WESTERN REFLECTIONS HP	POLYPROPYLENE
51	GLAZING SPACER	ALUM.
55	#8 x 1-1/2" PPH LITE FRAME SCREW	STEEL



PRODUCT: PLASTPRO INC. FIBERGLASS DOOR	Documents Prepared By: RW BUILDING CONSULTANTS, INC. P.O. Box 230 Vaitoo FL 33685 Phone No.: 813.658.9167 Florida Board of Professional Engineers Certificate Of Authorization No. 9813 Lyndon F. Schmidt, P.E. No. 43408
PART OR ASSEMBLY: BILL OF MATERIALS, GLAZING DETAIL & COMPONENTS	DATE: 02/16/12 SCALE: N.T.S. DRAWN BY: JK CHK. BY: LFS
SHEET: 9 OF 9	REVISIONS:



plastpro

5200 W. CENTURY BLVD.
LOS ANGELES, CA 90045

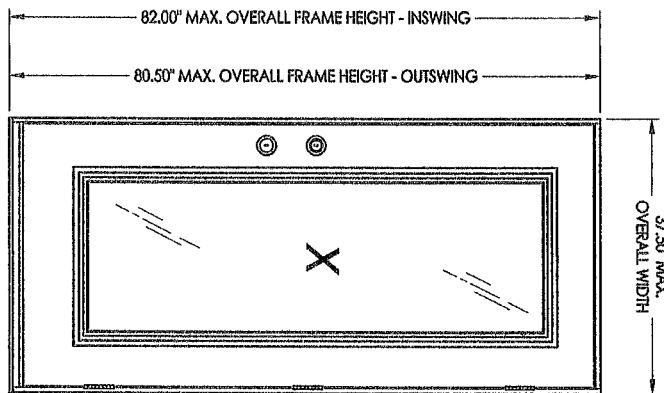
**Smooth / Wood Grain / White Wood Grain
Rustic / Mahogany
Series N Fiberglass Door
INSWING / OUTSWING
"NON-IMPACT"**

GENERAL NOTES

1. This product has been evaluated and is in compliance with the 2010 Florida Building Code (FBC) structural requirements excluding the "High Velocity Hurricane Zone" (HVHZ).
2. Product anchors shall be as listed and spaced as shown on details. Anchor embedment to base material shall be beyond wall dressing or stucco.
3. When used in areas requiring wind borne debris protection this product is required to be protected with an impact resistant covering that complies with Section 1609.1.2 of the FBC.
4. For 2x stud framing construction, anchoring of these units shall be the same as that shown for 2x buck masonry construction.
5. Site conditions that deviate from the details of this drawing require further engineering analysis by a licensed engineer or registered architect.

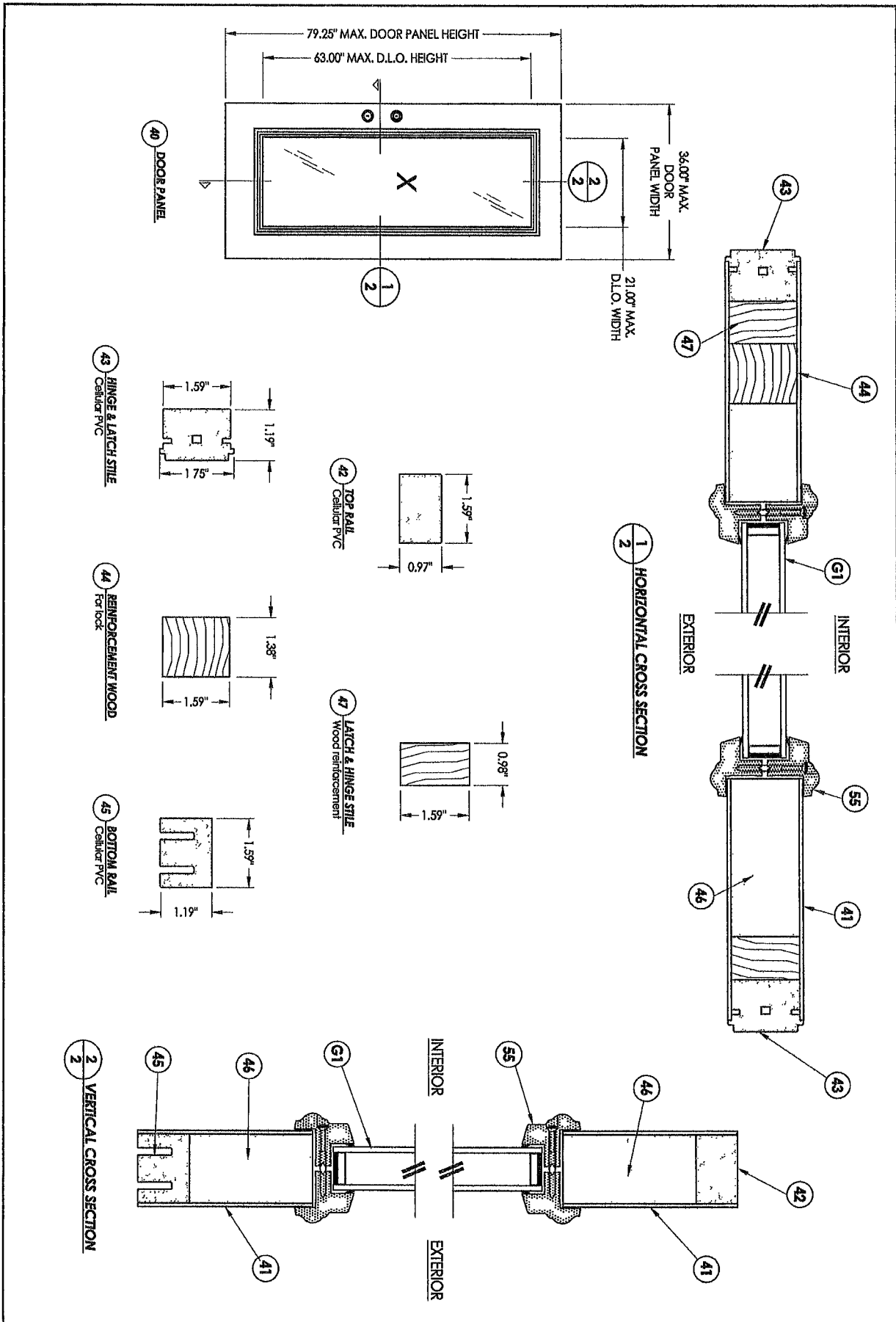
TABLE OF CONTENTS

SHEET #	DESCRIPTION
1	Typical elevation, design pressures & general notes
2	Door panel details
3	Horizontal cross sections
4	Vertical cross sections
5	Buck and frame anchoring - 2x buck masonry construction
6	Frame anchoring - 1x buck masonry construction
7	Bill of Materials, glazing detail & components

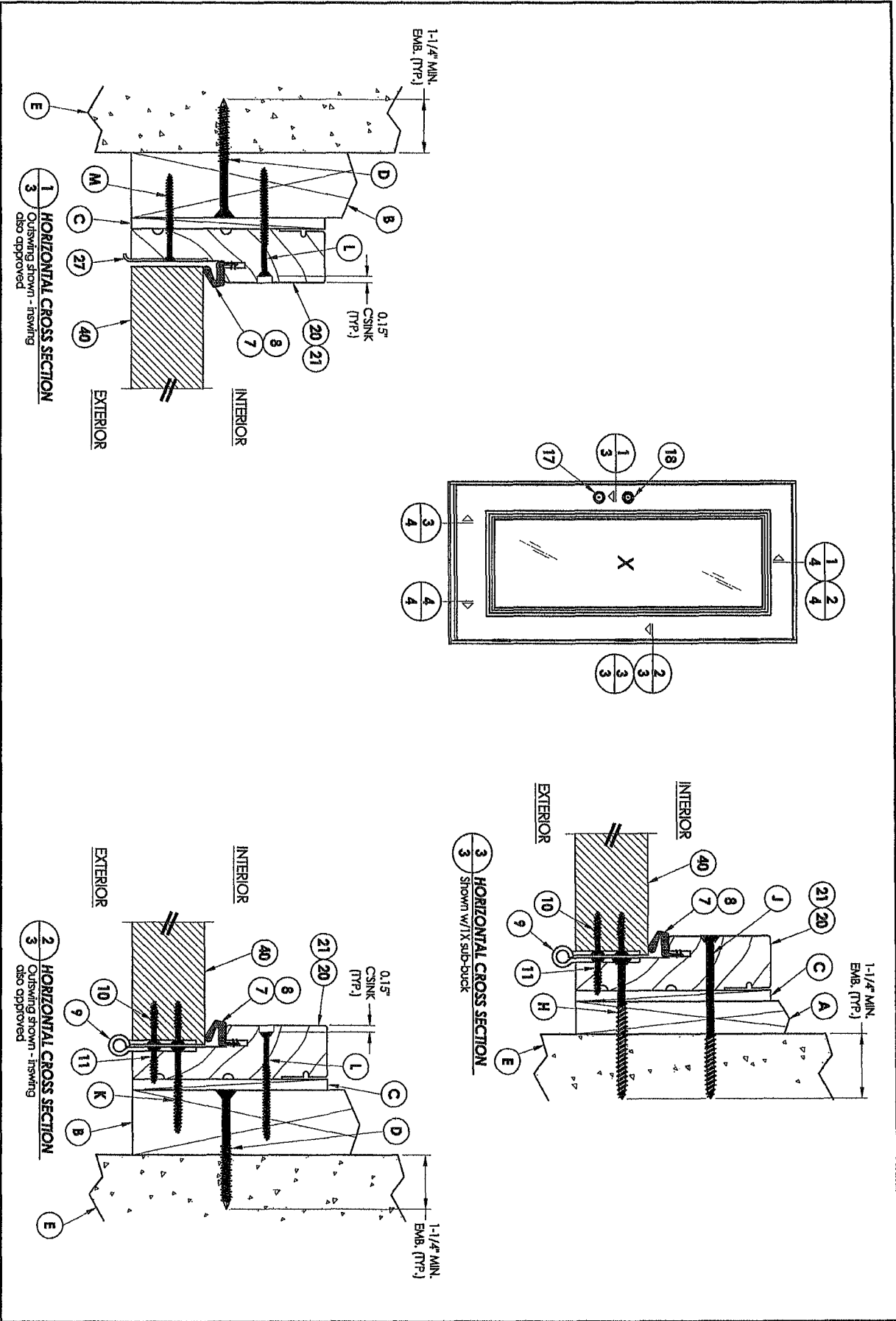


SWING	MAX. FRAME DIMENSION	GLASS TYPE	DESIGN PRESSURE (PSF)	
			POSITIVE	NEGATIVE
INSWING	37.50" x 82.00"	G1	+47.0	-50.0
OUTSWING	37.50" x 80.50"		+50.0	-50.0

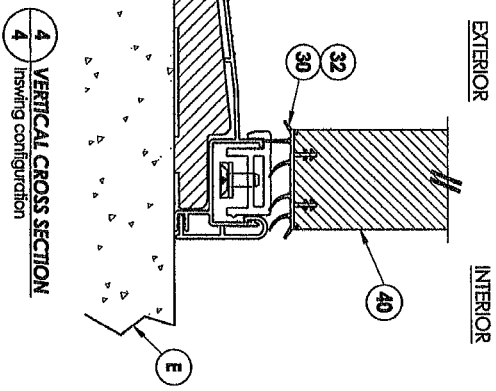
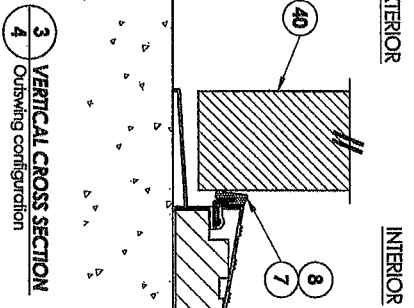
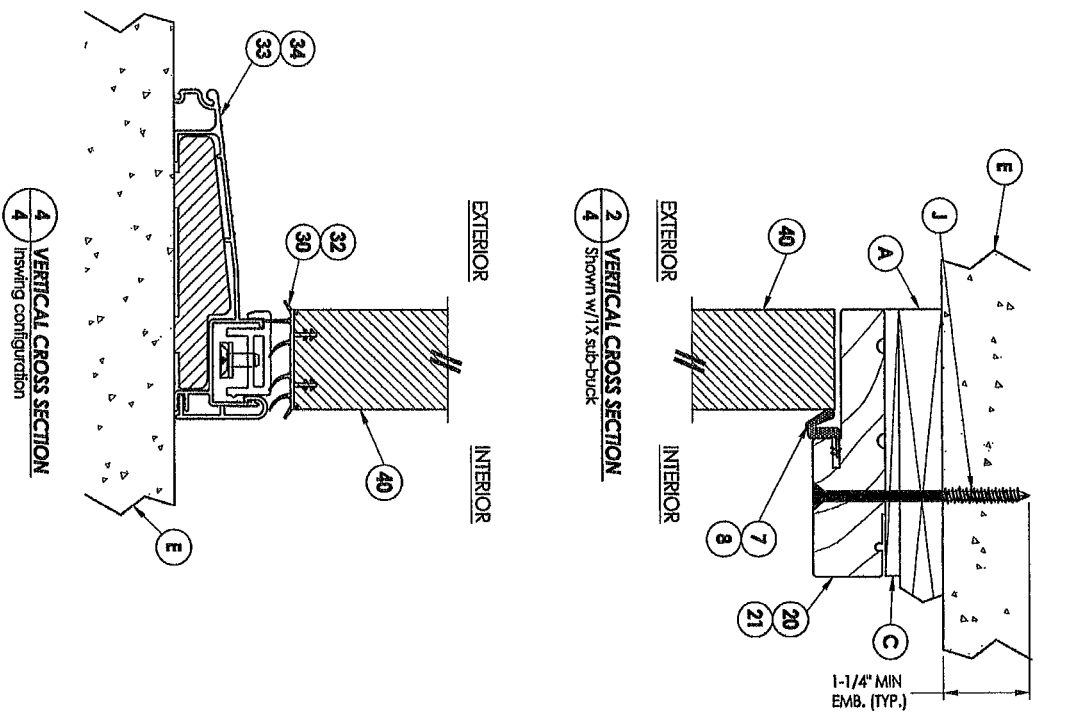
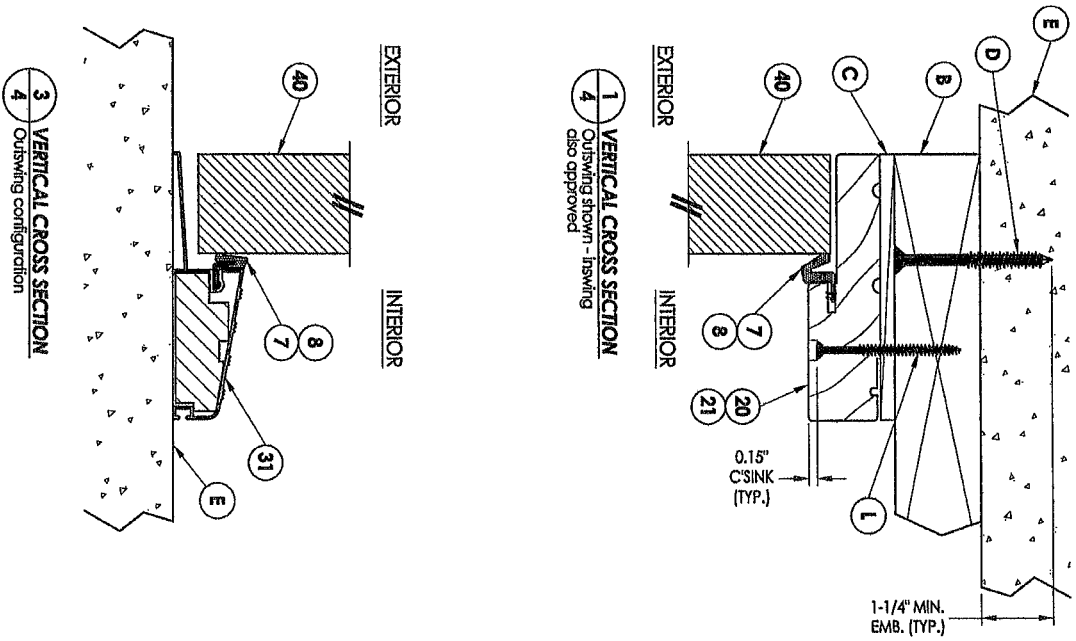
DATE: 02/16/12 SCALE: N.T.S. DWG. BY: JK CHK. BY: LFS DRAWING NO.: FL-15213.14 SHEET: 1 of 7	PRODUCT: PLASTPRO INC. FIBERGLASS DOOR PART OR ASSEMBLY: TYPICAL ELEVATION, DESIGN PRESSURES & GENERAL NOTES	Documents Prepared By: RW BUILDING CONSULTANTS, INC. P.O. Box 230 Valrico FL 33595 Phone No. 813.659.9107 Florida Board of Professional Engineers Certificate of Authorization No. 9813 17 Feb 2012 Lyndon F. Schmidt, P.E. No. 43409
REVISIONS: NO. DATE BY		



DATE 02/16/12 SCALE N.T.S. CHK. BY: JK DRG. BY: LFS DRAWING NO.: FL-15213.14 SHEET 2 OF 7		PRODUCT: PLASTPRO INC. FIBERGLASS DOOR PART OR ASSEMBLY: DOOR PANEL DETAILS	Documents Prepared By: RW BUILDING CONSULTANTS, INC. P.O. Box 230 Valrico FL 33595 Phone No.: 813.659.8187 Florida Board of Professional Engineers Certificate Of Authorization No. 9813 Lyndon F. Schmidt, P.E. No. 43408
NO.	DATE	BY	REVISIONS



DATE: 02/16/12 SCALE: N.T.S. DWG. BY: JK CHK. BY: LES DRAWING NO.: FL-15213.14 SHEET 3 OF 7		PRODUCT: PLASTPRO INC. FIBERGLASS DOOR PART OR ASSEMBLY: HORIZONTAL CROSS SECTIONS	Documents Prepared By: RW BUILDING CONSULTANTS, INC. P.O. Box 230 Valrico FL 33595 Phone No.: 813.659.0107 Florida Board of Professional Engineers Certificate Of Authorization No. 9813 Lyndon F. Sohmidt, P.E. No. 43409
NO.	DATE	REVISIONS	BY

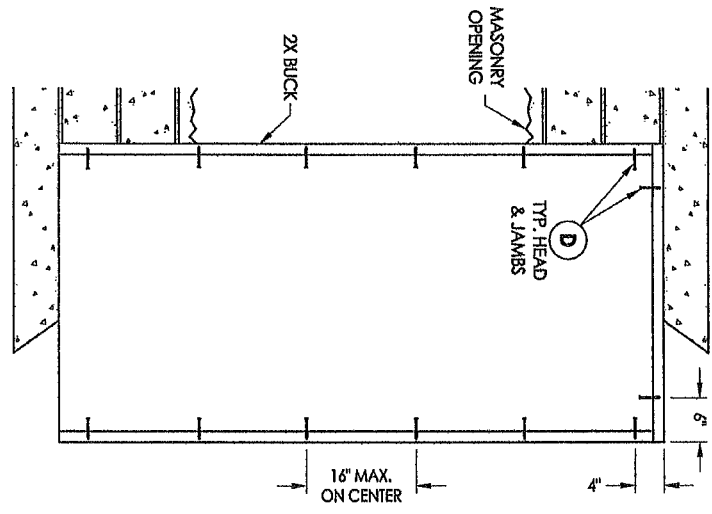


SHEET 4 OF 7	DRAWING NO.: FL-15213.14	CHK. BY: JFS	SCALE: N.T.S.	DATE: 02/16/12	NO.	DATE	BY	PRODUCT:	Documents Prepared By: <i>RW</i> BUILDING CONSULTANTS, INC. P.O. Box 230 Valrico FL 33595 Phone No. 813.659.9197 Florida Board of Professional Engineers Certificate Of Authorization No. 9813 Lyndon F. Schmidt, P.E. No. 43409
								PART OR ASSEMBLY: VERTICAL CROSS SECTIONS	
REVISIONS									

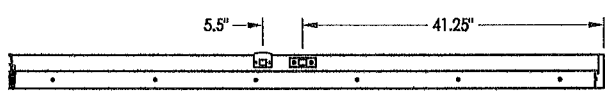
- CONCRETE ANCHOR NOTES:**
1. Substitution of equal concrete anchors from a different supplier may have different edge distance and center distance requirements.
 2. Concrete anchor locations at the corners may be adjusted to maintain the min. edge distance to mortar joints. If concrete anchor locations noted as "MAX. ON CENTER" must be adjusted to maintain the min. edge distance to mortar joints, additional concrete anchors may be required to ensure the "MAX. ON CENTER" dimensions are not exceeded.
 3. Concrete anchor table:

ANCHOR TYPE	ANCHOR SIZE	MIN. EMBEDMENT	MIN. CLEARANCE TO MASONRY EDGE	MIN. CLEARANCE TO ADJACENT ANCHOR
ITW	1/4"	1-1/4"	2-1/2"	3"
ELCO	1/4"	1-1/4"	1"	4"

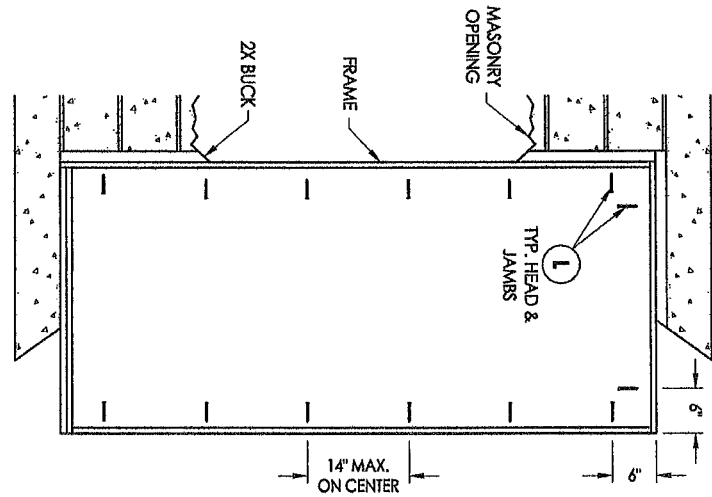
BUCK ANCHORING



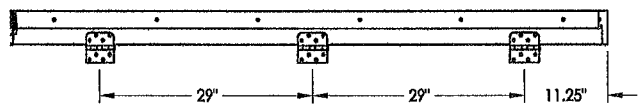
STRIKE JAMB



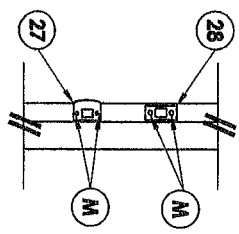
FRAME ANCHORING
Masonry 2X buck construction



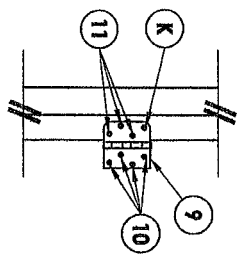
HINGE JAMB



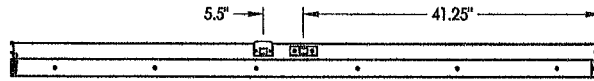
LATCH & DEADBOLT DETAIL



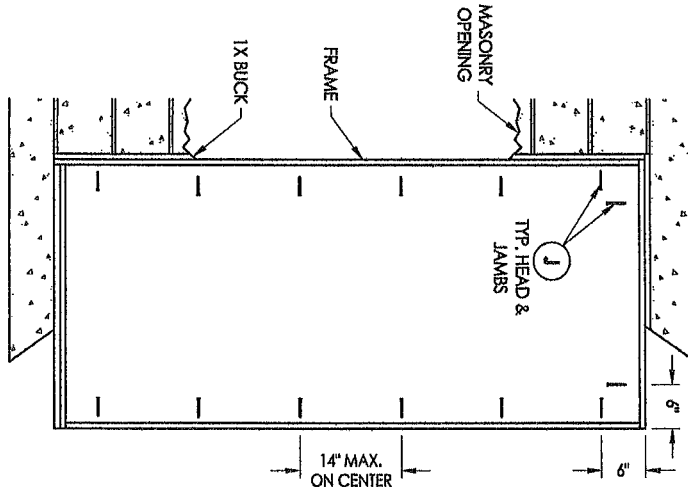
HINGE DETAIL



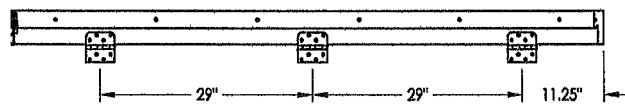
DATE: 02/16/12 SCALE: N.T.S. DWS. BY: JK CRK. BY: LFS DRAWING NO.: FL-15213.14 SHEET 5 OF 7	PRODUCT: PLASTPRO INC. FIBERGLASS DOOR	Documents Prepared By: RW BUILDING CONSULTANTS, INC. P.O. Box 230 Vero Beach, FL 33595 Phone No.: 813.659.9197 Florida Board of Professional Engineers Certificate of Authorization No. 9813 Lyndon F. Schmidt, P.E. No. 43400
	PART OR ASSEMBLY: BUCK AND FRAME ANCHORING 2X BUCK MASONRY CONSTRUCTION	
REVISIONS NO. DATE BY	BY	2.17.12



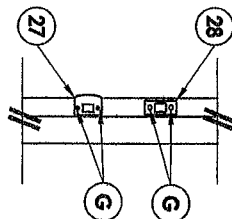
STRIKE JAMB



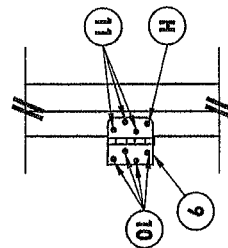
FRAME ANCHORING
Masonry 1x buck construction



HINGE JAMB



LATCH & DEADBOLT DETAIL



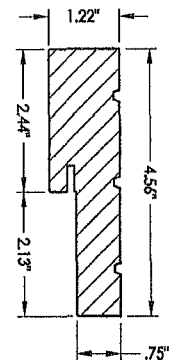
HINGE DETAIL

- CONCRETE ANCHOR NOTES:**
1. Substitution of equal concrete anchors from a different supplier may have different edge distance and center distance requirements.
 2. Concrete anchor locations of the corners may be adjusted to maintain the min. edge distance to mortar joints. If concrete anchor locations noted as "MAX. ON CENTER" must be adjusted to maintain the min. edge distance to mortar joints, additional concrete anchors may be required to ensure the "MAX. ON CENTER" dimensions are not exceeded.
 3. Concrete anchor table:

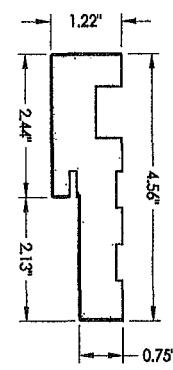
ANCHOR TYPE	ANCHOR SIZE	MIN. EMBEDMENT	MIN. CLEARANCE TO MASONRY EDGE	MIN. CLEARANCE TO ADJACENT ANCHOR
ITW	1/4"	1-1/4"	2-1/2"	3"
ITW	3/16"	1-1/4"	2-5/8"	2-1/4"

SHEET 6 OF 7 DRAWING NO.: FL-15213.14 CHK. BY: JFS DATE: 02/16/12 SCALE: N.T.S. Dwg. BY: JK	PRODUCT: PLASTPRO INC. FIBERGLASS DOOR	Documents Prepared By: RW BUILDING CONSULTANTS, INC. P.O. Box 230 Valrico, FL 33595 Phone No.: 813.659.9197 Florida Board of Professional Engineers Certificate Of Authorization No. 9815 Lyndon F. Schmidt, P.E. No. 43409
	PART OR ASSEMBLY: FRAME ANCHORING 1X BUCK MASONRY CONSTRUCTION	
NO. DATE REVISIONS	BY	2/17/12

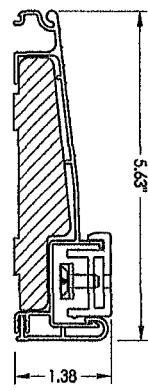
ITEM	DESCRIPTION	MATERIAL
A	1X BUCK SG >= 0.55	WOOD
B	2X BUCK SG >= 0.55	WOOD
C	1/4" MAX SHIM SPACE	
D	1/4" X 2-3/4" PHH ELCO OR TW CONCRETE SCREW	STEEL
E	MASONRY - 3.192 PSI MIN. CONCRETE CONFORMING TO ACI 301 OR HOLLOW BLOCK CONFORMING TO ASTM C90	CONCRETE
G	3/16" X 3-1/4" PHH TW CONCRETE SCREW	STEEL
H	1/4" X 3-1/4" PHH TW CONCRETE SCREW	STEEL
J	1/4" X 3-3/4" PHH TW CONCRETE SCREW	STEEL
K	#10 X 2" PHH WOOD SCREW	STEEL
L	#8 X 2-1/2" PHH WOOD SCREW	STEEL
M	#8 X 2" PHH WOOD SCREW	STEEL
N	FORCE 5 WEATHER STRIPPING BY ENDURA	FOAM
8	COMPRESSION WEATHER STRIP QLON 650 BY SCHLEGEL	FOAM
9	4" X 4" BUTT HINGE	STEEL
10	#9 X 1" PHH WOOD SCREW	STEEL
11	#9 X 3/4" PHH WOOD SCREW	STEEL
17	KWIKSET KEYPAD ENTRY - SIGNATURE SERIES	STEEL
18	KWIKSET DEADBOLT - SIGNATURE SERIES (780)	STEEL
20	FINGER JOINTED PINE FRAME, HEAD & HINGE JAMBS	WOOD
21	POLYMER JAMB	COMP. / VINYL
22	LATCH STRIKE PLATE	STEEL
28	DEADBOLT STRIKE PLATE	STEEL
30	INSWING VINYL DOOR BOTTOM SWEEP BY ENDURA	VINYL
31	OUTSWING BUMP THRESHOLD	ALUM. / WOOD
32	VINYL DOOR BOTTOM SWEEP #3628 BY HOLM IND.	PVC
33	INSWING ADJUSTABLE THRESHOLD BY ENDURA	ALUM. / WOOD
34	INSWING ADJUSTABLE ALUMINUM THRESHOLD BY DLP	ALUM. / WOOD
40	DOOR PANEL - SEE DOOR PANEL DETAIL SHEET FOR CONSTRUCTION DETAILS	
41	DOOR SKIN (MIN. 0.075" THICK)	FIBERGLASS
42	TOP RAIL	CELLULAR/PVC
43	LATCH & HINGE STILE	CELLULAR/PVC
44	REINFORCEMENT WOOD FOR LOCKS (20" LONG)	WOOD
45	BOTTOM RAIL	CELLULAR/PVC
46	POLYURETHANE FOAM BY NAN YA	POLYURETHANE
47	CONTINUOUS LATCH & HINGE STILE REINFORCEMENT	WOOD
49	GLAZING COMPOUND	SILICONE
55	LIP LITE ODL/WESTERN RELECTIONS HP	POLYPROPYLENE
56	GLAZING SPACER	ALUM.
57	#8 X 1-1/2" PHH LITE FRAME SCREW	STEEL



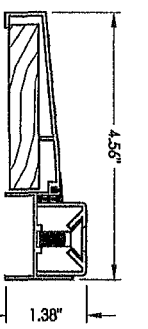
20 HEAD & SIDE JAMB



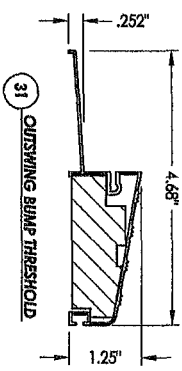
21 HEAD & SIDE POLYURETHANE JAMB



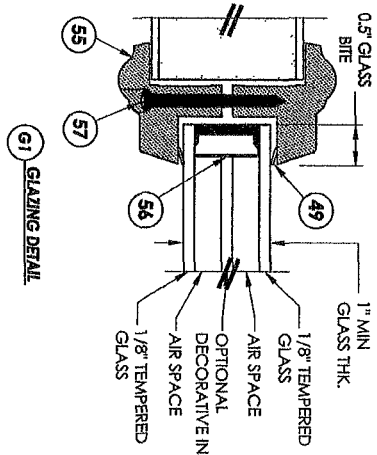
20 ADJUSTABLE INSWING THRESHOLD



21 ADJUSTABLE INSWING THRESHOLD

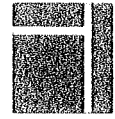


31 OUTSWING BUMP THRESHOLD



G1 GLAZING DETAIL

Documents Prepared By: RW BUILDING CONSULTANTS, INC. P.O. Box 230 Valrico FL 33598 Phone No.: 813.659.9197 Florida Board of Professional Engineers Certificate Of Authorization No. 0813 Lyndon F Schmidt, P.E. No. 43409	
PRODUCT: PLASTPRO INC. FIBERGLASS DOOR	PART OR ASSEMBLY: BILL OF MATERIALS, GLAZING DETAIL & COMPONENTS
DATE: 02/16/12 SCALE: N.T.S. DWG. BY: JK CHK. BY: LFS DRAWING NO.: FL-15213.14	NO. DATE REVISIONS
SHEET 7 OF 7	



plastpro

5200 W. CENTURY BLVD.
LOS ANGELES, CA 90045

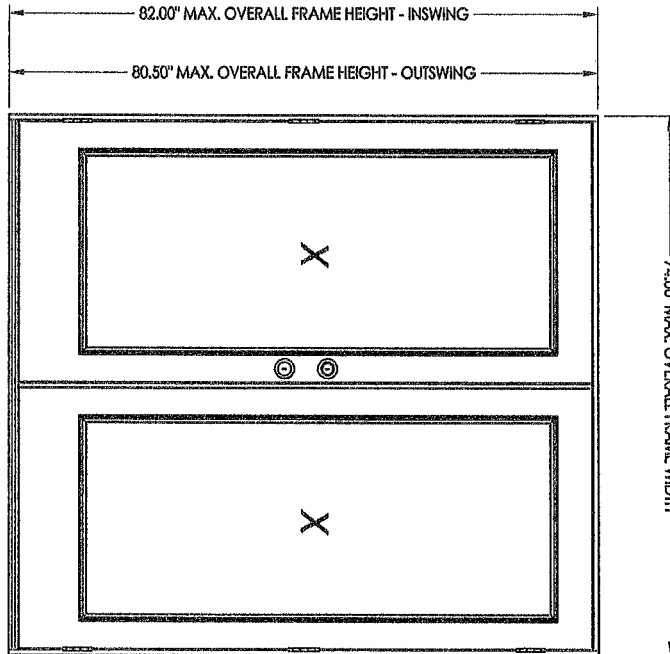
**Smooth / Wood Grain / White Wood Grain
Rustic / Mahogany
Series N Fiberglass Door
INSWING / OUTSWING
"NON-IMPACT"**

GENERAL NOTES

1. This product has been evaluated and is in compliance with the 2010 Florida Building Code (FBC) structural requirements excluding the "High Velocity Hurricane Zone" (HVHZ).
2. Product anchors shall be as listed and spaced as shown on details. Anchor embedment to base material shall be beyond wall dressing or stucco.
3. When used in areas requiring wind borne debris protection this product is required to be protected with an impact resistant covering that complies with Section 1609.1.2 of the FBC.
4. For 2x stud framing construction, anchoring of these units shall be the same as that shown for 2x buck masonry construction.
5. Site conditions that deviate from the details of this drawing require further engineering analysis by a licensed engineer or registered architect.

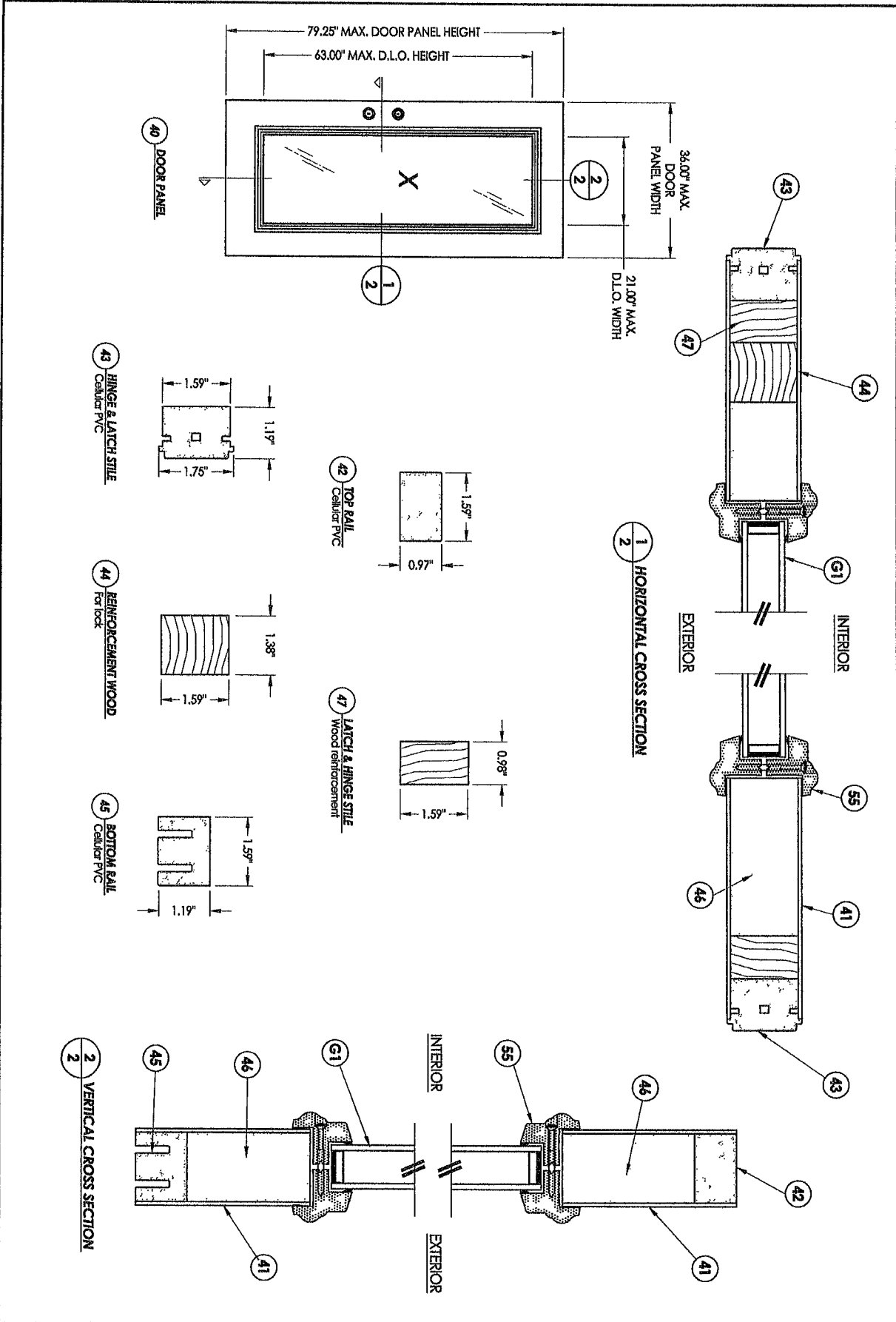
TABLE OF CONTENTS

SHEET #	DESCRIPTION
1	Typical elevation, design pressures, & general notes
2	Door panel details
3	Horizontal cross sections
4	Vertical cross sections
5	Buck and frame anchoring - 2X buck masonry construction
6	Frame anchoring - 1X buck masonry construction
7	Endura castrogl details
8	Bill of materials, glazing detail & components

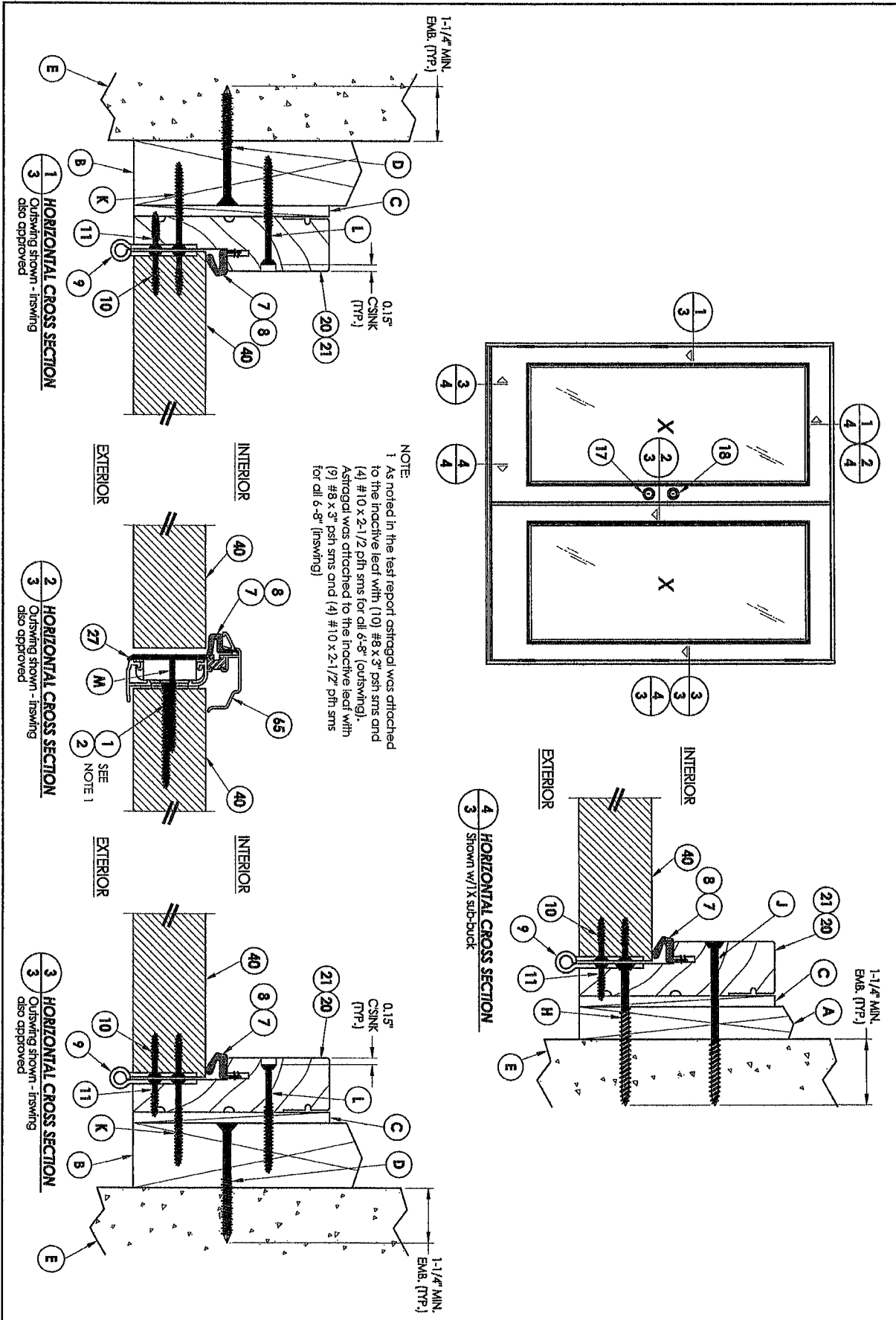


SWING	OVERALL FRAME DIMENSION	DOOR D.L.O. DIMENSION	GLASS TYPE	DESIGN PRESSURE (PSF)
INSWING	74.00" x 82.00"	21.00" x 63.00"	G1	+47.0 / -47.0
OUTSWING	74.00" x 80.50"	21.00" x 63.00"		+50.0 / -50.0

PRODUCT: PLASTPRO INC. FIBERGLASS DOOR PART OR ASSEMBLY: TYPICAL ELEVATION, DESIGN PRESSURES & GENERAL NOTES	Documents Prepared By: RW BUILDING CONSULTANTS, INC. P.O. Box 230 Valrico FL 33595 Phone No.: 813.659.0187 Florida Board of Professional Engineers Certificate of Authorization No. 9813 17-02 2-17-12 Lyndon F. Schmidt, P.E. No. 43409
	DATE: 02/16/12 SCALE: N.T.S. DES. BY: JK CHK. BY: LFS DRAWING NO.: FL-15213.17 SHEET 1 OF 8

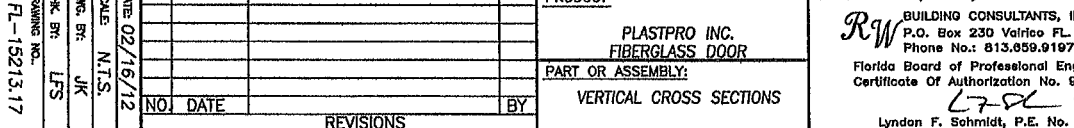
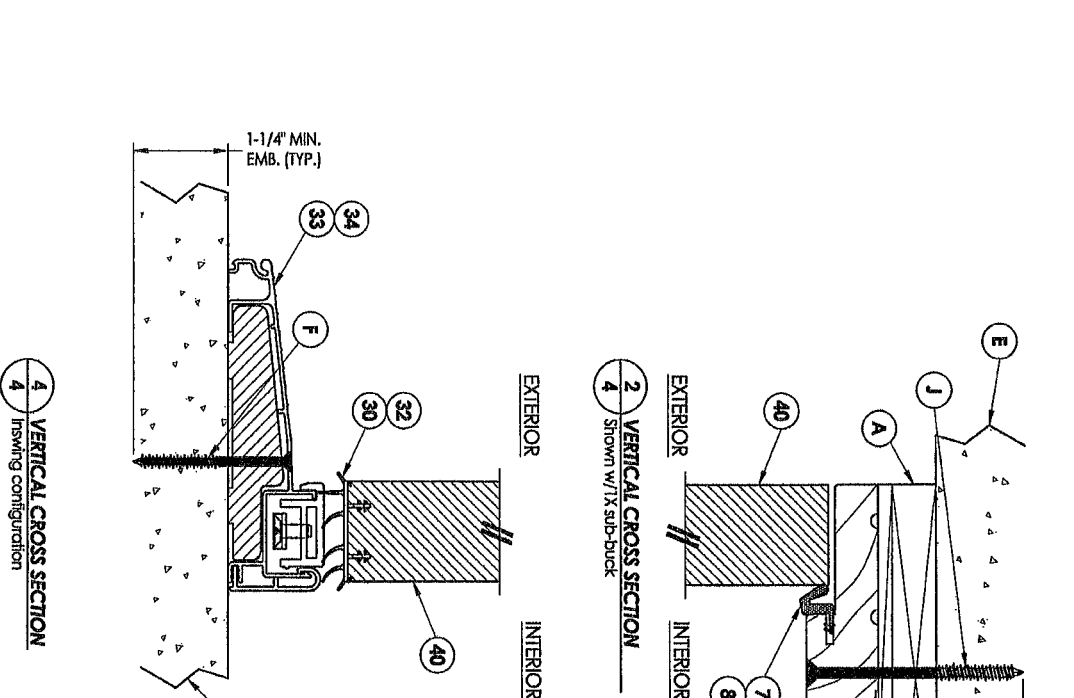
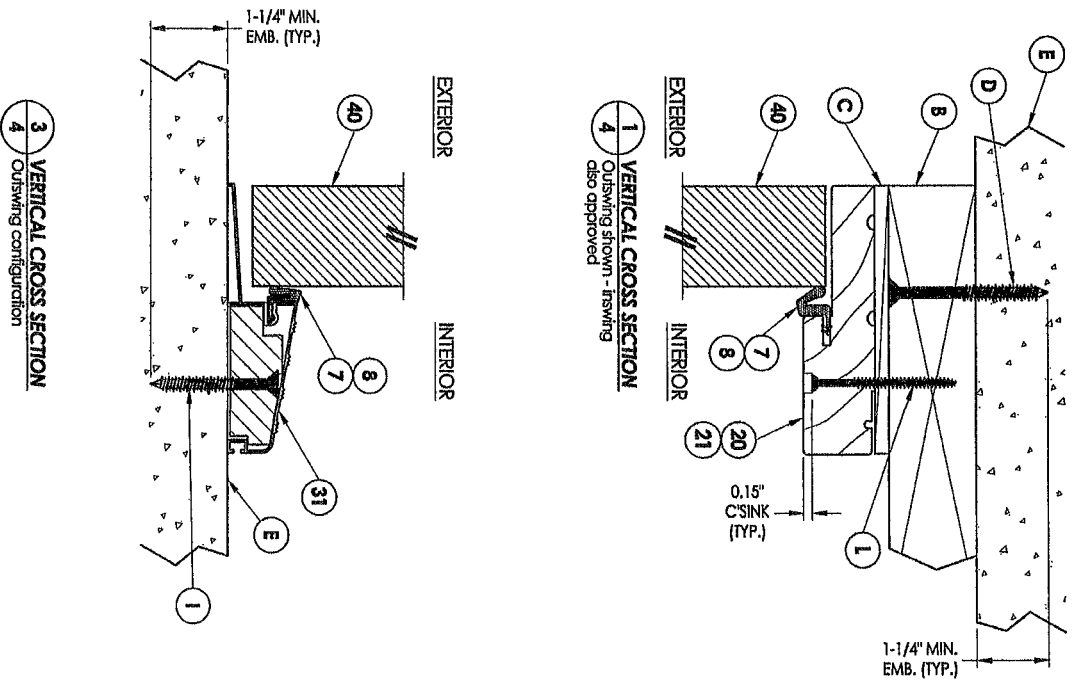


DATE: 02/16/12 SCALE: N.T.S. DWG. BY: JK CHK. BY: LFS DRAWING NO.: FL-15213.17 SHEET 2 OF 8		PRODUCT: PLASTPRO INC. FIBERGLASS DOOR PART OR ASSEMBLY: DOOR PANEL DETAILS	Documents Prepared By: RW BUILDING CONSULTANTS, INC. P.O. Box 230 Valrico FL 33585 Phone No.: 813.659.9107 Florida Board of Professional Engineers Certificate of Authorization No. 9813 Lyndon F. Schmidt, P.E. No. 43408
NO.	DATE	BY	REVISIONS

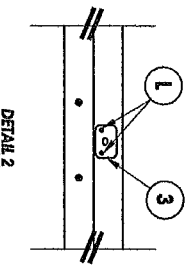
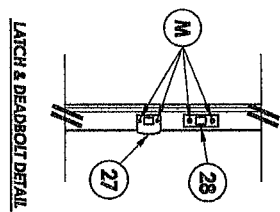
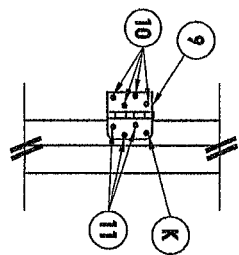
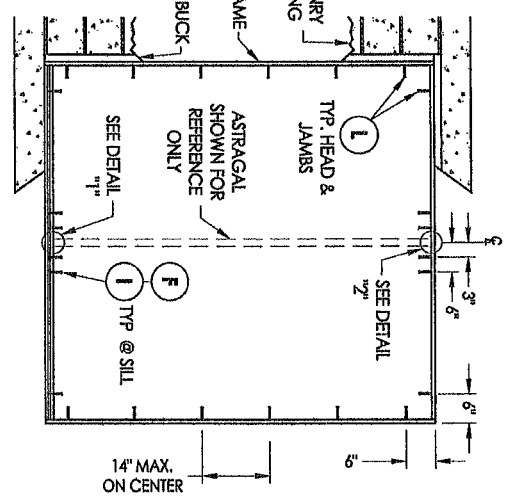
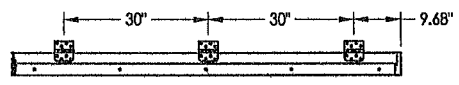
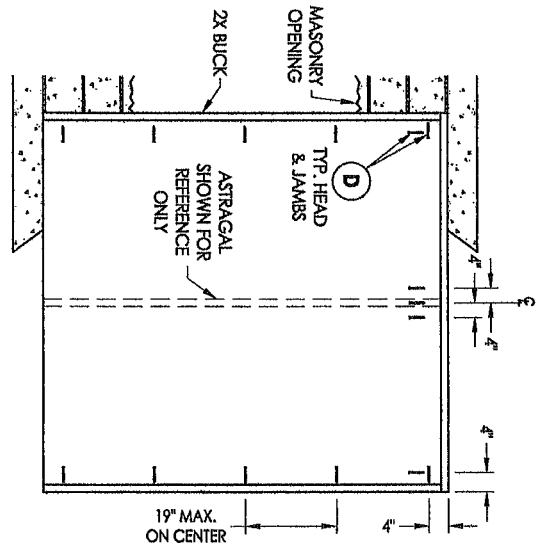


NOTE:
 1 As noted in the test report astragal was attached to the inactive leaf with (10) #8 x 3" psh sms and (4) #10 x 2-1/2" psh sms for all 6'-8" (outswing). Astragal was attached to the inactive leaf with (9) #8 x 3" psh sms and (4) #10 x 2-1/2" psh sms for all 6'-8" (inswing).

DATE: 02/16/12 SCALE: N.T.S. Dwg. Bn: JKS Ck. Bn: LFS DRAWING NO.: FL-15213.17 SHEET 3 OF 8		PRODUCT: PLASTPRO INC. FIBERGLASS DOOR PART OR ASSEMBLY: HORIZONTAL CROSS SECTIONS	Documents Prepared By: RW BUILDING CONSULTANTS, INC. P.O. Box 230 Valrico FL 33595 Phone No. 813.659.8187 Florida Board of Professional Engineers Certificate Of Authorization No. 9813 LFS 2.17.12 Lyndon F. Schmidt, P.E. No. 43409
NO. DATE REVISIONS		BY	



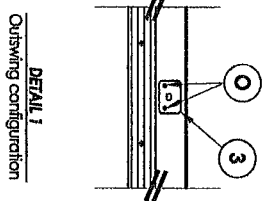
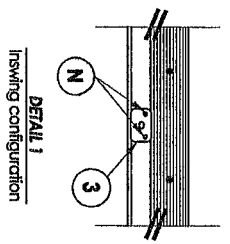
SHEET 4 OF 8	DRAWING NO. FL-15213.17	CHK. BY: LFS	DWG. BY: JK	SCALE: N.T.S.	DATE: 02/16/12	NO.	DATE	REVISIONS	BY	PRODUCT: PLASTPRO INC. FIBERGLASS DOOR	Documents Prepared By: <i>Rw</i> BUILDING CONSULTANTS, INC. P.O. Box 230 Vero Beach, FL 33595 Phone No.: 813.659.9187 Florida Board of Professional Engineers Certificate Of Authorization No. 9813 <i>LFS 2.17.12</i> Lyndon F. Schmidt, P.E. No. 43409
										PART OR ASSEMBLY: VERTICAL CROSS SECTIONS	



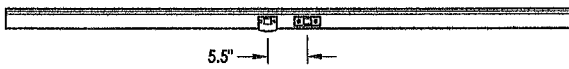
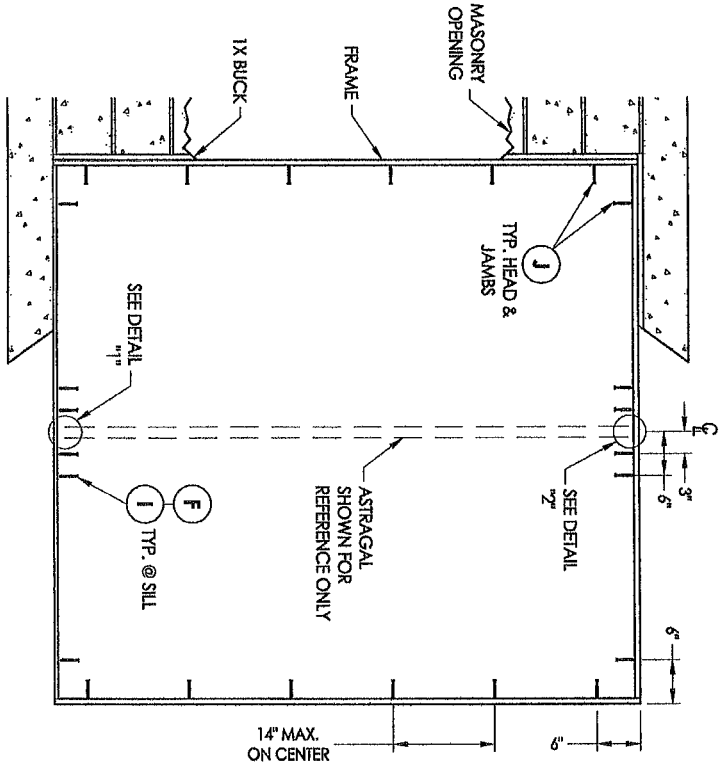
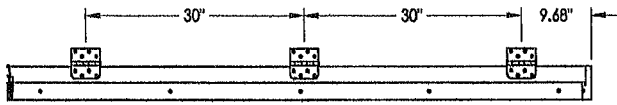
HINGE DETAIL

- CONCRETE ANCHOR NOTES:**
1. Substitution of equal concrete anchors from a different supplier may have different edge distance and center distance requirements.
 2. Concrete anchor locations of the corners may be adjusted to maintain the min. edge distance to mortar joints. If concrete anchor locations noted as "MAX. ON CENTER" must be adjusted to maintain the min. edge distance to mortar joints, additional concrete anchors may be required to ensure the "MAX. ON CENTER" dimensions are not exceeded.
 3. Concrete anchor table:

ANCHOR TYPE	ANCHOR SIZE	MIN. EMBEDMENT	MIN. CLEARANCE TO MASONRY EDGE	MIN. CLEARANCE TO ADJACENT ANCHOR
TW	1/4"	1-1/4"	2-1/2"	3"
ELCO	1/4"	1-1/4"	1"	4"
TW	3/16"	1-1/4"	2-5/8"	2-1/4"



PRODUCT: PLASTPRO INC. FIBERGLASS DOOR		Documents Prepared By: RW BUILDING CONSULTANTS, INC. P.O. Box 230 Valrico FL 33595 Phone No.: 813.659.9197 Florida Board of Professional Engineers Certificate of Authorization No. 9813 Lyndon F. Schmidt, P.E. No. 43409	
PART OR ASSEMBLY: BUCK & FRAME ANCHORING 2X BUCK MASONRY CONSTRUCTION		DATE: 9/4/08 SCALE: N.T.S. DWG. BY: JK CHK. BY: L/S DRAWING NO.: FL-15213.17 SHEET 5 OF 8	
NO.	DATE	REVISIONS	BY

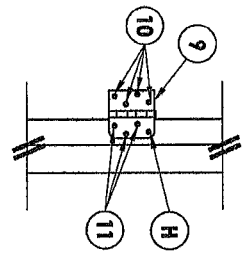


HINGE JAMB

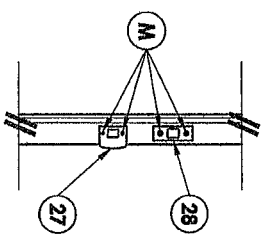
FRAME ANCHORING
Masonry 1x BUCK construction

ASTRAGAL STRIKE JAMB

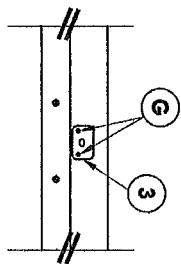
HINGE DETAIL



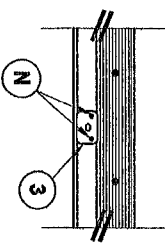
LATCH & DEADBOLT DETAIL



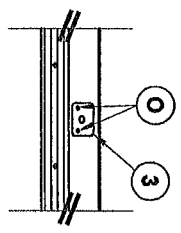
DETAIL 2



DETAIL 1
Inswing configuration



DETAIL 1
Outswinging configuration



- CONCRETE ANCHOR NOTES:**
- 1 Substitution of equal concrete anchors from a different supplier may have different edge distance and center distance requirements.
 - 2 Concrete anchor locations of the corners may be adjusted to maintain the min. edge distance to mortar joints. If concrete anchor locations noted as "MAX. ON CENTER" must be adjusted to maintain the min. edge distance to mortar joints, additional concrete anchors may be required to ensure the "MAX. ON CENTER" dimensions are not exceeded.
 - 3 Concrete anchor table:

ANCHOR TYPE	ANCHOR SIZE	MIN. EMBEDMENT	MIN. CLEARANCE TO MASONRY EDGE	MIN. CLEARANCE TO ADJACENT ANCHOR
ITW	1/4"	1-1/4"	2-1/2"	3"
ITW	3/16"	1-1/4"	2-5/8"	2-1/4"

DATE: 9/4/08 SCALE: N.T.S. DWG. BY: JK CHK. BY: LFS DRAWING NO.: FL-15213.17 SHEET: 6 OF 8		PRODUCT: PLASTPRO INC. FIBERGLASS DOOR PART OR ASSEMBLY: FRAME ANCHORING 1X BUCK MASONRY CONSTRUCTION	Documents Prepared By: RW BUILDING CONSULTANTS, INC. P.O. Box 230 Valrico FL 33595 Phone No.: 813.659.9197 Florida Board of Professional Engineers Certificate Of Authorization No. 9813 Lyndon F. Schmidt, P.E. No. 43409
NO. DATE REVISIONS		BY	2.12.12

