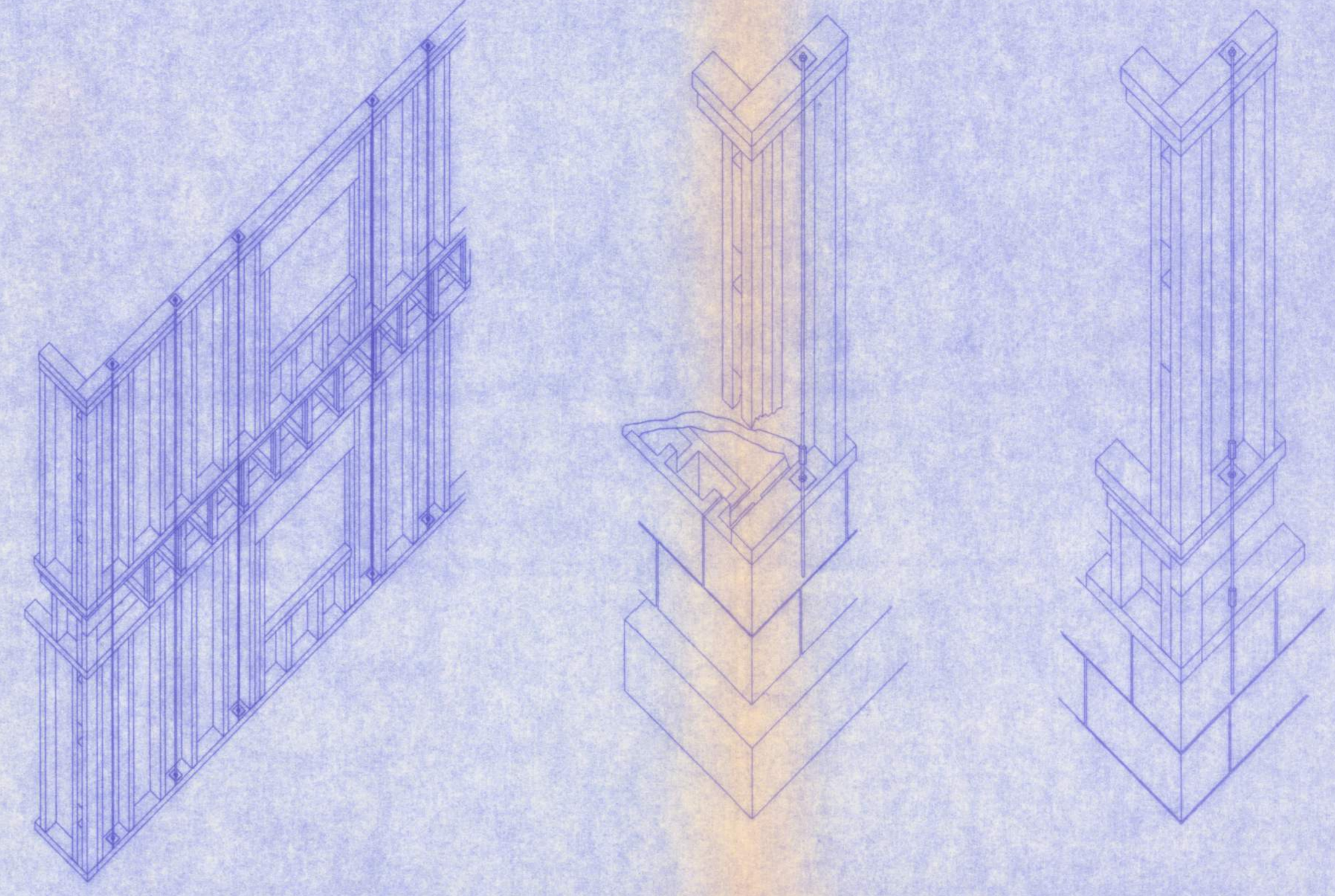
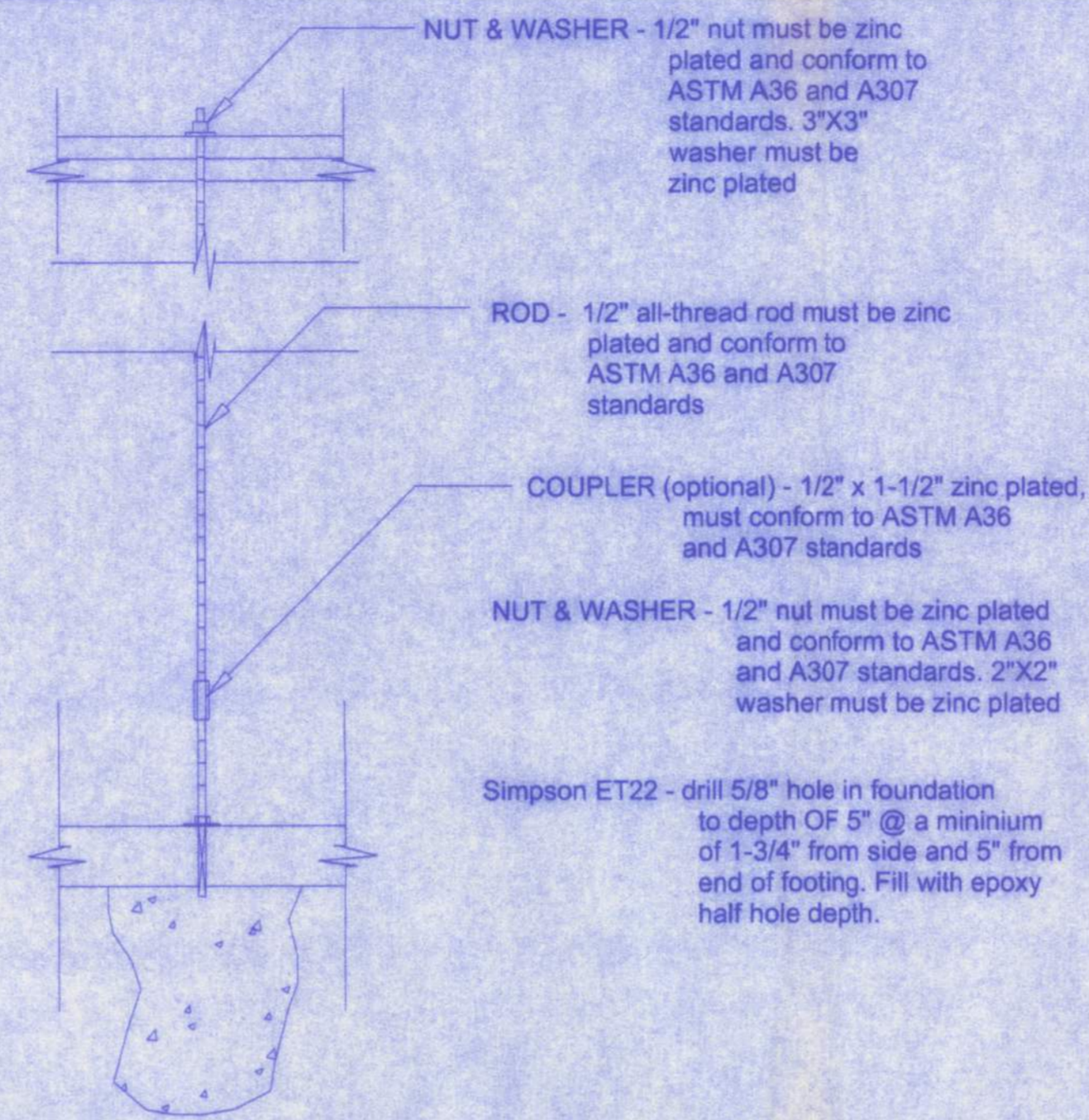
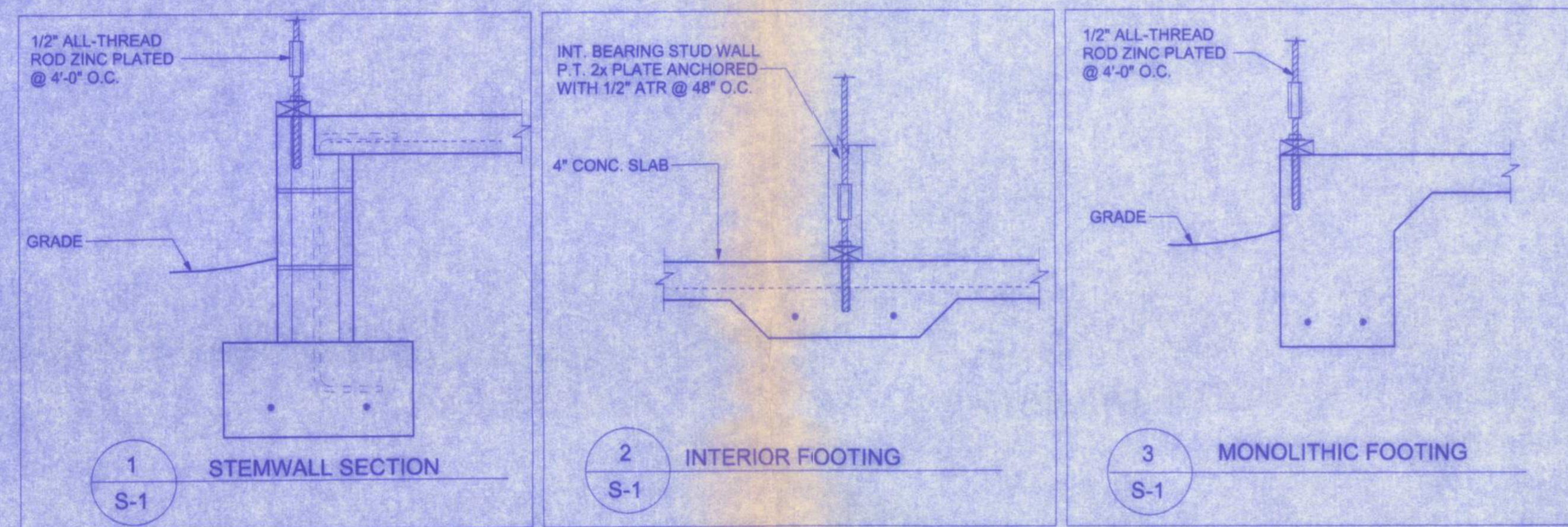


RULES:

1. One all-thread rod at each corner.
2. One all-thread rod at each end of shearwalls.
3. One all-thread rod at each end of opening headers.
4. All-thread rods at 4'-0" O.C. spacing through wall sections.
5. Check sub-sheathing to top plate connection for horizontal transfer capability.
6. If necessary, add all-thread rods to girders individually to exclude the from average uplift plf.
7. Check sole plate to slab connection, additional anchors may be required for lateral and shear load transfer.

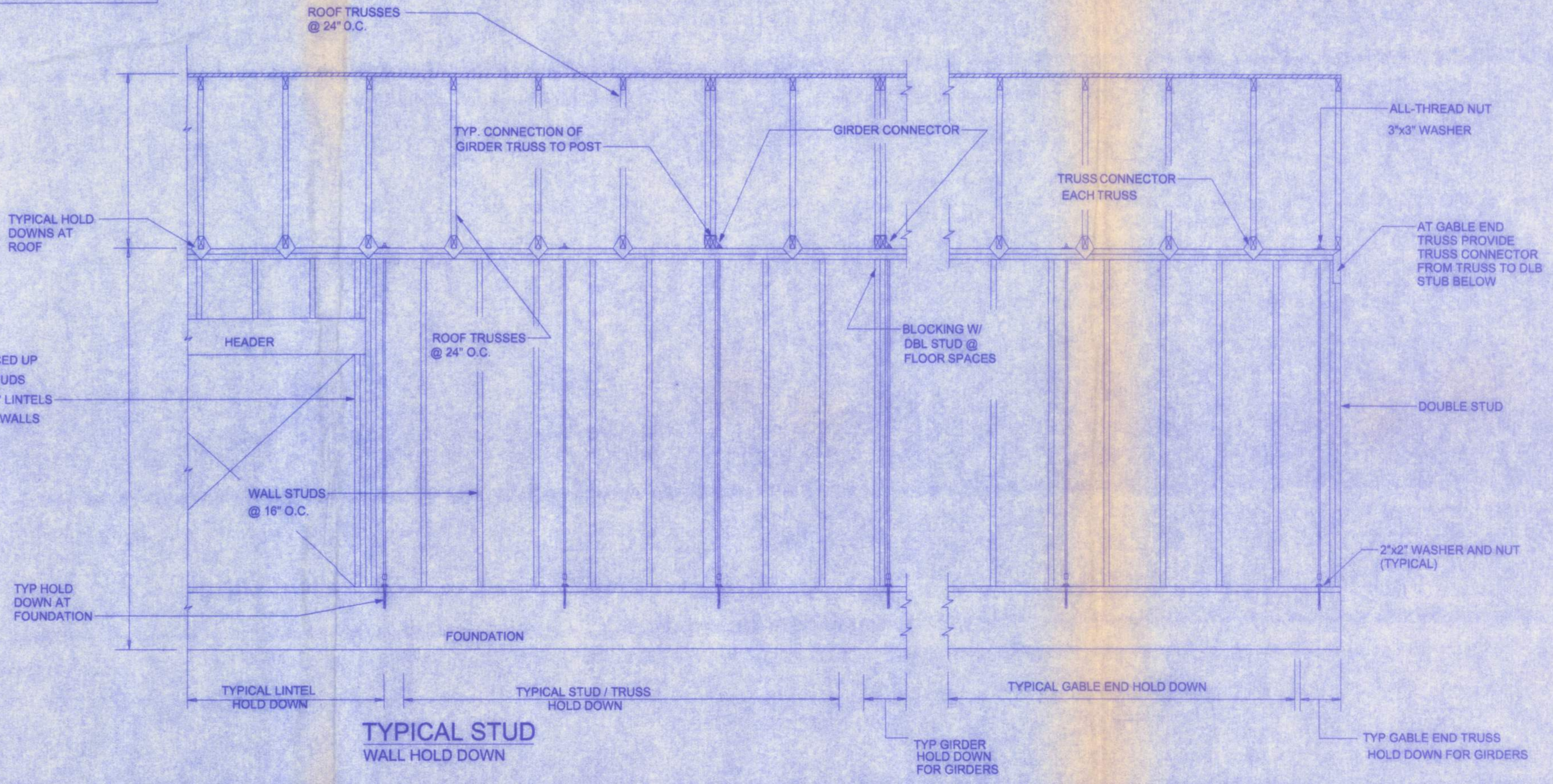
ALLOWABLE VALUES	
Connection Type	Allowable Value
Foundation / S.Y.P. Top Plate	3840 lbs.
Foundation / Spruce-Pine-Fir Top Plate	3840 lbs.
Lintel or Bond Beam / S.Y.P. Top Plate	3840 lbs.
Lintel or Bond Beam / Spruce-Pine-Fir Top Plate	3840 lbs.



Placement at slab level:

- Corners**
When presetting the all-thread rod at a building corner, the rod should be placed 8 to 12 inches away from the corner so it does not set under the corner framing members. When a all-thread rod is specified at a building corner, it may be placed on either side of the corner.
- Header ends**
When presetting the all-thread rod at a header end, the rod should be placed 8 to 12 inches away from the header end so it does not fall under the stud pack framing members.
- Top Connections**
Top connections made at corners and header ends shall be made within 2 inches of the framing pack. A nut and 3X3 washer shall be applied to the top plates and tightened securely.
- Intermediate Coupler Connections**
When using the rod coupler, care should be taken to ensure full and equal thread engagement. This is easily achieved by threading the coupler all the way onto the rod, then standing the two rods end to end, then threading the coupler back over the rod joint so each rod is halfway into the coupler.
- Retro-fits**
In the case of an all thread rod misplacement, the rod may be epoxied into the concrete.
- Sole plate to slab connection:**
The slab level sole plate shall be connected to the slab with the connectors specified and at the spacing specified within the design documents. All-thread rods shall be placed as per the design specifications. All-thread rods with a nut and washer at the sole plate will qualify as a sole plate connection but may require other anchors intermediate of the all-thread rod locations to qualify the specified spacing requirements.
- System Tightening:**
On multiple story applications, the all-thread rod system shall be rechecked for proper tension just before the walls are veneered. This will allow the all-thread rod system to compensate for the buildings dead load compression.

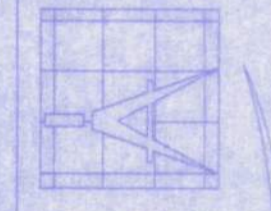
APPLIES TO ALL STUD WALLS SUPPORTING ROOF TRUSSES.



W.H.F.
1/17/05

CONTRERAS ADDITION

161 N.W. MADISON STREET
SUITE #102
LAKE CITY, FL 32055
(386)758-4209



Freeman
Design Group INC.

DATE	DRAWN BY
10/5/05	W.H.F.
REVISIONS	
SHEET	S-1
OF	1
PROJECT NO.	05.R034

CERTIFICATE OF AUTHORIZATION # 00000701