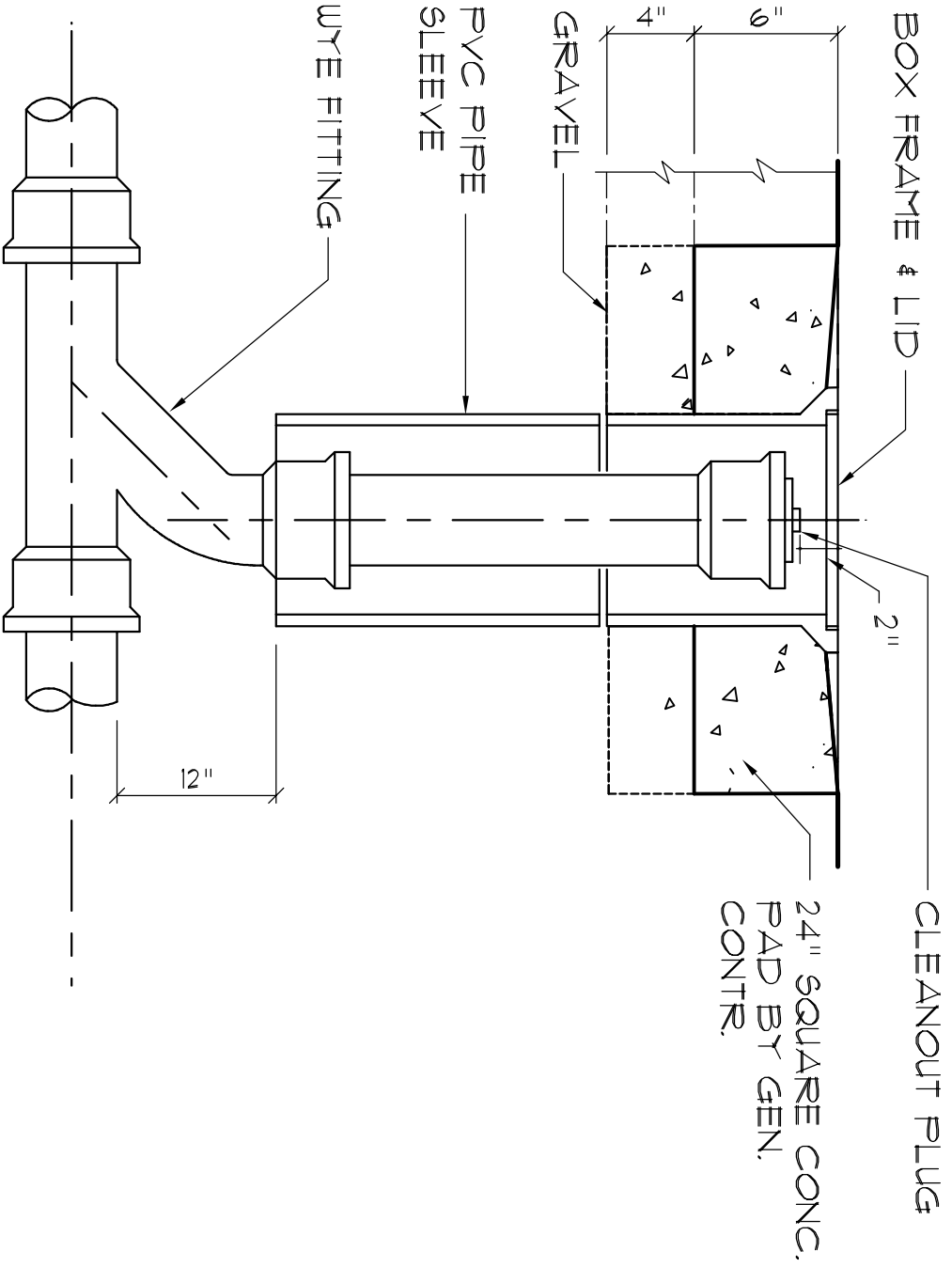
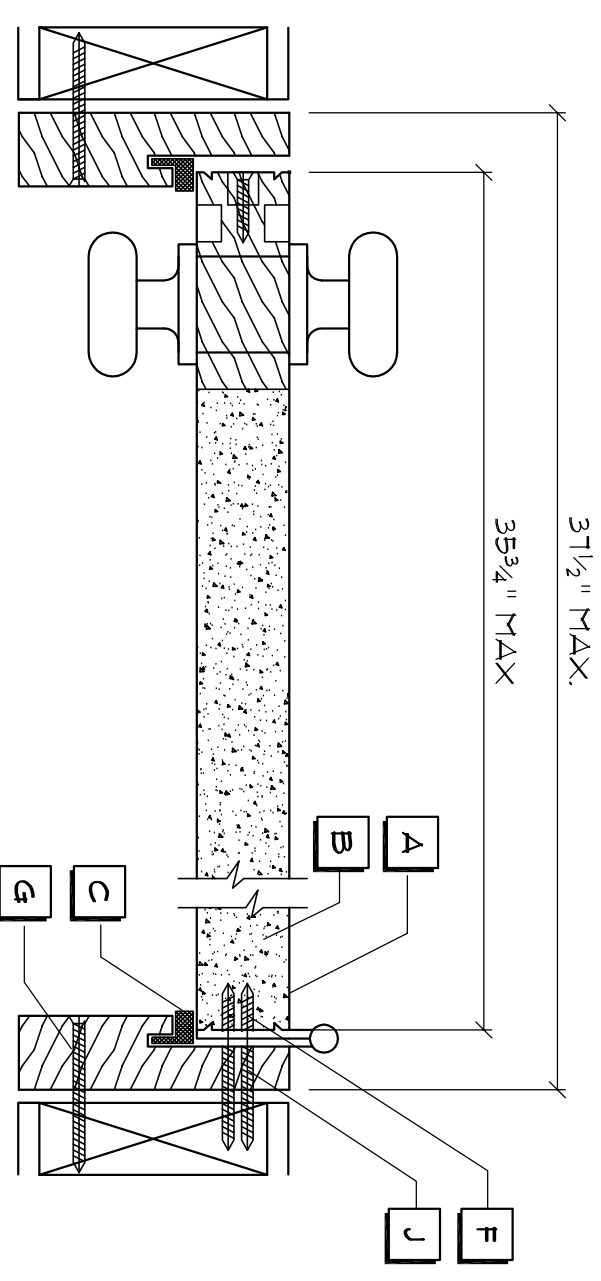


Electric Water Heater Detail
SCALE: NONE



Outdoor Cleanout Detail
N.T.S.



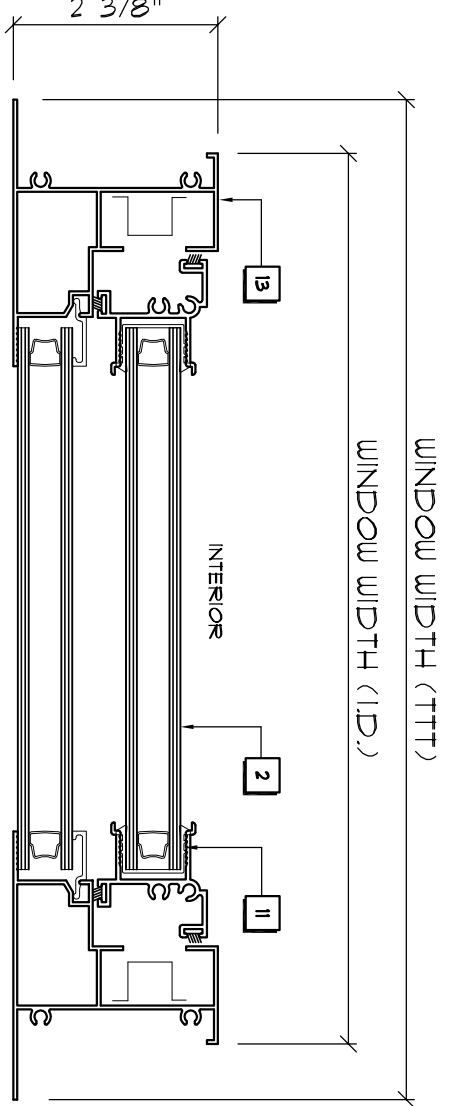
Exterior Door Details
SCALE: NONE

- Door Notes**
- A STEEL SKIN - 26 GA.
 - B POLYURETHANE FOAM CORE
 - C COMPRESSION WEATHER STRIP
 - D WOOD HEAD JAMB
 - E ALUMINUM BUMPER THRESHOLD
 - F #0-24 X 1/2" FHWS, (4) SCREWS PER HINGE INTO DOOR
 - G #0 X 3" FHWS, (5) SCREWS THROUGH HINGE JAMB, 8" DOWN FROM TOP MAX. 18" O.C. THEREAFTER.
 - H NOT USED
 - J #0 X 2" FHWS, (4) SCREWS THROUGH EACH HINGE INTO DOOR JAMB.
 - K #0 X 2" FHWS, (2) SCREWS THROUGH HEAD INTO HEADER

DESIGN PRESSURE RATINGS *
POSITIVE +16 0 PSF
NEGATIVE -16 0 PSF

* WHERE WATER INFILTRATION REQUIREMENT IS NOT NEEDED

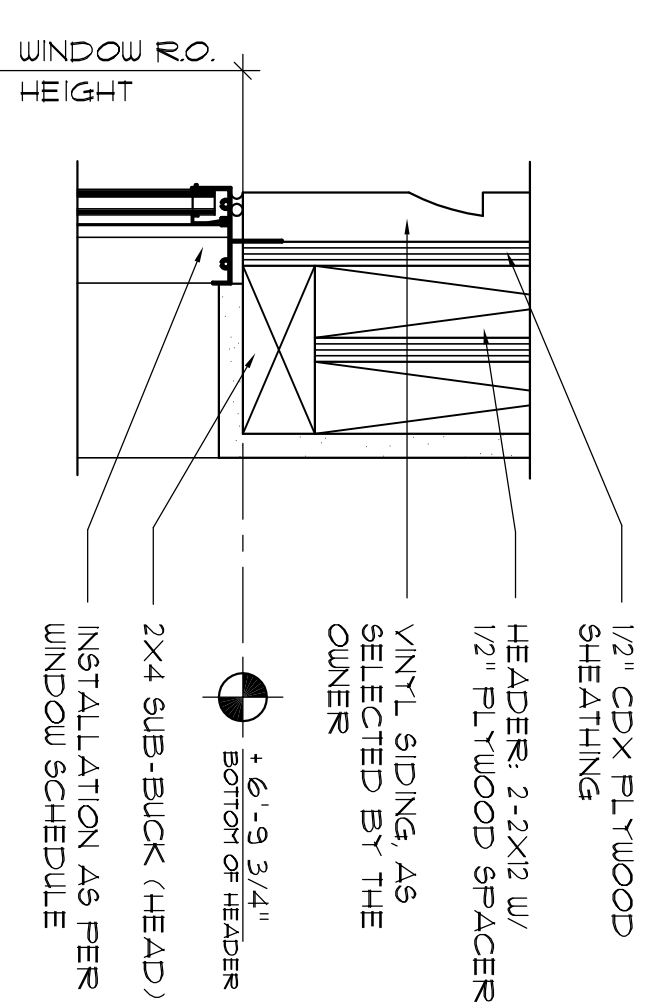
NOTE 1 | 1
EXTERIOR DOORS SHALL MEET OR EXCEED THE WIND RESISTANCE OF THE FOLLOWING PRODUCT:
SERIES ENERGY 6-8 W/ INSULING OPALAC RESIDENTIAL INSULATED STEEL DOOR W/ STEEL HEAD AS PAD BY "REHENDOR ENVT SYSTEMS"



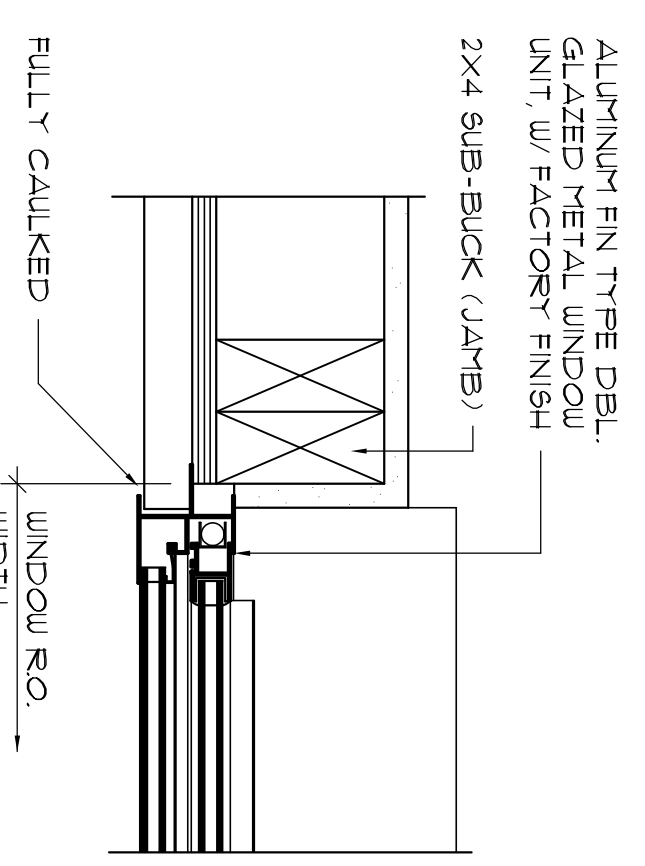
INSTALLATION	MODEL
1" ROOF G. NAILS @ 6" FROM CORNERS, 18" O.C.	SERIES 450
5" 1" ROOF G. NAILS EA. FLANGE, MAX. 18" O.C.	SERIES 650

NOTE 1 | 1
ALL WINDOWS ARE INSULATED AND WEATHERSTRIPPED AS MANUFACTURED BY THE HOME PRODUCTS, INC. - OTHER MANUFACTURER'S PRODUCTS SHALL BE CONSIDERED AS EQUAL IF THEIR WIND DESIGN PERFORMANCE MEETS OR EXCEEDS THESE UNITS.
NOTE: VERIFY ROUGH OPENING WINDOW REQUIREMENTS PRIOR TO CONSTRUCTION.
N1 - COMPLETE WITH PAN LITE AS PER SERIES 450
N2 - TESTING AS PER ASTM E1360

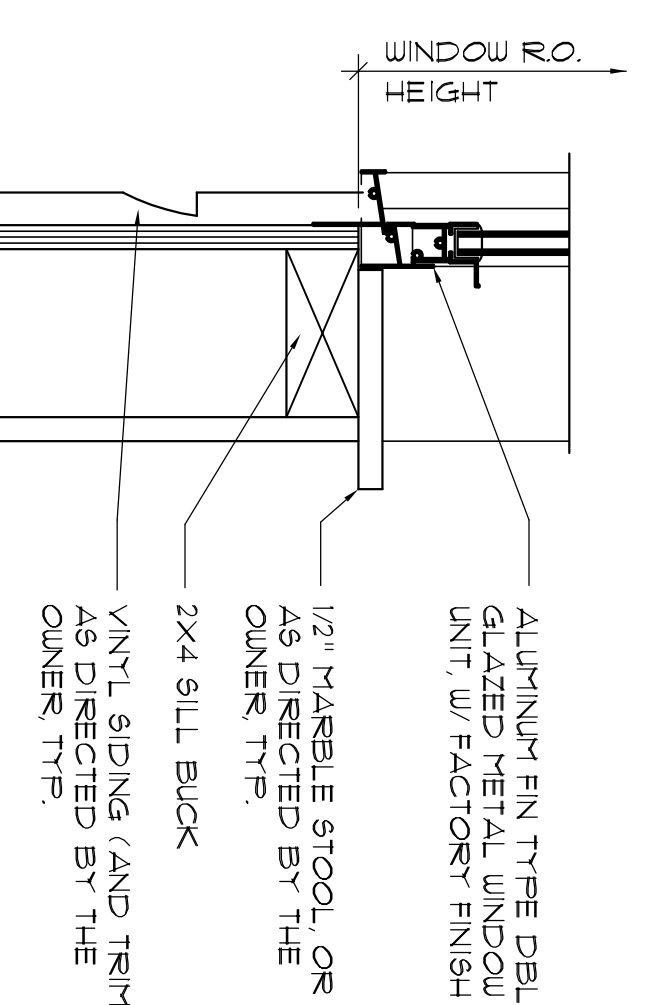
- Window Notes**
- 1 FLANGED HEAD
 - 2 INSULATED GLASS
 - 3 GLAZING BEAD
 - 4 LOCK
 - 5 SASH TOP RAIL
 - 6 SCREEN FRAME
 - 7 FIBERGLASS MESH
 - 8 BOTTOM SASH RAIL
 - 9 PIVOT BAR
 - 10 FLANGED SILL
 - 11 MARINE GLAZING
 - 12 FIXED MEETING RAIL
 - 13 FLANGED JAMB



HEAD DETAIL
M.T.L. SASH



JAMB DETAILS
M.T.L. SASH



SILL DETAIL
M.T.L. SASH

Typ. Window Details
SCALE: 3/4" = 1'-0"

CUSTOM RESIDENCE and AIRCRAFT HANGER for:
DON DOWNS
CANNON CREEK AIRPARK, COLUMBIA COUNTY, FLORIDA
ARCHITECTURAL DETAILS

Celebrating
54 Years of Service
1972-2026
N.P. Giesler, Architect
AR0007005



NICHOLAS PAUL GIESLER ARCHITECT

1728 NW Brown Rd
386-3610-4320
Copyright 2026
N.P. Giesler, Architect

MP8
DATE OF ISSUE
02 FEB 2026
DRAWN
2K2604

REVISIONS:
17 MAR 2026
SHEET:
A6
6 OF 7

AR0007005