

Columbia County Building Permit Application

Revised 9-23-04

For Office Use Only Application # 0711-74 Date Received 11/30/07 By CH Permit # 1489/26490
Application Approved by - Zoning Official BLK Date 06.12.07 Plans Examiner OKJTH Date 12-3-07
Flood Zone XP Plat Development Permit MA Zoning RSF-2 Land Use Plan Map Category RES. Low Den.
Comments Finish Floor Elevation 1 foot above Road

Applicants Name Trent Gieberg Const. Phone 397-0545
Address 697 SE Holly Terrace Lake City FL 32025
Owners Name Pete Giebe Phone 752-7968
911 Address 589 SW Gerald Conner Drive
Contractors Name Jot Gieberg Phone 397-0545
Address 697 SE Holly Terrace
Fee Simple Owner Name & Address
Bonding Co. Name & Address
Architect/Engineer Name & Address Freeman
Mortgage Lenders Name & Address

Circle the correct power company - FL Power & Light - Clay Elec. - Suwannee Valley Elec. - Progressive Energy
Property ID Number 23-45-16-03095-115 Estimated Cost of Construction 90,000
Subdivision Name Cannon Creek Place Lot 15 Block Unit 2 Phase
Driving Directions Sisters welcome south left on Kirtlighter
Right on SW Gerald Conner Drive

Type of Construction frame Number of Existing Dwellings on Property 0-0
Total Acreage Lot Size .51 Do you need a - Culvert Permit or Culvert Waiver or Have an Existing Drive
Actual Distance of Structure from Property Lines - Front 31.3 Side 45'10" Side 42'5" Rear 5'8"
Total Building Height 17'6" Number of Stories 1 Heated Floor Area 1608 Roof Pitch 6/12
TOTAL 2312

Application is hereby made to obtain a permit to do work and installations as indicated. I certify that no work or installation has commenced prior to the issuance of a permit and that all work be performed to meet the standards of all laws regulating construction in this jurisdiction.

OWNERS AFFIDAVIT: I hereby certify that all the foregoing information is accurate and all work will be done in compliance with all applicable laws and regulating construction and zoning.

WARNING TO OWNER: YOUR FAILURE TO RECORD A NOTICE OF COMMENCEMENT MAY RESULT IN YOU PAYING TWICE FOR IMPROVEMENTS TO YOUR PROPERTY. IF YOU INTEND TO OBTAIN FINANCING, CONSULT WITH YOUR LENDER OR ATTORNEY BEFORE RECORDING YOUR NOTICE OF COMMENCEMENT.

Trent Gieberg Const.
Owner Builder or Agent (Including Contractor)

Jot Gieberg
Contractor Signature
Contractors License Number RB282811523
Competency Card Number 000141
NOTARY STAMP/SEAL

STATE OF FLORIDA
COUNTY OF COLUMBIA
Sworn to (or affirmed) and subscribed before me
this 28th day of NOVEMBER 2007.
Personally known X or Produced Identification

Elaine K.
Notary Signature
ELAINE K. TOLAR
MY COMMISSION # DD 436381
EXPIRES: October 2, 2009
Bonded Thru Notary Public Underwriters

26490

Columbia County Building Department Culvert Permit

Culvert Permit No.

000001488

DATE 12/10/2007 PARCEL ID # 23-4S-16-03095-125

APPLICANT TRENT GIEBEIG PHONE 397-0545

ADDRESS 697 SE HOLLY TERRACE LAKE CITY FL 32025

OWNER PETE GIEBEIG PHONE 752-7968

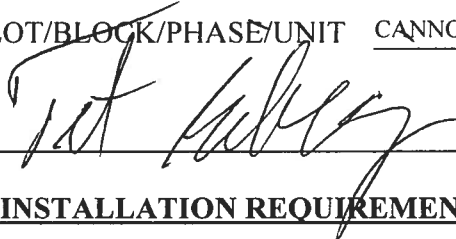
ADDRESS 139 SW JOSHUA CRT LAKE CITY FL 32024

CONTRACTOR TRENT GIEBEIG PHONE 397-0545

LOCATION OF PROPERTY 341 S. L KICKLIGHTER, R GERALD CONNER DR, L SW JOSHUA,
2ND ON THE LEFT

SUBDIVISION/LOT/BLOCK/PHASE/UNIT CANNON CREEK PLACE 25 2

SIGNATURE



INSTALLATION REQUIREMENTS

Culvert size will be 18 inches in diameter with a total length of 32 feet, leaving 24 feet of driving surface. Both ends will be mitered 4 foot with a 4 : 1 slope and poured with a 4 inch thick reinforced concrete slab.

INSTALLATION NOTE: Turnouts will be required as follows:

- a) a majority of the current and existing driveway turnouts are paved, or;
- b) the driveway to be served will be paved or formed with concrete.

Turnouts shall be concrete or paved a minimum of 12 feet wide or the width of the concrete or paved driveway, whichever is greater. The width shall conform to the current and existing paved or concreted turnouts.

Culvert installation shall conform to the approved site plan standards.

Department of Transportation Permit installation approved standards.

Other _____

**ALL PROPER SAFETY REQUIREMENTS SHOULD BE FOLLOWED
DURING THE INSTALATION OF THE CULVERT.**

135 NE Hernando Ave., Suite B-21
Lake City, FL 32055
Phone: 386-758-1008 Fax: 386-758-2160

Amount Paid 25.00



Columbia County Property Appraiser

DB Last Updated: 11/15/2007

2008 Proposed Values

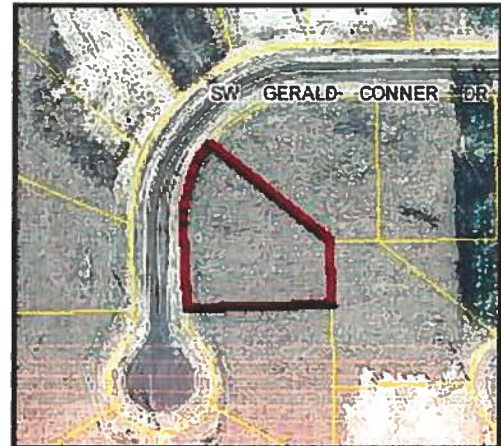
Parcel: 23-4S-16-03095-115

Search Result: 1 of 1

Owner & Property Info

Owner's Name	GIEBEIG PETER W		
Site Address	GERALD CONNER		
Mailing Address	P O BOX 1384 LAKE CITY, FL 32056		
Use Desc. (code)	VACANT (000000)		
Neighborhood	24416.00	Tax District	2
UD Codes	MKTA06	Market Area	06
Total Land Area	0.510 ACRES		
Description	LOT 15 CANNON CREEK PLACE UNIT 2.		

GIS Aerial



Property & Assessment Values

Mkt Land Value	cnt: (1)	\$36,000.00
Ag Land Value	cnt: (0)	\$0.00
Building Value	cnt: (0)	\$0.00
XFOB Value	cnt: (0)	\$0.00
Total Appraised Value		\$36,000.00

Just Value	\$36,000.00
Class Value	\$0.00
Assessed Value	\$36,000.00
Exempt Value	\$0.00
Total Taxable Value	\$36,000.00

Sales History

Sale Date	Book/Page	Inst. Type	Sale VImp	Sale Qual	Sale RCode	Sale Price
NONE						

Building Characteristics

Bldg Item	Bldg Desc	Year Blt	Ext. Walls	Heated S.F.	Actual S.F.	Bldg Value
NONE						

Extra Features & Out Buildings

Code	Desc	Year Blt	Value	Units	Dims	Condition (% Good)
NONE						

Land Breakdown

Lnd Code	Desc	Units	Adjustments	Eff Rate	Lnd Value
000000	VAC RES (MKT)	1.000 LT - (.510AC)	1.00/1.00/1.00/1.00	\$36,000.00	\$36,000.00

Columbia County Property Appraiser

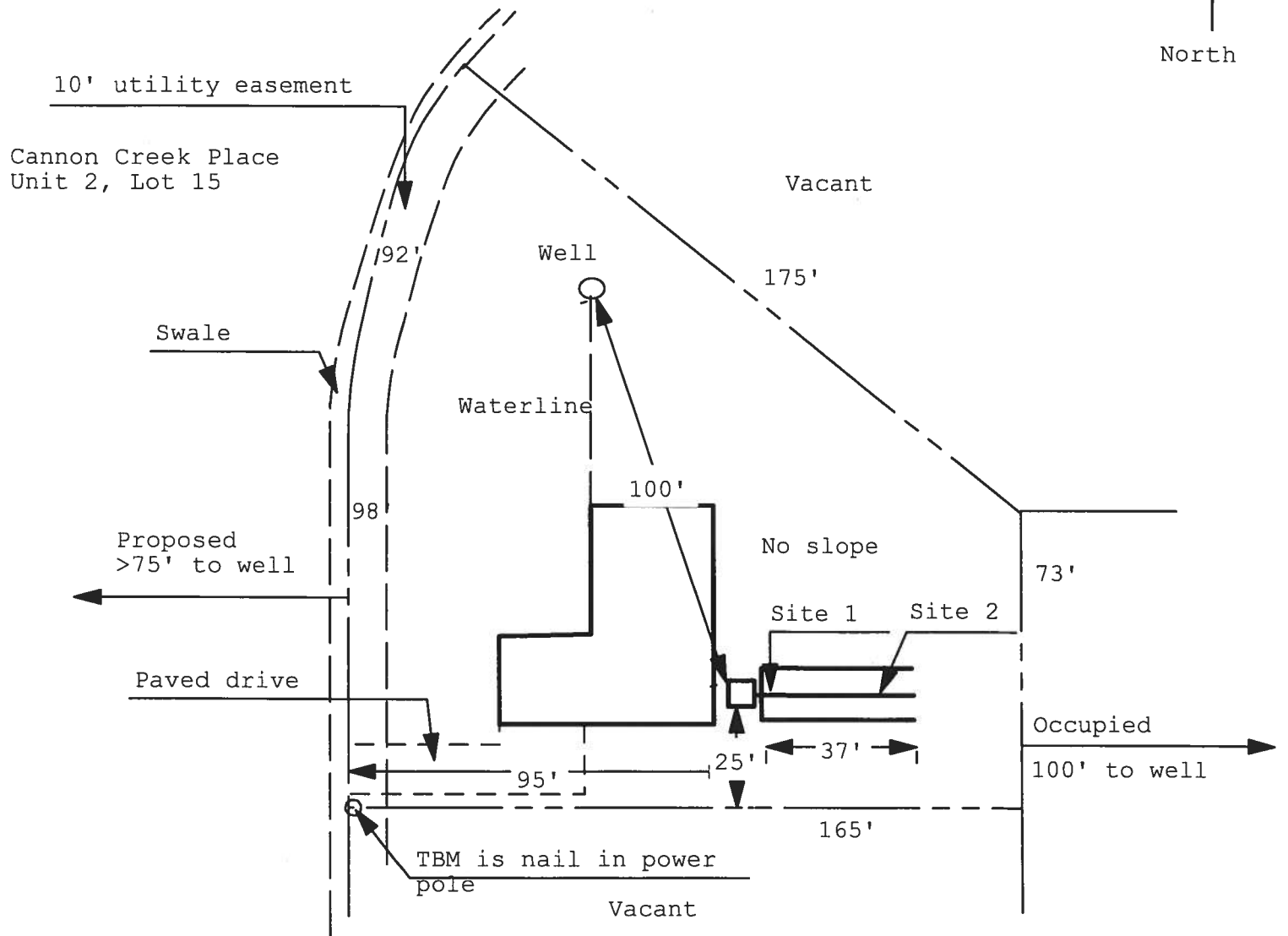
DB Last Updated: 11/15/2007

Application for Onsite Sewage Disposal System Construction Permit. Part II Site Plan

Permit Application Number: 07-0875

ALL CHANGES MUST BE APPROVED BY THE COUNTY HEALTH UNIT

GIEBEIG/CR 07-4157



1 inch = 40 feet

Site Plan Submitted By Paul Lloyd Date 11/8/07

Plan Approved Not Approved Date 11/15/07

By M 22 Col-b.c CPHU

Notes: _____

14. Cements-Adhesives – Coatings			
15. Roof Tile Adhesive			
16. Spray Applied Polyurethane Roof			
17. Other			
E. SHUTTERS			
1. Accordion			
2. Bahama			
3. Storm Panels			
4. Colonial			
5. Roll-up			
6. Equipment			
7. Others			
F. SKYLIGHTS			
1. Skylight			
2. Other			
G. STRUCTURAL COMPONENTS			
1. Wood connector/anchor			
2. Truss plates			
3. Engineered lumber			
4. Railing			
5. Coolers-freezers			
6. Concrete Admixtures			
7. Material			
8. Insulation Forms			
9. Plastics			
10. Deck-Roof			
11. Wall			
12. Sheds			
13. Other			
H. NEW EXTERIOR ENVELOPE PRODUCTS			
1.			
2.			

The products listed below did not demonstrate product approval at plan review. I understand that at the time of inspection of these products, the following information must be available to the inspector on the jobsite; 1) copy of the product approval, 2) the performance characteristics which the product was tested and certified to comply with, 3) copy of the applicable manufacturers installation requirements.

I understand these products may have to be removed if approval cannot be demonstrated during inspection

Contractor or Contractor's Authorized Agent Signature

Print Name Date

Location

Permit # (FOR STAFF USE ONLY)

Water Wells
Pumps & Service

Phone: (386) 752-6677
Fax: (386) 752-1477

Lynch Well Drilling, Inc.

173 SW Young Place
Lake City, FL 32025
www.lynchwelldrilling.com

November 6, 2007

To Whom It May Concern:

As required by building code regulations for Columbia County in order that a building permit can be issued, the following well information is provided with regard to the above-referenced well:

Size of Pump Motor:	1 Horse Power
Size of Pressure Tank:	81-Gallon Bladder Tank
Cycle Stop Valve Used:	No

Should you require any additional information, please contact us.

Sincerely,



Linda Newcomb
Lynch Well Drilling, Inc.

FLORIDA ENERGY EFFICIENCY CODE FOR BUILDING CONSTRUCTION

Florida Department of Community Affairs
Residential Whole Building Performance Method A

Project Name: Cannon Creek - Lot#15 Address: City, State: , Owner: Climate Zone: North	Builder: P. Geibeig Permitting Office: Permit Number: Jurisdiction Number:
------------------------------------------------------------------------------------------------------------------	--------------------------------------------------------------------------------------------

1. New construction or existing New <input type="checkbox"/> 2. Single family or multi-family Single family <input type="checkbox"/> 3. Number of units, if multi-family 1 <input type="checkbox"/> 4. Number of Bedrooms 3 <input type="checkbox"/> 5. Is this a worst case? No <input type="checkbox"/> 6. Conditioned floor area (ft ²) 1608 ft² <input type="checkbox"/> 7. Glass type ¹ and area: (Label reqd. by 13-104.4.5 if not default) a. U-factor: Description Area (or Single or Double DEFAULT) 7a. (Dble Default) 141.0 ft ² <input type="checkbox"/> b. SHGC: (or Clear or Tint DEFAULT) 7b. (Clear) 141.0 ft ² <input type="checkbox"/> 8. Floor types a. Slab-On-Grade Edge Insulation R=0.0, 221.0(p) ft <input type="checkbox"/> b. N/A <input type="checkbox"/> c. N/A <input type="checkbox"/> 9. Wall types a. Frame, Wood, Exterior R=13.0, 1394.4 ft² <input type="checkbox"/> b. N/A <input type="checkbox"/> c. N/A <input type="checkbox"/> d. N/A <input type="checkbox"/> e. N/A <input type="checkbox"/> 10. Ceiling types a. Under Attic R=30.0, 1608.0 ft² <input type="checkbox"/> b. N/A <input type="checkbox"/> c. N/A <input type="checkbox"/> 11. Ducts a. Sup: Con. Ret: Con. AH: Interior Sup. R=6.0, 53.0 ft <input type="checkbox"/> b. N/A <input type="checkbox"/>	12. Cooling systems a. Central Unit/Split Cap: 32.0 kBtu/hr <input type="checkbox"/> SEER: 13.00 <input type="checkbox"/> b. N/A <input type="checkbox"/> c. N/A <input type="checkbox"/> 13. Heating systems a. Electric Heat Pump/Split Cap: 32.0 kBtu/hr <input type="checkbox"/> HSPF: 8.50 <input type="checkbox"/> b. N/A <input type="checkbox"/> c. N/A <input type="checkbox"/> 14. Hot water systems a. Electric Resistance Cap: 20.0 gallons <input type="checkbox"/> EF: 0.94 <input type="checkbox"/> b. N/A <input type="checkbox"/> c. Conservation credits (HR-Heat recovery, Solar DHP-Dedicated heat pump) <input type="checkbox"/> 15. HVAC credits PT, CF, <input type="checkbox"/> (CF-Ceiling fan, CV-Cross ventilation, HF-Whole house fan, PT-Programmable Thermostat, MZ-C-Multizone cooling, MZ-H-Multizone heating)
---------------------------------------------------------------------------------------------------------------------------------------------------------------------------------------------------------------------------------------------------------------------------------------------------------------------------------------------------------------------------------------------------------------------------------------------------------------------------------------------------------------------------------------------------------------------------------------------------------------------------------------------------------------------------------------------------------------------------------------------------------------------------------------------------------------------------------------------------------------------------------------------------------------------------------------------------------------------------------------------------------------------------------------------------------------------------------------------------------------------------------------------------------------------------------------------------------------------------------------------------------------------------------------------------------------------------------------------------------------------------------------------------------------------------------------------------------------------------------------------------------------------------------------------------------------------------------------------------------------------------------------------------------------------------------------------------------------------------------------------------------------------------------------------------------------------------------------------------------------------------------	-----------------------------------------------------------------------------------------------------------------------------------------------------------------------------------------------------------------------------------------------------------------------------------------------------------------------------------------------------------------------------------------------------------------------------------------------------------------------------------------------------------------------------------------------------------------------------------------------------------------------------------------------------------------------------------------------------------------------------------------------------------------------------------------------------------------------------------------------------------------------------------------------------------------------------------------------------------------------------------------------------------------------------------------------------------------

Glass/Floor Area: 0.09	Total as-built points: 17761	PASS
	Total base points: 23128	

I hereby certify that the plans and specifications covered by this calculation are in compliance with the Florida Energy Code.

PREPARED BY: Delvin A. Niles


DATE: 11-8-07

I hereby certify that this building, as designed, is in compliance with the Florida Energy Code.

OWNER/AGENT: _____

DATE: _____

Review of the plans and specifications covered by this calculation indicates compliance with the Florida Energy Code. Before construction is completed this building will be inspected for compliance with Section 553.908 Florida Statutes.



BUILDING OFFICIAL: _____

DATE: _____

¹ Predominant glass type. For actual glass type and areas, see Summer & Winter Glass output on pages 2&4.
EnergyGauge® (Version: FLRCPB v4.5.2)

SUMMER CALCULATIONS

Residential Whole Building Performance Method A - Details

ADDRESS: , , ,	PERMIT #:
----------------	-----------

BASE	AS-BUILT																																											
GLASS TYPES .18 X Conditioned X BSPM = Points Floor Area	<table border="1" style="width:100%; border-collapse: collapse;"> <thead> <tr> <th rowspan="2">Type/SC</th> <th colspan="3">Overhang</th> <th rowspan="2">Area X SPM X SOF = Points</th> </tr> <tr> <th>Ornt</th> <th>Len</th> <th>Hgt</th> </tr> </thead> <tbody> <tr> <td>1.Double, Clear</td> <td>N</td> <td>1.0</td> <td>6.0</td> <td>30.0 19.20 0.98 561.0</td> </tr> <tr> <td>2.Double, Clear</td> <td>N</td> <td>1.0</td> <td>6.0</td> <td>20.0 19.20 0.98 374.0</td> </tr> <tr> <td>3.Double, Clear</td> <td>S</td> <td>1.0</td> <td>6.0</td> <td>48.0 35.87 0.94 1625.0</td> </tr> <tr> <td>4.Double, Clear</td> <td>S</td> <td>1.0</td> <td>6.0</td> <td>30.0 35.87 0.94 1015.0</td> </tr> <tr> <td>5.Double, Clear</td> <td>E</td> <td>1.0</td> <td>6.0</td> <td>5.0 42.06 0.97 203.0</td> </tr> <tr> <td>6.Double, Clear</td> <td>E</td> <td>1.0</td> <td>6.0</td> <td>8.0 42.06 0.97 326.0</td> </tr> <tr> <td colspan="4">As-Built Total:</td> <td>141.0 4104.0</td> </tr> </tbody> </table>	Type/SC	Overhang			Area X SPM X SOF = Points	Ornt	Len	Hgt	1.Double, Clear	N	1.0	6.0	30.0 19.20 0.98 561.0	2.Double, Clear	N	1.0	6.0	20.0 19.20 0.98 374.0	3.Double, Clear	S	1.0	6.0	48.0 35.87 0.94 1625.0	4.Double, Clear	S	1.0	6.0	30.0 35.87 0.94 1015.0	5.Double, Clear	E	1.0	6.0	5.0 42.06 0.97 203.0	6.Double, Clear	E	1.0	6.0	8.0 42.06 0.97 326.0	As-Built Total:				141.0 4104.0
Type/SC	Overhang			Area X SPM X SOF = Points																																								
	Ornt	Len	Hgt																																									
1.Double, Clear	N	1.0	6.0	30.0 19.20 0.98 561.0																																								
2.Double, Clear	N	1.0	6.0	20.0 19.20 0.98 374.0																																								
3.Double, Clear	S	1.0	6.0	48.0 35.87 0.94 1625.0																																								
4.Double, Clear	S	1.0	6.0	30.0 35.87 0.94 1015.0																																								
5.Double, Clear	E	1.0	6.0	5.0 42.06 0.97 203.0																																								
6.Double, Clear	E	1.0	6.0	8.0 42.06 0.97 326.0																																								
As-Built Total:				141.0 4104.0																																								
WALL TYPES Area X BSPM = Points	<table border="1" style="width:100%; border-collapse: collapse;"> <thead> <tr> <th>Type</th> <th>R-Value</th> <th>Area X SPM = Points</th> </tr> </thead> <tbody> <tr> <td>1. Frame, Wood, Exterior</td> <td>13.0</td> <td>1394.4 1.50 2091.6</td> </tr> <tr> <td colspan="2">As-Built Total:</td> <td>1394.4 2091.6</td> </tr> </tbody> </table>	Type	R-Value	Area X SPM = Points	1. Frame, Wood, Exterior	13.0	1394.4 1.50 2091.6	As-Built Total:		1394.4 2091.6																																		
Type	R-Value	Area X SPM = Points																																										
1. Frame, Wood, Exterior	13.0	1394.4 1.50 2091.6																																										
As-Built Total:		1394.4 2091.6																																										
DOOR TYPES Area X BSPM = Points	<table border="1" style="width:100%; border-collapse: collapse;"> <thead> <tr> <th>Type</th> <th>Area X SPM = Points</th> </tr> </thead> <tbody> <tr> <td>1.Exterior Insulated</td> <td>33.0 4.10 135.3</td> </tr> <tr> <td>2.Exterior Insulated</td> <td>39.6 4.10 162.4</td> </tr> <tr> <td colspan="2">As-Built Total:</td> <td>72.6 297.7</td> </tr> </tbody> </table>	Type	Area X SPM = Points	1.Exterior Insulated	33.0 4.10 135.3	2.Exterior Insulated	39.6 4.10 162.4	As-Built Total:		72.6 297.7																																		
Type	Area X SPM = Points																																											
1.Exterior Insulated	33.0 4.10 135.3																																											
2.Exterior Insulated	39.6 4.10 162.4																																											
As-Built Total:		72.6 297.7																																										
CEILING TYPES Area X BSPM = Points	<table border="1" style="width:100%; border-collapse: collapse;"> <thead> <tr> <th>Type</th> <th>R-Value</th> <th>Area X SPM X SCM = Points</th> </tr> </thead> <tbody> <tr> <td>1. Under Attic</td> <td>30.0</td> <td>1608.0 1.73 X 1.00 2781.8</td> </tr> <tr> <td colspan="2">As-Built Total:</td> <td>1608.0 2781.8</td> </tr> </tbody> </table>	Type	R-Value	Area X SPM X SCM = Points	1. Under Attic	30.0	1608.0 1.73 X 1.00 2781.8	As-Built Total:		1608.0 2781.8																																		
Type	R-Value	Area X SPM X SCM = Points																																										
1. Under Attic	30.0	1608.0 1.73 X 1.00 2781.8																																										
As-Built Total:		1608.0 2781.8																																										
FLOOR TYPES Area X BSPM = Points	<table border="1" style="width:100%; border-collapse: collapse;"> <thead> <tr> <th>Type</th> <th>R-Value</th> <th>Area X SPM = Points</th> </tr> </thead> <tbody> <tr> <td>1. Slab-On-Grade Edge Insulation</td> <td>0.0</td> <td>221.0(p) -41.20 -9105.2</td> </tr> <tr> <td colspan="2">As-Built Total:</td> <td>221.0 -9105.2</td> </tr> </tbody> </table>	Type	R-Value	Area X SPM = Points	1. Slab-On-Grade Edge Insulation	0.0	221.0(p) -41.20 -9105.2	As-Built Total:		221.0 -9105.2																																		
Type	R-Value	Area X SPM = Points																																										
1. Slab-On-Grade Edge Insulation	0.0	221.0(p) -41.20 -9105.2																																										
As-Built Total:		221.0 -9105.2																																										
INFILTRATION Area X BSPM = Points	<table border="1" style="width:100%; border-collapse: collapse;"> <thead> <tr> <th>Area X SPM = Points</th> </tr> </thead> <tbody> <tr> <td>1608.0 10.21 16417.7</td> </tr> </tbody> </table>	Area X SPM = Points	1608.0 10.21 16417.7																																									
Area X SPM = Points																																												
1608.0 10.21 16417.7																																												

SUMMER CALCULATIONS

Residential Whole Building Performance Method A - Details

ADDRESS: , , ,	PERMIT #:
----------------	-----------

BASE	AS-BUILT
Summer Base Points: 19216.9	Summer As-Built Points: 16587.6
Total Summer X System = Cooling Points Multiplier Points	Total X Cap X Duct X System X Credit = Cooling Component Ratio Multiplier Multiplier Multiplier Points (System - Points) (DM x DSM x AHU)
19216.9 0.3250 6245.5	(sys 1: Central Unit 32000btuh , SEER/EFF(13.0) Ducts: Con(S), Con(R), Int(AH), R6.0(INS) 16588 1.00 (1.00 x 1.147 x 0.91) 0.260 0.902 4062.6 16587.6 1.00 1.044 0.260 0.902 4062.6

WINTER CALCULATIONS

Residential Whole Building Performance Method A - Details

ADDRESS: , , ,	PERMIT #:
----------------	-----------

BASE			AS-BUILT						
Winter Base Points: 16204.8			Winter As-Built Points: 14389.3						
Total Winter Points	X System Multiplier	= Heating Points	Total Component (System - Points)	X Cap Ratio	X Duct Multiplier (DM x DSM x AHU)	X System Multiplier	X Credit Multiplier	= Heating Points	
16204.8	0.5540	8977.5	(sys 1: Electric Heat Pump 32000 btuh ,EFF(8.5) Ducts:Con(S),Con(R),Int(AH),R6.0 14389.3	1.000	(1.000 x 1.169 x 0.93)	0.401	0.950	5962.0	
			14389.3	1.00	1.087	0.401	0.950	5962.0	

WATER HEATING & CODE COMPLIANCE STATUS

Residential Whole Building Performance Method A - Details

ADDRESS: , , ,	PERMIT #:
----------------	-----------

BASE				AS-BUILT										
WATER HEATING				Tank	EF	Number of	X	Tank	X	Multiplier	X	Credit	=	Total
Number of	X	Multiplier	=	Volume		Bedrooms		Ratio				Multiplier		
Bedrooms														
3		2635.00	=	20.0	0.94	3		1.00		2578.94		1.00	=	7736.8
As-Built Total:													7736.8	

CODE COMPLIANCE STATUS													
BASE					AS-BUILT								
Cooling	+	Heating	+	Hot Water	=	Total	Cooling	+	Heating	+	Hot Water	=	Total
Points		Points		Points		Points	Points		Points		Points		Points
6245		8977		7905		23128	4063		5962		7737		17761

PASS



Code Compliance Checklist

Residential Whole Building Performance Method A - Details

ADDRESS: , , ,

PERMIT #:

6A-21 INFILTRATION REDUCTION COMPLIANCE CHECKLIST

COMPONENTS	SECTION	REQUIREMENTS FOR EACH PRACTICE	CHECK
Exterior Windows & Doors	606.1.ABC.1.1	Maximum: .3 cfm/sq.ft. window area; .5 cfm/sq.ft. door area.	
Exterior & Adjacent Walls	606.1.ABC.1.2.1	Caulk, gasket, weatherstrip or seal between: windows/doors & frames, surrounding wall; foundation & wall sole or sill plate; joints between exterior wall panels at corners; utility penetrations; between wall panels & top/bottom plates; between walls and floor. EXCEPTION: Frame walls where a continuous infiltration barrier is installed that extends from, and is sealed to, the foundation to the top plate.	
Floors	606.1.ABC.1.2.2	Penetrations/openings >1/8" sealed unless backed by truss or joint members. EXCEPTION: Frame floors where a continuous infiltration barrier is installed that is sealed to the perimeter, penetrations and seams.	
Ceilings	606.1.ABC.1.2.3	Between walls & ceilings; penetrations of ceiling plane of top floor; around shafts, chases, soffits, chimneys, cabinets sealed to continuous air barrier; gaps in gyp board & top plate; attic access. EXCEPTION: Frame ceilings where a continuous infiltration barrier is installed that is sealed at the perimeter, at penetrations and seams.	
Recessed Lighting Fixtures	606.1.ABC.1.2.4	Type IC rated with no penetrations, sealed; or Type IC or non-IC rated, installed inside a sealed box with 1/2" clearance & 3" from insulation; or Type IC rated with < 2.0 cfm from conditioned space, tested.	
Multi-story Houses	606.1.ABC.1.2.5	Air barrier on perimeter of floor cavity between floors.	
Additional Infiltration reqts	606.1.ABC.1.3	Exhaust fans vented to outdoors, dampers; combustion space heaters comply with NFPA, have combustion air.	

6A-22 OTHER PRESCRIPTIVE MEASURES (must be met or exceeded by all residences.)

COMPONENTS	SECTION	REQUIREMENTS	CHECK
Water Heaters	612.1	Comply with efficiency requirements in Table 612.1.ABC.3.2. Switch or clearly marked circuit breaker (electric) or cutoff (gas) must be provided. External or built-in heat trap required.	
Swimming Pools & Spas	612.1	Spas & heated pools must have covers (except solar heated). Non-commercial pools must have a pump timer. Gas spa & pool heaters must have a minimum thermal efficiency of 78%.	
Shower heads	612.1	Water flow must be restricted to no more than 2.5 gallons per minute at 80 PSIG.	
Air Distribution Systems	610.1	All ducts, fittings, mechanical equipment and plenum chambers shall be mechanically attached, sealed, insulated, and installed in accordance with the criteria of Section 610. Ducts in unconditioned attics: R-6 min. insulation.	
HVAC Controls	607.1	Separate readily accessible manual or automatic thermostat for each system.	
Insulation	604.1, 602.1	Ceilings-Min. R-19. Common walls-Frame R-11 or CBS R-3 both sides. Common ceiling & floors R-11.	

ENERGY PERFORMANCE LEVEL (EPL) DISPLAY CARD

ESTIMATED ENERGY PERFORMANCE SCORE* = 88.7
The higher the score, the more efficient the home.

. . . .

<p>1. New construction or existing New <input type="checkbox"/></p> <p>2. Single family or multi-family Single family <input type="checkbox"/></p> <p>3. Number of units, if multi-family 1 <input type="checkbox"/></p> <p>4. Number of Bedrooms 3 <input type="checkbox"/></p> <p>5. Is this a worst case? No <input type="checkbox"/></p> <p>6. Conditioned floor area (ft²) 1608 ft² <input type="checkbox"/></p> <p>7. Glass type¹ and area: (Label reqd. by 13-104.4.5 if not default)</p> <p style="margin-left: 20px;">a. U-factor: Description Area (or Single or Double DEFAULT) 7a. (Dble Default) 141.0 ft² <input type="checkbox"/></p> <p style="margin-left: 20px;">b. SHGC: (or Clear or Tint DEFAULT) 7b. (Clear) 141.0 ft² <input type="checkbox"/></p> <p>8. Floor types</p> <p style="margin-left: 20px;">a. Slab-On-Grade Edge Insulation R=0.0, 221.0(p) ft <input type="checkbox"/></p> <p style="margin-left: 20px;">b. N/A <input type="checkbox"/></p> <p style="margin-left: 20px;">c. N/A <input type="checkbox"/></p> <p>9. Wall types</p> <p style="margin-left: 20px;">a. Frame, Wood, Exterior R=13.0, 1394.4 ft² <input type="checkbox"/></p> <p style="margin-left: 20px;">b. N/A <input type="checkbox"/></p> <p style="margin-left: 20px;">c. N/A <input type="checkbox"/></p> <p style="margin-left: 20px;">d. N/A <input type="checkbox"/></p> <p style="margin-left: 20px;">e. N/A <input type="checkbox"/></p> <p>10. Ceiling types</p> <p style="margin-left: 20px;">a. Under Attic R=30.0, 1608.0 ft² <input type="checkbox"/></p> <p style="margin-left: 20px;">b. N/A <input type="checkbox"/></p> <p style="margin-left: 20px;">c. N/A <input type="checkbox"/></p> <p>11. Ducts</p> <p style="margin-left: 20px;">a. Sup: Con. Ret: Con. AH: Interior Sup. R=6.0, 53.0 ft <input type="checkbox"/></p> <p style="margin-left: 20px;">b. N/A <input type="checkbox"/></p>	<p>12. Cooling systems</p> <p style="margin-left: 20px;">a. Central Unit/Split Cap: 32.0 kBtu/hr <input type="checkbox"/> SEER: 13.00 <input type="checkbox"/></p> <p style="margin-left: 20px;">b. N/A <input type="checkbox"/></p> <p style="margin-left: 20px;">c. N/A <input type="checkbox"/></p> <p>13. Heating systems</p> <p style="margin-left: 20px;">a. Electric Heat Pump/Split Cap: 32.0 kBtu/hr <input type="checkbox"/> HSPF: 8.50 <input type="checkbox"/></p> <p style="margin-left: 20px;">b. N/A <input type="checkbox"/></p> <p style="margin-left: 20px;">c. N/A <input type="checkbox"/></p> <p>14. Hot water systems</p> <p style="margin-left: 20px;">a. Electric Resistance Cap: 20.0 gallons <input type="checkbox"/> EF: 0.94 <input type="checkbox"/></p> <p style="margin-left: 20px;">b. N/A <input type="checkbox"/></p> <p style="margin-left: 20px;">c. Conservation credits (HR-Heat recovery, Solar DHP-Dedicated heat pump) <input type="checkbox"/></p> <p>15. HVAC credits PT, CF, <input type="checkbox"/> (CF-Ceiling fan, CV-Cross ventilation, HF-Whole house fan, PT-Programmable Thermostat, MZ-C-Multizone cooling, MZ-H-Multizone heating)</p>
--------------------------------------------------------------------------------------------------------------------------------------------------------------------------------------------------------------------------------------------------------------------------------------------------------------------------------------------------------------------------------------------------------------------------------------------------------------------------------------------------------------------------------------------------------------------------------------------------------------------------------------------------------------------------------------------------------------------------------------------------------------------------------------------------------------------------------------------------------------------------------------------------------------------------------------------------------------------------------------------------------------------------------------------------------------------------------------------------------------------------------------------------------------------------------------------------------------------------------------------------------------------------------------------------------------------------------------------------------------------------------------------------------------------------------------------------------------------------------------------------------------------------------------------------------------------------------------------------------------------------------------------------------------------------------------------------------------------------------------------------------------------------------------------------------------------------------------------------------------------------------------------------------------------------------------------------------------------------------------------------------------------------------------------------------------------------------------------------------------------------------------------------------------------------------------------------------------------------------------------------------------------------------------------------------------------------------------------------------------------------------------------------------------------------------	-------------------------------------------------------------------------------------------------------------------------------------------------------------------------------------------------------------------------------------------------------------------------------------------------------------------------------------------------------------------------------------------------------------------------------------------------------------------------------------------------------------------------------------------------------------------------------------------------------------------------------------------------------------------------------------------------------------------------------------------------------------------------------------------------------------------------------------------------------------------------------------------------------------------------------------------------------------------------------------------------------------------------------------------------------------------------------------------------------------------------------------------------------------------------------------------------------------------------------------------------------------------------------------------------------------------------------------------------------------------------------------------------------------------------------------------------

I certify that this home has complied with the Florida Energy Efficiency Code For Building Construction through the above energy saving features which will be installed (or exceeded) in this home before final inspection. Otherwise, a new EPL Display Card will be completed based on installed Code compliant features.

Builder Signature: _____ Date: _____

Address of New Home: _____ City/FL Zip: _____



**NOTE: The home's estimated energy performance score is only available through the FLA/RES computer program. This is not a Building Energy Rating. If your score is 80 or greater (or 86 for a US EPA/DOE EnergyStar™ designation), your home may qualify for energy efficiency mortgage (EEM) incentives if you obtain a Florida Energy Gauge Rating. Contact the Energy Gauge Hotline at 321/638-1492 or see the Energy Gauge web site at www.fsec.ucf.edu for information and a list of certified Raters. For information about Florida's Energy Efficiency Code For Building Construction, contact the Department of Community Affairs at 850/487-1824.*

¹ Predominant glass type. For actual glass type and areas, see Summer & Winter Glass output on pages 2&4.
 EnergyGauge® (Version: FLRCPB v4.5.2)

BUILDING INPUT SUMMARY REPORT

PROJECT	Title: Cannon Creek - Lot#15	Family Type: Single	Address Type: Street Address	
	Owner: (blank)	New/Existing: New	Lot #: N/A	
	# of Units: 1	Bedrooms: 3	Subdivision: N/A	
	Builder Name: P. Geibeig	Conditioned Area: 1608	Platbook: N/A	
	Climate: North	Total Stories: 1	Street: (blank)	
	Permit Office: (blank)	Worst Case: No	County: (blank)	
	Jurisdiction #: (blank)	Rotate Angle: (blank)	City, St, Zip: , ,	

FLOORS	#	Floor Type	R-Val	Area/Perimeter	Units	DOORS	#	Door Type	Orientation	Area	Units			
	1	Slab-On-Grade Edge Insulation	0.0	221.0(p) ft	1		1	Insulated	Exterior	33.0 ft ²	1	2	Insulated	Exterior

CEILINGS	#	Ceiling Type	R-Val	Area	Base Area	Units	COOLING	#	System Type	Efficiency	Capacity
	1	Under Attic	30.0	1608.0 ft ²	1608.0 ft ²	1		1	Central Unit/Split	SEER: 13.00	32.0 kBtu/hr
Credit Multipliers: None							Credit Multipliers: Ceil Fn, PT				

WALLS	#	Wall Type	Location	R-Val	Area	Units	HEATING	#	System Type	Efficiency	Capacity
	1	Frame - Wood	Exterior	13.0	1394.4 ft ²	1		1	Electric Heat Pump/Split	HSPF: 8.50	32.0 kBtu/hr
Credit Multipliers: None							Credit Multipliers: PT				

WINDOWS	#	Panes	Tint	Ornt	Area	OH Length	OH Hght	Units	DUCTS	#	Supply Location	Return Location	Air Handler Location	Supply R-Val	Supply Length	
	1	Double	Clear	N	15.0 ft ²	1.0 ft	6.0 ft	2		1	Cond.	Cond.	Interior	6.0	53.0 ft	
	2	Double	Clear	N	20.0 ft ²	1.0 ft	6.0 ft	1		Credit Multipliers: None						
	3	Double	Clear	S	24.0 ft ²	1.0 ft	6.0 ft	2		WATER	#	System Type	EF	Cap.	Conservation Type	Con. EF
	4	Double	Clear	S	30.0 ft ²	1.0 ft	6.0 ft	1			1	Electric Resistance	0.94	20.0	None	0.00
	5	Double	Clear	E	5.0 ft ²	1.0 ft	6.0 ft	1		REFR.	#	Use Default?	Annual Operating Cost	Electric Rate		
6	Double	Clear	E	8.0 ft ²	1.0 ft	6.0 ft	1	1	Yes		N/A	N/A				

MISC	Rater Name: CodeOnlyPro	Class #: 3	Pool Size: 0
	Rater Certification #: CodeOnlyPro	Duct Leakage Type: N/A	Pump Size: 0.00 hp
	Area Under Fluorescent: 0.0	Visible Duct Disconnects: N/A	Dryer Type: Electric
	Area Under Incandescent: 1608.0	Leak Free Duct System Proposed: No	Stove Type: Electric
	NOTE: Not all Rating info shown	HRV/ERV System Present?: No	Avg Ceil Hgt:

Residential System Sizing Calculation

Summary

Project Title:
Cannon Creek - Lot#15

Code Only
Professional Version
Climate: North

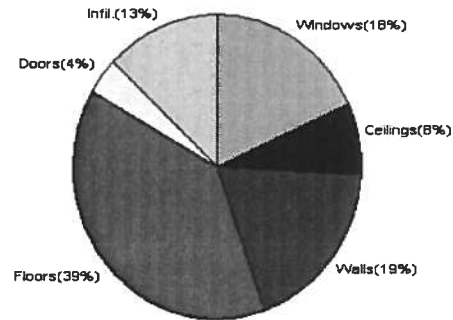
11/8/2007

Location for weather data: Gainesville - Defaults: Latitude(29) Altitude(152 ft.) Temp Range(M)					
Humidity data: Interior RH (50%) Outdoor wet bulb (77F) Humidity difference(54gr.)					
Winter design temperature	33	F	Summer design temperature	92	F
Winter setpoint	70	F	Summer setpoint	75	F
Winter temperature difference	37	F	Summer temperature difference	17	F
Total heating load calculation	24728	Btuh	Total cooling load calculation	14783	Btuh
Submitted heating capacity	% of calc	Btuh	Submitted cooling capacity	% of calc	Btuh
Total (Electric Heat Pump)	129.4	32000	Sensible (SHR = 0.75)	185.0	24000
Heat Pump + Auxiliary(0.0kW)	129.4	32000	Latent	441.9	8000
			Total (Electric Heat Pump)	216.5	32000

WINTER CALCULATIONS

Winter Heating Load (for 1608 sqft)

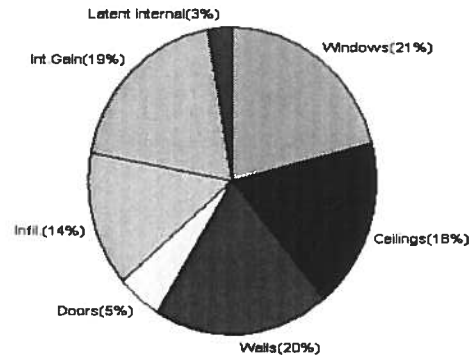
Load component		Load	
Window total	141 sqft	4539	Btuh
Wall total	1394 sqft	4579	Btuh
Door total	73 sqft	940	Btuh
Ceiling total	1608 sqft	1895	Btuh
Floor total	221 sqft	9649	Btuh
Infiltration	77 cfm	3126	Btuh
Duct loss		0	Btuh
Subtotal		24728	Btuh
Ventilation	0 cfm	0	Btuh
TOTAL HEAT LOSS		24728	Btuh



SUMMER CALCULATIONS

Summer Cooling Load (for 1608 sqft)

Load component		Load	
Window total	141 sqft	3112	Btuh
Wall total	1394 sqft	2908	Btuh
Door total	73 sqft	711	Btuh
Ceiling total	1608 sqft	2663	Btuh
Floor total		0	Btuh
Infiltration	39 cfm	718	Btuh
Internal gain		2860	Btuh
Duct gain		0	Btuh
Sens. Ventilation	0 cfm	0	Btuh
Total sensible gain		12973	Btuh
Latent gain(ducts)		0	Btuh
Latent gain(infiltration)		1410	Btuh
Latent gain(ventilation)		0	Btuh
Latent gain(internal/occupants/other)		400	Btuh
Total latent gain		1810	Btuh
TOTAL HEAT GAIN		14783	Btuh



Version 8
For Florida residences only

EnergyGauge® System Sizing

PREPARED BY: Delvin D. Motes

DATE: 11-8-07

System Sizing Calculations - Winter

Residential Load - Whole House Component Details

Project Title:
Cannon Creek - Lot#15

Code Only
Professional Version
Climate: North

Reference City: Gainesville (Defaults) Winter Temperature Difference: 37.0 F

11/8/2007

Component Loads for Whole House

Window	Panes/SHGC/Frame/U	Orientation	Area(sqft) X	HTM=	Load
1	2, Clear, Metal, 0.87	N	30.0	32.2	966 Btuh
2	2, Clear, Metal, 0.87	N	20.0	32.2	644 Btuh
3	2, Clear, Metal, 0.87	S	48.0	32.2	1545 Btuh
4	2, Clear, Metal, 0.87	S	30.0	32.2	966 Btuh
5	2, Clear, Metal, 0.87	E	5.0	32.2	161 Btuh
6	2, Clear, Metal, 0.87	E	8.0	32.2	258 Btuh
Window Total			141(sqft)		4539 Btuh
Walls	Type	R-Value	Area X	HTM=	Load
1	Frame - Wood - Ext(0.09)	13.0	1394	3.3	4579 Btuh
Wall Total			1394		4579 Btuh
Doors	Type		Area X	HTM=	Load
1	Insulated - Exterior		33	12.9	427 Btuh
2	Insulated - Exterior		40	12.9	513 Btuh
Door Total			73		940Btuh
Ceilings	Type/Color/Surface	R-Value	Area X	HTM=	Load
1	Vented Attic/D/Shin	30.0	1608	1.2	1895 Btuh
Ceiling Total			1608		1895Btuh
Floors	Type	R-Value	Size X	HTM=	Load
1	Slab On Grade	0	221.0 ft(p)	43.7	9649 Btuh
Floor Total			221		9649 Btuh
Envelope Subtotal:					21602 Btuh
Infiltration	Type	ACH X	Volume(cuft) walls(sqft)	CFM=	Load
	Natural	0.32	14472 1394	77.2	3126 Btuh
Ductload	(DLM of 0.000)				0 Btuh
All Zones	Sensible Subtotal All Zones				24728 Btuh

WHOLE HOUSE TOTALS

	Subtotal Sensible	24728 Btuh
	Ventilation Sensible	0 Btuh
	Total Btuh Loss	24728 Btuh

Manual J Winter Calculations

Residential Load - Component Details (continued)

Project Title:
Cannon Creek - Lot#15

Code Only
Professional Version
Climate: North

11/8/2007

EQUIPMENT

1. Electric Heat Pump/Split	#(Outside) #(Inside)	32000 Btuh
-----------------------------	----------------------	------------

Key: Window types (SHGC - Shading coefficient of glass as SHGC numerical value or as clear or tint)
 (Frame types - metal, wood or insulated metal)
 (U - Window U-Factor or 'DEF' for default)
 (HTM - ManualJ Heat Transfer Multiplier)

Key: Floor size (perimeter(p) for slab-on-grade or area for all other floor types)



Version 8
For Florida residences only

System Sizing Calculations - Winter

Residential Load - Room by Room Component Details

Project Title:
Cannon Creek - Lot#15

Code Only
Professional Version
Climate: North

Reference City: Gainesville (Defaults) Winter Temperature Difference: 37.0 F

11/8/2007

Component Loads for Zone #1: Main

Window	Panels/SHGC/Frame/U	Orientation	Area(sqft) X	HTM=	Load
1	2, Clear, Metal, 0.87	N	30.0	32.2	966 Btuh
2	2, Clear, Metal, 0.87	N	20.0	32.2	644 Btuh
3	2, Clear, Metal, 0.87	S	48.0	32.2	1545 Btuh
4	2, Clear, Metal, 0.87	S	30.0	32.2	966 Btuh
5	2, Clear, Metal, 0.87	E	5.0	32.2	161 Btuh
6	2, Clear, Metal, 0.87	E	8.0	32.2	258 Btuh
			Window Total	141(sqft)	4539 Btuh
Walls	Type	R-Value	Area X	HTM=	Load
1	Frame - Wood - Ext(0.09)	13.0	1394	3.3	4579 Btuh
			Wall Total		4579 Btuh
Doors	Type		Area X	HTM=	Load
1	Insulated - Exterior		33	12.9	427 Btuh
2	Insulated - Exterior		40	12.9	513 Btuh
			Door Total		940Btuh
Ceilings	Type/Color/Surface	R-Value	Area X	HTM=	Load
1	Vented Attic/D/Shin	30.0	1608	1.2	1895 Btuh
			Ceiling Total		1895Btuh
Floors	Type	R-Value	Size X	HTM=	Load
1	Slab On Grade	0	221.0 ft(p)	43.7	9649 Btuh
			Floor Total		9649 Btuh
Zone Envelope Subtotal:					21602 Btuh
Infiltration	Type	ACH X	Volume(cuft)	walls(sqft)	CFM=
	Natural	0.32	14472	1394	77.2
					3126 Btuh
Ductload	Average sealed, Supply(R6.0-Cond.), Return(R6.0-Cond.)DLM of 0.000				0 Btuh
Zone #1	Sensible Zone Subtotal				24728 Btuh

WHOLE HOUSE TOTALS

	Subtotal Sensible	24728 Btuh
	Ventilation Sensible	0 Btuh
	Total Btuh Loss	24728 Btuh

Manual J Winter Calculations

Residential Load - Component Details (continued)

Project Title:
Cannon Creek - Lot#15

Code Only
Professional Version
Climate: North

11/8/2007

EQUIPMENT

1. Electric Heat Pump/Split	#(Outside) #(Inside)	32000 Btuh
-----------------------------	----------------------	------------

Key: Window types (SHGC - Shading coefficient of glass as SHGC numerical value or as clear or tint)
 (Frame types - metal, wood or insulated metal)
 (U - Window U-Factor or 'DEF' for default)
 (HTM - ManualJ Heat Transfer Multiplier)

Key: Floor size (perimeter(p) for slab-on-grade or area for all other floor types)



Version 8
For Florida residences only

System Sizing Calculations - Summer

Residential Load - Whole House Component Details

Project Title:
Cannon Creek - Lot#15

Code Only
Professional Version
Climate: North

Reference City: Gainesville (Defaults) Summer Temperature Difference: 17.0 F

11/8/2007

Component Loads for Whole House

Window	Type*	Ornt	Overhang		Window Area(sqft)			HTM		Load
			Len	Hgt	Gross	Shaded	Unshaded	Shaded	Unshaded	
1	2, Clear, 0.87, B-D, N,F	N	1ft.	6ft.	30.0	0.0	30.0	19	19	560 Btuh
2	2, Clear, 0.87, B-D, N,F	N	1ft.	6ft.	20.0	0.0	20.0	19	19	374 Btuh
3	2, Clear, 0.87, B-D, N,F	S	1ft.	6ft.	48.0	48.0	0.0	19	23	897 Btuh
4	2, Clear, 0.87, B-D, N,F	S	1ft.	6ft.	30.0	30.0	0.0	19	23	560 Btuh
5	2, Clear, 0.87, B-D, N,F	E	1ft.	6ft.	5.0	0.0	5.0	19	55	277 Btuh
6	2, Clear, 0.87, B-D, N,F	E	1ft.	6ft.	8.0	0.0	8.0	19	55	443 Btuh
Window Total					141 (sqft)					3112 Btuh
Walls	Type		R-Value/U-Value		Area(sqft)		HTM		Load	
1	Frame - Wood - Ext		13.0/0.09		1394.4		2.1		2908 Btuh	
Wall Total					1394 (sqft)				2908 Btuh	
Doors	Type				Area (sqft)		HTM		Load	
1	Insulated - Exterior				33.0		9.8		323 Btuh	
2	Insulated - Exterior				39.6		9.8		388 Btuh	
Door Total					73 (sqft)				711 Btuh	
Ceilings	Type/Color/Surface		R-Value		Area(sqft)		HTM		Load	
1	Vented Attic/DarkShingle		30.0		1608.0		1.7		2663 Btuh	
Ceiling Total					1608 (sqft)				2663 Btuh	
Floors	Type		R-Value		Size		HTM		Load	
1	Slab On Grade		0.0		221 (ft(p))		0.0		0 Btuh	
Floor Total					221.0 (sqft)				0 Btuh	
Envelope Subtotal:									9395 Btuh	
Infiltration	Type		ACH	Volume(cuft)	wall area(sqft)	CFM=			Load	
	SensibleNatural		0.16	14472	1394	77.2			718 Btuh	
Internal gain		Occupants	Btuh/occupant		Appliance				Load	
		2	X	230	+	2400			2860 Btuh	
Sensible Envelope Load:									12973 Btuh	
Duct load	(DGM of 0.000)									0 Btuh
Sensible Load All Zones									12973 Btuh	

Manual J Summer Calculations

Residential Load - Component Details (continued)

Project Title:
Cannon Creek - Lot#15

Code Only
Professional Version
Climate: North

11/8/2007

WHOLE HOUSE TOTALS

Whole House Totals for Cooling	Sensible Envelope Load All Zones	12973 Btuh
	Sensible Duct Load	0 Btuh
	Total Sensible Zone Loads	12973 Btuh
	Sensible ventilation	0 Btuh
	Blower	0 Btuh
	Total sensible gain	12973 Btuh
	Latent infiltration gain (for 54 gr. humidity difference)	1410 Btuh
	Latent ventilation gain	0 Btuh
	Latent duct gain	0 Btuh
	Latent occupant gain (2 people @ 200 Btuh per person)	400 Btuh
	Latent other gain	0 Btuh
	Latent total gain	1810 Btuh
	TOTAL GAIN	14783 Btuh

EQUIPMENT

1. Central Unit/Split	#(Outside) #(Inside)	32000 Btuh
-----------------------	----------------------	------------

*Key: Window types (Pn - Number of panes of glass)
 (SHGC - Shading coefficient of glass as SHGC numerical value or as clear or tint)
 (U - Window U-Factor or 'DEF' for default)
 (InSh - Interior shading device: none(N), Blinds(B), Draperies(D) or Roller Shades(R))
 (ExSh - Exterior shading device: none(N) or numerical value)
 (BS - Insect screen: none(N), Full(F) or Half(H))
 (Ornt - compass orientation)



Version 8
For Florida residences only

System Sizing Calculations - Summer

Residential Load - Room by Room Component Details

Project Title:
Cannon Creek - Lot#15

Code Only
Professional Version
Climate: North

Reference City: Gainesville (Defaults) Summer Temperature Difference: 17.0 F

11/8/2007

Component Loads for Zone #1: Main

Window	Type*			Overhang		Window Area(sqft)			HTM		Load		
	Pn/SHGC/U/InSh/ExSh/IS	Ornt		Len	Hgt	Gross	Shaded	Unshaded	Shaded	Unshaded			
1	2, Clear, 0.87, B-D, N,F	N		1ft.	6ft.	30.0	0.0	30.0	19	19	560	Btuh	
2	2, Clear, 0.87, B-D, N,F	N		1ft.	6ft.	20.0	0.0	20.0	19	19	374	Btuh	
3	2, Clear, 0.87, B-D, N,F	S		1ft.	6ft.	48.0	48.0	0.0	19	23	897	Btuh	
4	2, Clear, 0.87, B-D, N,F	S		1ft.	6ft.	30.0	30.0	0.0	19	23	560	Btuh	
5	2, Clear, 0.87, B-D, N,F	E		1ft.	6ft.	5.0	0.0	5.0	19	55	277	Btuh	
6	2, Clear, 0.87, B-D, N,F	E		1ft.	6ft.	8.0	0.0	8.0	19	55	443	Btuh	
Window Total						141 (sqft)					3112 Btuh		
Walls	Type			R-Value/U-Value		Area(sqft)		HTM		Load			
1	Frame - Wood - Ext			13.0/0.09		1394.4		2.1		2908 Btuh			
Wall Total						1394 (sqft)				2908 Btuh			
Doors	Type					Area (sqft)		HTM		Load			
1	Insulated - Exterior					33.0		9.8		323 Btuh			
2	Insulated - Exterior					39.6		9.8		388 Btuh			
Door Total						73 (sqft)				711 Btuh			
Ceilings	Type/Color/Surface			R-Value		Area(sqft)		HTM		Load			
1	Vented Attic/DarkShingle			30.0		1608.0		1.7		2663 Btuh			
Ceiling Total						1608 (sqft)				2663 Btuh			
Floors	Type			R-Value		Size		HTM		Load			
1	Slab On Grade			0.0		221 (ft(p))		0.0		0 Btuh			
Floor Total						221.0 (sqft)				0 Btuh			
Zone Envelope Subtotal:										9395 Btuh			
Infiltration	Type			ACH		Volume(cuft)		wall area(sqft)		CFM=		Load	
	SensibleNatural			0.16		14472		1394		38.6		718 Btuh	
Internal gain				Occupants		Btuh/occupant		Appliance		Load			
				2		X 230 +		2400		2860 Btuh			
Sensible Envelope Load:										12973 Btuh			
Duct load	Average sealed, Supply(R6.0-Cond.), Return(R6.0-Cond)								(DGM of 0.000)		0 Btuh		
Sensible Zone Load										12973 Btuh			

Manual J Summer Calculations

Residential Load - Component Details (continued)

Project Title:
Cannon Creek - Lot#15

Code Only
Professional Version
Climate: North

11/8/2007

WHOLE HOUSE TOTALS

Whole House Totals for Cooling	Sensible Envelope Load All Zones	12973 Btuh
	Sensible Duct Load	0 Btuh
	Total Sensible Zone Loads	12973 Btuh
	Sensible ventilation	0 Btuh
	Blower	0 Btuh
	Total sensible gain	12973 Btuh
	Latent infiltration gain (for 54 gr. humidity difference)	1410 Btuh
	Latent ventilation gain	0 Btuh
	Latent duct gain	0 Btuh
	Latent occupant gain (2 people @ 200 Btuh per person)	400 Btuh
	Latent other gain	0 Btuh
	Latent total gain	1810 Btuh
	TOTAL GAIN	14783 Btuh

EQUIPMENT

1. Central Unit/Split	#(Outside) #(Inside)	32000 Btuh
-----------------------	----------------------	------------

*Key: Window types (Pn - Number of panes of glass)
 (SHGC - Shading coefficient of glass as SHGC numerical value or as clear or tint)
 (U - Window U-Factor or 'DEF' for default)
 (InSh - Interior shading device: none(N), Blinds(B), Draperies(D) or Roller Shades(R))
 (ExSh - Exterior shading device: none(N) or numerical value)
 (BS - Insect screen: none(N), Full(F) or Half(H))
 (Ornt - compass orientation)



Version 8
For Florida residences only

Residential Window Diversity

MidSummer

Project Title:
Cannon Creek - Lot#15

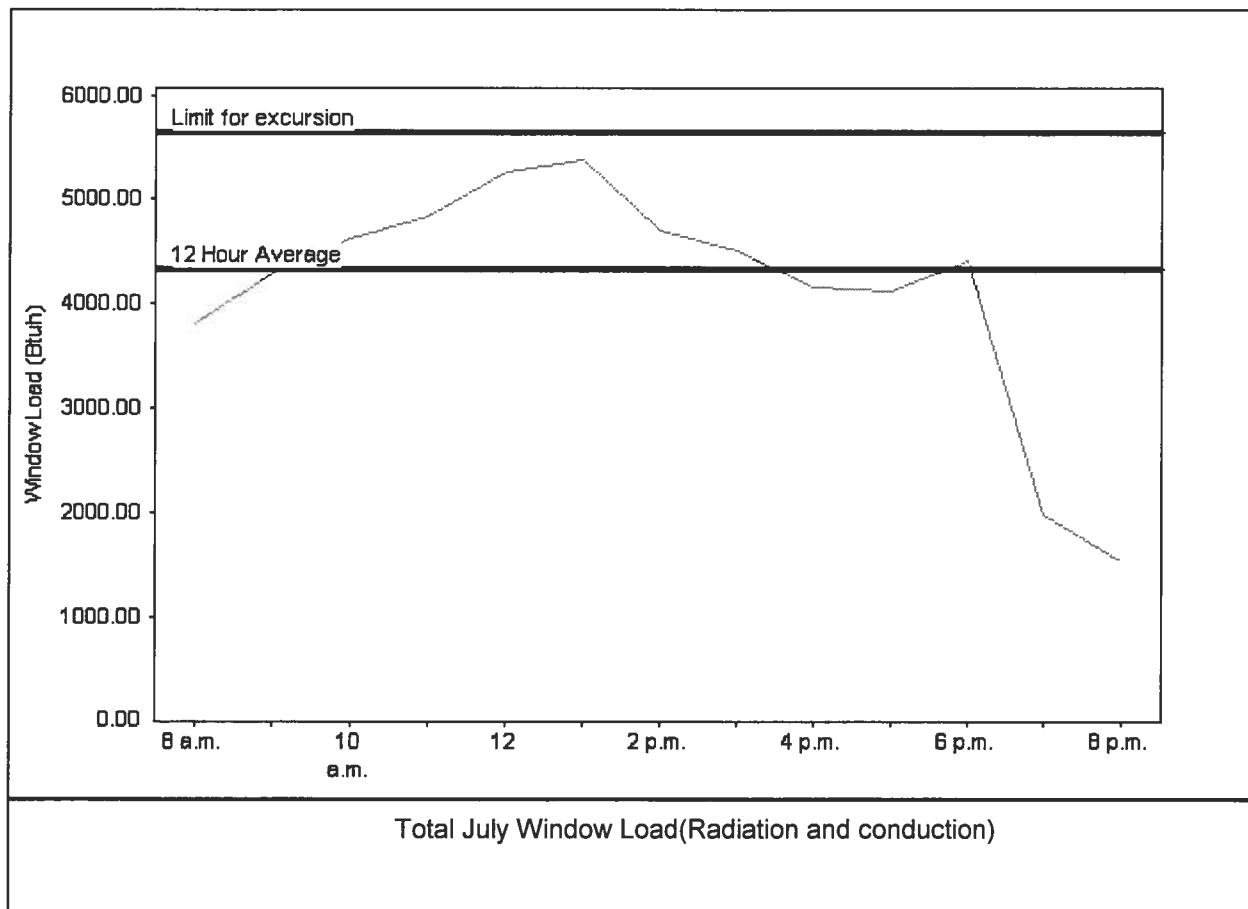
Code Only
Professional Version
Climate: North

11/8/2007

Weather data for: Gainesville - Defaults

Summer design temperature	92 F	Average window load for July	4340 Btuh
Summer setpoint	75 F	Peak window load for July	5368 Btuh
Summer temperature difference	17 F	Excursion limit(130% of Ave.)	5642 Btuh
Latitude	29 North	Window excursion (July)	None

WINDOW Average and Peak Loads



The midsummer window load for this house does not exceed the window load excursion limit.
This house has adequate midsummer window diversity.

EnergyGauge® System Sizing for Florida residences only

PREPARED BY: Debbie O'Mates

DATE: 11-8-07





**BUILDING CODE COMPLIANCE OFFICE (BCCO)
PRODUCT CONTROL DIVISION**

**MIAMI-DADE COUNTY, FLORIDA
METRO-DADE FLAGLER BUILDING
140 WEST FLAGLER STREET, SUITE 1603
MIAMI, FLORIDA 33130-1563
(305) 375-2901 FAX (305) 375-2908**

NOTICE OF ACCEPTANCE (NOA)

**MI Home Products, Inc.
650 West Market Street
Gratz, PA 17030**

SCOPE:

This NOA is being issued under the applicable rules and regulations governing the use of construction materials. The documentation submitted has been reviewed by Miami-Dade County Product Control Division and accepted by the Board of Rules and Appeals (BORA) to be used in Miami Dade County and other areas where allowed by the Authority Having Jurisdiction (AHJ).

This NOA shall not be valid after the expiration date stated below. The Miami-Dade County Product Control Division (In Miami Dade County) and/or the AHJ (in areas other than Miami Dade County) reserve the right to have this product or material tested for quality assurance purposes. If this product or material fails to perform in the accepted manner, the manufacturer will incur the expense of such testing and the AHJ may immediately revoke, modify, or suspend the use of such product or material within their jurisdiction. BORA reserves the right to revoke this acceptance, if it is determined by Miami-Dade County Product Control Division that this product or material fails to meet the requirements of the applicable building code.

This product is approved as described herein, and has been designed to comply with the Florida Building Code, including the High Velocity Hurricane Zone.

DESCRIPTION: Series "BetterBilt D185SH/D3185SH" Aluminum Single Hung Window

APPROVAL DOCUMENT: Drawing No. S-2422, titled "Non-Impact Single Hung Window Rectangle Circle Top & Oriel", sheets 1 through 5 of 5, prepared by RW Building Consultants, inc, dated 10/27/03 with revision "2", dated 02/10/04, signed and sealed by Wendell Haney, P.E., bearing the Miami-Dade County Product Control Approval stamp with the Notice of Acceptance number and approval date by the Miami-Dade County Product Control Division.

MISSILE IMPACT RATING: None

LABELING: Each unit shall bear a permanent label with the manufacturer's name or logo, city, state and following statement: "Miami-Dade County Product Control Approved", unless otherwise noted herein.

RENEWAL of this NOA shall be considered after a renewal application has been filed and there has been no change in the applicable building code negatively affecting the performance of this product.

TERMINATION of this NOA will occur after the expiration date or if there has been a revision or change in the materials, use, and/or manufacture of the product or process. Misuse of this NOA as an endorsement of any product, for sales, advertising or any other purposes shall automatically terminate this NOA. Failure to comply with any section of this NOA shall be cause for termination and removal of NOA.

ADVERTISEMENT: The NOA number preceded by the words Miami-Dade County, Florida, and followed by the expiration date may be displayed in advertising literature. If any portion of the NOA is displayed, then it shall be done in its entirety.

INSPECTION: A copy of this entire NOA shall be provided to the user by the manufacturer or its distributors and shall be available for inspection at the job site at the request of the Building Official.

This NOA consists of this page 1 and evidence page E-1, as well as approval document mentioned above. The submitted documentation was reviewed by **Theodore Berman, P.E.**

MS
2/13/2003



**NOA No 03-1215.02
Expiration Date: March 04, 2009
Approval Date: March 04, 2004
Page 1**

NOTICE OF ACCEPTANCE: EVIDENCE SUBMITTED

A. DRAWINGS

1. Manufacturer's die drawings and sections.
2. Drawing No. **S-2422**, titled "Non-Impact Single Hung Window Rectangle Circle Top & Oriel", sheets 1 through 5 of 5, prepared by RW Building Consultants, inc, dated 10/27/03 with revision "2", dated 02/10/04, signed and sealed by Wendell Haney, P.E.

B. TESTS

1. Test reports on 1) Air Infiltration Test, per FBC, TAS 202-94
2) Uniform Static Air Pressure Test, Loading per FBC, TAS 202-94
3) Water Resistance Test, per FBC, TAS 202-94
4) Forced Entry Test, per FBC 2411.3.2.1 and TAS 202-94
along with marked-up drawings and installation diagram of an aluminum single hung window, prepared by Architectural Testing, Inc., Test Report No. **ATI 03056**, dated 11/11/03, signed by Joseph A. Reed, P.E.

C. CALCULATIONS

1. Anchor Calculations, ASTM-E1300-98, and structural analysis, prepared by R.W. Building Consultants, Inc., dated 12/11/03, signed and sealed by Lyndon F. Schmidt, P.E.
2. Revised Anchor Calculations, and structural analysis, prepared by R.W. Building Consultants, Inc., dated 02/10/04, signed and sealed by Lyndon F. Schmidt, P.E.

D. QUALITY ASSURANCE

1. Miami Dade Building Code Compliance Office (BCCO).

E. MATERIAL CERTIFICATIONS

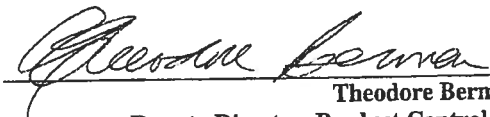
1. None.

F. STATEMENTS

1. Statement letter of conformance and no financial interest, dated December 09, 2003, signed and sealed by Lyndon F. Schmidt, P.E.
2. Statement letter of no financial interest with the laboratory that performed the Test Report No. **ATI 03056**, dated November 08, 2003, signed by Stu White, Design Engineering Manager.

G. OTHER

1. Letter from the consultant stating that the product is in compliance with the Florida Building Code (FBC).


Theodore Berman, P.E.

Deputy Director, Product Control Division

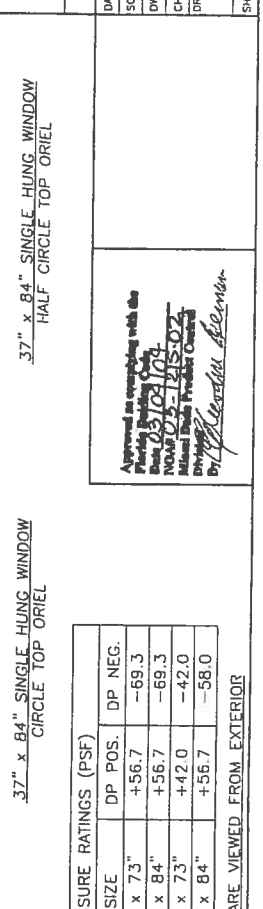
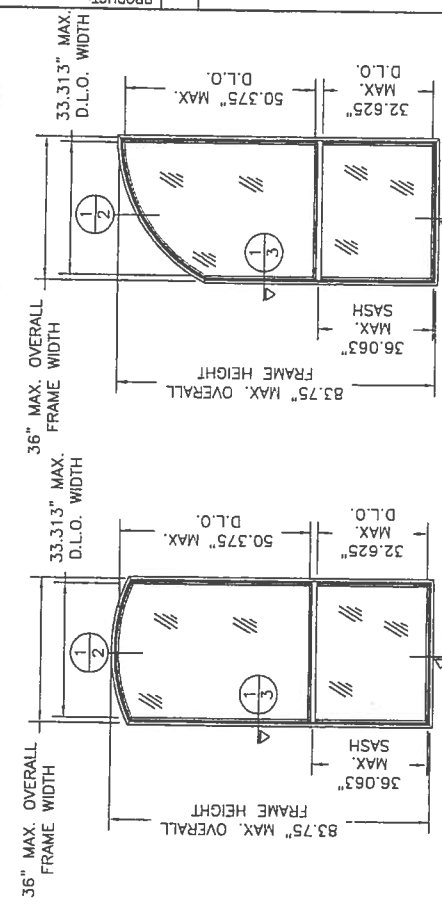
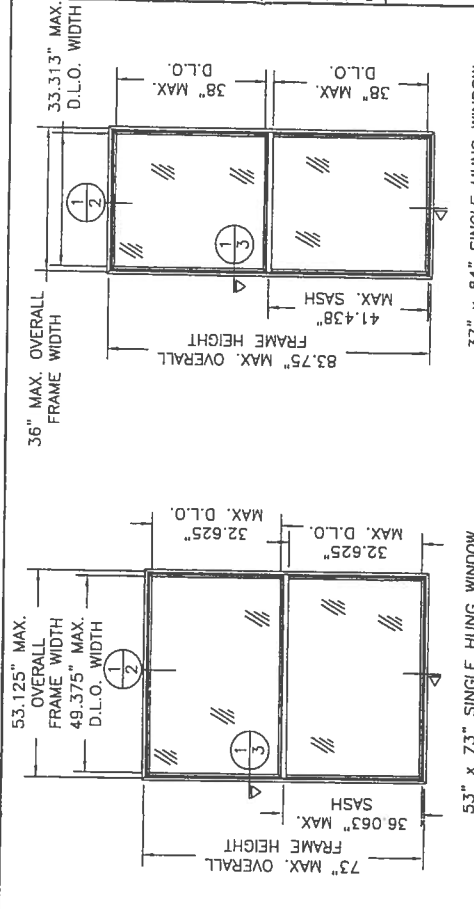
NOA No 03-1215.02

Expiration Date: March 04, 2009

Approval Date: March 04, 2004

MI HOME PRODUCTS
 650 WEST MARKET STREET • GRATZ, PA • 17030-0370
SERIES BETTERBILT D185SH/D3185SH
ALUMINUM SINGLE HUNG WINDOW

- GENERAL NOTES:**
1. THIS PRODUCT IS DESIGNED TO COMPLY WITH THE "HVHZ" OF THE FLORIDA BUILDING CODE.
 2. WOOD BLOCKS MUST BE ANCHORED PROPERLY TO TRANSFER LOADS TO STRUCTURE AND TO BE REVIEWED BY BUILDING OFFICIAL.
 3. PRODUCT ANCHORS SHALL BE AS LISTED AND SPACED AS SHOWN ON DETAILS. ANCHOR EMBEDMENT TO BASE MATERIAL SHALL BE BEYOND WALL DRESSING OR STUCCO.
 4. FOR DESIGN PRESSURE RATING SEE TABLE THIS SHEET.
 5. INSTALLATION OF THIS SYSTEM IN HVHZ AREA REQUIRES THE USE OF APPROVED SHUTTER/EXTERNAL PROTECTION DEVICE COMPLYING WITH HVHZ REQUIREMENTS; INSTALLATION OF THIS SYSTEM OUTSIDE OF HVHZ SHALL MEET THE APPLICABLE CODE REQUIREMENTS FOR WINDBORNE DEBRIS PROTECTION.
 6. THIS PRODUCT MEETS WATER REQUIREMENTS FOR HIGH VELOCITY HURRICANE ZONES.



DESIGN PRESSURE RATINGS (PSF)

GLASS	MAX. SIZE	DP POS.	DP NEG.
1/8" Temp.	OA 53" x 73"	+56.7	-69.3
1/8" Temp.	OA 37" x 84"	+56.7	-69.3
3/16" Ann.	OA 53" x 73"	+42.0	-42.0
3/16" Ann.	OA 37" x 84"	+56.7	-58.0

ALL ELEVATIONS ARE VIEWED FROM EXTERIOR

TABLE OF CONTENTS

SHEET #	DESCRIPTION
1	GENERAL NOTES & TYPICAL ELEVATIONS
2	VERTICAL CROSS SECTIONS
3	HORIZONTAL CROSS SECTIONS & GLAZING DETAIL
4	ANCHORING LOCATIONS
5	COMPONENTS, BILL OF MATERIALS

Product Approval Documents Prepared By:
 BUILDING CONSULTANTS, INC.
 P.O. Box 230 Venice FL 33595
 Phone No: 813 859 9197
 Florida Board of Professional Engineers
 Certificate of Authorization No. 9813
 2/10/04

PRODUCT:
 NON-IMPACT SINGLE HUNG WINDOW RECTANGLE, CIRCLE TOP & ORIEL
 PART OR ASSEMBLY:
 GENERAL NOTES & TYPICAL ELEVATIONS

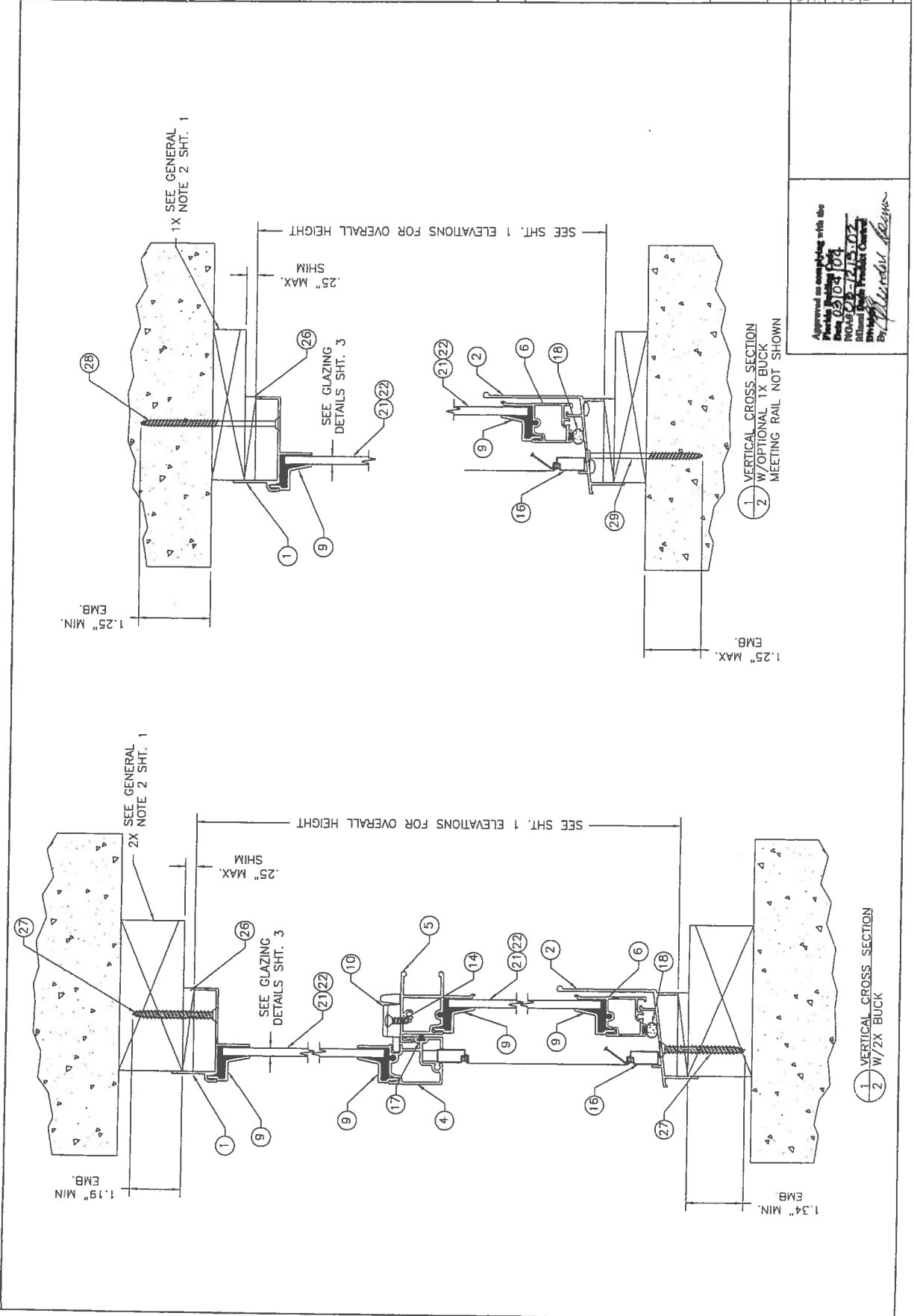
REVISIONS

NO	DATE	BY
1	01/04	WH
2	2/10/04	RW

CORRECT DP TABLE
 REVISED PER DATE LETTER

DATE: 10/27/03
 SCALE: N.T.S.
 DWG. BY: T.J.H.
 CHK. BY: RW
 DRAWING NO: S-2422
 SHEET 1 of 5

Approved as complying with the Florida Building Code
 Date: 03/08/04
 Name: D. B. TRISOL
 Miami Trade Product Council
 By: [Signature]



REVISIONS		DATE	BY
1	NO DATE		
2	2/10/04		
3	01/04		
4	01/04		
5	01/04		
6	01/04		
7	01/04		
8	01/04		
9	01/04		
10	01/04		
11	01/04		
12	01/04		
13	01/04		
14	01/04		
15	01/04		
16	01/04		
17	01/04		
18	01/04		
19	01/04		
20	01/04		
21	01/04		
22	01/04		
23	01/04		
24	01/04		
25	01/04		
26	01/04		
27	01/04		
28	01/04		
29	01/04		
30	01/04		
31	01/04		
32	01/04		
33	01/04		
34	01/04		
35	01/04		
36	01/04		
37	01/04		
38	01/04		
39	01/04		
40	01/04		
41	01/04		
42	01/04		
43	01/04		
44	01/04		
45	01/04		
46	01/04		
47	01/04		
48	01/04		
49	01/04		
50	01/04		

DATE: 10/27/03
 SCALE: N.T.S.
 DWG. BY: T.J.H.
 CHK. BY: RW
 DRAWING NO: S-2422
 SHEET 2 OF 5

PRODUCT: NON-IMPACT SINGLE HUNG WINDOWS RECTANGLE, CIRCLE TOP & OREAL; PART OR ASSEMBLY: VERTICAL CROSS SECTIONS

Approved as complying with the Florida Building Code, Chapter 6B, Section 6B07.2.1.5.02, by the Florida Building Code Official, *[Signature]*

Product Approval Documents Prepared By: BUILDING CONSULTANTS, INC. P.O. Box 230 Valrico FL 33595 Phone No.: 813.659.9197 Certificate of Professional Engineers Florida Board of Professional Engineers 2/10/04

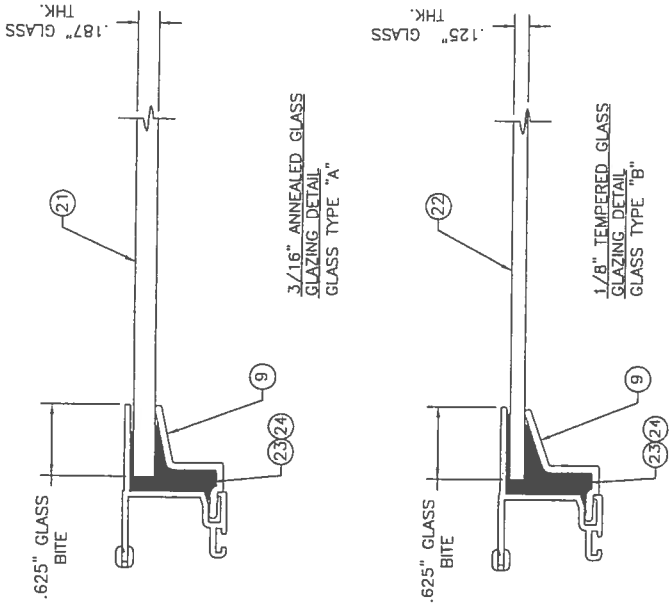
Product Approval Documents Prepared By:
 BUILDING CONSULTANTS, INC.
 P.O. Box 230 Venice FL 33595
 Phone No.: 813.559.9197
 Florida Board of Professional Engineers
 Certificate of Authorization No. 9813
 2/10/04
 Wendell Heine, P.E. No. 54158

PRODUCT:
 NON-IMPACT SINGLE HUNG
 WINDOWS RECTANGLE,
 CIRCLE TOP & ORIAL
 PART OR ASSEMBLY:
 HORIZONTAL CROSS SECTIONS
 & GLAZING DETAILS

REVISIONS	
NO.	DATE
1	01/04
2	2/10/04
2	2/10/04
2	2/10/04

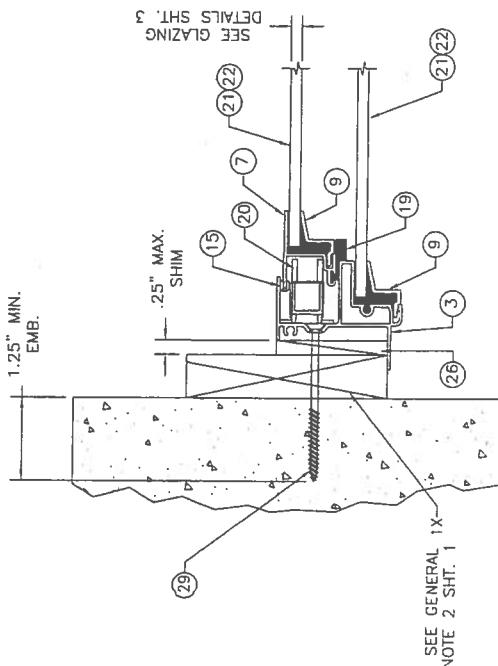
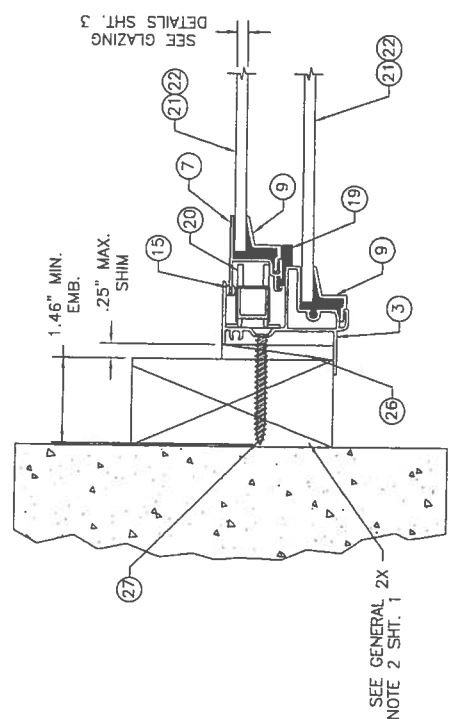
REVISIONS:
 CORRECT DP TABLE
 REVISED PER DADE LETTER
 HORIZONTAL CROSS SECTIONS
 & GLAZING DETAILS

DATE: 10/27/03
 SCALE: N.T.S.
 DWG. BY: TUJH
 CHK. BY: RW
 DRAWING NO:
 5-2422
 SHEET 3 of 5



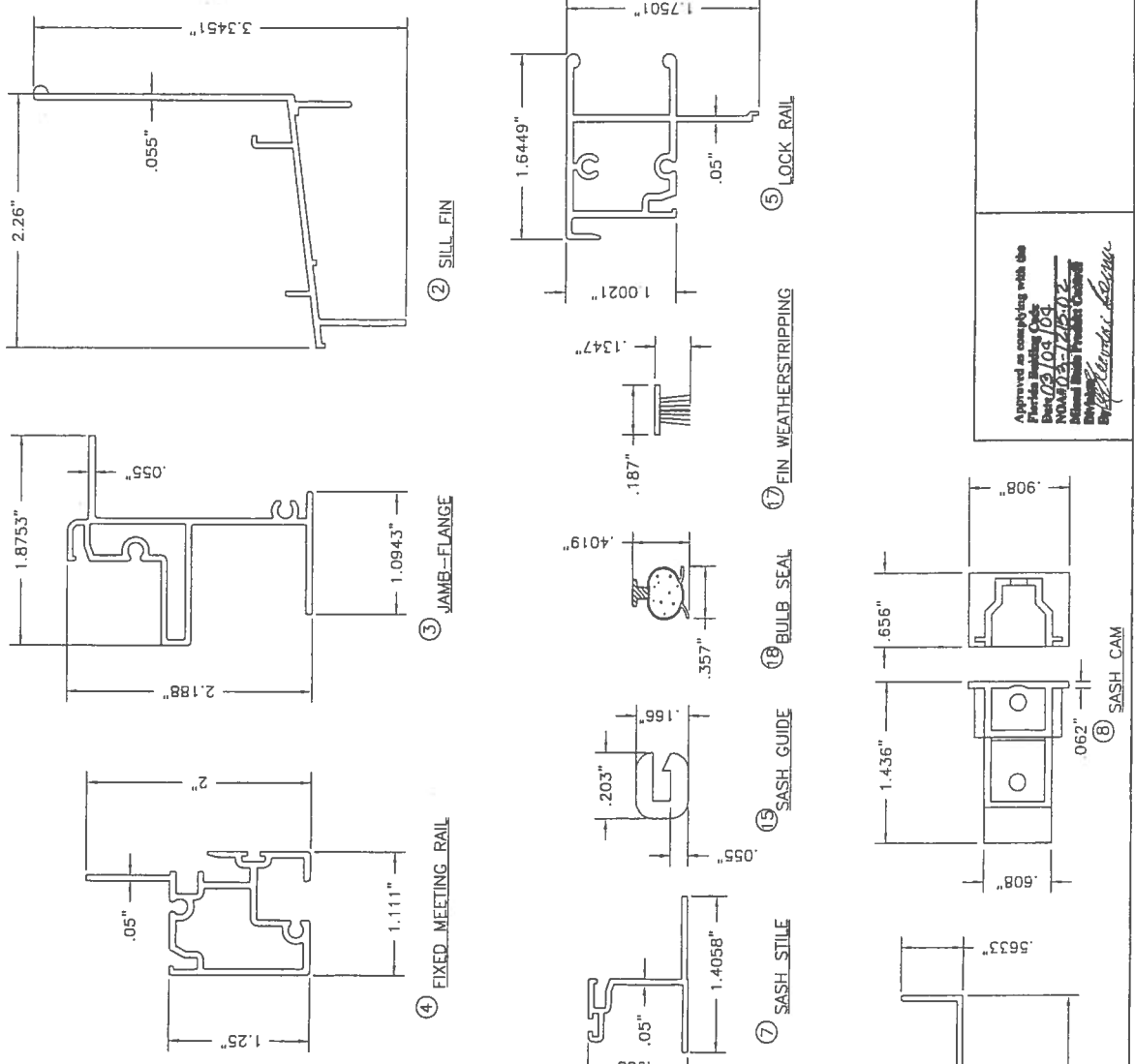
NOTES:
 1. THE MAIN FRAME HEAD, SIDES AND SILL ARE CONNECTED TOGETHER AT EACH CORNER WITH (2) ITEM #11, A #8 x 3/4" PHILLIPS PAN HEAD SCREW. THE SCREWS RUN FROM THE HEAD DOWN INTO THE SIDES AND FROM THE SILL UP INTO THE SIDES.
 2. THE FIXED MEETING RAIL IS SECURED TO THE SIDES WITH (2) EACH SIDE ITEM #12, A #8 x 1 1/4" PHILLIPS PAN HEAD SCREW.
 3. THE SASH CORNERS ARE CONNECTED TOGETHER WITH (2) EACH CORNER ITEM #13, A #6 x 3/4" PHILLIPS PAN HEAD SCREW.

Approved as complying with the
 Florida Building Code
 Date: 02/04/04
 NDAM 05-125107
 William Heine, P.E.
 By: Wendell Heine



1 HORIZONTAL CROSS SECTION
 SHOWING SASH CAM
 MASONRY & BUCK NOT SHOWN

BILL OF MATERIALS		
ITEM	DESCRIPTION	MATERIAL
1	EXTRUDED ALUMINUM SINGLE HUNG 1/2" HEAD #CM-18501 BY MI METALS	ALUM.
2	EXTRUDED ALUMINUM SINGLE HUNG 1/2" SILL #CM-18502 BY MI METALS	ALUM.
3	EXTRUDED ALUMINUM SINGLE HUNG 1/2" JAMB #CM-18503 BY MI METALS	ALUM.
4	EXTRUDED ALUMINUM SINGLE HUNG FIXED MEETING RAIL #CM-18504 BY MI METALS	ALUM.
5	EXTRUDED ALUMINUM SINGLE HUNG SASH LOCK RAIL #CM-18505 BY MI METALS	ALUM.
6	EXTRUDED ALUMINUM SINGLE HUNG SASH BOTTOM RAIL #CM-18506 BY MI METALS	ALUM.
7	EXTRUDED ALUMINUM SINGLE HUNG SASH STILE #CM-18507 BY MI METALS	ALUM.
8	SASH CAM #1-185 BY BSI	-
9	GLAZING BEAD #V-185 BY MI PLASTICS	-
10	LOCK #30240-402 BY REFLECTOLITE	-
11	MAIN FRAME SCREW #8 x 3/4" PHILLIPS PAN HEAD	STEEL
12	MEETING RAIL SCREW #8 x 1 1/4" PHILLIPS PAN HEAD	STEEL
13	SASH SCREW #6 x 3/4" PHILLIPS PAN HEAD	STEEL
14	LOCK SCREW #8 x 5/8" PHILLIPS FLAT HEAD -PTD	STEEL
15	SASH GUIDE #80-02-8207 BY PLASTICS, AZ	-
16	WINDOW SCREEN	-
17	FIN WEATHERSTRIPPING .187" x .250" BY AMESBURY	-
18	BULB SEAL #32002 BY AMESBURY	-
19	DUST PLUG 5/8" x 7/8" x .25" BY AMESBURY	-
20	5/8" BLOCK & TACKLE 150 SERIES BY BSI	-
21	GLASS "A" SGL GLAZED 3/16" ANN. BY GUARDIAN	-
22	GLASS "B" SGL GLAZED 1/8" TEMP. BY GUARDIAN	-
23	BACKBEDDING #SM-2100 BY SCHNEE MOREHEAD	SILICONE
24	BACKBEDDING PERFECTGLAZE-H (HOTMELT)	-
25	GLASS SHIM 1/8" x 1/4" x 1" BY SECON	-
26	1/4" MAX SHIM	-
27	#12 X 2" PHILLIPS FLAT HEAD SHEET METAL SCREW	STEEL
28	3/16" x 3 1/4" ELCO TAPCON ANCHOR	STEEL
29	3/16 x 2 3/4" ELCO TAPCON ANCHOR	STEEL



Approved as complying with the Florida Building Code
 Date: 03/03/04
 NDA# 03-1245-02
 Miami-Dade County
 Building Department
 By: *[Signature]*

Product Approval Document Prepared By:
 BUILDING CONSULTANTS, INC.
 P.O. Box 230 Vero Beach, FL 33595
 Phone No.: 813.659.9177
 Florida Board of Professional Engineers
 Certificate of Authorization No. 9813
 2/10/04
 Waddell Hanger, P.E. No. 37156

PRODUCT: NON-IMPACT SINGLE HUNG WINDOWS RECTANGLE, CIRCLE TOP & OREMA.
 PART OR ASSEMBLY:
 WH BY
 RW BY

REVISIONS	
NO.	DATE
1	01/04
2	2/10/04

CORRECT DP TABLE
 REVISOR PER DATE LETTER

DATE: 10/27/03
 SCALE: N.T.S.
 DWG. BY: TJH
 CHK. BY: RW
 DRAWING NO.: S-2422
 SHEET 5 OF 5



MIAMI-DADE COUNTY, FLORIDA
METRO-DADE FLAGLER BUILDING
140 WEST FLAGLER STREET, SUITE 1603
MIAMI, FLORIDA 33130-1563
(305) 375-2901 FAX (305) 375-2908

MIAMI-DADE COUNTY, FLORIDA
METRO-DADE FLAGLER BUILDING
140 WEST FLAGLER STREET, SUITE 1603
MIAMI, FLORIDA 33130-1563
(305) 375-2901 FAX (305) 375-2908

NOTICE OF ACCEPTANCE (NOA)

Clopay Building Products Co.
8585 Duke Blvd.
Mason, OH 45040

SCOPE: This NOA is being issued under the applicable rules and regulations governing the use of construction materials. The documentation submitted has been reviewed by Miami-Dade County Product Control Division and accepted by the Board of Rules and Appeals (BORA) to be used in Miami Dade County and other areas where allowed by the Authority Having Jurisdiction (AHJ).

This NOA shall not be valid after the expiration date stated below. The Miami-Dade County Product Control Division (In Miami Dade County) and/or the AHJ (in areas other than Miami Dade County) reserve the right to have this product or material tested for quality assurance purposes. If this product or material fails to perform in the accepted manner, the manufacturer will incur the expense of such testing and the AHJ may immediately revoke, modify, or suspend the use of such product or material within their jurisdiction. BORA reserves the right to revoke this acceptance, if it is determined by Miami-Dade County Product Control Division that this product or material fails to meet the requirements of the applicable building code. This product is approved as described herein, and has been designed to comply with the Florida Building Code including the High Velocity Hurricane Zone.

DESCRIPTION: Sectional Garage Door 16'- 2" Wide.

APPROVAL DOCUMENT: Drawing No. 101300, titled "Double Car Hurricane Pan Door", dated 02/15/95 with last revision on 01/06/04, sheets 1 and 2 of 2, prepared by Clopay Building Products Co, signed and sealed by M. W. Westerfield, P.E., bearing the Miami-Dade County Product Control Revision stamp with the Notice of Acceptance number and expiration date by the Miami-Dade County Product Control Division.

MISSILE IMPACT RATING: Large and Small Missile Impact

LABELING: Each unit shall bear a permanent label with the manufacturer's name or logo, city, state and following statement: "Miami-Dade County Product Control Approved", unless otherwise noted herein.

RENEWAL of this NOA shall be considered after a renewal application has been filed and there has been no change in the applicable building code negatively affecting the performance of this product.

TERMINATION of this NOA will occur after the expiration date or if there has been a revision or change in the materials, use, and/or manufacture of the product or process. Misuse of this NOA as an endorsement of any product, for sales, advertising or any other purposes shall automatically terminate this NOA. Failure to comply with any section of this NOA shall be cause for termination and removal of NOA.

LIMITATION: This approval requires the manufacturer to do testing of all coils used to fabricate door panels under this Notice of Acceptance. A minimum of 2 specimens shall be cut from each coil and tensile tested according to ASTM E-8 by a Dade County approved laboratory selected and paid by the manufacturer. Every 3 months, four times a year, the manufacturer shall mail to this office: a copy of the tested reports with confirmation that the specimen were selected from coils at the manufacturer production facilities. And a notarized statement from the manufacturer that only coils with yield strength of 38000 psi or more shall be used to make door panels for Dade County under this Notice of Acceptance

ADVERTISEMENT: The NOA number preceded by the words Miami-Dade County, Florida, and followed by the expiration date may be displayed in advertising literature. If any portion of the NOA is displayed, then it shall be done in its entirety.

INSPECTION: A copy of this entire NOA shall be provided to the user by the manufacturer or its distributors and shall be available for inspection at the job site at the request of the Building Official.

This NOA renews NOA # 03-0829.05 and consists of this page, evidence page as well as the approval document mentioned above.

The submitted documentation was reviewed by **Candido E. Font PE.**

[Handwritten Signature]
 03/23/06



NOA No 05-1212.02
Expiration Date: March 26, 2007
Approval Date: March 23, 2006
Page 1

Clopay Building Products Co.

NOTICE OF ACCEPTANCE: EVIDENCE PAGE

A. DRAWINGS

1. *Drawing prepared by Clopay Building Products Co., titled "Double Car Hurricane Pan Door", Drawing No. 101300, dated 02/15/95, with last revision on 01/06/2004, sheets 1 through 2 of 2, signed and sealed by M.W. Westerfield, PE.*

B. TESTS

1. *Test report of large missile impact test per PA 201 and cyclic wind pressure test per PA 203 of "Garage Door", prepared by Hurricane Engineering & Testing, Inc., report No. HETI 95-408, dated 01/25/95, signed and sealed by H. M. Medina, PE.*
2. *Test report of Uniform Static Air Pressure Test Per PA 202 on "Garage Door", prepared by Hurricane Engineering & Testing, Inc., report No. HETI 95-407, dated 01/24/95, signed and sealed by H. M. Medina, PE.*
3. *Test report of Forced Entry Resistance per section 3603.2(b)5 on "Garage Door" prepared by Hurricane Engineering Testing, Inc. report No. HETI 95-407f, dated 01/25/95, signed and sealed by H. M. Medina, PE.*

C. CALCULATIONS

1. *Calculations dated 01/20/95; pages 1 and 2, prepared by M. W. Westerfield, PE, signed and sealed by M. W. Westerfield, PE.*
2. *Calculations dated 02/24/95, page 1, prepared M.W. Westerfield, PE, signed and sealed by M.W. Westerfield, PE.*

D. MATERIAL CERTIFICATIONS

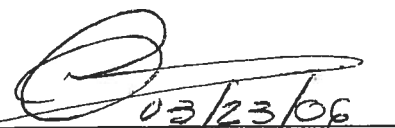
1. *Test report of Tensile Test per ASTM E 8, report No. HETI 94-T59, prepared by Hurricane Engineering & Testing, Inc., dated 02/06/95, signed and sealed by H.M. Medina, PE.*
2. *Test report of Salt Spray Test per ASTM D1654 & ASTM B117, report No. 9EM-1144, prepared by Q.C. Metallurgical, Inc., dated 06/03/99, signed and sealed by K. Grate.*

E. STATEMENTS.

1. *Affidavit of yield strength compliance prepared by R. D. Shifflett employed by Clopay Building Products Co., notarized on 01/11/2001 by B. H. Schuler.*

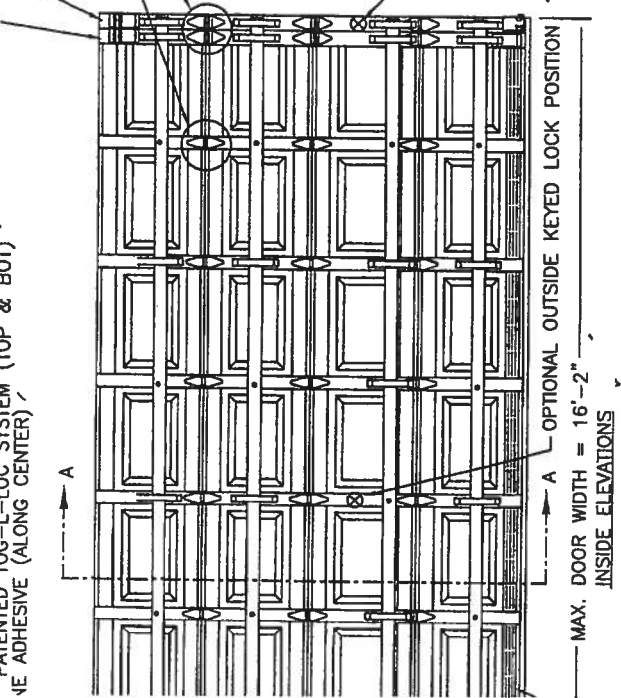
F. QUALITY ASSURANCE.

1. *Building Code Compliance Office.*


03/23/06
Candido E. Font, PE.
Senior Product Control Division
NOA No 05-1212.02
Expiration Date: March 26, 2007
Approval Date: March 23, 2006

5	8/25/2003	ADDED EXTEN
6	1/6/2004	JAMB ATTACH

16 GA. PAINTED END STILES ATTACHED TO DOOR SKIN WITH PATENTED TOG-L-LOC SYSTEM (TOP, BOTTOM & CENTER).



24 GA. DDS STEEL (MIN. YIELD STRENGTH: 38 KSI) EXTERIOR SKIN WITH G-40 GALVANIZING, BAKED-ON PRIMER AND A BAKED-ON POLYESTER PAINTED TOP COAT APPLIED TO BOTH SIDES OF STEEL SKIN. (ASTM No. A653).

12 GA. GALV. STEEL TOP R EACH BRACKET ATTACHED W SHEET METAL SCREWS. ADJ TO TOP BRACKET WITH (2) NUTS PER BRACKET.

14 GA. GALV. ROLLER HIN EACH HINGE FASTENED TO STILES W/(4) #14x5/8" S AND (4) 1/4"x3/4" SELF (SEE VIEW "B")

13 GA. GALV. STEEL BOTTOM BRACKET. ATTACHED WITH (2) #14x5/8" SHEET N

ONE 6" TALL C-CHANNEL P C-CHANNEL ATTACHED AT E (1) 1/4"x3/4" SELF TAPPIN

1-1/4" WIDE x 16 GA. GAL DOOR SECTION, EXCEPT (8) SECTION (SEE INSIDE ELEVA WITH (3) 1/4"x3/4" SELF 1 SCREWS TO DOOR, ONE SCI

ALUMINUM EXTRUSION & VINYL WEATHER: ATTACHED WITH (2) #14x5/8" ST

14 GA. END HINGES VIEW "B"

SHIP LAP JOINTS.

SECTION A-A (SIDE VIEW)

LOCK POSITION (BOTH SIDES) TWO POINT LOCKING HAS BEEN TESTED PER REQUIREMENTS OF SECTION 12.1 OF TAS 202. LOCKS HAVE 5/8" MIN. ENGAGEMENT. DOOR TESTED FOR FORCED ENTRY WITH BOTH OUTSIDE KEYS LOCK AND INSIDE SLIDE BOLT LOCK OPTIONS (SEE LAYOUT OF EACH LOCK ON NEXT PAGE).

24 GA. DDS STEEL (MIN. YIELD STRENGTH: 38 KSI) EXTERIOR SKIN WITH G-40 GALVANIZING, BAKED-ON PRIMER AND A BAKED-ON POLYESTER PAINTED TOP COAT APPLIED TO BOTH SIDES OF STEEL SKIN. (ASTM No. A653).

16 GA. PAINTED END STILES ATTACHED TO DOOR SKIN WITH PATENTED TOG-L-LOC SYSTEM (TOP, BOTTOM & CENTER).

12 GA. GALV. STEEL TOP R EACH BRACKET ATTACHED W SHEET METAL SCREWS. ADJ TO TOP BRACKET WITH (2) NUTS PER BRACKET.

14 GA. GALV. ROLLER HIN EACH HINGE FASTENED TO STILES W/(4) #14x5/8" S AND (4) 1/4"x3/4" SELF (SEE VIEW "B")

13 GA. GALV. STEEL BOTTOM BRACKET. ATTACHED WITH (2) #14x5/8" SHEET N

ONE 6" TALL C-CHANNEL P C-CHANNEL ATTACHED AT E (1) 1/4"x3/4" SELF TAPPIN

1-1/4" WIDE x 16 GA. GAL DOOR SECTION, EXCEPT (8) SECTION (SEE INSIDE ELEVA WITH (3) 1/4"x3/4" SELF 1 SCREWS TO DOOR, ONE SCI

ALUMINUM EXTRUSION & VINYL WEATHER: ATTACHED WITH (2) #14x5/8" ST

14 GA. END HINGES VIEW "B"

SHIP LAP JOINTS.

SECTION A-A (SIDE VIEW)

DOOR HEIGHT	"L"
6'-6"	70"
7'-0"	76"
7'-6"	82"
8'-0"	88"

CONTINUOUS ANGLE.

DOORS ONLY

DURATION

TRACK .083"

33, 84A, 93, 94

CONTINUAL TRACK SUPPORT BY DOOR INSTALLER (TO SUIT) FINANCE SYSTEM

PANEL GALV. INTER. STILES

PANEL PAINTED/GALV. INTER. STILES

OPENING HEIGHT = DOOR HEIGHT

3" GALV. TAPERED STEEL TRACK AND ANGLE. TRACK THICKNESS: .101". ANGLE THICKNESS: .080".

VERTICAL/HORIZONTAL TRACK JUNCTION. TWO 1/4" BOLTS & NUTS FOR EACH TRACK.

ADDITIONAL MOUNTING SLOTS SPACED AT 12" CENTERS.

14" MAXIMUM SPACING FROM LAST MOUNTING SLOT TO TRACK JUNCTION

HORIZONTAL TRACK SUPPORT BY DOOR INSTALLER (TO SUIT)

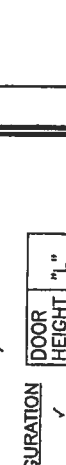
DOOR HEIGHT TRACK LENGTH

9'-0" 96"

10'-0" 108"

12'-0" 132"

ONE 5/16" x 1-5/8" LAG SCREW SPACED AT THE SAME DISTANCES AS THE TRACK BOLTS (I.E. 3'-1/2", 10", 22", 34", 46", ETC.). ADDITIONAL LAG SCREWS LOCATED AT 16", 28", & 40" FROM BOTTOM. ALSO TWO LAG SCREWS LOCATED ABOVE VERTICAL/HORIZONTAL TRACK JUNCTION.



DESIGN LOADS: +46.6 P.S.F. & -52.0 P.S.F. (MODELS 83, 84A, 93, 94)
DESIGN LOADS: +46.5 P.S.F. & -51.7 P.S.F. (MODELS H93, H94)

Handwritten signature and date: 1/6/04

UM DESIGN LOAD OF +372.8 LB & -416 LB. PER LINEAR FOOT OF JAMB. (NOT REQUIRED) COUNTERSUNK TO PROVIDE A FLUSH MOUNTING SURFACE.

BE FRAMED SOLID BY NOT LESS THAN (3) 2x6 PRESSURE TREATED GRADE 55 GRADE NOT LESS THAN 1200 PSI NOMINAL EXTREME FIBER STRESS 3'0" HIGH. STUD WALLS TO BE CONTINUOUS FROM FOOTING TO TIE BEAMS A BUILDING CODE. (4) 2x6 PRESSURE TREATED GRADE #2 OR BETTER LESS THAN 1200 PSI NOMINAL EXTREME FIBER STRESS IN BENDING FOR

TIE

TO GROUT REINFORCED BLOCK WALL OR CONCRETE COLUMN. WITH CONCRETE AND REINFORCED WITH #5 BAR EXTENDING

AS. ALL BARS SHALL BE CONTINUOUS FROM THE TIE BEAMS CONCRETE COLUMN. BLOCK WALLS AND CONCRETE COLUMNS TO BE OF RECORD AND IN ACCORDANCE WITH THE FLORIDA BUILDING CODE.

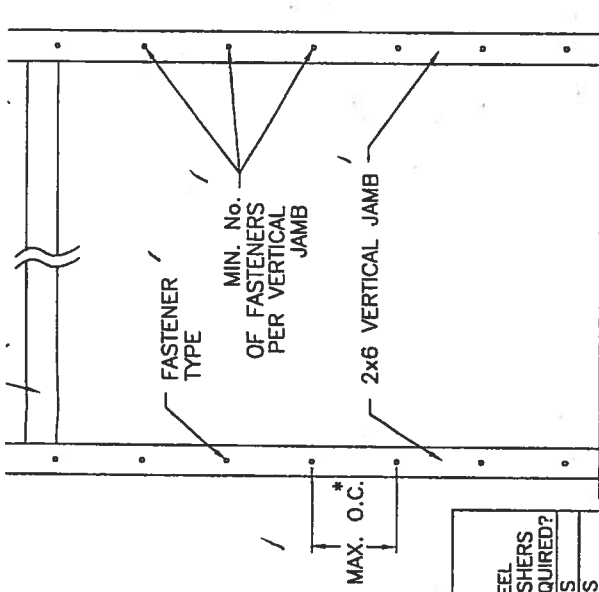
SUPPORTING STRUCTURE ATTACHMENT

MENT OF TRACK ANGLE TO 2x6 VERTICAL JAMBS OR SUPPORTING STRUCTURE)

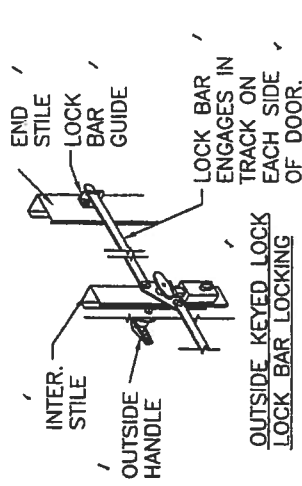
TYPE	MAXIMUM ON-CENTER DISTANCE BETWEEN FASTENERS*	STEEL WASHERS REQUIRED?
EMBED LAG SCREW (ASTM A307, GRADE A) 1-1/2" EMBED INTO STRUCTURE	16"	YES
3/4" MIN. EMBED ELCO TAPCON CONCRETE ANCHOR	10"	YES
3/4" MIN. EMBED POWER-STUD EXPANSION ANCHOR (7400 SERIES)	16"	NO
3/4" MIN. EMBED POWER LOK/BOLT ANCHOR BOLT (5000 SERIES)	14"	NO

ANCHOR AND EDGE OF CONCRETE BLOCK; 3", EXCLUDING STUCCO THICKNESS. NO MORE THAN HALF OF THE MAXIMUM ON-CENTER DISTANCE. HIGHEST ANCHOR INSTALLED AT LEAST AS HIGH AS THE DOOR OPENING.

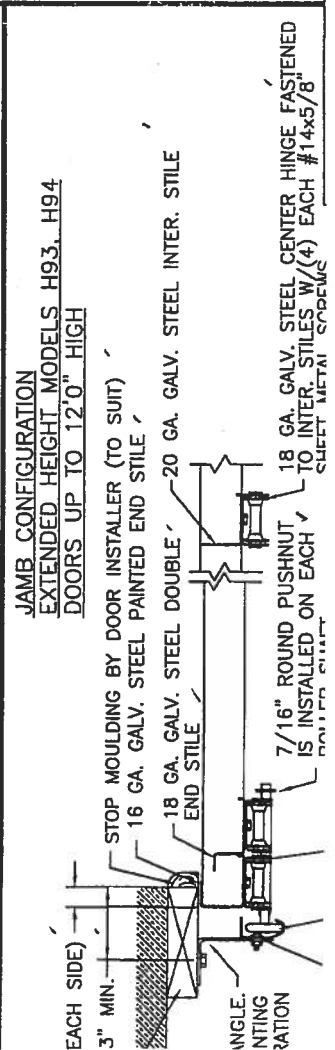
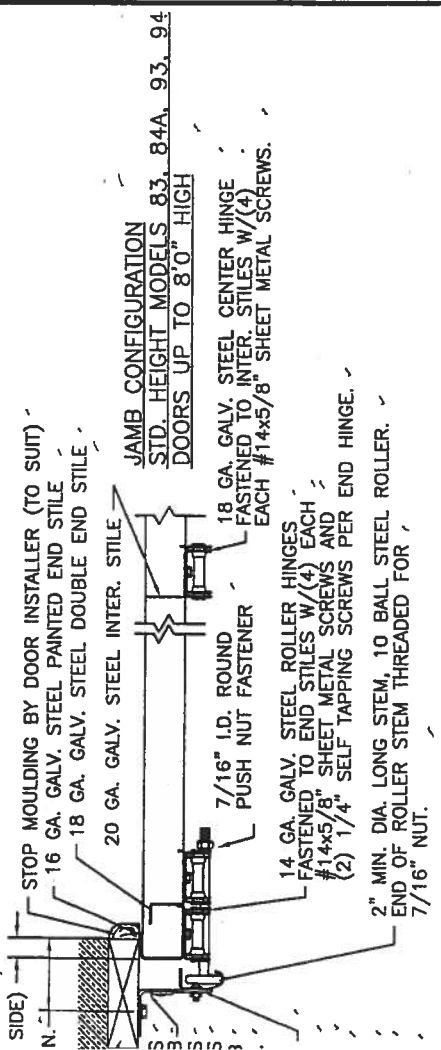
AD HAS BEEN USED IN THE DESIGN OF CONCRETE ANCHORS & WOOD FASTENERS.



5	8/25/03	ADDED EXTEND
6	1/6/04	JAMB ATTACHM



INTER.
OUTSIDE KEY
HAND



JAMB PREPARATION NOTE
EACH CONTINUOUS ANGLE TRACK SHALL BE FASTENED TO PINE WOOD JAMBS WITH 5/16"x1-5/8" LAG SCREWS (12 TO 9'0" HIGH AND (13) LAG SCREWS PER SIDE UP TO 8'0" TO 9'0" HIGH, (15) LAG SCREWS PER SIDE UP TO 10'0" SIDE UP TO 11'0" HIGH, (17) LAG SCREWS PER SIDE UP TO 10'0" ATTACHMENT TO THE SUPPORTING STRUCTURE OF THE PF SHALL BE APPROVED BY THE PROFESSIONAL OF RECORD ACCORDANCE WITH CURRENT BUILDING CODES FOR THE PREPARATION OF JAMBS BY OTHERS.

ALL MOUNTING OF TRACK, ANGLES, HORIZONTAL TRACK S DOOR HARDWARE TO BE INSTALLED PER CLOPAY INSTALL SUPPLIED WITH DOOR SYSTEM UNLESS OTHERWISE NOTED

PRODUCT REVIEWED
in conformance with the Florida Building Code
Acceptance No. 05-1212
Registration Date 05/28/04
Mark W. Westerfield, P.E.
Florida Registration No. 48495

Mark W. Westerfield
1/6/04
DESIGN ENGINEER
MARK W. WESTERFIELD, P.E.
FLORIDA REGISTRATION No. 48495

DESIGN LOADS: +46.6 P.S.F. & -52.0 P.S.F. (MODELS 83
DESIGN LOADS: +46.6 P.S.F. & -51.7 P.S.F. (MODEL H93



**BUILDING CODE COMPLIANCE OFFICE (BCCO)
PRODUCT CONTROL DIVISION**

**MIAMI-DADE COUNTY, FLORIDA
METRO-DADE FLAGLER BUILDING
140 WEST FLAGLER STREET, SUITE 1603
MIAMI, FLORIDA 33130-1563
(305) 375-2901 FAX (305) 375-2908**

NOTICE OF ACCEPTANCE (NOA)

**Mi Home Products, Inc.
650 West Market Street
Gratz, PA 17030**

SCOPE:

This NOA is being issued under the applicable rules and regulations governing the use of construction materials. The documentation submitted has been reviewed by Miami-Dade County Product Control Division and accepted by the Board of Rules and Appeals (BORA) to be used in Miami Dade County and other areas where allowed by the Authority Having Jurisdiction (AHJ).

This NOA shall not be valid after the expiration date stated below. The Miami-Dade County Product Control Division (In Miami Dade County) and/or the AHJ (in areas other than Miami Dade County) reserve the right to have this product or material tested for quality assurance purposes. If this product or material fails to perform in the accepted manner, the manufacturer will incur the expense of such testing and the AHJ may immediately revoke, modify, or suspend the use of such product or material within their jurisdiction. BORA reserves the right to revoke this acceptance, if it is determined by Miami-Dade County Product Control Division that this product or material fails to meet the requirements of the applicable building code.

This product is approved as described herein, and has been designed to comply with the Florida Building Code, including the High Velocity Hurricane Zone.

DESCRIPTION: Series "Betterbilt D485/D3485" Aluminum Sliding Patio Door

APPROVAL DOCUMENT: Drawing No. S-2425, titled "Non-Impact Aluminum Sliding Patio Door Up to 6'0 x 6'8", sheets 1 through 5 of 5, prepared by R.W. Building Consultants, Inc., dated 12/18/03, signed and sealed by Lyndon F. Schmidt, P.E., bearing the Miami-Dade County Product Control Approval stamp with the Notice of Acceptance number and approval date by the Miami-Dade County Product Control Division.

MISSILE IMPACT RATING: None

LABELING: Each unit shall bear a permanent label with the manufacturer's name or logo, city, state and following statement: "Miami-Dade County Product Control Approved", unless otherwise noted herein.

RENEWAL of this NOA shall be considered after a renewal application has been filed and there has been no change in the applicable building code negatively affecting the performance of this product.

TERMINATION of this NOA will occur after the expiration date or if there has been a revision or change in the materials, use, and/or manufacture of the product or process. Misuse of this NOA as an endorsement of any product, for sales, advertising or any other purposes shall automatically terminate this NOA. Failure to comply with any section of this NOA shall be cause for termination and removal of NOA.

ADVERTISEMENT: The NOA number preceded by the words Miami-Dade County, Florida, and followed by the expiration date may be displayed in advertising literature. If any portion of the NOA is displayed, then it shall be done in its entirety.

INSPECTION: A copy of this entire NOA shall be provided to the user by the manufacturer or its distributors and shall be available for inspection at the job site at the request of the Building Official.

This NOA consists of this page 1 and evidence page E-1, as well as approval document mentioned above.

The submitted documentation was reviewed by **Theodore Berman, P.E.**

AMB
2/13/2004



**NOA No 03-1224.01
Expiration Date: March 04, 2009
Approval Date: March 04, 2004**

Mi Home Products, Inc.

NOTICE OF ACCEPTANCE: EVIDENCE SUBMITTED

A. DRAWINGS

1. Manufacturer's die drawings and sections.
Drawing No. S-2425, titled "Non-Impact Aluminum Sliding Patio Door Up to 6'0 x 6'8", sheets 1 through 5 of 5, prepared by R.W. Building Consultants, Inc., dated 12/18/03, signed and sealed by Lyndon F. Schmidt, P.E.

B. TESTS

1. Test reports on 1) Air Infiltration Test, per FBC, TAS 202-94
2) Uniform Static Air Pressure Test, Loading per FBC, TAS 202-94
3) Water Resistance Test, per FBC, TAS 202-94
4) Forced Entry Test, per FBC 2411.3.2.1 and TAS 202-94
along with marked-up drawings and installation diagram of an aluminum patio door, prepared by Architectural Testing, Test Report No. ATI-03064 dated 12/17/03, signed and sealed by Steven M. Urich, P.E.

C. CALCULATIONS

1. Anchor Calculations, ASTM-E1300-98, and structural analysis, prepared by R.W. Building Consultants, Inc., dated 12/22/03, signed and sealed by Lyndon Schmidt, P.E.
2. Revised Anchor Calculations and structural analysis, prepared by R.W. Building Consultants, Inc., dated 02/10/03, signed and sealed by Lyndon Schmidt, P.E.

D. QUALITY ASSURANCE

1. Miami Dade Building Code Compliance Office (BCCO).

E. MATERIAL CERTIFICATIONS

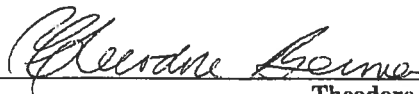
1. None.

F. STATEMENTS

1. Statement letter of compliance and of no financial interest, dated 12/18/03, signed and sealed by Lyndon F. Schmidt, P.E.
2. Letter from MI Home Products, Inc., dated 11/08/03, stating that they have no financial interest with the laboratory that performed the testing of their products, signed by Stu White.

G. OTHER

1. Letter from the consultant stating that the product is in compliance with the Florida Building Code.

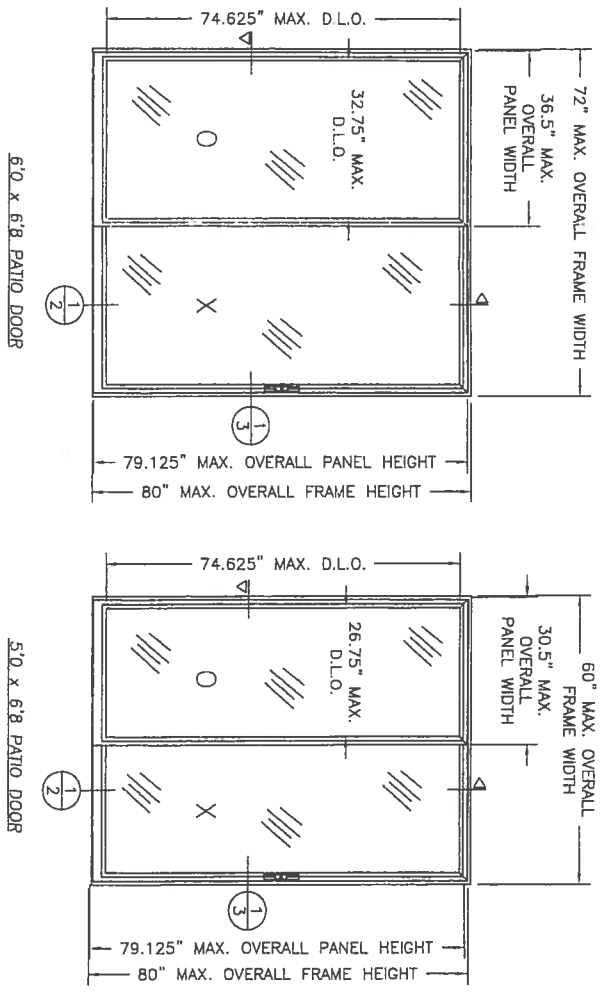


Theodore Berman, P.E.
Deputy Director, Product Control Division
NOA No 03-1224.01
Expiration Date: March 04, 2009
Approval Date: March 04, 2004

M HOME PRODUCTS
 HOME PRODUCTS
 650 WEST MARKET STREET • GRANTZ, PA • 17030-0370
SERIES BETTERBILT D485/D3485
ALUMINUM SLIDING PATIO DOOR

GENERAL NOTES:
 1. THIS PRODUCT IS DESIGNED TO COMPLY WITH THE HVHZ FLORIDA BUILDING CODE.
 2. WOOD BUCKS MUST BE ANCHORED PROPERLY TO TRANSFER LOADS TO STRUCTURE AND TO BE REVIEWED BY BUILDING OFFICIAL.
 3. PRODUCT ANCHORS SHALL BE AS LISTED AND SPACED AS SHOWN ON DETAILS. ANCHOR EMBEDMENT TO BASE MATERIAL SHALL BE BEYOND WALL DRESSING OR STUCCO.
 4. FOR DESIGN PRESSURE RATING SEE TABLE THIS SHEET.
 5. INSTALLATION OF THIS SYSTEM IN HVHZ AREA REQUIRES THE USE OF APPROVED SHUTTER/EXTERNAL PROTECTION DEVICE COMPLYING WITH HVHZ REQUIREMENTS. INSTALLATION OF THIS SYSTEM OUTSIDE OF HVHZ SHALL MEET THE APPLICABLE CODE REQUIREMENTS FOR WINDBORNE DEBRIS PROTECTION.
 6. THIS PRODUCT MEETS WATER REQUIREMENTS FOR HIGH VELOCITY HURRICANE ZONES.

SHEET #	DESCRIPTION
1	GENERAL NOTES & TYPICAL ELEVATIONS
2	VERTICAL CROSS SECTIONS & CONSTRUCTION NOTES
3	HORIZONTAL CROSS SECTIONS
4	ANCHORING LOCATIONS & GLAZING DETAIL
5	BILL OF MATERIALS & UNIT COMPONENTS



ALL ELEVATIONS ARE VIEWED FROM EXTERIOR

DESIGN PRESSURE RATING
 +57.52 PSF - 74.0 PSF

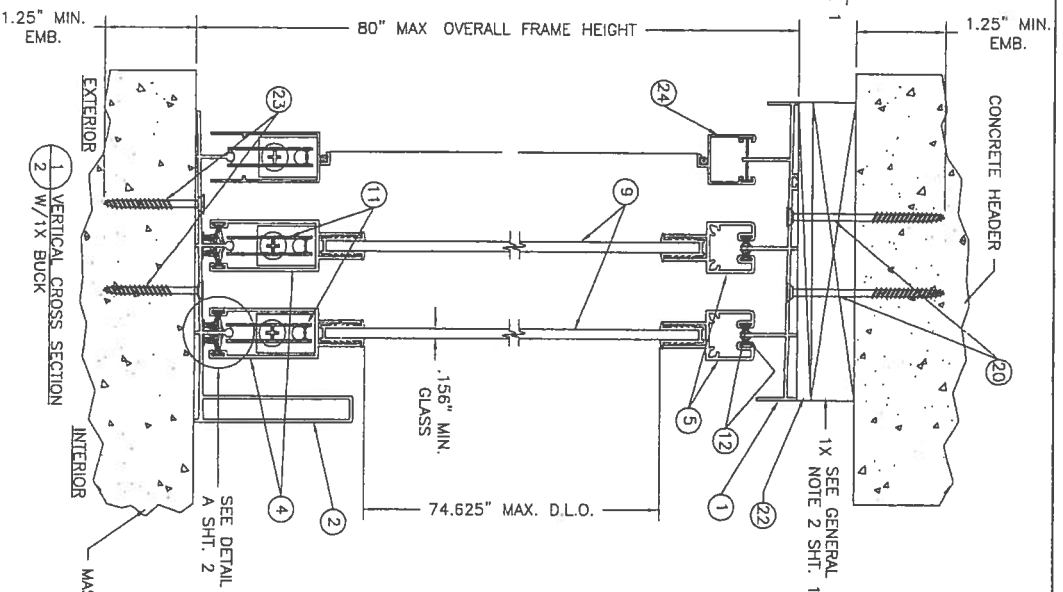
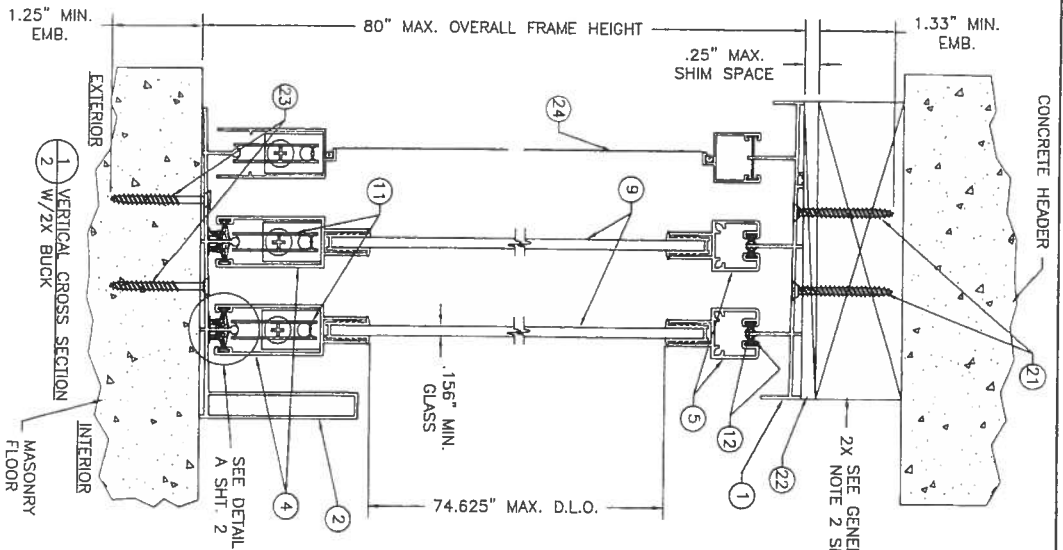
Approved on drawings with the Product Approval Documents Form 08/04/04
 NDMM 08-1224-01
 Michael Dwyer, President/General Manager
 Lyndon F. Schmidt, P.E.

DATE:	12/18/03
SCALE:	N.T.S.
DRG. BY:	TJH
CHK. BY:	RW
DRAWING NO.:	S-2425
SHEET:	1 OF 5

NO.	DATE	REVISIONS

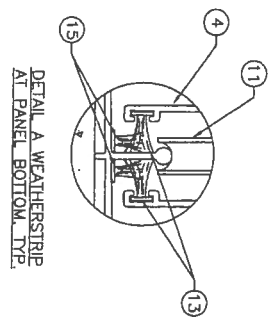
PRODUCT:
 NON-IMPACT ALUMINUM SLIDING PATIO DOOR UP TO 6'0" x 6'8"
 PART OR ASSEMBLY:
 GENERAL NOTES & TYPICAL ELEVATIONS

Product Approval Documents Prepared By:
 BUILDING CONSULTANTS, INC.
 P.O. Box 230 Velico FL 33595
 Phone No.: 813.659.9197
 Florida Board of Professional Engineers
 Certificate Of Authorization No. 9813
 12/22/03
 Lyndon F. Schmidt, P.E. NO. 43409



FRAME CONSTRUCTION NOTE:
 THE FRAME CORNERS ARE BUTTED AND SECURED WITH (2) ITEM #19, A #8 x 5/8" FLAT HEAD SCREW, AT EACH CORNER THROUGH THE HEAD AND SILL INTO THE JAMB SCREW BOSS.

PANEL CONSTRUCTION NOTE:
 THE PANELS CORNERS ARE BUTTED AND SECURED WITH (2) #8 x 3/4" PAN HEAD SCREWS LOCATED THROUGH THE PANEL JAMBS AND INTO THE PANEL HEAD AND SILL SCREW BOSS.



Approved for construction with the
 Florida Building Code
 Date 09/10/10
 NOVA/2012/24-01
 National Flood Protection Council
 Division of Building
 By: Lyndon F. Schmidt, P.E.

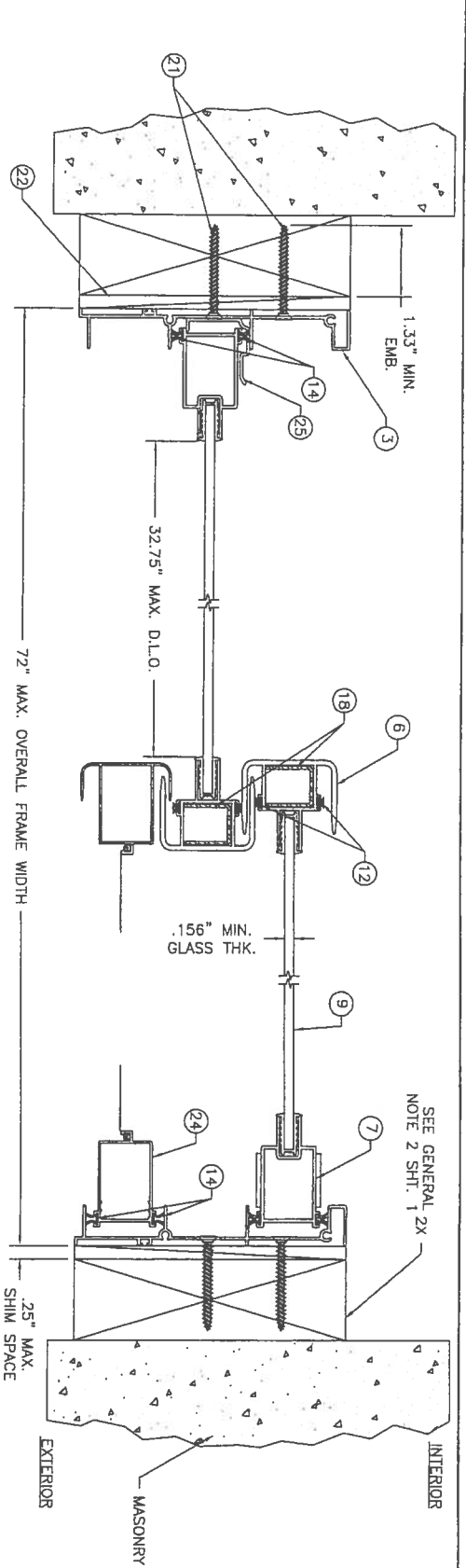
DATE	12/18/03
SCALE	N.T.S.
DRG. BY	TJH
CHK. BY	RW
DRAWING NO.	S-2425
SHEET	2 OF 5

NO.	DATE	REVISIONS	BY

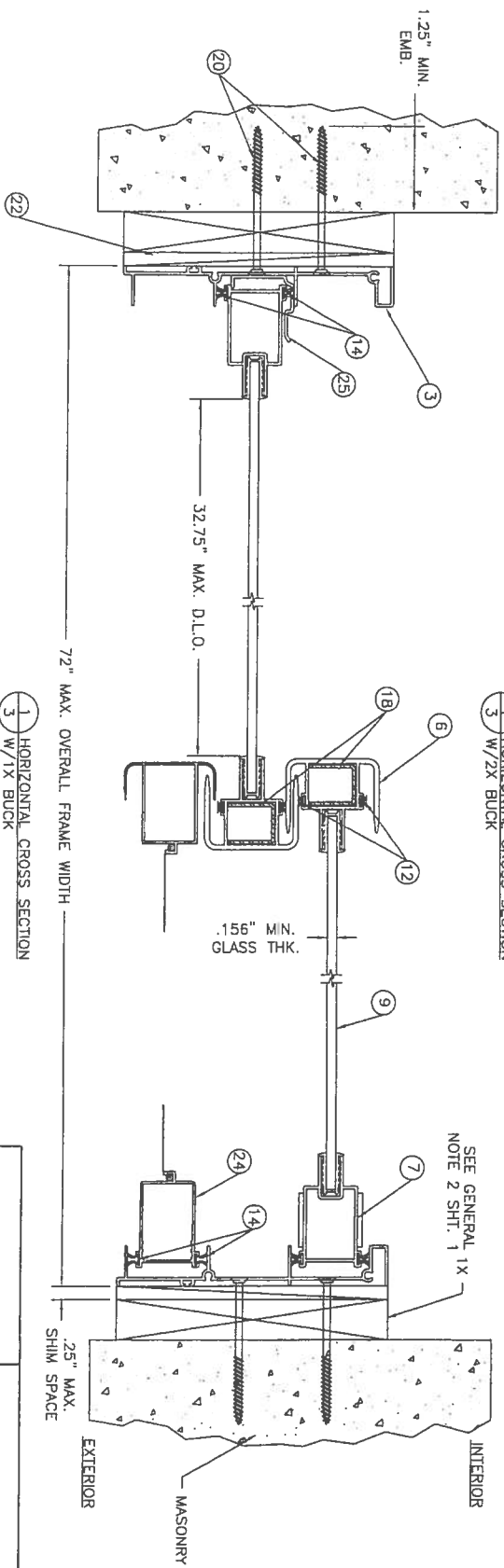
PRODUCT:
 NON-IMPACT ALUMINUM
 SLIDING PATIO DOOR
 UP TO 6'0" x 6'8"

PART OR ASSEMBLY:
 VERTICAL CROSS SECTIONS
 & CONSTRUCTION NOTES

Product Approval Documents Prepared By:
 BUILDING CONSULTANTS, INC.
 P.O. Box 230 Vero Beach, FL 33595
 Phone No.: 813.659.9197
 Florida Board of Professional Engineers
 Certificate of Authorization No. 9813
 12/22/03
 Lyndon F. Schmidt, P.E. NO. 43409



1 HORIZONTAL CROSS SECTION
3 W/1X BUCK



1 HORIZONTAL CROSS SECTION
3 W/1X BUCK

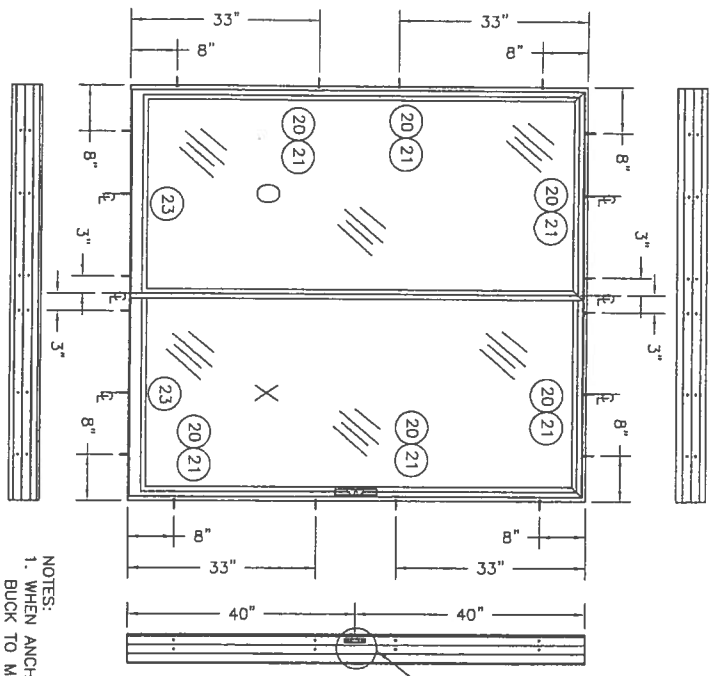
Approved for use in the State of Florida
 Building Consultant
 Lyndon F. Schmidt, P.E.
 License No. 9813
 Florida Board of Professional Engineers
 Certificate of Authorization No. 9813
 By: *Lyndon F. Schmidt*

DATE: 12/18/03
 SCALE: N.T.S.
 DWG. BR: TJH
 CHK. BR: RW
 DRAWING NO.: S-2425
 SHEET 3 OF 5

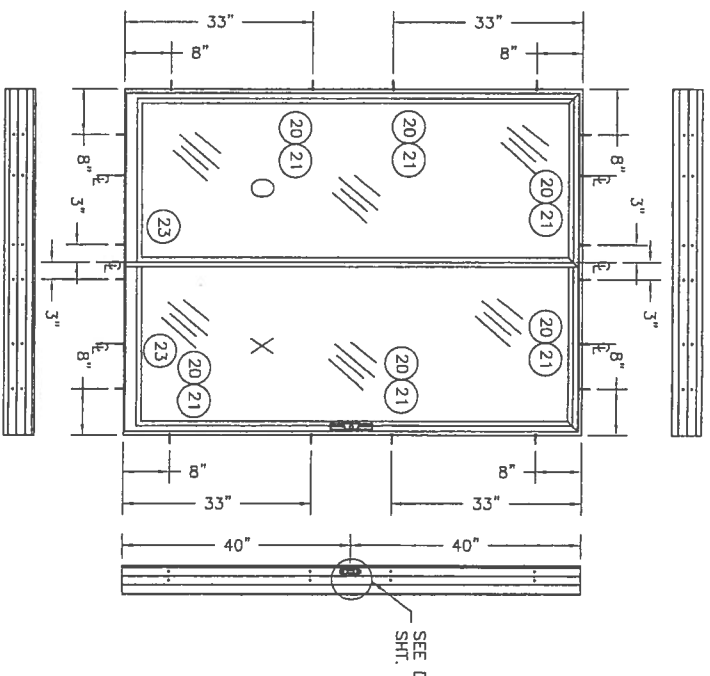
NO.	DATE	REVISIONS	BY

PRODUCT:
 NON-IMPACT ALUMINUM
 SLIDING PATIO DOOR
 UP TO 6'0" x 6'8"
 PART OR ASSEMBLY:
 HORIZONTAL CROSS
 SECTIONS

Product Approval Documents Prepared By:
 BUILDING CONSULTANTS, INC.
 P.O. Box 230 Valrico FL 33595
 Phone No.: 813.859.9197
 Florida Board of Professional Engineers
 Certificate of Authorization No. 9813
 12/22/03
 Lyndon F. Schmidt, P.E. NO. 43409

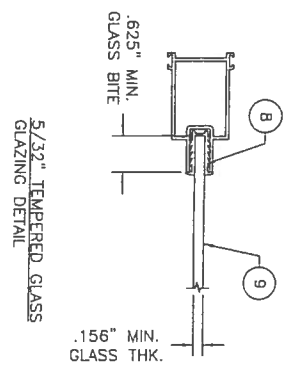


6'0" x 6'8" PATIO DOOR
SEE NOTES SHIT. 4

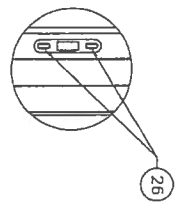


5'0" x 6'8" PATIO DOOR
SEE NOTES SHIT. 4

- NOTES:
1. WHEN ANCHORING THE UNIT TO A 2X BUCK TO MASONRY USE ITEM #21, A #10 x 1 3/4" PHILLIPS FLAT HEAD SHEET METAL SCREW AT THE HEAD AND SIDES.
 2. WHEN ANCHORING THE UNIT THROUGH A 1X BUCK INTO MASONRY USE ITEM #20, A 3/16" x 2 3/4" TAPCON ANCHOR AT THE HEAD AND SIDES.
 3. USE (2) ANCHORS PER EACH ANCHORING LOCATION SHOWN ABOVE.



5/32" TEMPERED GLASS
GLAZING DETAIL



DETAIL B
JAMB KEEPER ATTACHMENT

Approved as recorded with the Building Department
Date: 09/03/03
By: [Signature]
Professional Engineer
No. 0274237-01
Div. 1
By: [Signature]

DATE:	12/18/03
SCALE:	N.T.S.
CHK. BY:	T/JH
DWG. NO.:	S-2425
SHEET:	4 OF 5

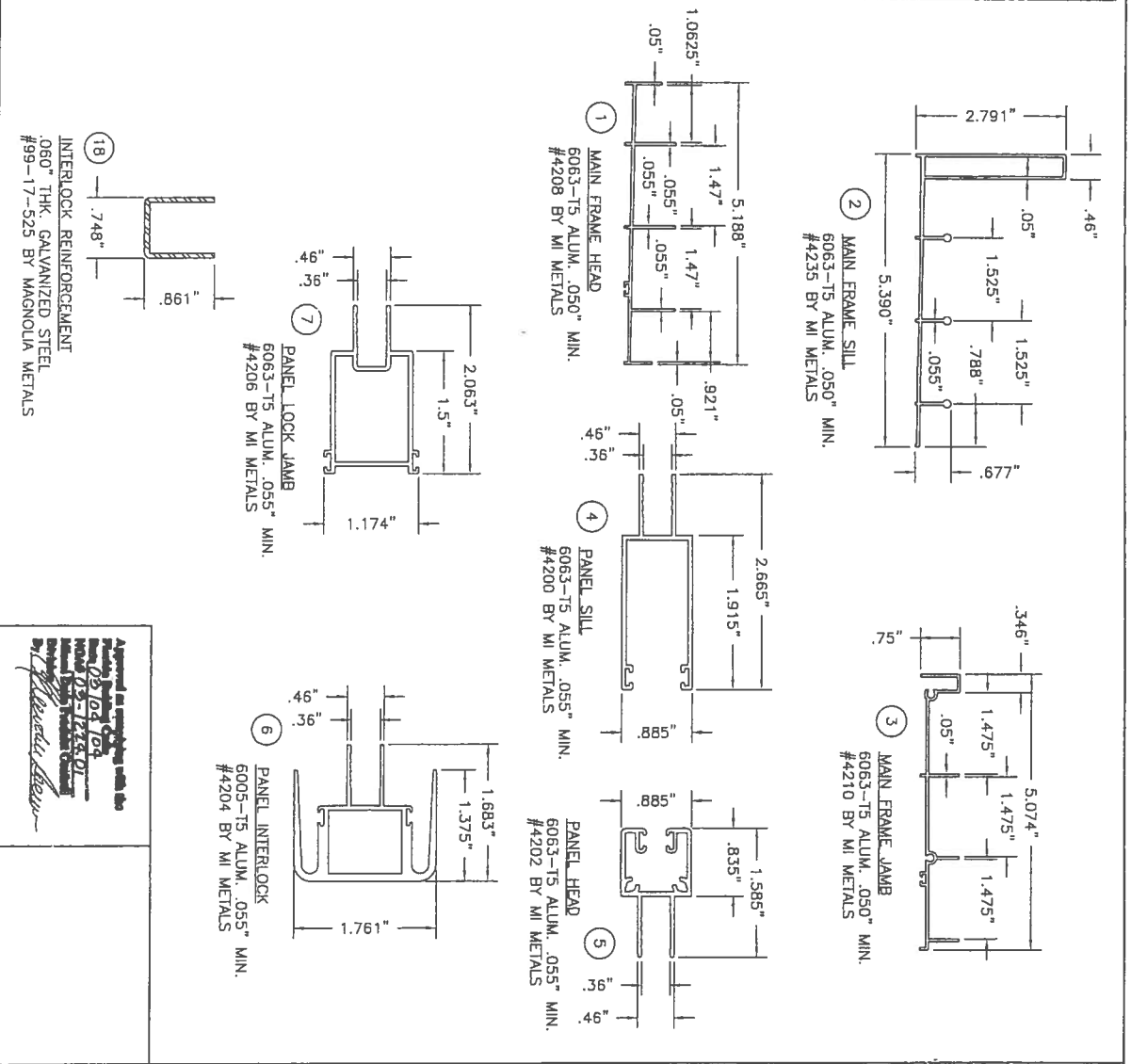
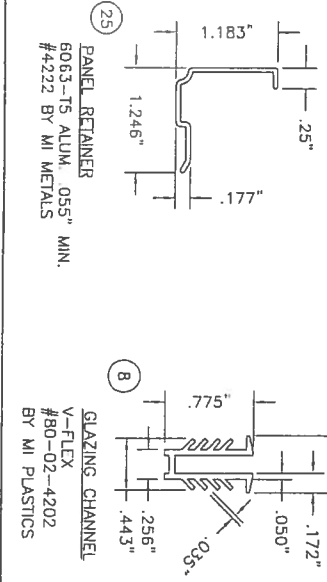
NO.	DATE	REVISIONS	BY

PRODUCT:
NON-IMPACT ALUMINUM
SLIDING PATIO DOOR
UP TO 6'0" x 6'8"

PART OR ASSEMBLY:
ANCHORING LOCATIONS
& GLAZING DETAILS

Product Approval Documents Prepared By:
BUILDING CONSULTANTS, INC.
P.O. Box 230 Valrico FL 33595
Phone No.: 813.658.9197
Florida Board of Professional Engineers
Certificate of Authorization No. 9813
12/22/03
Lynden F. Schmidt, P.E. NO. 43409

ITEM	DESCRIPTION	MATERIAL
1	EXTRUDED ALUM. MAIN FRAME HEAD #4208 BY MI METALS	ALUM.
2	EXTRUDED ALUM. MAIN FRAME SILL #4235 BY MI METALS	ALUM.
3	EXTRUDED ALUM. MAIN FRAME JAMB #4200 MI METALS	ALUM.
4	EXTRUDED ALUM. PANEL SILL #4200 MI METALS	ALUM.
5	EXTRUDED ALUM. PANEL HEAD #4202 BY MI METALS	ALUM.
6	EXTRUDED ALUM. PANEL INTERLOCK #4204 BY MI METALS	ALUM.
7	EXTRUDED ALUM. PANEL LOCK JAMB #4206 BY MI METALS	ALUM.
8	GLAZING CHANNEL #80-02-4202 BY MI PLASTICS	V-FLEX
9	GLAZING 5/32" TEMPERED GLASS	GLASS
10	MORTISE HANDLE SET #99-04-150 BY THRUOUT HARDWARE	STEEL
11	TANDEM PANEL ROLLER #99-17-195 BY ULTRA	STEEL
12	CENTER FIN SEAL .180 x .250 PANEL HEAD & INTERLOCK BY AMESBURY	SYN. PILE
13	SIDE FIN SEAL .180 x .350 PANEL SILL BY AMESBURY	SYN. PILE
14	CENTER FIN SEAL .187 x .290 PANEL JAMB BY AMESBURY	SYN. PILE
15	NO FIN SEAL .270 x .290 SILL BY AMESBURY	SYN. PILE
16	#6 x 3/4" SQ. DR. SCREW PANEL HEAD TO JAMB	STEEL
17	1/4"-20 x 3/4" SQ. DR. SCREW FOR PANEL ASSEMBLY	STEEL
18	INTERLOCK REINFORCEMENT #99-17-525 BY MAGNOLIA METALS	STEEL
19	#8 x 5/8" FLAT HEAD SCREW FRAME CORNERS	STEEL
20	3/16" x 2 3/4" TAPCON ANCHOR	STEEL
21	#10 x 1 3/4" SHEET METAL SCREW	STEEL
22	1/4" MAX. SHIM MATERIAL	—
23	3/16" x 1 3/4" TAPCON ANCHOR	STEEL
24	ROLLING SCREEN DOOR ASSEMBLY	—
25	EXTRUDED ALUM. PANEL RETAINER #4222 BY MI METALS	ALUM.
26	#8 x 2" PHILLIPS PAN HEAD SHEET METAL SCREW	STEEL



Approved for use with the

 Lyndon F. Schmidt, P.E.
 Florida Board of Professional Engineers
 Certificate of Authorization No. 9813

DATE: 12/18/03	SCALE: N.T.S.	DWG. BR: T/JH	CHK. BR: RW	DRAWING NO.: S-2425	SHEET: 5 OF 5
PRODUCT: NON-IMPACT ALUMINUM SLIDING PATIO DOOR UP TO 6'0" x 6'8"			PART OR ASSEMBLY: BILL OF MATERIALS & UNIT COMPONENTS		
NO. DATE			BY		
REVISIONS					

Product Approval Documents Prepared By:
 RW BUILDING CONSULTANTS, INC.
 P.O. Box 230 Velrico FL 33585
 Phone No.: 813.859.9197
 Florida Board of Professional Engineers
 Certificate of Authorization No. 9813
 Lyndon F. Schmidt, P.E. NO. 43408



**BUILDING CODE COMPLIANCE OFFICE (BCCO)
PRODUCT CONTROL DIVISION**

**MIAMI-DADE COUNTY, FLORIDA
METRO-DADE FLAGLER BUILDING
140 WEST FLAGLER STREET, SUITE 1603
MIAMI, FLORIDA 33130-1563
(305) 375-2901 FAX (305) 375-2908**

NOTICE OF ACCEPTANCE (NOA)

**Tamko Roofing Products, Inc.
P.O. Box 1404
Joplin, MO 64802**

SCOPE:

This NOA is being issued under the applicable rules and regulations governing the use of construction materials. The documentation submitted has been reviewed by Miami-Dade County Product Control Division and accepted by the Board of Rules and Appeals (BORA) to be used in Miami Dade County and other areas where allowed by the Authority Having Jurisdiction (AHJ).

This NOA shall not be valid after the expiration date stated below. The Miami-Dade County Product Control Division (In Miami Dade County) and/or the AHJ (in areas other than Miami Dade County) reserve the right to have this product or material tested for quality assurance purposes. If this product or material fails to perform in the accepted manner, the manufacturer will incur the expense of such testing and the AHJ may immediately revoke, modify, or suspend the use of such product or material within their jurisdiction. BORA reserves the right to revoke this acceptance, if it is determined by Miami-Dade County Product Control Division that this product or material fails to meet the requirements of the applicable building code.

This product is approved as described herein, and has been designed to comply with the High Velocity Hurricane Zone of the Florida Building Code.

DESCRIPTION: TAMKO Heritage Declaration & Heritage XL Roof Shingles

LABELING: Each unit shall bear a permanent label with the manufacturer's name or logo, city, state and following statement: "Miami-Dade County Product Control Approved", unless otherwise noted herein.

RENEWAL of this NOA shall be considered after a renewal application has been filed and there has been no change in the applicable building code negatively affecting the performance of this product.

TERMINATION of this NOA will occur after the expiration date or if there has been a revision or change in the materials, use, and/or manufacture of the product or process. Misuse of this NOA as an endorsement of any product, for sales, advertising or any other purposes shall automatically terminate this NOA. Failure to comply with any section of this NOA shall be cause for termination and removal of NOA.

ADVERTISEMENT: The NOA number preceded by the words Miami-Dade County, Florida, and followed by the expiration date may be displayed in advertising literature. If any portion of the NOA is displayed, then it shall be done in its entirety.

INSPECTION: A copy of this entire NOA shall be provided to the user by the manufacturer or its distributors and shall be available for inspection at the job site at the request of the Building Official.

This consists of pages 1 through 4.

The submitted documentation was reviewed by Frank Zuloaga, RRC



**NOA No.: 03-0620.01
Expiration Date: 09/04/08
Approval Date: 09/04/03
Page 1 of 4**

ROOFING ASSEMBLY APPROVAL

Category: Roofing
Sub-Category: 07310 Composition Shingles
Materials: Dimensional
Deck Type: Wood

1. SCOPE:

This approves **Tamko Heritage Declaration and Heritage XL** Asphalt Shingles, manufactured by **Tamko Roofing Products, Inc.** as described in this Notice of Acceptance.

2. PRODUCT DESCRIPTION

<u>Product</u>	<u>Dimensions</u>	<u>Test Specifications</u>	<u>Product Description</u>
Heritage Declaration & Heritage XL	12" x 36"	TAS 110	A heavy weight dimensional asphalt shingle.

3. EVIDENCE SUBMITTED:

<u>Test Agency</u>	<u>Test Identifier</u>	<u>Test Name/Report</u>	<u>Date</u>
PRI Asphalt Technologies, Inc.	TAS 100	TAP-066-02-01	01/09/03
		TAP-073-02-01	05/20/03
Underwriters Laboratories, Inc.	ASTM D 3462	R2919	06/12/03
Underwriters Laboratories, Inc.	TAS 107	03CA08442	06/12/03

4. LIMITATIONS

- 4.1 Fire classification is not part of this acceptance; refer to a current Approved Roofing Materials Directory for fire ratings of this product.
- 4.2 Shall not be installed on roof mean heights in excess of 33 ft.
- 4.3 All products listed herein shall have a quality assurance audit in accordance with the Florida Building Code and Rule 9B-72 of the Florida Administrative Code.

5. INSTALLATION

- 5.1 Shingles shall be installed in accordance with Roofing Application Standard RAS 115.
- 5.2 The manufacturer shall provide clearly written application instructions.
- 5.3 Exposure and course layout shall be in compliance with Detail 'A', attached.
- 5.4 Nailing shall be in compliance with Detail 'B', attached.

6. LABELING

- 5.1 Shingles shall be labeled with the Miami-Dade Logo or the wording "Miami-Dade County-Product Control Approved".

7. BUILDING PERMIT REQUIREMENTS

- 7.1 Application for building permit shall be accompanied by copies of the following:
 - 7.1.1 This Notice of Acceptance.
 - 7.1.2 Any other documents required by the Building Official or the applicable Building Code in order to properly evaluate the installation of this system.

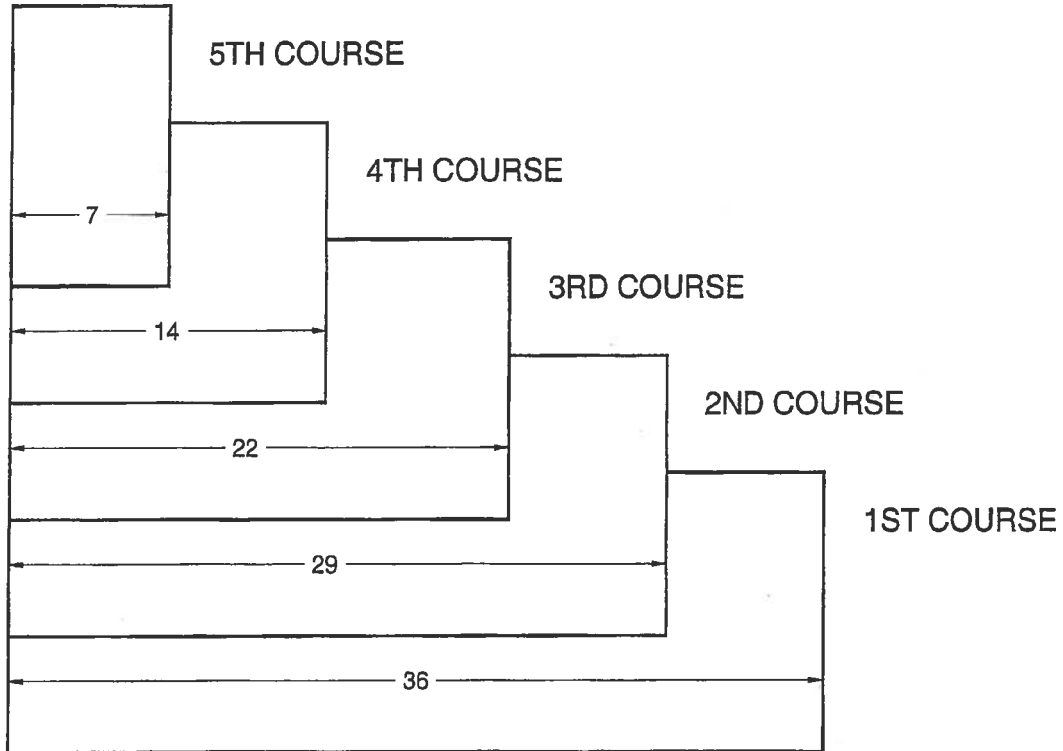


NOA No.: 03-0620.01
Expiration Date: 09/04/08
Approval Date: 09/04/03
Page 2 of 4

DETAIL A

HERITAGE DECLARATION & XL

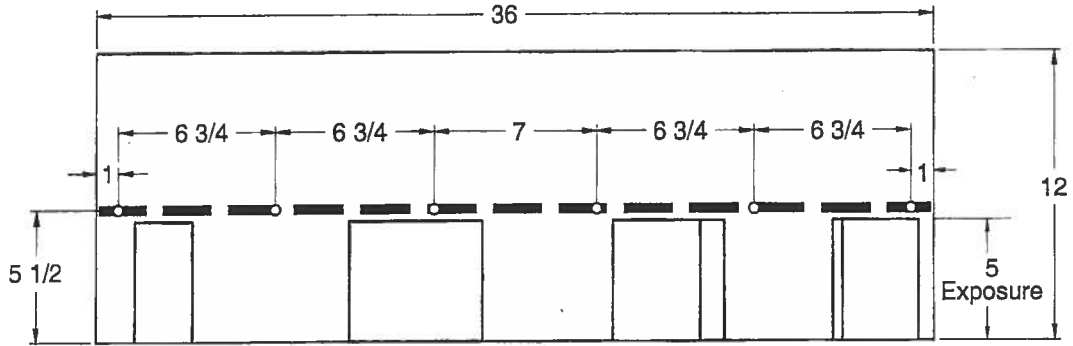
All dimensions are in inches.



DETAIL B

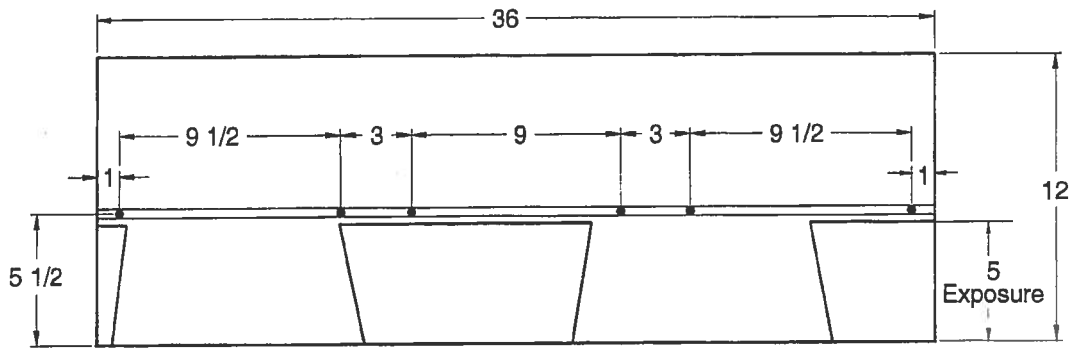
HERITAGE DECLARATION

12" x 36" LAMINATED SHINGLE
All dimensions are in inches.



HERITAGE XL

12" x 36" LAMINATED SHINGLE
All dimensions are in inches.



END OF THIS ACCEPTANCE



NOA No.: 03-0620.01
Expiration Date: 09/04/08
Approval Date: 09/04/03
Page 4 of 4



BUILDING CODE COMPLIANCE OFFICE (BCCO)
 PRODUCT CONTROL DIVISION

MIAMI-DADE COUNTY, FLORIDA
 METRO-DADE FLAGLER BUILDING
 140 WEST FLAGLER STREET, SUITE 1603
 MIAMI, FLORIDA 33130-1563
 (305) 375-2901 FAX (305) 375-2908

NOTICE OF ACCEPTANCE (NOA)

Therma-Tru Corporation
 108 Mutzfeld Road
 Butler, IN 46721

SCOPE:

This NOA is being issued under the applicable rules and regulations governing the use of construction materials. The documentation submitted has been reviewed by the BCCO and accepted by the Building Code and Product Review Committee (BCPRC) to be used in Miami Dade County and other areas where allowed by the Authority Having Jurisdiction (AHJ).

This NOA shall not be valid after the expiration date stated below. The BCCO (In Miami Dade County) and/or the AHJ (in areas other than Miami Dade County) reserve the right to have this product or material tested for quality assurance purposes. If this product or material fails to perform in the accepted manner, the manufacturer will incur the expense of such testing and the AHJ may immediately revoke, modify, or suspend the use of such product or material within their jurisdiction. BCPRC reserves the right to revoke this acceptance, if it is determined by BCCO that this product or material fails to meet the requirements of the applicable building code.

This product is approved as described herein, and has been designed to comply with the South Florida Building Code, 1994 Edition for Miami-Dade County or Florida Building Code.

DESCRIPTION: Outswing Glazed Residential Steel Door w/Sidelites

APPROVAL DOCUMENT: Drawing No. S-2003, titled "Therma-Tru Wood edge Outswing", sheets 1 through 6 to 6, prepared by RW Consulting, dated 3/9/01, bearing the Miami-Dade County Product Control Renewal stamp with the Notice of Acceptance number and expiration date by the Miami-Dade County Product Control Division.

MISSILE IMPACT RATING: None

LABELING: Each unit shall bear a permanent label with the manufacturer's name or logo, city, state and following statement: "Miami-Dade County Product Control Approved", unless otherwise noted herein.

RENEWAL of this NOA shall be considered after a renewal application has been filed and there has been no change in the applicable building code negatively affecting the performance of this product.

TERMINATION of this NOA will occur after the expiration date or if there has been a revision or change in the materials, use, and/or manufacture of the product or process. Misuse of this NOA as an endorsement of any product, for sales, advertising or any other purposes shall automatically terminate this NOA. Failure to comply with any section of this NOA shall be cause for termination and removal of NOA.

ADVERTISEMENT: The NOA number preceded by the words Miami-Dade County, Florida, and followed by the expiration date may be displayed in advertising literature. If any portion of the NOA is displayed, then it shall be done in its entirety.

INSPECTION: A copy of this entire NOA shall be provided to the user by the manufacturer or its distributors and shall be available for inspection at the job site at the request of the Building Official.

This NOA renews NOA # 00-0207.06 and, consists of this page 1 as well as approval document mentioned above. The submitted documentation was reviewed by **Raul Rodriguez**.



NOA No 02-0418.01
 Expiration Date: April 05, 2007
 Approval Date: May 23, 2002
 Page 1

THERMA-TRU®

"CONSTRUCTION" AND "PREMIUM" SERIES
INSULATED STEEL DOOR WITH WOOD FRAMES.

GENERAL NOTES

- THIS PRODUCT IS DESIGNED TO MEET THE SOUTH FLORIDA BUILDING CODE 1994 EDITION FOR MIAMI-DADE COUNTY. WOOD BUCKS BY OTHERS, MUST BE ANCHORED PROPERLY TO TRANSFER LOADS TO THE STRUCTURE.
- PRODUCT ANCHORS SHALL BE AS LISTED AND SPACED AS SHOWN ON DETAILS. ANCHOR EMBLEMENT TO BASE MATERIAL SHALL BE BEYOND WALL DRESSING OR STUCCO.
- MIAMI-DADE APPROVED IMPACT RESISTANT SHUTTERS ARE REQUIRED.
- DESIGNED PRESSURE RATING SEE TABLE PAGE 1.
- SIDELITES ARE AN OPTION AND CAN BE IN A SINGLE OR DOUBLE CONFIGURATION.

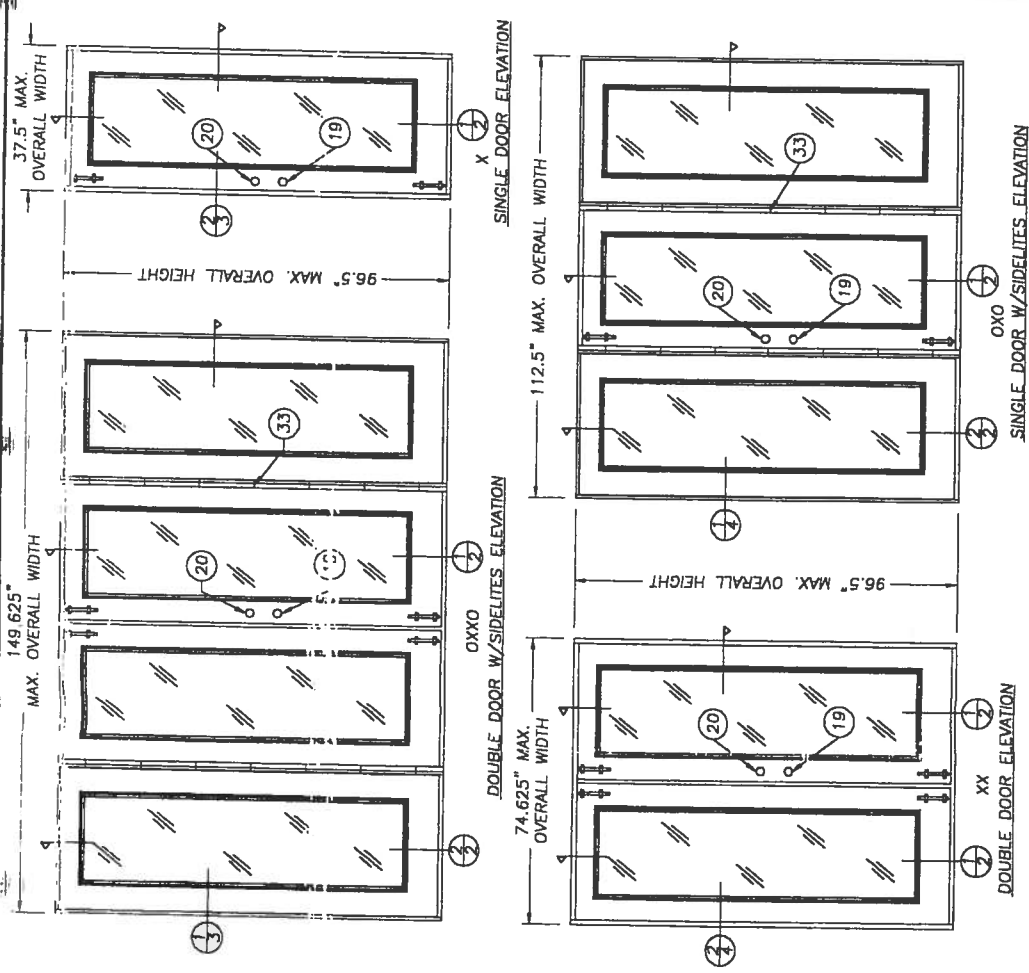
RESIDENTIAL INSULATED STEEL DOOR (Common to all frame conditions)

Door Leaf Construction:
Face sheels: 25 GA.(0.018") minimum thickness, Galvanized steel A-525 commercial quality - AKQQ per ASTM 620 with yield strength $F_y(\min.)=47,000$ psi
Core design: Polyurethane foam core, with 1.9 lbs. density by BASF.
Construction: Flush or embossed type. The vertical edges of the skin, are rolled formed to provide a mechanical interlock with finger jointed pine stiles.
Wood composite end rails are butt jointed to stiles at corners. Panels are sandwich glazed using a two piece PVC lite frame with mitered & welded corners.

TABLE OF CONTENTS

SHEET #	DESCRIPTION
1	COMMON (GENERAL NOTES, TYPICAL ELEVATION)
2	VERTICAL CROSS SECTIONS & BILL OF MATERIALS
3	HORIZONTAL CROSS SECTIONS & DOOR MODELS
4	HORIZONTAL CROSS SECTIONS & GLAZING DETAILS
5	ANCHORING LOCATIONS
6	ANCHORING LOCATIONS

DESIGN PRESSURE RATING	
WHERE WATER INFILTRATION REQUIREMENT IS NEEDED	
POSITIVE	+ 48.0 PSF
NEGATIVE	- 51.0 PSF



ALL DOOR MODELS ARE VIEWED FROM THE INTERIOR SIDE (OUTSWING DOORS)

PRODUCT RENEWED as complying with the Florida Building Code Acceptance No. 02-2-218101
 APPROVED AS COMPLYING WITH THE SOUTH FLORIDA BUILDING CODE DATE: APRIL 05, 2001
 BY: [Signature] L.Lawler
 PRODUCT CONTROL DIVISION BUILDING CODE COMPLIANCE OFFICE
 ACCEPTANCE NO. 02-2-218101

DATE: 3/3/00
 SCALE: N.T.S.
 DWG. BY: TJH
 CHK. BY: RW
 DRAWING NO.: S-2003
 SHEET 1 OF 6

THERMA-TRU®
 108 MUTZFELD RD.
 BUTLER, IN 46721
 PH. (219) 868-5811

NO.	DATE	GENERAL REVISION
2	3/09/01	GENERAL REVISION
1	4/11/00	GENERAL REVISION

REVISIONS

PRODUCT: THERMA TRU WOODEDGE OUTSWING UP TO 12'-0" x 8'-0" W/3'-0" SIDELITES

ELEVATIONS AND PART OR ASSEMBLY:

GENERAL NOTES

RW BUILDING CONSULTANTS, INC.
 813.884.3831

THERMA TRU®
 108 MUTZFELD RD.
 BUTLER, IN 46721
 PH. (219) 868-5811

NO.	DATE	REVISIONS
1	4/11/00	GENERAL REVISION
2	3/09/01	GENERAL REVISION

VERTICAL CROSS SECTIONS
 PART OR ASSEMBLY:
 THERMA TRU WOODEDGE
 OUTSWING UP TO 12.0"
 B-0 W/3-0 SIDELITES

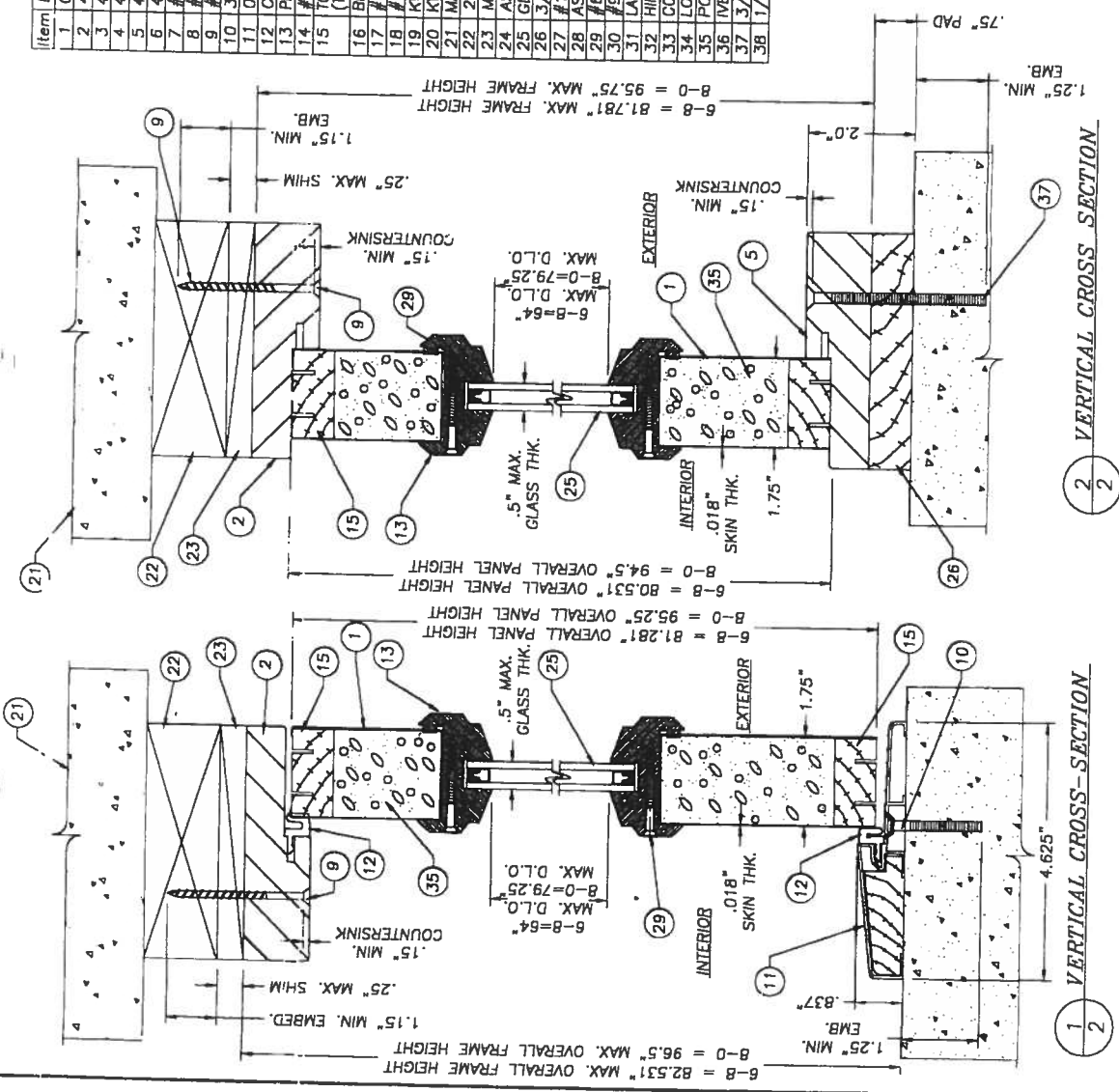
RW BUILDING CONSULTANTS, INC.
 813.664.3831

DATE: 3/3/00
 SCALE: N.T.S.
 DWG. BY: T/JH
 CHK. BY: RW
 DRAWING NO: S-2003
 SHEET 2 OF 6

Item	DESCRIPTION	Material
1	CONSTRUC. SERIES DOOR (25GA. .018" MIN.)	STEEL
2	1/2" HEADER (THERMA-TRU)	WOOD
3	4 1/2" LATCH JAMB (THERMA-TRU, PONDEROSA PINE)	WOOD
4	1/2" HINGE JAMB (THERMA-TRU, PONDEROSA PINE)	WOOD
5	4 1/2" BLANK JAMB (THERMA-TRU, PONDEROSA PINE)	WOOD
6	4" x 4" HINGE .097" THK. (THERMA-TRU)	STEEL
7	#9 x 3/4" LG. (Hinge to Frame)	STEEL
8	#10 WOOD SCREW X 2 1/2" LG.	STEEL
9	#8 x 2 1/2" LG. WOOD SCREW	STEEL
10	3/16" TAPCON ANCHOR (ELCO, 1.75" MIN. LG.)	STEEL
11	ONE PIECE BUMPS FACE THRESHOLD (THERMA-TRU)	ALUM./WOOD
12	COMPRESSION WEATHERSTRIP (THERMA-TRU)	WEATHERSTRIP
13	PLASTIC UP LITE FRAME (PVC, THERMA-TRU)	PVC
14	#10 x 1 1/4" LG. TYPE "A" FLATHEAD (THERMA-TRU, PONDEROSA PINE)	STEEL
15	TOP & BOTTOM RAIL (1.75" x 1.625")	WOOD
16	BLANK SIDE STYLE (THERMA-TRU, PONDEROSA PINE)	WOOD
17	#8 x 1/2" LG. TYPE "AB" PANHEAD	STEEL
18	#10 WOOD SCREW X 2" LG.	STEEL
19	KWIKSET 200 DL PASSAGE	STEEL
20	KWIKSET 660 DEADBOLT	STEEL
21	MASONRY WALL	MASONRY
22	2x WOOD BUCK	WOOD
23	MAX. 1/4" SHIM MATERIAL	WOOD
24	ASTRAGAL (.052" WALL THK.)	WOOD/ALUM.
25	GLAZING, 1/2" INSULATED TEMPERED GLASS	GLASS
26	3/4" THK. PRESSURE TREATED SIDELITE PAD	WOOD
27	#12 x 1/2" LG. PANHEAD SHEET METAL SCREW	STEEL
28	ASTRAGAL WEATHERSTRIP	VINYL
29	#6-18 x 1 3/4" PHILLIPS FLATHEAD SCREW	STEEL
30	#9 x 1" LG. PHILLIPS FLATHEAD SCREW	STEEL
31	LATCH SIDE STYLE (THERMA-TRU, PONDEROSA PINE)	WOOD
32	HINGE SIDE STYLE (THERMA-TRU, PONDEROSA PINE)	WOOD
33	CORRUGATED STAPLE FASTENER (1 1/2" x 3/4")	STEEL
34	LOCK BLOCK (4" x 11" x 1.625")	WOOD
35	POLYURETHANE FOAM (BASE, 1.91lb. DENSITY)	FOAM
36	IVES SURFACE BOLT (.25" STEEL)	STEEL
37	3/16" TAPCON ANCHOR (ELCO, 3.25" MIN. LG.)	STEEL
38	1/8" THK. CELLULAR GLAZING TAPE (STIK-II TAPE)	CELLULAR TAPE

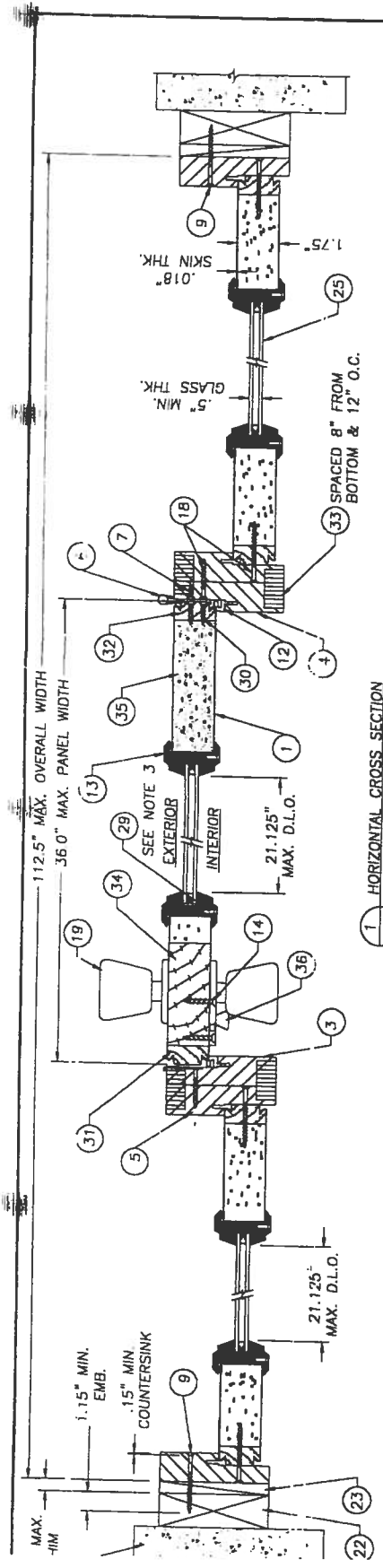
NOTE:
 SIDELITE IS DIRECT SET INTO JAMB WITH #10 x 2" PH.F.H. WOOD SCREWS AT 6" FROM EACH END AND A MAX. OF 12" O.C. ON VERTICAL LEG JAMBS ONLY.

APPROVED AS COMPLYING WITH THE SOUTH FLORIDA BUILDING CODE
 DATE: 08.11.03
 BY: [Signature]
 EXPIRES: 08.11.06
 PRODUCT CONTROL DIVISION
 BUILDING CODE COMPLIANCE OFFICE
 ACCEPTANCE NO. 00-0207-05

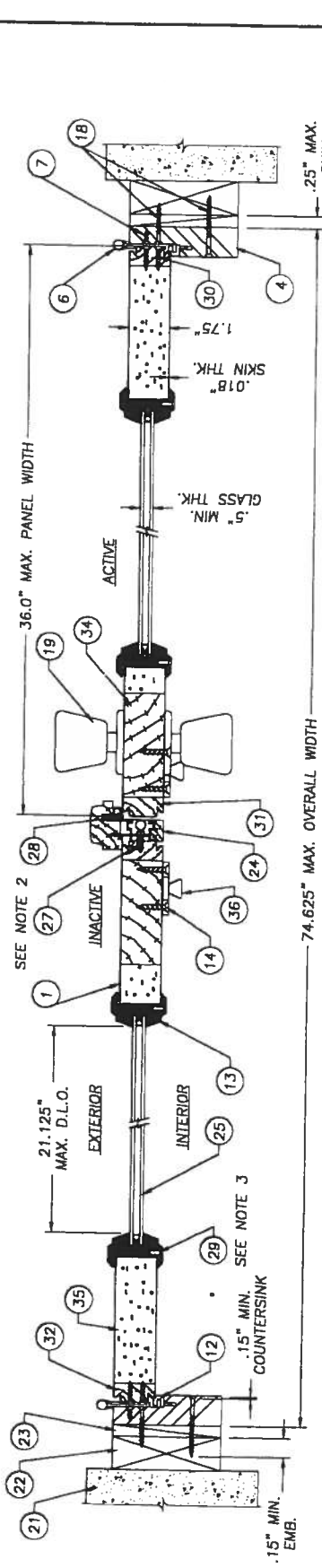


2 VERTICAL CROSS SECTION

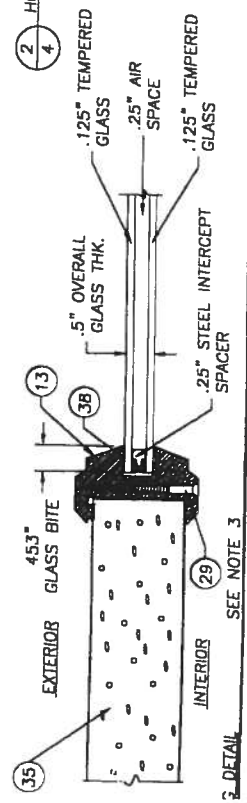
1 VERTICAL CROSS SECTION



1 HORIZONTAL CROSS SECTION SINGLE W/SIDELITES



2 HORIZONTAL CROSS SECTION DOUBLE



3 DETAIL SEE NOTE 3

- NOTE:
1. SIDELITE IS DIRECT SET INTO JAMB WITH #10 x 2" PH.F.H. WOOD SCREWS AT 6" O.C. ON VERTICAL LEG JAMBS ONLY.
 2. SPACING OF SCREW ITEM #27 IS AS FOLLOWS FOR BOTH 6-B AND 8-O MODELS: FROM THE BOTTOM UP AND THE TOP DOWN SPACING IS 1, 3, 5, 7, 10" & 10".
 3. SPACING OF SCREW ITEM #29 IS AS FOLLOWS FOR BOTH 6-B AND 8-O MODELS: FROM THE BOTTOM UP ON SIDES, 6.438" & (8-0) (7) MORE AT 9.893" & (6) MORE AT 9.21" O.C. TOP & BOTTOM, 3.219" FROM THE END IN & (3) MORE AT 5.896" O.C.

THERMA TRU® 108 MUTZFELD Rd. BUTLER, IN 46721 PH. (219) 868-5811		PRODUCT: THERMA TRU WOODEDGE OUTSWING UP TO 12-0 x 8-0 W/3-0 SIDELITES PART OR ASSEMBLY: HORIZONTAL CROSS SECTIONS & GLAZING DETAIL	REVISIONS <table border="1"> <tr> <th>NO.</th> <th>DATE</th> <th>BY</th> </tr> <tr> <td>2</td> <td>3/09/01</td> <td>GENERAL REVISION RW</td> </tr> <tr> <td>1</td> <td>4/11/00</td> <td>GENERAL REVISION TJH</td> </tr> </table>	NO.	DATE	BY	2	3/09/01	GENERAL REVISION RW	1	4/11/00	GENERAL REVISION TJH
NO.	DATE	BY										
2	3/09/01	GENERAL REVISION RW										
1	4/11/00	GENERAL REVISION TJH										
APPROVED AS COMPLYING WITH THE SOUTH FLORIDA BUILDING CODE DATE: 04/11/03 BY: [Signature]		PRODUCT CONTROL DIVISION BUILDING CODE COMPLIANCE OFFICE ACCEPTANCE NO. 00-0207-06	DATE: 3/3/00 SCALE: N.T.S. DWG. BY: TJH CHK. BY: RW DRAWING NO.: S 2003 SHEET 4 OF 6									

PH. (219) 868-5811
 108 MUTZFELD RD.
 BUTLER, IN 46721

TERMA TRU®

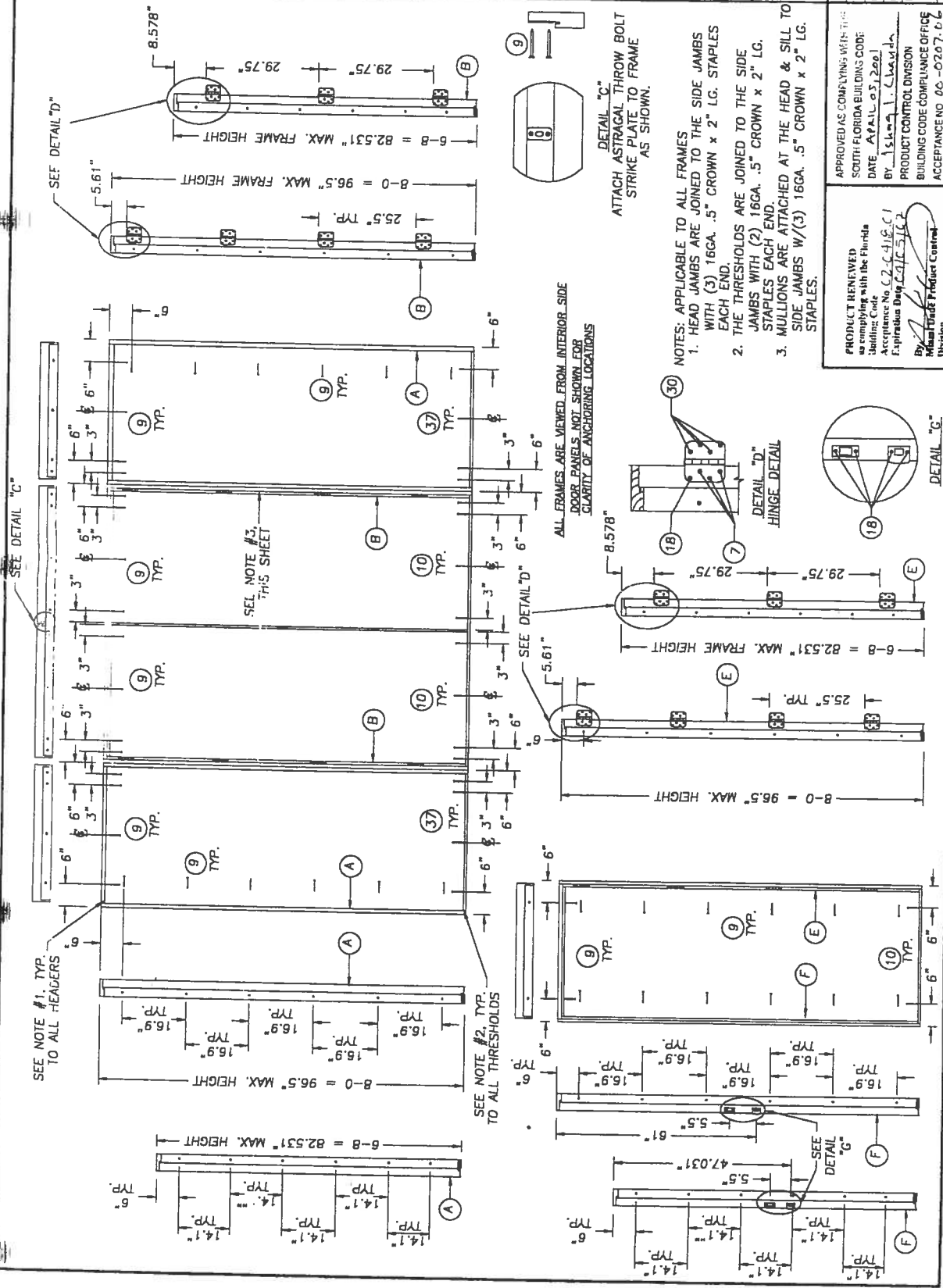
PRODUCT: THERMA TRU WOODEDGE
 OUTSWING UP TO 12-0 x
 8-0 W/3-0 SIDELITES
 PART OR ASSEMBLY:
 ANCHORING LAYOUTS

REVISIONS	
NO.	DATE
1	4/11/00
2	3/09/01
3	4/11/00

DATE: 3/2/00
 SCALE: N.T.S.
 OWC. BY: T.J.H.
 CHK. BY: RW
 DRAWING NO.: S-2003
 SHEET 5 OF 6

APPROVED AS COMPLYING WITH THE
 SOUTH FLORIDA BUILDING CODE
 DATE: APRIL 05, 2001
 BY: [Signature]
 PRODUCT CONTROL DIVISION
 BUILDING CODE COMPLIANCE OFFICE
 ACCEPTANCE NO. 00-0207-b-2

PRODUCT REVIEWED
 as complying with the Florida
 Building Code
 Acceptance No. C2-C418-C1
 Florida Building Code
 Division



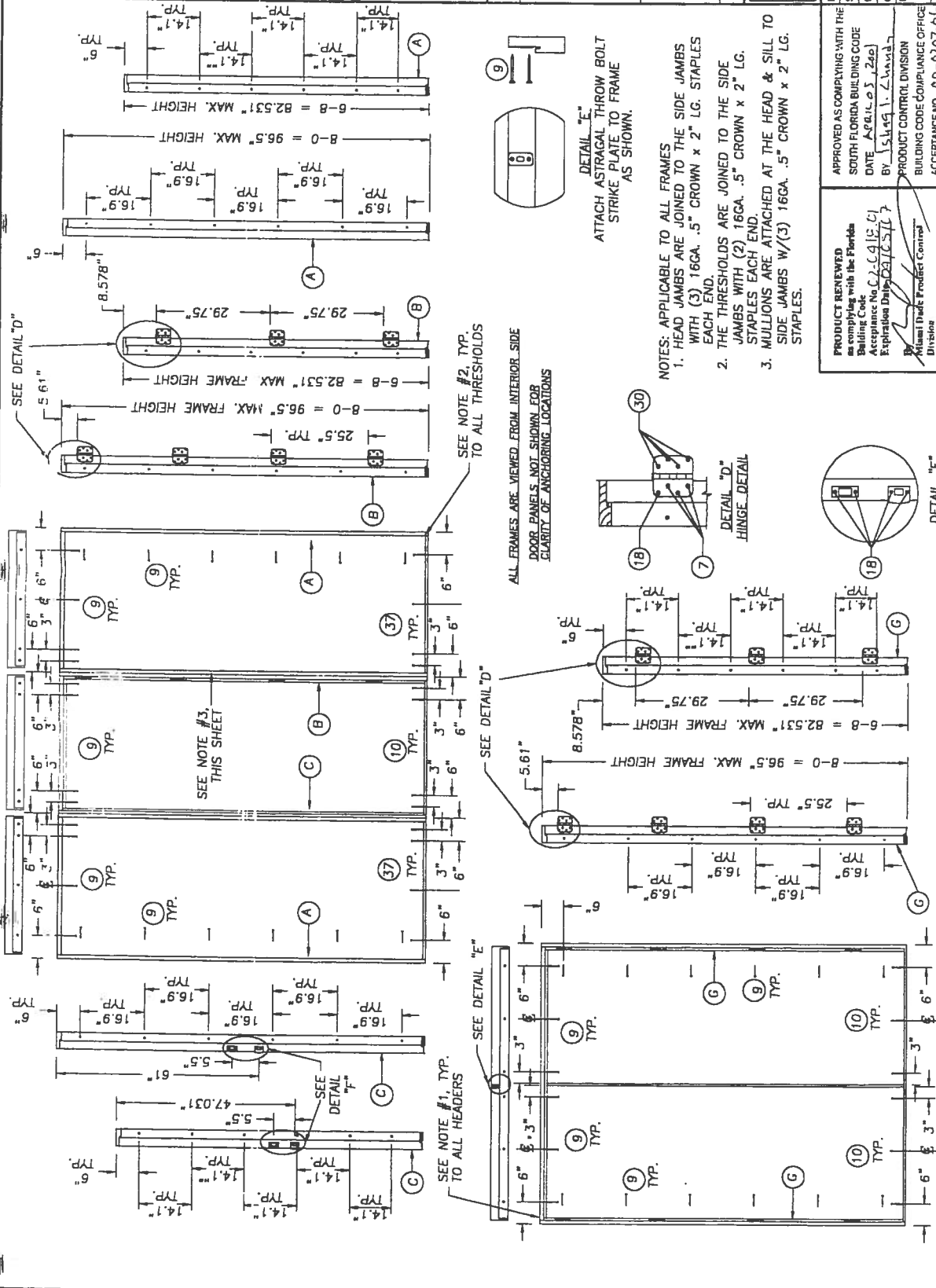
THERMAD TRU®
 108 MUTZFELD RD.
 BUTLER, IN 46721
 PH. (219) 868-5811

PRODUCT: THERMA TRU WOODGE
 OUTSWING UP TO 12-0 x
 B-0 W/3-0 SIDELITES
 PART OR ASSEMBLY:
 ANCHORING LAYOUTS

REVISIONS	
NO.	DATE
2	3/09/01
1	4/11/00

RW BUILDING CONSULTANTS, INC.
 813.684.3831

DATE: 3/2/00
 SCALE: N.T.S.
 DWG. BY: TJH
 CHK. BY: RW
 DRAWING NO.: S-2003
 SHEET 6 OF 6



APPROVED AS COMPLYING WITH THE SOUTH FLORIDA BUILDING CODE
 DATE: 4/24/03
 BY: [Signature]
 PRODUCT CONTROL DIVISION
 BUILDING CODE COMPLIANCE OFFICE
 ACCEPTANCE NO. 0-0-0207-01

PRODUCT RENEWED as complying with the Florida Building Code
 Acceptance No. C-2-C-018-C1
 Expiration Date: 03/31/17
 [Signature]
 Division

Summary Energy Code Results

Residential Whole Building Performance Method A

Project Title:
Cannon Creek - Lot#15

Code Only
Professional Version
Climate: North

11/8/2007

Building Loads			
Base		As-Built	
Summer:	19217 points	Summer:	16588 points
Winter:	16205 points	Winter:	14389 points
Hot Water:	7273 points	Hot Water:	7273 points
Total:	42694 points	Total:	38249 points

Energy Use			
Base		As-Built	
Cooling:	6245 points	Cooling:	4063 points
Heating:	8977 points	Heating:	5962 points
Hot Water:	7905 points	Hot Water:	7737 points
Total:	23128 points	Total:	17761 points

<p>PASS e-Ratio: 0.77</p>

Location: _____

Project Name: _____

As required by Florida Statute 553.842 and Florida Administrative Code 9B-72, please provide the information and the product approval number(s) on the building components listed below if they will be utilized on the construction project for which you are applying for a building permit on or after April 1, 2004. We recommend you contact your local product supplier should you not know the product approval number for any of the applicable listed products. More information about statewide product approval can be obtained at www.floridabuilding.org

Category/Subcategory	Manufacturer	Product Description	Approval Number(s)
A. EXTERIOR DOORS			FL 4242.1
1. Swinging			
2. Sliding			
3. Sectional			
4. Roll up			
5. Automatic			
6. Other			
B. WINDOWS			FL 6029.7
1. Single hung			
2. Horizontal Slider			
3. Casement			
4. Double Hung			
5. Fixed			
6. Awning			
7. Pass-through			
8. Projected			
9. Mullion			
10. Wind Breaker			
11. Dual Action			
12. Other			
C. PANEL WALL			FL 889-122
1. Siding			
2. Soffits			
3. EIFS			
4. Storefronts			
5. Curtain walls			
6. Wall louver			
7. Glass block			
8. Membrane			
9. Greenhouse			
10. Other			
D. ROOFING PRODUCTS			723.4 184.3
1. Asphalt Shingles			
2. Underlayments			
3. Roofing Fasteners			
4. Non-structural Metal Rf			
5. Built-Up Roofing			
6. Modified Bitumen			
7. Single Ply Roofing Sys			
8. Roofing Tiles			
9. Roofing Insulation			
10. Waterproofing			
11. Wood shingles /shakes			
12. Roofing Slate			