



VERIZON SITE NUMBER: 228807
VERIZON SITE NAME: COMMERCE
SITE TYPE: GUYED
TOWER HEIGHT: 185'-6"

BUSINESS UNIT #: 846219
SITE ADDRESS: 682 SOUTHWEST COMMERCE DRIVE
LAKE CITY, FL 32025
COUNTY: COLUMBIA
JURISDICTION: COLUMBIA COUNTY

VERIZON SUB 6-GHZ

verizon
 7701 EAST TELECOM PARKWAY WING A-1
 TEMPLE TERRACE, FL 33637

CROWN CASTLE
 8000 AVALON BLVD, SUITE 700
 ALPHARETTA, GA 30009

towersource
 1080 HOLCOMB BRIDGE ROAD
 BUILDING 100, SUITE 350
 ROSWELL, GA 30076
 TEL: 678-990-2338 FAX: 678-990-2342

VERIZON SITE NUMBER: 228807
BU #: 846219
FAIRGROUNDS
 682 SOUTHWEST COMMERCE DRIVE
 LAKE CITY, FL 32025
 EXISTING 185'-6" GUYED

ISSUED FOR:

REV	DATE	DRWN	DESCRIPTION	DES/QA
0	02/04/22	SIH	FINAL	MDS



THIS ITEM HAS BEEN DIGITALLY SIGNED AND SEALED BY JAVAD K. PARSA, P.E. ON THE DATE ADJACENT TO THE SEAL. PRINTED COPIES OF THIS DOCUMENT ARE NOT CONSIDERED SIGNED AND SEALED AND THE SIGNATURE MUST BE VERIFIED ON ANY ELECTRONIC COPIES.
 IT IS A VIOLATION OF LAW FOR ANY PERSON, UNLESS THEY ARE ACTING UNDER THE DIRECTION OF A LICENSED PROFESSIONAL ENGINEER, TO ALTER THIS DOCUMENT.

SHEET NUMBER: T-1 **REVISION: 0**

SITE INFORMATION

CROWN CASTLE USA INC. FAIRGROUNDS
 SITE NAME:
 SITE ADDRESS: 682 SOUTHWEST COMMERCE DRIVE LAKE CITY, FL 32025
 COUNTY: COLUMBIA
 MAP/PARCEL #: 02-4S-16-02717-000
 AREA OF CONSTRUCTION: EXISTING
 LATITUDE: 30° 10' 26.43"
 LONGITUDE: -82° 40' 49.87"
 LAT/LONG TYPE: NAD83
 GROUND ELEVATION: ---
 CURRENT ZONING: ---
 JURISDICTION: COLUMBIA COUNTY
 OCCUPANCY CLASSIFICATION: U
 TYPE OF CONSTRUCTION: IIB
 A.D.A. COMPLIANCE: FACILITY IS UNMANNED AND NOT FOR HUMAN HABITATION
 PROPERTY OWNER: COLUMBIA COUNTY RESOURCE, INC. P.O. BOX 1376 LAKE CITY, FL 32056
 TOWER OWNER: CROWN CASTLE 2000 CORPORATE DRIVE CANONSBURG, PA 15317
 CARRIER/APPLICANT: VERIZON WIRELESS 7701 EAST TELECOM PARKWAY WING A-1 TEMPLE TERRACE, FL 33637
 ELECTRIC PROVIDER: ---
 TELCO PROVIDER: ---

DRAWING INDEX

SHEET #	SHEET DESCRIPTION
T-1	TITLE SHEET
T-2	GENERAL NOTES
C-1.1	SITE PLAN
C-1.2	EQUIPMENT PLAN
C-2	TOWER ELEVATION & ANTENNA PLANS
C-3	EQUIPMENT SCHEDULE
C-4	EQUIPMENT SPECS
C-5	EQUIPMENT SPECS
G-1	GROUNDING DETAILS
G-2	GROUNDING DETAILS
E-1	ONE-LINE DIAGRAM/PANEL SCHEDULE

ALL DRAWINGS CONTAINED HEREIN ARE FORMATTED FOR 11X17. CONTRACTOR SHALL VERIFY ALL PLANS AND EXISTING DIMENSIONS AND CONDITIONS ON THE JOB SITE AND SHALL IMMEDIATELY NOTIFY THE ENGINEER IN WRITING OF ANY DISCREPANCIES BEFORE PROCEEDING WITH THE WORK OR BE RESPONSIBLE FOR SAME.

PROJECT DESCRIPTION

THE PURPOSE OF THIS PROJECT IS TO ENHANCE BROADBAND CONNECTIVITY AND CAPACITY TO THE EXISTING ELIGIBLE WIRELESS FACILITY.

TOWER SCOPE OF WORK

- REMOVE (3) ANTENNAS
- REMOVE (3) RRU's
- INSTALL (9) ANTENNAS
- INSTALL (6) RRU's
- INSTALL (1) OVP
- INSTALL (1) 1-5/8" HYBRID CABLE
- INSTALL (6) SITEPRO1 CLAMPS
- RELOCATE (3) EXISTING TIE BACK CONNECTIONS TO MOUNT AND TOWER

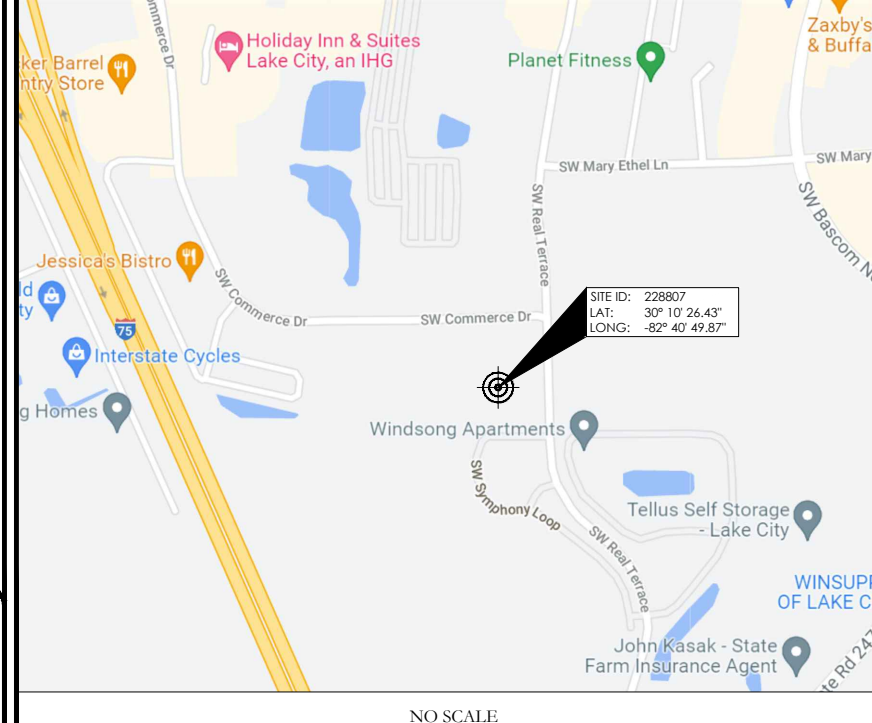
GROUND SCOPE OF WORK

- REMOVE (1) 6201 CABINET
- REMOVE (1) CDMA CABINET
- REMOVE EXISTING BATTERIES
- INSTALL (1) -48 STRING OF EAST PENN AVR 95-21 BATTERIES OR EQUIVALENT
- INSTALL (1) -48 DC PLANT
- REMOVE (12) RRU's
- REMOVE (1) ATS
- INSTALL (1) ILC
- REMOVE (1) 35 kW GENERATOR
- INSTALL (1) 50 kW GENERATOR

NOTES:

- CONTRACTOR TO CONFIRM LATEST RFDS VERSION WITH VERIZON PRIOR TO WORK COMMENCEMENT.
- PRIOR TO ACCESSING/ENTERING THE SITE YOU MUST CONTACT THE CROWN NOC AT (800) 788-7011 & CROWN CONSTRUCTION MANAGER

LOCATION MAP



CONTRACTOR PMI REQUIREMENTS

PMI ACCESSED AT <https://pmi.vxwsmart.com>
 SMART TOOL VENDOR
 PROJECT NUMBER 10097854
 VzW LOCATION CODE (PSLC) 228807

*** PMI AND REQUIREMENTS ALSO EMBEDDED IN MOUNT ANALYSIS REPORT

MOUNT MODIFICATION REQUIRED **Y**

VzW APPROVED SMART KIT VENDORS

REFER TO MOUNT MODIFICATION DRAWINGS PAGE FOR VzW SMART KIT APPROVED VENDORS

APPLICABLE CODES/REFERENCE DOCUMENTS

ALL WORK SHALL BE PERFORMED AND MATERIALS INSTALLED IN ACCORDANCE WITH THE CURRENT EDITIONS OF THE FOLLOWING CODES AS ADOPTED BY THE LOCAL GOVERNING AUTHORITIES. NOTHING IN THESE PLANS IS TO BE CONSTRUED TO PERMIT WORK NOT CONFORMING TO THESE CODES:

CODE TYPE	CODE
BUILDING	2020 FLORIDA BUILDING CODE, 7th EDITION
MECHANICAL	2018 IMC
ELECTRICAL	2017 NEC

ANALYSIS CRITERIA:

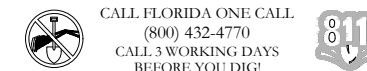
APPLICABLE CODES: TIA-222-H / ASCE 7-16
 WIND SPEED: V = 118 MPH (ULTIMATE 3 SECOND GUST)
 EXPOSURE CATEGORY: C
 RISK CATEGORY: II
 TOPOGRAPHIC CATEGORY: 1
 CREST HEIGHT: 0
 $K_{zt} = 1.0$
 SEISMIC RESPONSE: NA

REFERENCE DOCUMENTS:

STRUCTURAL ANALYSIS: BY OTHERS
 DATED:
 MOUNT ANALYSIS: PAUL J. FORD & COMPANY
 DATED: 09/01/21
 RFDS REVISION: ---
 DATED: 08/11/21
 ORDER ID: 567455
 REVISION: 1

PROJECT TEAM

A&E FIRM: CROWN CASTLE USA INC. 2000 CORPORATE DRIVE CANONSBURG, PA 15317 CROWN.AE.APPROVAL@CROWNCastle.COM
 CROWN CASTLE USA INC. DISTRICT CONTACTS: 8000 AVALON BLVD, SUITE 700 ALPHARETTA, GA 30009
 DEREK SMITH - PROJECT MANAGER (561) 544-4972



CROWN CASTLE USA INC. SITE ACTIVITY REQUIREMENTS:

- NOTICE TO PROCEED- NO WORK SHALL COMMENCE PRIOR TO CROWN CASTLE USA INC. WRITTEN NOTICE TO PROCEED (NTP) AND THE ISSUANCE OF A PURCHASE ORDER. PRIOR TO ACCESSING/ENTERING THE SITE YOU MUST CONTACT THE CROWN CASTLE USA INC. NOC AT 800-788-7011 & THE CROWN CASTLE USA INC. CONSTRUCTION MANAGER.
- "LOOK UP" - CROWN CASTLE USA INC. SAFETY CLIMB REQUIREMENT: THE INTEGRITY OF THE SAFETY CLIMB AND ALL COMPONENTS OF THE CLIMBING FACILITY SHALL BE CONSIDERED DURING ALL STAGES OF DESIGN, INSTALLATION, AND INSPECTION. TOWER MODIFICATION, MOUNT REINFORCEMENTS, AND/OR EQUIPMENT INSTALLATIONS SHALL NOT COMPROMISE THE INTEGRITY OR FUNCTIONAL USE OF THE SAFETY CLIMB OR ANY COMPONENTS OF THE CLIMBING FACILITY ON THE STRUCTURE. THIS SHALL INCLUDE, BUT NOT BE LIMITED TO: PINCHING OF THE WIRE ROPE, BENDING OF THE WIRE ROPE FROM ITS SUPPORTS, DIRECT CONTACT OR CLOSE PROXIMITY TO THE WIRE ROPE WHICH MAY CAUSE FRICTIONAL WEAR, IMPACT TO THE ANCHORAGE POINTS IN ANY WAY, OR TO IMPEDE/BLOCK ITS INTENDED USE. ANY COMPROMISED SAFETY CLIMB, INCLUDING EXISTING CONDITIONS MUST BE TAGGED OUT AND REPORTED TO YOUR CROWN CASTLE USA INC. POC OR CALL THE NOC TO GENERATE A SAFETY CLIMB MAINTENANCE AND CONTRACTOR NOTICE TICKET.
- PRIOR TO THE START OF CONSTRUCTION, ALL REQUIRED JURISDICTIONAL PERMITS SHALL BE OBTAINED. THIS INCLUDES, BUT IS NOT LIMITED TO, BUILDING, ELECTRICAL, MECHANICAL, FIRE, FLOOD ZONE, ENVIRONMENTAL, AND ZONING. AFTER ONSITE ACTIVITIES AND CONSTRUCTION ARE COMPLETED, ALL REQUIRED PERMITS SHALL BE SATISFIED AND CLOSED OUT ACCORDING TO LOCAL JURISDICTIONAL REQUIREMENTS.
- ALL CONSTRUCTION MEANS AND METHODS; INCLUDING BUT NOT LIMITED TO, ERECTION PLANS, RIGGING PLANS, CLIMBING PLANS, AND RESCUE PLANS SHALL BE THE RESPONSIBILITY OF THE GENERAL CONTRACTOR RESPONSIBLE FOR THE EXECUTION OF THE WORK CONTAINED HEREIN, AND SHALL MEET ANSI/ASSE A10.48 (LATEST EDITION); FEDERAL, STATE, AND LOCAL REGULATIONS; AND ANY APPLICABLE INDUSTRY CONSENSUS STANDARDS RELATED TO THE CONSTRUCTION ACTIVITIES BEING PERFORMED. ALL RIGGING PLANS SHALL ADHERE TO ANSI/ASSE A10.48 (LATEST EDITION) AND CROWN CASTLE USA INC. STANDARD CED-STD-10253, INCLUDING THE REQUIRED INVOLVEMENT OF A QUALIFIED ENGINEER FOR CLASS IV CONSTRUCTION, TO CERTIFY THE SUPPORTING STRUCTURE(S) IN ACCORDANCE WITH ANSI/TIA-322 (LATEST EDITION).
- ALL SITE WORK TO COMPLY WITH QAS-STD-10068 "INSTALLATION STANDARDS FOR CONSTRUCTION ACTIVITIES ON CROWN CASTLE USA INC. TOWER SITE," CED-STD-10294 "STANDARD FOR INSTALLATION OF MOUNTS AND APPURTENANCES," AND LATEST VERSION OF ANSI/TIA-1019-A-2012 "STANDARD FOR INSTALLATION, ALTERATION, AND MAINTENANCE OF ANTENNA SUPPORTING STRUCTURES AND ANTENNAS." IF THE SPECIFIED EQUIPMENT CAN NOT BE INSTALLED AS SHOWN ON THESE DRAWINGS, THE CONTRACTOR SHALL PROPOSE AN ALTERNATIVE INSTALLATION FOR APPROVAL BY CROWN CASTLE USA INC. PRIOR TO PROCEEDING WITH ANY SUCH CHANGE OF INSTALLATION.
- ALL MATERIALS FURNISHED AND INSTALLED SHALL BE IN STRICT ACCORDANCE WITH ALL APPLICABLE CODES, REGULATIONS AND ORDINANCES. CONTRACTOR SHALL ISSUE ALL APPROPRIATE NOTICES AND COMPLY WITH ALL LAWS, ORDINANCES, RULES, REGULATIONS AND LAWFUL ORDERS OF ANY PUBLIC AUTHORITY REGARDING THE PERFORMANCE OF THE WORK. ALL WORK CARRIED OUT SHALL COMPLY WITH ALL APPLICABLE MUNICIPAL AND UTILITY COMPANY SPECIFICATIONS AND LOCAL JURISDICTIONAL CODES, ORDINANCES AND APPLICABLE REGULATIONS.
- THE CONTRACTOR SHALL INSTALL ALL EQUIPMENT AND MATERIALS IN ACCORDANCE WITH MANUFACTURER'S RECOMMENDATIONS UNLESS SPECIFICALLY STATED OTHERWISE.
- THE CONTRACTOR SHALL CONTACT UTILITY LOCATING SERVICES PRIOR TO THE START OF CONSTRUCTION.
- ALL EXISTING ACTIVE SEWER, WATER, GAS, ELECTRIC AND OTHER UTILITIES WHERE ENCOUNTERED IN THE WORK, SHALL BE PROTECTED AT ALL TIMES AND WHERE REQUIRED FOR THE PROPER EXECUTION OF THE WORK, SHALL BE RELOCATED AS DIRECTED BY CONTRACTOR. EXTREME CAUTION SHOULD BE USED BY THE CONTRACTOR WHEN EXCAVATING OR DRILLING PIERS AROUND OR NEAR UTILITIES. CONTRACTOR SHALL PROVIDE SAFETY TRAINING FOR THE WORKING CREW. THIS WILL INCLUDE BUT NOT BE LIMITED TO A) FALL PROTECTION B) CONFINED SPACE C) ELECTRICAL SAFETY D) TRENCHING AND EXCAVATION E) CONSTRUCTION SAFETY PROCEDURES.
- ALL SITE WORK SHALL BE AS INDICATED ON THE STAMPED CONSTRUCTION DRAWINGS AND PROJECT SPECIFICATIONS. LATEST APPROVED REVISION.
- CONTRACTOR SHALL KEEP THE SITE FREE FROM ACCUMULATING WASTE MATERIAL, DEBRIS, AND TRASH AT THE COMPLETION OF THE WORK. IF NECESSARY, RUBBISH, STUMPS, DEBRIS, STICKS, STONES AND OTHER REFUSE SHALL BE REMOVED FROM THE SITE AND DISPOSED OF LEGALLY.
- ALL EXISTING INACTIVE SEWER, WATER, GAS, ELECTRIC AND OTHER UTILITIES, WHICH INTERFERE WITH THE EXECUTION OF THE WORK, SHALL BE REMOVED AND/OR CAPPED, PLUGGED OR OTHERWISE DISCONTINUED AT POINTS WHICH WILL NOT INTERFERE WITH THE EXECUTION OF THE WORK, SUBJECT TO THE APPROVAL OF CONTRACTOR, TOWER OWNER, CROWN CASTLE USA INC., AND/OR LOCAL UTILITIES.
- THE CONTRACTOR SHALL PROVIDE SITE SIGNAGE IN ACCORDANCE WITH THE TECHNICAL SPECIFICATION FOR SITE SIGNAGE REQUIRED BY LOCAL JURISDICTION AND SIGNAGE REQUIRED ON INDIVIDUAL PIECES OF EQUIPMENT, ROOMS, AND SHELTERS.
- THE SITE SHALL BE GRADED TO CAUSE SURFACE WATER TO FLOW AWAY FROM THE CARRIER'S EQUIPMENT AND TOWER AREAS.
- THE SUB GRADE SHALL BE COMPACTED AND BROUGHT TO A SMOOTH UNIFORM GRADE PRIOR TO FINISHED SURFACE APPLICATION.
- THE AREAS OF THE OWNERS PROPERTY DISTURBED BY THE WORK AND NOT COVERED BY THE TOWER, EQUIPMENT OR DRIVEWAY, SHALL BE GRADED TO A UNIFORM SLOPE, AND STABILIZED TO PREVENT EROSION AS SPECIFIED ON THE CONSTRUCTION DRAWINGS AND/OR PROJECT SPECIFICATIONS.
- CONTRACTOR SHALL MINIMIZE DISTURBANCE TO EXISTING SITE DURING CONSTRUCTION. EROSION CONTROL MEASURES, IF REQUIRED DURING CONSTRUCTION, SHALL BE IN CONFORMANCE WITH THE LOCAL GUIDELINES FOR EROSION AND SEDIMENT CONTROL.
- THE CONTRACTOR SHALL PROTECT EXISTING IMPROVEMENTS, PAVEMENTS, CURBS, LANDSCAPING AND STRUCTURES. ANY DAMAGED PART SHALL BE REPAIRED AT CONTRACTOR'S EXPENSE TO THE SATISFACTION OF OWNER.
- CONTRACTOR SHALL LEGALLY AND PROPERLY DISPOSE OF ALL SCRAP MATERIALS SUCH AS COAXIAL CABLES AND OTHER ITEMS REMOVED FROM THE EXISTING FACILITY. ANTENNAS REMOVED SHALL BE RETURNED TO THE OWNER'S DESIGNATED LOCATION.
- CONTRACTOR SHALL LEAVE PREMISES IN CLEAN CONDITION. TRASH AND DEBRIS SHOULD BE REMOVED FROM SITE ON A DAILY BASIS.
- NO FILL OR EMBANKMENT MATERIAL SHALL BE PLACED ON FROZEN GROUND. FROZEN MATERIALS, SNOW OR ICE SHALL NOT BE PLACED IN ANY FILL OR EMBANKMENT.

GREENFIELD GROUNDING NOTES:

- ALL GROUND ELECTRODE SYSTEMS (INCLUDING TELECOMMUNICATION, RADIO, LIGHTNING PROTECTION AND AC POWER GES'S) SHALL BE BONDED TOGETHER AT OR BELOW GRADE, BY TWO OR MORE COPPER BONDING CONDUCTORS IN ACCORDANCE WITH THE NEC.
- THE CONTRACTOR SHALL PERFORM IEEE FALL-OFF-POTENTIAL RESISTANCE TO EARTH TESTING (PER IEEE 1100 AND 81) FOR GROUND ELECTRODE SYSTEMS, THE CONTRACTOR SHALL FURNISH AND INSTALL SUPPLEMENTAL GROUND ELECTRODES AS NEEDED TO ACHIEVE A TEST RESULT OF 5 OHMS OR LESS.
- THE CONTRACTOR IS RESPONSIBLE FOR PROPERLY SEQUENCING GROUNDING AND UNDERGROUND CONDUIT INSTALLATION AS TO PREVENT ANY LOSS OF CONTINUITY IN THE GROUNDING SYSTEM OR DAMAGE TO THE CONDUIT AND PROVIDE TESTING RESULTS.
- METAL CONDUIT AND TRAY SHALL BE GROUNDED AND MADE ELECTRICALLY CONTINUOUS WITH LISTED BONDING FITTINGS OR BY BONDING ACROSS THE DISCONTINUITY WITH #6 COPPER WIRE UL APPROVED GROUNDING TYPE CONDUIT CLAMPS.
- METAL RACEWAY SHALL NOT BE USED AS THE NEC REQUIRED EQUIPMENT GROUND CONDUCTOR. STRANDED COPPER CONDUCTORS WITH GREEN INSULATION, SIZED IN ACCORDANCE WITH THE NEC, SHALL BE FURNISHED AND INSTALLED WITH THE POWER CIRCUITS TO BTS EQUIPMENT.
- EACH CABINET FRAME SHALL BE DIRECTLY CONNECTED TO THE MASTER GROUND BAR WITH GREEN INSULATED SUPPLEMENTAL EQUIPMENT GROUND WIRES, #6 STRANDED COPPER OR LARGER FOR INDOOR BTS; #2 BARE SOLID TINNED COPPER FOR OUTDOOR BTS.
- CONNECTIONS TO THE GROUND BUS SHALL NOT BE DOUBLED UP OR STACKED BACK TO BACK CONNECTIONS ON OPPOSITE SIDE OF THE GROUND BUS ARE PERMITTED.
- ALL EXTERIOR GROUND CONDUCTORS BETWEEN EQUIPMENT/GROUND BARS AND THE GROUND RING SHALL BE #2 SOLID TINNED COPPER UNLESS OTHERWISE INDICATED.
- ALUMINUM CONDUCTOR OR COPPER CLAD STEEL CONDUCTOR SHALL NOT BE USED FOR GROUNDING CONNECTIONS.
- USE OF 90° BENDS IN THE PROTECTION GROUNDING CONDUCTORS SHALL BE AVOIDED WHEN 45° BENDS CAN BE ADEQUATELY SUPPORTED.
- EXOTHERMIC WELDS SHALL BE USED FOR ALL GROUNDING CONNECTIONS BELOW GRADE.
- ALL GROUND CONNECTIONS ABOVE GRADE (INTERIOR AND EXTERIOR) SHALL BE FORMED USING HIGH PRESS CRIMPS.
- COMPRESSION GROUND CONNECTIONS MAY BE REPLACED BY EXOTHERMIC WELD CONNECTIONS.
- ICE BRIDGE BONDING CONDUCTORS SHALL BE EXOTHERMICALLY BONDED OR BOLTED TO THE BRIDGE AND THE TOWER GROUND BAR.
- APPROVED ANTI-OXIDANT COATINGS (i.e. CONDUCTIVE GEL OR PASTE) SHALL BE USED ON ALL COMPRESSION AND BOLTED GROUND CONNECTIONS.
- ALL EXTERIOR GROUND CONNECTIONS SHALL BE COATED WITH A CORROSION RESISTANT MATERIAL.
- MISCELLANEOUS ELECTRICAL AND NON-ELECTRICAL METAL BOXES, FRAMES AND SUPPORTS SHALL BE BONDED TO THE GROUND RING, IN ACCORDANCE WITH THE NEC.
- BOND ALL METALLIC OBJECTS WITHIN 6 FT. OF MAIN GROUND RING WITH (1) #2 BARE SOLID TINNED COPPER GROUND CONDUCTOR.
- GROUND CONDUCTORS USED FOR THE FACILITY GROUNDING AND LIGHTNING PROTECTION SYSTEMS SHALL NOT BE ROUTED THROUGH METALLIC OBJECTS THAT FORM A RING AROUND THE CONDUCTOR, SUCH AS METALLIC CONDUITS, METAL SUPPORT CLIPS OR SLEEVES THROUGH WALLS OR FLOORS. WHEN IT IS REQUIRED TO BE HOUSED IN CONDUIT TO MEET CODE REQUIREMENTS OR LOCAL CONDITIONS, NON-METALLIC MATERIAL SUCH AS PVC CONDUIT SHALL BE USED. WHERE USE OF METAL CONDUIT IS UNAVOIDABLE (i.e., NONMETALLIC CONDUIT PROHIBITED BY LOCAL CODE) THE GROUND CONDUCTOR SHALL BE BONDED TO EACH END OF THE METAL CONDUIT.
- ALL GROUNDS THAT TRANSITION FROM BELOW GRADE TO ABOVE GRADE MUST BE #2 BARE SOLID TINNED COPPER IN 3/4" NON-METALLIC, FLEXIBLE CONDUIT FROM 24" BELOW GRADE TO WITHIN 3" TO 6" OF CAD-WELD TERMINATION POINT. THE EXPOSED END OF THE CONDUIT MUST BE SEALED WITH SILICONE CAULK. (ADD TRANSITIONING GROUND STANDARD DETAIL AS WELL).
- BUILDINGS WHERE THE MAIN GROUNDING CONDUCTORS ARE REQUIRED TO BE ROUTED TO GRADE, THE CONTRACTOR SHALL ROUTE TWO GROUNDING CONDUCTORS FROM THE ROOFTOP, TOWERS, AND WATER TOWERS GROUNDING RING, TO THE EXISTING GROUNDING SYSTEM, THE GROUNDING CONDUCTORS SHALL NOT BE SMALLER THAN 2/0 COPPER. ROOFTOP GROUNDING RING SHALL BE BONDED TO THE EXISTING GROUNDING SYSTEM, THE BUILDING STEEL COLUMNS, LIGHTNING PROTECTION SYSTEM, AND BUILDING MAIN WATER LINE (FERROUS OR NONFERROUS METAL PIPING ONLY).

GENERAL NOTES:

- FOR THE PURPOSE OF CONSTRUCTION DRAWING, THE FOLLOWING DEFINITIONS SHALL APPLY:
CONTRACTOR: GENERAL CONTRACTOR RESPONSIBLE FOR CONSTRUCTION
CARRIER: VERIZON
TOWER OWNER: CROWN CASTLE USA INC.
- THESE DRAWINGS HAVE BEEN PREPARED USING STANDARDS OF PROFESSIONAL CARE AND COMPLETENESS NORMALLY EXERCISED UNDER SIMILAR CIRCUMSTANCES BY REPUTABLE ENGINEERS IN THIS OR SIMILAR LOCALITIES. IT IS ASSUMED THAT THE WORK DEPICTED WILL BE PERFORMED BY AN EXPERIENCED CONTRACTOR AND/OR WORKPEOPLE WHO HAVE A WORKING KNOWLEDGE OF THE APPLICABLE CODE STANDARDS AND REQUIREMENTS AND OF INDUSTRY ACCEPTED STANDARD GOOD PRACTICE. AS NOT EVERY CONDITION OR ELEMENT IS (OR CAN BE) EXPLICITLY SHOWN ON THESE DRAWINGS, THE CONTRACTOR SHALL USE INDUSTRY ACCEPTED STANDARD GOOD PRACTICE FOR MISCELLANEOUS WORK NOT EXPLICITLY SHOWN.
- THESE DRAWINGS REPRESENT THE FINISHED STRUCTURE. THEY DO NOT INDICATE THE MEANS OR METHODS OF CONSTRUCTION. THE CONTRACTOR SHALL BE SOLELY RESPONSIBLE FOR THE CONSTRUCTION MEANS, METHODS, TECHNIQUES, SEQUENCES, AND PROCEDURES. THE CONTRACTOR SHALL PROVIDE ALL MEASURES NECESSARY FOR PROTECTION OF LIFE AND PROPERTY DURING CONSTRUCTION. SUCH MEASURES SHALL INCLUDE, BUT NOT BE LIMITED TO, BRACING, FORMWORK, SHORING, ETC. SITE VISITS BY THE ENGINEER OR HIS REPRESENTATIVE WILL NOT INCLUDE INSPECTION OF THESE ITEMS AND IS FOR STRUCTURAL OBSERVATION OF THE FINISHED STRUCTURE ONLY.
- NOTES AND DETAILS IN THE CONSTRUCTION DRAWINGS SHALL TAKE PRECEDENCE OVER GENERAL NOTES AND TYPICAL DETAILS; WHERE NO DETAILS ARE SHOWN, CONSTRUCTION SHALL CONFORM TO SIMILAR WORK ON THE PROJECT, AND/OR AS PROVIDED FOR IN THE CONTRACT DOCUMENTS. WHERE DISCREPANCIES OCCUR BETWEEN PLANS, DETAILS, GENERAL NOTES, AND SPECIFICATIONS, THE GREATER, MORE STRICT REQUIREMENTS, SHALL GOVERN. IF FURTHER CLARIFICATION IS REQUIRED CONTACT THE ENGINEER OF RECORD.
- SUBSTANTIAL EFFORT HAS BEEN MADE TO PROVIDE ACCURATE DIMENSIONS AND MEASUREMENTS ON THE DRAWINGS TO ASSIST IN THE FABRICATION AND/OR PLACEMENT OF CONSTRUCTION ELEMENTS BUT IT IS THE SOLE RESPONSIBILITY OF THE CONTRACTOR TO FIELD VERIFY THE DIMENSIONS, MEASUREMENTS, AND/OR CLEARANCES SHOWN IN THE CONSTRUCTION DRAWINGS PRIOR TO FABRICATION OR CUTTING OF ANY NEW OR EXISTING CONSTRUCTION ELEMENTS. IF IT IS DETERMINED THAT THERE ARE DISCREPANCIES AND/OR CONFLICTS WITH THE CONSTRUCTION DRAWINGS THE ENGINEER OF RECORD IS TO BE NOTIFIED AS SOON AS POSSIBLE.
- PRIOR TO THE SUBMISSION OF BIDS, THE BIDDING CONTRACTOR SHALL VISIT THE CELL SITE TO FAMILIARIZE WITH THE EXISTING CONDITIONS AND TO CONFIRM THAT THE WORK CAN BE ACCOMPLISHED AS SHOWN ON THE CONSTRUCTION DRAWINGS. ANY DISCREPANCY FOUND SHALL BE BROUGHT TO THE ATTENTION OF CROWN CASTLE.
- ALL MATERIALS FURNISHED AND INSTALLED SHALL BE IN STRICT ACCORDANCE WITH ALL APPLICABLE CODES, REGULATIONS AND ORDINANCES. CONTRACTOR SHALL ISSUE ALL APPROPRIATE NOTICES AND COMPLY WITH ALL LAWS, ORDINANCES, RULES, REGULATIONS AND LAWFUL ORDERS OF ANY PUBLIC AUTHORITY REGARDING THE PERFORMANCE OF THE WORK. ALL WORK CARRIED OUT SHALL COMPLY WITH ALL APPLICABLE MUNICIPAL AND UTILITY COMPANY SPECIFICATIONS AND LOCAL JURISDICTIONAL CODES, ORDINANCES AND APPLICABLE REGULATIONS.
- UNLESS NOTED OTHERWISE, THE WORK SHALL INCLUDE FURNISHING MATERIALS, EQUIPMENT, APPURTENANCES AND LABOR NECESSARY TO COMPLETE ALL INSTALLATIONS AS INDICATED ON THE DRAWINGS.
- THE CONTRACTOR SHALL INSTALL ALL EQUIPMENT AND MATERIALS IN ACCORDANCE WITH MANUFACTURER'S RECOMMENDATIONS UNLESS SPECIFICALLY STATED OTHERWISE.
- IF THE SPECIFIED EQUIPMENT CAN NOT BE INSTALLED AS SHOWN ON THESE DRAWINGS, THE CONTRACTOR SHALL PROPOSE AN ALTERNATIVE INSTALLATION FOR APPROVAL BY THE CARRIER AND CROWN CASTLE PRIOR TO PROCEEDING WITH ANY SUCH CHANGE OF INSTALLATION.
- CONTRACTOR IS TO PERFORM A SITE INVESTIGATION AND IS TO DETERMINE THE BEST ROUTING OF ALL CONDUITS FOR POWER, AND TELCO AND FOR GROUNDING CABLES AS SHOWN IN THE POWER, TELCO, AND GROUNDING PLAN DRAWINGS.
- THE CONTRACTOR SHALL PROTECT EXISTING IMPROVEMENTS, PAVEMENTS, CURBS, LANDSCAPING AND STRUCTURES. ANY DAMAGED PART SHALL BE REPAIRED AT CONTRACTOR'S EXPENSE TO THE SATISFACTION OF CROWN CASTLE USA INC.
- CONTRACTOR SHALL LEGALLY AND PROPERLY DISPOSE OF ALL SCRAP MATERIALS SUCH AS COAXIAL CABLES AND OTHER ITEMS REMOVED FROM THE EXISTING FACILITY. ANTENNAS REMOVED SHALL BE RETURNED TO THE OWNER'S DESIGNATED LOCATION.
- CONTRACTOR SHALL LEAVE PREMISES IN CLEAN CONDITION. TRASH AND DEBRIS SHOULD BE REMOVED FROM SITE ON A DAILY BASIS.

CONCRETE, FOUNDATIONS, AND REINFORCING STEEL:

- ALL CONCRETE WORK SHALL BE IN ACCORDANCE WITH THE ACI 301, ACI 318, ACI 336, ASTM A184, ASTM A185 AND THE DESIGN AND CONSTRUCTION SPECIFICATION FOR CAST-IN-PLACE CONCRETE.
- UNLESS NOTED OTHERWISE, SOIL BEARING PRESSURE USED FOR DESIGN OF SLABS AND FOUNDATIONS IS ASSUMED TO BE 1000 psf.
- ALL CONCRETE SHALL HAVE A MINIMUM COMPRESSIVE STRENGTH (f'c) OF 3000 psi AT 28 DAYS, UNLESS NOTED OTHERWISE. NO MORE THAN 90 MINUTES SHALL ELAPSE FROM BATCH TIME TO TIME OF PLACEMENT UNLESS APPROVED BY THE ENGINEER OF RECORD. TEMPERATURE OF CONCRETE SHALL NOT EXCEED 90°F AT TIME OF PLACEMENT.
- CONCRETE EXPOSED TO FREEZE-THAW CYCLES SHALL CONTAIN AIR ENTRAINING ADMIXTURES. AMOUNT OF AIR ENTRAINMENT TO BE BASED ON SIZE OF AGGREGATE AND F3 CLASS EXPOSURE (VERY SEVERE). CEMENT USED TO BE TYPE II PORTLAND CEMENT WITH A MAXIMUM WATER-TO-CEMENT RATIO (W/C) OF 0.45.
- ALL STEEL REINFORCING SHALL CONFORM TO ASTM A615. ALL WELDED WIRE FABRIC (WWF) SHALL CONFORM TO ASTM A185. ALL SPLICES SHALL BE CLASS "B" TENSION SPLICES, UNLESS NOTED OTHERWISE. ALL HOOKS SHALL BE STANDARD 90 DEGREE HOOKS, UNLESS NOTED OTHERWISE. YIELD STRENGTH (fy) OF STANDARD DEFORMED BARS ARE AS FOLLOWS:
#4 BARS AND SMALLER.....40 ksi
#5 BARS AND LARGER.....60 ksi
- THE FOLLOWING MINIMUM CONCRETE COVER SHALL BE PROVIDED FOR REINFORCING STEEL UNLESS SHOWN OTHERWISE ON DRAWINGS:
CONCRETE CAST AGAINST AND PERMANENTLY EXPOSED TO EARTH.....3"
CONCRETE EXPOSED TO EARTH OR WEATHER:
#6 BARS AND LARGER.....2"
#5 BARS AND SMALLER.....1-1/2"
CONCRETE NOT EXPOSED TO EARTH OR WEATHER:
SLAB AND WALLS.....3/4"
BEAMS AND COLUMNS.....1-1/2"
- A TOOLED EDGE OR A 3/4" CHAMFER SHALL BE PROVIDED AT ALL EXPOSED EDGES OF CONCRETE, UNLESS NOTED OTHERWISE, IN ACCORDANCE WITH ACI 301 SECTION 4.2.4.

ELECTRICAL INSTALLATION NOTES:

- ALL ELECTRICAL WORK SHALL BE PERFORMED IN ACCORDANCE WITH THE PROJECT SPECIFICATIONS, NEC AND ALL APPLICABLE FEDERAL, STATE, AND LOCAL CODES/ORDINANCES.
- CONDUIT ROUTINGS ARE SCHEMATIC. CONTRACTOR SHALL INSTALL CONDUITS SO THAT ACCESS TO EQUIPMENT IS NOT BLOCKED AND TRIP HAZARDS ARE ELIMINATED.
- WIRING, RACEWAY AND SUPPORT METHODS AND MATERIALS SHALL COMPLY WITH THE REQUIREMENTS OF THE NEC.
- ALL CIRCUITS SHALL BE SEGREGATED AND MAINTAIN MINIMUM CABLE SEPARATION AS REQUIRED BY THE NEC.
 - ALL EQUIPMENT SHALL BEAR THE UNDERWRITERS LABORATORIES LABEL OF APPROVAL, AND SHALL CONFORM TO REQUIREMENT OF THE NATIONAL ELECTRICAL CODE.
 - ALL OVERCURRENT DEVICES SHALL HAVE AN INTERRUPTING CURRENT RATING THAT SHALL BE GREATER THAN THE SHORT CIRCUIT CURRENT TO WHICH THEY ARE SUBJECTED, 22,000 AIC MINIMUM. VERIFY AVAILABLE SHORT CIRCUIT CURRENT DOES NOT EXCEED THE RATING OF ELECTRICAL EQUIPMENT IN ACCORDANCE WITH ARTICLE 110.24 NEC OR THE MOST CURRENT ADOPTED CODE PRE THE GOVERNING JURISDICTION.
- EACH END OF EVERY POWER PHASE CONDUCTOR, GROUNDING CONDUCTOR, AND TELCO CONDUCTOR OR CABLE SHALL BE LABELED WITH COLOR-CODED INSULATION OR ELECTRICAL TAPE (3M BRAND, 1/2" PLASTIC ELECTRICAL TAPE WITH UV PROTECTION, OR EQUAL). THE IDENTIFICATION METHOD SHALL CONFORM WITH NEC AND OSHA.
- ALL ELECTRICAL COMPONENTS SHALL BE CLEARLY LABELED WITH LAMICOID TAGS SHOWING THEIR RATED VOLTAGE, PHASE CONFIGURATION, WIRE CONFIGURATION, POWER OR AMPACITY RATING AND BRANCH CIRCUIT ID NUMBERS (i.e. PANEL BOARD AND CIRCUIT ID'S).
- PANEL BOARDS (ID NUMBERS) SHALL BE CLEARLY LABELED WITH PLASTIC LABELS.
- ALL TIE WRAPS SHALL BE CUT FLUSH WITH APPROVED CUTTING TOOL TO REMOVE SHARP EDGES.
- ALL POWER AND EQUIPMENT GROUND WIRING IN TUBING OR CONDUIT SHALL BE SINGLE COPPER CONDUCTOR (#14 OR LARGER) WITH TYPE THW, THW, THWN-2, XHHW, XHHW-2, THW, THW-2, RHW, OR RHW-2 INSULATION UNLESS OTHERWISE SPECIFIED.
- SUPPLEMENTAL EQUIPMENT GROUND WIRING LOCATED INDOORS SHALL BE SINGLE COPPER CONDUCTOR (#6 OR LARGER) WITH TYPE THW, THW, THWN-2, XHHW, XHHW-2, THW, THW-2, RHW, OR RHW-2 INSULATION UNLESS OTHERWISE SPECIFIED.
- POWER AND CONTROL WIRING IN FLEXIBLE CORD SHALL BE MULTI-CONDUCTOR, TYPE SOOW CORD (#14 OR LARGER) UNLESS OTHERWISE SPECIFIED.
- POWER AND CONTROL WIRING FOR USE IN CABLE TRAY SHALL BE MULTI-CONDUCTOR, TYPE TC CABLE (#14 OR LARGER), WITH TYPE THW, THWN, THWN-2, XHHW, XHHW-2, THW, THW-2, RHW, OR RHW-2 INSULATION UNLESS OTHERWISE SPECIFIED.
- ALL POWER AND GROUNDING CONNECTIONS SHALL BE CRIMP-STYLE, COMPRESSION WIRE LUGS AND WIRE NUTS BY THOMAS AND BETTS (OR EQUAL). LUGS AND WIRE NUTS SHALL BE RATED FOR OPERATION NOT LESS THAN 75° C (90° C IF AVAILABLE).
- RACEWAY AND CABLE TRAY SHALL BE LISTED OR LABELED FOR ELECTRICAL USE IN ACCORDANCE WITH NEMA, UL, ANSI/IEEE AND NEC.
- ELECTRICAL METALLIC TUBING (EMT), INTERMEDIATE METAL CONDUIT (IMC), OR RIGID METAL CONDUIT (RMC) SHALL BE USED FOR EXPOSED INDOOR LOCATIONS.
- ELECTRICAL METALLIC TUBING (EMT) OR METAL-CLAD CABLE (MC) SHALL BE USED FOR CONCEALED INDOOR LOCATIONS.
- SCHEDULE 40 PVC UNDERGROUND ON STRAIGHTS AND SCHEDULE 80 PVC FOR ALL ELBOWS/90s AND ALL APPROVED ABOVE GRADE PVC CONDUIT.
- LIQUID-TIGHT FLEXIBLE METALLIC CONDUIT (LIQUID-TITE FLEX) SHALL BE USED INDOORS AND OUTDOORS, WHERE VIBRATION OCCURS OR FLEXIBILITY IS NEEDED.
- CONDUIT AND TUBING FITTINGS SHALL BE THREADED OR COMPRESSION-TYPE AND APPROVED FOR THE LOCATION USED. SET SCREW FITTINGS ARE NOT ACCEPTABLE.
- CABINETS, BOXES AND WIRE WAYS SHALL BE LABELED FOR ELECTRICAL USE IN ACCORDANCE WITH NEMA, UL, ANSI/IEEE AND THE NEC.
- WIREWAYS SHALL BE METAL WITH AN ENAMEL FINISH AND INCLUDE A HINGED COVER, DESIGNED TO SWING OPEN DOWNWARDS (WIREFOLD SPECMATE WIREWAY).
- SLOTTED WIRING DUCT SHALL BE PVC AND INCLUDE COVER (PANDUIT TYPE E OR EQUAL).
- CONDUITS SHALL BE FASTENED SECURELY IN PLACE WITH APPROVED NON-PERFORATED STRAPS AND HANGERS. EXPLOSIVE DEVICES (i.e. POWDER-ACTUATED) FOR ATTACHING HANGERS TO STRUCTURE WILL NOT BE PERMITTED. CLOSELY FOLLOW THE LINES OF THE STRUCTURE, MAINTAIN CLOSE PROXIMITY TO THE STRUCTURE AND KEEP CONDUITS IN TIGHT ENVELOPES. CHANGES IN DIRECTION TO ROUTE AROUND OBSTACLES SHALL BE MADE WITH CONDUIT OUTLET BODIES. CONDUIT SHALL BE INSTALLED IN A NEAT AND WORKMANLIKE MANNER, PARALLEL AND PERPENDICULAR TO STRUCTURE WALL AND CEILING LINES. ALL CONDUIT SHALL BE FISHED TO CLEAR OBSTRUCTIONS. ENDS OF CONDUITS SHALL BE TEMPORARILY CAPPED FLUSH TO FINISH GRADE TO PREVENT CONCRETE, PLASTER OR DIRT FROM ENTERING. CONDUITS SHALL BE RIGIDLY CLAMPED TO BOXES BY GALVANIZED MALLEABLE IRON BUSHING ON INSIDE AND GALVANIZED MALLEABLE IRON LOCKNUT ON OUTSIDE AND INSIDE.
- EQUIPMENT CABINETS, TERMINAL BOXES, JUNCTION BOXES AND PULL BOXES SHALL BE GALVANIZED OR EPOXY-COATED SHEET STEEL. SHALL MEET OR EXCEED UL 50 AND BE RATED NEMA 1 (OR BETTER) FOR INTERIOR LOCATIONS AND NEMA 3R (OR BETTER) FOR EXTERIOR LOCATIONS.
- METAL RECEPTACLE, SWITCH AND DEVICE BOXES SHALL BE GALVANIZED, EPOXY-COATED OR NON-CORRODING; SHALL MEET OR EXCEED UL 514A AND NEMA OS 1 AND BE RATED NEMA 1 (OR BETTER) FOR INTERIOR LOCATIONS AND WEATHER PROTECTED (WP OR BETTER) FOR EXTERIOR LOCATIONS.
- NONMETALLIC RECEPTACLE, SWITCH AND DEVICE BOXES SHALL MEET OR EXCEED NEMA OS 2 (NEWEST REVISION) AND BE RATED NEMA 1 (OR BETTER) FOR INTERIOR LOCATIONS AND WEATHER PROTECTED (WP OR BETTER) FOR EXTERIOR LOCATIONS.
- THE CONTRACTOR SHALL NOTIFY AND OBTAIN NECESSARY AUTHORIZATION FROM THE CARRIER AND/OR CROWN CASTLE USA INC. BEFORE COMMENCING WORK ON THE AC POWER DISTRIBUTION PANELS.
- THE CONTRACTOR SHALL PROVIDE NECESSARY TAGGING ON THE BREAKERS, CABLES AND DISTRIBUTION PANELS IN ACCORDANCE WITH THE APPLICABLE CODES AND STANDARDS TO SAFEGUARD LIFE AND PROPERTY.
- INSTALL LAMICOID LABEL ON THE METER CENTER TO SHOW "VERIZON".
- ALL EMPTY/SPARE CONDUITS THAT ARE INSTALLED ARE TO HAVE A METERED MULE TAPE PULL CORD INSTALLED.

CONDUCTOR COLOR CODE		
SYSTEM	CONDUCTOR	COLOR
120/240V, 1Ø	A PHASE	BLACK
	B PHASE	RED
	NEUTRAL	WHITE
120/208V, 3Ø	GROUND	GREEN
	A PHASE	BLACK
	B PHASE	RED
277/480V, 3Ø	C PHASE	BLUE
	NEUTRAL	WHITE
	GROUND	GREEN
DC VOLTAGE	A PHASE	BROWN
	B PHASE	ORANGE OR PURPLE
	C PHASE	YELLOW
	NEUTRAL	GREY
	GROUND	GREEN
	POS (+)	RED**
	NEG (-)	BLACK**

* SEE NEC 210.5(C)(1) AND (2)
** POLARITY MARKED AT TERMINATION

APWA UNIFORM COLOR CODE:

- WHITE PROPOSED EXCAVATION
- PINK TEMPORARY SURVEY MARKINGS
- RED ELECTRIC POWER LINES, CABLES, CONDUIT, AND LIGHTING CABLES
- YELLOW GAS, OIL, STEAM, PETROLEUM, OR GASEOUS MATERIALS
- ORANGE COMMUNICATION, ALARM OR SIGNAL LINES, CABLES, OR CONDUIT AND TRAFFIC LOOPS
- BLUE POTABLE WATER
- PURPLE RECLAIMED WATER, IRRIGATION, AND SLURRY LINES
- GREEN SEWERS AND DRAIN LINES

ABBREVIATIONS:

- ANT ANTENNA
- (E) EXISTING
- FIF FACILITY INTERFACE FRAME
- GEN GENERATOR
- GPS GLOBAL POSITIONING SYSTEM
- GSM GLOBAL SYSTEM FOR MOBILE
- LTE LONG TERM EVOLUTION
- MGB MASTER GROUND BAR
- MW MICROWAVE
- (N) NEW
- NEC NATIONAL ELECTRIC CODE
- (P) PROPOSED
- PP POWER PLANT
- QTY QUANTITY
- RECT RECTIFIER
- RBS RADIO BASE STATION
- RETS REMOTE ELECTRIC TILT
- RRFD RADIO FREQUENCY DATA SHEET
- RRH REMOTE RADIO HEAD
- RRU REMOTE RADIO UNIT
- SIAD SMART INTEGRATED DEVICE
- TMA TOWER MOUNTED AMPLIFIER
- TYP TYPICAL
- UMTS UNIVERSAL MOBILE TELECOMMUNICATIONS SYSTEM
- W.P. WORK POINT



7701 EAST TELECOM PARKWAY WING A-1
TEMPLE TERRACE, FL 33637



8000 AVALON BLVD, SUITE 700
ALPHARETTA, GA 30009



1080 HOLCOMB BRIDGE ROAD
BUILDING 100, SUITE 350
ROSWELL, GA 30076
TEL: 678-990-2338 FAX: 678-990-2342

VERIZON SITE NUMBER:
228807

BU #: 846219
FAIRGROUNDS

682 SOUTHWEST COMMERCE
DRIVE
LAKE CITY, FL 32025

EXISTING 185'-6" GUYED

ISSUED FOR:

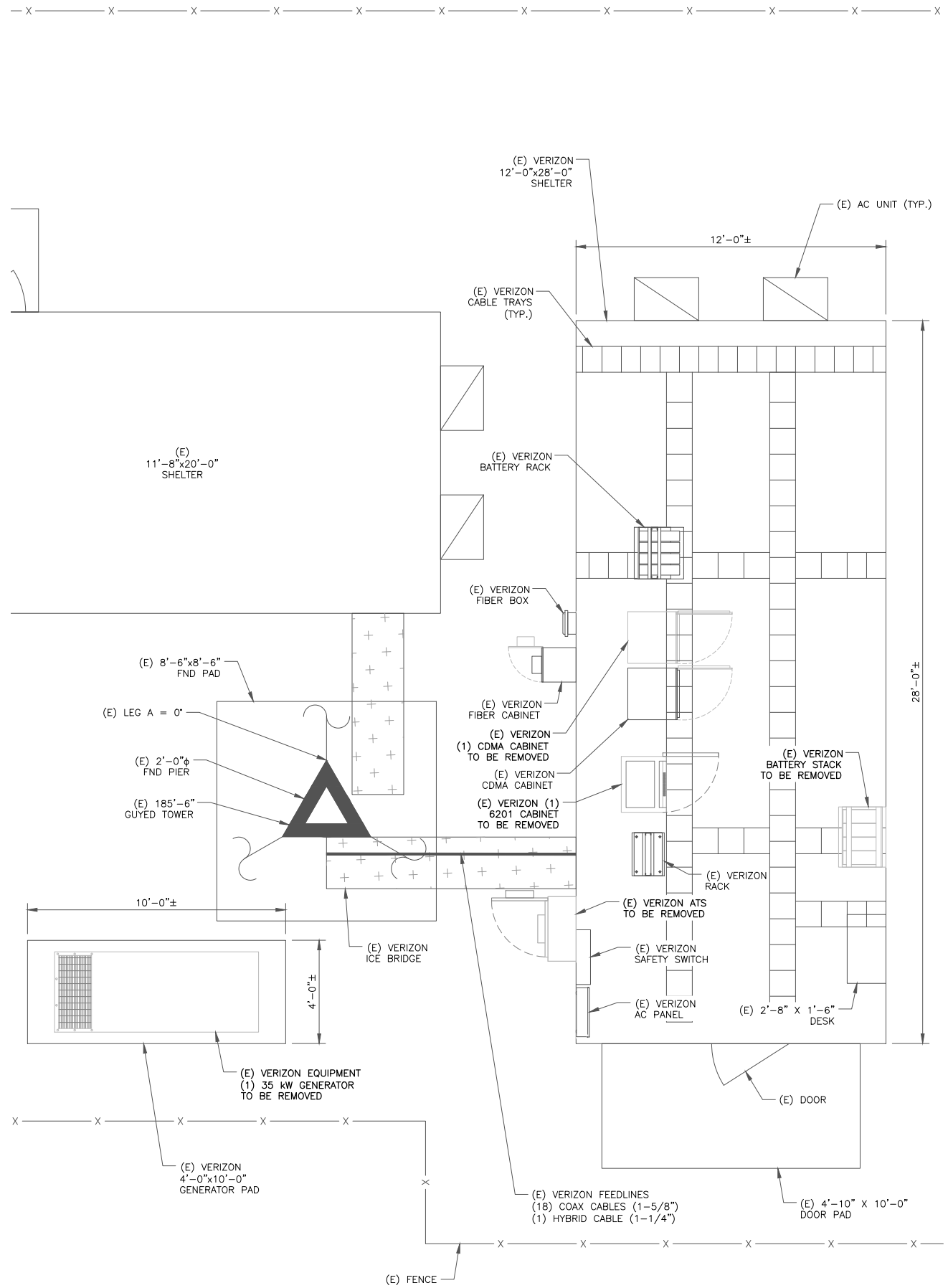
REV	DATE	DRWN	DESCRIPTION	DES/QA
0	02/04/22	SIH	FINAL	MDS



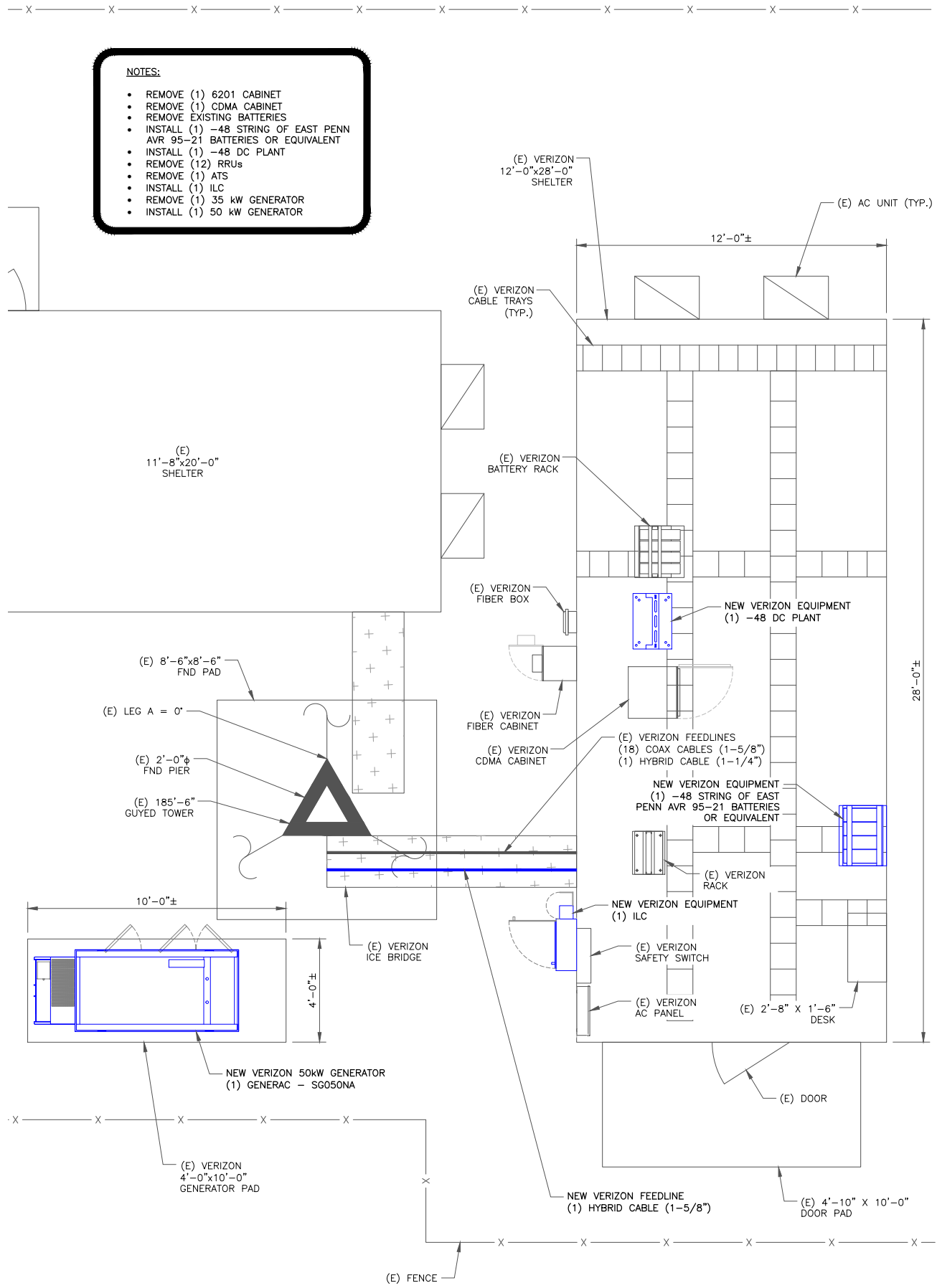
THIS ITEM HAS BEEN DIGITALLY SIGNED AND SEALED BY JAVAD K. PARSA, P.E. ON THE DATE ADJACENT TO THE SEAL. PRINTED COPIES OF THIS DOCUMENT ARE NOT CONSIDERED SIGNED AND SEALED AND THE SIGNATURE MUST BE VERIFIED ON ANY ELECTRONIC COPIES.

IT IS A VIOLATION OF LAW FOR ANY PERSON, UNLESS THEY ARE ACTING UNDER THE DIRECTION OF A LICENSED PROFESSIONAL ENGINEER, TO ALTER THIS DOCUMENT.

SHEET NUMBER: **T-2** REVISION: **0**



1 EXISTING EQUIPMENT PLAN
 SCALE: 3/8"=1'-0" (FULL SIZE)
 3/16"=1'-0" (11x17)



2 PROPOSED EQUIPMENT PLAN
 SCALE: 3/8"=1'-0" (FULL SIZE)
 3/16"=1'-0" (11x17)



- NOTES:**
- REMOVE (1) 6201 CABINET
 - REMOVE (1) CDMA CABINET
 - REMOVE EXISTING BATTERIES
 - INSTALL (1) -48 STRING OF EAST PENN AVR 95-21 BATTERIES OR EQUIVALENT
 - INSTALL (1) -48 DC PLANT
 - REMOVE (12) RRU's
 - REMOVE (1) ATS
 - INSTALL (1) ILC
 - REMOVE (1) 35 kW GENERATOR
 - INSTALL (1) 50 kW GENERATOR

verizon
 7701 EAST TELECOM PARKWAY WING A-1
 TEMPLE TERRACE, FL 33637

CROWN CASTLE
 8000 AVALON BLVD, SUITE 700
 ALPHARETTA, GA 30009

towersource
 1080 HOLCOMB BRIDGE ROAD
 BUILDING 100, SUITE 350
 ROSWELL, GA 30076
 TEL: 678-990-2338 FAX: 678-990-2342

VERIZON SITE NUMBER:
228807

BU #: **846219**
FAIRGROUNDS

682 SOUTHWEST COMMERCE
 DRIVE
 LAKE CITY, FL 32025

EXISTING 185'-6" GUYED

ISSUED FOR:

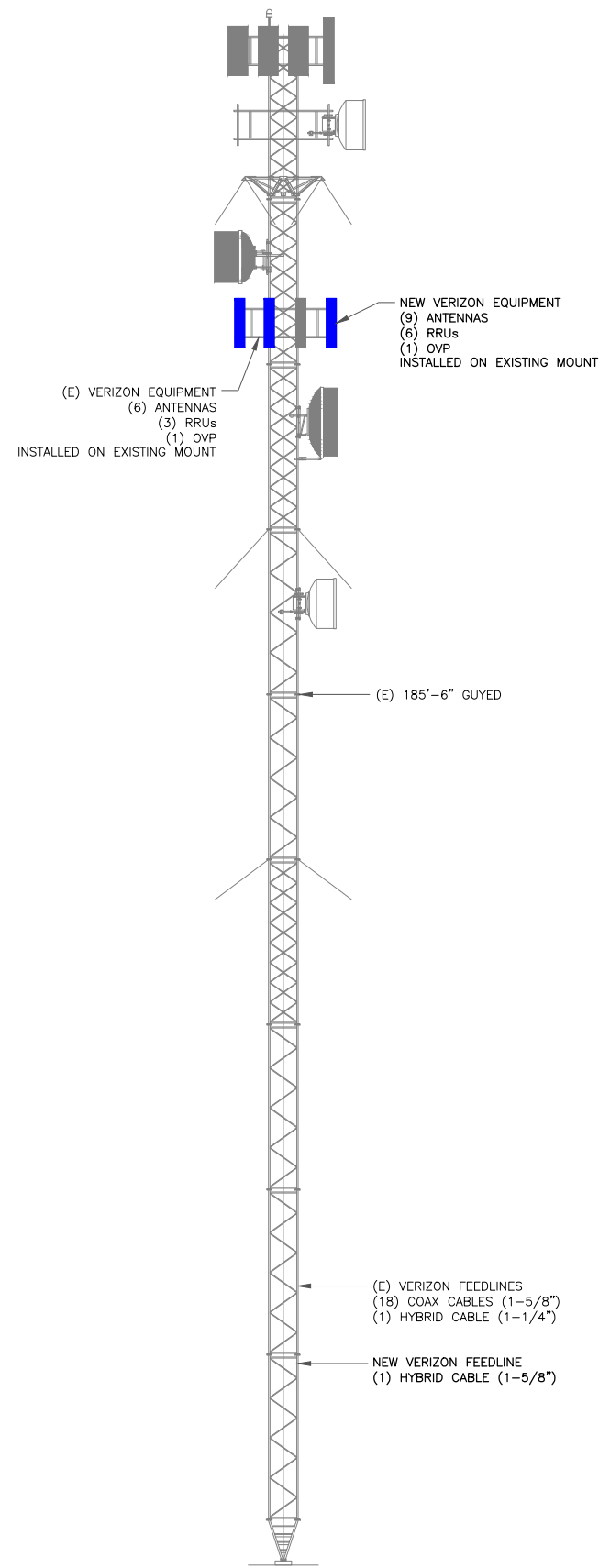
REV	DATE	DRWN	DESCRIPTION	DES./QA
0	02/04/22	SJH	FINAL	MDS



THIS ITEM HAS BEEN DIGITALLY SIGNED AND SEALED BY JAVAD K. PARSA, P.E. ON THE DATE ADJACENT TO THE SEAL. PRINTED COPIES OF THIS DOCUMENT ARE NOT CONSIDERED SIGNED AND SEALED AND THE SIGNATURE MUST BE VERIFIED ON ANY ELECTRONIC COPIES.

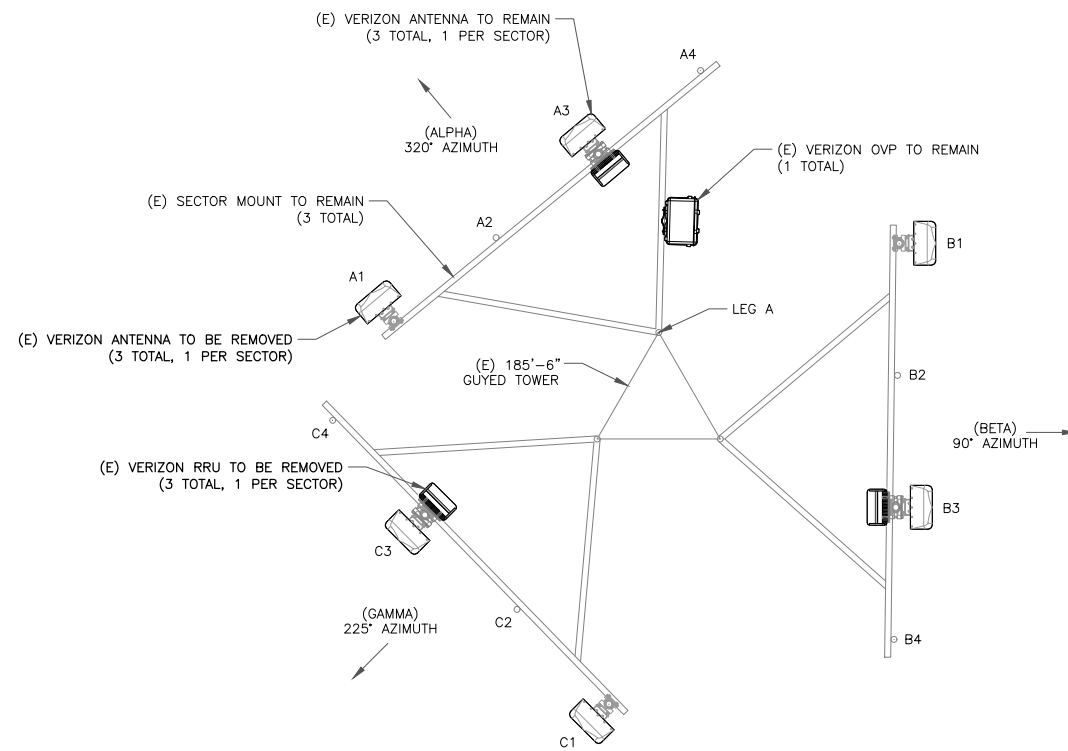
IT IS A VIOLATION OF LAW FOR ANY PERSON, UNLESS THEY ARE ACTING UNDER THE DIRECTION OF A LICENSED PROFESSIONAL ENGINEER, TO ALTER THIS DOCUMENT.

SHEET NUMBER: **C-1.2** REVISION: **0**

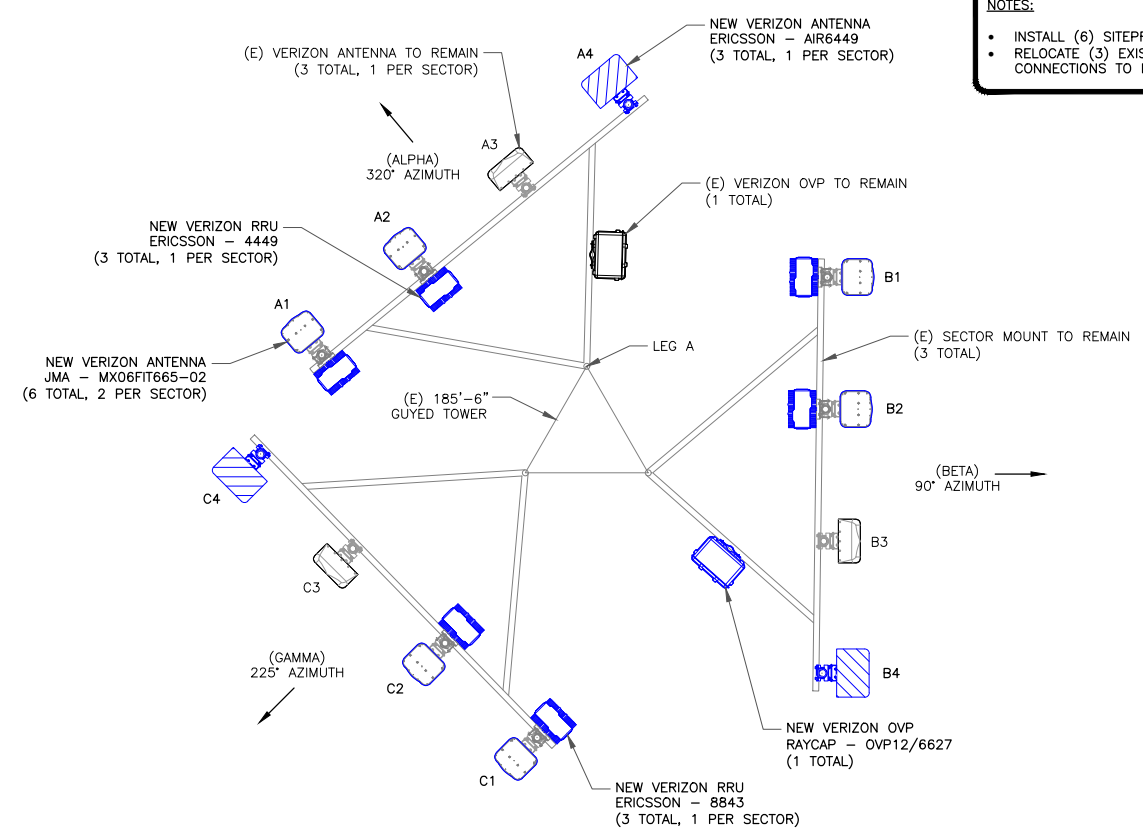


1 TOWER ELEVATION
SCALE: NOT TO SCALE

VERIZON EQUIPMENT
ANTENNA CL: 150'
MOUNT CL: 150'



2 EXISTING ANTENNA PLAN
SCALE: NOT TO SCALE



3 NEW ANTENNA PLAN
SCALE: NOT TO SCALE

- NOTES:
- INSTALL (6) SITEPRO1 CLAMPS
 - RELOCATE (3) EXISTING TIE BACK CONNECTIONS TO MOUNT AND TOWER

verizon
7701 EAST TELECOM PARKWAY WING A-1
TEMPLE TERRACE, FL 33637

CROWN CASTLE
8000 AVALON BLVD, SUITE 700
ALPHARETTA, GA 30009

towersource
1080 HOLCOMB BRIDGE ROAD
BUILDING 100, SUITE 350
ROSWELL, GA 30076
TEL: 678-990-2338 FAX: 678-990-2342

VERIZON SITE NUMBER:
228807

BU #: **846219**
FAIRGROUNDS

682 SOUTHWEST COMMERCE
DRIVE
LAKE CITY, FL 32025

EXISTING 185'-6" GUYED

ISSUED FOR:

REV	DATE	DRWN	DESCRIPTION	DES/QA
0	02/04/22	SIH	FINAL	MDS



THIS ITEM HAS BEEN DIGITALLY SIGNED AND SEALED BY JAVAD K. PARSA, P.E. ON THE DATE ADJACENT TO THE SEAL. PRINTED COPIES OF THIS DOCUMENT ARE NOT CONSIDERED SIGNED AND SEALED AND THE SIGNATURE MUST BE VERIFIED ON ANY ELECTRONIC COPIES.

IT IS A VIOLATION OF LAW FOR ANY PERSON, UNLESS THEY ARE ACTING UNDER THE DIRECTION OF A LICENSED PROFESSIONAL ENGINEER, TO ALTER THIS DOCUMENT.

SHEET NUMBER: **C-2** REVISION: **0**

FINAL EQUIPMENT SCHEDULE							
SECTOR	STATUS	ANTENNA MANUFACTURER	ANTENNA MODEL	ANTENNA CENTERLINE	AZIMUTH	TOWER EQUIPMENT MANUFACTURER	TOWER EQUIPMENT QTY/MODEL
A1	NEW	JMA	MX06FIT665-02	150'	320°	ERICSSON	(1) RADIO 8843
A2	NEW	JMA	MX06FIT665-02	150'	320°	ERICSSON	(1) RADIO 4449
A3	EXISTING	CSS ANTENNA	X7CQAP-665-V	150'	320°	RAYCAP	(1) RHSDC-3315-PF-48
A4	NEW	ERICSSON	AIR6449	150'	320°	-	-
B1	NEW	JMA	MX06FIT665-02	150'	90°	ERICSSON	(1) RADIO 8843
B2	NEW	JMA	MX06FIT665-02	150'	90°	ERICSSON	(1) RADIO 4449
B3	EXISTING	CSS ANTENNA	X7CQAP-665-V	150'	90°	RAYCAP	(1) OVP12/6627
B4	NEW	ERICSSON	AIR6449	150'	90°	-	-
C1	NEW	JMA	MX06FIT665-02	150'	225°	ERICSSON	(1) RADIO 8843
C2	NEW	JMA	MX06FIT665-02	150'	225°	ERICSSON	(1) RADIO 4449
C3	EXISTING	CSS ANTENNA	X7CQAP-665-V	150'	225°	-	-
C4	NEW	ERICSSON	AIR6449	150'	225°	-	-

FINAL CABLE SCHEDULE				
STATUS	CABLE TYPE	SIZE	LENGTH	QTY
EXISTING	COAX	1-5/8"	200'-0"±	18
EXISTING	HYBRID	1-1/4"	200'-0"±	1
NEW	HYBRID	1-5/8"	200'-0"±	1
TOTAL CABLE QTY:				20

NOTE:
 REFER TO RFDS FOR ELECTRICAL
 & MECHANICAL DOWNTILTS

VERIZON SITE NUMBER:
228807

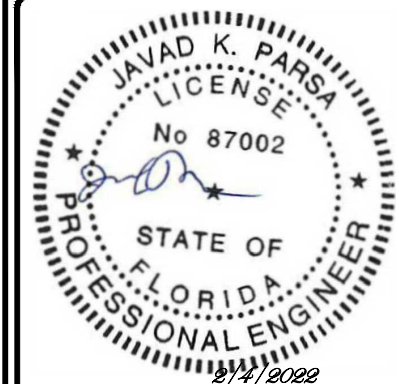
BU #: **846219**
FAIRGROUNDS

682 SOUTHWEST COMMERCE
 DRIVE
 LAKE CITY, FL 32025

EXISTING 185'-6" GUYED

ISSUED FOR:

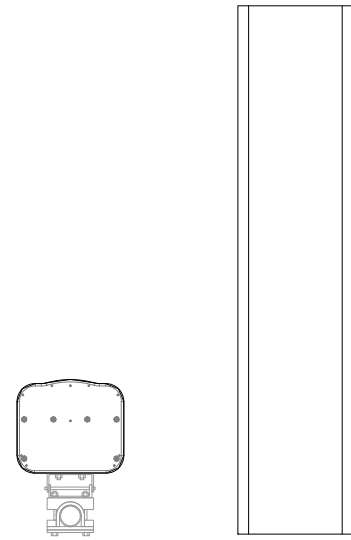
REV	DATE	DRWN	DESCRIPTION	DES/QA
0	02/04/22	SJH	FINAL	MDS



THIS ITEM HAS BEEN DIGITALLY SIGNED AND SEALED BY JAVAD K. PARSA, P.E. ON THE DATE ADJACENT TO THE SEAL. PRINTED COPIES OF THIS DOCUMENT ARE NOT CONSIDERED SIGNED AND SEALED AND THE SIGNATURE MUST BE VERIFIED ON ANY ELECTRONIC COPIES.

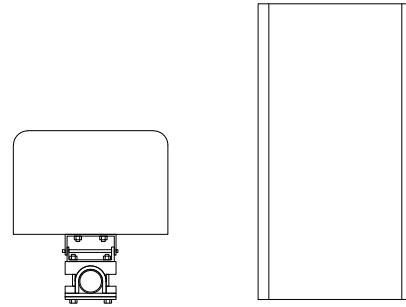
IT IS A VIOLATION OF LAW FOR ANY PERSON, UNLESS THEY ARE ACTING UNDER THE DIRECTION OF A LICENSED PROFESSIONAL ENGINEER, TO ALTER THIS DOCUMENT.

SHEET NUMBER: **C-3** REVISION: **0**



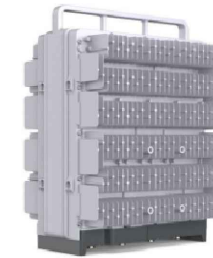
JMA WIRELESS - MX06FIT665-02
WEIGHT: 58.0 LBS
SIZE (HxWxD): 71.3x12.2x10.7 IN.

1 JMA WIRELESS - MX06FIT665-02
SCALE: NOT TO SCALE



ERICSSON - AIR6449
WEIGHT: 104.0 LBS
SIZE (HxWxD): 33.1x20.6x8.6 IN.

2 ERICSSON - AIR6449
SCALE: NOT TO SCALE



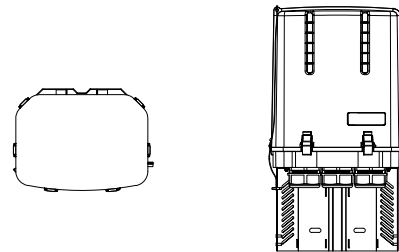
ERICSSON - RADIO 8843
WEIGHT: 71.9 LBS
SIZE (HxWxD): 18.0x13.2x11.1 IN.

3 ERICSSON - RADIO 8843
SCALE: NOT TO SCALE



ERICSSON - RADIO 4449
WEIGHT: 67.2 LBS
SIZE (HxWxD): 17.9x13.2x9.3 IN.

4 ERICSSON - RADIO 4449
SCALE: NOT TO SCALE



RAYCAP OVP12/6627
WEIGHT: 32.0 LBS
SIZE (HxWxD): 28.93x15.73x10.31 IN.

5 RAYCAP - OVP12/6627
SCALE: NOT TO SCALE

6 NOT USED
SCALE: NOT TO SCALE

verizon
7701 EAST TELECOM PARKWAY WING A-1
TEMPLE TERRACE, FL 33637

CROWN CASTLE
8000 AVALON BLVD, SUITE 700
ALPHARETTA, GA 30009

towersource
1080 HOLCOMB BRIDGE ROAD
BUILDING 100, SUITE 350
ROSWELL, GA 30076
TEL: 678-990-2338 FAX: 678-990-2342

VERIZON SITE NUMBER:
228807

BU #: **846219**
FAIRGROUNDS

682 SOUTHWEST COMMERCE
DRIVE
LAKE CITY, FL 32025

EXISTING 185'-6" GUYED

ISSUED FOR:

REV	DATE	DRWN	DESCRIPTION	DES/QA
0	02/04/22	SIH	FINAL	MDS



THIS ITEM HAS BEEN DIGITALLY SIGNED AND SEALED BY JAVAD K. PARSA, P.E. ON THE DATE ADJACENT TO THE SEAL. PRINTED COPIES OF THIS DOCUMENT ARE NOT CONSIDERED SIGNED AND SEALED AND THE SIGNATURE MUST BE VERIFIED ON ANY ELECTRONIC COPIES.

IT IS A VIOLATION OF LAW FOR ANY PERSON, UNLESS THEY ARE ACTING UNDER THE DIRECTION OF A LICENSED PROFESSIONAL ENGINEER, TO ALTER THIS DOCUMENT.

SHEET NUMBER:
C-4

REVISION:
0

SG050NA | 4.5L | 50 kW
INDUSTRIAL SPARK-IGNITED GENERATOR SET
 EPA Certified Stationary



Standby Power Rating
 50 kW, 63 kVA, 60 Hz

Demand Response Rating
 50 kW, 63 kVA, 60 Hz

Prime Power Rating
 45 kW, 56 kVA, 60 Hz

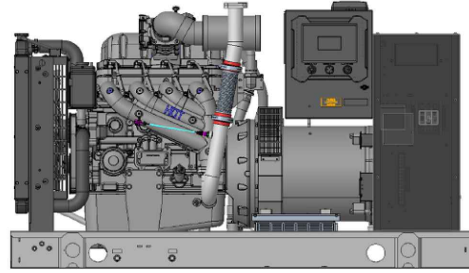


Image used for illustration purposes only

Codes and Standards

Not all codes and standards apply to all configurations. Contact factory for details.

- UL2200, UL6200, UL1236, UL489
- CSA C22.2
- BS5514 and DIN 6271
- SAE J1349
- NFPA 37, 70, 99, 110
- NEC700, 701, 702, 708
- ISO 3046, 7637, 8528, 9001
- NEMA ICS10, MG1, 250, ICS6, AB1
- ANSI C62.41
- IBC 2009, CBC 2010, IBC 2012, ASCE 7-05, ASCE 7-10, ICC-ES AC-156 (2012)

Powering Ahead

Generac ensures superior quality by designing and manufacturing most of its generator components, such as alternators, enclosures, control systems and communications software. Generac also makes its own spark-ignited engines, and you'll find them on every Generac gaseous-fueled generator. We engineer and manufacture them from the block up — all at our facilities throughout Wisconsin. Applying natural gas and LP-fueled engines to generators requires advanced engineering expertise to ensure reliability, durability and necessary performance. By designing specifically for these dry, hotter-burning fuels, the engines last longer and require less maintenance. Building our own engines also means we control every step of the supply chain and delivery process, so you benefit from single-source responsibility.

Plus, Generac Industrial Power's distribution network provides all parts and service so you don't have to deal with third-party suppliers. It all leads to a positive owner experience and higher confidence level. Generac spark-ignited engines give you more options in commercial and industrial generator applications as well as extended run time from utility-supplied natural gas.

APPLICATION AND ENGINEERING DATA

ENGINE SPECIFICATIONS

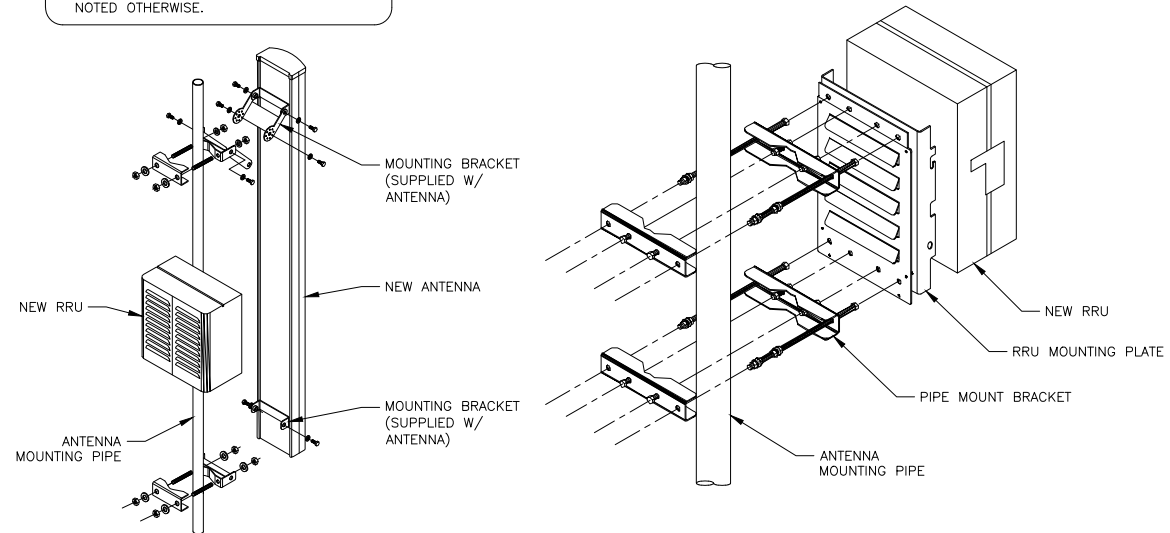
General		Lubrication System	
Make	Generac	Oil Pump Type	Gear Driving
Cylinder #	4	Oil Filter Type	Full-Flow Spin-On Cartridge
Type	In-Line	Crankcase Capacity - qt (L)	21 (20)
Displacement - in ³ (L)	275.0 (4.5)	Cooling System	
Bore - in (mm)	4.5 (114.0)	Cooling System Type	Pressurized Closed
Stroke - in (mm)	4.25 (107.95)	Fan Type	Pusher
Compression Ratio	9.94:1	Fan Speed - RPM	2,100
Intake Air Method	Naturally Aspirated	Fan Diameter - in (mm)	20 (508)
Number of Main Bearings	5	Fuel System	
Connecting Rods	Forged Steel, Fractured Split, Bushingless	Fuel Type	Natural Gas, Propane
Cylinder Head	Cast Iron	Fuel Injection	Electronic
Cylinder Liners	Cast Iron	Fuel Shut Off	Dual
Ignition	Coil Near Plug Solid State Inductive	NG Operating Fuel Pressure - in H ₂ O (kPa)	5 - 14 (1.2 - 3.5)
Piston Type	Cast Aluminum Flat Top	LP Operating Fuel Pressure - in H ₂ O (kPa)	7 - 14 (1.7 - 3.5)
Crankshaft Type	Forged Steel	Engine Electrical System	
Lifter Type	Hydraulic	System Voltage	12 VDC
Intake Valve Material	Stainless Steel	Battery Charger Alternator	35 A
Exhaust Valve Material	Stainless Steel	Battery Size	See Battery Index 01619705BY
Hardened Valve Seats	High Steel Iron Alloy	Battery Voltage	12 VDC
Engine Governing		Ground Polarity	Negative
Governor	Electronic		
Frequency Regulation (Steady State)	±0.25%		

ALTERNATOR SPECIFICATIONS

Standard Model	K0050124Y21	Standard Excitation	Synchronous Brushless
Poles	4	Bearings	Sealed Ball
Field Type	Revolving	Coupling	Direct via Flexible Disc
Insulation Class - Rotor	H	Prototype Short Circuit Test	Yes
Insulation Class - Stator	H	Voltage Regulator Type	Full Digital
Total Harmonic Distortion	<5% (3-Phase)	Number of Gensed Phases	All
Telephone Interference Factor (TIF)	<50	Regulation Accuracy (Steady State)	±0.25%

INSTALLER NOTES:

1. COMPLY WITH MANUFACTURERS INSTRUCTIONS TO ENSURE THAT ALL RRU'S RECEIVE ELECTRICAL POWER WITHIN 24 HOURS OF BEING REMOVED FROM THE MANUFACTURER'S PACKAGING.
2. DO NOT OPEN RRU PACKAGES IN THE RAIN.
3. ALL PIPES, BRACKETS, AND MISCELLANEOUS HARDWARE TO BE GALVANIZED UNLESS NOTED OTHERWISE.



1 GENERAC – SG050NA LPG GENERATOR
 SCALE: NOT TO SCALE

2 ANTENNA WITH RRU MOUNTING DETAIL
 SCALE: NOT TO SCALE

verizon
 7701 EAST TELECOM PARKWAY WING A-1
 TEMPLE TERRACE, FL 33637

CROWN CASTLE
 8000 AVALON BLVD, SUITE 700
 ALPHARETTA, GA 30009

towersource
 1080 HOLCOMB BRIDGE ROAD
 BUILDING 100, SUITE 350
 ROSWELL, GA 30076
 TEL: 678-990-2338 FAX: 678-990-2342

VERIZON SITE NUMBER:
228807

BU #: **846219**
FAIRGROUNDS

682 SOUTHWEST COMMERCE
 DRIVE
 LAKE CITY, FL 32025

EXISTING 185'-6" GUYED

ISSUED FOR:

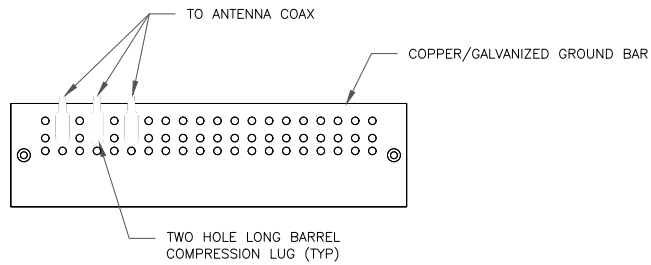
REV	DATE	DRWN	DESCRIPTION	DES./QA
0	02/04/22	SJH	FINAL	MDS



THIS ITEM HAS BEEN DIGITALLY SIGNED AND SEALED BY JAVAD K. PARSA, P.E. ON THE DATE ADJACENT TO THE SEAL. PRINTED COPIES OF THIS DOCUMENT ARE NOT CONSIDERED SIGNED AND SEALED AND THE SIGNATURE MUST BE VERIFIED ON ANY ELECTRONIC COPIES.
 IT IS A VIOLATION OF LAW FOR ANY PERSON, UNLESS THEY ARE ACTING UNDER THE DIRECTION OF A LICENSED PROFESSIONAL ENGINEER, TO ALTER THIS DOCUMENT.

SHEET NUMBER:
C-5

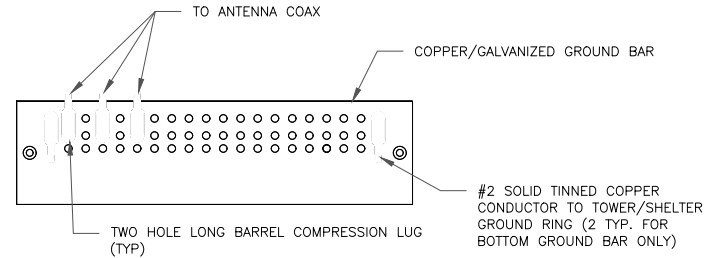
REVISION:
0



NOTES:

- DOUBLING UP "OR STACKING" OF CONNECTIONS IS NOT PERMITTED.
- EXTERIOR ANTIOXIDANT JOINT COMPOUND TO BE USED ON ALL EXTERIOR CONNECTIONS.
- GROUND BAR SHALL NOT BE ISOLATED FROM TOWER. MOUNT DIRECTLY TO ANTENNA MOUNT STEEL.

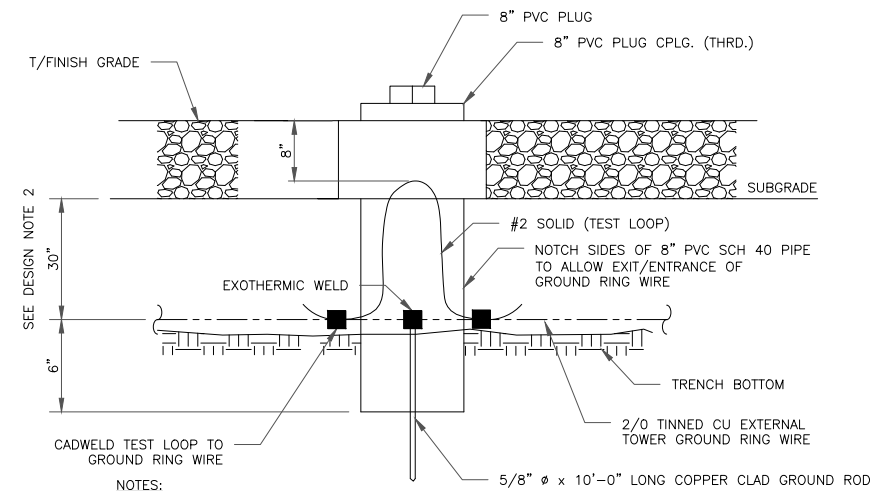
1 ANTENNA SECTOR GROUND BAR DETAIL
SCALE: NOT TO SCALE



NOTES:

- EXTERIOR ANTIOXIDANT JOINT COMPOUND TO BE USED ON ALL EXTERIOR CONNECTIONS.
- GROUND BAR SHALL NOT BE ISOLATED FROM TOWER. MOUNT DIRECTLY TO TOWER STEEL (TOWER ONLY).
- GROUND BAR SHALL BE ISOLATED FROM BUILDING OR SHELTER.

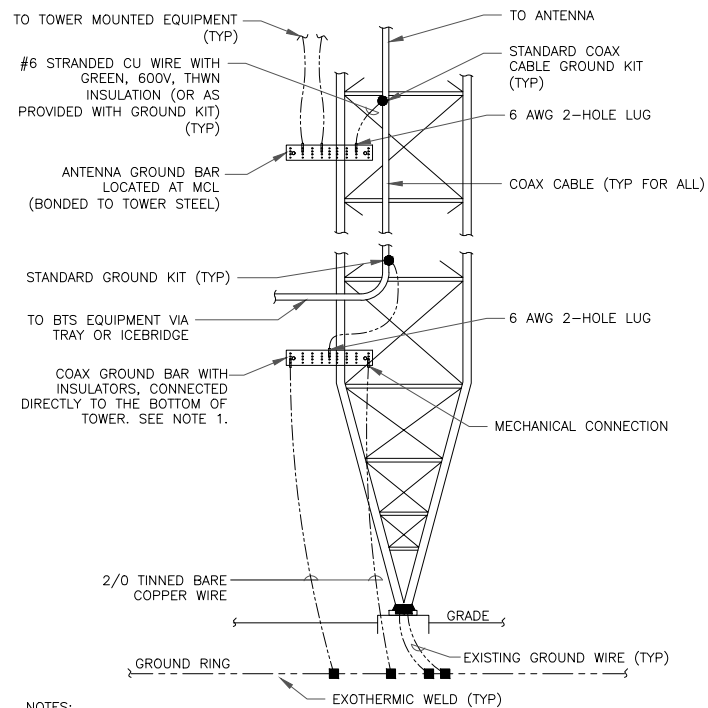
2 TOWER/SHELTER GROUND BAR DETAIL
SCALE: NOT TO SCALE



NOTES:

- GROUND ROD SHALL BE DRIVEN VERTICALLY, NOT TO EXCEED 45 DEGREES FROM THE VERTICAL
- GROUND WIRE SHALL BE MIN. 30" BELOW GRADE OR 6" BELOW FROST LINE. (WHICH EVER IS GREATER) AS PER N.E.C. ARTICLE 250-50(D)

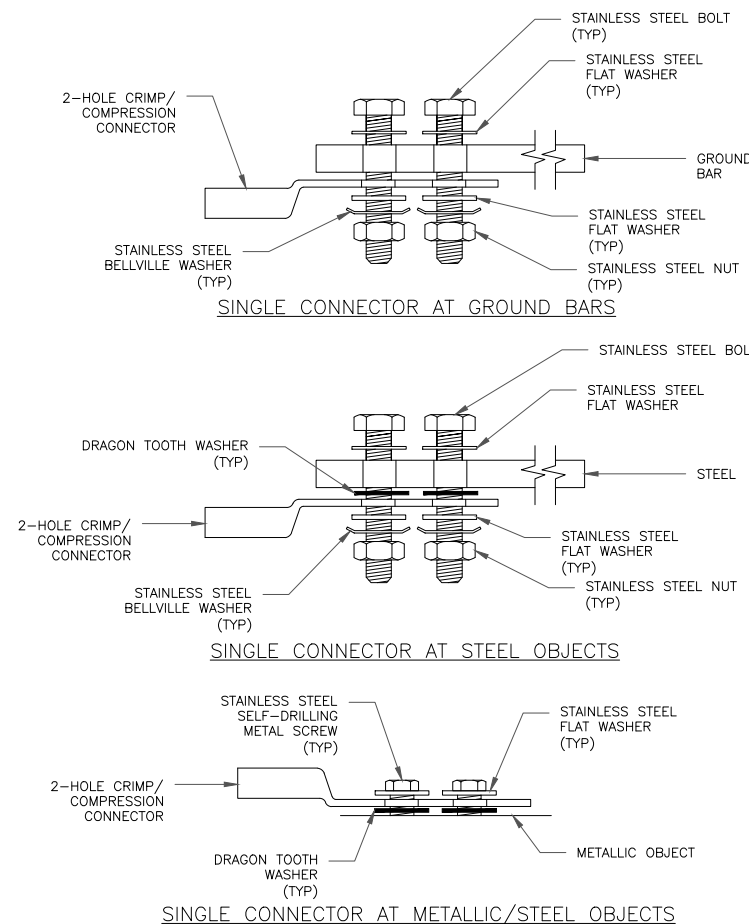
3 INSPECTION WELL DETAIL
SCALE: NOT TO SCALE



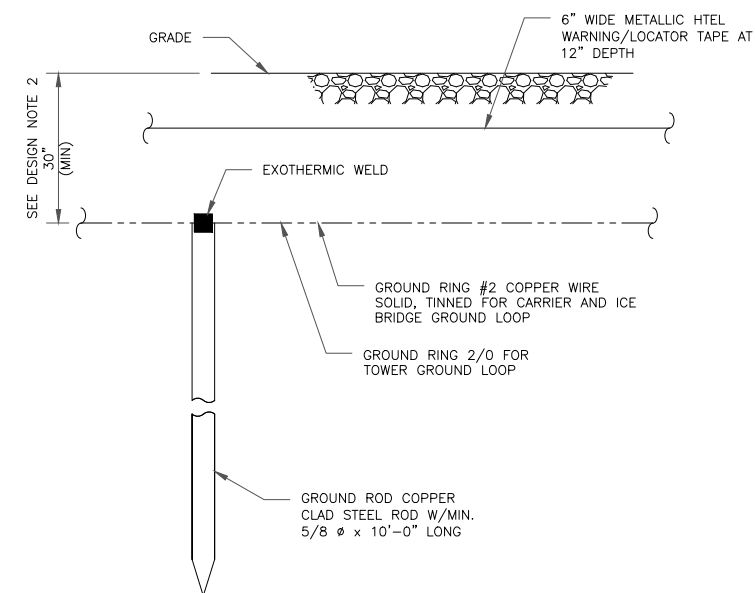
NOTES:

- NUMBER OF GROUNDING BARS MAY VARY DEPENDING ON THE TYPE OF TOWER, ANTENNA LOCATIONS AND CONNECTION ORIENTATION. COAXIAL CABLES EXCEEDING 200 FEET ON THE TOWER SHALL HAVE GROUND KITS AT THE MIDPOINT. PROVIDE AS REQUIRED.
- ONLY MECHANICAL CONNECTIONS ARE ALLOWED TO BE MADE TO CROWN CASTLE USA INC. TOWERS. ALL MECHANICAL CONNECTIONS SHALL BE TREATED WITH AN ANTI-OXIDANT COATING.
- ALL TOWER GROUNDING SYSTEMS SHALL COMPLY WITH THE REQUIREMENTS OF THE RECOGNIZED EDITION OF ANSI/TIA 222 AND NFPA 780.

4 TYPICAL ANTENNA CABLE GROUNDING
SCALE: NOT TO SCALE



5 HARDWARE DETAIL FOR EXTERIOR CONNECTIONS
SCALE: NOT TO SCALE



NOTES:

- GROUND ROD SHALL BE DRIVEN VERTICALLY, NOT TO EXCEED 45 DEGREES FROM THE VERTICAL
- GROUND WIRE SHALL BE MIN. 30" BELOW GRADE OR 6" BELOW FROST LINE. (WHICH EVER IS GREATER) AS PER N.E.C. ARTICLE 250-50(D)

6 GROUND ROD DETAIL
SCALE: NOT TO SCALE

verizon
7701 EAST TELECOM PARKWAY WING A-1
TEMPLE TERRACE, FL 33637

CROWN CASTLE
8000 AVALON BLVD, SUITE 700
ALPHARETTA, GA 30009

towersource
1080 HOLCOMB BRIDGE ROAD
BUILDING 100, SUITE 350
ROSWELL, GA 30076
TEL: 678-990-2338 FAX: 678-990-2342

VERIZON SITE NUMBER:
228807

BU #: 846219
FAIRGROUNDS

682 SOUTHWEST COMMERCE
DRIVE
LAKE CITY, FL 32025
EXISTING 185'-6" GUYED

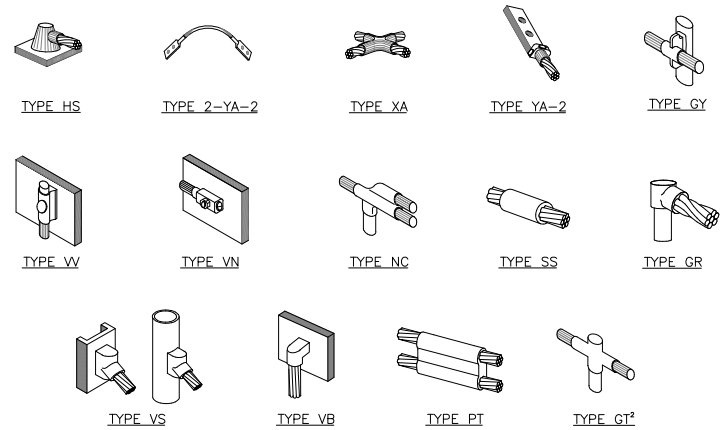
ISSUED FOR:

REV	DATE	DRWN	DESCRIPTION	DES/QA
0	02/04/22	SIH	FINAL	MDS



THIS ITEM HAS BEEN DIGITALLY SIGNED AND SEALED BY JAVAD K. PARSA, P.E. ON THE DATE ADJACENT TO THE SEAL. PRINTED COPIES OF THIS DOCUMENT ARE NOT CONSIDERED SIGNED AND SEALED AND THE SIGNATURE MUST BE VERIFIED ON ANY ELECTRONIC COPIES.
IT IS A VIOLATION OF LAW FOR ANY PERSON, UNLESS THEY ARE ACTING UNDER THE DIRECTION OF A LICENSED PROFESSIONAL ENGINEER, TO ALTER THIS DOCUMENT.

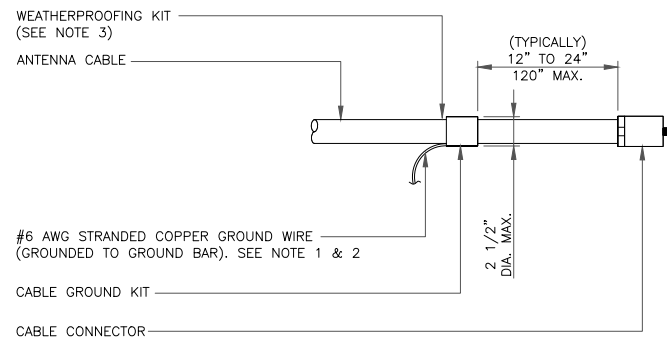
SHEET NUMBER: **G-1** REVISION: **0**



NOTE:

1. ERICO EXOTHERMIC "MOLD TYPES" SHOWN HERE ARE EXAMPLES. CONSULT WITH CONSTRUCTION MANAGER FOR SPECIFIC MOLDS TO BE USED FOR THIS PROJECT.
2. MOLD TYPE ONLY TO BE USED BELOW GRADE WHEN CONNECTING GROUND RING TO GROUND ROD.

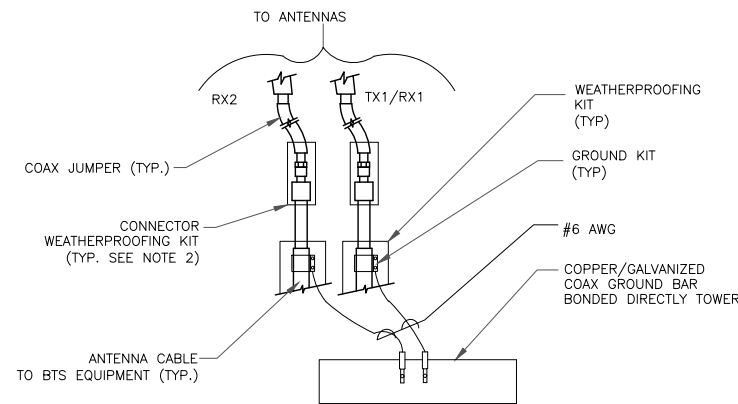
1 CADWELD GROUNDING CONNECTIONS
SCALE: NOT TO SCALE



NOTES:

1. DO NOT INSTALL CABLE GROUND KIT AT A BEND AND ALWAYS DIRECT GROUND WIRE DOWN TO GROUND BAR.
2. GROUNDING KIT SHALL BE TYPE AND PART NUMBER AS SUPPLIED OR RECOMMENDED BY CABLE MANUFACTURER.
3. WEATHER PROOFING SHALL BE TWO-PART TAPE KIT. COLD SHRINK SHALL NOT BE USED.

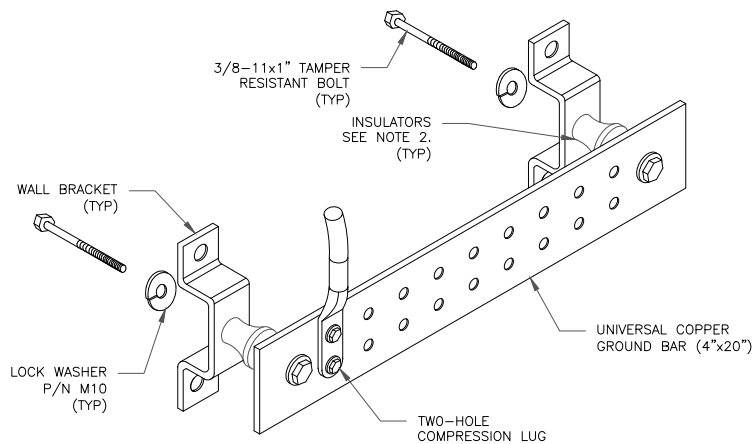
3 CABLE GROUND KIT CONNECTION
SCALE: NOT TO SCALE



NOTES:

1. DO NOT INSTALL CABLE GROUND KIT AT A BEND AND ALWAYS DIRECT GROUND WIRE DOWN TO ANTENNA GROUND BAR.
2. WEATHER PROOFING SHALL BE TWO-PART TAPE KIT. COLD SHRINK SHALL NOT BE USED.

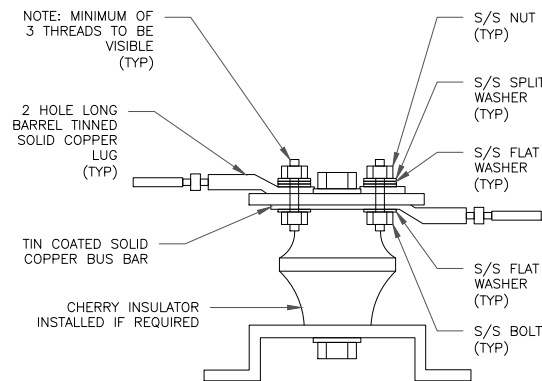
4 GROUND CABLE CONNECTION
SCALE: NOT TO SCALE



NOTES:

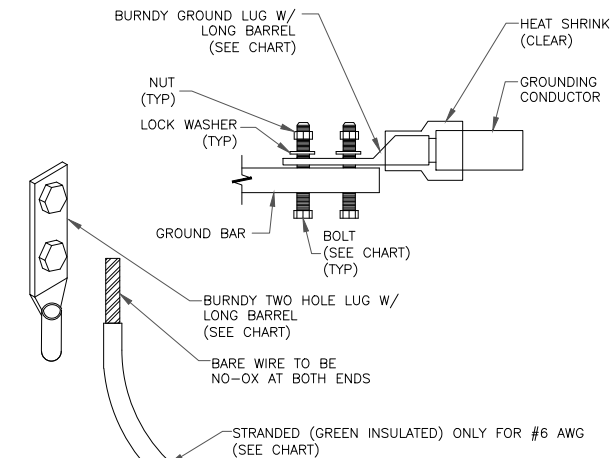
1. DOWN LEAD (HOME RUN) CONDUCTORS ARE NOT TO BE INSTALLED ON CROWN CASTLE USA INC. TOWER, PER THE GROUNDING DOWN CONDUCTOR POLICY GAS-STD-10091. NO MODIFICATION OR DRILLING TO TOWER STEEL IS ALLOWED IN ANY FORM OR FASHION. CAD-WELDING ON THE TOWER AND/OR IN THE AIR ARE NOT PERMITTED.
2. OMIT INSULATOR WHEN MOUNTING TO TOWER STEEL OR PLATFORM STEEL. USE INSULATORS WHEN ATTACHING TO BUILDING OR SHELTERS.

6 GROUND BAR DETAIL
SCALE: NOT TO SCALE



7 LUG DETAIL
SCALE: NOT TO SCALE

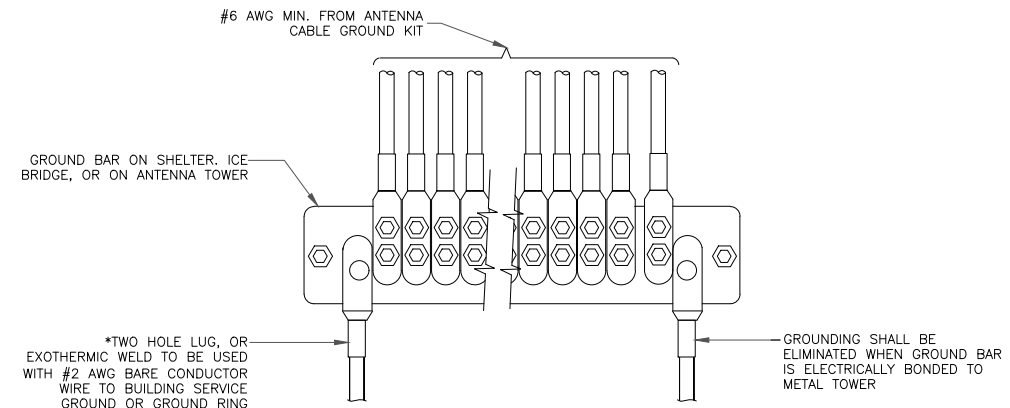
WIRE SIZE	BURNDY LUG	BOLT SIZE
#6 AWG GREEN INSULATED	YA6C-2TC38	3/8" - 16 NC S 2 BOLT
#2 AWG SOLID TINNED	YA3C-2TC38	3/8" - 16 NC S 2 BOLT
#2 AWG STRANDED	YA2C-2TC38	3/8" - 16 NC S 2 BOLT
#2/0 AWG STRANDED	YA26-2TC38	3/8" - 16 NC S 2 BOLT
#4/0 AWG STRANDED	YA28-2N	1/2" - 16 NC S 2 BOLT



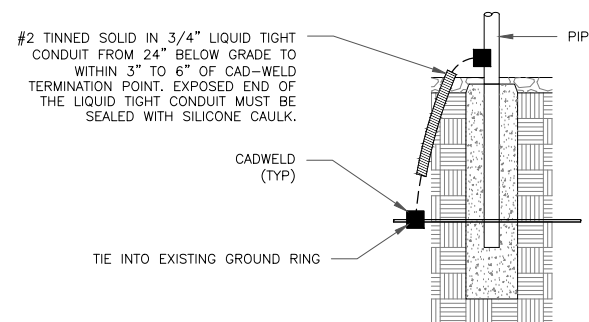
NOTES:

1. ALL GROUNDING LUGS ARE TO BE INSTALLED PER MANUFACTURER'S SPECIFICATIONS. ALL HARDWARE BOLTS, NUTS, LOCK WASHERS SHALL BE STAINLESS STEEL. ALL HARDWARE ARE TO BE AS FOLLOWS: BOLT, FLAT WASHER, GROUND BAR, GROUND LUG, FLAT WASHER AND NUT.

2 MECHANICAL LUG CONNECTION
SCALE: NOT TO SCALE



5 GROUNDWIRE INSTALLATION
SCALE: NOT TO SCALE



8 TRANSITIONING GROUND DETAIL
SCALE: NOT TO SCALE



VERIZON SITE NUMBER:
228807

BU #: **846219**
FAIRGROUNDS

682 SOUTHWEST COMMERCE
DRIVE
LAKE CITY, FL 32025

EXISTING 185'-6" GUYED

ISSUED FOR:

REV	DATE	DRWN	DESCRIPTION	DES/QA
0	02/04/22	SIH	FINAL	MDS



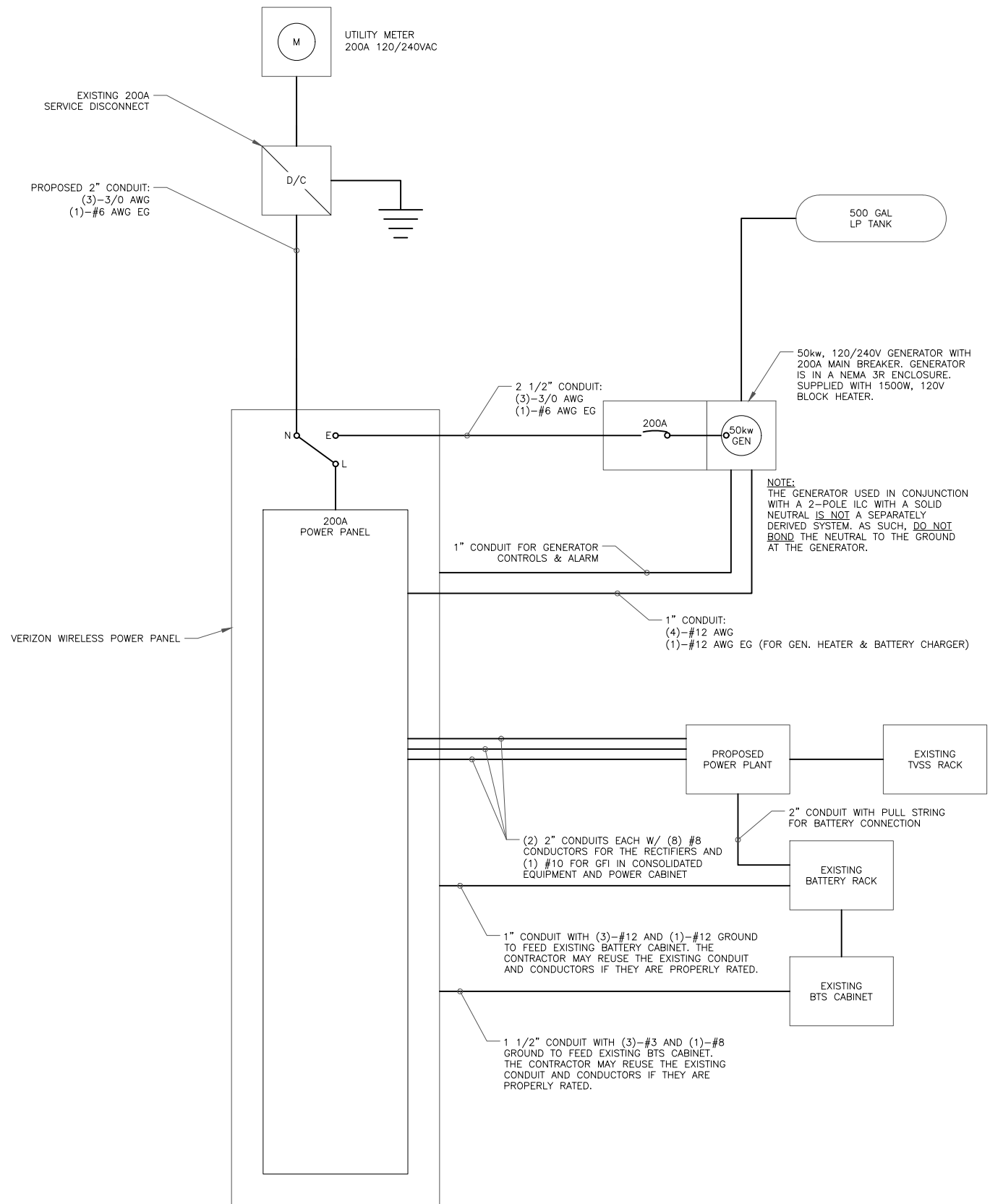
THIS ITEM HAS BEEN DIGITALLY SIGNED AND SEALED BY JAVAD K. PARSA, P.E. ON THE DATE ADJACENT TO THE SEAL. PRINTED COPIES OF THIS DOCUMENT ARE NOT CONSIDERED SIGNED AND SEALED AND THE SIGNATURE MUST BE VERIFIED ON ANY ELECTRONIC COPIES.
IT IS A VIOLATION OF LAW FOR ANY PERSON, UNLESS THEY ARE ACTING UNDER THE DIRECTION OF A LICENSED PROFESSIONAL ENGINEER, TO ALTER THIS DOCUMENT.

SHEET NUMBER:

G-2

REVISION:

0



1 ONE-LINE ELECTRICAL DIAGRAM
SCALE: NOT TO SCALE

200A 120/240V 1Ø 3W VERIZON POWER PANEL SCHEDULE

LOAD DESCRIPTION	TRIP	CKT#	PHASE	CKT#	TRIP	LOAD DESCRIPTION
RECTIFIER #1	40A	1	A	2	40A	RECTIFIER #2
		3	B	4		
RECTIFIER #3	40A	5	A	6	40A	RECTIFIER #4
		7	B	8		
RECTIFIER #5	40A	9	A	10	40A	RECTIFIER #6
		11	B	12		
RECTIFIER #7	40A	13	A	14	60A	POWER PLANT
		15	B	16		
BTS CABINET	100A	17	A	18	200A	GENERATOR
		19	B	20		
INTERIOR & EXTERIOR LIGHTS	20A	21	A	22	20A	EXTERIOR RECEPTACLES
HALON ALARM PANEL		23	B	24		RECEPTACLES
AC 3 WALL MOUNT	30A	25	A	26	20A	DSX FRAME RECEPTACLE
AC 3 WALL MOUNT		27	B	28		
COMP 1	30A	29	A	30	20A	ATTU 2
COMP 1		31	B	32		ATTU 2
AC CONTROL PANEL	20A	33	A	34	20A	COMP 2
		35	B	36		COMP 2
		37	A	38	20A	PUMP
		39	B	40		PUMP
VORTEX	20A	41	A	42	-	

2 PANEL SCHEDULE
SCALE: NOT TO SCALE

verizon
7701 EAST TELECOM PARKWAY WING A-1
TEMPLE TERRACE, FL 33637

CROWN CASTLE
8000 AVALON BLVD, SUITE 700
ALPHARETTA, GA 30009

towersource
1080 HOLCOMB BRIDGE ROAD
BUILDING 100, SUITE 350
ROSWELL, GA 30076
TEL: 678-990-2338 FAX: 678-990-2342

VERIZON SITE NUMBER:
228807

BU #: **846219**
FAIRGROUNDS

682 SOUTHWEST COMMERCE
DRIVE
LAKE CITY, FL 32025

EXISTING 185'-6" GUYED

ISSUED FOR:

REV	DATE	DRWN	DESCRIPTION	DES/QA
0	02/04/22	SJH	FINAL	MDS



THIS ITEM HAS BEEN DIGITALLY SIGNED AND SEALED BY JAVAD K. PARSA, P.E. ON THE DATE ADJACENT TO THE SEAL. PRINTED COPIES OF THIS DOCUMENT ARE NOT CONSIDERED SIGNED AND SEALED AND THE SIGNATURE MUST BE VERIFIED ON ANY ELECTRONIC COPIES.

IT IS A VIOLATION OF LAW FOR ANY PERSON, UNLESS THEY ARE ACTING UNDER THE DIRECTION OF A LICENSED PROFESSIONAL ENGINEER, TO ALTER THIS DOCUMENT.

SHEET NUMBER: **E-1** REVISION: **0**