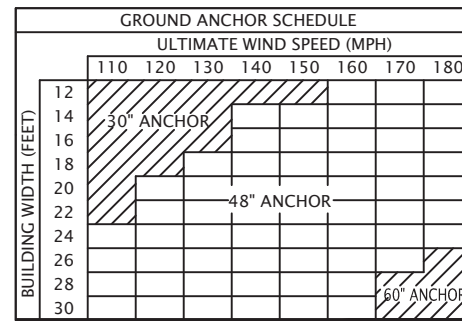


# DESIGN CRITERIA & GENERAL NOTES

## GENERAL NOTES EXPOSURE B (150 mph)

- THESE PLANS PERTAIN ONLY TO THE STRUCTURE, INCLUDING MAIN WIND FORCE RESISTING SYSTEM, COMPONENTS AND CLADDING, AND BASE RAIL ANCHORAGE. OTHER DESIGN ISSUES, INCLUDING BUT NOT LIMITED TO PLUMBING, ELECTRICAL, INGRESS/EGRESS, PROPERTY SET-BACKS, FINISH FLOOR ELEVATIONS AND SLOPE, OR OTHER LOCAL ZONING REQUIREMENTS ARE THE RESPONSIBILITY OF OTHERS.
- THESE STRUCTURES ARE DESIGNED AS NON-HABITABLE UTILITY/STORAGE BUILDINGS (RISK CATEGORY I) CAPABLE OF SUPPORTING DEAD LOAD OF THE STRUCTURE AND APPLICABLE LIVE AND WIND LOADS. IMPROVEMENTS NOT SPECIFICALLY ADDRESSES HEREIN, INCLUDING DOORS, WINDOWS, OR OTHER COMPONENTS NOT LISTED IN THE FBC APPROVED PRODUCTS LIST (THIS SHEET), AND NOT PROVIDED AND INSTALLED BY ALL-METAL BUILDINGS LLC., WHICH EXERT ADDITIONAL LOADS ON THE STRUCTURE SHALL BE AT THE OWNER'S RISK. KEN FRINK, P.E. SHALL NOT BE RESPONSIBLE FOR STRUCTURAL DAMAGE OR FAILURE DUE TO THE APPLICATION OF ADDITIONAL LOADS.
- ALL STEEL TUBING SHALL BE 50 KSI GALVANIZED STEEL. ALL FASTENERS SHALL BE GALVANIZED OR STAINLESS STEEL OR ZINC PLATED.
- ALL COMPONENTS AND CLADDING SHALL BE INSTALLED ACCORDING TO MANUFACTURER'S INSTALLATION INSTRUCTIONS, AND SHALL MEET THE DESIGN PRESSURES REQUIRED BY THE FLORIDA BUILDING CODE (FBC) AT THE LOCATION OF THE BUILDING WITHIN THE STATE OF FLORIDA.
- ALL FIELD FRAMING CONNECTIONS SHALL BE #12-14 X 3/4" SELF DRILLING SCREWS WITHOUT CONTROL SEAL WASHER. ALL SHOP FRAMING CONNECTIONS SHALL BE WELDED.
- CONCRETE SHALL HAVE A MINIMUM COMPRESSIVE STRENGTH OF 2500 PSI AT 28 DAYS. THE REINFORCING STEEL SHALL BE MINIMUM GRADE 40. CONCRETE SLAB FOUNDATIONS SHALL BE REINFORCED WITH 6X6-W1.4XW1.4 WELDED WIRE FABRIC COMPLYING WITH ASTM A 185, OR WITH SYNTHETIC FIBRE REINFORCEMENT COMPLYING WITH ASTM C1116.
- BASE RAIL GROUND ANCHOR REQUIREMENTS: ONE WITHIN 6" OF EVERY POST LOCATION, AND BOTH SIDES OF OPENINGS WHERE BASE RAIL IS ABSENT. GROUND ANCHORS ARE NOT REQUIRED FOR CONCRETE FOOTING AND/OR CONCRETE SLAB CONSTRUCTION. SEE GROUND ANCHOR SCHEDULE (THIS SHEET) FOR SPECIFIC TYPE GROUND ANCHOR REQUIREMENTS.
- CONCRETE ANCHORS SHALL BE TAPCON REDHEAD LDT 1/2" X 5" OR EQUIVALENT OR WEJHT ANKR-TITE MODEL AT1252, OR SLEEVE ANCHOR MODEL HSA 1260, OR EQUIVALENT.

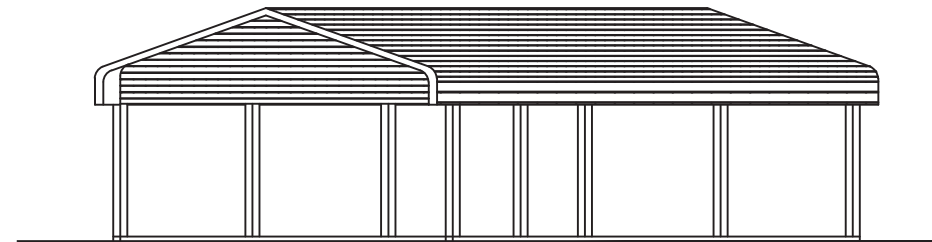
- POST/RAFTER BRACING: BRACE ON EVERY POST/RAFTER CONNECTION, EXCEPT FOR END WALLS.
- SLAB FOUNDATION SUBGRADE SOILS SHALL BE TERMITE TREATED AND COVERED WITH 6 MIL VAPOR RETARDER PER SECTION R318.1 OF THE FBC EIGHTH EDITION (2023) - RESIDENTIAL, AND SECTION 1816.1 OF THE FBC EIGHTH EDITION (2023) - BUILDING. MINIMUM ALLOWABLE FOUNDATION SOIL CONTACT BEARING PRESSURE F 2,000 PSF IS ASSUMED.
- GA. FRAMING: 2-1/2" X 2-1/2" TUBE STEEL (TS) WITH 2-1/4" X 2-1/4" TS NIPPLES.  
12 GA. FRAMING: 2-1/4" X 2-1/4" TS WITH 2" X 2" TS NIPPLES.
- ENCLOSED AREAS REQUIRING FLOOD OPENINGS MUST HAVE A MINIMUM OF (2) OPENINGS ON EXTERIOR WALLS. OPENINGS SHOULD BE INSTALLED ON AT LEAST (2) SIDES OF ENCLOSED AREA, WITH BASE OF OPENINGS SET WITHIN 1-FOOT OF THE HIGHER OF INTERIOR OR EXTERIOR GRADE. REQUIRED TOTAL NUMBER OF FLOOD VENTS NOTED IN THE FBC APPROVED PRODUCTS LIST SHALL BE BASED ON ONE (1) FLOOD VENT PER EVERY 305 SQUARE FEET OF ENCLOSED AREA. SEE TYPICAL FLOOD VENT FRAMING PLAN, SHEET 5 OF 6.



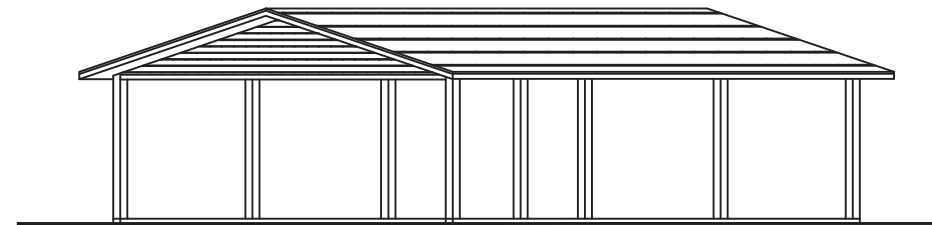
ANCHORAGE DETAILS AS SHOWN ON SHEET 10 OF 10  
THIS IS TO CERTIFY THAT THE CALCULATIONS AND SPECIFICATIONS HEREIN HAVE BEEN PREPARED BY THE UNDERSIGNED PROFESSIONAL ARCHITECT, AND ARE IN ACCORDANCE WITH THE REQUIREMENTS OF SECTION 1609 OF THE FLORIDA BUILDING CODE, EIGHTH EDITION (2023).

FBC APPROVED PRODUCTS LIST				MAXIMUM ALLOWABLE WIND SPEEDS		
PRODUCT CATEGORY	SUB CATEGORY	MANUFACTURER	APPROVAL No.	OPEN	ENCLOSED	PARTIALLY ENCLOSED
STRUCTURAL COMPONENTS	ROOF DECK	USA STEEL BUILDINGS INC, R PANEL	FL13364.1	N/A	-	-
STRUCTURAL COMPONENTS	STRUCTURAL WALL	USA STEEL BUILDINGS INC, R PANEL	FL13364.1	N/A	-	-
STRUCTURAL COMPONENTS	FLOOD VENT	CRAWL SPACE DOOR SYSTEMS, INC. 16X8 FLOOD VENT	FL29622.1	N/A	N/A	N/A
EXTERIOR DOORS	SWINGING	ELIXIR DOOR AND METAL COMPANY SERIES 402-14	FL17996.3-R1	N/A	156	138
EXTERIOR DOORS	SWINGING	ELIXIR DOOR AND METAL COMPANY SERIES 407	FL17996.5-R1	N/A	165	147
EXTERIOR DOORS	SWINGING	POCAHONTAS 36" X 80" ENTRY DOOR	FL12903.1	N/A	-	-
EXTERIOR DOORS	ROLL-UP	ASTA INDUSTRIES INC. MODEL 203	FL8888.1-R6	N/A	180	174
EXTERIOR DOORS	ROLL-UP	JANUS INTERNATIONAL GROUP, LLC. SERIES 3100: +40/-40	FL21450.3	N/A	-	-
EXTERIOR DOORS	ROLL-UP	JANUS INTERNATIONAL GROUP, LLC. SERIES 3100: +42.5/-45	FL21450.4	N/A	-	-
EXTERIOR DOORS	ROLL-UP	JANUS INTERNATIONAL GROUP, LLC. SERIES 750: MAX 8'X12' +24.4/-27	FL21450.9	N/A	-	-
EXTERIOR DOORS	ROLL-UP	JANUS INTERNATIONAL GROUP, LLC. SERIES 750: MAX 10'X12' +19.4/-22.7	FL21450.1	N/A	-	-
WINDOWS	SINGLE HUNG	MI WINDOWS AND DOORS MODEL 185SH	FL17499.1-R8	N/A	175	157
WINDOWS	SINGLE HUNG	POCAHONTAS 100 VS VERTICAL SLIDING WINDOWS	FL12940.1	N/A	-	-

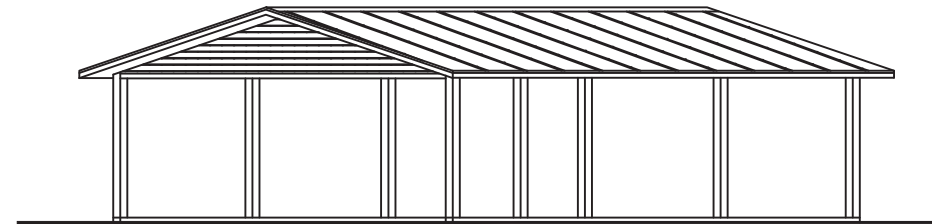
- NOTES:  
1. DOORS AND WINDOWS SHOWN MAY BE SUBSTITUTED FOR DIFFERENT PRODUCT LINES AND/OR MODELS PROVIDED THE FOLLOWING CONDITIONS ARE MET.  
A. PRODUCT SHALL HAVE A VALID FBC PRODUCT APPROVAL  
B. COMPONENTS ARE INSTALLED ACCORDING TO MANUFACTURER'S INSTALLATION REQUIREMENTS  
2. FRAMING CONNECTIONS FOR DOOR AND WINDOW FRAMES REMAIN THE SAME FOR SUBSTITUTED PRODUCTS. HEADERS AND WINDOW RAILS MAY BE RAISED OR LOWERED AS NECESSARY TO ACCOMMODATE SUBSTITUTED PRODUCT.



**BOW EAVE RAFTER GABLE END ELEVATION - HORIZONTAL ROOF**  
SCALE: 1/8" = 1'-0" (SHOWN WITH GABLE END FRAMING OPTION)



**BOX EAVE RAFTER GABLE END ELEVATION - HORIZONTAL ROOF**  
SCALE: 1/8" = 1'-0" (SHOWN WITH GABLE END FRAMING OPTION)



**BOX EAVE RAFTER GABLE END ELEVATION - VERTICAL ROOF**  
SCALE: 1/8" = 1'-0" (SHOWN WITH GABLE END FRAMING OPTION)

RISK CATEGORY	WIND EXPOSURE CATEGORY	ULTIMATE WIND SPEED (MPH)	NOMINAL WIND SPEED (MPH)	MAXIMUM POST/RAFTER SPACING (FEET)	AVERAGE FASTENER SPACING ON-CENTERS ALONG RAFTERS OR PURLINS, AND POSTS OR GIRTS (INCHES)	
					INTERIOR POSTS/RAFTERS	END POSTS/RAFTERS
I	B	110 TO 150	89 TO 116	5.0	6	6
		151 TO 180	117 TO 139	4.0	6	6

NOTES:  
1. SPECIFICATIONS APPLICABLE TO 26/28 GAUGE METAL ROOF AND WALL PANELS FASTENED DIRECTLY TO ROOF AND WALL PANELS FASTENED DIRECTLY TO 12 OR 14 GAUGE STEEL TUBE FRAMING, OR 18 GAUGE HAT CHANNEL ROOF PURLINS.  
2. SPECIFICATIONS APPLICABLE ONLY FOR MEAN ROOF HEIGHT OF 20 FEET OR LESS, AND ROOF SLOPES OF 7° TO 27° (1.5:12 TO 6:12 PITCH). SPACING REQUIREMENTS FOR OTHER ROOF HEIGHTS AND/OR SLOPES MAY VARY.

DRAWING ISSUE  
DATE:  
REVISED:

MANUFACTURER



1-229-253-1187

PROJECT  
A NEW DETACHED METAL STORAGE BUILDING FOR

SHEET TITLE:  
DESIGN CRITERIA, GENERAL NOTES, FBC APPROVED PRODUCTS LIST, GROUND ANCHOR SCHEDULE, RAFTER SPACING TABLE, AND ELEVATIONS

SHEET NUMBER 1 OF 10

COVER

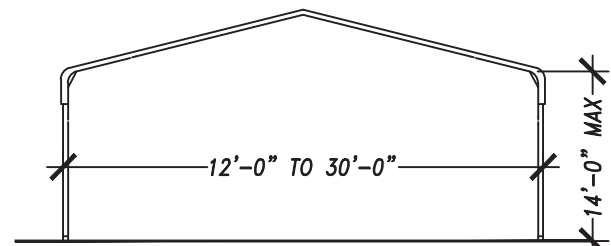
Engineer:  
Ken Frink, P.E.  
1301 SE 4th Ave, Crystal River, FL 34429  
Ph. 352-697-0888  
FL Reg. Eng. 47750

This item has been digitally signed and sealed by Ken Frink on the date indicated here. Printed copies of this document are not considered signed and sealed and the signature must be verified on any electronic copies.

SEAL

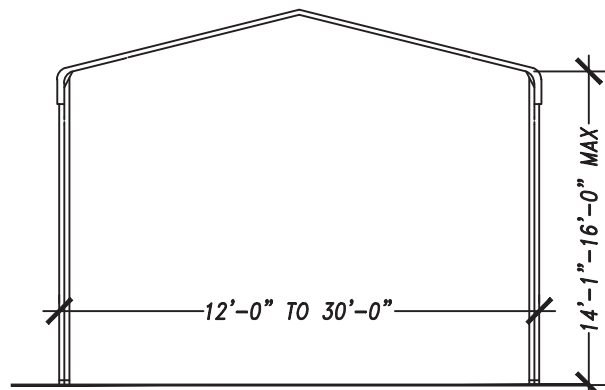


Ken Frink, P.E.



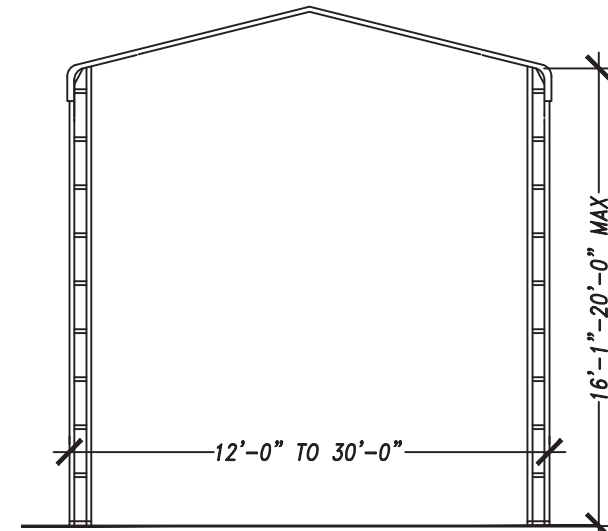
TYPICAL SINGLE LEG END ELEVATION

SCALE: 1/8" = 1'-0"



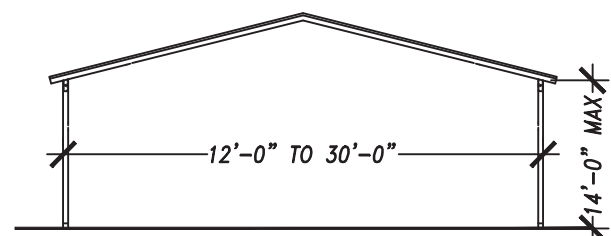
TYPICAL DOUBLE LEG END ELEVATION

SCALE: 1/8" = 1'-0"



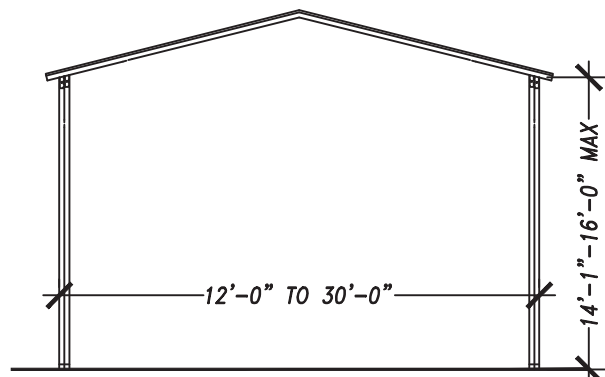
TYPICAL LADDER LEG END ELEVATION

SCALE: 1/8" = 1'-0"



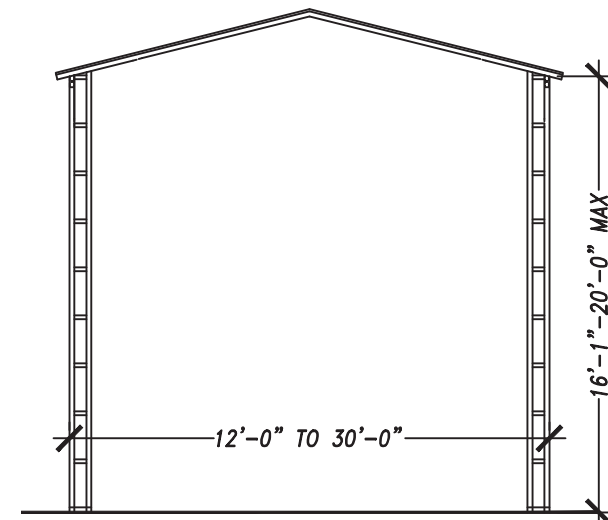
TYPICAL SINGLE LEG END ELEVATION

SCALE: 1/8" = 1'-0"



TYPICAL DOUBLE LEG END ELEVATION

SCALE: 1/8" = 1'-0"



TYPICAL LADDER LEG END ELEVATION

SCALE: 1/8" = 1'-0"

DRAWING ISSUE  
DATE:  
REVISED:

MANUFACTURER



1-229-253-1187

PROJECT  
A NEW DETACHED METAL  
STORAGE BUILDING FOR

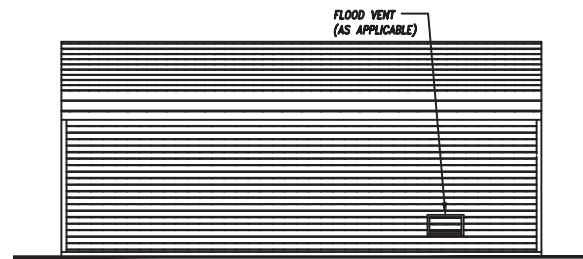
SHEET TITLE:  
TYP. CARPORT LEG REFERENCE GUIDE

SHEET NUMBER 2 OF 10

A0

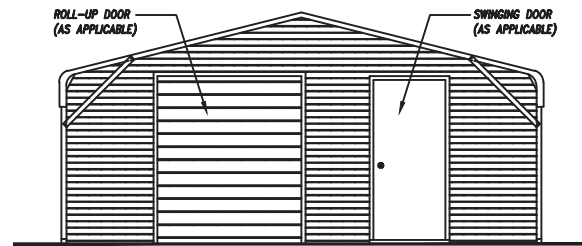
Architect:  
Ken Frink, P.E.  
FL. REG. ENG. 47750  
1301 SE. 4th Ave.  
Crystal River, Florida 34429  
352-697-0888

*This item has been digitally signed and sealed by Ken Frink on the date indicated here. Printed copies of this document are not considered signed and sealed and the signature must be verified on any electronic copies.*



TYPICAL SIDE ELEVATION

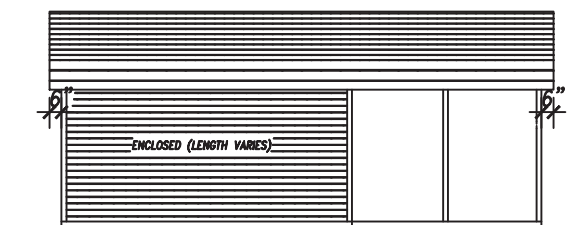
SCALE: 1/8" = 1'-0"



TYPICAL END ELEVATION

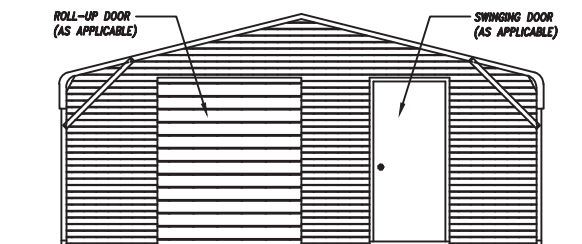
SCALE: 1/8" = 1'-0"

**BOW FRAME ENCLOSED BUILDING - HORIZONTAL ROOF**



TYPICAL SIDE ELEVATION

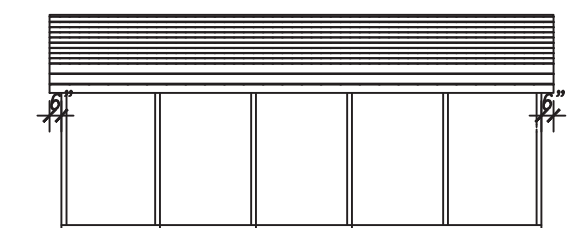
SCALE: 1/8" = 1'-0"



TYPICAL END ELEVATION

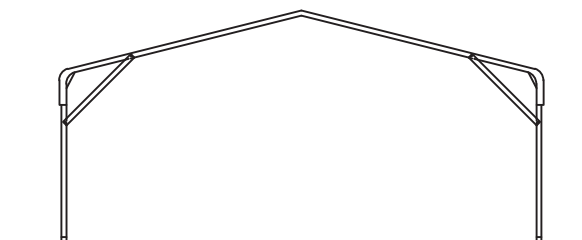
SCALE: 1/8" = 1'-0"

**BOW FRAME RAFTER PARTIALLY ENCLOSED - HORIZONTAL ROOF**



TYPICAL SIDE ELEVATION

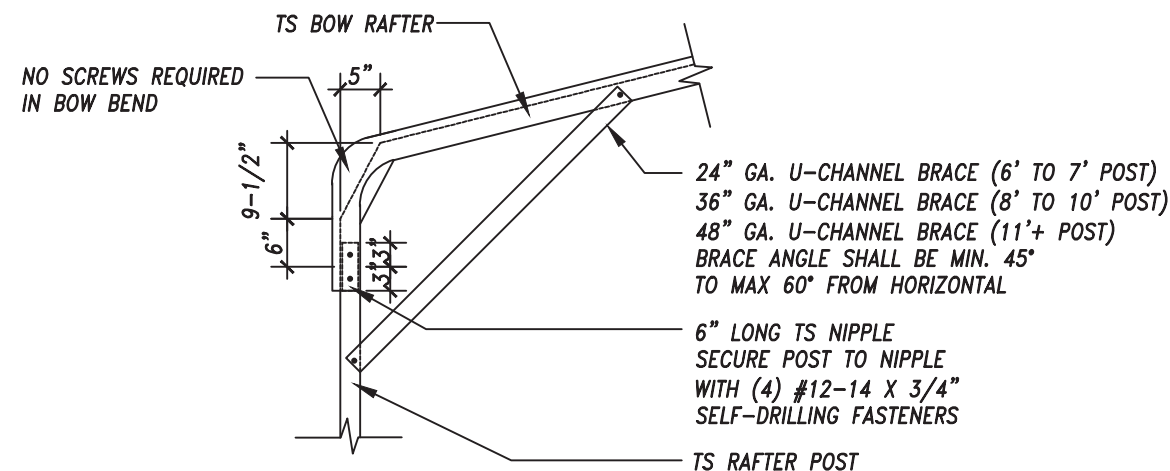
SCALE: 1/8" = 1'-0"



TYPICAL END ELEVATION

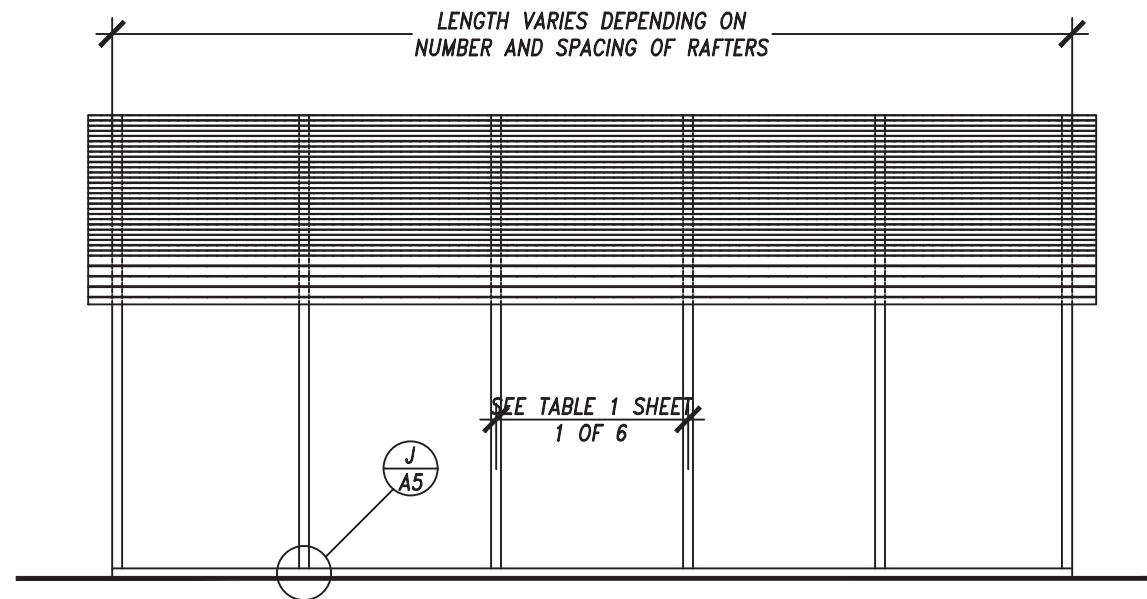
SCALE: 1/8" = 1'-0"

**BOW FRAME RAFTER OPEN CARPORT - HORIZONTAL ROOF**



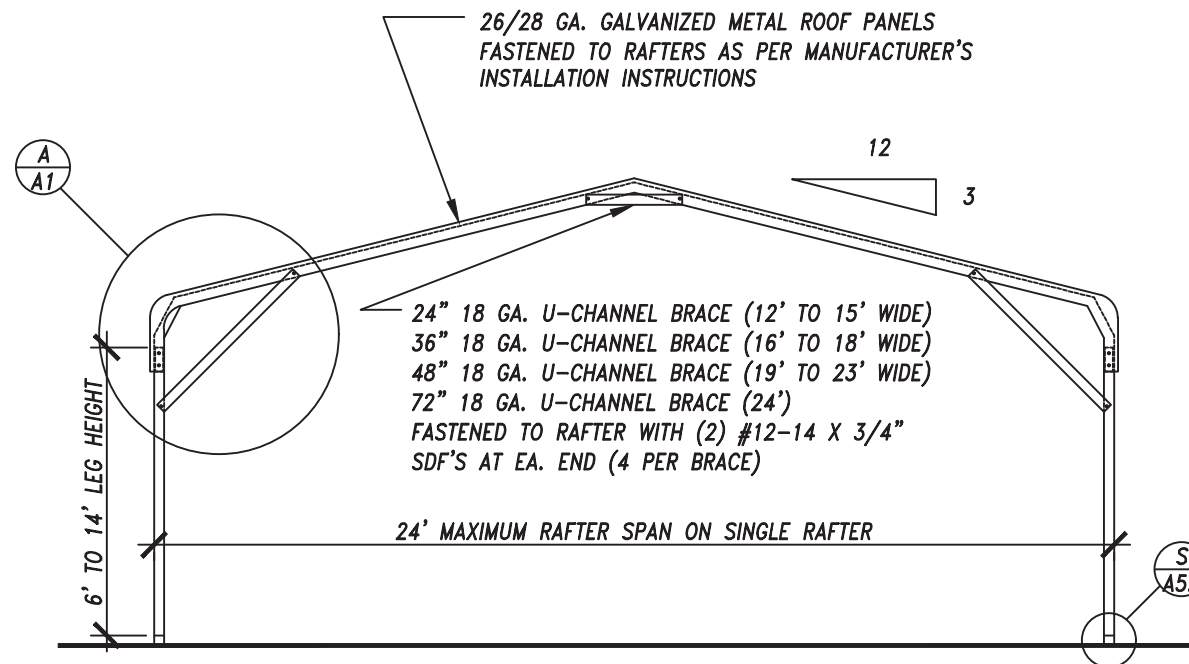
BOW RAFTER/POST DETAIL A/A1

SCALE: 1/2" = 1'-0"



BOW FRAME RAFTER/POST FRAMING PLAN

SCALE: 1/4" = 1'-0"



BOW FRAME INTERIOR RAFTER/POST FRAME SECTION

SCALE: 1/4" = 1'-0"

DRAWING ISSUE  
DATE:  
REVISED:  
MANUFACTURER



1-229-253-1187

PROJECT  
A NEW DETACHED METAL  
STORAGE BUILDING FOR

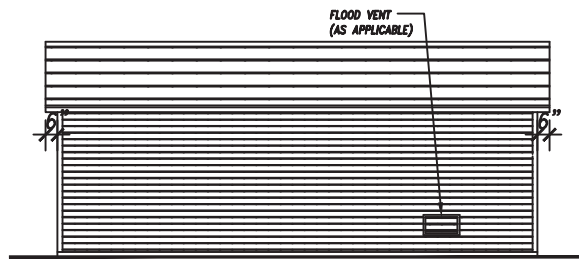
SHEET TITLE:  
TYP. BOW FRAME SECTION, POST/RAFTER  
FRAMING PLAN, TYP. RAFTER/POST  
CONNECTION DETAIL, AND TYP. ELEVATIONS

SHEET NUMBER 3 OF 10

A1

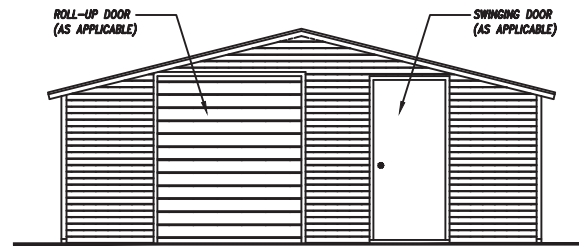
Architect:  
Ken Frink, P.E.  
FL. REG. ENG. 47750  
1301 SE. 4th Ave.  
Crystal River, Florida 34429  
352-697-0888

This item has been digitally signed and sealed by Ken Frink on the date indicated here. Printed copies of this document are not considered signed and sealed and the signature must be verified on any electronic copies.



TYPICAL SIDE ELEVATION

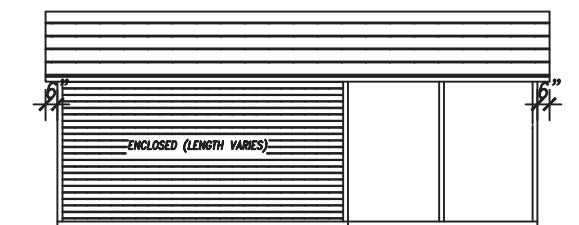
SCALE: 1/8" = 1'-0"



TYPICAL END ELEVATION

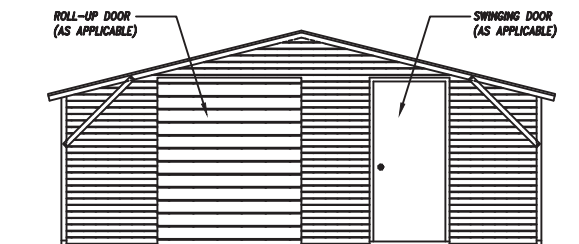
SCALE: 1/8" = 1'-0"

BOX EAVE FRAME RAFTER ENCLOSED BUILDING - HORIZONTAL ROOF



TYPICAL SIDE ELEVATION

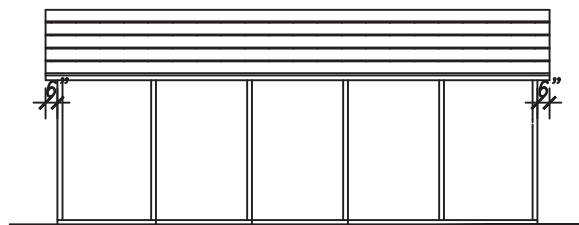
SCALE: 1/8" = 1'-0"



TYPICAL END ELEVATION

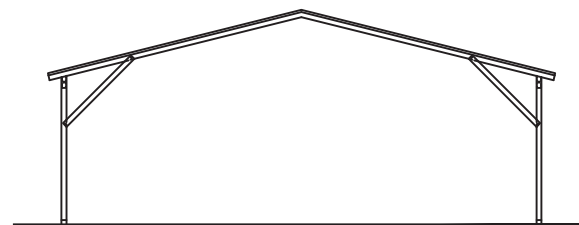
SCALE: 1/8" = 1'-0"

BOX EAVE FRAME RAFTER PARTIALLY ENCLOSED - HORIZONTAL ROOF



TYPICAL SIDE ELEVATION

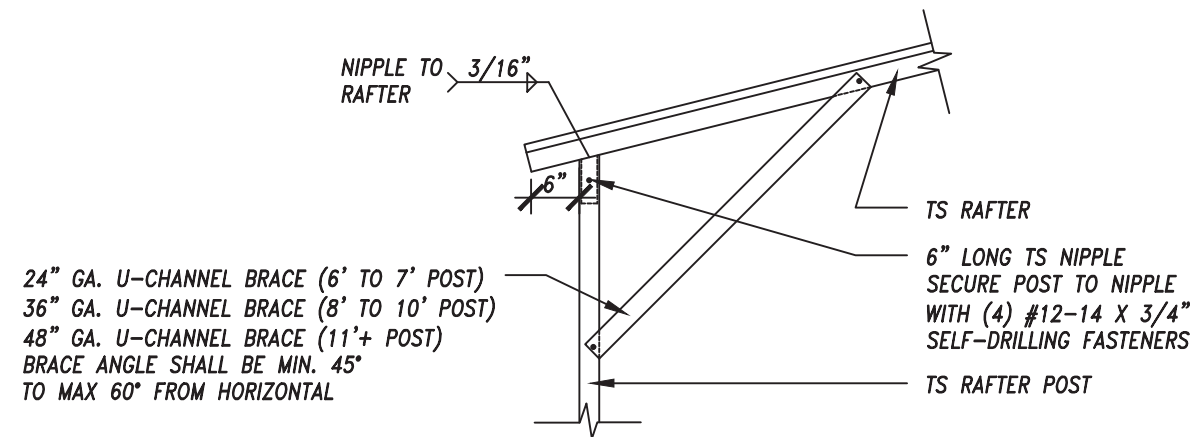
SCALE: 1/8" = 1'-0"



TYPICAL END ELEVATION

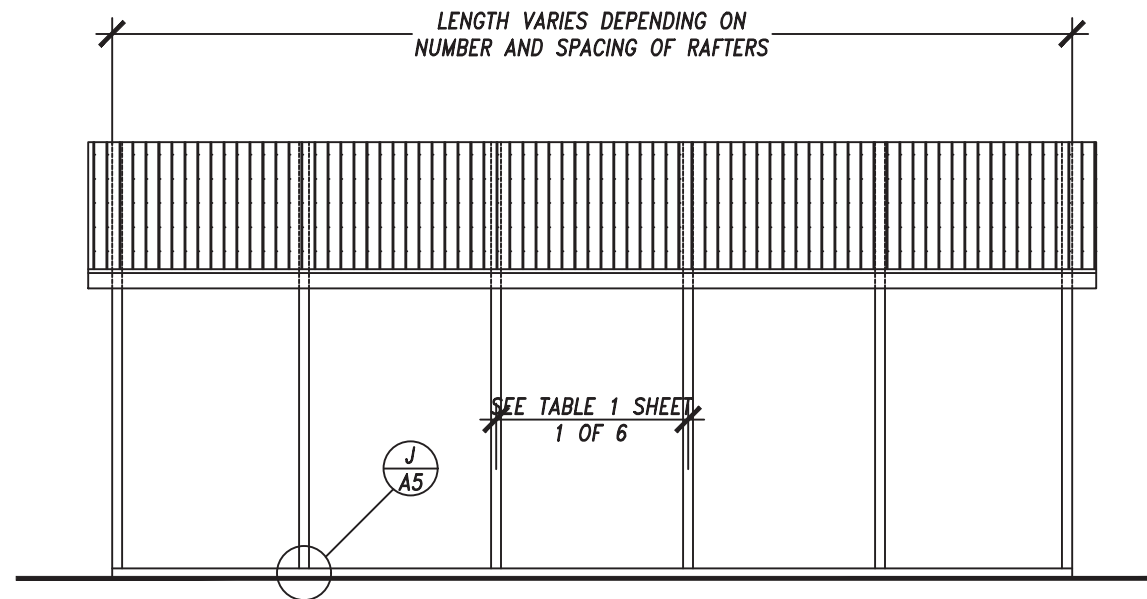
SCALE: 1/8" = 1'-0"

BOX EAVE FRAME RAFTER OPEN CARPORT - HORIZONTAL ROOF



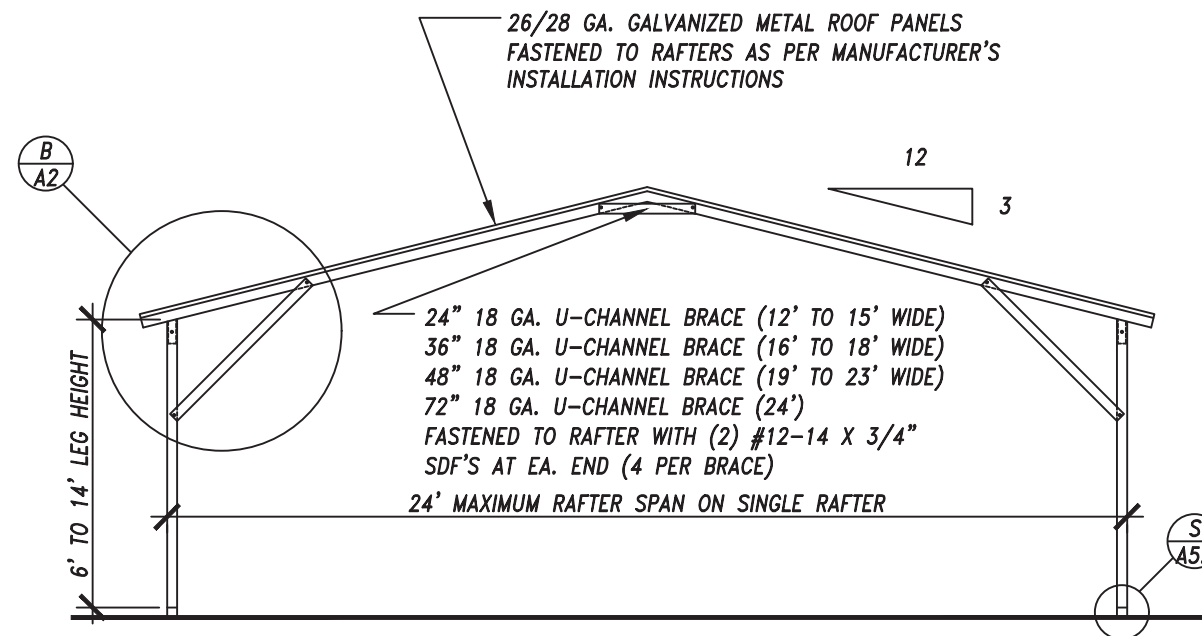
BOX EAVE RAFTER/POST DETAIL B/A2

SCALE: 1/2" = 1'-0"



BOX EAVE RAFTER/POST FRAMING PLAN - HORIZONTAL

SCALE: 1/4" = 1'-0"



BOX EAVE INTERIOR RAFTER/POST FRAME SECTION - HORIZONTAL ROOF

SCALE: 1/4" = 1'-0"

DRAWING ISSUE  
 DATE:  
 REVISED:

MANUFACTURER



1-229-253-1187

PROJECT  
 A NEW DETACHED METAL STORAGE BUILDING FOR

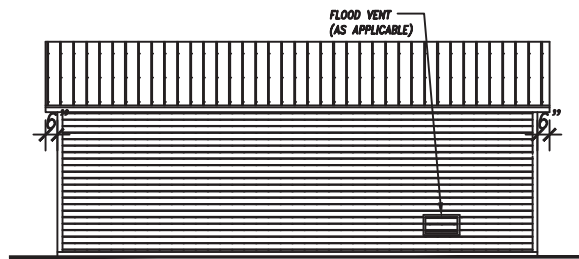
SHEET TITLE:  
 TYP. BOX EAVE (HORIZONTAL) SECTION,  
 POST/RAFTER FRAMING PLAN, TYP.  
 RAFTER/POST CONNECTION DETAIL, AND  
 TYP. ELEVATIONS

SHEET NUMBER 4 OF 10

A2

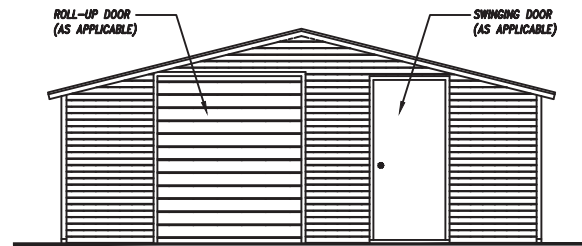
Architect:  
 Ken Frink, P.E.  
 FL. REG. ENG. 47750  
 1301 SE. 4th Ave.  
 Crystal River, Florida 34429  
 352-697-0888

This item has been digitally signed and sealed by Ken Frink on the date indicated here. Printed copies of this document are not considered signed and sealed and the signature must be verified on any electronic copies.



TYPICAL SIDE ELEVATION

SCALE: 1/8" = 1'-0"



TYPICAL END ELEVATION

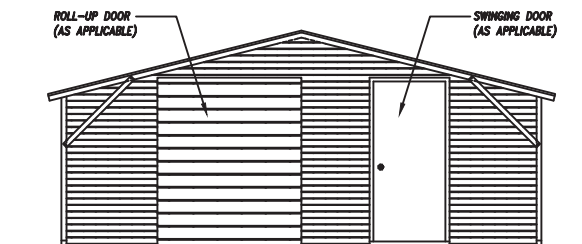
SCALE: 1/8" = 1'-0"

BOX EAVE FRAME RAFTER ENCLOSED BUILDING - VERTICAL ROOF



TYPICAL SIDE ELEVATION

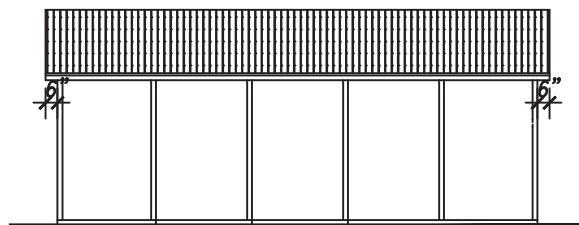
SCALE: 1/8" = 1'-0"



TYPICAL END ELEVATION

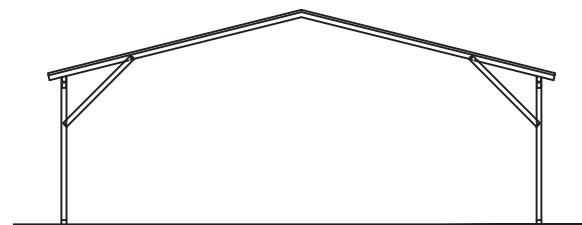
SCALE: 1/8" = 1'-0"

BOX EAVE FRAME RAFTER PARTIALLY ENCLOSED - VERTICAL ROOF



TYPICAL SIDE ELEVATION

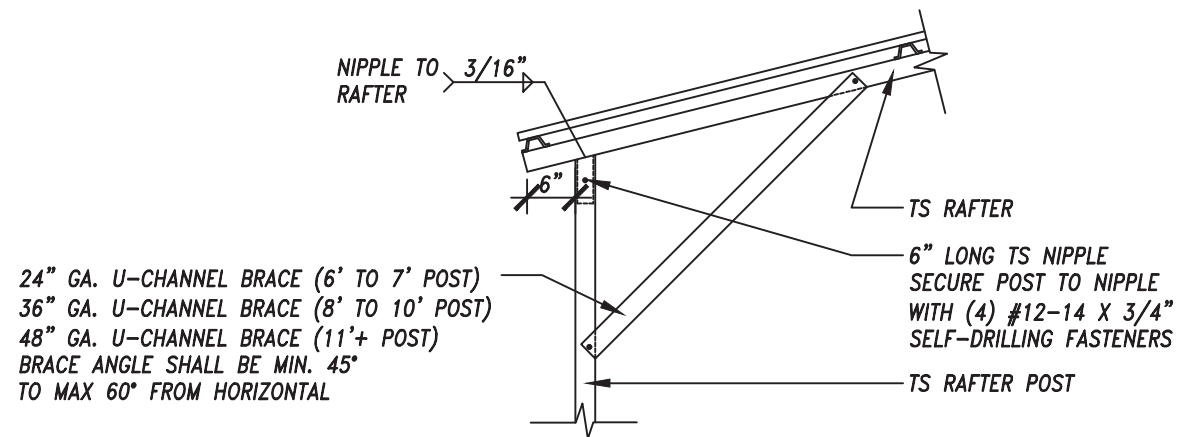
SCALE: 1/8" = 1'-0"



TYPICAL END ELEVATION

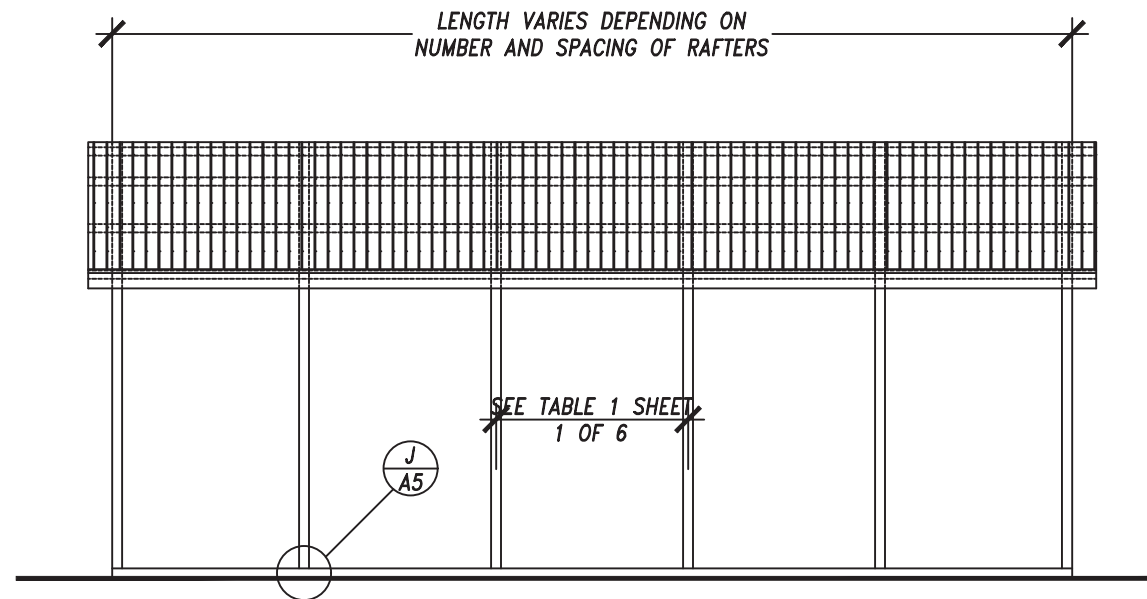
SCALE: 1/8" = 1'-0"

BOX EAVE FRAME RAFTER OPEN CARPORT - VERTICAL ROOF



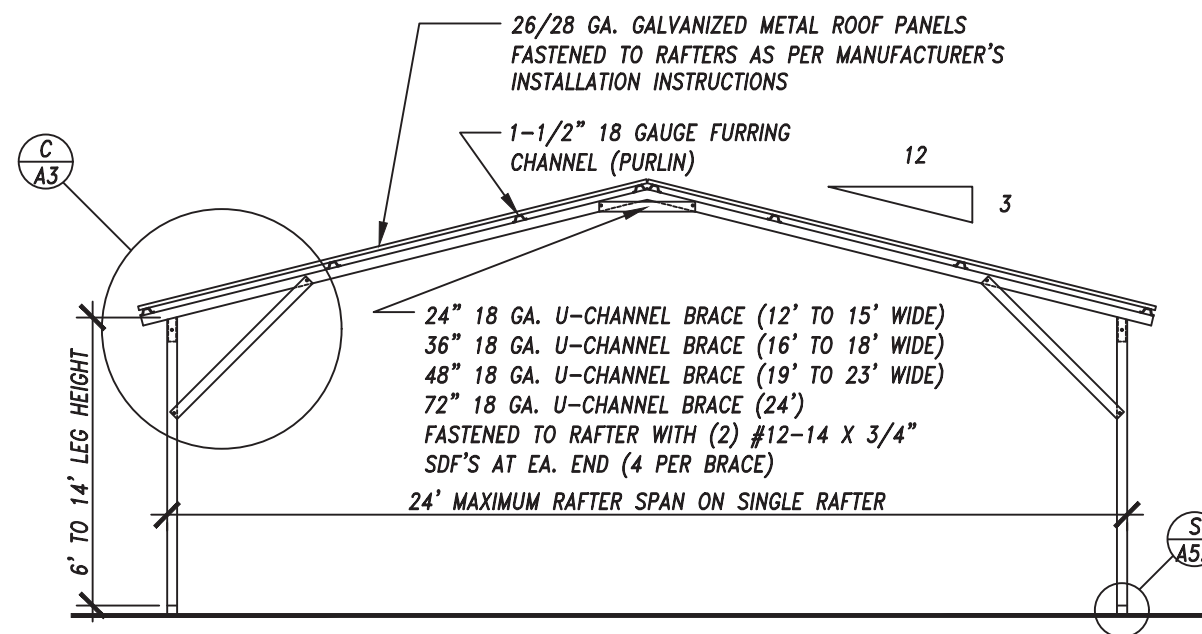
BOX EAVE RAFTER/POST DETAIL C/A3

SCALE: 1/2" = 1'-0"



BOX EAVE RAFTER/POST FRAMING PLAN - VERTICAL

SCALE: 1/4" = 1'-0"



BOX EAVE INTERIOR RAFTER/POST FRAME SECTION - VERTICAL ROOF

SCALE: 1/4" = 1'-0"

DRAWING ISSUE  
 DATE:  
 REVISED:

MANUFACTURER



1-229-253-1187

PROJECT  
 A NEW DETACHED METAL STORAGE BUILDING FOR

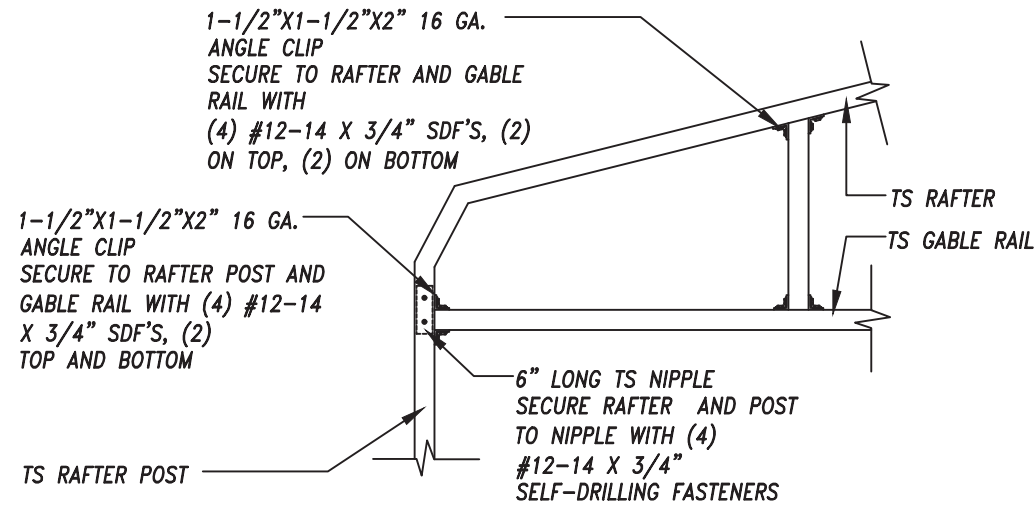
SHEET TITLE:  
 TYP. BOX EAVE (VERTICAL) SECTION,  
 POST/RAFTER FRAMING PLAN, TYP.  
 RAFTER/POST CONNECTION DETAIL, AND  
 TYP. ELEVATIONS

SHEET NUMBER 5 OF 10

A3

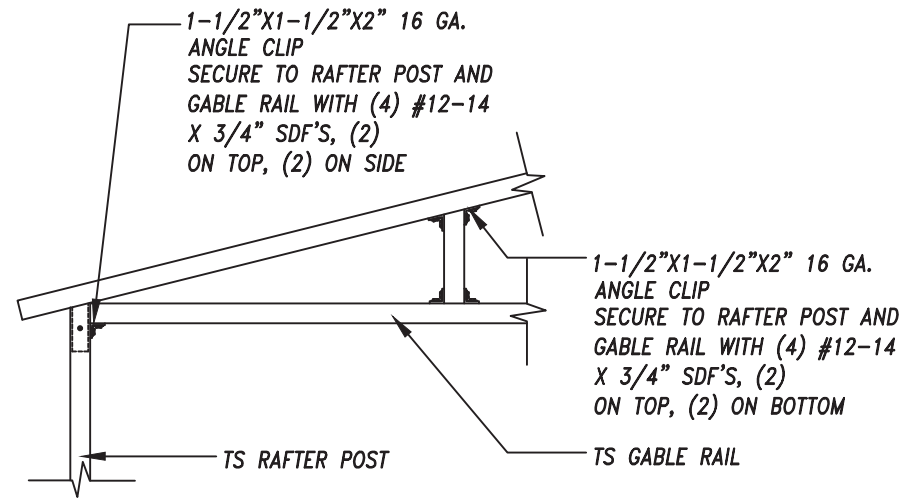
Architect:  
 Ken Frink, P.E.  
 FL. REG. ENG. 47750  
 1301 SE. 4th Ave.  
 Crystal River, Florida 34429  
 352-697-0888

This item has been digitally signed and sealed by Ken Frink on the date indicated here. Printed copies of this document are not considered signed and sealed and the signature must be verified on any electronic copies.



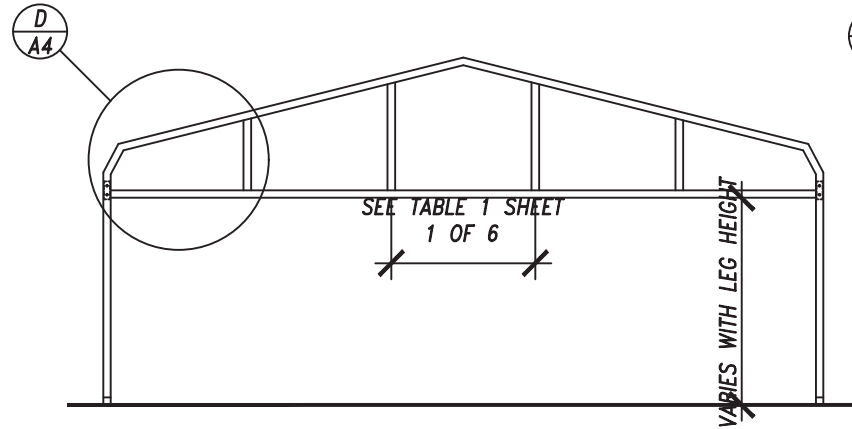
**GABLE RAIL TO RAFTER POST CONNECTION DETAIL D/A4**

SCALE: 1/2" = 1'-0"



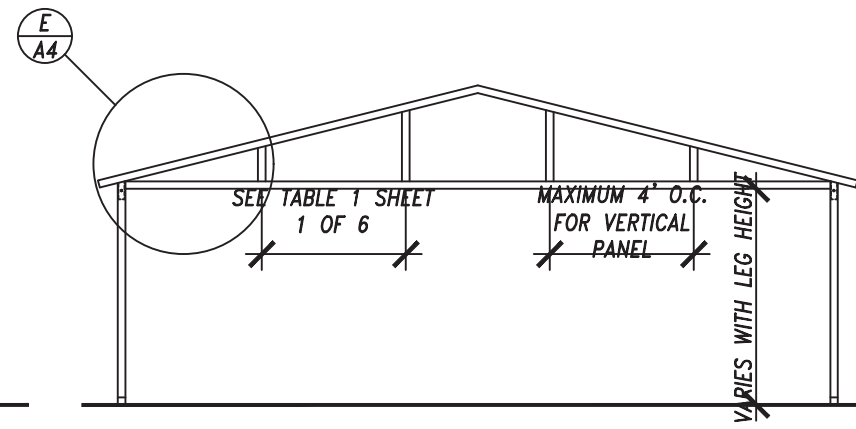
**GABLE RAIL TO RAFTER POST CONNECTION DETAIL E/A4**

SCALE: 1/2" = 1'-0"



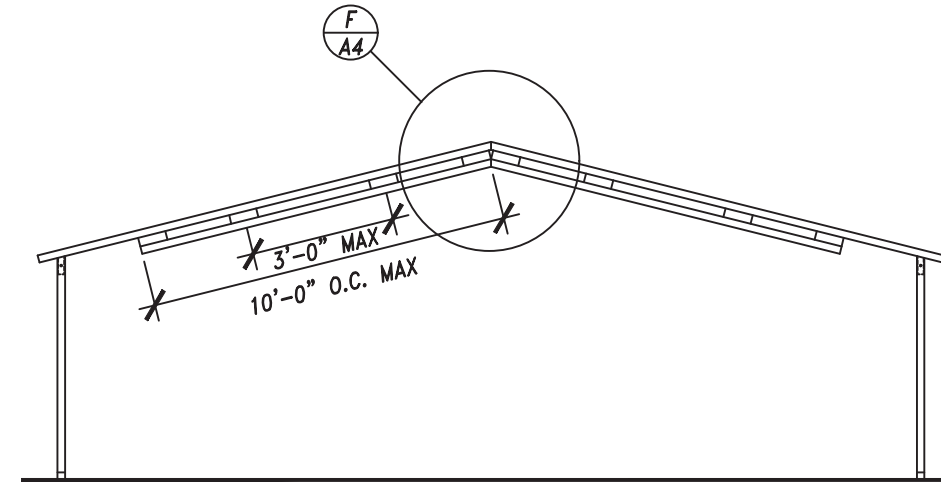
**OPTIONAL BOW RAFTER GABLE END FRAMING PLAN**

SCALE: 3/16" = 1'-0"



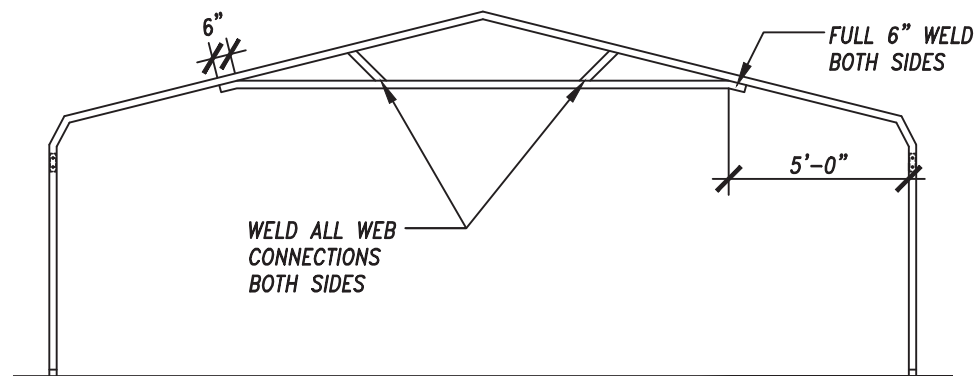
**OPTIONAL BOX EAVE RAFTER GABLE END FRAMING PLAN**

SCALE: 3/16" = 1'-0"



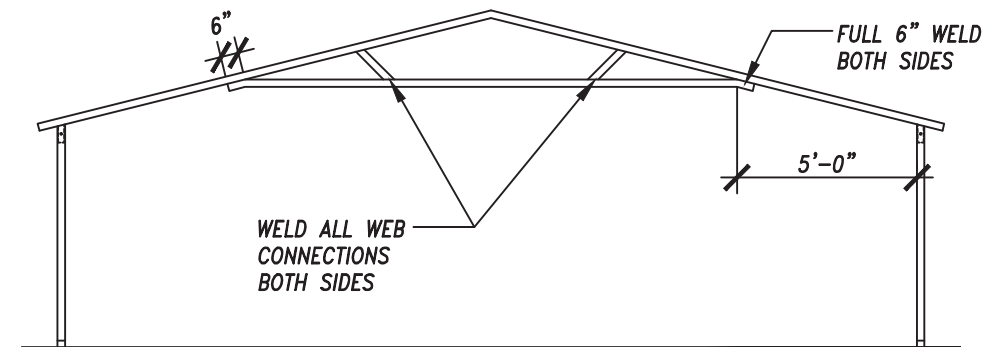
**OPTIONAL BOX EAVE DOUBLE TRUSSED RAFTER FRAMING PLAN - 24'-1" TO 30'**

SCALE: 3/16" = 1'-0"



**OPTIONAL EXTENDED GABLE END 24'-1" TO 30' TRUSSED RAFTER - BOW**

SCALE: 3/16" = 1'-0"



**OPTIONAL EXTENDED GABLE END 24'-1" TO 30' TRUSSED RAFTER - BOX EAVE**

SCALE: 3/16" = 1'-0"

DRAWING ISSUE  
DATE:  
REVISED:

MANUFACTURER



1-229-253-1187

PROJECT  
**A NEW DETACHED METAL STORAGE BUILDING FOR**

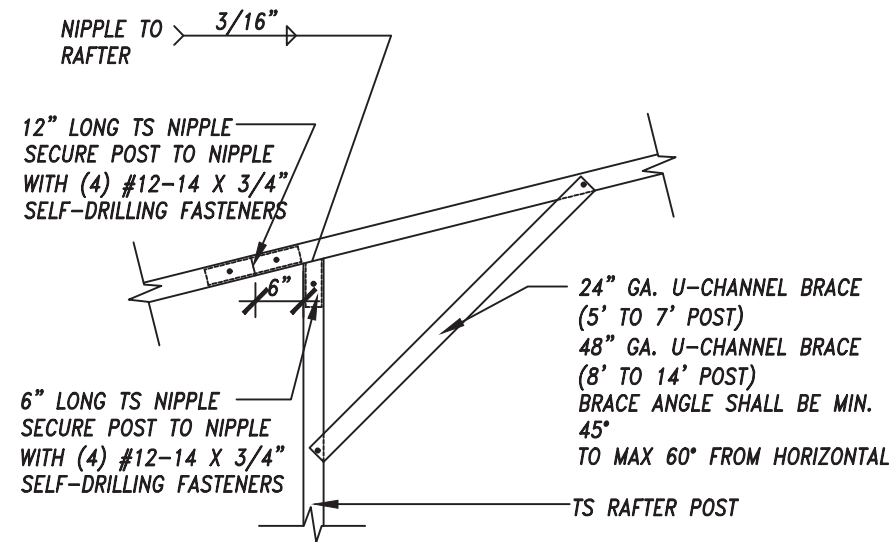
SHEET TITLE:  
OPTIONAL GABLED END FRAMING PLAN,  
OPTIONAL EXTENDED GABLE END PLAN,  
OPTIONAL DOUBLE TRUSSED RAFTER PLAN,  
AND TYP. GABLE END FRAMING SECTIONS

SHEET NUMBER 6 OF 10

**A4**

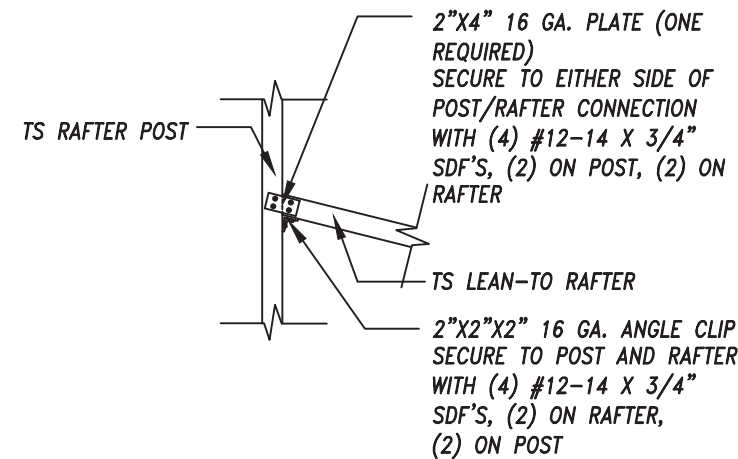
Architect:  
Ken Frink, P.E.  
FL. REG. ENG. 47750  
1301 SE. 4th Ave.  
Crystal River, Florida 34429  
352-697-0888

*This item has been digitally signed and sealed by Ken Frink on the date indicated here. Printed copies of this document are not considered signed and sealed and the signature must be verified on any electronic copies.*



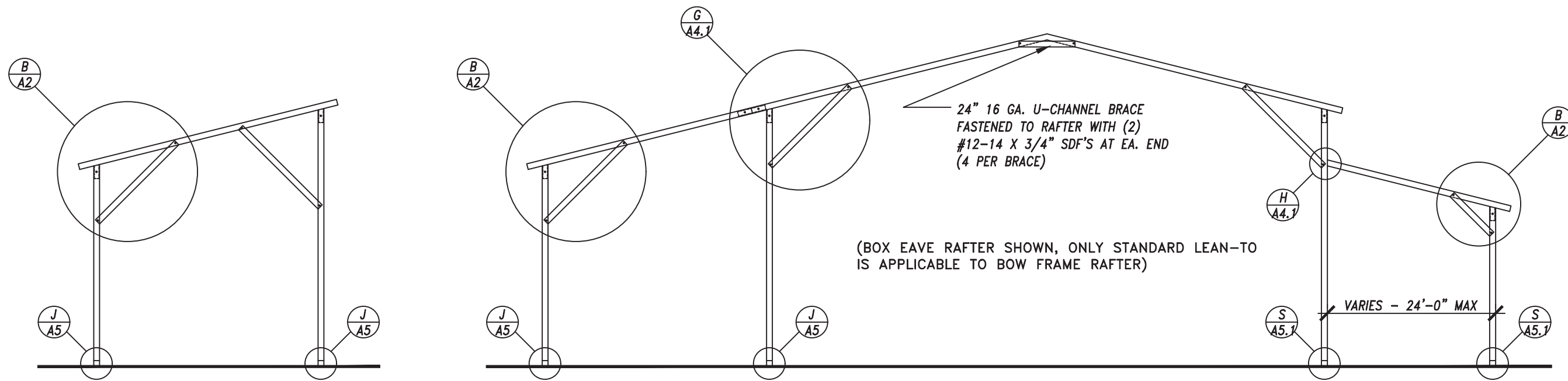
**SIDE EXTENSION RAFTER/POST DETAIL G/A4.1**

SCALE: 3/4" = 1'-0"



**POST/LEAN-TO RAFTER CONN. DETAIL H/A4.1**

SCALE: 3/4" = 1'-0"



**FREESTANDING LEAN-TO FRAMING PLAN**

SCALE: 1/4" = 1'-0"

**ROOF EXTENSION OPTION**

**MAIN STRUCTURE**

**STANDARD LEAN-TO OPTION**

**TYPICAL INTERIOR RAFTER/POST FRAME SECTION - BOX EAVE - HORIZONTAL ROOF**

SCALE: 1/4" = 1'-0"

DRAWING ISSUE  
DATE:  
REVISED:

MANUFACTURER



1-229-253-1187

PROJECT  
**A NEW DETACHED METAL  
STORAGE BUILDING FOR**

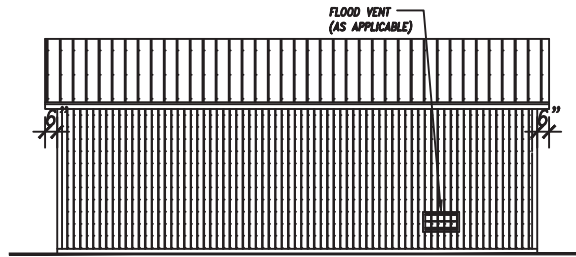
SHEET TITLE:  
TYPICAL EXTENDED CARPORT SECTION,  
TYPICAL LEAN-TO SECTION, AND  
TYPICAL LEAN-TO CONNECTION DETAILS

SHEET NUMBER 7 OF 10

**A4.1**

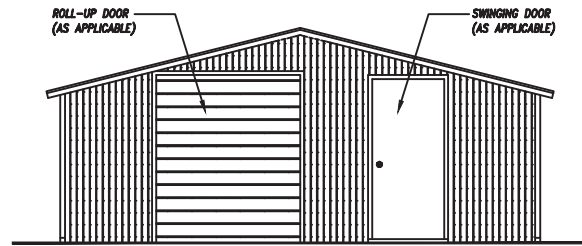
Architect:  
Ken Frink, P.E.  
FL. REG. ENG. 47750  
1301 SE. 4th Ave.  
Crystal River, Florida 34429  
352-697-0888

*This item has been digitally signed and sealed by Ken Frink on the date indicated here. Printed copies of this document are not considered signed and sealed and the signature must be verified on any electronic copies.*



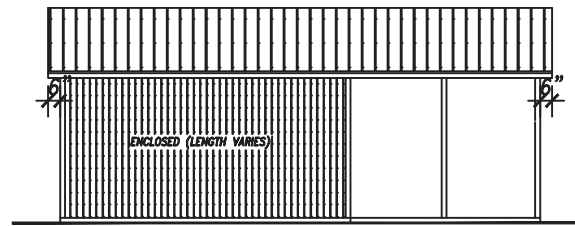
TYPICAL SIDE ELEVATION

SCALE: 1/8" = 1'-0"



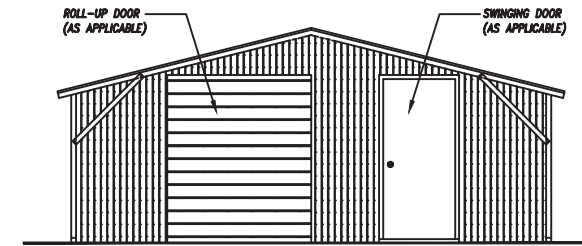
TYPICAL END ELEVATION

SCALE: 1/8" = 1'-0"



TYPICAL SIDE ELEVATION

SCALE: 1/8" = 1'-0"

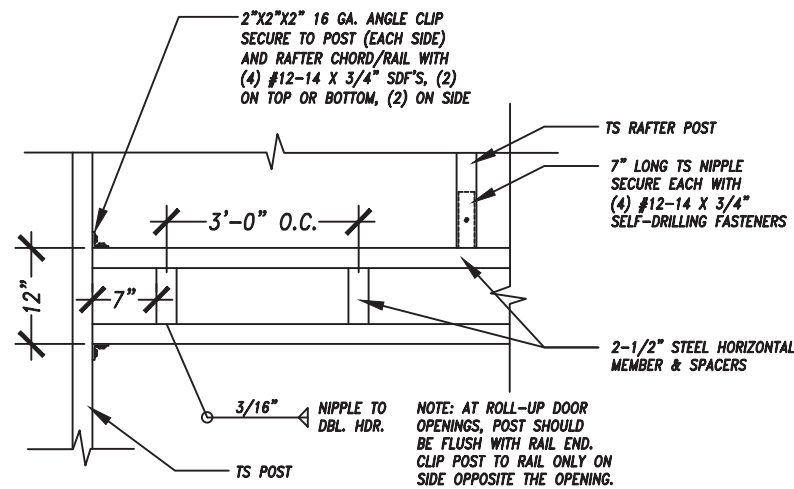


TYPICAL END ELEVATION

SCALE: 1/8" = 1'-0"

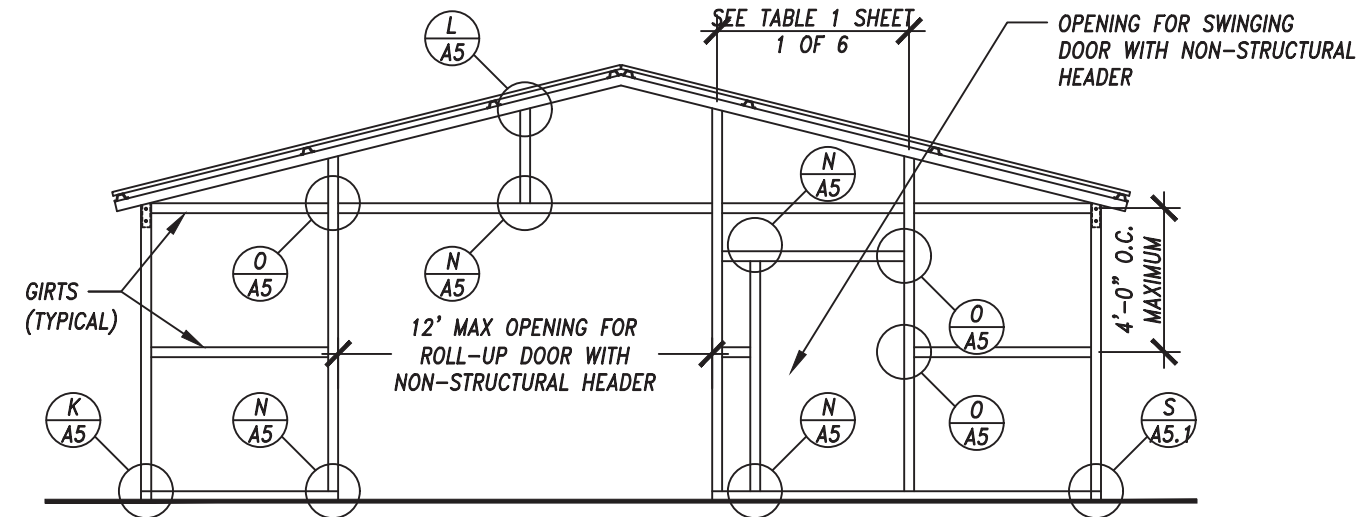
BOX EAVE FRAME RAFTER ENCLOSED BUILDING - VERTICAL ROOF

BOX EAVE FRAME RAFTER PARTIALLY ENCLOSED - VERTICAL ROOF



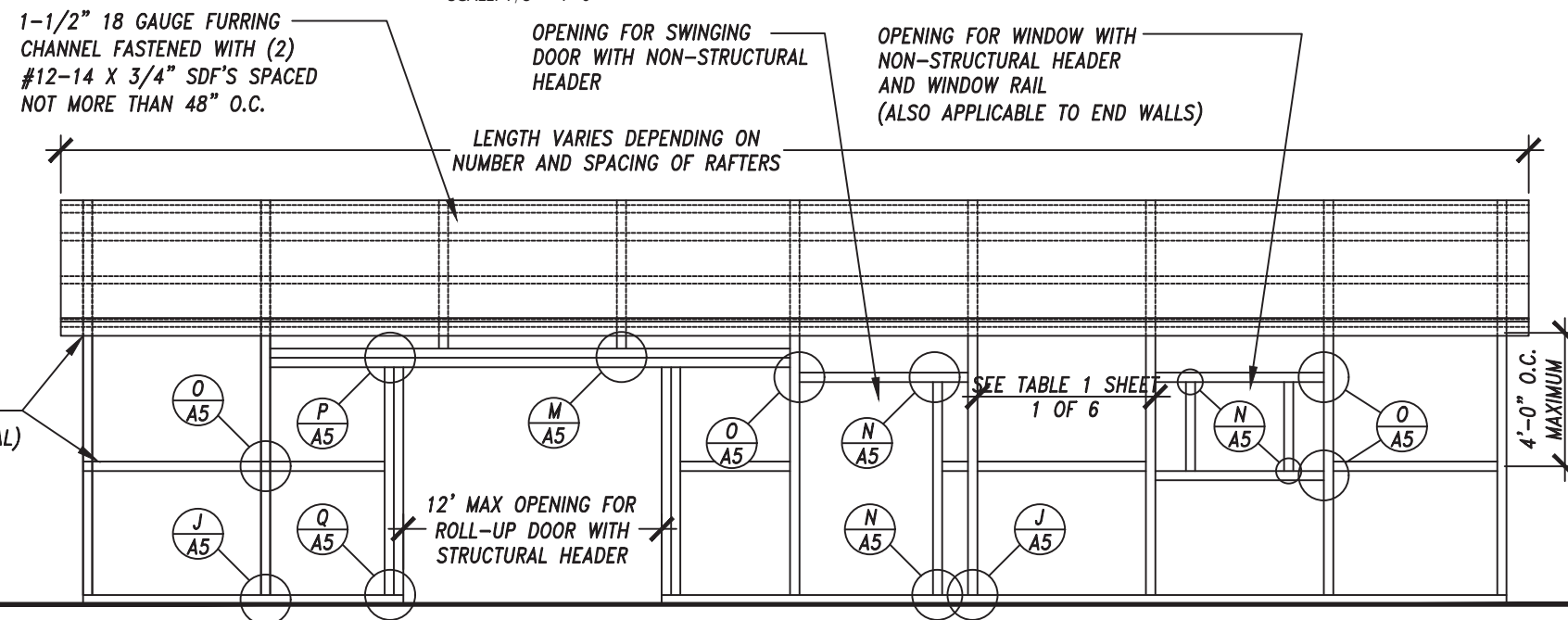
LADDER HEADER DETAIL 1/4.2

SCALE: 1/2" = 1'-0"



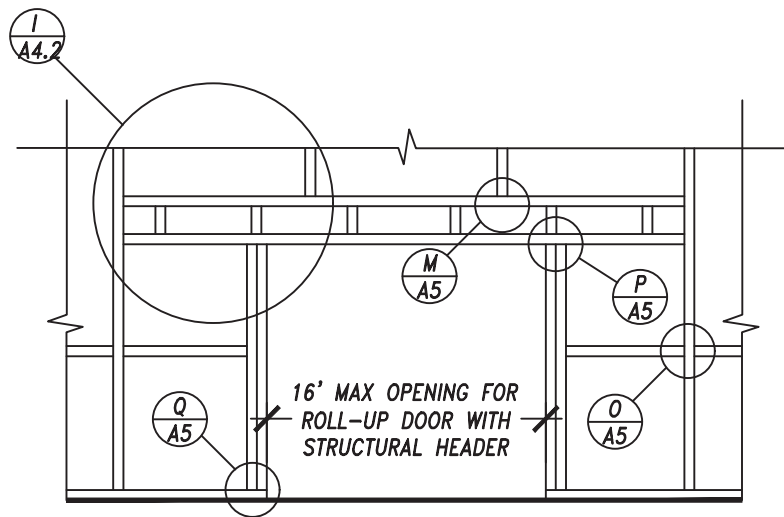
TYPICAL END WALL OPENINGS POST/RAFTER/GIRT FRAMING PLAN

SCALE: 1/8" = 1'-0"



TYPICAL POST/RAFTER/GIRT FRAMING PLAN

SCALE: 1/4" = 1'-0"



ALTERNATE HEADER FRAMING PLAN

SCALE: 1/4" = 1'-0"

DRAWING ISSUE  
DATE:  
REVISED:

MANUFACTURER



1-229-253-1187

PROJECT  
A NEW DETACHED METAL  
STORAGE BUILDING FOR

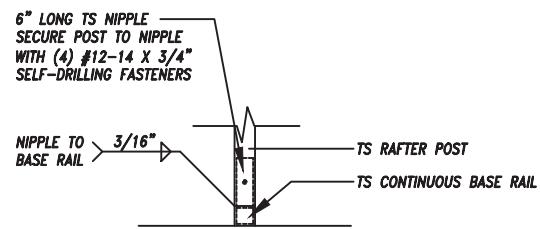
SHEET TITLE:  
TYPICAL VERTICAL SIDE OPTION POST/  
RAFTER/GIRT FRAMING PLAN, END WALL  
POST/RAFTER/GIRT FRAMING PLAN, AND  
TYP. ELEVATIONS

SHEET NUMBER 8 OF 10

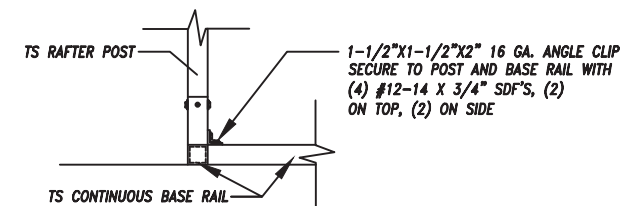
A4.2

Architect:  
Ken Frink, P.E.  
FL. REG. ENG. 47750  
1301 SE. 4th Ave.  
Crystal River, Florida 34429  
352-697-0888

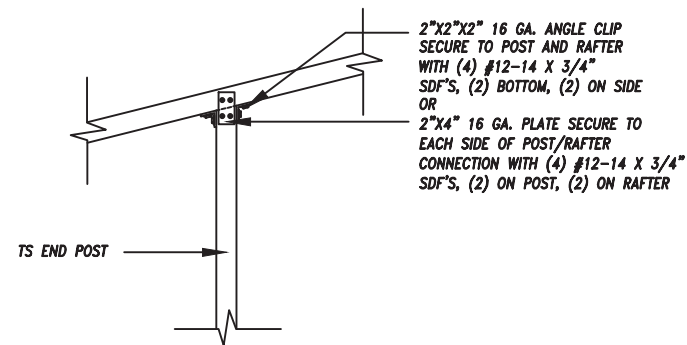
This item has been digitally  
signed and sealed by Ken Frink  
on the date indicated here.  
Printed copies of this document  
are not considered signed and  
sealed and the signature must  
be verified on any electronic  
copies.



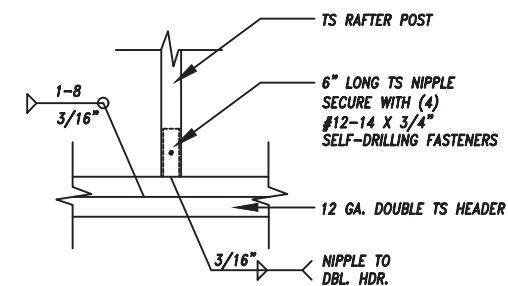
**POST/BASE RAIL CONN. DETAIL J/A5**  
SCALE: 1/2" = 1'-0"



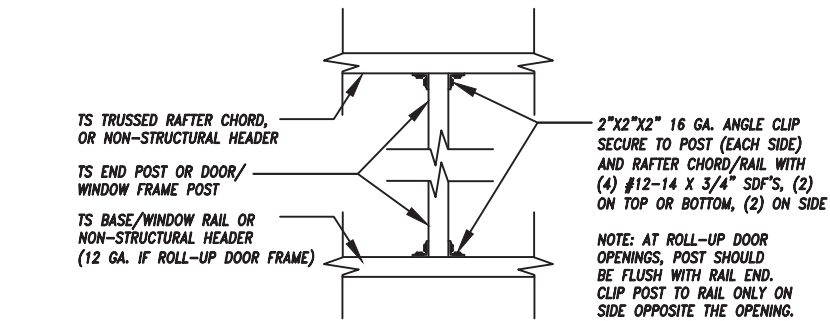
**END POST/BASE RAIL CONN. K/A5**  
SCALE: 1/2" = 1'-0"



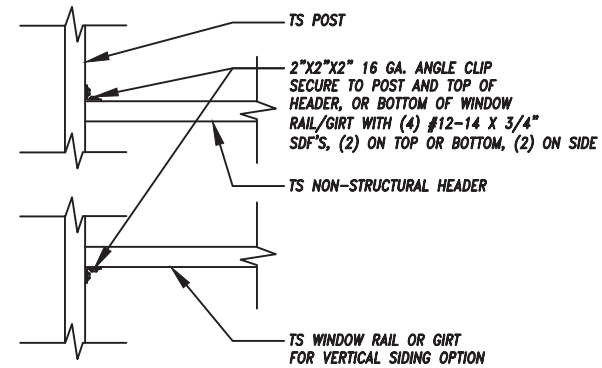
**END POST/RAFTER CONN. DETAIL L/A5**  
SCALE: 1/2" = 1'-0"



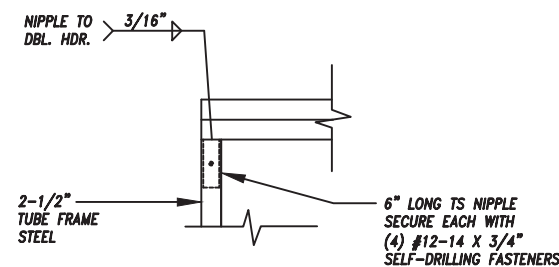
**RAFTER POST/HEADER DETAIL M/A5**  
SCALE: 1/2" = 1'-0"



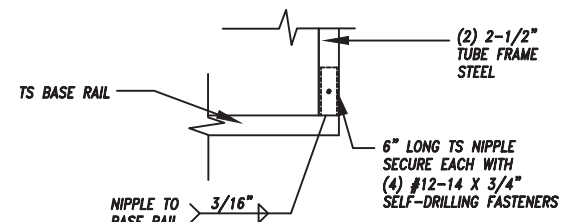
**POST TO RAIL, TRUSS CHORD, OR NON-STRUCTURAL HEADER CONN. DETAIL N/A5**  
SCALE: 1/2" = 1'-0"



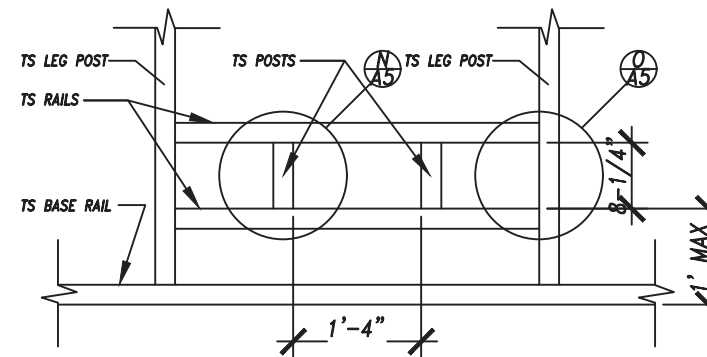
**NON-STRUCTURAL HEADER, WINDOW RAIL, OR GIRTS TO POST CONN. DETAIL O/A5**  
SCALE: 1/2" = 1'-0"



**RAFTER POST/DBL. HEADER DETAIL P/A5**  
SCALE: 1/2" = 1'-0"

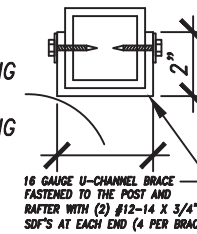


**RAFTER POST/BASE RAIL CONNECTION DETAIL Q/A5**  
SCALE: 1/2" = 1'-0"

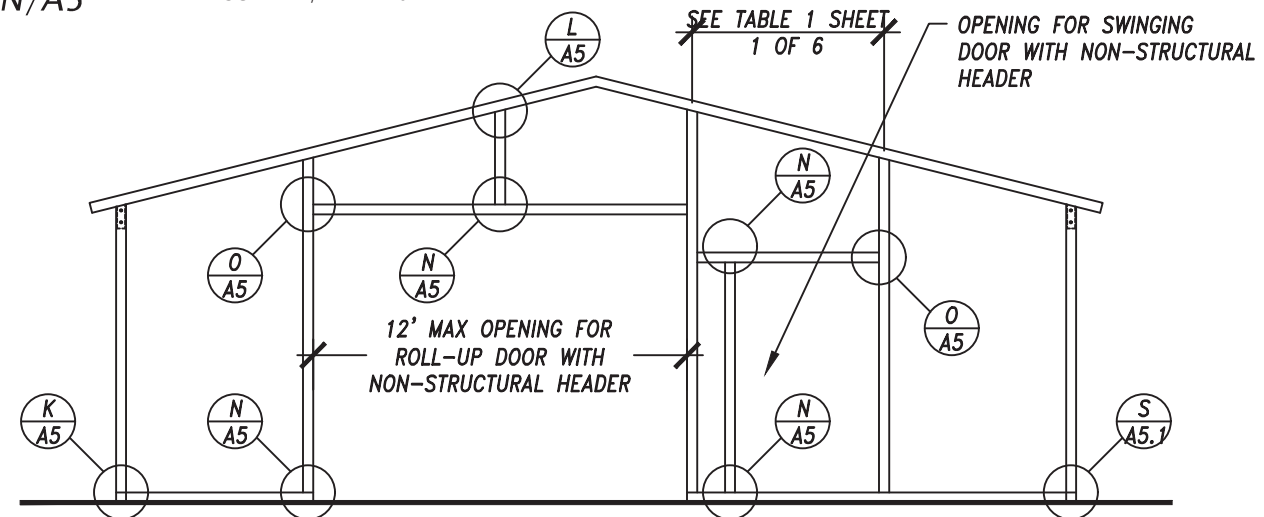


**TYPICAL FLOOD VENT FRAMING PLAN R/A5**  
SCALE: 1/2" = 1'-0"

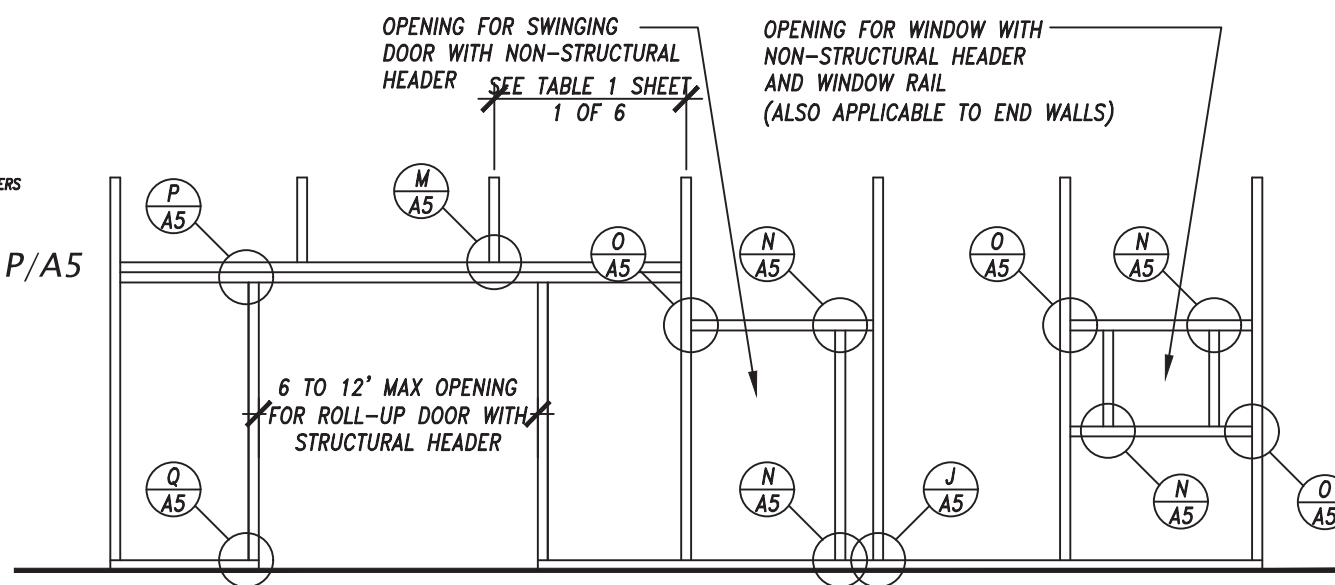
2-1/4" FOR 12 GA. FRAMING  
2-1/2" FOR 14 GA. FRAMING



**BRACE SECTION**  
SCALE: 2" = 1'-0"



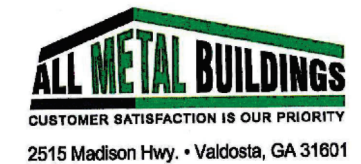
**TYPICAL END WALL OPENINGS POST/RAFTER FRAMING PLAN**  
SCALE: 1/4" = 1'-0"



**TYPICAL SIDE WALL OPENINGS FRAMING PLAN**  
SCALE: 1/4" = 1'-0"

DRAWING ISSUE  
DATE:  
REVISED:

MANUFACTURER



1-229-253-1187

PROJECT  
A NEW DETACHED METAL STORAGE BUILDING FOR

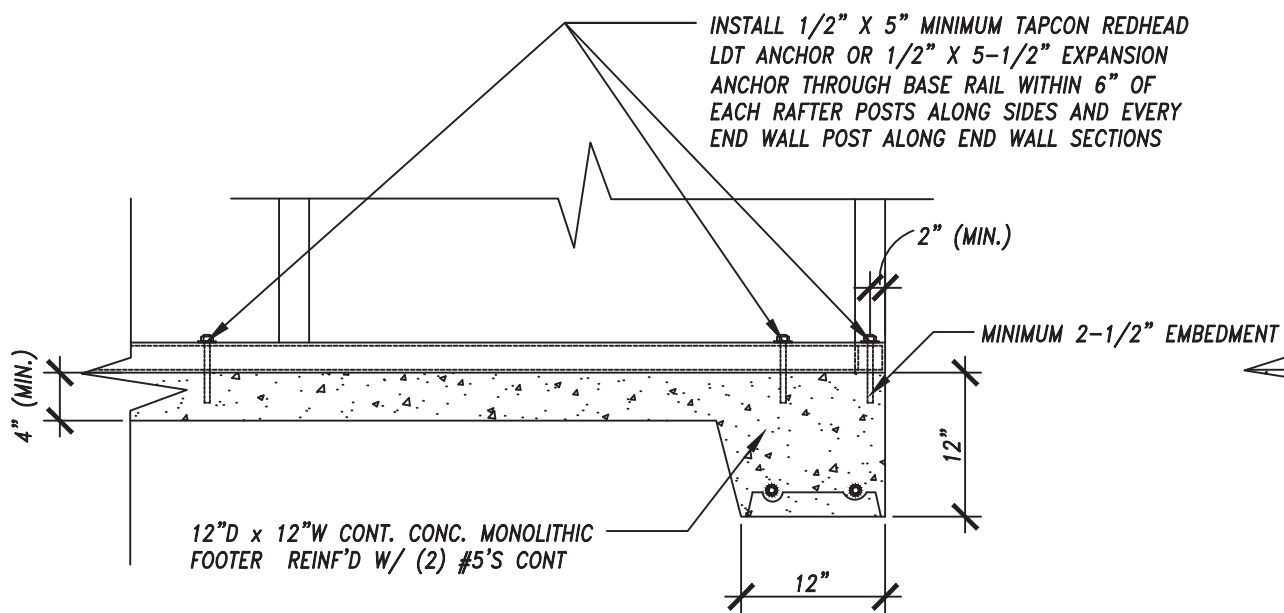
SHEET TITLE:  
TYPICAL SIDE WALL OPENING FRAMING PLAN,  
TYPICAL END WALL OPENING POST/RAFTER  
PLAN, AND TYPICAL CONNECTION DETAILS

SHEET NUMBER 9 OF 10

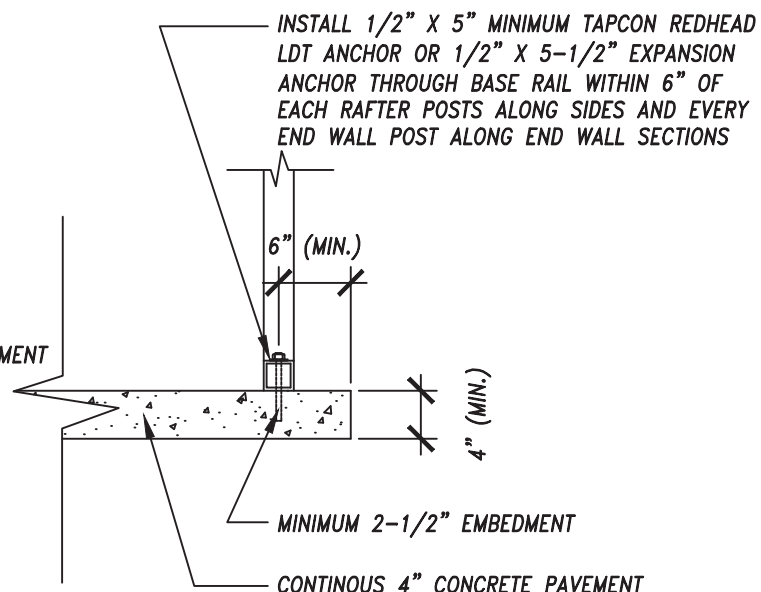
A5

Architect:  
Ken Frink, P.E.  
FL. REG. ENG. 47750  
1301 SE. 4th Ave.  
Crystal River, Florida 34429  
352-697-0888

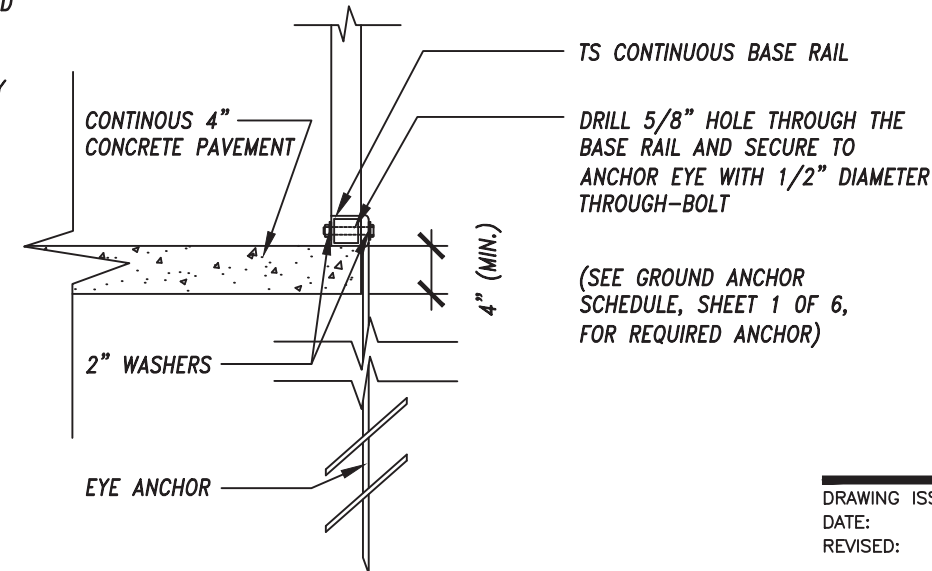
This item has been digitally signed and sealed by Ken Frink on the date indicated here. Printed copies of this document are not considered signed and sealed and the signature must be verified on any electronic copies.



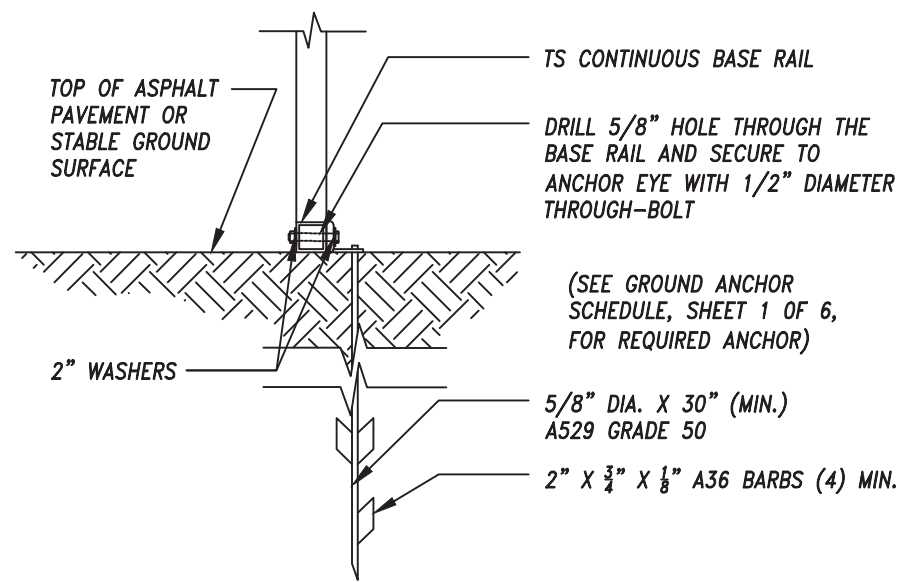
**CONCRETE BASE RAIL ANCHORAGE Sa/A5.1**  
SCALE: 3/4" = 1'-0"



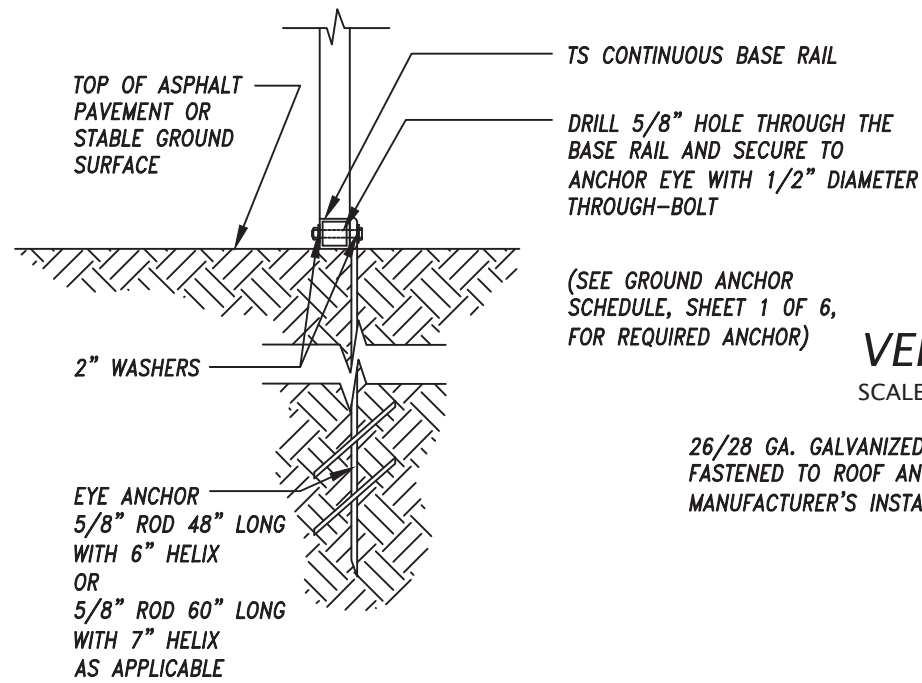
(OPTIONAL - OPEN CARPORTS ONLY)  
**CONCRETE BASE RAIL ANCHORAGE Sb/A5.1**  
SCALE: 3/4" = 1'-0"



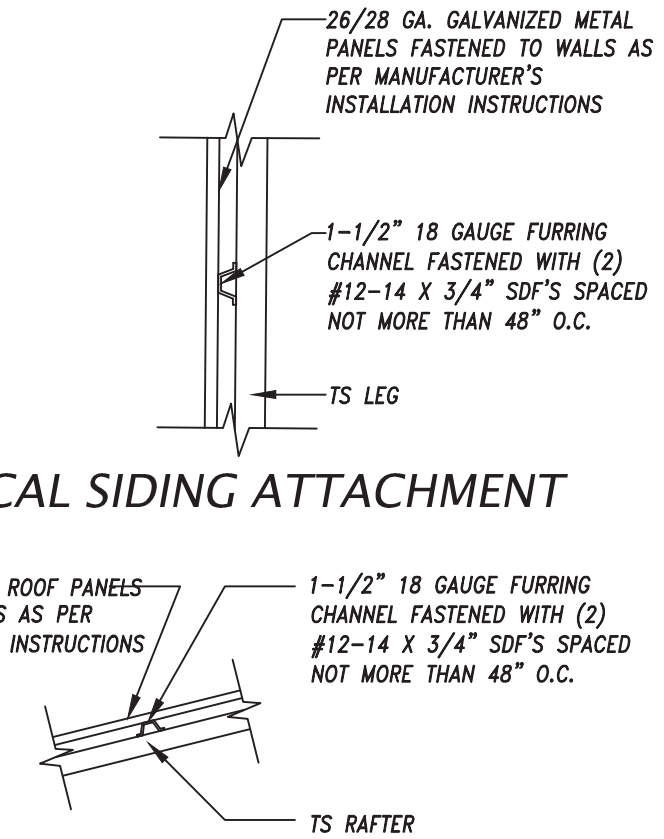
(OPEN CARPORTS WHERE SLAB EDGE DISTANCE DOES NOT MEET MINIMUM EDGE DISTANCE SHOWN IN DETAIL 1B)  
**CONCRETE BASE RAIL ANCHORAGE Sc/A5.1**  
SCALE: 3/4" = 1'-0"



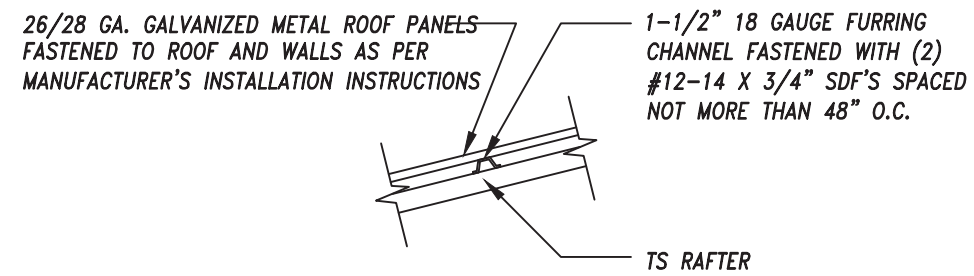
**BASE RAIL ANCHORAGE Sd/A5.1**  
(HP 9 BARBED DRIVE ANCHOR)  
SCALE: 3/4" = 1'-0"



**BASE RAIL DEEP ANCHORAGE Se/A5.1**  
SCALE: 3/4" = 1'-0"



**VERTICAL SIDING ATTACHMENT**  
SCALE: NTS



**ROOF PANEL ATTACHMENT**  
SCALE: 3/4" = 1'-0"

DRAWING ISSUE  
DATE:  
REVISED:  
MANUFACTURER



1-229-253-1187

PROJECT  
A NEW DETACHED METAL STORAGE BUILDING FOR

SHEET TITLE:  
TYPICAL ANCHORAGE DETAILS AND TYPICAL PANEL ATTACHMENT DETAIL

SHEET NUMBER 10 OF 10

A5.1

Architect:  
Ken Frink, P.E.  
FL. REG. ENG. 47750  
1301 SE. 4th Ave.  
Crystal River, Florida 34429  
352-697-0888

This item has been digitally signed and sealed by Ken Frink on the date indicated here. Printed copies of this document are not considered signed and sealed and the signature must be verified on any electronic copies.