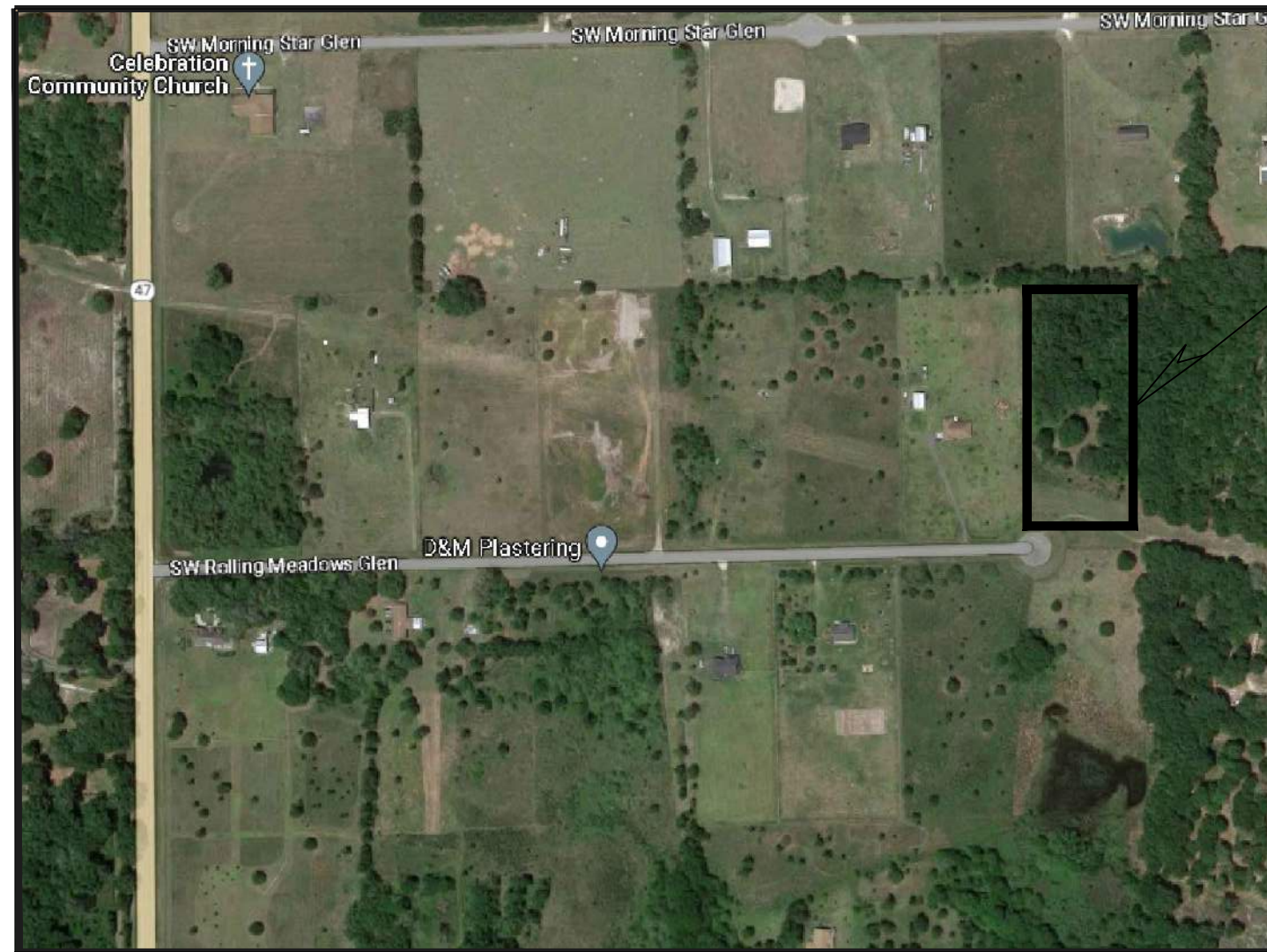


SITE AND PERMITTING PLANS
VELO'S RESIDENTIAL
 COLUMBIA COUNTY FLORIDA
 PREPARED FOR
ANDRES VELO & ILIANA VELO

VICINITY MAP
NTS

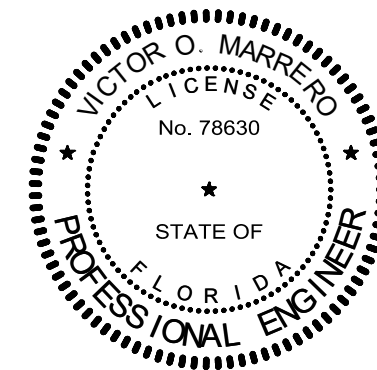


PROJECT SITE

SHEET INDEX

| | |
|------|----------------------------|
| A-1 | COVER SHEET |
| A-2 | 1st FLOOR PLAN |
| A-3 | 2nd FLOOR PLAN |
| A-4 | FRONT ELEVATION |
| A-5 | LEFT ELEVATION |
| A-6 | REAR ELEVATION |
| A-7 | RIGHT ELEVATION |
| A-8 | TYP WALL SECTION 1ST FLOOR |
| A-9 | TYP WALL SECTION 2ND FLOOR |
| A-10 | DESIGN CRITERIA |
| A-11 | NOTES AND DETEALS |
| A-12 | ROOF PLAN |
| A-13 | FUNDATION AND PLUMBING |
| A-14 | FOUNDATION DETAILS |
| A-15 | 1ST FLOOR ELECTRICAL PLAN |
| A-16 | 2ND FLOOR ELECTRICAL PLAN |

AFFINE ENGINEERING
 AND SURVEYING, INC.
 CERTIFICATE OF
 AUTHORIZATION No. 29140



Digitally signed
 by Victor O
 Marrero
 Date: 2024.03.15
 20:01:56 -04'00'

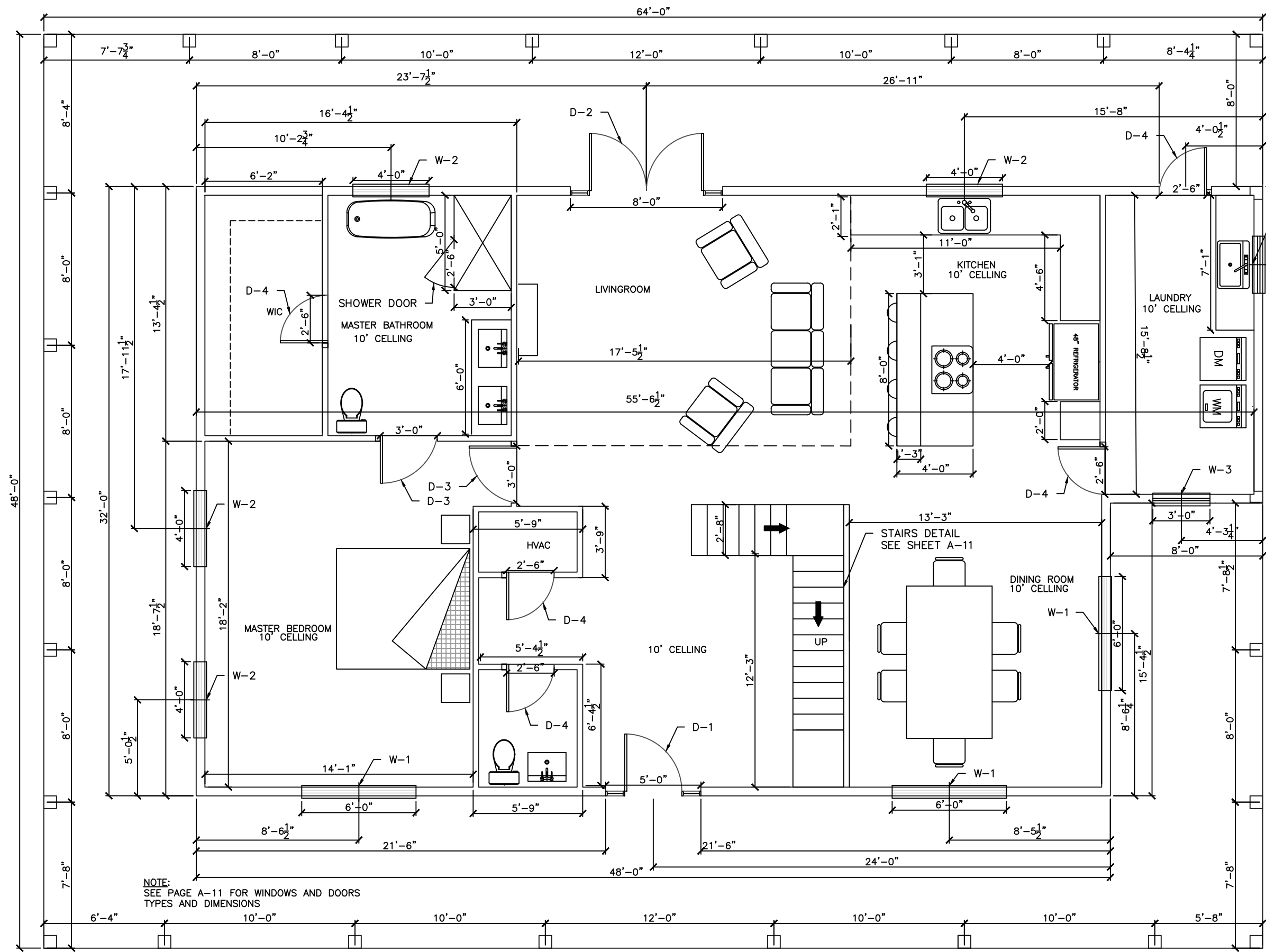
VICTOR O. MARRERO
 FLORIDA P.E. # 78630



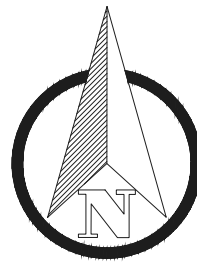
AFFINE ENGINEERING AND SURVEYING, INC
 CIVIL ENGINEERS SURVEYORS

TELEPHONE NUMBER 407-421-5534
 10354 JEPSON STREET, ORLANDO, FLORIDA 32825
 CERTIFICATE OF AUTHORIZATION: No 29140

AFFINE ENGINEERING
 AND SURVEYING, INC.
 CERTIFICATE OF
 AUTHORIZATION No. 29140
 VICTOR O. MARRERO
 FLORIDA P.E. # 78630
 DATE 03/14/2024

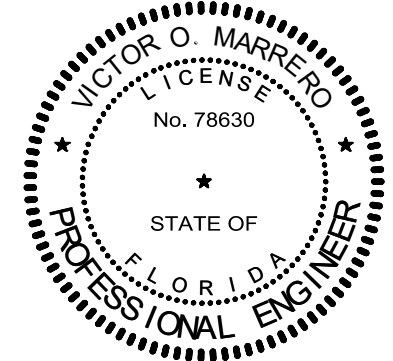


NOTE:
SEE PAGE A-11 FOR WINDOWS AND DOORS
TYPES AND DIMENSIONS



| SQUARE FOOTAGE | |
|-------------------|---------|
| LIVING AREA | 1450 SF |
| WALK AROUND PORCH | 1143 SF |
| LAUNDRY | 96 SF |
| TOTAL | 2692 SF |

AFFINE ENGINEERING
AND SURVEYING, INC.
CERTIFICATE OF
AUTHORIZATION No. 29140



VICTOR O. MARRERO
FLORIDA P.E. # 78630

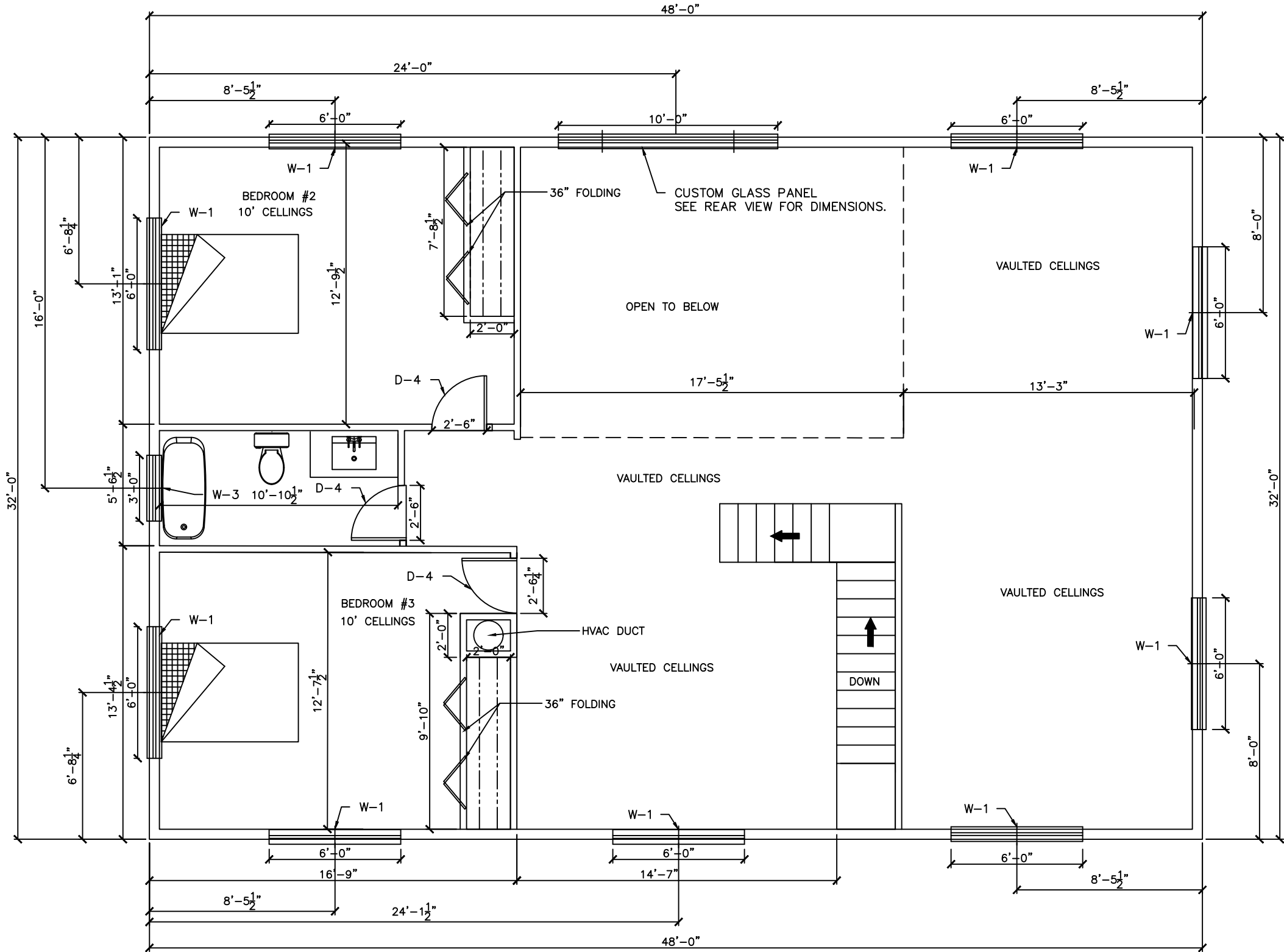
Victor O. Marrero
Digitally signed by Victor O. Marrero
Date: 2024.03.16
08:17:06 -04'00'

DRAWN BY: ERNESTO H. PEREZ
CHECKED BY: VICTOR O. MARRERO
DATE: 3/15/24
SCALE: 3/16"=1'
JOB #: 02143VELO

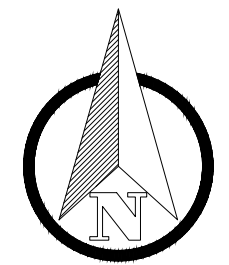
AFFINE ENGINEERING AND SURVEYING, INC.
AFFINE CIVIL ENGINEERS
SURVEYORS
TELEPHONE NUMBER 407-421-5534
10354 JEPSON STREET, ORLANDO, FLORIDA 32825
CERTIFICATE OF AUTHORIZATION: No. 29140



DRAWING FOR: 18-004
SHEET: A-2
PREPARED FOR: ANDRES VELO
DATE: 03/15/2024
1st FLOOR PLAN

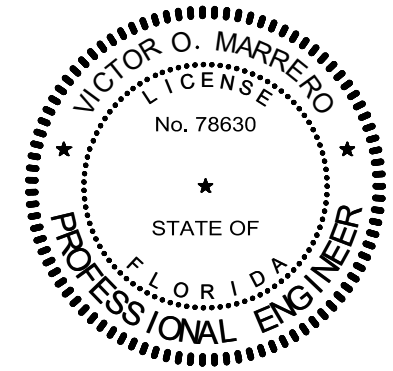


NOTE:
SEE PAGE A-11 FOR WINDOWS AND DOORS
TYPES AND DIMENSIONS



| SQUARE FOOTAGE | |
|----------------|---------|
| LIVING AREA | 1183 SF |
| TOTAL | 1183 SF |

AFFINE ENGINEERING AND SURVEYING, INC.
CERTIFICATE OF AUTHORIZATION No. 29140



VICTOR O. MARRERO
FLORIDA P.E. # 78630

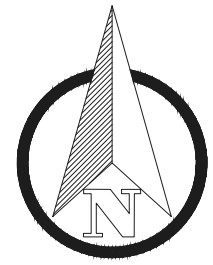
Victor O. Marrero
Marrero
Digitally signed by Victor O. Marrero
Date: 2024.03.16 08:18:03 -04'00'

DRAWN BY ERNESTO H. PEREZ
CHECKED BY VICTOR O. MARRERO
DATE 3/15/24
SCALE 3/16"=1"
JOB # 021423VELO

AFFINE ENGINEERING AND SURVEYING, INC.
CIVIL ENGINEERS
SURVEYORS
TELEPHONE NUMBER 407-421-5534
10354 WEPSON STREET, ORLANDO, FLORIDA 32825
CERTIFICATE OF AUTHORIZATION: No. 29140



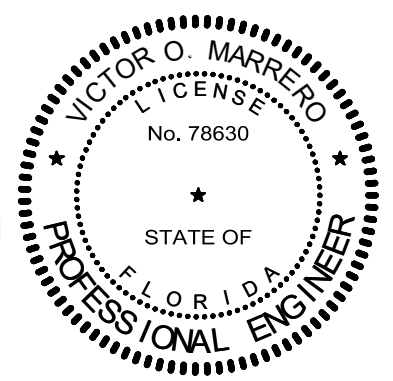
DRAWING PREPARED FOR:
18-004 ANDRES VELO
SHEET A-3 2nd FLOOR PLAN
DATE 03/15/2024



DRAWN BY ERNESTO H. PEREZ
 CHECKED BY VICTOR O. MARRERO
 DATE 3/14/24
 SCALE 3/16"=1'
 JOB # 021423VELO

AFFINE ENGINEERING AND SURVEYING, INC.
 AFFINE CIVIL ENGINEERS
 SURVEYORS
 TELEPHONE NUMBER 407-421-5534
 10354 JEFFERSON STREET, ORLANDO, FLORIDA 32825
 CERTIFICATE OF AUTHORIZATION: No. 29140

AFFINE ENGINEERING
 AND SURVEYING, INC.
 CERTIFICATE OF
 AUTHORIZATION No. 29140



Victor O Marrero
 Digitally signed by Victor O Marrero
 Date: 2024.03.15 19:37:34 -04'00'

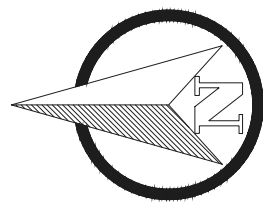
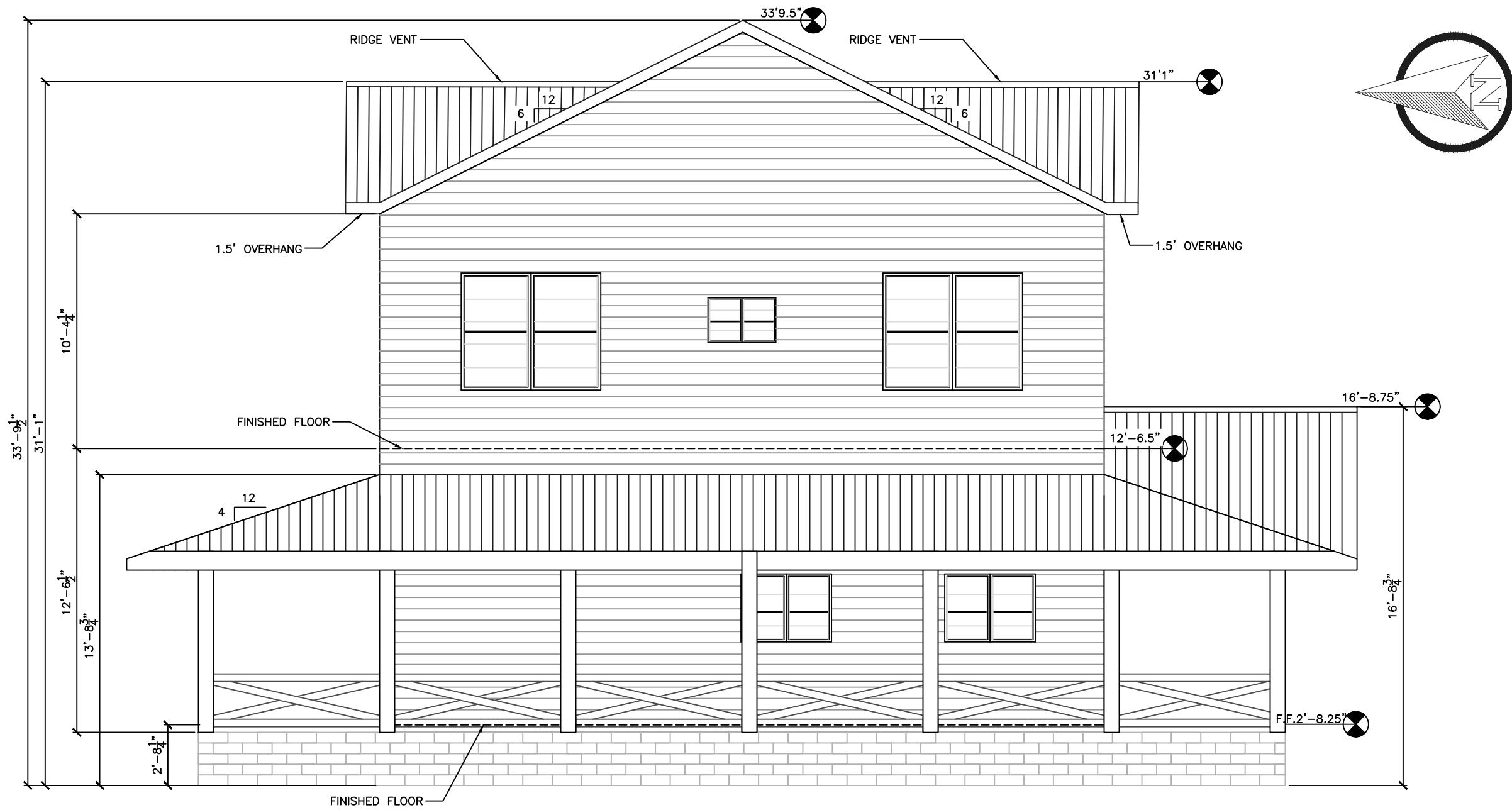
VICTOR O. MARRERO
 FLORIDA P.E. # 78630

VICTOR O. MARRERO
 FLORIDA P.E. # 78630

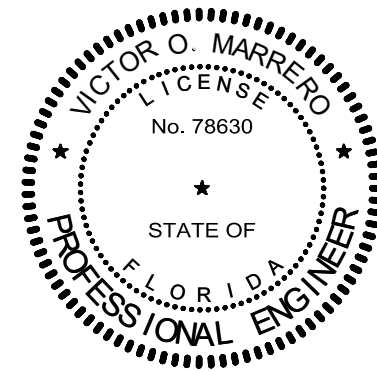
DATE 03/14/2024

DRAWING 18-004
 SHEET A-4

PREPARED FOR:
 ANDRES VELO
 FRONT ELEVATION



AFFINE ENGINEERING
AND SURVEYING, INC.
CERTIFICATE OF
AUTHORIZATION No. 29140



Digitally signed
by Victor O
Marrero
Date:
2024.03.15
19:38:51 -04'00'

VICTOR O. MARRERO
FLORIDA P.E. # 78630

VICTOR O. MARRERO
FLORIDA P.E. # 78630

DATE 03/14/2024

PREPARED FOR:

ANDRES VELO

18-004
SHEET

A-5 LEFT ELEVATION



AFFINE

AFFINE ENGINEERING AND SURVEYING, INC.
CIVIL ENGINEERS
SURVEYORS

DRAWN BY

CHECKED BY

DATE

SCALE

JOB #

ERNESTO H. PEREZ

VICTOR O. MARRERO

3/14/24

3/16"=1"

021433VELO

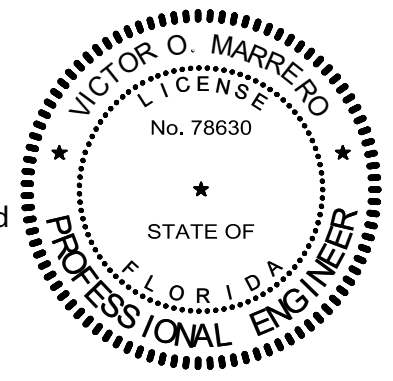


DRAWN BY: ERNESTO H. PEREZ
 CHECKED BY: VICTOR O. MARRERO
 DATE: 3/14/24
 SCALE: 3/16"=1"
 JOB #: 02143VELO

AFFINE ENGINEERING AND SURVEYING, INC.
 SURVEYORS
 TELEPHONE NUMBER 407-421-5534
 10354 WEPSON STREET, ORLANDO, FLORIDA 32825
 CERTIFICATE OF AUTHORIZATION No. 29140



AFFINE ENGINEERING
 AND SURVEYING, INC.
 CERTIFICATE OF
 AUTHORIZATION No. 29140

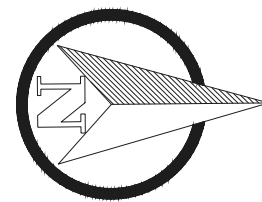
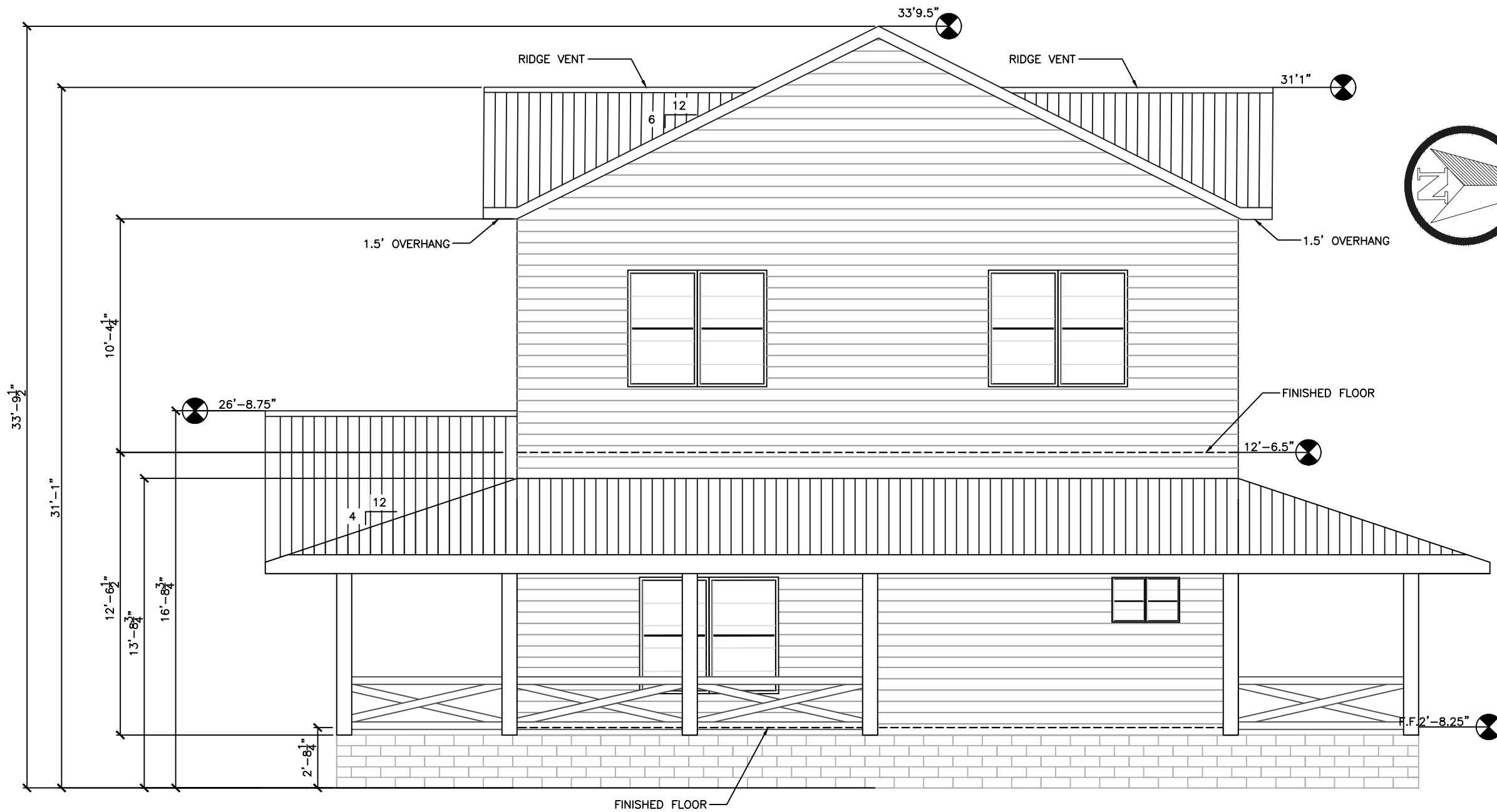


Victor O
 Marrero
 Digitally signed
 by Victor O
 Marrero
 Date:
 2024.03.15
 19:41:12 -04'00'

VICTOR O. MARRERO
 FLORIDA P.E. # 78630

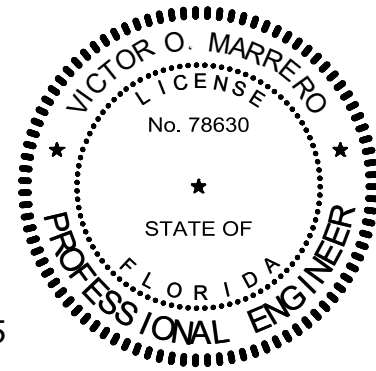
VICTOR O. MARRERO
 FLORIDA P.E. # 78630
 DATE 03/14/2024

DRAWING PREPARED FOR:
 18-004 ANDRES VELO
 SHEET SHEET
 A-6 REAR ELEVATION



Digitally signed
 by Victor O
 Marrero
 Date: 2024.03.15
 19:41:57 -04'00'

AFFINE ENGINEERING
 AND SURVEYING, INC.
 CERTIFICATE OF
 AUTHORIZATION No. 29140



VICTOR O. MARRERO
 FLORIDA P.E. # 78630

VICTOR O. MARRERO
 FLORIDA P.E. # 78630

DATE 03/14/2024

DRAWING
 18-004
 SHEET
 A-7

PREPARED FOR:
 ANDRES VELO
 RIGHT ELEVATION



AFFINE

AFFINE ENGINEERING AND SURVEYING, INC.
 CIVIL ENGINEERS
 SURVEYORS

DRAWN BY
 ERNESTO H. PEREZ

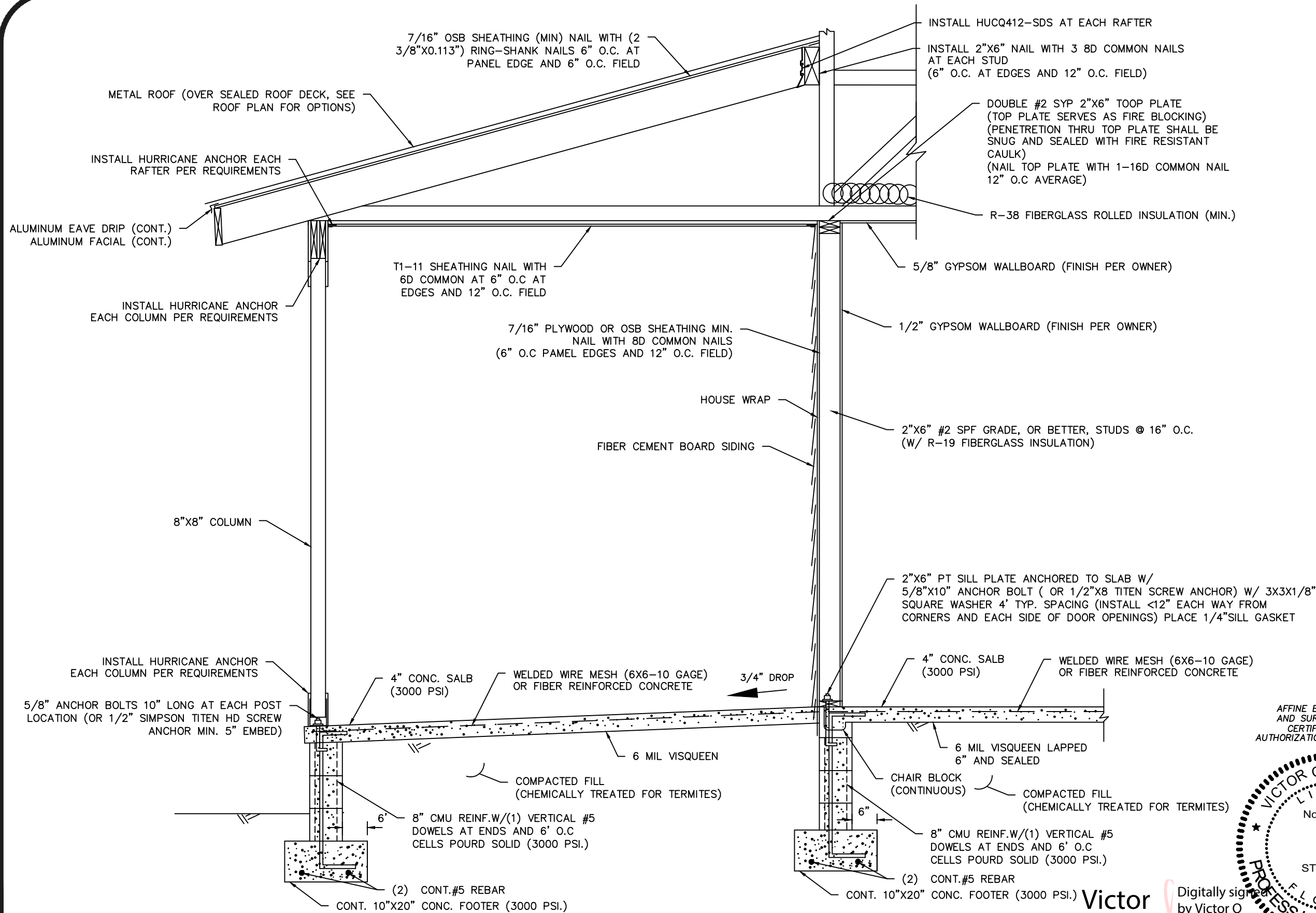
CHECKED BY
 VICTOR O. MARRERO

DATE
 3/14/24

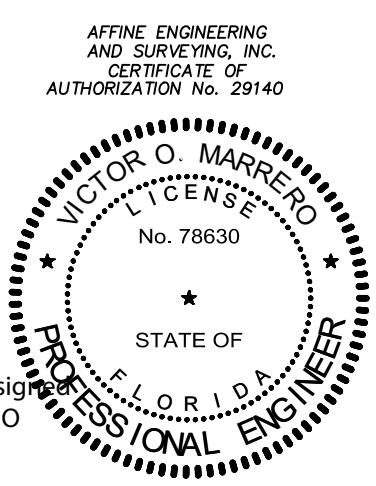
SCALE
 3/16"=1'

JOB #
 02143VELO

TELEPHONE NUMBER 407-421-5534
 10344 JEPSON STREET, ORLANDO, FLORIDA 32825
 CERTIFICATE OF AUTHORIZATION: No. 29140



TYPICAL WALL SECTION 1ST FLOOR
N.T.S



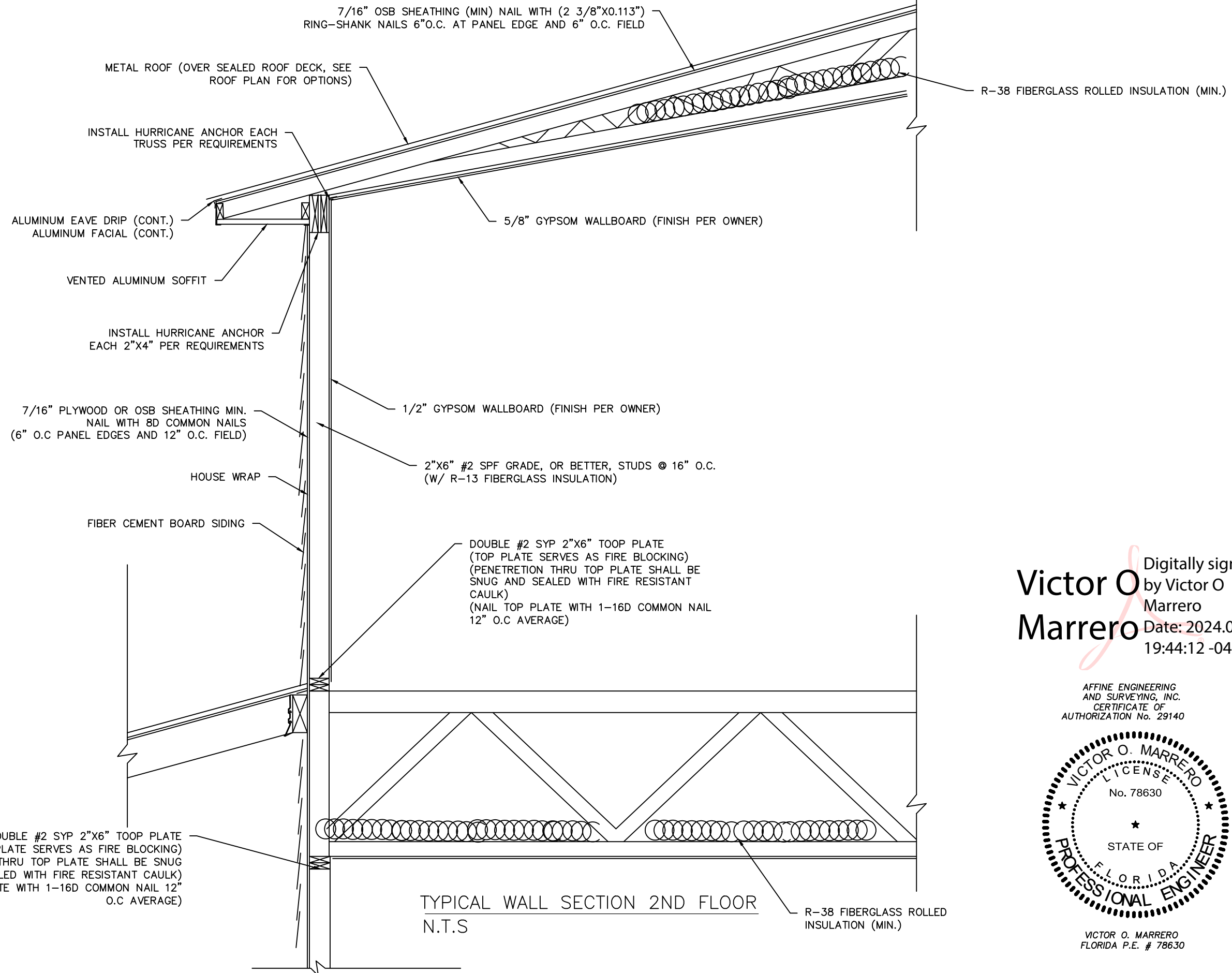
Victor O. Marrero
Digitally signed by Victor O. Marrero
Date: 2024.03.15 19:43:04 -04'00'

VICTOR O. MARRERO
FLORIDA P.E. # 78630

DRAWN BY: ERNESTO H. PEREZ
CHECKED BY: VICTOR O. MARRERO
DATE: 3/14/24
SCALE: 1/8" = 1'-0"
JOB #

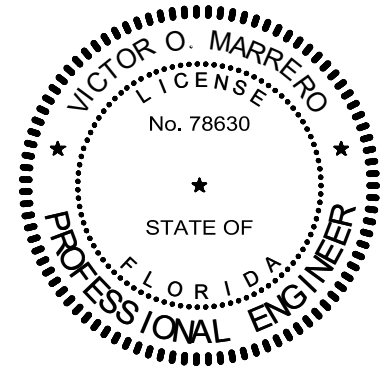
AFFINE ENGINEERING AND SURVEYING, INC.
SURVEYORS
AFFINE CIVIL ENGINEERS
TELEPHONE NUMBER 407-421-5534
10354 WEPSON STREET, ORLANDO, FLORIDA 32825
CERTIFICATE OF AUTHORIZATION: No. 29140

DRAWING FOR: ANDRES VELO
DATE: 03/14/2024
18-004 SHEET A-8
TYP WALL SECTION 1ST FLOOR



Victor O Marrero
 Digitally signed by Victor O Marrero
 Date: 2024.03.15 19:44:12 -04'00'

AFFINE ENGINEERING AND SURVEYING, INC.
 CERTIFICATE OF AUTHORIZATION No. 29140



VICTOR O. MARRERO
 FLORIDA P.E. # 78630

DRAWING FOR: ANDRES VELO
 SHEET A-9
 TYP WALL SECTION 2ND FLOOR
 AFFINE ENGINEERING AND SURVEYING, INC. SURVEYORS
 10354 JEFFERSON STREET, ORLANDO, FLORIDA 32825
 TELEPHONE NUMBER 407-421-5534
 CERTIFICATE OF AUTHORIZATION: No. 29140
 DRAWN BY: ERNESTO H. PEREZ
 CHECKED BY: VICTOR O. MARRERO
 DATE: 3/14/24
 SCALE:
 JOB # 021423VELO

DESIGN CRITERIA:

- DESIGNED IN ACCORDANCE WITH THE FLORIDA BUILDING CODE 8TH EDITION (2023).

CODE REFERENCES:

BUILDING CODE REQUIREMENTS FOR REINFORCED CONCRETE (ACI 318-14)
 SPECIFICATIONS FOR STRUCTURAL CONCRETE BUILDINGS (ACI 301-16)
 BUILDING CODE REQUIREMENTS FOR MASONRY STRUCTURES (ACI 530-13)
 NATIONAL DESIGN SPECIFICATION FOR WOOD CONSTRUCTION, 2024 EDITION
 APA PLYWOOD DESIGN SPECIFICATION
 NATIONAL ELECTRICAL CODE, 2023

- ALL COMPONENTS, SYSTEMS AND EQUIPMENT NOT SPECIFICALLY COVERED BY THESE PLANS SHALL BE DESIGNED AND CONSTRUCTED IN ACCORDANCE WITH THE APPLICABLE CODE(S).

PROJECT INFORMATION

OCCUPANCY GROUP: R-3
 MEAN ROOF HEIGHT: 33"-9.5"
 ROOF CROSS SLOPE: 4:12
 WALL HEIGHT: 9' ABOVE SLAB
 ROOF SNOW LOAD: ZERO PSF
 SEISMIC DESIGN CATEGORY: A
 FLOOD DESIGN DATA: ZONE X
 DANCE WITH ASCE MINIMUM DESIGN LOADS

- WIND LOADS IN ACCORDANCE WITH ASCE MINIMUM DESIGN LOAD FOR BUILDINGS AND OTHERS TRUCTURES (ASCE 7).

FLOOR AND ROOF LIVE LOADS:
 UNINHABITABLE ATTICS: 20 PSF
 HABITABLE ATTICS: 30 PSF
 ALL OTHER ROOMS: 40 PSF
 ROOFS: 20 PSF

WIND DESIGN DATA

ULTIMATE DESIGN WIND SPEED, VULT, (3-SECOND GUST): 130 MPH
 NOMINAL DESIGN WIND SPEED, VASD 93 MPH
 EXPOSURE CATERGORY: B
 IMPORTANCE FACTOR: 1.0
 RISK CATEGORY: II
 ENCLOSURE CLASSIFICATION: ENCLOSED
 INTERNAL PRESSURE COEFFICIENT: +/- 0.18

COMPONENT AND CLADDING DESIGN PRESSURES (PSF)

ROOF ZONE 1,2E: 9.60 - 9.80
 ROOF ZONE 2N: 9.60 - 25.25
 ROOF ZONE 2R: 9.60 - 25.25
 ROOF ZONE 3E: 9.60 - 25.25
 ROOF ZONE 3R: 9.60 - 28.55
 WALL ZONE 4: 14.50 - 15.90
 WALL ZONE 5: 14.50 - 17.69

STRUCTURAL DESIGN CRITERIA

LIVE LOADS
 ROOF: 20 PSF
 RESIDENTIAL FLOOR: 40 PSF
 WIND LOADS (BASED ON ASCE 7-16)
 VELOCITY: 130 MPH, USE FACTOR 1.0

CONCRETE STRENGTH @ 28 DAYS: 3000 PSI

REINFORCING

WELDED WIRE FABRIC SHALL CONFORM TO ASTM A185
 ALL REINFORCING BARS ASTM A615-40 40,000PSI
 ALL STIRRUPS AND TIES ASTM A615-40 40,000PS

CONCRETE MASONRY UNITS:
 ASTM C90-99B, STANDARD WEIGHT UNITS, FM=1500 PSI
 MORTOR TYPE "S" 1800 PSI
 CONCRETE GROUT 3000 PSI

STRUCTURAL STEEL:

ALL STRUCTURAL AND MISCELLANEOUS STEEL A36 36,000 PSI, U.N.O.
 ALL BOLTS CAST IN CONCRETE: ASTM A36 OR ASTM A-307

WOOD FRAMING:

BEAMS, RAFTERS, JOIST, PLATES, ETC. U.N.O.
 NO. 2 SOUTHERN YELLOW PINE (19% M.C.)
 ROOF DECK: PLYWOOD C-C/C-D, EXTERIOR OR OSB
 WALL SHEATING: PLYWOOD C-C/C-D, EXTERIOR OR OSB

WOOD ROOF TRUSSES (DESIGN LOADS):

TOP CHORD LIVE AND DEAD LOAD 30 PSF
 BOTTOM CHORD DEAD LOAD 10 PSF
 TOTAL 40 PSF

SOIL BEARING VALUE:

ASSUMED ALLOWABLE SOIL BEARING PRESSURE AFTER COMPACTION: 2000 PSF

TRUSS ANCHORS:

INSTALL THE FOLLOWING SIMPSON ANCHOR(S) AT EACH TRUSS TO EXTERIOR WALL INTERIOR
 LOAD BEARING WALL, AND PORCH BEAM LOCATIONS.

SINGLE PLY ROOF TRUSSES AND FLOOR JOIST TRUSSES - INSTALL SIMPSON H10A

DOUBLE PLY ROOF TRUSSES - INSTALL SIMPSON H10A-2

WALL STRAP TIES:

AT THE TOP AND BOTTOM OF THE WALL, INSTALL ONE SIMPSON SP6 AT EACH SIDE OF DOORS
 AND WINDOWS 4' OR LESS IN WIDTH, INSTALL TWO SIMPSON SP6S AT EACH SIDE OF DOORS
 AND WIDOWS LARGER THAN 4' BUT LESS THAN 6' AND AT 4' O.C. ON ALL EXTERIOR WALLS.
 INSTALL MSCT 40 TO PROVIDE CONTINUOUS LOAD PATH THROUGHOUT THE SYSTEM AND
 ACROSS THE CLEAR SPAN. FOR INTERIOR LOAD BEARING WALLS INSTALL ONE SP4 TOP AND
 BOTTOM OF WALL AT 32" O.C. AND EACH SIDE OF DOOR OPENINGS.

10' DOOR OPENING INSTALL THREE SIMPSON SP4 ON EACH SIDE AT THE BOTTOM OF THE
 WALL. INSTALL THREE SIMPSON LSTA18 (NAILS - 0.148 X 2 1/2) ON EACH SIDE AT THE TOP
 OF THE WALL (DOUBLE TOP PLATE, HEADER, CRIPPLES).

(5/8" THREADED ROD, EMBEDDED 10" INTO SLAB WITH SIMPSON EPOXY OR COUPLED WITH
 5/8" SIMPSON TITEN HD SCREW ANCHOR, UP THRU DOUBLE TOP PLATE WITH 3" SQUARE
 PLATE WASHER MAY BE SUBSTITUTED FOR SP6 INSTALLATIONS).

SHEATHING

WALL SHEATHING SHALL BE INSTALLED WITH LONG DIMENSION VERTICAL ON EXTERIOR WALLS
 AND FULL-DEPTH BLOCKING SHALL BE REQUIRED AT HORIZONTAL JOINTS IN SHEATHING.

FRONT AND REAR PORCH COLUMNS AND BEAMS:

** (CONSULT HOMEOWNER FOR DECORATIVE ENTRY BEAM OPTIONS). COLUMNS SHALL BE 6"x6"
 PT. LOAD BEARING BEAM(S): 2 - 2"x12" SYP W/ 7/16" PLYWOOD BETWEEN. INSTALL
 SIMPSON ABU66 FOR COLUMN CONNECTIONS TO SLAB AND FOR COLUMN TOP INSTALL
 SIMPSON AC6MAX AT EACH COLUMN TO BEAM CONNECTION. (ACE6MAX MAY BE INSTALLED AT
 END COLUMNS) INSTALL SIMPSON HUCQ412-SDS AT BEAM TO EXTERIOR WALL LOCATIONS.

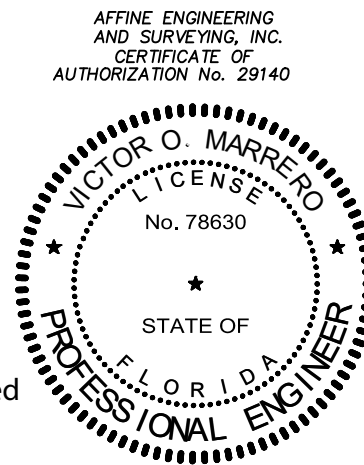
PORCH CEILINGS:
OPEN STRUCTURE.

HEADER SCHEDULE:

| LOCATION | HEADER | JACK STUDS /KING STUDS |
|----------------------------|---|---------------------------|
| FIRST FLOOR | | |
| DOORS AND WINDOWS (3') | 3 - 2"x8" SYP W/ 7/16" PLYWOOD BETWEEN | 1/1 |
| DOORS AND WINDOWS (4') | 3 - 2"x10" SYP W/ 7/16" PLYWOOD BETWEEN | 1/2 |
| DOORS AND WINDOWS (5') | 2 - 2"x8" LOUSINA PACIFIC - LVL | 2/2 |
| DOORS AND WINDOWS (6') | 3 - 2"x8" LOUSINA PACIFIC - LVL | 2/2 |
| DOORS AND WINDOWS (8') | 2 - 2"x12" LOUSINA PACIFIC - LVL | 3/3 |
| SECOND FLOOR | | |
| DOORS AND WINDOWS (3') | 2 - 2"x6" SYP W/ 7/16" PLYWOOD BETWEEN | 1/1 |
| DOORS AND WINDOWS (4') | 2 - 2"x6" SYP W/ 7/16" PLYWOOD BETWEEN | 1/2 |
| DOORS AND WINDOWS (6'-10") | 3 - 2"x6" SYP W/ 7/16" PLYWOOD BETWEEN | 2/3 |

Victor O
Marrero

Digitally signed
by Victor O
Marrero
Date: 2024.03.16
08:15:41 -04'00'



VICTOR O. MARRERO
FLORIDA P.E. # 78630

VICTOR O. MARRERO
FLORIDA P.E. # 78630

DATE: 03/15/2024

DRAWING
18-004

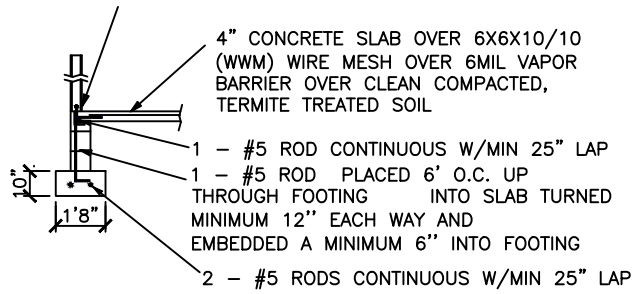
PREPARED FOR:
SHEET
A-10

ANDRES VELO
DESIGN CRITERIA

DRAWN BY: ERNESTO H. PEREZ
 CHECKED BY: VICTOR O. MARRERO
 DATE: 3/15/24
 SCALE: 021423VELO
 JOB #:

AFFINE ENGINEERING AND SURVEYING, INC
 CIVIL ENGINEERS
 SURVEYORS
 TELEPHONE NUMBER 407-421-5534
 10354 JEFFERSON STREET, ORLANDO, FLORIDA 32825
 CERTIFICATE OF AUTHORIZATION: No. 29140

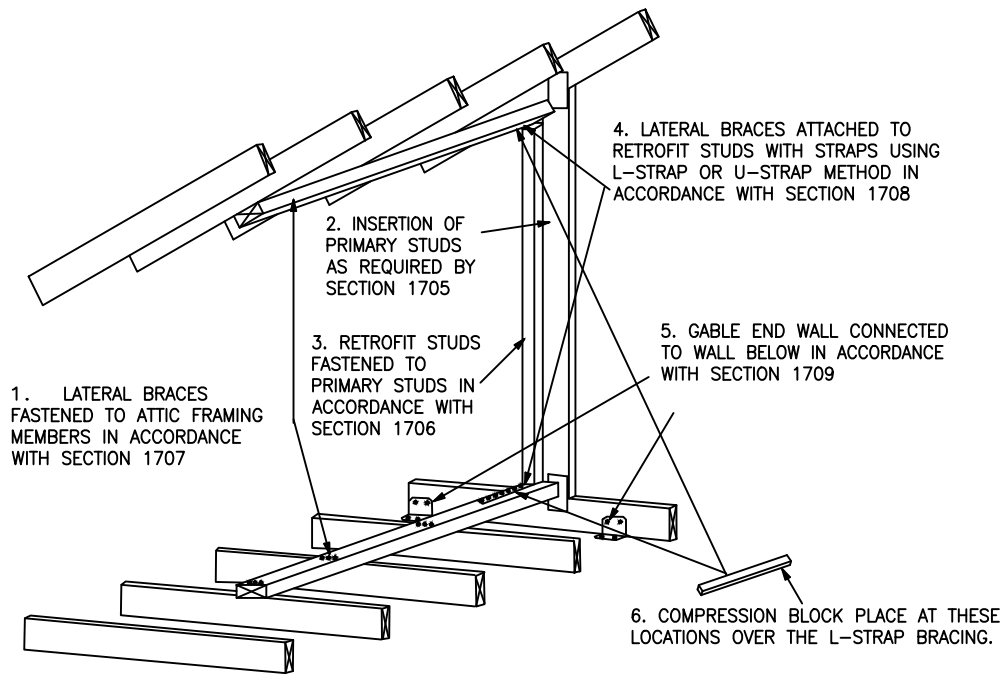
P.T 2X4 BOTTOM PLATE W/SILL SEALANT
 8"x10"ANCHOR BOLTS 4' MAX O.C. W/
 3"x3"x1/8"WASHER AT EACH BOLT



(A) STEM WALL FOUNDATION (TYP)

FOUNDATION NOTES

1. THE SLAB SHALL BE 4" CONCRETE SLAB REINFORCED w/ 6X6-1.4/1.4 WELDED WIRE MESH PLACED ON CHAIRS 1 1/2" DEPTH OR FIBER MESH CONCRETE, 6-MIL POLY VAPOR BARRIER w/ 6" LAPS SEALED w/ POLY TAPE OVER TERMITE-TREATED & COMPACTED FILL
2. BOTTOM OF EXTERIOR FOOTINGS SHALL BE A MINIMUM OF 12" BELOW UNDISTURBED SOIL OR ENGINEERED FILL PER FBC-RES. SECTION R403.1.4

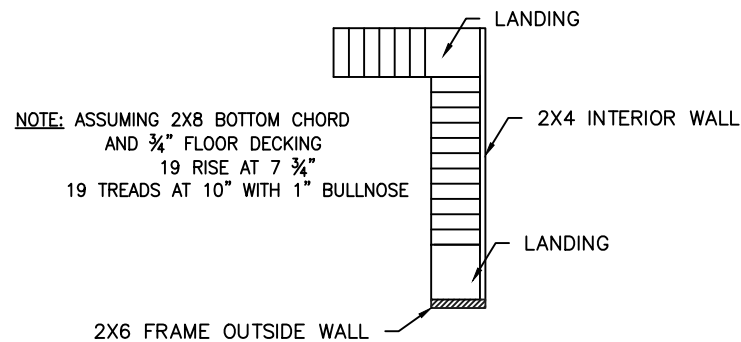
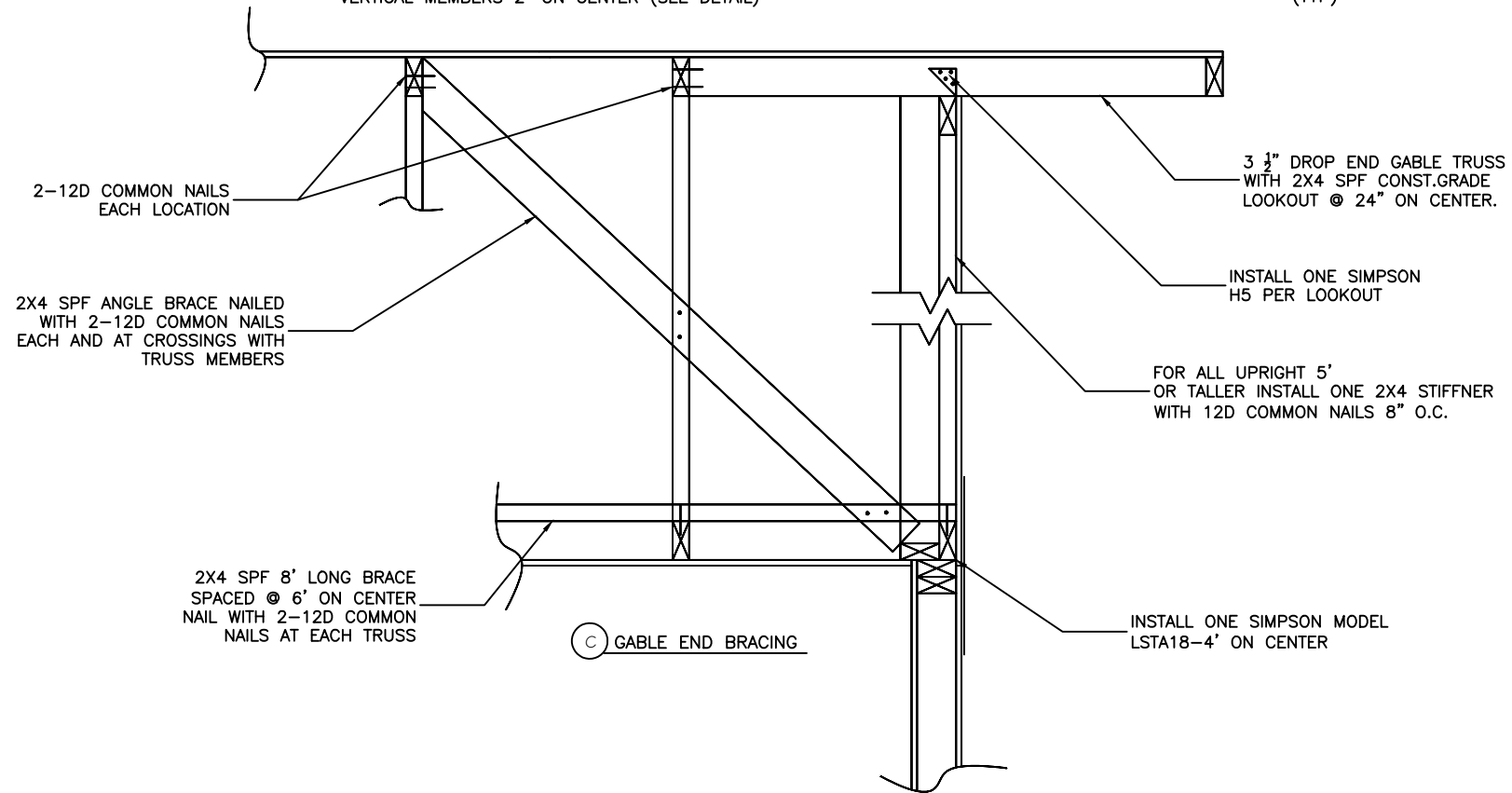


THIS FIGURE SHOWS A TRUSS GABLE END USING THE L-BENT STRAP METHOD IN ORDER TO SHOW STRAPS, COMPRESSION BLOCKS ARE NOT SHOWN. THE METHODOLOGY FOR A CONVENTIONALLY FRAMED GABLE END IS SIMILAR. NOT ALL DETAILS ARE SHOWN.

(C) GABLE AND BRACING

GABLE ENDS:
 AT GABLE ENDS INSTALL ONE SIMPSON MODEL H5 ANCHOR LOOKOUTS CONNECT TO END GABLE TRUSS.

BRACING: AT EACH GABLE END INSTALL ONE 2X4 SPF 8' STUD SPACED 6' ON CENTER HORIZONTAL ALONG TOP OF BOTTOM CHORD OF TRUSSES, NAIL WITH 2-12D NAILS AT EACH TRUSS INCLUDING END TRUSS. IN ADDITION, INSTALL A 2X4 BRACE EXTENDING FROM THIS STUD AT THE GABLE END TRUSS 45 DEGREES TO THE TRUSS AT ROOF SHEATHING, NAIL WITH 2-12D NAILS WHERE IT CROSSES TRUSS MEMBERS AND AT ENDS. GABLE END TRUSS SHALL BE BUILT TO RECEIVE SHEATHING WITH VERTICAL MEMBERS 2' ON CENTER (SEE DETAIL)



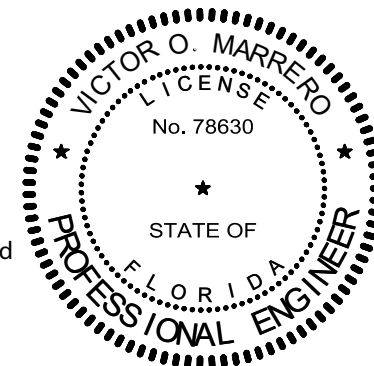
(B) STAIR DETAIL (TYP)

| WINDOW TYPES | WIDTH | HEIGHT |
|--------------|-------|--------|
| W-1 | 60" | 72" |
| W-2 | 48" | 36" |
| W-3 | 36" | 24" |

| DOOR TYPES | WIDTH | HEIGHT |
|------------|--------------------|--------|
| D-1 | 72"-12" SIDE PANEL | 80" |
| D-2 | 36"-12" SIDE PANEL | 80" |
| D-3 | 36" | 80" |
| D-4 | 30" | 80" |

(D) WINDOWS AND DOORS (TYP)

AFFINE ENGINEERING AND SURVEYING, INC.
 CERTIFICATE OF AUTHORIZATION No. 29140



Victor O Marrero
 Digitally signed by Victor O Marrero
 Date: 2024.03.15 19:58:18 -04'00'

VICTOR O. MARRERO
 FLORIDA P.E. # 78630

VICTOR O. MARRERO
 FLORIDA P.E. # 78630

DATE 03/14/2024

PREPARED FOR:

ANDRES VELO

18-004 SHEET A-11

NOTES AND DETAILS



AFFINE ENGINEERING AND SURVEYING, INC.
 AFFINE CIVIL ENGINEERS
 SURVEYORS
 TELEPHONE NUMBER 407-421-5534
 10354 WEPSON STREET, ORLANDO, FLORIDA 32825
 CERTIFICATE OF AUTHORIZATION: No. 29140

DRAWN BY: ERNESTO H. PEREZ
 CHECKED BY: VICTOR O. MARRERO
 DATE: 3/14/24
 SCALE: JOB #:
 021423VELO

SEALED ROOF PLAN OPTIONS:

OPTION I

A layer of self-adhering polymer-modified bitumen underlayment complying with ASTM D1970 applied over the entire roof.

OPTION II

Either
 (A min. 4-inch wide strip of self-adhering polymer-modified bitumen complying with ASTM D1970 or
 A min. 3 3/4 - inch wide strip of self adhering flexible flashing tape complying with AAMA 711) applied over all joints in the roofing deck.
 with
 One layer of #30 felt underlayment complying with ASTM D226 Type II, ASTM D4869 Type III or IV, or ASTM D4533, or a synthetic underlayment complying with ASTM D226 Type II (min. tear strength 15 lb ASTM D4533, min. tensile strength 20 lbf/in ASTM D5035)

See installation below:

OPTION III

Two layers of #30 felt underlayment complying with ASTM D226 Type II, ASTM D4869 Type III or IV, or ASTM D6757, or a synthetic underlayment complying with ASTM D226 Type II (min. tear strength 15 lbf ASTM D4533, min. tensile strength 20 lbf/in ASTN D5035)

See installation below:

INSTALLATION

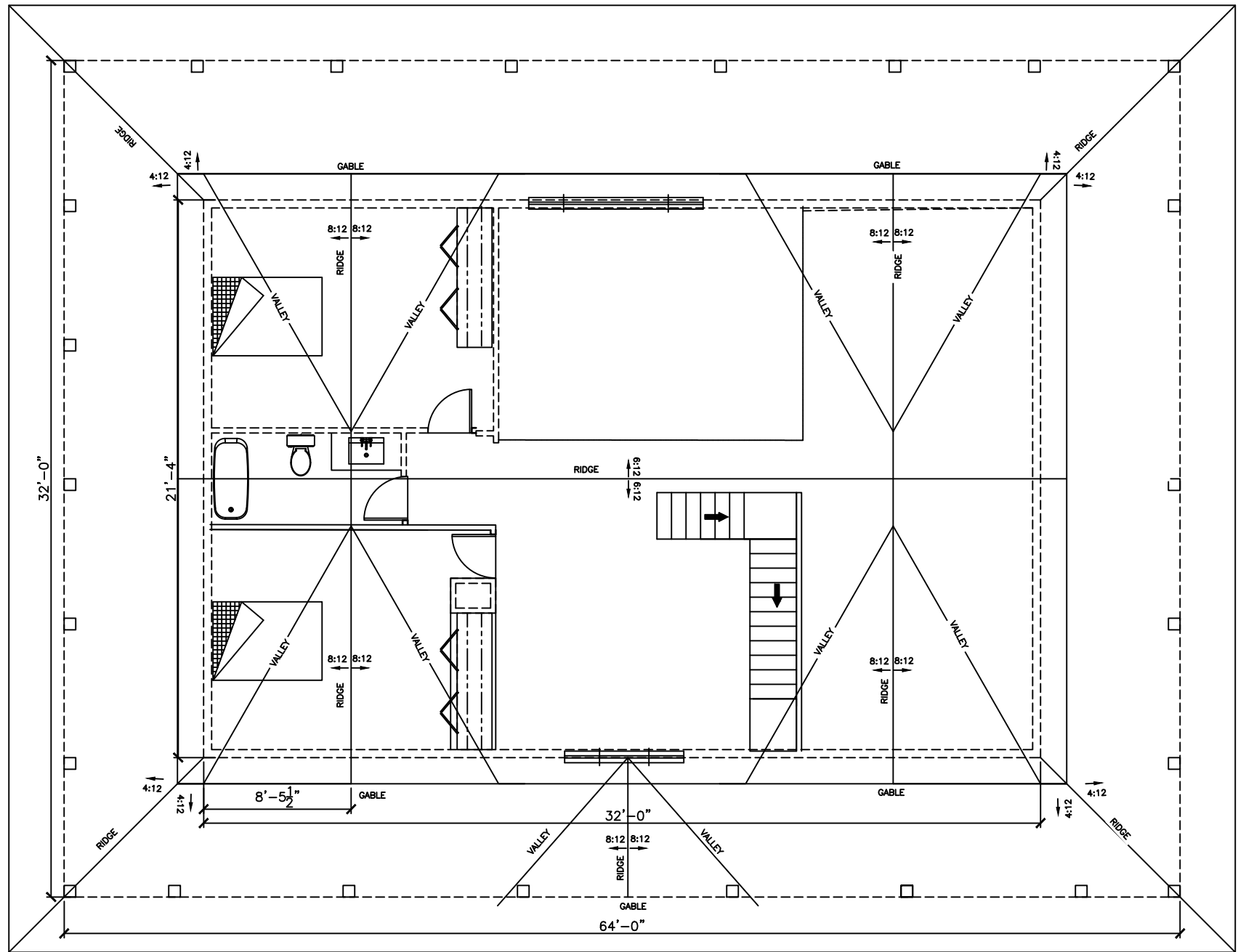
Apply a 19-inch strip of underlayment felt parallel to and starting at the eaves, fastened sufficiently to hold in place. Starting at the eave, apply 36-inch-wide sheet of underlayment, overlapping successive sheets in 19 inches; end laps shall be 6 inches and shall be offset by 6 feet.

The underlayment shall be attached to a nailable deck with corrosion resistance fasteners with one row centered in the field of the sheet with a maximum fastener spacing of 12 inches o.c., and one row at the end and side laps fastened 6 inches o.c. Underlayment shall be attached using annular ring or deformed shank nails with meal or plastic caps with a nominal cap diameter of not less than 1 inch.

Metal caps shall have a thickness of not less than 32-gage sheet metal. Power driven metal caps shall have a minimum thickness of 0.010 inch. The minimum thickness of the outside edge of plastic caps shall be 0.035 inches. The cap nail shank shall have a length sufficient to penetrate through the roof sheathing or not less than 3/4 inch into the roof sheathing.

| ROOF SHEATHING FASTNERS | | | |
|-------------------------|----------------|------------------------------------|---------------|
| PRESSURE ZONE | SHEATHING TYPE | FASTNER | SPACING |
| ALL ZONES | 15/32" OSB | (2 3/8" x 0.113" RING SHANK NAILS) | 6" O.C. EDGE |
| | | | 6" O.C. FIELD |

| | | | |
|----|--|----|----|
| 3e | | 2e | 3e |
| 2n | | 1 | 2n |
| 3r | | 2r | 3r |
| 3r | | 2r | 3r |
| 2n | | 1 | 2n |
| 3e | | 2e | 3e |



Roof component and cladding pressure zones (gable roof) (7 to <= 45 degrees)

Digitally signed by Victor O Marrero
 Date: 2024.03.16 08:20:24 -04'00'

AFFINE ENGINEERING AND SURVEYING, INC.
 CERTIFICATE OF AUTHORIZATION No. 29140

VICTOR O. MARRERO
 LICENSE No. 78630
 STATE OF FLORIDA
 PROFESSIONAL ENGINEER

VICTOR O. MARRERO
 FLORIDA P.E. # 78630

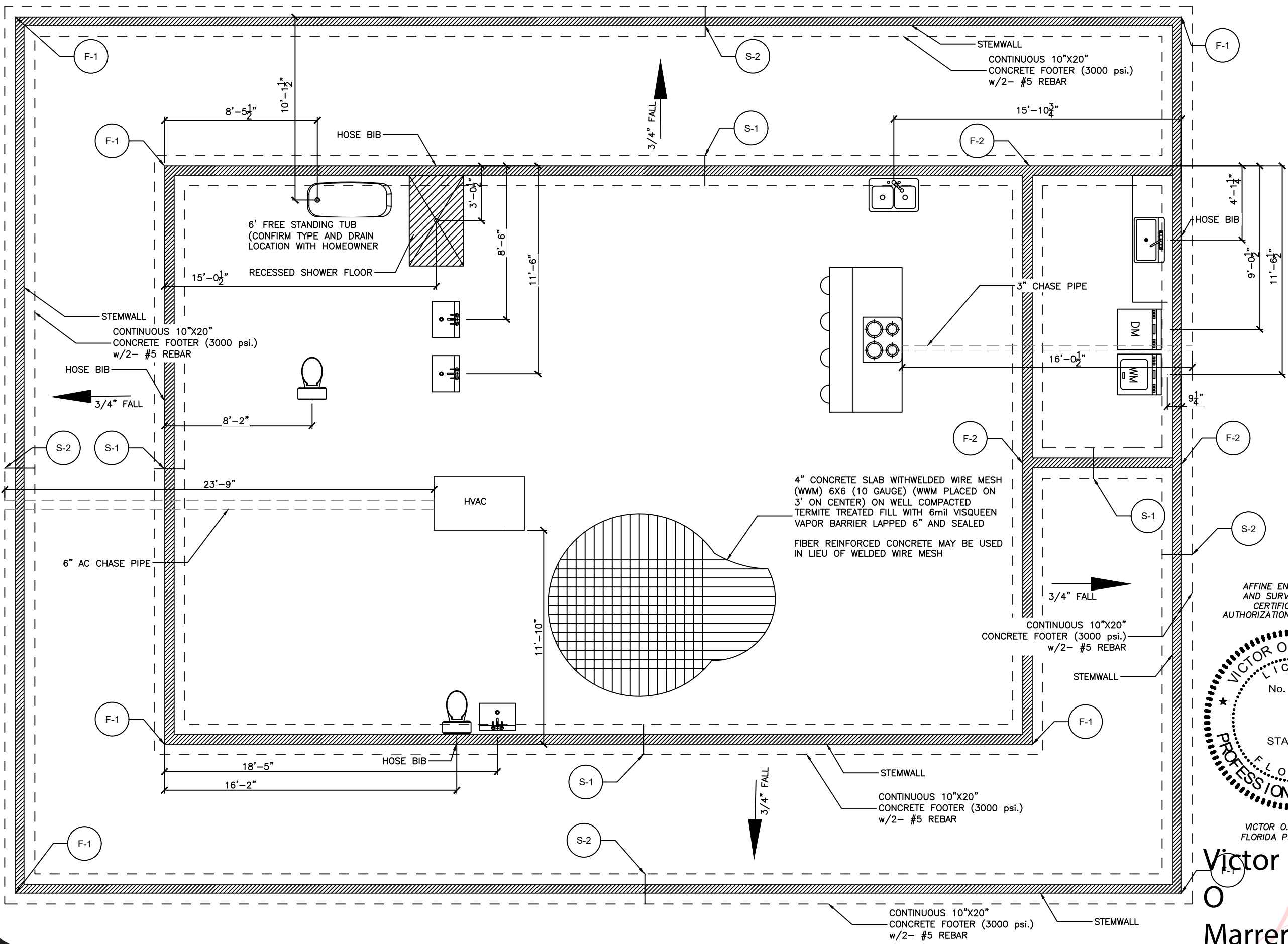
DRAWING FOR: ANDRES VELO
 SHEET A-12
 ROOF PLAN

PREPARED FOR: ANDRES VELO
 DATE: 03/15/2024

VICTOR O. MARRERO
 FLORIDA P.E. # 78630

AFFINE ENGINEERING AND SURVEYING, INC.
 CIVIL ENGINEERS
 TELEPHONE NUMBER 407-421-5534
 10354 JEFFERSON STREET, ORLANDO, FLORIDA 32825
 CERTIFICATE OF AUTHORIZATION: No. 29140

DRAWN BY: ERNESTO H. PEREZ
 CHECKED BY: VICTOR O. MARRERO
 DATE: 3/15/24
 SCALE: 1/8"=1'
 JOB #: 021432VELO

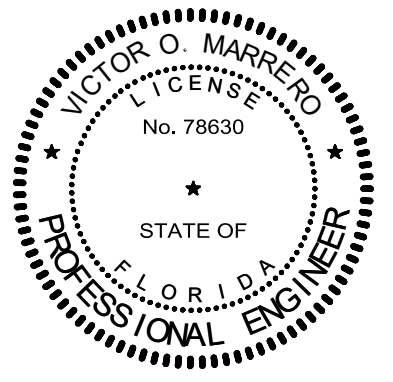


DRAWN BY: ERNESTO H. PEREZ
 CHECKED BY: VICTOR O. MARRERO
 DATE: 3/14/24
 SCALE: 3/16"=1"
 JOB #: 021423VELO

AFFINE ENGINEERING AND SURVEYING, INC
 SURVEYORS
 CIVIL ENGINEERS
 TELEPHONE NUMBER 407-421-5534
 10354 JEPSON STREET, ORLANDO, FLORIDA 32825
 CERTIFICATE OF AUTHORIZATION: No. 29140

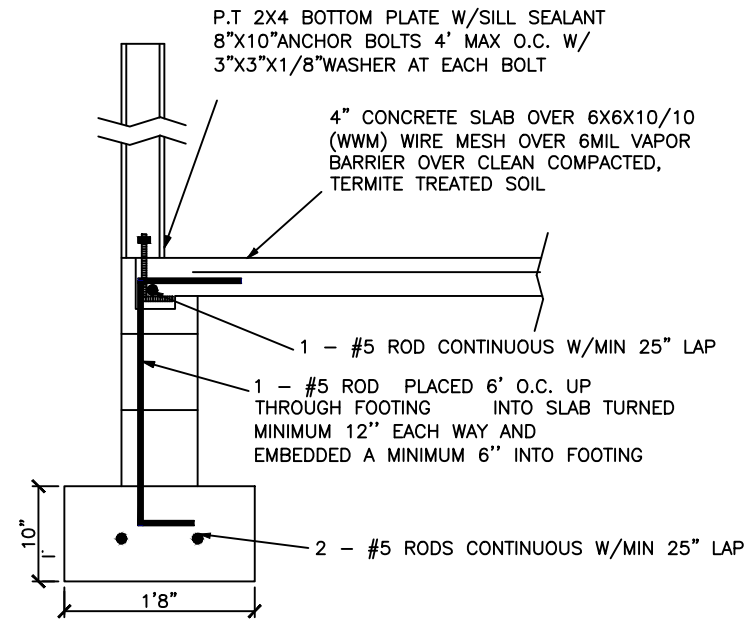


AFFINE ENGINEERING AND SURVEYING, INC.
 CERTIFICATE OF AUTHORIZATION No. 29140



VICTOR O. MARRERO
 FLORIDA P.E. # 78630
Victor O. Marrero
 Digitally signed by Victor O. Marrero
 Date: 2024.03.15 20:00:55 -04'00'

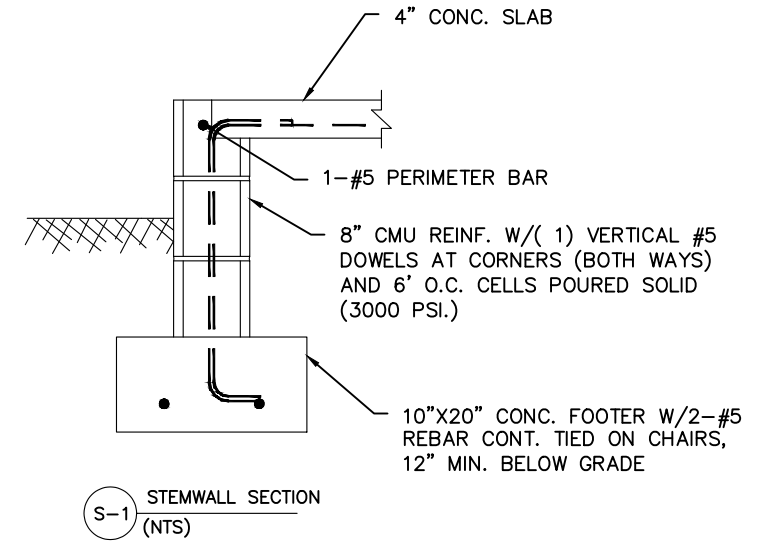
PREPARED FOR: ANDRES VELO
 FUNDATION AND PLUMBING
 DATE: 03/14/2024
 DRAWING: 18-004
 SHEET: A-13



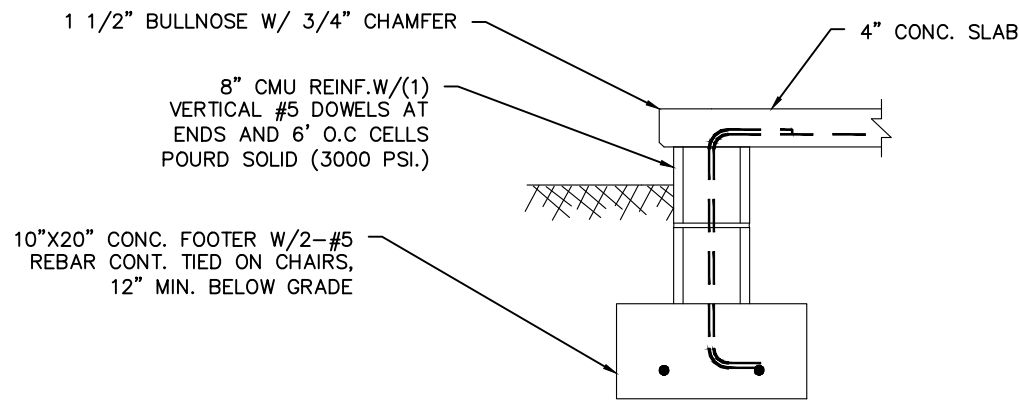
(A) STEM WALL FOUNDATION (TYP)

FOUNDATION NOTES

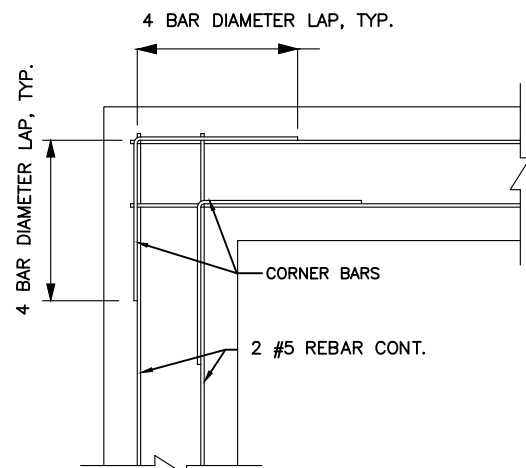
1. THE SLAB SHALL BE 4" CONCRETE SLAB REINFORCED w/ 6X6-1.4/1.4 WELDED WIRE MESH PLACED ON CHAIRS 1 1/2" DEPTH OR FIBER MESH CONCRETE, 6-MIL POLY VAPOR BARRIER w/ 6" LAPS SEALED w/ POLY TAPE OVER TERMITE-TREATED & COMPACTED FILL
2. BOTTOM OF EXTERIOR FOOTINGS SHALL BE A MINIMUM OF 12" BELOW UNDISTURBED SOIL OR ENGINEERED FILL PER FBC-RES. SECTION R403.1.4



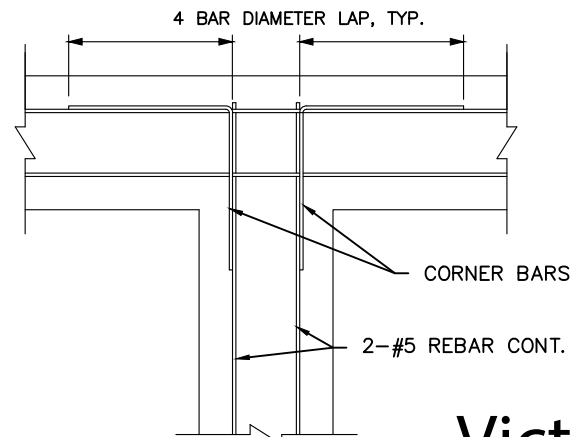
(S-1) STEMWALL SECTION (NTS)



(S-2) STEMWALL SECTION AT PORCH (NTS)



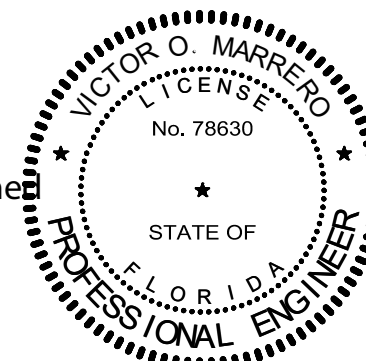
(F-1) FOOTING REINFORCING AT CORNER (NTS)



(F-2) FOOTING REINFORCING AT INTERSECTION (NTS)

Victor O Marrero
 Digitally signed by Victor O Marrero
 Date: 2024.03.14 22:48:21 -04'00'

AFFINE ENGINEERING AND SURVEYING, INC.
 CERTIFICATE OF AUTHORIZATION No. 29140



VICTOR O. MARRERO
 FLORIDA P.E. # 78630

VICTOR O. MARRERO
 FLORIDA P.E. # 78630

DATE: 03/14/2024

PREPARED FOR: ANDRES VELO

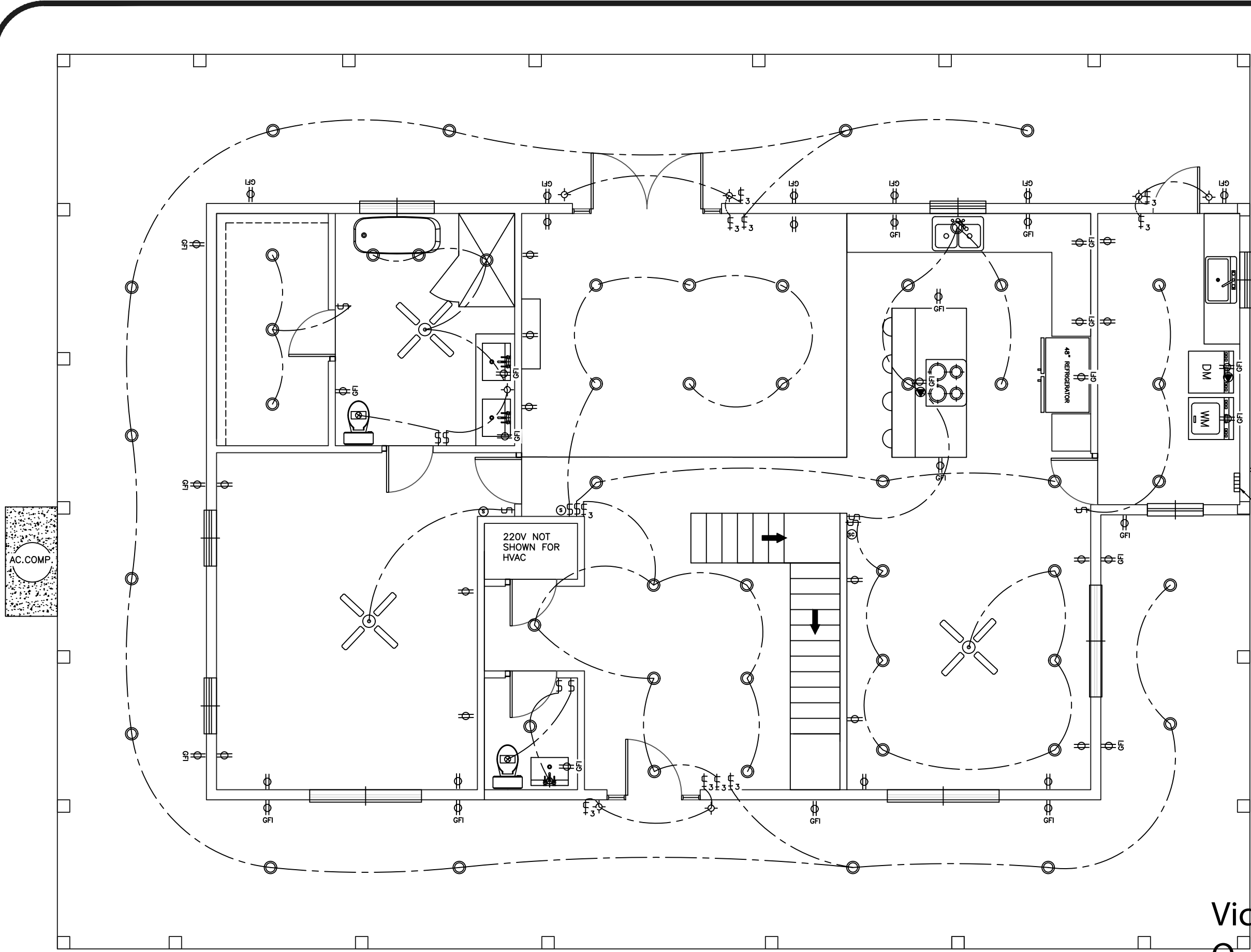
18-004 SHEET A-14

FOUNDATION DETAILS



AFFINE ENGINEERING AND SURVEYING, INC.
 SURVEYORS
 CIVIL ENGINEERS
 TELEPHONE NUMBER 407-421-5534
 10354 JEFFERSON STREET, ORLANDO, FLORIDA 32825
 CERTIFICATE OF AUTHORIZATION: No. 29140

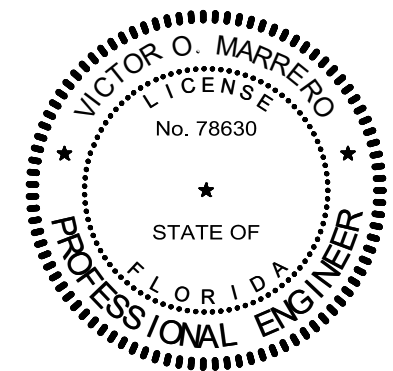
DRAWN BY: ERNESTO H. PEREZ
 CHECKED BY: VICTOR O. MARRERO
 DATE: 3/14/24
 SCALE: JOB # 021423VELO



- ELECTRICAL LEGEND**
- ✂ - CEILING FAN
 - - LIGHT FIXTURE
 - - RECESSED L.E.D CAN LIGHT FIXTURE
 - § - SINGLE POLE SWITCH
 - ƒ₃ - THREE WAY SWITCH
 - ⊕ - RECEPT.
 - ⊕_{GFI} - GFI RECEPT
 - ⊕_{EL} - EXHAUST/LIGHT (MINIMUM 150 CFM)
 - ⊕_{220V} - 220V
 - ⊕_{SD} - SMOKE DETECTOR (AC/DC AND INTERCONNECTED)
 - ⊕_{TR} - TELEPHONE AND RG6-COAX
 - ⊕_{SCM} - SMOKE/CARBON MONOXIDE DETECTOR COMBINATION (AC/DC AND INTERCONNECTED)

- NOTES:**
1. ALL ELECTRICAL COMPONENTS, EQUIPMENT AND SYSTEMS SHALL COMPLY WITH THE PROVISION OF NFPA 70 NATIONAL ELECTRICAL CODE (LATEST EDITION).
 2. ALL EXTERIOR RECEPTACLES SHALL BE WEATHERPROOF.
 3. ALL BEDROOM RECEPTACLES SHALL BE CHILD RESISTANT

AFFINE ENGINEERING AND SURVEYING, INC.
 CERTIFICATE OF AUTHORIZATION No. 29140



VICTOR O. MARRERO
 FLORIDA P.E. # 78630

Victor O. Marrero
 Digitally signed by Victor O. Marrero
 Date: 2024.03.14 22:53:32 -0400

DRAWN BY: ERNESTO H. PEREZ
 CHECKED BY: VICTOR O. MARRERO
 DATE: 3/14/24
 SCALE: 3/16"=1"
 JOB #: 021423VELO

AFFINE ENGINEERING AND SURVEYING, INC.
 AFFINE CIVIL ENGINEERS
 SURVEYORS
 TELEPHONE NUMBER 407-421-5534
 10354 JEPSON STREET, ORLANDO, FLORIDA 32825
 CERTIFICATE OF AUTHORIZATION: No. 29140



DRAWING FOR: ANDRES VELO
 SHEET: A-15
 1ST FLOOR ELECTRICAL PLAN

AC.COMP.

220V NOT SHOWN FOR HVAC

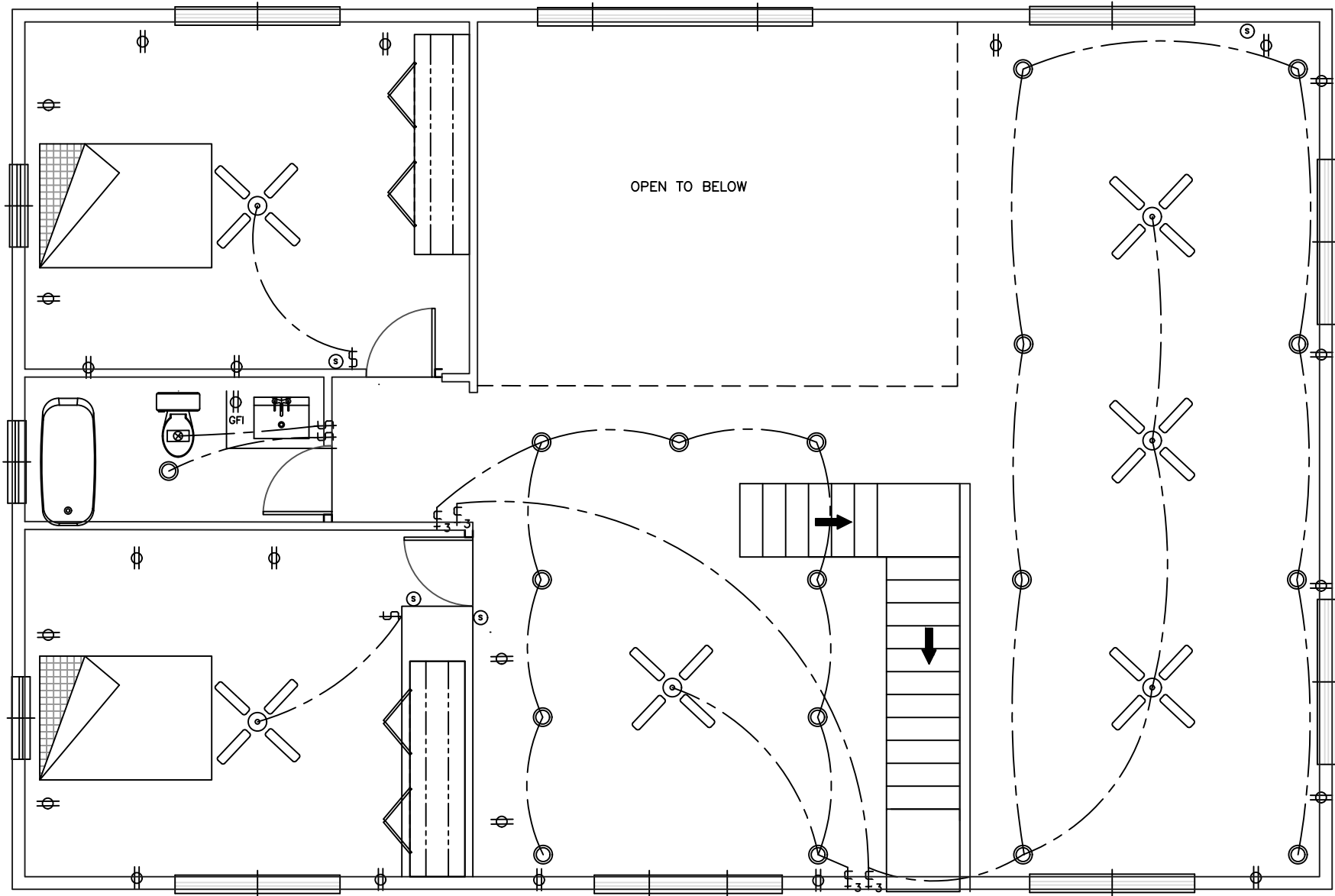
48" REFRIGERATOR

DM
 WM

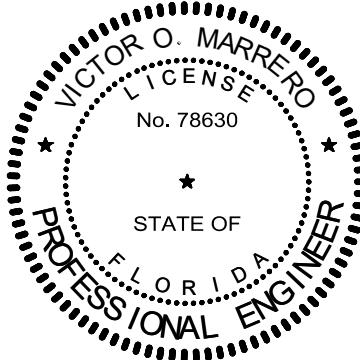
ELECTRICAL PANEL

- ELECTRICAL LEGEND**
- ✕ - CEILING FAN
 - - LIGHT FIXTURE
 - - RECESSED L.E.D CAN LIGHT FIXTURE
 - ⌚ - SINGLE POLE SWITCH
 - ⌚₃ - THREE WAY SWITCH
 - ⊕ - RECEPT.
 - ⊕ - GFI RECEPT
 - ⊕ - EXHAUST/LIGHT (MINIMUM 150 CFM)
 - - 220V
 - ⊙ - SMOKE DETECTOR (AC/DC AND INTERCONNECTED)
 - ⊕ - TELEPHONE AND RG6-COAX
 - ⊙ - SMOKE/CARBON MONOXIDE DETECTOR COMBINATION (AC/DC AND INTERCONNECTED)

- NOTES:**
1. ALL ELECTRICAL COMPONENTS, EQUIPMENT AND SYSTEMS SHALL COMPLY WITH THE PROVISION OF NFPA 70 NATIONAL ELECTRICAL CODE (LATEST EDITION).
 2. ALL EXTERIOR RECEPTACLES SHALL BE WEATHERPROOF.
 3. ALL BEDROOM RECEPTACLES SHALL BE CHILD RESISTANT



Victor O Marrero
 Digitally signed by Victor O Marrero
 Date: 2024.03.15 19:08:01 -04'00'



AFFINE ENGINEERING AND SURVEYING, INC.
 CERTIFICATE OF AUTHORIZATION No. 29140

VICTOR O. MARRERO
 FLORIDA P.E. # 78630

DATE 03/14/2024

PREPARED FOR:

ANDRES VELO
 SHEET A-16

2ND FLOOR ELECTRICAL PLAN



AFFINE ENGINEERING AND SURVEYING, INC.
 CIVIL ENGINEERS SURVEYORS
 TELEPHONE NUMBER 407-421-5534
 10354 JEPSON STREET, ORLANDO, FLORIDA 32825
 CERTIFICATE OF AUTHORIZATION: No. 29140

DRAWN BY ERNESTO H. PEREZ
 CHECKED BY VICTOR O. MARRERO
 DATE 3/14/24
 SCALE 3/16"=1'
 JOB # 021423VELO