

COA #0 278
 Florida Certificate of Product Approval #FL1999
 10/01/2025

Alpine, an ITW Company
 155 Harlem Ave
 North Building, 4th Floor
 Glenview, IL 60025
 Phone: (800)755-6001
 www.alpineitw.com

This item has been digitally signed by Douglas Fleming on the date adjacent to the seal.

Printed copies of this document are not considered signed and sealed and the signature must be verified on any electronic copies.

Site Information:	Page 1:
Customer: Seminole Trusses, Inc.	Job Number: B61790R
Job Description: Gardner Residence	
Address: Lake City, FL	

Job Engineering Criteria:	
Design Code: FBC 8th Ed. 2023 Res.	IntelliVIEW Version: 24.02.00C through 25.01.00C JRef #: 1YdU8570005
Wind Standard: ASCE 7-22 Wind Speed (mph): 140	Design Loading (psf): 37
Building Type: Enclosed	

This package contains general notes pages, 34 truss drawing(s) and 4 detail(s).

Item	Drawing Number	Truss
1	273.25.1541.33050	A01
3	273.25.1541.38160	A03
5	273.25.1541.42567	A05
7	273.25.1541.47650	A07
9	273.25.1541.51660	B02
11	273.25.1542.12053	B04
13	273.25.1542.15303	B06
15	273.25.1542.22873	B08
17	273.25.1542.26167	B10
19	273.25.1542.28550	C01
21	273.25.1542.31220	D01
23	273.25.1542.33927	D03
25	273.25.1542.36770	G01
27	273.25.1542.39630	H02
29	273.25.1542.42740	PB02
31	273.25.1542.45680	PB04
33	273.25.1543.30200	VL02
35	REPCHRD1014	
37	PB160220723	

Item	Drawing Number	Truss
2	273.25.1541.36023	A02
4	273.25.1541.39613	A04
6	273.25.1541.45913	A06
8	273.25.1541.49223	B01
10	273.25.1545.35320	B03
12	273.25.1542.13950	B05
14	273.25.1542.16767	B07
16	273.25.1542.24507	B09
18	273.25.1542.27400	B11
20	273.25.1542.30003	C02
22	273.25.1542.32630	D02
24	273.25.1542.35397	E01
26	273.25.1542.38243	H01
28	273.25.1542.41543	PB01
30	273.25.1542.44300	PB03
32	273.25.1542.48480	VL01
34	273.25.1543.34707	VL03
36	BRCLBSUB0119	
38	160TL	



General Notes

Truss Design Engineer Scope of Work, Design Assumptions and Design Responsibilities:

The design responsibilities assumed in the preparation of these design drawings are those specified in ANSI/TPI 1, Chapter 2; and the National Design Standard for Metal Plate Connected Wood Truss Construction, by the Truss Plate Institute. The truss component designs conform to the applicable provisions of ANSI/TPI 1 and NDS, the National Design Specification for Wood Construction by AWC. The truss component designs are based on the specified loading and dimension information furnished by others to the Truss Design Engineer. The Truss Design Engineer has no duty to independently verify the accuracy or completeness of the information provided by others and may rely on that information without liability. The responsibility for verification of that information remains with others neither employed nor controlled by the Truss Design Engineer. The Truss Design Engineer's seal and signature on the attached drawings, or cover page listing these drawings, indicates acceptance of professional engineering responsibility solely for the truss component designs and not for the technical information furnished by others which technical information and consequences thereof remain their sole responsibility.

The suitability and use of these drawings for any particular structure is the responsibility of the Building Designer in accordance with ANSI/TPI 1 Chapter 2. The Building Designer is responsible for determining that the dimensions and loads for each truss component match those required by the plans and by the actual use of the individual component, and for ascertaining that the loads shown on the drawings meet or exceed applicable building code requirements and any additional factors required in the particular application. Truss components using metal connector plates with integral teeth shall not be placed in environments that will cause the moisture content of the wood in which plates are embedded to exceed 19% and/or cause corrosion of connector plates and other metal fasteners.

The Truss Design Engineer shall not be responsible for items beyond the specific scope of the agreed contracted work set forth herein, including but not limited to: verifying the dimensions of the truss component, calculation of any of the truss component design loads, inspection of the truss components before or after installation, the design of temporary or permanent bracing and their attachment required in the roof and/or floor systems, the design of diaphragms or shear walls, the design of load transfer connections to and from diaphragms and shear walls, the design of load transfer to the foundation, the design of connections for truss components to their bearing supports, the design of the bearing supports, installation of the truss components, observation of the truss component installation process, review of truss assembly procedures, sequencing of the truss component installation, construction means and methods, site and/or worker safety in the installation of the truss components and/or its connections.

This document may be a high-quality facsimile of the original engineering document which is a digitally signed electronic file with third party authentication. A wet or embossed seal copy of this engineering document is available upon request.

Temporary Lateral Restraint and Bracing:

Temporary lateral restraint and diagonal bracing shall be installed according to the provisions of BCSI chapters B1, B2, B7 and/or B10 (Building Component Safety Information, by TPI and SBCA), or as specified by the Building Designer or other Registered Design Professional. The required locations for lateral restraint and/or bracing depicted on these drawings are only for the permanent lateral support of the truss members to reduce buckling lengths, and do not apply to and may not be relied upon for the temporary stability of the truss components during their installation.

Permanent Lateral Restraint and Bracing:

The required locations for lateral restraint or bracing depicted on these drawings are for the permanent lateral support of the truss members to reduce buckling lengths. Permanent lateral support shall be installed according to the provisions of BCSI chapters B3, B7 and/or B10, or as specified by the Building Designer or other Registered Design Professional. These drawings do not depict or specify installation/erection bracing, wind bracing, portal bracing or similar building stability bracing which are parts of the overall building design to be specified, designed, and detailed by the Building Designer.

Connector Plate Information:

Alpine connector plates are made of ASTM A653 or ASTM A1063 galvanized steel with the following designations, gauges and grades: W=Wave, 20ga, grade 40; H=High Strength, 20ga, grade 60; S=Super Strength, 18ga, grade 60. Information on model code compliance is contained in the ICC Evaluation Service report ESR-1118, available on-line at www.icc-es.org.

Bearing Information:

The bearing area factor, C_b , is considered for the allowable capacity of solid sawn wood bearings supporting trusses that are located a minimum of 3" from the end of the lumber piece.

General Notes (continued)

Coated Lumber:

Coated lumber must be properly re-dried and maintained below 19% or less moisture level through all stages of construction and usage. Coated lumber has no adjustments to lumber properties. Coated lumber may be more brittle than uncoated lumber. Special handling care must be taken to prevent breakage during all handling activities. Refer to manufacturer literature, specifications, and code evaluation reports for restrictions, details, and requirements.

Fire Retardant Treated Lumber:

Fire retardant treated lumber must be properly re-dried and maintained below 19% or less moisture level through all stages of construction and usage. Fire retardant treated lumber may be more brittle than untreated lumber. Special handling care must be taken to prevent breakage during all handling activities.

Key to Terms:

Information provided on drawings reflects a summary of the pertinent information required for the truss design. Detailed information on load cases, reactions, member lengths, forces and members requiring permanent lateral support may be found in calculation sheets available upon written request.

BCDL = Bottom Chord standard design Dead Load in pounds per square foot.

BCLL = Bottom Chord standard design Live Load in pounds per square foot.

C = Coated lumber.

C-AT = AtTEK coated lumber.

C-FX = FX Lumber Guard coated lumber.

C -TE = TechWood 4400 coated lumber.

CL = Certified lumber.

Des Ld = total of TCLL, TCDL, BCLL and BCDL Design Load in pounds per square foot.

FRT = Fire Retardant Treated lumber.

FRT-BF = Boraflame Fire Retardant Treated lumber

FRT-DB = D-Blaze Fire Retardant Treated lumber.

FRT-DC = Dricon Fire Retardant Treated lumber.

FRT-FP = FirePRO Fire Retardant Treated lumber.

FRT-FL = FlamePRO Fire Retardant Treated lumber.

FRT-FT = FlameTech Fire Retardant Treated lumber.

FRT-ON = OnWood Fire Retardant Treated lumber.

FRT-PG = PYRO-GUARD Fire Retardant Treated lumber.

FRT-PR = ProWood Fire Retardant Treated lumber.

g = green lumber.

HORZ(LL) = maximum Horizontal panel point deflection due to Live Load, in inches.

HORZ(TL) = maximum Horizontal panel point long term deflection in inches, due to Total Load, including creep adjustment.

HPL = additional Horizontal Load added to a truss Piece in pounds per linear foot or pounds.

Ic = Incised lumber.

FJ = Finger Jointed lumber.

L/# = user specified divisor for limiting span/deflection ratio for evaluation of actual L/defl value.

L/defl = ratio of Length between bearings, in inches, divided by the vertical Deflection due to creep, in inches, at the referenced panel point. Reported as 999 if greater than or equal to 999.

Loc = Location, starting location of left end of bearing or panel point (joint) location of deflection.

Max BC CSI = Maximum bending and axial Combined Stress Index for Bottom Chords for all load cases.

Max TC CSI = Maximum bending and axial Combined Stress Index for Top Chords for all load cases.

Max Web CSI = Maximum bending and axial Combined Stress Index for Webs for all load cases.

NCBCLL = Non-Concurrent Bottom Chord design Live Load in pounds per square foot.

PL = additional Load applied at a user specified angle on a truss Piece in pounds per linear foot or pounds.

PLB = additional vertical load added to a Bottom chord Piece of a truss in pounds per linear foot or pounds

PLT = additional vertical load added to a Top chord Piece of a truss in pounds per linear foot or pounds.

PP = Panel Point.

R = maximum downward design Reaction, in pounds, from all specified gravity load cases, at the indicated location (Loc).

-R = maximum upward design Reaction, in pounds, from all specified gravity load cases, at the identified location (Loc).

Rh = maximum horizontal design Reaction in either direction, in pounds, from all specified gravity load cases, at the indicated location (Loc).

RL = maximum horizontal design Reaction in either direction, in pounds, from all specified non-gravity (wind or seismic) load cases, at the indicated location (Loc).

General Notes (continued)

Key to Terms (continued):

Rw = maximum downward design Reaction, in pounds, from all specified non-gravity (wind or seismic) load cases, at the identified location (Loc).

TCDL = Top Chord standard design Dead Load in pounds per square foot.

TCLL = Top Chord standard design Live Load in pounds per square foot.

U = maximum Upward design reaction, in pounds, from all specified non-gravity (wind or seismic) load cases, at the indicated location (Loc).

VERT(CL) = maximum Vertical panel point deflection in inches due to Live Load and Creep Component of Dead Load in inches.

VERT(CTL) = maximum Vertical panel point deflection ratios due to Live Load and Creep Component of Dead Load, and maximum long term Vertical panel point deflection in inches due to Total load, including creep adjustment.

VERT(LL) = maximum Vertical panel point deflection in inches due to Live Load.

VERT(TL) = maximum Vertical panel point long term deflection in inches due to Total load, including creep adjustment.

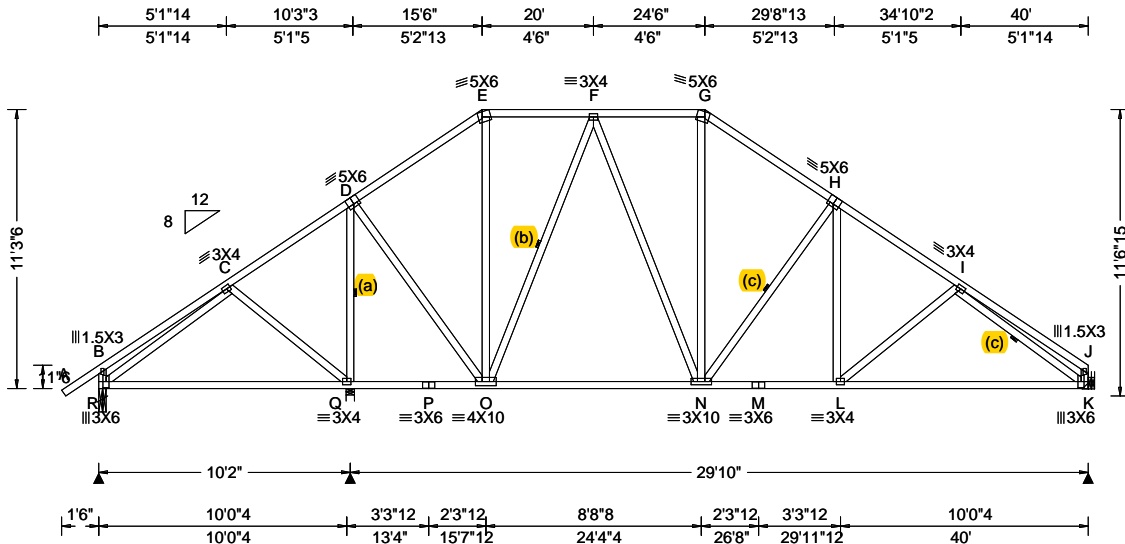
W = Width of non-hanger bearing, in inches.

Refer to ASCE-7 for Wind and Seismic abbreviations.

Uppercase Acronyms not explained above are as defined in TPI 1.

References:

1. AWC: American Wood Council; 222 Catoctin Circle SE, Suite 201; Leesburg, VA 20175; www.awc.org.
2. ICC: International Code Council; www.iccsafe.org.
3. Alpine, a division of ITW Building Components Group Inc.: 155 Harlem Ave, North Building, 4th Floor, Glenview, IL 60025; www.alpineitw.com.
4. TPI: Truss Plate Institute, 2670 Crain Highway, Suite 203, Waldorf, MD 20601; www.tpinst.org.
5. SBCA: Wood Truss Council of America, 6300 Enterprise Lane, Madison, WI 53719; www.sbcacomponents.com



Loading Criteria (psf) TCLL: 20.00 TCDL: 7.00 BCLL: 0.00 BCDL: 10.00 Des Ld: 37.00 NCBCLL: 10.00 Soffit: 2.00 Load Duration: 1.25 Spacing: 24.0 "	Wind Criteria Wind Std: ASCE 7-22 Speed: 140 mph Enclosure: Closed Risk Category: II EXP: C Kzt: NA Mean Height: 16.21 ft TCDL: 4.0 psf BCDL: 5.0 psf MWFRS Parallel Dist: h/2 to h C&C Dist a: 4.00 ft Loc. from endwall: not in 6.50 ft GCp: 0.18 Wind Duration: 1.60	Snow Criteria (Pg,Pf in PSF) Pg: NA Ct: NA CAT: NA Pf: NA Ce: NA Lu: NA Cs: NA Snow Duration: NA Building Code: FBC 8th Ed. 2023 Res. TPI Std: 2014 Rep Fac: Yes FT/RT:20(0)/10(0) Plate Type(s): WAVE	Defl/CSI Criteria PP Deflection in loc L/defl L/# VERT(LL): 0.059 L 999 360 VERT(CL): 0.101 L 999 240 HORZ(LL): 0.029 J - - HORZ(TL): 0.049 J - - Creep Factor: 2.0 Max TC CSI: 0.216 Max BC CSI: 0.684 Max Web CSI: 0.908 VIEW Ver: 24.02.00C.1213.15	▲ Maximum Reactions (lbs) Gravity Loc R+ / R- / Rh / Rw / U / RL R 384 - / - / /168 /89 /459 Q 1970 - / - / /1051 /474 - / K 1256 - / - / /707 /287 - / Wind reactions based on MWFRS R Brg Wid = 3.5 Min Req = 1.5 (Truss) Q Brg Wid = 4.0 Min Req = 2.0 (Truss) K Brg Wid = - Min Req = - Bearings R & Q are a rigid surface. Members not listed have forces less than 375# Maximum Top Chord Forces Per Ply (lbs) Chords Tens.Comp. Chords Tens. Comp. D - E 335 -732 G - H 462 -1195 E - F 462 -542 H - I 478 -1557 F - G 568 -927 Maximum Bot Chord Forces Per Ply (lbs) Chords Tens.Comp. Chords Tens. Comp. O - N 782 -9 M - L 1218 -166 N - M 1218 -166 L - K 1338 -331 Maximum Web Forces Per Ply (lbs) Webs Tens.Comp. Webs Tens. Comp. Q - D 472 -1573 F - N 402 -137 D - O 1034 -147 N - H 276 -504 O - F 219 -665 I - K 415 -1537
-------------------------------------------------------------------------------------------------------------------------------------------------------------------------------------	-----------------------------------------------------------------------------------------------------------------------------------------------------------------------------------------------------------------------------------------------------------------------------------------------------------------------	----------------------------------------------------------------------------------------------------------------------------------------------------------------------------------------------------------------------------------------------------	-------------------------------------------------------------------------------------------------------------------------------------------------------------------------------------------------------------------------------------------------------------------------------------------------	---------------------------------------------------------------------------------------------------------------------------------------------------------------------------------------------------------------------------------------------------------------------------------------------------------------------------------------------------------------------------------------------------------------------------------------------------------------------------------------------------------------------------------------------------------------------------------------------------------------------------------------------------------------------------------------------------------------------------------------------------------------------------------------------------------------------------------------------------------------------------------------------------------------------------------------------------------------

Lumber

Top chord: 2x4 SP #1;
Bot chord: 2x4 SP #1;
Webs: 2x4 SP #3;

Bracing

- (c) Continuous lateral restraint equally spaced on member. Or 1x4 #3SRB SPF-S or better "T" reinforcement. 80% length of web member. Attached with 8d Box or Gun (0.113"x2.5",min.)nails @ 6" oc.
- (a) Continuous lateral restraint equally spaced on member. Or 2x4 #3 or better "T" reinforcement. 80% length of web member. Attached with 10d Box or Gun (0.128"x3",min.)nails @ 6" oc.
- (b) Continuous lateral restraint equally spaced on member. Or 2x6 #3 or better "T" reinforcement. 80% length of web member. Attached with 10d Box or Gun (0.128"x3",min.)nails @ 6" oc.

Hangers / Ties

(J) Hanger Support Required, by others

Loading

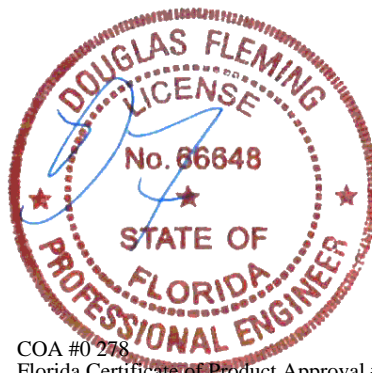
Truss passed check for 20 psf additional bottom chord live load in areas with 42"-high x 24"-wide clearance.

Purlins

In lieu of rigid ceiling use purlins to brace BC @ 24" oc.

Wind

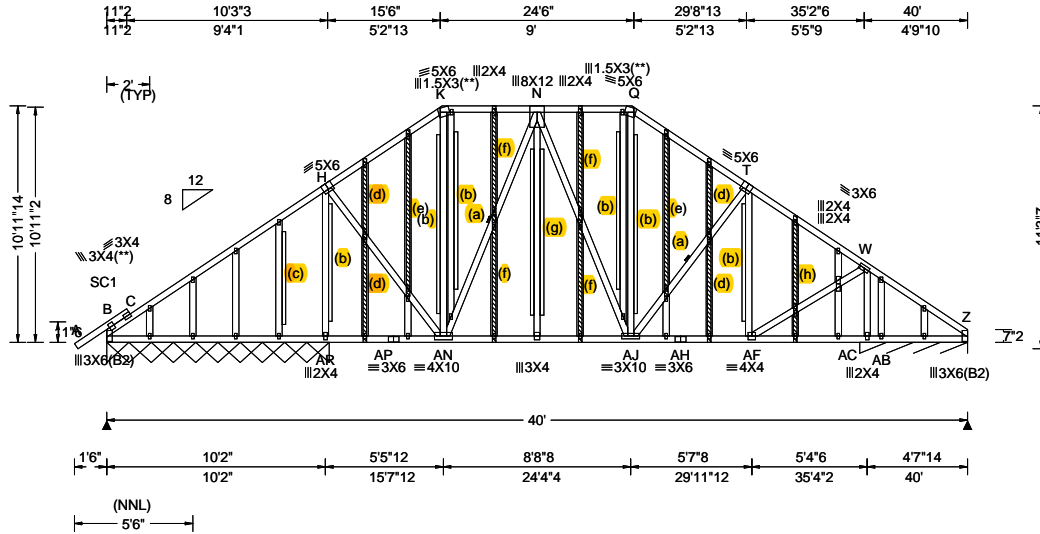
Wind loads based on MWFRS with additional C&C member design.
End verticals not exposed to wind pressure.
Wind loading based on both gable and hip roof types.



COA #0278
Florida Certificate of Product Approval #FL1999
10/01/2025

****WARNING** READ AND FOLLOW ALL NOTES ON THIS DRAWING!**
****IMPORTANT** FURNISH THIS DRAWING TO ALL CONTRACTORS INCLUDING THE INSTALLERS**
Trusses require extreme care in fabricating, handling, shipping, installing and bracing. Refer to and follow the latest edition of BCSI (Building Component Safety Information, by TPI and SBCA) for safety practices prior to performing these functions. Installers shall provide temporary bracing per BCSI. Unless noted otherwise, top chord shall have properly attached structural sheathing and bottom chord shall have a properly attached rigid ceiling. Locations shown for permanent lateral restraint of webs shall have continuous lateral restraint (CLR), installed with diagonal bracing installed on the CLR per BCSI sections B3, B7, or B10, as applicable. Apply plates to each face of truss and position as shown above and on the Joint Details, unless noted otherwise. Refer to drawings 160A-Z for standard plate positions. Refer to job's General Notes page for additional information.
Alpine, a division of ITW Building Components Group Inc. shall not be responsible for any deviation from this drawing, any failure to build the truss in conformance with ANSI/TPI 1, or for handling, shipping, installation and bracing of trusses. A seal on this drawing or cover page listing this drawing, indicates acceptance of professional engineering responsibility solely for the design shown. The suitability and use of this drawing for any structure is the responsibility of the Building Designer per ANSI/TPI 1 Sec.2.
For more information see these web sites: Alpine: alpineitw.com; TPI: tpinst.org; SBCA: sbcacomponents.com; ICC: iccsafe.org; AWC: awc.org





Loading Criteria (psf) TCCL: 20.00 TCDL: 7.00 BCLL: 0.00 BCDL: 10.00 Des Ld: 37.00 NCBCLL: 10.00 Soffit: 2.00 Load Duration: 1.25 Spacing: 24.0 "	Wind Criteria Wind Std: ASCE 7-22 Speed: 140 mph Enclosure: Closed Risk Category: II EXP: C Kzt: NA Mean Height: 16.21 ft TCDL: 4.0 psf BCDL: 5.0 psf MWFRS Parallel Dist: 0 to h/2 C&C Dist a: 4.00 ft Loc. from endwall: not in 6.50 ft GCp: 0.18 Wind Duration: 1.60	Snow Criteria (Pg,Pf in PSF) Pg: NA Ct: NA CAT: NA Pf: NA Ce: NA Lu: NA Cs: NA Snow Duration: NA Building Code: FBC 8th Ed. 2023 Res. TPI Std: 2014 Rep Fac: Varies by Ld Case FT/RT:20(0)/10(0) Plate Type(s): WAVE	Defl/CSI Criteria PP Deflection in loc L/defl L/# VERT(LL): 0.050 AI 999 360 VERT(CL): 0.093 AI 999 240 HORZ(LL): 0.021 J - - HORZ(TL): 0.039 J - - Creep Factor: 2.0 Max TC CSI: 0.193 Max BC CSI: 0.486 Max Web CSI: 0.977 VIEW Ver: 24.02.00C.1213.15	▲ Maximum Reactions (lbs), or *=PLF <table style="width:100%; border-collapse: collapse;"> <tr> <th colspan="2"></th> <th colspan="3">Gravity</th> <th colspan="3">Non-Gravity</th> </tr> <tr> <th>Loc</th> <th>R+</th> <th>/ R-</th> <th>/ Rh</th> <th>/ Rw</th> <th>/ U</th> <th>/ RL</th> <th></th> </tr> <tr> <td>B*</td> <td>241</td> <td>-</td> <td>-</td> <td>-</td> <td>177</td> <td>-</td> <td></td> </tr> <tr> <td>Z*</td> <td>403</td> <td>-</td> <td>-</td> <td>-</td> <td>127</td> <td>-</td> <td></td> </tr> <tr> <td>AB</td> <td colspan="7">-119</td> </tr> </table> <p>Wind reactions based on MWFRS B Brg Wid = 124 Min Req = - Z Brg Wid = 60.0 Min Req = - Bearings B & AC are a rigid surface. Members not listed have forces less than 375# Maximum Top Chord Forces Per Ply (lbs)</p> <table style="width:100%; border-collapse: collapse;"> <tr> <th>Chords</th> <th>Tens.Comp.</th> <th>Chords</th> <th>Tens. Comp.</th> </tr> <tr> <td>H - K</td> <td>271 -825</td> <td>Q - T</td> <td>379 -1166</td> </tr> <tr> <td>K - N</td> <td>212 -656</td> <td>T - W</td> <td>378 -1167</td> </tr> <tr> <td>N - Q</td> <td>300 -931</td> <td></td> <td></td> </tr> </table> <p>Maximum Bot Chord Forces Per Ply (lbs)</p> <table style="width:100%; border-collapse: collapse;"> <tr> <th>Chords</th> <th>Tens.Comp.</th> <th>Chords</th> <th>Tens. Comp.</th> </tr> <tr> <td>AN-AJ</td> <td>883 -285</td> <td>AH-AF</td> <td>939 -302</td> </tr> <tr> <td>AJ-AH</td> <td>939 -302</td> <td></td> <td></td> </tr> </table> <p>Maximum Web Forces Per Ply (lbs)</p> <table style="width:100%; border-collapse: collapse;"> <tr> <th>Webs</th> <th>Tens.Comp.</th> <th>Webs</th> <th>Tens. Comp.</th> </tr> <tr> <td>AR- H</td> <td>459 -1361</td> <td>AF- W</td> <td>1177 -377</td> </tr> <tr> <td>H -AN</td> <td>979 -314</td> <td>W -AC</td> <td>468 -1437</td> </tr> <tr> <td>AN- N</td> <td>208 -647</td> <td></td> <td></td> </tr> </table>			Gravity			Non-Gravity			Loc	R+	/ R-	/ Rh	/ Rw	/ U	/ RL		B*	241	-	-	-	177	-		Z*	403	-	-	-	127	-		AB	-119							Chords	Tens.Comp.	Chords	Tens. Comp.	H - K	271 -825	Q - T	379 -1166	K - N	212 -656	T - W	378 -1167	N - Q	300 -931			Chords	Tens.Comp.	Chords	Tens. Comp.	AN-AJ	883 -285	AH-AF	939 -302	AJ-AH	939 -302			Webs	Tens.Comp.	Webs	Tens. Comp.	AR- H	459 -1361	AF- W	1177 -377	H -AN	979 -314	W -AC	468 -1437	AN- N	208 -647		
		Gravity			Non-Gravity																																																																																			
Loc	R+	/ R-	/ Rh	/ Rw	/ U	/ RL																																																																																		
B*	241	-	-	-	177	-																																																																																		
Z*	403	-	-	-	127	-																																																																																		
AB	-119																																																																																							
Chords	Tens.Comp.	Chords	Tens. Comp.																																																																																					
H - K	271 -825	Q - T	379 -1166																																																																																					
K - N	212 -656	T - W	378 -1167																																																																																					
N - Q	300 -931																																																																																							
Chords	Tens.Comp.	Chords	Tens. Comp.																																																																																					
AN-AJ	883 -285	AH-AF	939 -302																																																																																					
AJ-AH	939 -302																																																																																							
Webs	Tens.Comp.	Webs	Tens. Comp.																																																																																					
AR- H	459 -1361	AF- W	1177 -377																																																																																					
H -AN	979 -314	W -AC	468 -1437																																																																																					
AN- N	208 -647																																																																																							

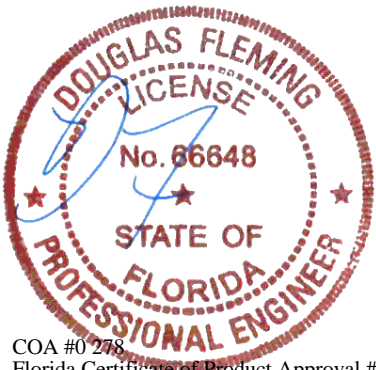
Lumber
 Top chord: 2x4 SP #1;
 Bot chord: 2x4 SP #1;
 Webs: 2x4 SP #3;
 Stack Chord: SC1 2x4 SP #1;

Bracing
 (a) Continuous lateral restraint equally spaced on member.

Special Loads
 -----(Lumber Dur.Fac.=1.25 / Plate Dur.Fac.=1.25)
 TC: From 57 plf at -1.50 to 57 plf at 10.15
 TC: From 28 plf at 10.15 to 28 plf at 35.27
 TC: From 57 plf at 35.27 to 57 plf at 40.00
 BC: From 5 plf at -1.50 to 5 plf at 0.00
 BC: From 20 plf at 0.00 to 20 plf at 10.06
 BC: From 10 plf at 10.06 to 10 plf at 35.27
 BC: From 20 plf at 35.27 to 20 plf at 40.00
 BC: 165 lb Conc. Load at 10.06,12.06,14.06,16.06
 18.06,20.06,22.06,23.27,25.27,27.27,29.27,31.27
 33.27,35.27

Plating Notes
 All plates are 1.5X3 except as noted.
 (**) 3 plate(s) require special positioning. Refer to scaled plate plot details for special positioning requirements.

Loading
 Gable end supports 8" max rake overhang. Top chord must not be cut or notched.



COA #0 278
 Florida Certificate of Product Approval #FL1999
 10/01/2025

****WARNING** READ AND FOLLOW ALL NOTES ON THIS DRAWING!**
****IMPORTANT** FURNISH THIS DRAWING TO ALL CONTRACTORS INCLUDING THE INSTALLERS**
 Trusses require extreme care in fabricating, handling, shipping, installing and bracing. Refer to and follow the latest edition of BCSI (Building Component Safety Information, by TPI and SBCA) for safety practices prior to performing these functions. Installers shall provide temporary bracing per BCSI. Unless noted otherwise, top chord shall have properly attached structural sheathing and bottom chord shall have a properly attached rigid ceiling. Locations shown for permanent lateral restraint of webs shall have continuous lateral restraint (CLR), installed with diagonal bracing installed on the CLR per BCSI sections B3, B7, or B10, as applicable. Apply plates to each face of truss and position as shown above and on the Joint Details, unless noted otherwise. Refer to drawings 160A-Z for standard plate positions. Refer to job's General Notes page for additional information.
 Alpine, a division of ITW Building Components Group Inc. shall not be responsible for any deviation from this drawing, any failure to build the truss in conformance with ANSI/TPI 1, or for handling, shipping, installation and bracing of trusses. A seal on this drawing or cover page listing this drawing, indicates acceptance of professional engineering responsibility solely for the design shown. The suitability and use of this drawing for any structure is the responsibility of the Building Designer per ANSI/TPI 1 Sec.2.
 For more information see these web sites: Alpine: alpineitw.com; TPI: tpinst.org; SBCA: sbcacomponents.com; ICC: iccsafe.org; AWC: awc.org



SEQN: 69507	GABL	Ply: 1	Job Number: B61790R	Cust: R 857 JRef: 1YdU8570005 T38
FROM: SDY		Qty: 1	Gardner Residence	DrwNo: 273.25.1541.36023
Page 2 of 2			Truss Label: A02	SSB / DF 09/30/2025

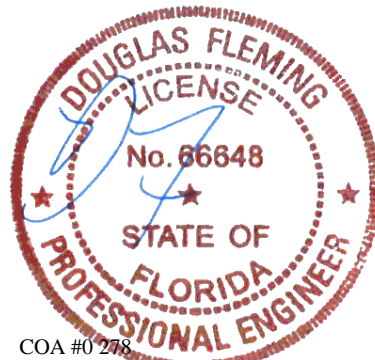
Gable Reinforcement

- (b) 2x6 "L" reinforcement. Any species and grade. 80% length of web member. Attach with 10d (0.131"x3",min.) nails @ 2" oc at each end for the first 18" and then 4" oc for the remainder.
- (c) 2x4 "L" reinforcement. Same species and grade as web. 80% length of web member. Attach with 10d (0.131"x3",min.) nails @ 2" oc at each end for the first 18" and then 4" oc for the remainder.
- (d) 2x4 SP/DF #2 or better "T" reinforcement. Full truss height along web member. Attach to the wide face with 10d (0.131"x3",min.) nails @ 4" oc in the web plus (2)10d (0.131"x3",min.) nails in each chord.
- (e) 2x6 "T" reinforcement. Any species and grade. Full truss height along web member. Attach to the wide face with 10d (0.131"x3",min.) nails @ 4" oc in the web plus (2)10d (0.131"x3",min.) nails in each chord.
- (f) 2x6 "T" reinforcement. Same species and grade as web. Full truss height along web member. Attach to the wide face with 10d (0.131"x3",min.) nails @ 4" oc in the web plus (2)10d (0.131"x3",min.) nails in each chord.
- (g) Two 2x6 "L" reinforcements. Same species and grade as web. 80% length of web member. Attach one to each narrow face of web with 10d (0.131"x3",min.) nails @ 2" oc at each end for the first 18" and then 6" oc for the remainder.
- (h) 2x3 "T" reinforcement. Any species and grade. Full truss height along web member. Attach to the wide face with 10d (0.131"x3",min.) nails @ 4" oc in the web plus (2)10d (0.131"x3",min.) nails in each chord.

Additional Notes

Exposed portion of gable face shall be reinforced with sheathing and the wind pressures shall be transferred into lateral diaphragms. Connections and designs for diaphragms is the responsibility of the Building Designer in accordance with ANSI/TPI 1.

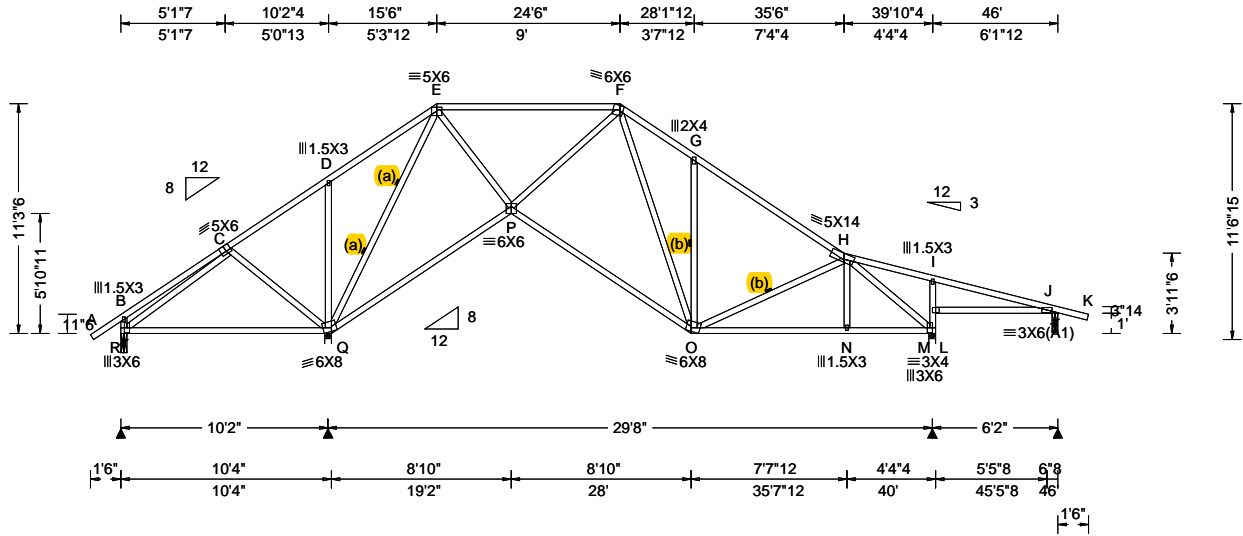
Stacked top chord must NOT be notched or cut in area (NNL). Dropped top chord braced at 24" oc intervals. Attach stacked top chord (SC) to dropped top chord in noticable area using 3x4 tie-plates 24" oc. Center plate on stacked/dropped chord interface, plate length perpendicular to chord length. Splice top chord in noticable area using 3x6.



COA #0 278
 Florida Certificate of Product Approval #FL1999
 10/01/2025

****WARNING** READ AND FOLLOW ALL NOTES ON THIS DRAWING!**
****IMPORTANT** FURNISH THIS DRAWING TO ALL CONTRACTORS INCLUDING THE INSTALLERS**
 Trusses require extreme care in fabricating, handling, shipping, installing and bracing. Refer to and follow the latest edition of BCSI (Building Component Safety Information, by TPI and SBCA) for safety practices prior to performing these functions. Installers shall provide temporary bracing per BCSI. Unless noted otherwise, top chord shall have properly attached structural sheathing and bottom chord shall have a properly attached rigid ceiling. Locations shown for permanent lateral restraint of webs shall have continuous lateral restraint (CLR), installed with diagonal bracing installed on the CLR per BCSI sections B3, B7, or B10, as applicable. Apply plates to each face of truss and position as shown above and on the Joint Details, unless noted otherwise. Refer to drawings 160A-Z for standard plate positions. Refer to job's General Notes page for additional information.
 Alpine, a division of ITW Building Components Group Inc. shall not be responsible for any deviation from this drawing, any failure to build the truss in conformance with ANSI/TPI 1, or for handling, shipping, installation and bracing of trusses. A seal on this drawing or cover page listing this drawing, indicates acceptance of professional engineering responsibility solely for the design shown. The suitability and use of this drawing for any structure is the responsibility of the Building Designer per ANSI/TPI 1 Sec.2.
 For more information see these web sites: Alpine: alpineitw.com; TPI: tpinst.org; SBCA: sbcacomponents.com; ICC: iccsafe.org; AWC: awc.org





Loading Criteria (psf) TCCL: 20.00 TCCL: 7.00 BCLL: 0.00 BCDL: 10.00 Des Ld: 37.00 NCBCLL: 10.00 Soffit: 2.00 Load Duration: 1.25 Spacing: 24.0 "	Wind Criteria Wind Std: ASCE 7-22 Speed: 140 mph Enclosure: Closed Risk Category: II EXP: C Kzt: NA Mean Height: 16.21 ft TCCL: 4.0 psf BCDL: 5.0 psf MWFRS Parallel Dist: h to 2h C&C Dist a: 4.60 ft Loc. from endwall: not in 13.00 ft GCp: 0.18 Wind Duration: 1.60	Snow Criteria (Pg,Pf in PSF) Pg: NA Ct: NA CAT: NA Pf: NA Ce: NA Lu: NA Cs: NA Snow Duration: NA Building Code: FBC 8th Ed. 2023 Res. TPI Std: 2014 Rep Fac: Yes FT/RT:20(0)/10(0) Plate Type(s): WAVE	Defl/CSI Criteria PP Deflection in loc L/defl L/# VERT(LL): 0.049 P 999 360 VERT(CL): 0.097 P 999 240 HORZ(LL): 0.051 M - - HORZ(TL): 0.099 M - - Creep Factor: 2.0 Max TC CSI: 0.916 Max BC CSI: 0.647 Max Web CSI: 0.941 VIEW Ver: 24.02.00C.1213.15	▲ Maximum Reactions (lbs) <table style="width:100%; border-collapse: collapse;"> <thead> <tr> <th rowspan="2">Loc</th> <th colspan="3">Gravity</th> <th colspan="3">Non-Gravity</th> </tr> <tr> <th>R+</th> <th>/R-</th> <th>/Rh</th> <th>/Rw</th> <th>/U</th> <th>/RL</th> </tr> </thead> <tbody> <tr> <td>R</td> <td>242</td> <td>-183</td> <td>-</td> <td>/36</td> <td>/137</td> <td>/419</td> </tr> <tr> <td>Q</td> <td>2152</td> <td>-</td> <td>-</td> <td>/1406</td> <td>/81</td> <td>-</td> </tr> <tr> <td>M</td> <td>1281</td> <td>-</td> <td>-</td> <td>/765</td> <td>/110</td> <td>-</td> </tr> <tr> <td>J</td> <td>299</td> <td>-</td> <td>-</td> <td>/100</td> <td>/121</td> <td>-</td> </tr> </tbody> </table> <p>Wind reactions based on MWFRS R Brg Wid = 3.5 Min Req = 1.5 (Truss) Q Brg Wid = 4.0 Min Req = 2.5 (Truss) M Brg Wid = 4.0 Min Req = 1.5 (Truss) J Brg Wid = 3.5 Min Req = 1.5 (Truss) Bearings R, Q, M, & J are a rigid surface. Members not listed have forces less than 375#</p>	Loc	Gravity			Non-Gravity			R+	/R-	/Rh	/Rw	/U	/RL	R	242	-183	-	/36	/137	/419	Q	2152	-	-	/1406	/81	-	M	1281	-	-	/765	/110	-	J	299	-	-	/100	/121	-
Loc	Gravity			Non-Gravity																																									
	R+	/R-	/Rh	/Rw	/U	/RL																																							
R	242	-183	-	/36	/137	/419																																							
Q	2152	-	-	/1406	/81	-																																							
M	1281	-	-	/765	/110	-																																							
J	299	-	-	/100	/121	-																																							

Lumber

Top chord: 2x4 SP #1;
 Bot chord: 2x4 SP #1;
 Webs: 2x4 SP #3;

Bracing

(b) Continuous lateral restraint equally spaced on member. Or 1x4 #3SRB SPF-S or better "T" reinforcement. 80% length of web member. Attached with 8d Box or Gun (0.113"x2.5",min.)nails @ 6" oc.
 (a) Continuous lateral restraint equally spaced on member. Or 2x8 #3 or better "T" reinforcement. 80% length of web member. Attached with 10d Box or Gun (0.128"x3",min.)nails @ 6" oc.

Purlins

In lieu of rigid ceiling use purlins to brace BC @ 24" oc.

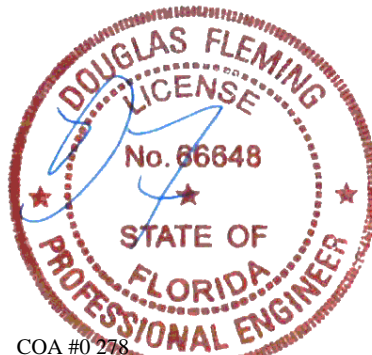
Wind

Wind loads based on MWFRS with additional C&C member design.
 Left end vertical not exposed to wind pressure.
 Wind loading based on both gable and hip roof types.

Additional Notes

Negative reaction(s) of -183# MAX. from a non-wind load case requires uplift connection. See Maximum Reactions.

WARNING: Furnish a copy of this DWG to the installation contractor. Special care must be taken during handling, shipping and installation of trusses. See "WARNING" note below.



COA #0 278
 Florida Certificate of Product Approval #FL1999
 10/01/2025

Maximum Top Chord Forces Per Ply (lbs)

Chords	Tens.Comp.	Chords	Tens. Comp.
C - D	747 -106	F - G	625 -953
D - E	743 0	G - H	448 -1041
E - F	222 -774		

Maximum Bot Chord Forces Per Ply (lbs)

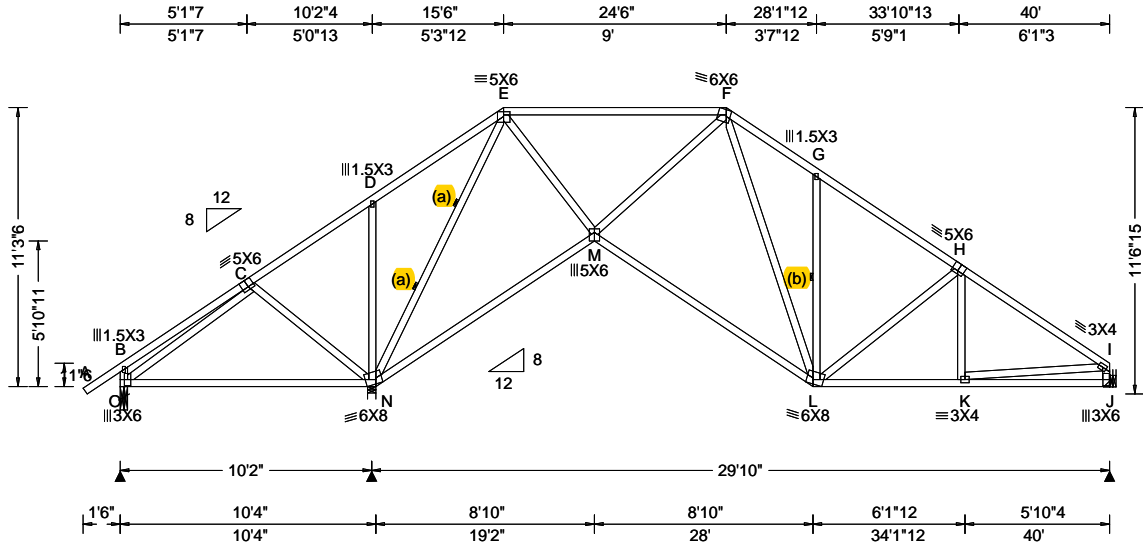
Chords	Tens.Comp.	Chords	Tens. Comp.
R - Q	185 -428	O - N	959 -309
Q - P	465 -215	N - M	964 -306
P - O	959 -6		

Maximum Web Forces Per Ply (lbs)

Webs	Tens.Comp.	Webs	Tens. Comp.
R - C	614 -118	P - F	387 -201
Q - E	47 -1674	H - M	452 -1375
E - P	997 0		

****WARNING** READ AND FOLLOW ALL NOTES ON THIS DRAWING!**
****IMPORTANT** FURNISH THIS DRAWING TO ALL CONTRACTORS INCLUDING THE INSTALLERS**
 Trusses require extreme care in fabricating, handling, shipping, installing and bracing. Refer to and follow the latest edition of BCSI (Building Component Safety Information, by TPI and SBCA) for safety practices prior to performing these functions. Installers shall provide temporary bracing per BCSI. Unless noted otherwise, top chord shall have properly attached structural sheathing and bottom chord shall have a properly attached rigid ceiling. Locations shown for permanent lateral restraint of webs shall have continuous lateral restraint (CLR), installed with diagonal bracing installed on the CLR per BCSI sections B3, B7, or B10, as applicable. Apply plates to each face of truss and position as shown above and on the Joint Details, unless noted otherwise. Refer to drawings 160A-Z for standard plate positions. Refer to job's General Notes page for additional information.
 Alpine, a division of ITW Building Components Group Inc. shall not be responsible for any deviation from this drawing, any failure to build the truss in conformance with ANSI/TPI 1, or for handling, shipping, installation and bracing of trusses. A seal on this drawing or cover page listing this drawing, indicates acceptance of professional engineering responsibility solely for the design shown. The suitability and use of this drawing for any structure is the responsibility of the Building Designer per ANSI/TPI 1 Sec.2.
 For more information see these web sites: Alpine: alpineitw.com; TPI: tpinst.org; SBCA: sbcacomponents.com; ICC: iccsafe.org; AWC: awc.org





Loading Criteria (psf) TCLL: 20.00 TC DL: 7.00 BCLL: 0.00 BCDL: 10.00 Des Ld: 37.00 NCBCLL: 10.00 Soffit: 2.00 Load Duration: 1.25 Spacing: 24.0 "	Wind Criteria Wind Std: ASCE 7-22 Speed: 140 mph Enclosure: Closed Risk Category: II EXP: C Kzt: NA Mean Height: 16.21 ft TC DL: 4.0 psf BCDL: 5.0 psf MWFRS Parallel Dist: h to 2h C&C Dist a: 4.00 ft Loc. from endwall: not in 13.00 ft GCp: 0.18 Wind Duration: 1.60	Snow Criteria (Pg,Pf in PSF) Pg: NA Ct: NA CAT: NA Pf: NA Ce: NA Lu: NA Cs: NA Snow Duration: NA Building Code: FBC 8th Ed. 2023 Res. TPI Std: 2014 Rep Fac: Yes FT/RT:20(0)/10(0) Plate Type(s): WAVE	Defl/CSI Criteria PP Deflection in loc L/defl L/# VERT(LL): 0.051 F 999 360 VERT(CL): 0.101 F 999 240 HORZ(LL): 0.049 I - - HORZ(TL): 0.097 I - - Creep Factor: 2.0 Max TC CSI: 0.904 Max BC CSI: 0.647 Max Web CSI: 0.965 VIEW Ver: 24.02.00C.1213.15	▲ Maximum Reactions (lbs) <table style="width:100%; border-collapse: collapse;"> <thead> <tr> <th rowspan="2">Loc</th> <th colspan="3">Gravity</th> <th colspan="3">Non-Gravity</th> </tr> <tr> <th>R+</th> <th>/R-</th> <th>/Rh</th> <th>/Rw</th> <th>/U</th> <th>/RL</th> </tr> </thead> <tbody> <tr> <td>O</td> <td>233</td> <td>-203</td> <td>-</td> <td>/56</td> <td>/148</td> <td>/460</td> </tr> <tr> <td>N</td> <td>2195</td> <td>-</td> <td>-</td> <td>/1414</td> <td>/90</td> <td>-</td> </tr> <tr> <td>J</td> <td>1012</td> <td>-</td> <td>-</td> <td>/680</td> <td>/101</td> <td>-</td> </tr> </tbody> </table> <p>Wind reactions based on MWFRS O Brg Wid = 3.5 Min Req = 1.5 (Truss) N Brg Wid = 4.0 Min Req = 2.6 (Truss) J Brg Wid = - Min Req = - Bearings O & N are a rigid surface. Members not listed have forces less than 375# Maximum Top Chord Forces Per Ply (lbs) <table style="width:100%; border-collapse: collapse;"> <thead> <tr> <th>Chords</th> <th>Tens.</th> <th>Comp.</th> <th>Chords</th> <th>Tens.</th> <th>Comp.</th> </tr> </thead> <tbody> <tr> <td>C - D</td> <td>776</td> <td>-140</td> <td>F - G</td> <td>550</td> <td>-960</td> </tr> <tr> <td>D - E</td> <td>771</td> <td>-10</td> <td>G - H</td> <td>434</td> <td>-1055</td> </tr> <tr> <td>E - F</td> <td>221</td> <td>-787</td> <td>H - I</td> <td>434</td> <td>-1359</td> </tr> </tbody> </table> </p>	Loc	Gravity			Non-Gravity			R+	/R-	/Rh	/Rw	/U	/RL	O	233	-203	-	/56	/148	/460	N	2195	-	-	/1414	/90	-	J	1012	-	-	/680	/101	-	Chords	Tens.	Comp.	Chords	Tens.	Comp.	C - D	776	-140	F - G	550	-960	D - E	771	-10	G - H	434	-1055	E - F	221	-787	H - I	434	-1359
Loc	Gravity			Non-Gravity																																																										
	R+	/R-	/Rh	/Rw	/U	/RL																																																								
O	233	-203	-	/56	/148	/460																																																								
N	2195	-	-	/1414	/90	-																																																								
J	1012	-	-	/680	/101	-																																																								
Chords	Tens.	Comp.	Chords	Tens.	Comp.																																																									
C - D	776	-140	F - G	550	-960																																																									
D - E	771	-10	G - H	434	-1055																																																									
E - F	221	-787	H - I	434	-1359																																																									

Lumber

Top chord: 2x4 SP #1;
 Bot chord: 2x4 SP #1;
 Webs: 2x4 SP #3;

Bracing

(b) Continuous lateral restraint equally spaced on member. Or 1x4 #3SRB SPF-S or better "T" reinforcement. 80% length of web member. Attached with 8d Box or Gun (0.113"x2.5",min.)nails @ 6" oc.
 (a) Continuous lateral restraint equally spaced on member. Or 2x8 #3 or better "T" reinforcement. 80% length of web member. Attached with 10d Box or Gun (0.128"x3",min.)nails @ 6" oc.

Hangers / Ties

(J) Hanger Support Required, by others

Purlins

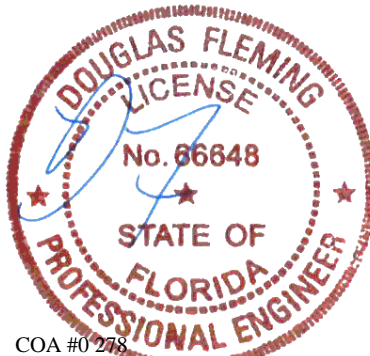
In lieu of rigid ceiling use purlins to brace BC @ 24" oc.

Wind

Wind loads based on MWFRS with additional C&C member design.
 End verticals not exposed to wind pressure.
 Wind loading based on both gable and hip roof types.

Additional Notes

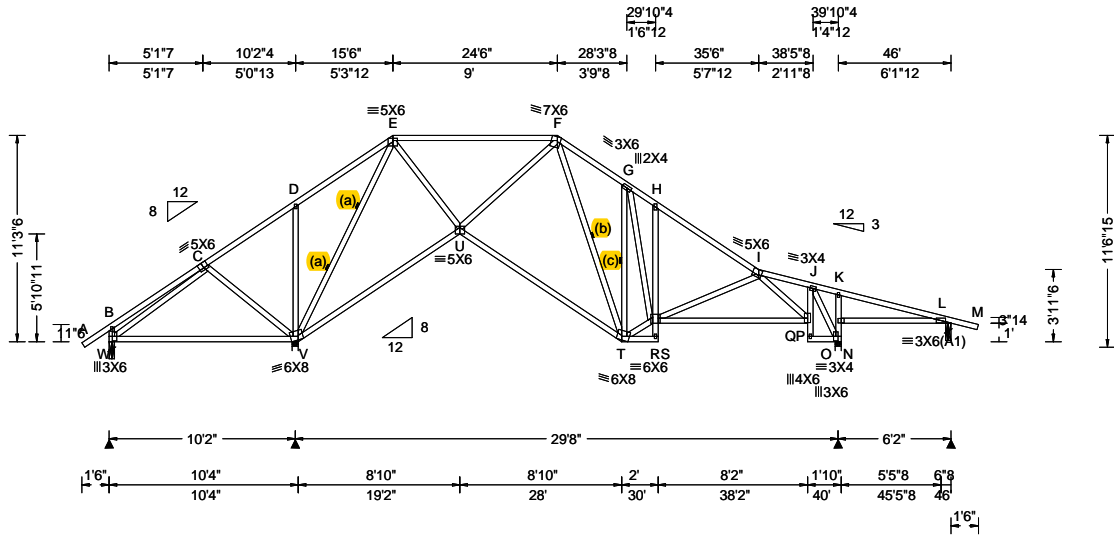
Negative reaction(s) of -203# MAX. from a non-wind load case requires uplift connection. See Maximum Reactions.



COA #0278
 Florida Certificate of Product Approval #FL1999
 10/01/2025

****WARNING** READ AND FOLLOW ALL NOTES ON THIS DRAWING!**
****IMPORTANT** FURNISH THIS DRAWING TO ALL CONTRACTORS INCLUDING THE INSTALLERS**
 Trusses require extreme care in fabricating, handling, shipping, installing and bracing. Refer to and follow the latest edition of BCSI (Building Component Safety Information, by TPI and SBCA) for safety practices prior to performing these functions. Installers shall provide temporary bracing per BCSI. Unless noted otherwise, top chord shall have properly attached structural sheathing and bottom chord shall have a properly attached rigid ceiling. Locations shown for permanent lateral restraint of webs shall have continuous lateral restraint (CLR), installed with diagonal bracing installed on the CLR per BCSI sections B3, B7, or B10, as applicable. Apply plates to each face of truss and position as shown above and on the Joint Details, unless noted otherwise. Refer to drawings 160A-Z for standard plate positions. Refer to job's General Notes page for additional information.
 Alpine, a division of ITW Building Components Group Inc. shall not be responsible for any deviation from this drawing, any failure to build the truss in conformance with ANSI/TPI 1, or for handling, shipping, installation and bracing of trusses. A seal on this drawing or cover page listing this drawing, indicates acceptance of professional engineering responsibility solely for the design shown. The suitability and use of this drawing for any structure is the responsibility of the Building Designer per ANSI/TPI 1 Sec.2.
 For more information see these web sites: Alpine: alpineitw.com; TPI: tpinst.org; SBCA: sbcacomponents.com; ICC: iccsafe.org; AWC: awc.org





Loading Criteria (psf) TCLL: 20.00 TC DL: 7.00 BCLL: 0.00 BCDL: 10.00 Des Ld: 37.00 NCBCLL: 10.00 Soffit: 2.00 Load Duration: 1.25 Spacing: 24.0 "	Wind Criteria Wind Std: ASCE 7-22 Speed: 140 mph Enclosure: Closed Risk Category: II EXP: C Kzt: NA Mean Height: 16.21 ft TC DL: 4.0 psf BCDL: 5.0 psf MWFRS Parallel Dist: h to 2h C&C Dist a: 4.60 ft Loc. from endwall: not in 13.00 ft GCp: 0.18 Wind Duration: 1.60	Snow Criteria (Pg,Pf in PSF) Pg: NA Ct: NA CAT: NA Pf: NA Ce: NA Lu: NA Cs: NA Snow Duration: NA Building Code: FBC 8th Ed. 2023 Res. TPI Std: 2014 Rep Fac: Yes FT/RT:20(0)/10(0) Plate Type(s): WAVE	Defl/CSI Criteria PP Deflection in loc L/defl L/# VERT(LL): 0.068 H 999 360 VERT(CL): 0.132 H 999 240 HORZ(LL): 0.079 O - - HORZ(TL): 0.157 O - - Creep Factor: 2.0 Max TC CSI: 0.866 Max BC CSI: 0.642 Max Web CSI: 0.953 VIEW Ver: 24.02.00C.1213.15	▲ Maximum Reactions (lbs) <table border="1" style="width:100%; border-collapse: collapse;"> <thead> <tr> <th rowspan="2">Loc</th> <th colspan="3">Gravity</th> <th colspan="3">Non-Gravity</th> </tr> <tr> <th>R+</th> <th>/R-</th> <th>/Rh</th> <th>/Rw</th> <th>/U</th> <th>/RL</th> </tr> </thead> <tbody> <tr> <td>W</td> <td>205</td> <td>-267</td> <td>-</td> <td>/5</td> <td>/152</td> <td>/419</td> </tr> <tr> <td>V</td> <td>2253</td> <td>-</td> <td>-</td> <td>/1436</td> <td>/94</td> <td>-</td> </tr> <tr> <td>O</td> <td>1350</td> <td>-</td> <td>-</td> <td>/813</td> <td>/109</td> <td>-</td> </tr> <tr> <td>L</td> <td>262</td> <td>-</td> <td>-</td> <td>/58</td> <td>/129</td> <td>-</td> </tr> </tbody> </table> <p>Wind reactions based on MWFRS W Brg Wid = 3.5 Min Req = 1.5 (Truss) V Brg Wid = 4.0 Min Req = 2.7 (Truss) O Brg Wid = 4.0 Min Req = 1.6 (Truss) L Brg Wid = 3.5 Min Req = 1.5 (Truss) Bearings W, V, O, & L are a rigid surface. Members not listed have forces less than 375#</p>	Loc	Gravity			Non-Gravity			R+	/R-	/Rh	/Rw	/U	/RL	W	205	-267	-	/5	/152	/419	V	2253	-	-	/1436	/94	-	O	1350	-	-	/813	/109	-	L	262	-	-	/58	/129	-
Loc	Gravity			Non-Gravity																																									
	R+	/R-	/Rh	/Rw	/U	/RL																																							
W	205	-267	-	/5	/152	/419																																							
V	2253	-	-	/1436	/94	-																																							
O	1350	-	-	/813	/109	-																																							
L	262	-	-	/58	/129	-																																							

Lumber
 Top chord: 2x4 SP #1;
 Bot chord: 2x4 SP #1;
 Webs: 2x4 SP #3;

Bracing
 (c) Continuous lateral restraint equally spaced on member. Or 1x4 #3SRB SPF-S or better "T" reinforcement. 80% length of web member. Attached with 8d Box or Gun (0.113"x2.5",min.)nails @ 6" oc.
 (b) Continuous lateral restraint equally spaced on member. Or 2x6 #3 or better "T" reinforcement. 80% length of web member. Attached with 10d Box or Gun (0.128"x3",min.)nails @ 6" oc.
 (a) Continuous lateral restraint equally spaced on member. Or 2x8 #3 or better "T" reinforcement. 80% length of web member. Attached with 10d Box or Gun (0.128"x3",min.)nails @ 6" oc.

Plating Notes
 All plates are 1.5X3 except as noted.

Wind
 Wind loads based on MWFRS with additional C&C member design.
 Left end vertical not exposed to wind pressure.
 Wind loading based on both gable and hip roof types.

Additional Notes
 Negative reaction(s) of -267# MAX. from a non-wind load case requires uplift connection. See Maximum Reactions.
 WARNING: Furnish a copy of this DWG to the installation contractor. Special care must be taken during handling, shipping and installation of trusses. See "WARNING" note below.

Maximum Top Chord Forces Per Ply (lbs)

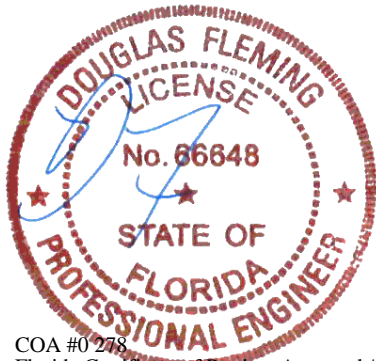
Chords	Tens.Comp.	Chords	Tens. Comp.
C - D	891 -74	G - H	646 -1129
D - E	887 0	H - I	467 -1143
E - F	165 -626	K - L	407 -71
F - G	533 -804		

Maximum Bot Chord Forces Per Ply (lbs)

Chords	Tens.Comp.	Chords	Tens. Comp.
W - V	196 -535	R - P	1068 -387
V - U	450 -288	N - L	112 -378
U - T	867 0		

Maximum Web Forces Per Ply (lbs)

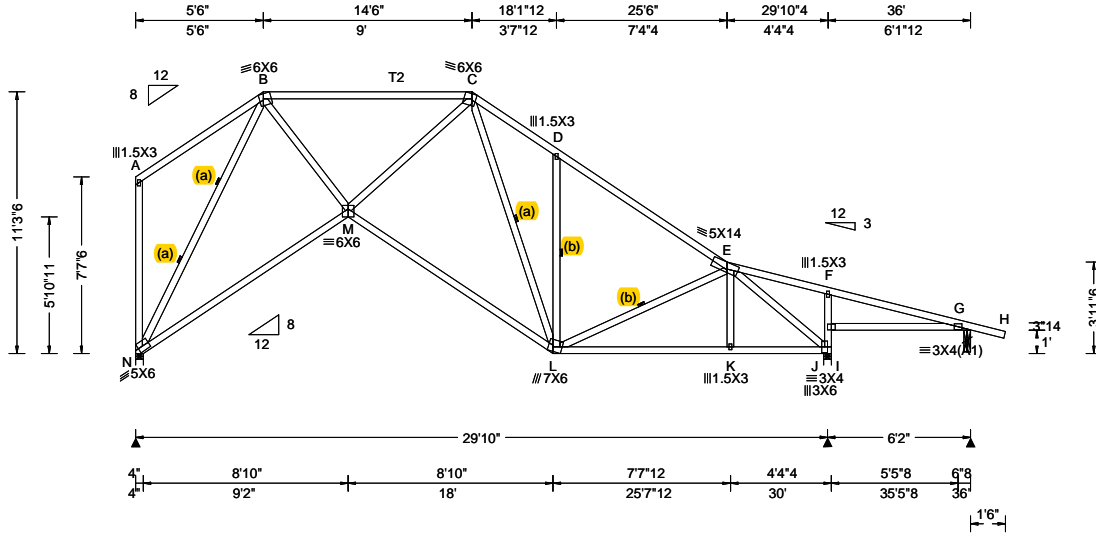
Webs	Tens.Comp.	Webs	Tens. Comp.
W - C	745 -145	G - R	870 -419
V - E	58 -1695	I - P	444 -1115
E - U	928 0	P - J	844 -244
U - F	381 -244	J - O	331 -976
T - G	337 -664	O - N	225 -518
T - R	818 -32	N - K	234 -424



COA #0 278
 Florida Certificate of Product Approval #FL1999
 10/01/2025

****WARNING** READ AND FOLLOW ALL NOTES ON THIS DRAWING!**
****IMPORTANT** FURNISH THIS DRAWING TO ALL CONTRACTORS INCLUDING THE INSTALLERS**
 Trusses require extreme care in fabricating, handling, shipping, installing and bracing. Refer to and follow the latest edition of BCSI (Building Component Safety Information, by TPI and SBCA) for safety practices prior to performing these functions. Installers shall provide temporary bracing per BCSI. Unless noted otherwise, top chord shall have properly attached structural sheathing and bottom chord shall have a properly attached rigid ceiling. Locations shown for permanent lateral restraint of webs shall have continuous lateral restraint (CLR), installed with diagonal bracing installed on the CLR per BCSI sections B3, B7, or B10, as applicable. Apply plates to each face of truss and position as shown above and on the Joint Details, unless noted otherwise. Refer to drawings 160A-Z for standard plate positions. Refer to job's General Notes page for additional information.
 Alpine, a division of ITW Building Components Group Inc. shall not be responsible for any deviation from this drawing, any failure to build the truss in conformance with ANSI/TPI 1, or for handling, shipping, installation and bracing of trusses. A seal on this drawing or cover page listing this drawing, indicates acceptance of professional engineering responsibility solely for the design shown. The suitability and use of this drawing for any structure is the responsibility of the Building Designer per ANSI/TPI 1 Sec.2.
 For more information see these web sites: Alpine: alpineitw.com; TPI: tpinst.org; SBCA: sbccomponents.com; ICC: iccsafe.org; AWC: awc.org





Loading Criteria (psf) TCLL: 20.00 TCDL: 7.00 BCLL: 0.00 BCDL: 10.00 Des Ld: 37.00 NCBCLL: 10.00 Soffit: 2.00 Load Duration: 1.25 Spacing: 24.0 "	Wind Criteria Wind Std: ASCE 7-22 Speed: 140 mph Enclosure: Closed Risk Category: II EXP: C Kzt: NA Mean Height: 15.21 ft TCDL: 4.0 psf BCDL: 5.0 psf MWFRS Parallel Dist: h to 2h C&C Dist a: 3.60 ft Loc. from endwall: not in 9.00 ft GCp: 0.18 Wind Duration: 1.60	Snow Criteria (Pg,Pf in PSF) Pg: NA Ct: NA CAT: NA Pf: NA Ce: NA Lu: NA Cs: NA Snow Duration: NA Building Code: FBC 8th Ed. 2023 Res. TPI Std: 2014 Rep Fac: Yes FT/RT:20(0)/10(0) Plate Type(s): WAVE	Defl/CSI Criteria PP Deflection in loc L/defl L/# VERT(LL): 0.066 M 999 360 VERT(CL): 0.126 M 999 240 HORZ(LL): 0.079 J - - - HORZ(TL): 0.152 J - - - Creep Factor: 2.0 Max TC CSI: 0.565 Max BC CSI: 0.736 Max Web CSI: 0.964 VIEW Ver: 24.02.00C.1213.15	▲ Maximum Reactions (lbs) Gravity Loc R+ / R- / Rh / Rw / U / RL N 1169 - / - / - / 624 / 172 / 307 J 1435 - / - / - / 805 / 139 - G 296 - / - / - / 98 / 128 - Wind reactions based on MWFRS N Brg Wid = 4.0 Min Req = 1.5 (Truss) J Brg Wid = 4.0 Min Req = 1.7 (Truss) G Brg Wid = 3.5 Min Req = 1.5 (Truss) Bearings N, J, & G are a rigid surface. Members not listed have forces less than 375# Maximum Top Chord Forces Per Ply (lbs) Chords Tens.Comp. Chords Tens. Comp. B - C 429 - 1390 D - E 561 - 1283 C - D 699 - 1202 Maximum Bot Chord Forces Per Ply (lbs) Chords Tens.Comp. Chords Tens. Comp. N - M 873 - 54 L - K 1133 - 398 M - L 1275 - 243 K - J 1137 - 395 Maximum Web Forces Per Ply (lbs) Webs Tens.Comp. Webs Tens. Comp. N - B 445 - 1523 C - L 240 - 380 B - M 1233 - 135 E - J 577 - 1622 M - C 644 - 52
-------------------------------------------------------------------------------------------------------------------------------------------------------------------------------------	----------------------------------------------------------------------------------------------------------------------------------------------------------------------------------------------------------------------------------------------------------------------------------------------------------------------	-----------------------------------------------------------------------------------------------------------------------------------------------------------------------------------------------------------------------------------------------------------	-----------------------------------------------------------------------------------------------------------------------------------------------------------------------------------------------------------------------------------------------------------------------------------------------------	----------------------------------------------------------------------------------------------------------------------------------------------------------------------------------------------------------------------------------------------------------------------------------------------------------------------------------------------------------------------------------------------------------------------------------------------------------------------------------------------------------------------------------------------------------------------------------------------------------------------------------------------------------------------------------------------------------------------------------------------------------------------------------------------------------------------------------------------------------------------------------------------------------------------------------------------------

Lumber

Top chord: 2x4 SP #1; T2 2x4 SP SS Dense;
Bot chord: 2x4 SP #1;
Webs: 2x4 SP #3;

Bracing

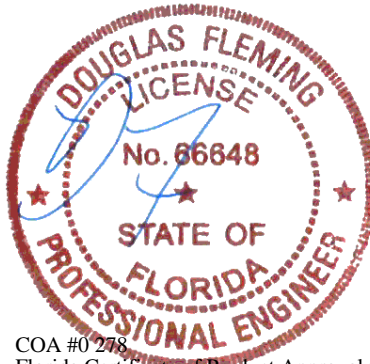
(b) Continuous lateral restraint equally spaced on member. Or 1x4 #3SRB SPF-S or better "T" reinforcement. 80% length of web member. Attached with 8d Box or Gun (0.113"x2.5",min.)nails @ 6" oc.
(a) Continuous lateral restraint equally spaced on member. Or 2x6 #3 or better "T" reinforcement. 80% length of web member. Attached with 10d Box or Gun (0.128"x3",min.)nails @ 6" oc.

Wind

Wind loads based on MWFRS with additional C&C member design.
Left end vertical not exposed to wind pressure.
Wind loading based on both gable and hip roof types.

Additional Notes

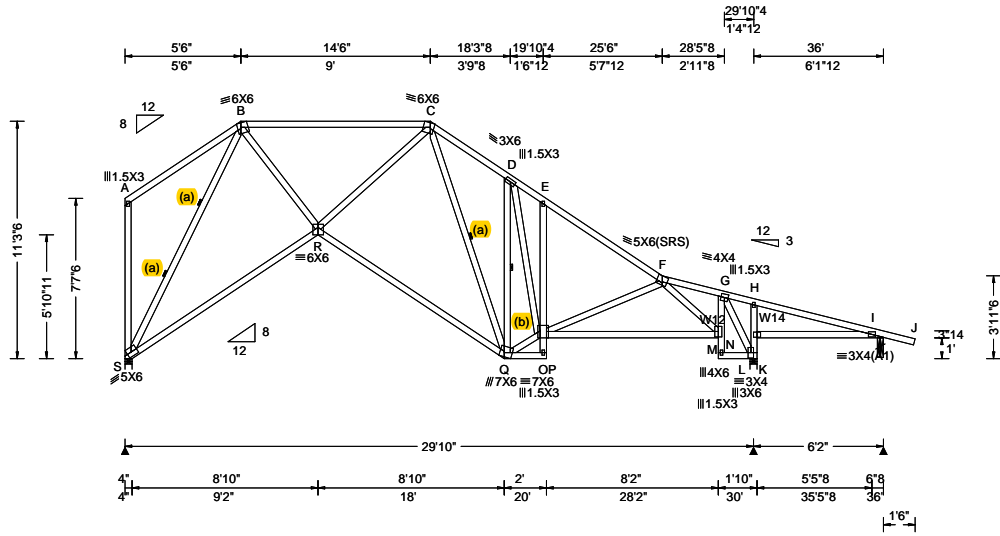
Shim all supports to solid bearing.



COA #0 278
Florida Certificate of Product Approval #FL1999
10/01/2025

****WARNING** READ AND FOLLOW ALL NOTES ON THIS DRAWING!**
****IMPORTANT** FURNISH THIS DRAWING TO ALL CONTRACTORS INCLUDING THE INSTALLERS**
Trusses require extreme care in fabricating, handling, shipping, installing and bracing. Refer to and follow the latest edition of BCSI (Building Component Safety Information, by TPI and SBCA) for safety practices prior to performing these functions. Installers shall provide temporary bracing per BCSI. Unless noted otherwise, top chord shall have properly attached structural sheathing and bottom chord shall have a properly attached rigid ceiling. Locations shown for permanent lateral restraint of webs shall have continuous lateral restraint (CLR), installed with diagonal bracing installed on the CLR per BCSI sections B3, B7, or B10, as applicable. Apply plates to each face of truss and position as shown above and on the Joint Details, unless noted otherwise. Refer to drawings 160A-Z for standard plate positions. Refer to job's General Notes page for additional information.
Alpine, a division of ITW Building Components Group Inc. shall not be responsible for any deviation from this drawing, any failure to build the truss in conformance with ANSI/TPI 1, or for handling, shipping, installation and bracing of trusses. A seal on this drawing or cover page listing this drawing, indicates acceptance of professional engineering responsibility solely for the design shown. The suitability and use of this drawing for any structure is the responsibility of the Building Designer per ANSI/TPI 1 Sec.2.
For more information see these web sites: Alpine: alpineitw.com; TPI: tpinst.org; SBCA: sbccomponents.com; ICC: iccsafe.org; AWC: awc.org





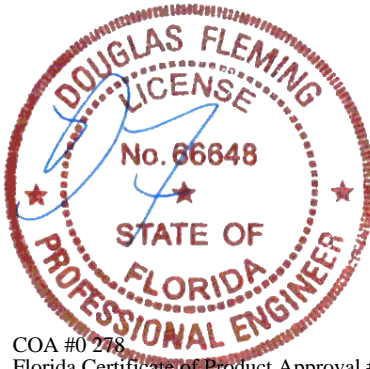
Loading Criteria (psf) TCLL: 20.00 TCDL: 7.00 BCLL: 0.00 BCDL: 10.00 Des Ld: 37.00 NCBCLL: 10.00 Soffit: 2.00 Load Duration: 1.25 Spacing: 24.0 "	Wind Criteria Wind Std: ASCE 7-22 Speed: 140 mph Enclosure: Closed Risk Category: II EXP: C Kzt: NA Mean Height: 15.21 ft TCDL: 4.0 psf BCDL: 5.0 psf MWFRS Parallel Dist: > 2h C&C Dist a: 3.60 ft Loc. from endwall: not in 9.00 ft GCp: 0.18 Wind Duration: 1.60	Snow Criteria (Pg,Pf in PSF) Pg: NA Ct: NA CAT: NA Pf: NA Ce: NA Lu: NA Cs: NA Snow Duration: NA Building Code: FBC 8th Ed. 2023 Res. TPI Std: 2014 Rep Fac: Yes FT/RT:20(0)/10(0) Plate Type(s): WAVE	Defl/CSI Criteria PP Deflection in loc L/defl L/# VERT(LL): 0.084 E 999 360 VERT(CL): 0.163 E 999 240 HORZ(LL): 0.116 L - - HORZ(TL): 0.228 L - - Creep Factor: 2.0 Max TC CSI: 0.968 Max BC CSI: 0.743 Max Web CSI: 0.941 VIEW Ver: 24.02.00C.1213.15	▲ Maximum Reactions (lbs) Gravity Loc R+ / R- / Rh / Rw / U / RL S 1147 /- /- /611 /171 /307 L 1560 /- /- /882 /148 /- I 249 /-15 /- /44 /134 /- Wind reactions based on MWFRS S Brg Wid = 4.0 Min Req = 1.5 (Truss) L Brg Wid = 4.0 Min Req = 1.8 (Truss) I Brg Wid = 3.5 Min Req = 1.5 (Truss) Bearings S, L, & I are a rigid surface. Members not listed have forces less than 375# Maximum Top Chord Forces Per Ply (lbs) Chords Tens.Comp. Chords Tens. Comp.
-------------------------------------------------------------------------------------------------------------------------------------------------------------------------------------	-------------------------------------------------------------------------------------------------------------------------------------------------------------------------------------------------------------------------------------------------------------------------------------------------------------------	----------------------------------------------------------------------------------------------------------------------------------------------------------------------------------------------------------------------------------------------------	-------------------------------------------------------------------------------------------------------------------------------------------------------------------------------------------------------------------------------------------------------------------------------------------------	-------------------------------------------------------------------------------------------------------------------------------------------------------------------------------------------------------------------------------------------------------------------------------------------------------------------------------------------------------------------------------------------------------------------------------------------------------------------------------------------------------------------------

Lumber
Top chord: 2x4 SP #1;
Bot chord: 2x4 SP #1;
Webs: 2x4 SP #3; W12,W14 2x4 SP #1;

Bracing
(b) Continuous lateral restraint equally spaced on member. Or 1x4 #3SRB SPF-S or better "T" reinforcement. 80% length of web member. Attached with 8d Box or Gun (0.113"x2.5",min.)nails @ 6" oc.
(a) Continuous lateral restraint equally spaced on member. Or 2x6 #3 or better "T" reinforcement. 80% length of web member. Attached with 10d Box or Gun (0.128"x3",min.)nails @ 6" oc.

Wind
Wind loads based on MWFRS with additional C&C member design.
Left end vertical not exposed to wind pressure.
Wind loading based on both gable and hip roof types.

Additional Notes
Shim all supports to solid bearing.

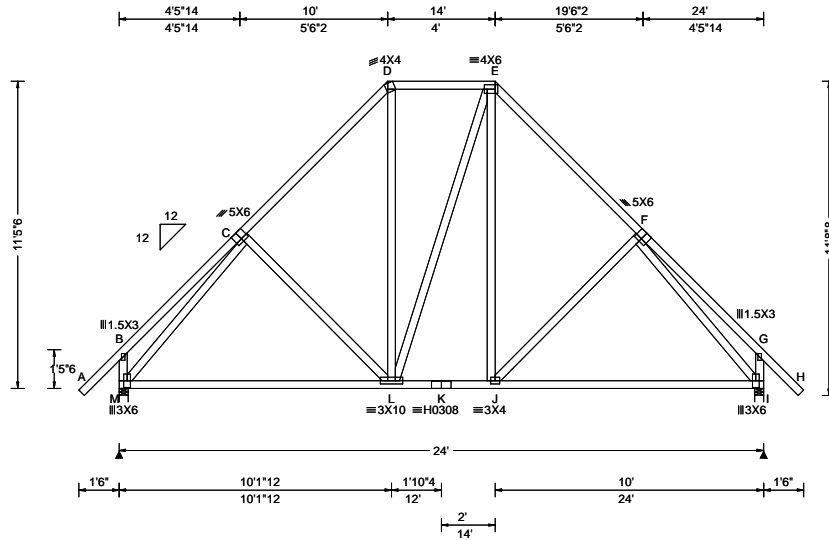


COA #0 278
Florida Certificate of Product Approval #FL1999
10/01/2025

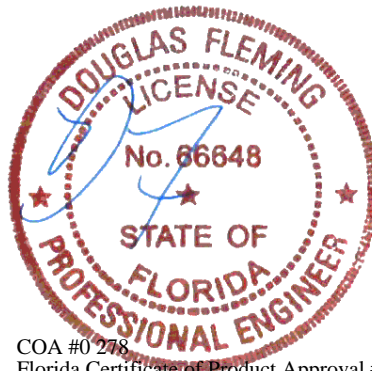
Maximum Bot Chord Forces Per Ply (lbs)			
Chords	Tens.Comp.	Chords	Tens. Comp.
S - R	854 -61	O - M	1325 -514
R - Q	1237 -238	K - I	163 -484
Maximum Web Forces Per Ply (lbs)			
Webs	Tens.Comp.	Webs	Tens. Comp.
S - B	435 -1486	F - M	563 -1376
B - R	1199 -130	M - G	1018 -326
R - C	646 -54	G - L	434 -1205
Q - D	312 -796	L - K	213 -539
Q - O	1088 -188	K - H	217 -438
D - O	1012 -489		

****WARNING** READ AND FOLLOW ALL NOTES ON THIS DRAWING!**
****IMPORTANT** FURNISH THIS DRAWING TO ALL CONTRACTORS INCLUDING THE INSTALLERS**
Trusses require extreme care in fabricating, handling, shipping, installing and bracing. Refer to and follow the latest edition of BCSI (Building Component Safety Information, by TPI and SBCA) for safety practices prior to performing these functions. Installers shall provide temporary bracing per BCSI. Unless noted otherwise, top chord shall have properly attached structural sheathing and bottom chord shall have a properly attached rigid ceiling. Locations shown for permanent lateral restraint of webs shall have continuous lateral restraint (CLR), installed with diagonal bracing installed on the CLR per BCSI sections B3, B7, or B10, as applicable. Apply plates to each face of truss and position as shown above and on the Joint Details, unless noted otherwise. Refer to drawings 160A-Z for standard plate positions. Refer to job's General Notes page for additional information.
Alpine, a division of ITW Building Components Group Inc. shall not be responsible for any deviation from this drawing, any failure to build the truss in conformance with ANSI/TPI 1, or for handling, shipping, installation and bracing of trusses. A seal on this drawing or cover page listing this drawing, indicates acceptance of professional engineering responsibility solely for the design shown. The suitability and use of this drawing for any structure is the responsibility of the Building Designer per ANSI/TPI 1 Sec.2.
For more information see these web sites: Alpine: alpineitw.com; TPI: tpinst.org; SBCA: sbcacomponents.com; ICC: iccsafe.org; AWC: awc.org





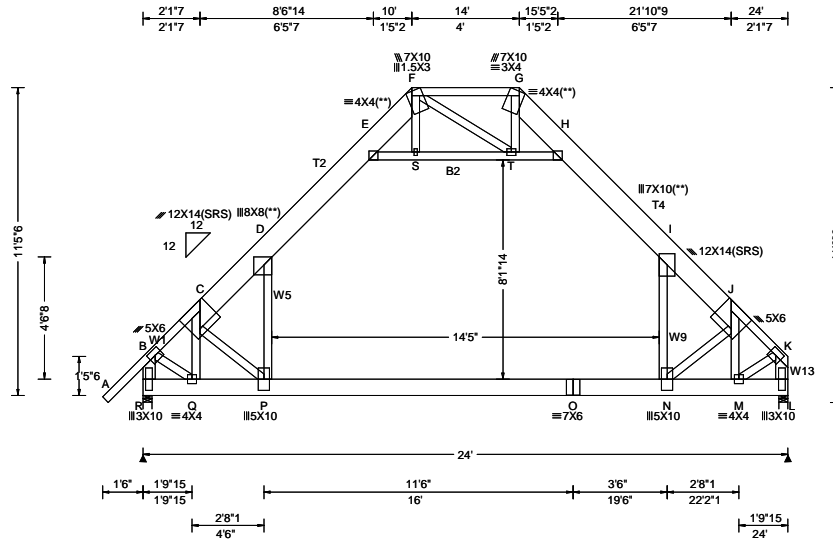
Loading Criteria (psf) TCCL: 20.00 TCCL: 7.00 BCLL: 0.00 BCDL: 10.00 Des Ld: 37.00 NCBCLL: 10.00 Soffit: 2.00 Load Duration: 1.25 Spacing: 24.0 "	Wind Criteria Wind Std: ASCE 7-22 Speed: 140 mph Enclosure: Closed Risk Category: II EXP: C Kzt: NA Mean Height: 15.79 ft TCCL: 4.0 psf BCDL: 5.0 psf MWFRS Parallel Dist: 0 to h/2 C&C Dist a: 3.00 ft Loc. from endwall: Any GCp: 0.18 Wind Duration: 1.60	Snow Criteria (Pg,Pf in PSF) Pg: NA Ct: NA CAT: NA Pf: NA Ce: NA Lu: NA Cs: NA Snow Duration: NA Building Code: FBC 8th Ed. 2023 Res. TPI Std: 2014 Rep Fac: Yes FT/RT:20(0)/10(0) Plate Type(s): WAVE, HS	Defl/CSI Criteria PP Deflection in loc L/defl L/# VERT(LL): 0.021 J 999 360 VERT(CL): 0.040 J 999 240 HORZ(LL): 0.015 G - - HORZ(TL): 0.029 G - - Creep Factor: 2.0 Max TC CSI: 0.282 Max BC CSI: 0.644 Max Web CSI: 0.868 VIEW Ver: 24.02.00C.1213.15	▲ Maximum Reactions (lbs) Gravity Non-Gravity Loc R+ / R- / Rh / Rw / U / RL M 1049 -/ - /527 /259 /431 I 1048 -/ - /527 /259 -/ Wind reactions based on MWFRS M Brg Wid = 4.0 Min Req = 1.5 (Truss) I Brg Wid = 4.0 Min Req = 1.5 (Truss) Bearings M & I are a rigid surface. Members not listed have forces less than 375# Maximum Top Chord Forces Per Ply (lbs) Chords Tens.Comp. Chords Tens. Comp. C - D 477 -854 E - F 480 -857 D - E 461 -520
				Lumber Top chord: 2x4 SP #1; Bot chord: 2x4 SP #1; Webs: 2x4 SP #3; Purlins In lieu of rigid ceiling use purlins to brace BC @ 24" oc. Wind Wind loads based on MWFRS with additional C&C member design. End verticals not exposed to wind pressure. Wind loading based on both gable and hip roof types.



COA #0 278
 Florida Certificate of Product Approval #FL1999
 10/01/2025

****WARNING** READ AND FOLLOW ALL NOTES ON THIS DRAWING!**
****IMPORTANT** FURNISH THIS DRAWING TO ALL CONTRACTORS INCLUDING THE INSTALLERS**
 Trusses require extreme care in fabricating, handling, shipping, installing and bracing. Refer to and follow the latest edition of BCSI (Building Component Safety Information, by TPI and SBCA) for safety practices prior to performing these functions. Installers shall provide temporary bracing per BCSI. Unless noted otherwise, top chord shall have properly attached structural sheathing and bottom chord shall have a properly attached rigid ceiling. Locations shown for permanent lateral restraint of webs shall have continuous lateral restraint (CLR), installed with diagonal bracing installed on the CLR per BCSI sections B3, B7, or B10, as applicable. Apply plates to each face of truss and position as shown above and on the Joint Details, unless noted otherwise. Refer to drawings 160A-Z for standard plate positions. Refer to job's General Notes page for additional information.
 Alpine, a division of ITW Building Components Group Inc. shall not be responsible for any deviation from this drawing, any failure to build the truss in conformance with ANSI/TPI 1, or for handling, shipping, installation and bracing of trusses. A seal on this drawing or cover page listing this drawing, indicates acceptance of professional engineering responsibility solely for the design shown. The suitability and use of this drawing for any structure is the responsibility of the Building Designer per ANSI/TPI 1 Sec.2.
 For more information see these web sites: Alpine: alpineitw.com; TPI: tpinst.org; SBCA: sbcacomponents.com; ICC: iccsafe.org; AWC: awc.org





Loading Criteria (psf) TCLL: 20.00 TCDL: 7.00 BCLL: 0.00 BCDL: 10.00 Des Ld: 37.00 NCBCLL: 10.00 Soffit: 2.00 Load Duration: 1.25 Spacing: 24.0 "	Wind Criteria Wind Std: ASCE 7-22 Speed: 140 mph Enclosure: Closed Risk Category: II EXP: C Kzt: NA Mean Height: 15.79 ft TCDL: 4.0 psf BCDL: 5.0 psf MWFRS Parallel Dist: 0 to h/2 C&C Dist a: 3.00 ft Loc. from endwall: Any GCp: 0.18 Wind Duration: 1.60	Snow Criteria (Pg,Pf in PSF) Pg: NA Ct: NA CAT: NA Pf: NA Ce: NA Lu: NA Cs: NA Snow Duration: NA Building Code: FBC 8th Ed. 2023 Res. TPI Std: 2014 Rep Fac: Yes FT/RT:20(0)/10(0) Plate Type(s): WAVE	Defl/CSI Criteria PP Deflection in loc L/defl L/# VERT(LL): 0.092 N 999 360 VERT(CL): 0.198 N 999 240 HORZ(LL): 0.087 D - - HORZ(TL): 0.183 D - - Creep Factor: 2.0 Max TC CSI: 0.421 Max BC CSI: 0.665 Max Web CSI: 0.516 VIEW Ver: 24.02.00C.1213.15	▲ Maximum Reactions (lbs) Gravity Non-Gravity Loc R+ / R- / Rh / Rw / U / RL R 2080 -/- /- /523 /255 /451 L 1983 -/- /- /529 /219 -/ Wind reactions based on MWFRS R Brg Wid = 4.0 Min Req = 2.1 (Truss) L Brg Wid = 4.0 Min Req = 2.0 (Truss) Bearings R & L are a rigid surface. Members not listed have forces less than 375# Maximum Top Chord Forces Per Ply (lbs) Chords Tens.Comp. Chords Tens. Comp. B - C 340 -1725 H - I 423 -1537 C - D 393 -2723 I - J 398 -2733 D - E 424 -1540 J - K 319 -1736 F - G 435 -115
-------------------------------------------------------------------------------------------------------------------------------------------------------------------------------------	------------------------------------------------------------------------------------------------------------------------------------------------------------------------------------------------------------------------------------------------------------------------------------------------------------	----------------------------------------------------------------------------------------------------------------------------------------------------------------------------------------------------------------------------------------------------	-------------------------------------------------------------------------------------------------------------------------------------------------------------------------------------------------------------------------------------------------------------------------------------------------	----------------------------------------------------------------------------------------------------------------------------------------------------------------------------------------------------------------------------------------------------------------------------------------------------------------------------------------------------------------------------------------------------------------------------------------------------------------------------------------------------------------------------------------------------------------------------------------

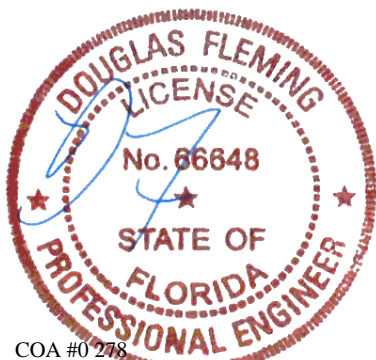
Lumber
Top chord: 2x4 SP #1; T2,T4 2x10 SP SS Dense;
Bot chord: 2x8 SP SS Dense; B2 2x4 SP #1;
Webs: 2x4 SP #3; W1,W13 2x6 SP #1; W5,
W9 2x4 SP #1;

Plating Notes
(**) 4 plate(s) require special positioning. Refer to scaled plate plot details for special positioning requirements.

Loading
Attic room loading from 4-9-8 to 19-2-8: Live Load: 40 PSF. Dead Load: 10 PSF Ceiling: 10 PSF, Kneewalls: 10 PSF

Purlins
In lieu of rigid ceiling use purlins to brace BC @ 24" oc.
Collar-tie braced with continuous lateral bracing at 24" oc. or rigid ceiling.

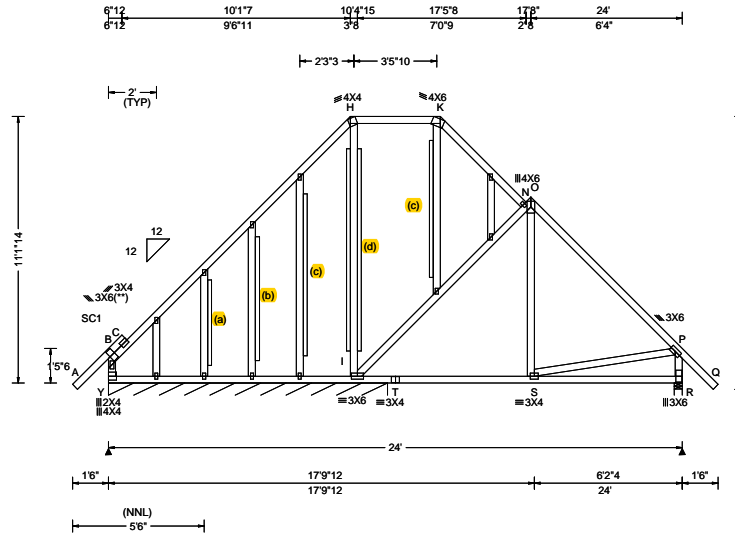
Wind
Wind loads based on MWFRS with additional C&C member design.
End verticals not exposed to wind pressure.
Wind loading based on both gable and hip roof types.



COA #0 278
Florida Certificate of Product Approval #FL1999
10/01/2025

****WARNING** READ AND FOLLOW ALL NOTES ON THIS DRAWING!**
****IMPORTANT** FURNISH THIS DRAWING TO ALL CONTRACTORS INCLUDING THE INSTALLERS**
Trusses require extreme care in fabricating, handling, shipping, installing and bracing. Refer to and follow the latest edition of BCSI (Building Component Safety Information, by TPI and SBCA) for safety practices prior to performing these functions. Installers shall provide temporary bracing per BCSI. Unless noted otherwise, top chord shall have properly attached structural sheathing and bottom chord shall have a properly attached rigid ceiling. Locations shown for permanent lateral restraint of webs shall have continuous lateral restraint (CLR), installed with diagonal bracing installed on the CLR per BCSI sections B3, B7, or B10, as applicable. Apply plates to each face of truss and position as shown above and on the Joint Details, unless noted otherwise. Refer to drawings 160A-Z for standard plate positions. Refer to job's General Notes page for additional information.
Alpine, a division of ITW Building Components Group Inc. shall not be responsible for any deviation from this drawing, any failure to build the truss in conformance with ANSI/TPI 1, or for handling, shipping, installation and bracing of trusses. A seal on this drawing or cover page listing this drawing, indicates acceptance of professional engineering responsibility solely for the design shown. The suitability and use of this drawing for any structure is the responsibility of the Building Designer per ANSI/TPI 1 Sec.2.
For more information see these web sites: Alpine: alpineitw.com; TPI: tpinst.org; SBCA: sbcacomponents.com; ICC: iccsafe.org; AWC: awc.org





Loading Criteria (psf) TCLL: 20.00 TCDL: 7.00 BCLL: 0.00 BCDL: 10.00 Des Ld: 37.00 NCBCLL: 10.00 Soffit: 2.00 Load Duration: 1.25 Spacing: 24.0 "	Wind Criteria Speed: 140 mph Risk Category: II Enclosure: Closed EXP: C Kzt: NA TCDL: 4.0 psf BCDL: 5.0 psf Mean Height: 15.79 ft MWFRS Parallel Dist: 0 to h/2 C&C Dist a: 3.00 ft Loc. from endwall: Any GCpi: 0.18 Wind Duration: 1.60	Snow Criteria (Pg,Pf in PSF) Pg: NA Ct: NA CAT: NA Pf(ASD): NA Ce: NA Lu: NA Cs: NA Snow Duration: NA Building Code: FBC 8th Ed. 2023 Res. Load Std: ASCE 7-22 TPI Std: 2014 Rep Fac: Yes FT/RT:20(0)/10(0) Plate Type(s): WAVE	Defl/CSI Criteria PP Deflection in loc L/defl L/# VERT(LL): 0.067 J 999 360 VERT(CL): 0.140 J 999 240 HORIZ(LL): 0.069 J - - HORIZ(TL): 0.153 J - - Creep Factor: 2.0 Max TC CSI: 0.420 Max BC CSI: 0.254 Max Web CSI: 0.974 VIEW Ver: 25.01.00C.0728.19	▲ Maximum Reactions (lbs), or *=PLF Gravity Non-Gravity Loc R+ / R- / Rh / Rw / U / RL Y* 117 /- /- /59 /23 /32 R 724 /- /- /282 /163 /- Wind reactions based on MWFRS Y Brg Wid = 140 Min Req = - R Brg Wid = 4.0 Min Req = 1.5 (Truss) Bearings Y & R are a rigid surface. Members not listed have forces less than 375# Maximum Top Chord Forces Per Ply (lbs) Chords Tens.Comp. Chords Tens. Comp. B - C 417 -565 O - P 220 -622 I - N 311 -435
-------------------------------------------------------------------------------------------------------------------------------------------------------------------------------------	--------------------------------------------------------------------------------------------------------------------------------------------------------------------------------------------------------------------------------------------------------------------------------------	--------------------------------------------------------------------------------------------------------------------------------------------------------------------------------------------------------------------------------------------------------------------------------	---------------------------------------------------------------------------------------------------------------------------------------------------------------------------------------------------------------------------------------------------------------------------------------------------	----------------------------------------------------------------------------------------------------------------------------------------------------------------------------------------------------------------------------------------------------------------------------------------------------------------------------------------------------------------------------------------------------------------------------------------------------------------------------------------------------------

Lumber
Top chord: 2x4 SP #1;
Bot chord: 2x4 SP #1;
Webs: 2x4 SP #3;
Stack Chord: SC1 2x4 SP #1;

Plating Notes
All plates are 1.5X3 except as noted.
(**) 1 plate(s) require special positioning. Refer to scaled plate detail for special positioning requirements.

Loading
Gable end supports 8" max rake overhang. Top chord must not be cut or notched.

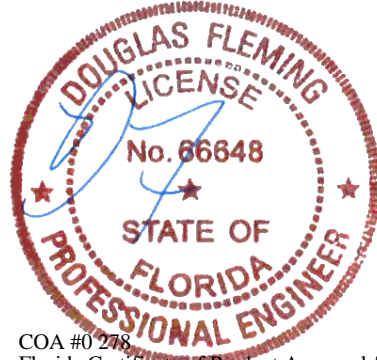
Purlins
In lieu of rigid ceiling use purlins to brace BC @ 24" oc.

Wind
Wind loads based on MWFRS with additional C&C member design.
End verticals not exposed to wind pressure.
Wind loading based on both gable and hip roof types.
Gable meets L/120 deflection criteria for wind load applied to face. Calculated deflection ratio is L/322.
The perimeter of the gable face exposed to lateral wind loads shall be restrained. Connections to and the design of diaphragms is the responsibility of the Building Designer per ANSI/TPI 1.

Gable Reinforcement
(a) 2x3 SP/DF #2 or better "L" reinforcement. 80% length of web member. Attach with 10d (0.131"x3",min.) nails @ 2" oc at each end for the first 18" and then 4" oc for the remainder.
(b) 2x6 "L" reinforcement. Any species and grade. 80% length of web member. Attach with 10d (0.131"x3",min.) nails @ 2" oc at each end for the first 18" and then 4" oc for the remainder.
(c) 2x6 "L" reinforcement. Same species and grade as web. 80% length of web member. Attach with 10d (0.131"x3",min.) nails @ 2" oc at each end for the first 18" and then 4" oc for the remainder.
(d) Two 2x6 SP/DF #2 or better "L" reinforcements. 80% length of web member. Attach one to each narrow face of web with 10d (0.131"x3",min.) nails @ 2" oc at each end for the first 18" and then 6" oc for the remainder.

Maximum Bot Chord Forces Per Ply (lbs)
Chords Tens.Comp.
I - T 706 -1

Maximum Web Forces Per Ply (lbs)
Webs Tens.Comp.
P - R 327 -672



COA #0 278
Florida Certificate of Product Approval #FL1999
10/01/2025

****WARNING** READ AND FOLLOW ALL NOTES ON THIS DRAWING!**
****IMPORTANT** FURNISH THIS DRAWING TO ALL CONTRACTORS INCLUDING THE INSTALLERS**
Trusses require extreme care in fabricating, handling, shipping, installing and bracing. Refer to and follow the latest edition of BCSI (Building Component Safety Information, by TPI and SBCA) for safety practices prior to performing these functions. Installers shall provide temporary bracing per BCSI. Unless noted otherwise, top chord shall have properly attached structural sheathing and bottom chord shall have a properly attached rigid ceiling. Locations shown for permanent lateral restraint of webs shall have continuous lateral restraint (CLR), installed with diagonal bracing installed on the CLR per BCSI sections B3, B7, or B10, as applicable. Apply plates to each face of truss and position as shown above and on the Joint Details, unless noted otherwise. Refer to drawings 160A-Z for standard plate positions. Refer to job's General Notes page for additional information.
Alpine, a division of ITW Building Components Group Inc. shall not be responsible for any deviation from this drawing, any failure to build the truss in conformance with ANSI/TPI 1, or for handling, shipping, installation and bracing of trusses. A seal on this drawing or cover page listing this drawing, indicates acceptance of professional engineering responsibility solely for the design shown. The suitability and use of this drawing for any structure is the responsibility of the Building Designer per ANSI/TPI 1 Sec.2.
For more information see these web sites: Alpine: alpineitw.com; TPI: tpinst.org; SBCA: sbcacomponents.com; ICC: iccsafe.org; AWC: awc.org

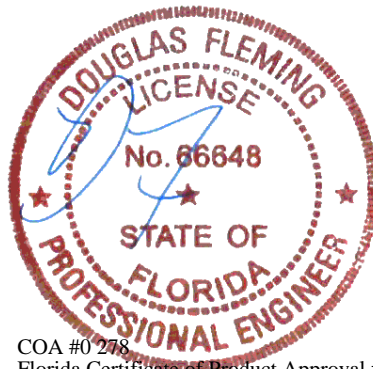


SEQN: 44430	GABL	Ply: 1	Job Number: B61790R	Cust: R 857 JRef: 1YdU8570005 T13
FROM: SDY		Qty: 1	Gardner Residence	DrwNo: 273.25.1545.35320
Page 2 of 2			Truss Label: B03	SSB / DF 09/30/2025

Additional Notes

Exposed portion of gable face shall be reinforced with sheathing and the wind pressures shall be transferred into lateral diaphragms. Connections and designs for diaphragms is the responsibility of the Building Designer in accordance with ANSI/TPI 1.

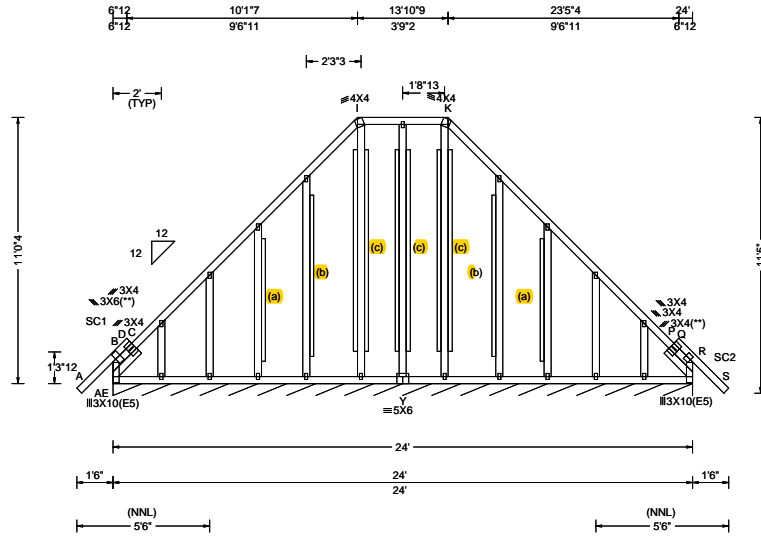
Stacked top chord must NOT be notched or cut in area (NNL). Dropped top chord braced at 24" oc intervals. Attach stacked top chord (SC) to dropped top chord in notchable area using 3x4 tie-plates 24" oc. Center plate on stacked/dropped chord interface, plate length perpendicular to chord length. Splice top chord in notchable area using 3x6.



COA #0 278
 Florida Certificate of Product Approval #FL1999
 10/01/2025

****WARNING** READ AND FOLLOW ALL NOTES ON THIS DRAWING!**
****IMPORTANT** FURNISH THIS DRAWING TO ALL CONTRACTORS INCLUDING THE INSTALLERS**
 Trusses require extreme care in fabricating, handling, shipping, installing and bracing. Refer to and follow the latest edition of BCSI (Building Component Safety Information, by TPI and SBCA) for safety practices prior to performing these functions. Installers shall provide temporary bracing per BCSI. Unless noted otherwise, top chord shall have properly attached structural sheathing and bottom chord shall have a properly attached rigid ceiling. Locations shown for permanent lateral restraint of webs shall have continuous lateral restraint (CLR), installed with diagonal bracing installed on the CLR per BCSI sections B3, B7, or B10, as applicable. Apply plates to each face of truss and position as shown above and on the Joint Details, unless noted otherwise. Refer to drawings 160A-Z for standard plate positions. Refer to job's General Notes page for additional information.
 Alpine, a division of ITW Building Components Group Inc. shall not be responsible for any deviation from this drawing, any failure to build the truss in conformance with ANSI/TPI 1, or for handling, shipping, installation and bracing of trusses. A seal on this drawing or cover page listing this drawing, indicates acceptance of professional engineering responsibility solely for the design shown. The suitability and use of this drawing for any structure is the responsibility of the Building Designer per ANSI/TPI 1 Sec.2.
 For more information see these web sites: Alpine: alpineitw.com; TPI: tpinst.org; SBCA: sbcacomponents.com; ICC: iccsafe.org; AWC: awc.org





Loading Criteria (psf)	Wind Criteria	Snow Criteria (Pg,Pf in PSF)	Defl/CSI Criteria	▲ Maximum Reactions (lbs), or *=PLF
TCCL: 20.00 TC DL: 7.00 BCLL: 0.00 BCDL: 10.00 Des Ld: 37.00 NCBCLL: 10.00 Soffit: 2.00 Load Duration: 1.25 Spacing: 24.0 "	Wind Std: ASCE 7-22 Speed: 140 mph Enclosure: Closed Risk Category: II EXP: C Kzt: NA Mean Height: 15.79 ft TC DL: 4.0 psf BCDL: 5.0 psf MWFRS Parallel Dist: 0 to h/2 C&C Dist a: 3.00 ft Loc. from endwall: Any GCp: 0.18 Wind Duration: 1.60	Pg: NA Ct: NA CAT: NA Pf: NA Ce: NA Lu: NA Cs: NA Snow Duration: NA Building Code: FBC 8th Ed. 2023 Res. TPI Std: 2014 Rep Fac: Yes FT/RT:20(0)/10(0) Plate Type(s): WAVE	PP Deflection in loc L/defl L/# VERT(LL): 0.003 J 999 360 VERT(CL): 0.005 P 999 240 HORZ(LL): 0.002 Q - - HORZ(TL): 0.015 P - - Creep Factor: 2.0 Max TC CSI: 0.167 Max BC CSI: 0.036 Max Web CSI: 0.970 VIEW Ver: 24.02.00C.1213.15	Gravity Non-Gravity Loc R+ / R- / Rh / Rw / U / RL AE* 87 / - / - / 40 / 18 / 16 Wind reactions based on MWFRS AE Brg Wid = 288 Min Req = - Bearing AE is a rigid surface. Members not listed have forces less than 375# Maximum Top Chord Forces Per Ply (lbs) Chords Tens.Comp. Chords Tens. Comp. D - I 429 -309 K - P 429 -309

Lumber
 Top chord: 2x4 SP #1;
 Bot chord: 2x4 SP #1;
 Webs: 2x4 SP #3;
 Stack Chord: SC1 2x4 SP #1;
 Stack Chord: SC2 2x4 SP #1;
 Lt Slider: 2x4 SP #3; block length = 1.516'
 Rt Slider: 2x4 SP #3; block length = 1.516'

Plating Notes
 All plates are 1.5X3 except as noted.
 (**) 2 plate(s) require special positioning. Refer to scaled plate plot details for special positioning requirements.

Purlins
 In lieu of rigid ceiling use purlins to brace BC @ 24" oc.

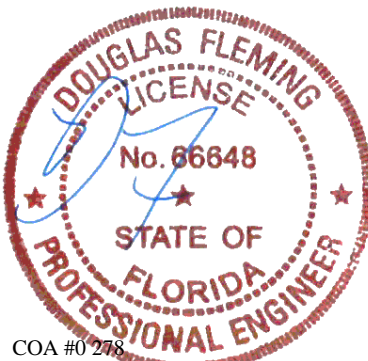
Wind
 Wind loads based on MWFRS with additional C&C member design.
 Wind loading based on both gable and hip roof types.
 Gable meets L/120 deflection criteria for wind load applied to face. Calculated deflection ratio is L/227.

Gable Reinforcement

(a) 2x6 "L" reinforcement. Any species and grade. 80% length of web member. Attach with 10d (0.131"x3",min.) nails @ 2" oc at each end for the first 18" and then 4" oc for the remainder.

(b) 2x6 "L" reinforcement. Same species and grade as web. 80% length of web member. Attach with 10d (0.131"x3",min.) nails @ 2" oc at each end for the first 18" and then 4" oc for the remainder.

(c) Two 2x6 "L" reinforcements. Any species and grade. 80% length of web member. Attach one to each narrow face of web with 10d (0.131"x3",min.) nails @ 2" oc at each end for the first 18" and then 6" oc for the remainder.



COA #0 278
 Florida Certificate of Product Approval #FL1999
 10/01/2025

****WARNING** READ AND FOLLOW ALL NOTES ON THIS DRAWING!**
****IMPORTANT** FURNISH THIS DRAWING TO ALL CONTRACTORS INCLUDING THE INSTALLERS**
 Trusses require extreme care in fabricating, handling, shipping, installing and bracing. Refer to and follow the latest edition of BCSI (Building Component Safety Information, by TPI and SBCA) for safety practices prior to performing these functions. Installers shall provide temporary bracing per BCSI. Unless noted otherwise, top chord shall have properly attached structural sheathing and bottom chord shall have a properly attached rigid ceiling. Locations shown for permanent lateral restraint of webs shall have continuous lateral restraint (CLR), installed with diagonal bracing installed on the CLR per BCSI sections B3, B7, or B10, as applicable. Apply plates to each face of truss and position as shown above and on the Joint Details, unless noted otherwise. Refer to drawings 160A-Z for standard plate positions. Refer to job's General Notes page for additional information.
 Alpine, a division of ITW Building Components Group Inc. shall not be responsible for any deviation from this drawing, any failure to build the truss in conformance with ANSI/TPI 1, or for handling, shipping, installation and bracing of trusses. A seal on this drawing or cover page listing this drawing, indicates acceptance of professional engineering responsibility solely for the design shown. The suitability and use of this drawing for any structure is the responsibility of the Building Designer per ANSI/TPI 1 Sec.2.
 For more information see these web sites: Alpine: alpineitw.com; TPI: tpinst.org; SBCA: sbccomponents.com; ICC: iccsafe.org; AWC: awc.org

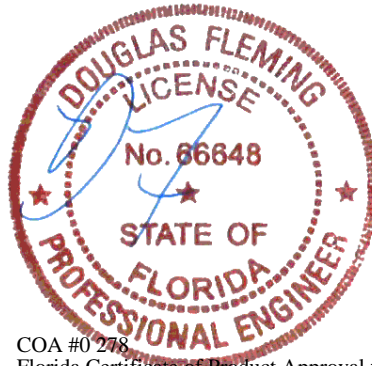


SEQN: 69482	GABL	Ply: 1	Job Number: B61790R	Cust: R 857 JRef: 1YdU8570005 T34
FROM: SDY		Qty: 1	Gardner Residence	DrwNo: 273.25.1542.12053
Page 2 of 2			Truss Label: B04	SSB / DF 09/30/2025

Additional Notes

Exposed portion of gable face shall be reinforced with sheathing and the wind pressures shall be transferred into lateral diaphragms. Connections and designs for diaphragms is the responsibility of the Building Designer in accordance with ANSI/TPI 1.

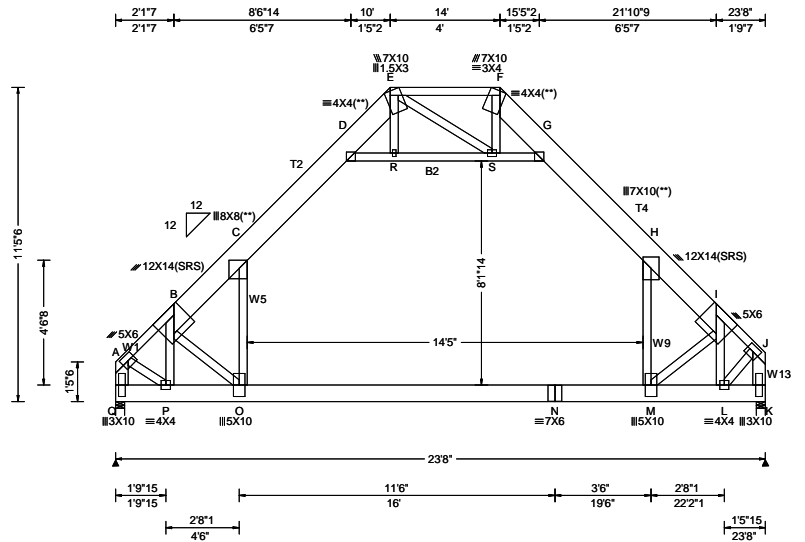
Stacked top chord must NOT be notched or cut in area (NNL). Dropped top chord braced at 24" oc intervals. Attach stacked top chord (SC) to dropped top chord in notchable area using 3x4 tie-plates 24" oc. Center plate on stacked/dropped chord interface, plate length perpendicular to chord length. Splice top chord in notchable area using 3x6.



COA #0 278
 Florida Certificate of Product Approval #FL1999
 10/01/2025

****WARNING** READ AND FOLLOW ALL NOTES ON THIS DRAWING!**
****IMPORTANT** FURNISH THIS DRAWING TO ALL CONTRACTORS INCLUDING THE INSTALLERS**
 Trusses require extreme care in fabricating, handling, shipping, installing and bracing. Refer to and follow the latest edition of BCSI (Building Component Safety Information, by TPI and SBCA) for safety practices prior to performing these functions. Installers shall provide temporary bracing per BCSI. Unless noted otherwise, top chord shall have properly attached structural sheathing and bottom chord shall have a properly attached rigid ceiling. Locations shown for permanent lateral restraint of webs shall have continuous lateral restraint (CLR), installed with diagonal bracing installed on the CLR per BCSI sections B3, B7, or B10, as applicable. Apply plates to each face of truss and position as shown above and on the Joint Details, unless noted otherwise. Refer to drawings 160A-Z for standard plate positions. Refer to job's General Notes page for additional information.
 Alpine, a division of ITW Building Components Group Inc. shall not be responsible for any deviation from this drawing, any failure to build the truss in conformance with ANSI/TPI 1, or for handling, shipping, installation and bracing of trusses. A seal on this drawing or cover page listing this drawing, indicates acceptance of professional engineering responsibility solely for the design shown. The suitability and use of this drawing for any structure is the responsibility of the Building Designer per ANSI/TPI 1 Sec.2.
 For more information see these web sites: Alpine: alpineitw.com; TPI: tpinst.org; SBCA: sbcacomponents.com; ICC: iccsafe.org; AWC: awc.org





Loading Criteria (psf) TCLL: 20.00 TCDL: 7.00 BCLL: 0.00 BCDL: 10.00 Des Ld: 37.00 NCBCLL: 10.00 Soffit: 2.00 Load Duration: 1.25 Spacing: 24.0 "	Wind Criteria Wind Std: ASCE 7-22 Speed: 140 mph Enclosure: Closed Risk Category: II EXP: C Kzt: NA Mean Height: 16.54 ft TCDL: 4.0 psf BCDL: 5.0 psf MWFRS Parallel Dist: h/2 to h C&C Dist a: 3.00 ft Loc. from endwall: not in 9.00 ft GCp: 0.18 Wind Duration: 1.60	Snow Criteria (Pg,Pf in PSF) Pg: NA Ct: NA CAT: NA Pf: NA Ce: NA Lu: NA Cs: NA Snow Duration: NA Building Code: FBC 8th Ed. 2023 Res. TPI Std: 2014 Rep Fac: Yes FT/RT:20(0)/10(0) Plate Type(s): WAVE	Defl/CSI Criteria PP Deflection in loc L/defl L/# VERT(LL): 0.095 O 999 360 VERT(CL): 0.203 O 999 240 HORZ(LL): 0.091 C - - HORZ(TL): 0.195 C - - Creep Factor: 2.0 Max TC CSI: 0.423 Max BC CSI: 0.667 Max Web CSI: 0.510 VIEW Ver: 24.02.00C.1213.15	▲ Maximum Reactions (lbs) Gravity Non-Gravity Loc R+ / R- / Rh / Rw / U / RL Q 1958 - / - / - / 521 / 203 / 417 K 1987 - / - / - / 527 / 203 / - Wind reactions based on MWFRS Q Brg Wid = 4.0 Min Req = 2.0 (Truss) K Brg Wid = 4.0 Min Req = 2.0 (Truss) Bearings Q & K are a rigid surface. Members not listed have forces less than 375# Maximum Top Chord Forces Per Ply (lbs) Chords Tens.Comp. Chords Tens. Comp. A - B 226 - 1715 G - H 324 - 1522 B - C 274 - 2684 H - I 262 - 2611 C - D 320 - 1498 I - J 192 - 1423 E - F 427 - 118
-------------------------------------------------------------------------------------------------------------------------------------------------------------------------------------	-----------------------------------------------------------------------------------------------------------------------------------------------------------------------------------------------------------------------------------------------------------------------------------------------------------------------	----------------------------------------------------------------------------------------------------------------------------------------------------------------------------------------------------------------------------------------------------	-------------------------------------------------------------------------------------------------------------------------------------------------------------------------------------------------------------------------------------------------------------------------------------------------	-----------------------------------------------------------------------------------------------------------------------------------------------------------------------------------------------------------------------------------------------------------------------------------------------------------------------------------------------------------------------------------------------------------------------------------------------------------------------------------------------------------------------------------------------------------------------------------------------------------

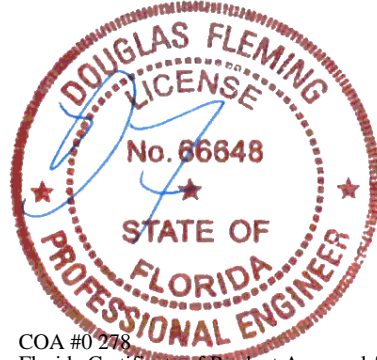
Lumber
Top chord: 2x4 SP #1; T2,T4 2x10 SP SS Dense;
Bot chord: 2x8 SP SS Dense; B2 2x4 SP #1;
Webs: 2x4 SP #3; W1,W13 2x6 SP #1; W5,
W9 2x4 SP #1;

Plating Notes
(**) 4 plate(s) require special positioning. Refer to scaled plate plot details for special positioning requirements.

Loading
Attic room loading from 4-9-8 to 19-2-8: Live Load: 40 PSF. Dead Load: 10 PSF Ceiling: 10 PSF, Kneewalls: 10 PSF

Purlins
In lieu of rigid ceiling use purlins to brace BC @ 24" oc.
Collar-tie braced with continuous lateral bracing at 24" oc. or rigid ceiling.

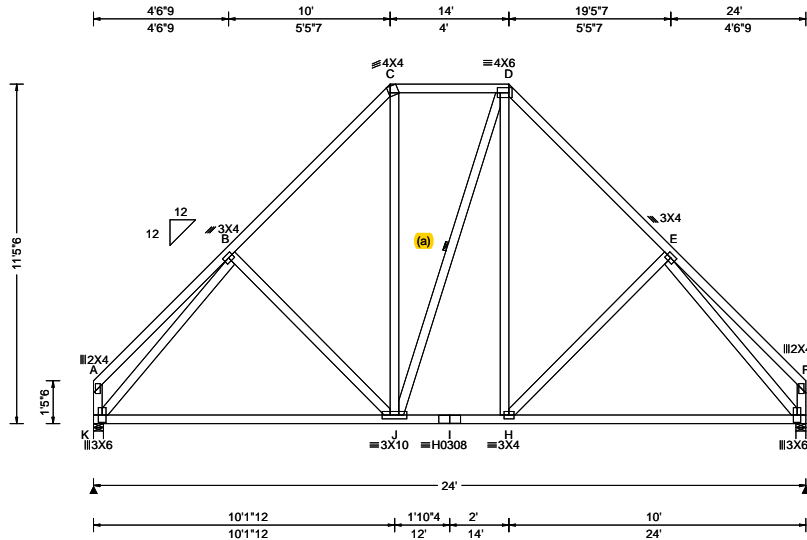
Wind
Wind loads based on MWFRS with additional C&C member design.
End verticals not exposed to wind pressure.
Wind loading based on both gable and hip roof types.



COA #0 278
Florida Certificate of Product Approval #FL1999
10/01/2025

****WARNING** READ AND FOLLOW ALL NOTES ON THIS DRAWING!**
****IMPORTANT** FURNISH THIS DRAWING TO ALL CONTRACTORS INCLUDING THE INSTALLERS**
Trusses require extreme care in fabricating, handling, shipping, installing and bracing. Refer to and follow the latest edition of BCSI (Building Component Safety Information, by TPI and SBCA) for safety practices prior to performing these functions. Installers shall provide temporary bracing per BCSI. Unless noted otherwise, top chord shall have properly attached structural sheathing and bottom chord shall have a properly attached rigid ceiling. Locations shown for permanent lateral restraint of webs shall have continuous lateral restraint (CLR), installed with diagonal bracing installed on the CLR per BCSI sections B3, B7, or B10, as applicable. Apply plates to each face of truss and position as shown above and on the Joint Details, unless noted otherwise. Refer to drawings 160A-Z for standard plate positions. Refer to job's General Notes page for additional information.
Alpine, a division of ITW Building Components Group Inc. shall not be responsible for any deviation from this drawing, any failure to build the truss in conformance with ANSI/TPI 1, or for handling, shipping, installation and bracing of trusses. A seal on this drawing or cover page listing this drawing, indicates acceptance of professional engineering responsibility solely for the design shown. The suitability and use of this drawing for any structure is the responsibility of the Building Designer per ANSI/TPI 1 Sec.2.
For more information see these web sites: Alpine: alpineitw.com; TPI: tpinst.org; SBCA: sbcacomponents.com; ICC: iccsafe.org; AWC: awc.org





Loading Criteria (psf) TCLL: 20.00 TCDL: 7.00 BCLL: 0.00 BCDL: 10.00 Des Ld: 37.00 NCBCLL: 10.00 Soffit: 2.00 Load Duration: 1.25 Spacing: 24.0 "	Wind Criteria Wind Std: ASCE 7-22 Speed: 140 mph Enclosure: Closed Risk Category: II EXP: C Kzt: NA Mean Height: 16.54 ft TCDL: 4.0 psf BCDL: 5.0 psf MWFRS Parallel Dist: h/2 to h C&C Dist a: 3.00 ft Loc. from endwall: not in 9.00 ft GCpi: 0.18 Wind Duration: 1.60	Snow Criteria (Pg,Pf in PSF) Pg: NA Ct: NA CAT: NA Pf: NA Ce: NA Lu: NA Cs: NA Snow Duration: NA Building Code: FBC 8th Ed. 2023 Res. TPI Std: 2014 Rep Fac: Yes FT/RT:20(0)/10(0) Plate Type(s): WAVE, HS	Defl/CSI Criteria PP Deflection in loc L/defl L/# VERT(LL): 0.028 H 999 360 VERT(CL): 0.049 H 999 240 HORZ(LL): 0.019 F - - HORZ(TL): 0.033 F - - Creep Factor: 2.0 Max TC CSI: 0.257 Max BC CSI: 0.706 Max Web CSI: 0.975 VIEW Ver: 24.02.00C.1213.15	▲ Maximum Reactions (lbs) Gravity Non-Gravity Loc R+ / R- / Rh / Rw / U / RL K 1114 /- /- /533 /210 /422 G 1118 /- /- /533 /210 /- Wind reactions based on MWFRS K Brg Wid = 4.0 Min Req = 1.5 (Truss) G Brg Wid = 4.0 Min Req = 1.5 (Truss) Bearings K & G are a rigid surface. Members not listed have forces less than 375# Maximum Top Chord Forces Per Ply (lbs) Chords Tens.Comp. Chords Tens. Comp. B - C 367 -1004 D - E 370 -1014 C - D 357 -626 Maximum Bot Chord Forces Per Ply (lbs) Chords Tens.Comp. Chords Tens. Comp. K - J 716 -290 I - H 628 -45 J - I 628 -45 H - G 721 -131 Maximum Web Forces Per Ply (lbs) Webs Tens.Comp. Webs Tens. Comp. K - B 219 -995 E - G 217 -1006
-------------------------------------------------------------------------------------------------------------------------------------------------------------------------------------	------------------------------------------------------------------------------------------------------------------------------------------------------------------------------------------------------------------------------------------------------------------------------------------------------------------------	--------------------------------------------------------------------------------------------------------------------------------------------------------------------------------------------------------------------------------------------------------	-------------------------------------------------------------------------------------------------------------------------------------------------------------------------------------------------------------------------------------------------------------------------------------------------	--------------------------------------------------------------------------------------------------------------------------------------------------------------------------------------------------------------------------------------------------------------------------------------------------------------------------------------------------------------------------------------------------------------------------------------------------------------------------------------------------------------------------------------------------------------------------------------------------------------------------------------------------------------------------------------------------------------------------------------------------------------------------------------------------

Lumber

Top chord: 2x4 SP #1;
Bot chord: 2x4 SP #1;
Webs: 2x4 SP #3;

Bracing

(a) Continuous lateral restraint equally spaced on member. Or 2x6 #3 or better "T" reinforcement. 80% length of web member. Attached with 10d Box or Gun (0.128"x3", min.)nails @ 6" oc.

Loading

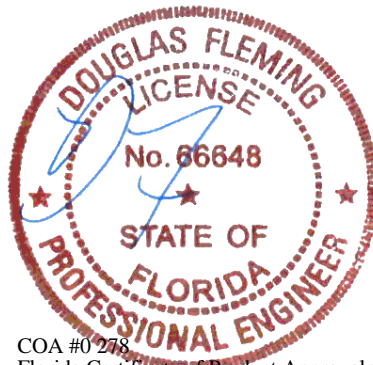
Truss passed check for 20 psf additional bottom chord live load in areas with 42"-high x 24"-wide clearance.

Purlins

In lieu of rigid ceiling use purlins to brace BC @ 24" oc.

Wind

Wind loads based on MWFRS with additional C&C member design.
End verticals not exposed to wind pressure.
Wind loading based on both gable and hip roof types.

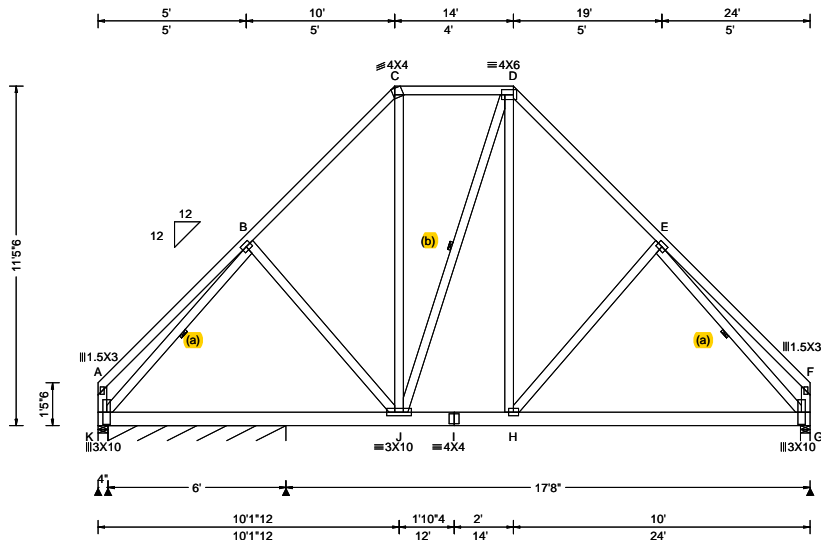


COA #0 278
Florida Certificate of Product Approval #FL1999
10/01/2025

****WARNING** READ AND FOLLOW ALL NOTES ON THIS DRAWING!**
****IMPORTANT** FURNISH THIS DRAWING TO ALL CONTRACTORS INCLUDING THE INSTALLERS**
Trusses require extreme care in fabricating, handling, shipping, installing and bracing. Refer to and follow the latest edition of BCSI (Building Component Safety Information, by TPI and SBCA) for safety practices prior to performing these functions. Installers shall provide temporary bracing per BCSI. Unless noted otherwise, top chord shall have properly attached structural sheathing and bottom chord shall have a properly attached rigid ceiling. Locations shown for permanent lateral restraint of webs shall have continuous lateral restraint (CLR), installed with diagonal bracing installed on the CLR per BCSI sections B3, B7, or B10, as applicable. Apply plates to each face of truss and position as shown above and on the Joint Details, unless noted otherwise. Refer to drawings 160A-Z for standard plate positions. Refer to job's General Notes page for additional information.
Alpine, a division of ITW Building Components Group Inc. shall not be responsible for any deviation from this drawing, any failure to build the truss in conformance with ANSI/TPI 1, or for handling, shipping, installation and bracing of trusses. A seal on this drawing or cover page listing this drawing, indicates acceptance of professional engineering responsibility solely for the design shown. The suitability and use of this drawing for any structure is the responsibility of the Building Designer per ANSI/TPI 1 Sec.2.
For more information see these web sites: Alpine: alpineitw.com; TPI: tpinst.org; SBCA: sbcacomponents.com; ICC: iccsafe.org; AWC: awc.org



SEQN: 69523 FROM: SDY	COMN Ply: 1 Qty: 1	Job Number: B61790R Gardner Residence Truss Label: B07	Cust: R 857 JRref: 1YdU8570005 T9 DrwNo: 273.25.1542.16767 SSB / DF 09/30/2025
--------------------------	--------------------------	--------------------------------------------------------------	--------------------------------------------------------------------------------------



Loading Criteria (psf) TCLL: 20.00 TCDL: 7.00 BCLL: 0.00 BCDL: 10.00 Des Ld: 37.00 NCBCLL: 10.00 Soffit: 2.00 Load Duration: 1.25 Spacing: 24.0 "	Wind Criteria Wind Std: ASCE 7-22 Speed: 140 mph Enclosure: Closed Risk Category: II EXP: C Kzt: NA Mean Height: 16.54 ft TCDL: 4.0 psf BCDL: 5.0 psf MWFRS Parallel Dist: 0 to h/2 C&C Dist a: 3.00 ft Loc. from endwall: not in 9.00 ft GCp: 0.18 Wind Duration: 1.60	Snow Criteria (Pg,Pf in PSF) Pg: NA Ct: NA CAT: NA Pf: NA Ce: NA Lu: NA Cs: NA Snow Duration: NA Building Code: FBC 8th Ed. 2023 Res. TPI Std: 2014 Rep Fac: Varies by Ld Case FT/RT:20(0)/10(0) Plate Type(s): WAVE	Defl/CSI Criteria PP Deflection in loc L/defl L/# VERT(LL): 0.024 H 999 360 VERT(CL): 0.046 H 999 240 HORZ(LL): 0.015 F - - HORZ(TL): 0.031 F - - Creep Factor: 2.0 Max TC CSI: 0.250 Max BC CSI: 0.307 Max Web CSI: 0.778 VIEW Ver: 24.02.00C.1213.15	▲ Maximum Reactions (lbs), or *=PLF Gravity Non-Gravity Loc R+ / R- / Rh / Rw / U / RL K 1042 /- /- /- /415 /- K* 51 /- /- /6 /- /- G 1067 /- /- /- /345 /- Wind reactions based on MWFRS K Brg Wid = 4.0 Min Req = 1.5 (Truss) K Brg Wid = 72.0 Min Req = - G Brg Wid = 4.0 Min Req = 1.5 (Truss) Bearings K, K, & G are a rigid surface. Members not listed have forces less than 375# Maximum Top Chord Forces Per Ply (lbs) Chords Tens.Comp. Chords Tens. Comp.
-------------------------------------------------------------------------------------------------------------------------------------------------------------------------------------	-----------------------------------------------------------------------------------------------------------------------------------------------------------------------------------------------------------------------------------------------------------------------------------------------------------------------	------------------------------------------------------------------------------------------------------------------------------------------------------------------------------------------------------------------------------------------------------------------	-------------------------------------------------------------------------------------------------------------------------------------------------------------------------------------------------------------------------------------------------------------------------------------------------	---------------------------------------------------------------------------------------------------------------------------------------------------------------------------------------------------------------------------------------------------------------------------------------------------------------------------------------------------------------------------------------------------------------------------------------------------------------------------------------------------------------------------

Lumber

Top chord: 2x4 SP #1;
Bot chord: 2x6 SP #1;
Webs: 2x4 SP #3;

Bracing

(a) Continuous lateral restraint equally spaced on member. Or 1x4 #3SRB SPF-S or better "T" reinforcement. 80% length of web member. Attached with 8d Box or Gun (0.113"x2.5",min.)nails @ 6" oc.
(b) Continuous lateral restraint equally spaced on member. Or 2x6 #3 or better "T" reinforcement. 80% length of web member. Attached with 10d Box or Gun (0.128"x3",min.)nails @ 6" oc.

Special Loads

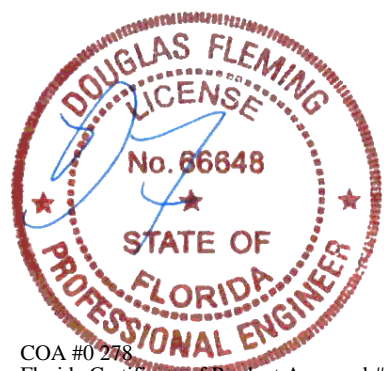
----- (Lumber Dur.Fac.=1.25 / Plate Dur.Fac.=1.25)
TC: From 60 plf at 0.00 to 60 plf at 24.00
BC: From 20 plf at 0.00 to 20 plf at 24.00
BC: 444 lb Conc. Load at 9.56

Plating Notes

All plates are 3X4 except as noted.

Wind

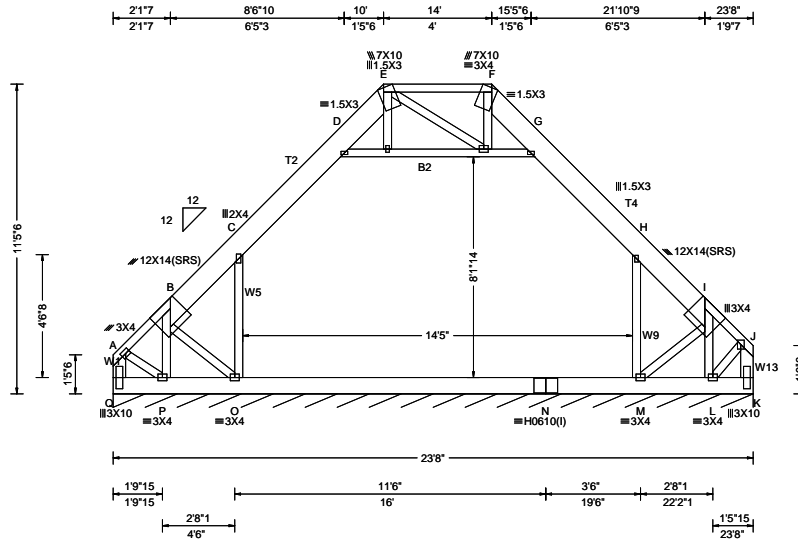
Wind loads and reactions based on MWFRS.
End verticals not exposed to wind pressure.
Wind loading based on both gable and hip roof types.



COA #0 278
Florida Certificate of Product Approval #FL1999
10/01/2025

****WARNING** READ AND FOLLOW ALL NOTES ON THIS DRAWING!**
****IMPORTANT** FURNISH THIS DRAWING TO ALL CONTRACTORS INCLUDING THE INSTALLERS**
Trusses require extreme care in fabricating, handling, shipping, installing and bracing. Refer to and follow the latest edition of BCSI (Building Component Safety Information, by TPI and SBCA) for safety practices prior to performing these functions. Installers shall provide temporary bracing per BCSI. Unless noted otherwise, top chord shall have properly attached structural sheathing and bottom chord shall have a properly attached rigid ceiling. Locations shown for permanent lateral restraint of webs shall have continuous lateral restraint (CLR), installed with diagonal bracing installed on the CLR per BCSI sections B3, B7, or B10, as applicable. Apply plates to each face of truss and position as shown above and on the Joint Details, unless noted otherwise. Refer to drawings 160A-Z for standard plate positions. Refer to job's General Notes page for additional information.
Alpine, a division of ITW Building Components Group Inc. shall not be responsible for any deviation from this drawing, any failure to build the truss in conformance with ANSI/TPI 1, or for handling, shipping, installation and bracing of trusses. A seal on this drawing or cover page listing this drawing, indicates acceptance of professional engineering responsibility solely for the design shown. The suitability and use of this drawing for any structure is the responsibility of the Building Designer per ANSI/TPI 1 Sec.2.
For more information see these web sites: Alpine: alpineitw.com; TPI: tpinst.org; SBCA: sbcacomponents.com; ICC: iccsafe.org; AWC: awc.org





Loading Criteria (psf) TCLL: 20.00 TCDL: 7.00 BCLL: 0.00 BCDL: 10.00 Des Ld: 37.00 NCBCLL: 10.00 Soffit: 2.00 Load Duration: 1.25 Spacing: 24.0 "	Wind Criteria Wind Std: ASCE 7-22 Speed: 140 mph Enclosure: Closed Risk Category: II EXP: C Kzt: NA Mean Height: 16.54 ft TCDL: 4.0 psf BCDL: 5.0 psf MWFRS Parallel Dist: 0 to h/2 C&C Dist a: 3.00 ft Loc. from endwall: not in 9.00 ft GCp: 0.18 Wind Duration: 1.60	Snow Criteria (Pg,Pf in PSF) Pg: NA Ct: NA CAT: NA Pf: NA Ce: NA Lu: NA Cs: NA Snow Duration: NA Building Code: FBC 8th Ed. 2023 Res. TPI Std: 2014 Rep Fac: Varies by Ld Case FT/RT:20(0)/10(0) Plate Type(s): WAVE, HS	Defl/CSI Criteria PP Deflection in loc L/defl L/# VERT(LL): 0.021 D 999 360 VERT(CL): 0.027 D 999 240 HORZ(LL): 0.009 R - - HORZ(TL): 0.010 B - - Creep Factor: 2.0 Max TC CSI: 0.263 Max BC CSI: 0.370 Max Web CSI: 0.275 VIEW Ver: 24.02.00C.1213.15	▲ Maximum Reactions (lbs), or *=PLF Gravity Non-Gravity Loc R+ / R- / Rh / Rw / U / RL Q* 220 /- /- /- /41 /- P /-406 Wind reactions based on MWFRS Q Brg Wid = 284 Min Req = - Bearing Q is a rigid surface. Members not listed have forces less than 375# Maximum Top Chord Forces Per Ply (lbs) Chords Tens.Comp. Chords Tens. Comp. A - B 279 -768 F - G 253 -690 B - C 356 -993 G - H 397 -1130 C - D 454 -1314 H - I 353 -986 D - E 268 -737 I - J 241 -658 E - F 161 -446 Maximum Bot Chord Forces Per Ply (lbs) Chords Tens.Comp. Chords Tens. Comp. P - O 559 -200 N - M 709 -248 O - N 709 -248 M - L 518 -186 Maximum Web Forces Per Ply (lbs) Webs Tens.Comp. Webs Tens. Comp. A - Q 305 -833 M - H 153 -434 A - P 534 -190 I - L 209 -557 P - B 211 -565 L - J 591 -210 C - O 267 -763 J - K 314 -854
-------------------------------------------------------------------------------------------------------------------------------------------------------------------------------------	-----------------------------------------------------------------------------------------------------------------------------------------------------------------------------------------------------------------------------------------------------------------------------------------------------------------------	----------------------------------------------------------------------------------------------------------------------------------------------------------------------------------------------------------------------------------------------------------------------	-------------------------------------------------------------------------------------------------------------------------------------------------------------------------------------------------------------------------------------------------------------------------------------------------	-----------------------------------------------------------------------------------------------------------------------------------------------------------------------------------------------------------------------------------------------------------------------------------------------------------------------------------------------------------------------------------------------------------------------------------------------------------------------------------------------------------------------------------------------------------------------------------------------------------------------------------------------------------------------------------------------------------------------------------------------------------------------------------------------------------------------------------------------------------------------------------------------------------------------------------

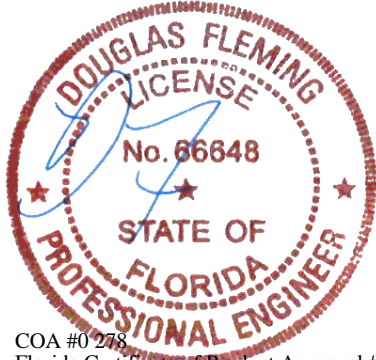
Lumber
Top chord: 2x4 SP #1; T2,T4 2x10 SP SS Dense;
Bot chord: 2x8 SP SS Dense; B2 2x4 SP #1;
Webs: 2x4 SP #3; W1,W13 2x6 SP #1; W5,
W9 2x4 SP #1;

Wind
Wind loads and reactions based on MWFRS.
End verticals not exposed to wind pressure.
Wind loading based on both gable and hip roof types.

Special Loads
-----(Lumber Dur.Fac.=1.25 / Plate Dur.Fac.=1.25)
TC: From 37 plf at 0.00 to 37 plf at 14.56
TC: From 60 plf at 0.00 to 60 plf at 23.67
TC: From 31 plf at 0.00 to 31 plf at 14.56
PLT: From 28 plf at 4.79 to 28 plf at 8.40
PLT: From 20 plf at 8.40 to 20 plf at 15.60
PLT: From 28 plf at 15.60 to 28 plf at 19.21
PLT: From 100 plf at 4.79 to 100 plf at 19.21
BC: From 20 plf at 0.00 to 20 plf at 23.67
BC: 91 lb Conc. Load at 4.79,19.21
BC: 280 lb Conc. Load at 14.56

Plating Notes
(l) - plates so marked were sized using 0% Fabrication Tolerance, 0 degrees Rotational Tolerance, and/or zero Positioning Tolerance.

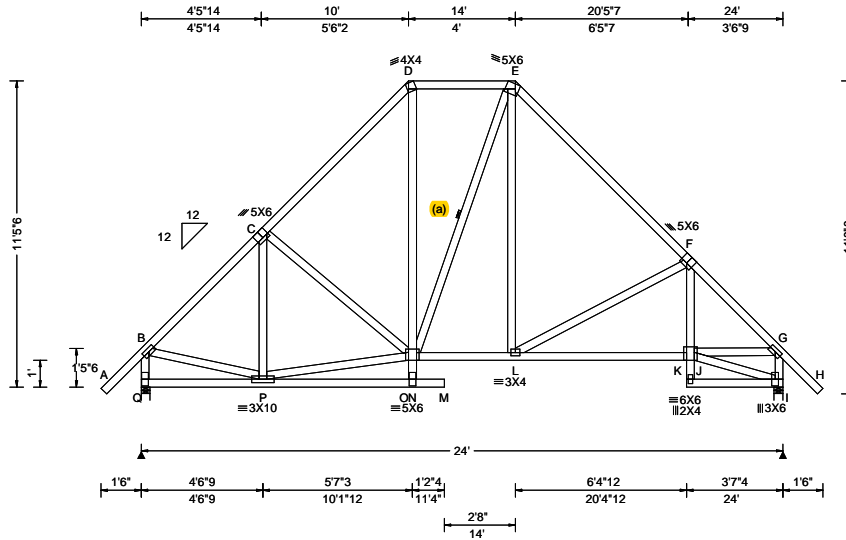
Purlins
In lieu of rigid ceiling use purlins to brace BC @ 24" oc.
Collar-tie braced with continuous lateral bracing at 24" oc. or rigid ceiling.



COA #0278
Florida Certificate of Product Approval #FL1999
10/01/2025

****WARNING** READ AND FOLLOW ALL NOTES ON THIS DRAWING!**
****IMPORTANT** FURNISH THIS DRAWING TO ALL CONTRACTORS INCLUDING THE INSTALLERS**
Trusses require extreme care in fabricating, handling, shipping, installing and bracing. Refer to and follow the latest edition of BCSI (Building Component Safety Information, by TPI and SBCA) for safety practices prior to performing these functions. Installers shall provide temporary bracing per BCSI. Unless noted otherwise, top chord shall have properly attached structural sheathing and bottom chord shall have a properly attached rigid ceiling. Locations shown for permanent lateral restraint of webs shall have continuous lateral restraint (CLR), installed with diagonal bracing installed on the CLR per BCSI sections B3, B7, or B10, as applicable. Apply plates to each face of truss and position as shown above and on the Joint Details, unless noted otherwise. Refer to drawings 160A-Z for standard plate positions. Refer to job's General Notes page for additional information.
Alpine, a division of ITW Building Components Group Inc. shall not be responsible for any deviation from this drawing, any failure to build the truss in conformance with ANSI/TPI 1, or for handling, shipping, installation and bracing of trusses. A seal on this drawing or cover page listing this drawing, indicates acceptance of professional engineering responsibility solely for the design shown. The suitability and use of this drawing for any structure is the responsibility of the Building Designer per ANSI/TPI 1 Sec.2.
For more information see these web sites: Alpine: alpineitw.com; TPI: tpinst.org; SBCA: sbcacomponents.com; ICC: iccsafe.org; AWC: awc.org





Loading Criteria (psf) TCLL: 20.00 TC DL: 7.00 BCLL: 0.00 BCDL: 10.00 Des Ld: 37.00 NCBCLL: 10.00 Soffit: 2.00 Load Duration: 1.25 Spacing: 24.0 "	Wind Criteria Wind Std: ASCE 7-22 Speed: 140 mph Enclosure: Closed Risk Category: II EXP: C Kzt: NA Mean Height: 15.79 ft TC DL: 4.0 psf BCDL: 5.0 psf MWFRS Parallel Dist: 0 to h/2 C&C Dist a: 3.00 ft Loc. from endwall: not in 4.50 ft GCpi: 0.18 Wind Duration: 1.60	Snow Criteria (Pg,Pf in PSF) Pg: NA Ct: NA CAT: NA Pf: NA Ce: NA Lu: NA Cs: NA Snow Duration: NA Building Code: FBC 8th Ed. 2023 Res. TPI Std: 2014 Rep Fac: Yes FT/RT:20(0)/10(0) Plate Type(s): WAVE	Defl/CSI Criteria PP Deflection in loc L/defl L/# VERT(LL): 0.028 L 999 360 VERT(CL): 0.053 L 999 240 HORZ(LL): 0.019 I - - HORZ(TL): 0.035 I - - Creep Factor: 2.0 Max TC CSI: 0.347 Max BC CSI: 0.337 Max Web CSI: 0.402 VIEW Ver: 24.02.00C.1213.15	▲ Maximum Reactions (lbs) <table style="width:100%; border-collapse: collapse;"> <thead> <tr> <th colspan="3">Gravity</th> <th colspan="3">Non-Gravity</th> </tr> <tr> <th>Loc</th> <th>R+ / R-</th> <th>/ Rh</th> <th>/ Rw</th> <th>/ U</th> <th>/ RL</th> </tr> </thead> <tbody> <tr> <td>Q</td> <td>1087</td> <td>- / -</td> <td>/ 539</td> <td>/ 253</td> <td>/ 431</td> </tr> <tr> <td>I</td> <td>1092</td> <td>- / -</td> <td>/ 537</td> <td>/ 254</td> <td>- / -</td> </tr> </tbody> </table> Wind reactions based on MWFRS Q Brg Wid = 4.0 Min Req = 1.5 (Truss) I Brg Wid = 4.0 Min Req = 1.5 (Truss) Bearings Q & I are a rigid surface. Members not listed have forces less than 375# Maximum Top Chord Forces Per Ply (lbs) <table style="width:100%; border-collapse: collapse;"> <thead> <tr> <th>Chords</th> <th>Tens.Comp.</th> <th>Chords</th> <th>Tens. Comp.</th> </tr> </thead> <tbody> <tr> <td>B - C</td> <td>275 - 1045</td> <td>E - F</td> <td>320 - 1005</td> </tr> <tr> <td>C - D</td> <td>340 - 969</td> <td>F - G</td> <td>313 - 1329</td> </tr> <tr> <td>D - E</td> <td>336 - 604</td> <td></td> <td></td> </tr> </tbody> </table>	Gravity			Non-Gravity			Loc	R+ / R-	/ Rh	/ Rw	/ U	/ RL	Q	1087	- / -	/ 539	/ 253	/ 431	I	1092	- / -	/ 537	/ 254	- / -	Chords	Tens.Comp.	Chords	Tens. Comp.	B - C	275 - 1045	E - F	320 - 1005	C - D	340 - 969	F - G	313 - 1329	D - E	336 - 604		
Gravity			Non-Gravity																																									
Loc	R+ / R-	/ Rh	/ Rw	/ U	/ RL																																							
Q	1087	- / -	/ 539	/ 253	/ 431																																							
I	1092	- / -	/ 537	/ 254	- / -																																							
Chords	Tens.Comp.	Chords	Tens. Comp.																																									
B - C	275 - 1045	E - F	320 - 1005																																									
C - D	340 - 969	F - G	313 - 1329																																									
D - E	336 - 604																																											

Lumber

Top chord: 2x4 SP #1;
 Bot chord: 2x4 SP #1;
 Webs: 2x4 SP #3;

Bracing

(a) Continuous lateral restraint equally spaced on member. Or 2x4 #3 or better "T" reinforcement. 80% length of web member. Attached with 10d Box or Gun (0.128"x3",min.)nails @ 6" oc.

Plating Notes

All plates are 3X6 except as noted.

Loading

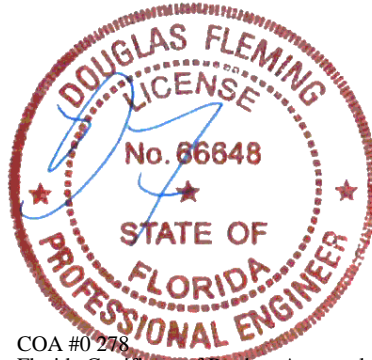
Truss passed check for 20 psf additional bottom chord live load in areas with 42"-high x 24"-wide clearance.

Wind

Wind loads based on MWFRS with additional C&C member design.

End verticals not exposed to wind pressure.

Wind loading based on both gable and hip roof types.

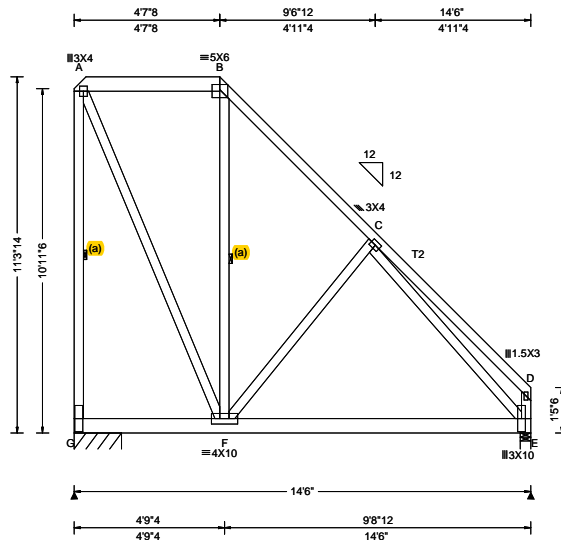


COA #0 278
 Florida Certificate of Product Approval #FL1999
 10/01/2025

****WARNING** READ AND FOLLOW ALL NOTES ON THIS DRAWING!**
****IMPORTANT** FURNISH THIS DRAWING TO ALL CONTRACTORS INCLUDING THE INSTALLERS**
 Trusses require extreme care in fabricating, handling, shipping, installing and bracing. Refer to and follow the latest edition of BCSI (Building Component Safety Information, by TPI and SBCA) for safety practices prior to performing these functions. Installers shall provide temporary bracing per BCSI. Unless noted otherwise, top chord shall have properly attached structural sheathing and bottom chord shall have a properly attached rigid ceiling. Locations shown for permanent lateral restraint of webs shall have continuous lateral restraint (CLR), installed with diagonal bracing installed on the CLR per BCSI sections B3, B7, or B10, as applicable. Apply plates to each face of truss and position as shown above and on the Joint Details, unless noted otherwise. Refer to drawings 160A-Z for standard plate positions. Refer to job's General Notes page for additional information.
 Alpine, a division of ITW Building Components Group Inc. shall not be responsible for any deviation from this drawing, any failure to build the truss in conformance with ANSI/TPI 1, or for handling, shipping, installation and bracing of trusses. A seal on this drawing or cover page listing this drawing, indicates acceptance of professional engineering responsibility solely for the design shown. The suitability and use of this drawing for any structure is the responsibility of the Building Designer per ANSI/TPI 1 Sec.2.
 For more information see these web sites: Alpine: alpineitw.com; TPI: tpinst.org; SBCA: sbccomponents.com; ICC: iccsafe.org; AWC: awc.org



SEQN: 69516 FROM: SDY	COMN Ply: 1 Qty: 1	Job Number: B61790R Gardner Residence Truss Label: B10	Cust: R 857 JRRef: 1YdU8570005 T37 DrwNo: 273.25.1542.26167 SSB / DF 09/30/2025
--------------------------	--------------------------	--------------------------------------------------------------	---------------------------------------------------------------------------------------



Loading Criteria (psf) TCLL: 20.00 TCDL: 7.00 BCLL: 0.00 BCDL: 10.00 Des Ld: 37.00 NCBCLL: 10.00 Soffit: 2.00 Load Duration: 1.25 Spacing: 24.0 "	Wind Criteria Wind Std: ASCE 7-22 Speed: 140 mph Enclosure: Closed Risk Category: II EXP: C Kzt: NA Mean Height: 16.54 ft TCDL: 4.0 psf BCDL: 5.0 psf MWFRS Parallel Dist: 0 to h/2 C&C Dist a: 3.00 ft Loc. from endwall: not in 9.00 ft GCp: 0.18 Wind Duration: 1.60	Snow Criteria (Pg,Pf in PSF) Pg: NA Ct: NA CAT: NA Pf: NA Ce: NA Lu: NA Cs: NA Snow Duration: NA Building Code: FBC 8th Ed. 2023 Res. TPI Std: 2014 Rep Fac: Varies by Ld Case FT/RT:20(0)/10(0) Plate Type(s): WAVE	Defl/CSI Criteria PP Deflection in loc L/defl L/# VERT(LL): 0.014 B 999 360 VERT(CL): 0.028 B 999 240 HORZ(LL): 0.005 D - - HORZ(TL): 0.011 D - - Creep Factor: 2.0 Max TC CSI: 0.240 Max BC CSI: 0.273 Max Web CSI: 0.834 VIEW Ver: 24.02.00C.1213.15	▲ Maximum Reactions (lbs), or *=PLF Gravity Non-Gravity Loc R+ / R- / Rh / Rw / U / RL G* 532 /- /- /- /186 /- E 697 /- /- /- /225 /- Wind reactions based on MWFRS G Brg Wid = 18.0 Min Req = - E Brg Wid = 4.0 Min Req = 1.5 (Truss) Bearings G & E are a rigid surface. Members not listed have forces less than 375# Maximum Top Chord Forces Per Ply (lbs) Chords Tens.Comp. B - C 200 -533
-------------------------------------------------------------------------------------------------------------------------------------------------------------------------------------	-----------------------------------------------------------------------------------------------------------------------------------------------------------------------------------------------------------------------------------------------------------------------------------------------------------------------	------------------------------------------------------------------------------------------------------------------------------------------------------------------------------------------------------------------------------------------------------------------	-------------------------------------------------------------------------------------------------------------------------------------------------------------------------------------------------------------------------------------------------------------------------------------------------	----------------------------------------------------------------------------------------------------------------------------------------------------------------------------------------------------------------------------------------------------------------------------------------------------------------------------------------------------------------------------------------------------------------------------------------------------

Lumber

Top chord: 2x6 SP #1; T2 2x4 SP #1;
Bot chord: 2x6 SP #1;
Webs: 2x4 SP #3;

Bracing

(a) Continuous lateral restraint equally spaced on member. Or 2x4 #3 or better "T" reinforcement. 80% length of web member. Attached with 10d Box or Gun (0.128"x3", min.)nails @ 6" oc.

Special Loads

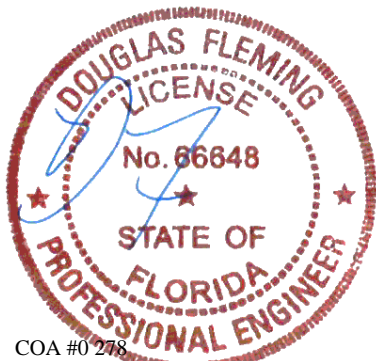
----(Lumber Dur.Fac.=1.25 / Plate Dur.Fac.=1.25)
TC: From 54 plf at 0.00 to 54 plf at 0.38
TC: From 60 plf at 0.38 to 60 plf at 14.50
BC: From 20 plf at 0.00 to 20 plf at 14.50
BC: 341 lb Conc. Load at 5.06

Plating Notes

All plates are 3X10 except as noted.

Wind

Wind loads and reactions based on MWFRS.
End verticals not exposed to wind pressure.
Wind loading based on both gable and hip roof types.

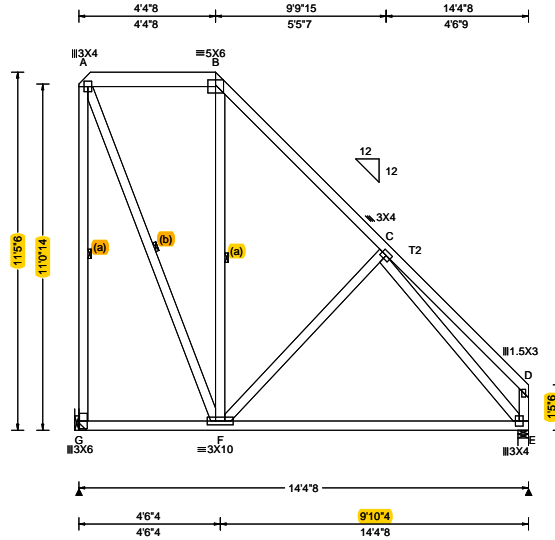


COA #0 278
Florida Certificate of Product Approval #FL1999
10/01/2025

****WARNING** READ AND FOLLOW ALL NOTES ON THIS DRAWING!**
****IMPORTANT** FURNISH THIS DRAWING TO ALL CONTRACTORS INCLUDING THE INSTALLERS**
Trusses require extreme care in fabricating, handling, shipping, installing and bracing. Refer to and follow the latest edition of BCSI (Building Component Safety Information, by TPI and SBCA) for safety practices prior to performing these functions. Installers shall provide temporary bracing per BCSI. Unless noted otherwise, top chord shall have properly attached structural sheathing and bottom chord shall have a properly attached rigid ceiling. Locations shown for permanent lateral restraint of webs shall have continuous lateral restraint (CLR), installed with diagonal bracing installed on the CLR per BCSI sections B3, B7, or B10, as applicable. Apply plates to each face of truss and position as shown above and on the Joint Details, unless noted otherwise. Refer to drawings 160A-Z for standard plate positions. Refer to job's General Notes page for additional information.
Alpine, a division of ITW Building Components Group Inc. shall not be responsible for any deviation from this drawing, any failure to build the truss in conformance with ANSI/TPI 1, or for handling, shipping, installation and bracing of trusses. A seal on this drawing or cover page listing this drawing, indicates acceptance of professional engineering responsibility solely for the design shown. The suitability and use of this drawing for any structure is the responsibility of the Building Designer per ANSI/TPI 1 Sec.2.
For more information see these web sites: Alpine: alpineitw.com; TPI: tpinst.org; SBCA: sbcacomponents.com; ICC: iccsafe.org; AWC: awc.org



SEQN: 69489 FROM: SDY	COMN Ply: 1 Qty: 1	Job Number: B61790R Gardner Residence Truss Label: B11	Cust: R 857 JRRef: 1YdU8570005 T40 DrwNo: 273.25.1542.27400 SSB / DF 09/30/2025
--------------------------	--------------------------	--------------------------------------------------------------	---------------------------------------------------------------------------------------



Loading Criteria (psf) TCCL: 20.00 TCCL: 7.00 BCLL: 0.00 BCDL: 10.00 Des Ld: 37.00 NCBCLL: 10.00 Soffit: 2.00 Load Duration: 1.25 Spacing: 24.0 "	Wind Criteria Wind Std: ASCE 7-22 Speed: 140 mph Enclosure: Closed Risk Category: II EXP: C Kzt: NA Mean Height: 16.54 ft TCCL: 4.0 psf BCDL: 5.0 psf MWFRS Parallel Dist: h to 2h C&C Dist a: 3.00 ft Loc. from endwall: not in 9.00 ft GCp: 0.18 Wind Duration: 1.60	Snow Criteria (Pg,Pf in PSF) Pg: NA Ct: NA CAT: NA Pf: NA Ce: NA Lu: NA Cs: NA Snow Duration: NA Building Code: FBC 8th Ed. 2023 Res. TPI Std: 2014 Rep Fac: Yes FT/RT:20(0)/10(0) Plate Type(s): WAVE	Defl/CSI Criteria PP Deflection in loc L/defl L/# VERT(LL): 0.011 B 999 360 VERT(CL): 0.022 B 999 240 HORZ(LL): 0.004 D - - HORZ(TL): 0.012 B - - Creep Factor: 2.0 Max TC CSI: 0.259 Max BC CSI: 0.601 Max Web CSI: 0.854 VIEW Ver: 24.02.00C.1213.15	▲ Maximum Reactions (lbs) Gravity Non-Gravity Loc R+ / R- / Rh / Rw / U / RL G 571 /- /- /438 /244 /303 E 574 /- /- /333 /- /- Wind reactions based on MWFRS G Brg Wid = - Min Req = - E Brg Wid = 4.0 Min Req = 1.5 (Truss) Bearing E is a rigid surface. Members not listed have forces less than 375# Maximum Top Chord Forces Per Ply (lbs) Chords Tens.Comp. B - C 107 -384
				Lumber Top chord: 2x6 SP #1; T2 2x4 SP #1; Bot chord: 2x4 SP #1; Webs: 2x4 SP #3;

Bracing

(b) Continuous lateral restraint equally spaced on member. Or 1x4 #3SRB SPF-S or better "T" reinforcement. 80% length of web member. Attached with 8d Box or Gun (0.113"x2.5",min.)nails @ 6" oc.

(a) Continuous lateral restraint equally spaced on member. Or 2x4 #3 or better "T" reinforcement. 80% length of web member. Attached with 10d Box or Gun (0.128"x3",min.)nails @ 6" oc.

Hangers / Ties

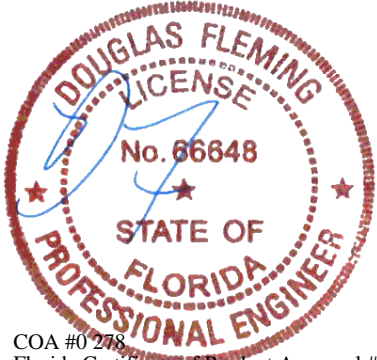
(J) Hanger Support Required, by others

Purlins

In lieu of rigid ceiling use purlins to brace BC @ 24" oc.

Wind

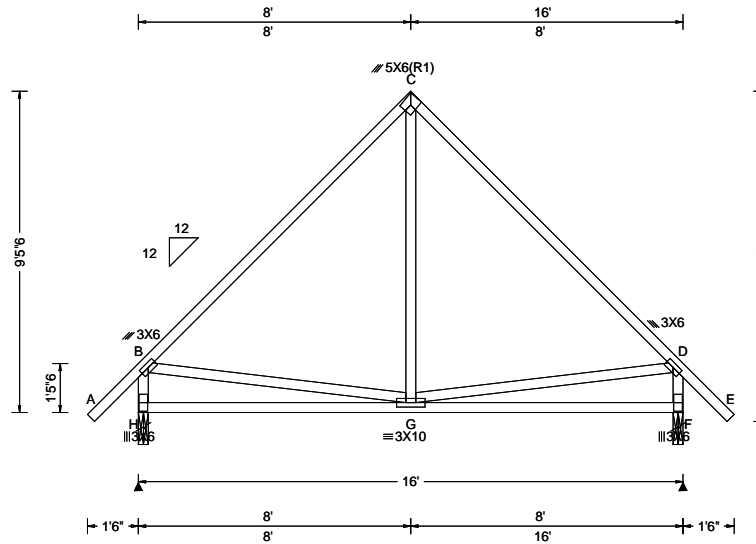
Wind loads based on MWFRS with additional C&C member design.
 End verticals not exposed to wind pressure.
 Wind loading based on both gable and hip roof types.



COA #0 278
 Florida Certificate of Product Approval #FL1999
 10/01/2025

****WARNING** READ AND FOLLOW ALL NOTES ON THIS DRAWING!**
****IMPORTANT** FURNISH THIS DRAWING TO ALL CONTRACTORS INCLUDING THE INSTALLERS**
 Trusses require extreme care in fabricating, handling, shipping, installing and bracing. Refer to and follow the latest edition of BCSI (Building Component Safety Information, by TPI and SBCA) for safety practices prior to performing these functions. Installers shall provide temporary bracing per BCSI. Unless noted otherwise, top chord shall have properly attached structural sheathing and bottom chord shall have a properly attached rigid ceiling. Locations shown for permanent lateral restraint of webs shall have continuous lateral restraint (CLR), installed with diagonal bracing installed on the CLR per BCSI sections B3, B7, or B10, as applicable. Apply plates to each face of truss and position as shown above and on the Joint Details, unless noted otherwise. Refer to drawings 160A-Z for standard plate positions. Refer to job's General Notes page for additional information.
 Alpine, a division of ITW Building Components Group Inc. shall not be responsible for any deviation from this drawing, any failure to build the truss in conformance with ANSI/TPI 1, or for handling, shipping, installation and bracing of trusses. A seal on this drawing or cover page listing this drawing, indicates acceptance of professional engineering responsibility solely for the design shown. The suitability and use of this drawing for any structure is the responsibility of the Building Designer per ANSI/TPI 1 Sec.2.
 For more information see these web sites: Alpine: alpineitw.com; TPI: tpinst.org; SBCA: sbcacomponents.com; ICC: iccsafe.org; AWC: awc.org





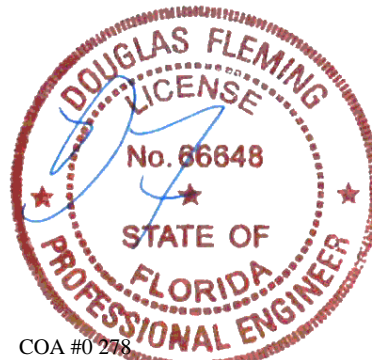
Loading Criteria (psf) TCLL: 20.00 TCDL: 7.00 BCLL: 0.00 BCDL: 10.00 Des Ld: 37.00 NCBCLL: 10.00 Soffit: 2.00 Load Duration: 1.25 Spacing: 24.0 "	Wind Criteria Wind Std: ASCE 7-22 Speed: 140 mph Enclosure: Closed Risk Category: II EXP: C Kzt: NA Mean Height: 15.00 ft TCDL: 4.0 psf BCDL: 5.0 psf MWFRS Parallel Dist: 0 to h/2 C&C Dist a: 3.00 ft Loc. from endwall: not in 4.50 ft GCp: 0.18 Wind Duration: 1.60	Snow Criteria (Pg,Pf in PSF) Pg: NA Ct: NA CAT: NA Pf: NA Ce: NA Lu: NA Cs: NA Snow Duration: NA Building Code: FBC 8th Ed. 2023 Res. TPI Std: 2014 Rep Fac: Yes FT/RT:20(0)/10(0) Plate Type(s): WAVE	Defl/CSI Criteria PP Deflection in loc L/defl L/# VERT(LL): 0.007 G 999 360 VERT(CL): 0.014 G 999 240 HORZ(LL): 0.001 D - - HORZ(TL): 0.007 C - - Creep Factor: 2.0 Max TC CSI: 0.345 Max BC CSI: 0.430 Max Web CSI: 0.284 VIEW Ver: 24.02.00C.1213.15	▲ Maximum Reactions (lbs) Gravity Non-Gravity Loc R+ / R- / Rh / Rw / U / RL H 730 /- /- /367 /189 /304 F 730 /- /- /367 /189 /- Wind reactions based on MWFRS H Brg Wid = 3.5 Min Req = 1.5 (Truss) F Brg Wid = 3.5 Min Req = 1.5 (Truss) Bearings H & F are a rigid surface. Members not listed have forces less than 375# Maximum Top Chord Forces Per Ply (lbs) Chords Tens.Comp. Chords Tens. Comp. B - C 222 -615 C - D 222 -615 Maximum Bot Chord Forces Per Ply (lbs) Chords Tens.Comp. H - G 406 -358 Maximum Web Forces Per Ply (lbs) Webs Tens.Comp. Webs Tens. Comp. B - H 325 -666 D - F 325 -666 G - D 376 -116
-------------------------------------------------------------------------------------------------------------------------------------------------------------------------------------	-----------------------------------------------------------------------------------------------------------------------------------------------------------------------------------------------------------------------------------------------------------------------------------------------------------------------	----------------------------------------------------------------------------------------------------------------------------------------------------------------------------------------------------------------------------------------------------	-------------------------------------------------------------------------------------------------------------------------------------------------------------------------------------------------------------------------------------------------------------------------------------------------	----------------------------------------------------------------------------------------------------------------------------------------------------------------------------------------------------------------------------------------------------------------------------------------------------------------------------------------------------------------------------------------------------------------------------------------------------------------------------------------------------------------------------------------------------------------------------------------------------------------------------------------------------------------------------------------------------------------------------

Lumber

Top chord: 2x4 SP SS Dense;
Bot chord: 2x4 SP #1;
Webs: 2x4 SP #3;

Wind

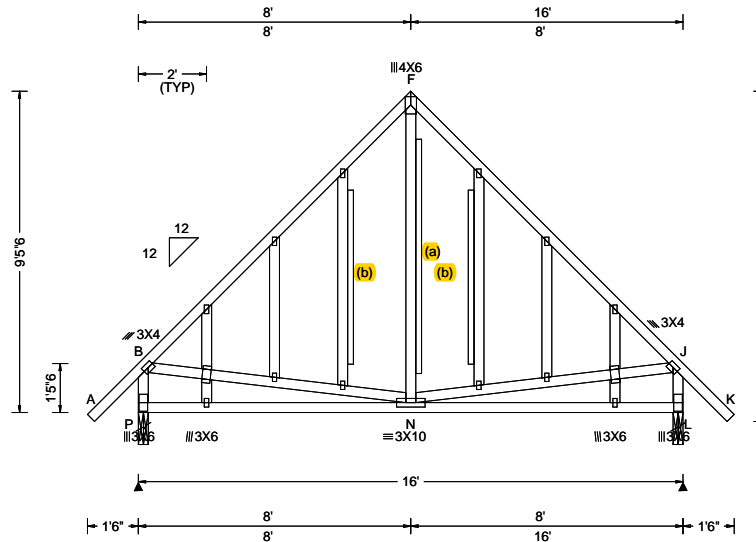
Wind loads based on MWFRS with additional C&C member design.
End verticals not exposed to wind pressure.
Wind loading based on both gable and hip roof types.



COA #0278
Florida Certificate of Product Approval #FL1999
10/01/2025

****WARNING** READ AND FOLLOW ALL NOTES ON THIS DRAWING!**
****IMPORTANT** FURNISH THIS DRAWING TO ALL CONTRACTORS INCLUDING THE INSTALLERS**
Trusses require extreme care in fabricating, handling, shipping, installing and bracing. Refer to and follow the latest edition of BCSI (Building Component Safety Information, by TPI and SBCA) for safety practices prior to performing these functions. Installers shall provide temporary bracing per BCSI. Unless noted otherwise, top chord shall have properly attached structural sheathing and bottom chord shall have a properly attached rigid ceiling. Locations shown for permanent lateral restraint of webs shall have continuous lateral restraint (CLR), installed with diagonal bracing installed on the CLR per BCSI sections B3, B7, or B10, as applicable. Apply plates to each face of truss and position as shown above and on the Joint Details, unless noted otherwise. Refer to drawings 160A-Z for standard plate positions. Refer to job's General Notes page for additional information.
Alpine, a division of ITW Building Components Group Inc. shall not be responsible for any deviation from this drawing, any failure to build the truss in conformance with ANSI/TPI 1, or for handling, shipping, installation and bracing of trusses. A seal on this drawing or cover page listing this drawing, indicates acceptance of professional engineering responsibility solely for the design shown. The suitability and use of this drawing for any structure is the responsibility of the Building Designer per ANSI/TPI 1 Sec.2.
For more information see these web sites: Alpine: alpineitw.com; TPI: tpinst.org; SBCA: sbcacomponents.com; ICC: iccsafe.org; AWC: awc.org





Loading Criteria (psf) TCLL: 20.00 TCDL: 7.00 BCLL: 0.00 BCDL: 10.00 Des Ld: 37.00 NCBCLL: 10.00 Soffit: 2.00 Load Duration: 1.25 Spacing: 24.0 "	Wind Criteria Wind Std: ASCE 7-22 Speed: 140 mph Enclosure: Closed Risk Category: II EXP: C Kzt: NA Mean Height: 15.00 ft TCDL: 4.0 psf BCDL: 5.0 psf MWFRS Parallel Dist: 0 to h/2 C&C Dist a: 3.00 ft Loc. from endwall: not in 4.50 ft GCp: 0.18 Wind Duration: 1.60	Snow Criteria (Pg,Pf in PSF) Pg: NA Ct: NA CAT: NA Pf: NA Ce: NA Lu: NA Cs: NA Snow Duration: NA Building Code: FBC 8th Ed. 2023 Res. TPI Std: 2014 Rep Fac: Yes FT/RT:20(0)/10(0) Plate Type(s): WAVE	Defl/CSI Criteria PP Deflection in loc L/defl L/# VERT(LL): 0.128 D 999 360 VERT(CL): 0.231 D 760 240 HORZ(LL): 0.122 D - - HORZ(TL): 0.236 D - - Creep Factor: 2.0 Max TC CSI: 0.206 Max BC CSI: 0.433 Max Web CSI: 0.921 VIEW Ver: 24.02.00C.1213.15	▲ Maximum Reactions (lbs) Gravity Non-Gravity Loc R+ / R- / Rh / Rw / U / RL P 730 /- /- /367 /189 /304 L 730 /- /- /367 /189 /- Wind reactions based on MWFRS P Brg Wid = 3.5 Min Req = 1.5 (Truss) L Brg Wid = 3.5 Min Req = 1.5 (Truss) Bearings P & L are a rigid surface. Members not listed have forces less than 375# Maximum Top Chord Forces Per Ply (lbs) Chords Tens.Comp. Chords Tens. Comp. B - F 279 -560 F - J 279 -560 Maximum Bot Chord Forces Per Ply (lbs) Chords Tens.Comp. P - N 377 -337 Maximum Web Forces Per Ply (lbs) Webs Tens.Comp. Webs Tens. Comp. B - P 220 -623 J - L 220 -623
-------------------------------------------------------------------------------------------------------------------------------------------------------------------------------------	-----------------------------------------------------------------------------------------------------------------------------------------------------------------------------------------------------------------------------------------------------------------------------------------------------------------------	----------------------------------------------------------------------------------------------------------------------------------------------------------------------------------------------------------------------------------------------------	-------------------------------------------------------------------------------------------------------------------------------------------------------------------------------------------------------------------------------------------------------------------------------------------------	----------------------------------------------------------------------------------------------------------------------------------------------------------------------------------------------------------------------------------------------------------------------------------------------------------------------------------------------------------------------------------------------------------------------------------------------------------------------------------------------------------------------------------------------------------------------------------------------------------------------------------------------------------------------------------------------------------

Lumber
Top chord: 2x4 SP SS Dense;
Bot chord: 2x4 SP #1;
Webs: 2x4 SP #3;

Plating Notes
All plates are 1.5X3 except as noted.

Loading
Gable end supports 8" max rake overhang. Top chord must not be cut or notched.

Wind
Wind loads based on MWFRS with additional C&C member design.
End verticals not exposed to wind pressure.
Wind loading based on both gable and hip roof types.
Gable meets L/120 deflection criteria for wind load applied to face. Calculated deflection ratio is L/237.

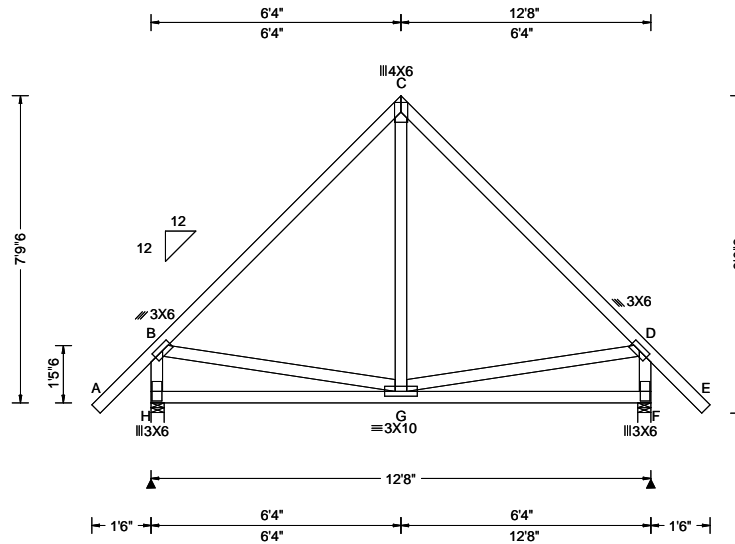
Gable Reinforcement
(a) 2x6 "L" reinforcement. Same species and grade as web. 80% length of web member. Attach with 10d (0.131"x3",min.) nails @ 2" oc at each end for the first 18" and then 4" oc for the remainder.
(b) 2x6 "L" reinforcement. Any species and grade. 80% length of web member. Attach with 10d (0.131"x3",min.) nails @ 2" oc at each end for the first 18" and then 4" oc for the remainder.

Additional Notes
Exposed portion of gable face shall be reinforced with sheathing and the wind pressures shall be transferred into lateral diaphragms. Connections and designs for diaphragms is the responsibility of the Building Designer in accordance with ANSI/TPI 1.

COA #0 278
Florida Certificate of Product Approval #FL1999
10/01/2025

****WARNING** READ AND FOLLOW ALL NOTES ON THIS DRAWING!**
****IMPORTANT** FURNISH THIS DRAWING TO ALL CONTRACTORS INCLUDING THE INSTALLERS**
Trusses require extreme care in fabricating, handling, shipping, installing and bracing. Refer to and follow the latest edition of BCSI (Building Component Safety Information, by TPI and SBCA) for safety practices prior to performing these functions. Installers shall provide temporary bracing per BCSI. Unless noted otherwise, top chord shall have properly attached structural sheathing and bottom chord shall have a properly attached rigid ceiling. Locations shown for permanent lateral restraint of webs shall have continuous lateral restraint (CLR), installed with diagonal bracing installed on the CLR per BCSI sections B3, B7, or B10, as applicable. Apply plates to each face of truss and position as shown above and on the Joint Details, unless noted otherwise. Refer to drawings 160A-Z for standard plate positions. Refer to job's General Notes page for additional information.
Alpine, a division of ITW Building Components Group Inc. shall not be responsible for any deviation from this drawing, any failure to build the truss in conformance with ANSI/TPI 1, or for handling, shipping, installation and bracing of trusses. A seal on this drawing or cover page listing this drawing, indicates acceptance of professional engineering responsibility solely for the design shown. The suitability and use of this drawing for any structure is the responsibility of the Building Designer per ANSI/TPI 1 Sec.2.
For more information see these web sites: Alpine: alpineitw.com; TPI: tpinst.org; SBCA: sbccomponents.com; ICC: iccsafe.org; AWC: awc.org

155 Harlem Ave
 North Building, 4th Floor
 Glenview, IL 60025



Loading Criteria (psf)	Wind Criteria	Snow Criteria (Pg,Pf in PSF)	Defl/CSI Criteria	▲ Maximum Reactions (lbs)
TCLL: 20.00 TCDL: 7.00 BCLL: 0.00 BCDL: 10.00 Des Ld: 37.00 NCBCLL: 10.00 Soffit: 2.00 Load Duration: 1.25 Spacing: 24.0 "	Wind Std: ASCE 7-22 Speed: 140 mph Enclosure: Closed Risk Category: II EXP: C Kzt: NA Mean Height: 15.00 ft TCDL: 4.0 psf BCDL: 5.0 psf MWFRS Parallel Dist: 0 to h/2 C&C Dist a: 3.00 ft Loc. from endwall: Any GCp: 0.18 Wind Duration: 1.60	Pg: NA Ct: NA CAT: NA Pf: NA Ce: NA Lu: NA Cs: NA Snow Duration: NA Building Code: FBC 8th Ed. 2023 Res. TPI Std: 2014 Rep Fac: Yes FT/RT:20(0)/10(0) Plate Type(s): WAVE	PP Deflection in loc L/defl L/# VERT(LL): 0.005 G 999 360 VERT(CL): 0.009 G 999 240 HORZ(LL): 0.001 D - - HORZ(TL): 0.005 C - - Creep Factor: 2.0 Max TC CSI: 0.571 Max BC CSI: 0.264 Max Web CSI: 0.299 VIEW Ver: 24.02.00C.1213.15	Gravity Non-Gravity Loc R+ /R- /Rh /Rw /U /RL H 597 /- /- /294 /156 /242 F 597 /- /- /294 /156 /- Wind reactions based on MWFRS H Brg Wid = 4.0 Min Req = 1.5 (Truss) F Brg Wid = 4.0 Min Req = 1.5 (Truss) Bearings H & F are a rigid surface. Members not listed have forces less than 375# Maximum Top Chord Forces Per Ply (lbs) Chords Tens.Comp. Chords Tens. Comp. B - C 314 -472 C - D 314 -472

Lumber

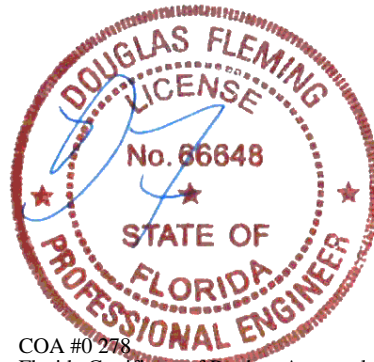
Top chord: 2x4 SP #1;
Bot chord: 2x4 SP #1;
Webs: 2x4 SP #3;

Wind

Wind loads based on MWFRS with additional C&C member design.
End verticals not exposed to wind pressure.
Wind loading based on both gable and hip roof types.

Maximum Web Forces Per Ply (lbs)

Webs		Tens.Comp.	
B - H	491	-546	D - F 491 -546

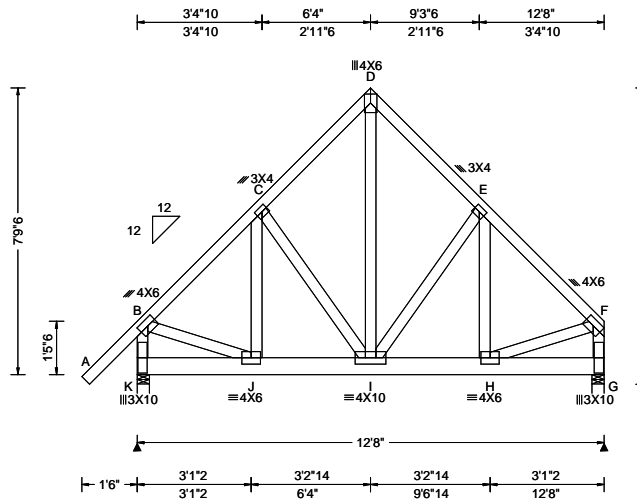


COA #0 278
Florida Certificate of Product Approval #FL1999
10/01/2025

****WARNING** READ AND FOLLOW ALL NOTES ON THIS DRAWING!**
****IMPORTANT** FURNISH THIS DRAWING TO ALL CONTRACTORS INCLUDING THE INSTALLERS**
Trusses require extreme care in fabricating, handling, shipping, installing and bracing. Refer to and follow the latest edition of BCSI (Building Component Safety Information, by TPI and SBCA) for safety practices prior to performing these functions. Installers shall provide temporary bracing per BCSI. Unless noted otherwise, top chord shall have properly attached structural sheathing and bottom chord shall have a properly attached rigid ceiling. Locations shown for permanent lateral restraint of webs shall have continuous lateral restraint (CLR), installed with diagonal bracing installed on the CLR per BCSI sections B3, B7, or B10, as applicable. Apply plates to each face of truss and position as shown above and on the Joint Details, unless noted otherwise. Refer to drawings 160A-Z for standard plate positions. Refer to job's General Notes page for additional information.
Alpine, a division of ITW Building Components Group Inc. shall not be responsible for any deviation from this drawing, any failure to build the truss in conformance with ANSI/TPI 1, or for handling, shipping, installation and bracing of trusses. A seal on this drawing or cover page listing this drawing, indicates acceptance of professional engineering responsibility solely for the design shown. The suitability and use of this drawing for any structure is the responsibility of the Building Designer per ANSI/TPI 1 Sec.2.
For more information see these web sites: Alpine: alpineitw.com; TPI: tpinst.org; SBCA: sbccomponents.com; ICC: iccsafe.org; AWC: awc.org



2 Complete Trusses Required



Loading Criteria (psf) TCLL: 20.00 TCDL: 7.00 BCLL: 0.00 BCDL: 10.00 Des Ld: 37.00 NCBCLL: 0.00 Soffit: 2.00 Load Duration: 1.25 Spacing: 24.0 "	Wind Criteria Wind Std: ASCE 7-22 Speed: 140 mph Enclosure: Closed Risk Category: II EXP: C Kzt: NA Mean Height: 15.00 ft TCDL: 4.0 psf BCDL: 5.0 psf MWFRS Parallel Dist: 0 to h/2 C&C Dist a: 3.00 ft Loc. from endwall: not in 9.00 ft GCp: 0.18 Wind Duration: 1.60	Snow Criteria (Pg,Pf in PSF) Pg: NA Ct: NA CAT: NA Pf: NA Ce: NA Lu: NA Cs: NA Snow Duration: NA Building Code: FBC 8th Ed. 2023 Res. TPI Std: 2014 Rep Fac: Varies by Ld Case FT/RT:20(0)/10(0) Plate Type(s): WAVE	Defl/CSI Criteria PP Deflection in loc L/defl L/# VERT(LL): 0.052 I 999 360 VERT(CL): 0.053 I 999 240 HORZ(LL): 0.026 C - - HORZ(TL): 0.027 C - - Creep Factor: 2.0 Max TC CSI: 0.113 Max BC CSI: 0.362 Max Web CSI: 0.686 VIEW Ver: 24.02.00C.1213.15	▲ Maximum Reactions (lbs) Gravity Non-Gravity Loc R+ / R- / Rh / Rw / U / RL K 3810 /- /- /- /922 /- G 4211 /- /- /- /794 /- Wind reactions based on MWFRS K Brg Wid = 4.0 Min Req = 2.2 (Truss) G Brg Wid = 4.0 Min Req = 2.5 (Truss) Bearings K & G are a rigid surface. Members not listed have forces less than 375# Maximum Top Chord Forces Per Ply (lbs) Chords Tens.Comp. Chords Tens. Comp. B - C 428 - 1807 D - E 324 - 1382 C - D 324 - 1380 E - F 377 - 1768
------------------------------------------------------------------------------------------------------------------------------------------------------------------------------------	-----------------------------------------------------------------------------------------------------------------------------------------------------------------------------------------------------------------------------------------------------------------------------------------------------------------------	------------------------------------------------------------------------------------------------------------------------------------------------------------------------------------------------------------------------------------------------------------------	-------------------------------------------------------------------------------------------------------------------------------------------------------------------------------------------------------------------------------------------------------------------------------------------------	-------------------------------------------------------------------------------------------------------------------------------------------------------------------------------------------------------------------------------------------------------------------------------------------------------------------------------------------------------------------------------------------------------------------------------------------------------------------------------------------------------------------------------

Lumber

Top chord: 2x4 SP #1;
Bot chord: 2x6 SP #1;
Webs: 2x4 SP #3;

Nailnote

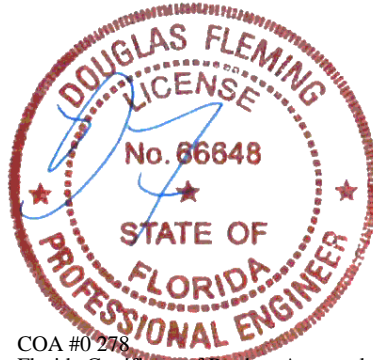
Nail Schedule: 0.128"x3", min. nails
Top Chord: 1 Row @ 12.00" o.c.
Bot Chord: 2 Rows @ 5.50" o.c. (Each Row)
Webs : 1 Row @ 4" o.c.
Use equal spacing between rows and stagger nails in each row to avoid splitting.

Special Loads

----- (Lumber Dur.Fac.=1.25 / Plate Dur.Fac.=1.25)
TC: From 60 plf at -1.50 to 60 plf at 12.67
BC: From 6 plf at -1.50 to 6 plf at 0.00
BC: From 10 plf at 0.00 to 10 plf at 12.67
BC: 1256 lb Conc. Load at 2.06, 4.06, 6.06, 8.06
BC: 1012 lb Conc. Load at 10.06, 12.06

Wind

Wind loads and reactions based on MWFRS.
End verticals not exposed to wind pressure.
Wind loading based on both gable and hip roof types.

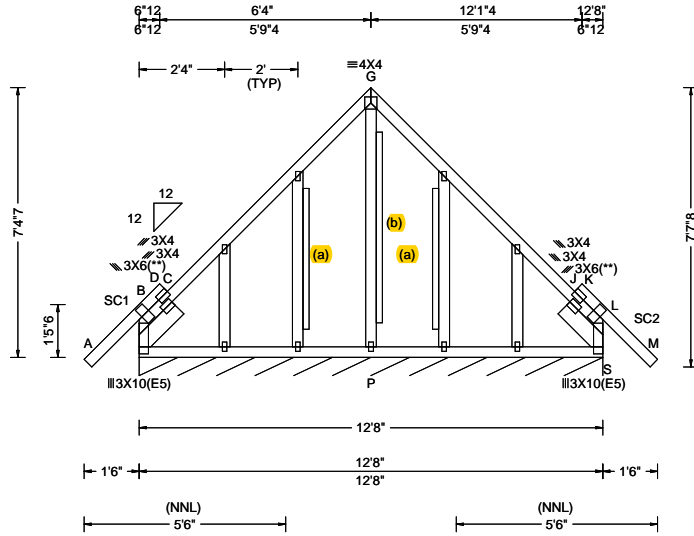


COA #0 278
Florida Certificate of Product Approval #FL1999
10/01/2025

****WARNING** READ AND FOLLOW ALL NOTES ON THIS DRAWING!**
****IMPORTANT** FURNISH THIS DRAWING TO ALL CONTRACTORS INCLUDING THE INSTALLERS**
Trusses require extreme care in fabricating, handling, shipping, installing and bracing. Refer to and follow the latest edition of BCSI (Building Component Safety Information, by TPI and SBCA) for safety practices prior to performing these functions. Installers shall provide temporary bracing per BCSI. Unless noted otherwise, top chord shall have properly attached structural sheathing and bottom chord shall have a properly attached rigid ceiling. Locations shown for permanent lateral restraint of webs shall have continuous lateral restraint (CLR), installed with diagonal bracing installed on the CLR per BCSI sections B3, B7, or B10, as applicable. Apply plates to each face of truss and position as shown above and on the Joint Details, unless noted otherwise. Refer to drawings 160A-Z for standard plate positions. Refer to job's General Notes page for additional information.
Alpine, a division of ITW Building Components Group Inc. shall not be responsible for any deviation from this drawing, any failure to build the truss in conformance with ANSI/TPI 1, or for handling, shipping, installation and bracing of trusses. A seal on this drawing or cover page listing this drawing, indicates acceptance of professional engineering responsibility solely for the design shown. The suitability and use of this drawing for any structure is the responsibility of the Building Designer per ANSI/TPI 1 Sec.2.
For more information see these web sites: Alpine: alpineitw.com; TPI: tpinst.org; SBCA: sbccomponents.com; ICC: iccsafe.org; AWC: awc.org



SEQN: 69494 FROM: SDY	GABL Ply: 1 Qty: 2	Job Number: B61790R Gardner Residence Truss Label: D03	Cust: R 857 JRef: 1YdU8570005 T5 DrwNo: 273.25.1542.33927 SSB / DF 09/30/2025
--------------------------	--------------------------	----------------------------------------------------------------------------	-------------------------------------------------------------------------------------



Loading Criteria (psf) TCLL: 20.00 TCDL: 7.00 BCLL: 0.00 BCDL: 10.00 Des Ld: 37.00 NCBCLL: 10.00 Soffit: 2.00 Load Duration: 1.25 Spacing: 24.0 "	Wind Criteria Wind Std: ASCE 7-22 Speed: 140 mph Enclosure: Closed Risk Category: II EXP: C Kzt: NA Mean Height: 15.00 ft TCDL: 4.0 psf BCDL: 5.0 psf MWFRS Parallel Dist: 0 to h/2 C&C Dist a: 3.00 ft Loc. from endwall: Any GCp: 0.18 Wind Duration: 1.60	Snow Criteria (Pg,Pf in PSF) Pg: NA Ct: NA CAT: NA Pf: NA Ce: NA Lu: NA Cs: NA Snow Duration: NA Building Code: FBC 8th Ed. 2023 Res. TPI Std: 2014 Rep Fac: Yes FT/RT:20(0)/10(0) Plate Type(s): WAVE	Defl/CSI Criteria PP Deflection in loc L/defl L/# VERT(LL): 0.003 B 999 360 VERT(CL): -0.007 J 999 240 HORZ(LL): -0.001 C - - HORZ(TL): 0.016 D - - Creep Factor: 2.0 Max TC CSI: 0.239 Max BC CSI: 0.032 Max Web CSI: 0.891 VIEW Ver: 24.02.00C.1213.15	▲ Maximum Reactions (lbs), or *=PLF Gravity Non-Gravity Loc R+ / R- / Rh / Rw / U / RL S* 94 /- /- /43 /23 /18 Wind reactions based on MWFRS S Brg Wid = 152 Min Req = - Bearing B is a rigid surface. Members not listed have forces less than 375# Maximum Top Chord Forces Per Ply (lbs) Chords Tens.Comp. Chords Tens. Comp. D - G 454 -147 G - J 453 -180 Maximum Gable Forces Per Ply (lbs) Gables Tens.Comp. G - P 19 -525
-------------------------------------------------------------------------------------------------------------------------------------------------------------------------------------	------------------------------------------------------------------------------------------------------------------------------------------------------------------------------------------------------------------------------------------------------------------------------------------------------------	----------------------------------------------------------------------------------------------------------------------------------------------------------------------------------------------------------------------------------------------------	---------------------------------------------------------------------------------------------------------------------------------------------------------------------------------------------------------------------------------------------------------------------------------------------------	---------------------------------------------------------------------------------------------------------------------------------------------------------------------------------------------------------------------------------------------------------------------------------------------------------------------------------------------------------------------------------------------------------------------------------------------------------------------------------------------------

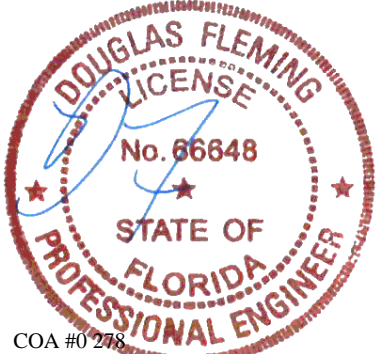
Lumber
Top chord: 2x4 SP #1;
Bot chord: 2x4 SP #1;
Webs: 2x4 SP #3;
Stack Chord: SC1 2x4 SP #1;
Stack Chord: SC2 2x4 SP #1;
Lt Slider: 2x6 SP #1; block length = 1.500'
Rt Slider: 2x6 SP #1; block length = 1.500'

Plating Notes
All plates are 1.5X3 except as noted.
(**) 2 plate(s) require special positioning. Refer to scaled plate plot details for special positioning requirements.

Wind
Wind loads based on MWFRS with additional C&C member design.
Wind loading based on both gable and hip roof types.
Gable meets L/120 deflection criteria for wind load applied to face. Calculated deflection ratio is L/749.

Gable Reinforcement
(a) 2x4 "L" reinforcement. Any species and grade. 80% length of web member. Attach with 10d (0.131"x3",min.) nails @ 2" oc at each end for the first 18" and then 4" oc for the remainder.
(b) 2x6 "L" reinforcement. Any species and grade. 80% length of web member. Attach with 10d (0.131"x3",min.) nails @ 2" oc at each end for the first 18" and then 4" oc for the remainder.

Additional Notes
Exposed portion of gable face shall be reinforced with sheathing and the wind pressures shall be transferred into lateral diaphragms. Connections and designs for diaphragms is the responsibility of the Building Designer in accordance with ANSI/TPI 1.
Stacked top chord must NOT be notched or cut in area (NNL). Dropped top chord braced at 24" oc intervals. Attach stacked top chord (SC) to dropped top chord in notchable area using 3x4 tie-plates 24" oc. Center plate on stacked/dropped chord interface, plate length perpendicular to chord length. Splice top chord in notchable area using 3x6.

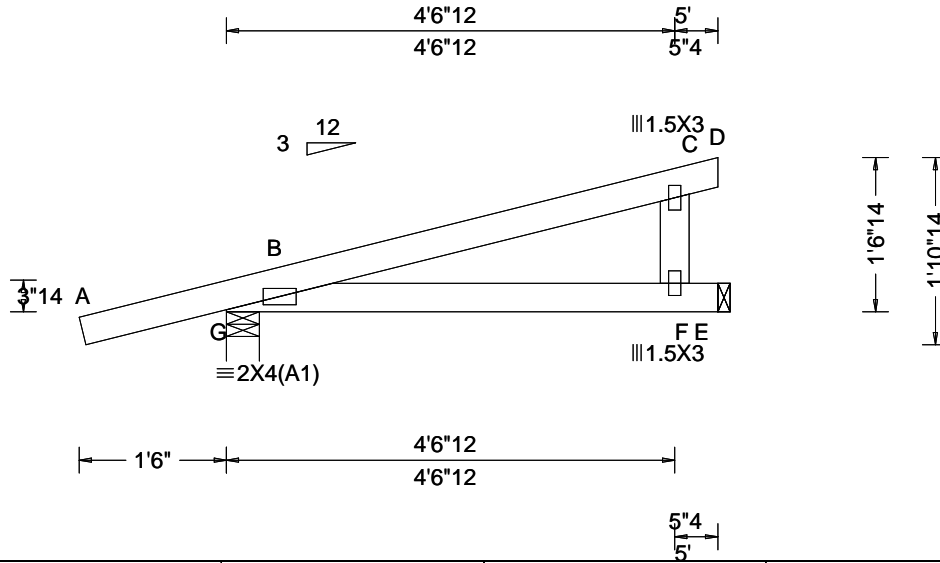


COA #0 278
Florida Certificate of Product Approval #FL1999
10/01/2025

****WARNING** READ AND FOLLOW ALL NOTES ON THIS DRAWING!**
****IMPORTANT** FURNISH THIS DRAWING TO ALL CONTRACTORS INCLUDING THE INSTALLERS**
Trusses require extreme care in fabricating, handling, shipping, installing and bracing. Refer to and follow the latest edition of BCSI (Building Component Safety Information, by TPI and SBCA) for safety practices prior to performing these functions. Installers shall provide temporary bracing per BCSI. Unless noted otherwise, top chord shall have properly attached structural sheathing and bottom chord shall have a properly attached rigid ceiling. Locations shown for permanent lateral restraint of webs shall have continuous lateral restraint (CLR), installed with diagonal bracing installed on the CLR per BCSI sections B3, B7, or B10, as applicable. Apply plates to each face of truss and position as shown above and on the Joint Details, unless noted otherwise. Refer to drawings 160A-Z for standard plate positions. Refer to job's General Notes page for additional information.
Alpine, a division of ITW Building Components Group Inc. shall not be responsible for any deviation from this drawing, any failure to build the truss in conformance with ANSI/TPI 1, or for handling, shipping, installation and bracing of trusses. A seal on this drawing or cover page listing this drawing, indicates acceptance of professional engineering responsibility solely for the design shown. The suitability and use of this drawing for any structure is the responsibility of the Building Designer per ANSI/TPI 1 Sec.2.
For more information see these web sites: Alpine: alpineitw.com; TPI: tpinst.org; SBCA: sbcacomponents.com; ICC: iccsafe.org; AWC: awc.org



SEQN: 69495 FROM: SDY	EJAC Ply: 1 Qty: 14	Job Number: B61790R Gardner Residence Truss Label: E01	Cust: R 857 JRef: 1YdU8570005 T24 DrwNo: 273.25.1542.35397 SSB / DF 09/30/2025
--------------------------	---------------------------	--------------------------------------------------------------	--------------------------------------------------------------------------------------



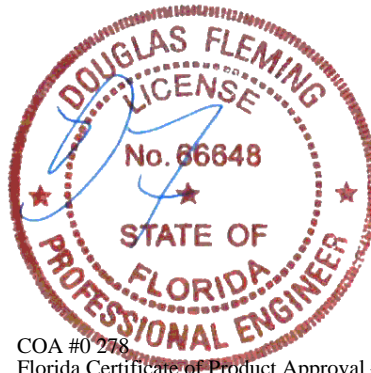
Loading Criteria (psf) TCLL: 20.00 TCCL: 7.00 BCCL: 0.00 BCDL: 10.00 Des Ld: 37.00 NCBCLL: 10.00 Soffit: 2.00 Load Duration: 1.25 Spacing: 24.0 "	Wind Criteria Wind Std: ASCE 7-22 Speed: 140 mph Enclosure: Closed Risk Category: II EXP: C Kzt: NA Mean Height: 15.00 ft TCCL: 4.0 psf BCDL: 5.0 psf MWFRS Parallel Dist: 0 to h/2 C&C Dist a: 3.00 ft Loc. from endwall: Any GCp: 0.18 Wind Duration: 1.60	Snow Criteria (Pg,Pf in PSF) Pg: NA Ct: NA CAT: NA Pf: NA Ce: NA Lu: NA Cs: NA Snow Duration: NA Building Code: FBC 8th Ed. 2023 Res. TPI Std: 2014 Rep Fac: Yes FT/RT:20(0)/10(0) Plate Type(s): WAVE	Defl/CSI Criteria PP Deflection in loc L/defl L/# VERT(LL): NA VERT(CL): NA HORZ(LL): 0.004 B - - HORZ(TL): 0.007 B - - Creep Factor: 2.0 Max TC CSI: 0.305 Max BC CSI: 0.203 Max Web CSI: 0.190 VIEW Ver: 24.02.00C.1213.15	▲ Maximum Reactions (lbs) Gravity Non-Gravity Loc R+ / R- / Rh / Rw / U / RL
				G 293 /- /- /105 /124 /65 E 165 /- /- /93 /55 /- Wind reactions based on MWFRS G Brg Wid = 4.0 Min Req = 1.5 (Truss) E Brg Wid = 1.5 Min Req = - Bearing G is a rigid surface. Members not listed have forces less than 375#

Lumber

Top chord: 2x4 SP #1;
 Bot chord: 2x4 SP #1;
 Webs: 2x4 SP #3;

Wind

Wind loads based on MWFRS with additional C&C member design.
 Wind loading based on both gable and hip roof types.

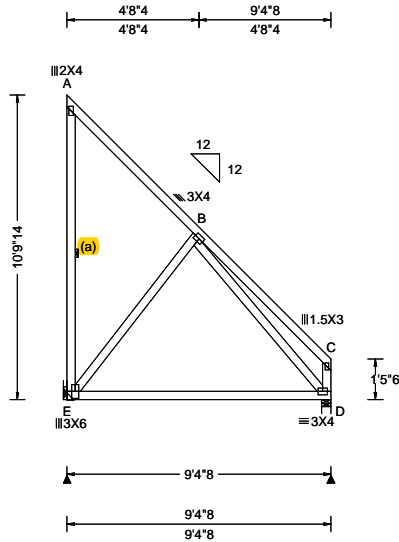


COA #0 278
 Florida Certificate of Product Approval #FL1999
 10/01/2025

****WARNING** READ AND FOLLOW ALL NOTES ON THIS DRAWING!**
****IMPORTANT** FURNISH THIS DRAWING TO ALL CONTRACTORS INCLUDING THE INSTALLERS**
 Trusses require extreme care in fabricating, handling, shipping, installing and bracing. Refer to and follow the latest edition of BCSI (Building Component Safety Information, by TPI and SBCA) for safety practices prior to performing these functions. Installers shall provide temporary bracing per BCSI. Unless noted otherwise, top chord shall have properly attached structural sheathing and bottom chord shall have a properly attached rigid ceiling. Locations shown for permanent lateral restraint of webs shall have continuous lateral restraint (CLR), installed with diagonal bracing installed on the CLR per BCSI sections B3, B7, or B10, as applicable. Apply plates to each face of truss and position as shown above and on the Joint Details, unless noted otherwise. Refer to drawings 160A-Z for standard plate positions. Refer to job's General Notes page for additional information.
 Alpine, a division of ITW Building Components Group Inc. shall not be responsible for any deviation from this drawing, any failure to build the truss in conformance with ANSI/TPI 1, or for handling, shipping, installation and bracing of trusses. A seal on this drawing or cover page listing this drawing, indicates acceptance of professional engineering responsibility solely for the design shown. The suitability and use of this drawing for any structure is the responsibility of the Building Designer per ANSI/TPI 1 Sec.2.
 For more information see these web sites: Alpine: alpineitw.com; TPI: tpinst.org; SBCA: sbccomponents.com; ICC: iccsafe.org; AWC: awc.org



SEQN: 69496 FROM: SDY	MONO Ply: 1 Qty: 1	Job Number: B61790R Gardner Residence Truss Label: G01	Cust: R 857 JRRef: 1YdU8570005 T4 DrwNo: 273.25.1542.36770 SSB / DF 09/30/2025
--------------------------	--------------------------	--------------------------------------------------------------	--------------------------------------------------------------------------------------



Loading Criteria (psf) TCCL: 20.00 TCDL: 7.00 BCLL: 0.00 BCDL: 10.00 Des Ld: 37.00 NCBCLL: 10.00 Soffit: 2.00 Load Duration: 1.25 Spacing: 24.0 "	Wind Criteria Wind Std: ASCE 7-22 Speed: 140 mph Enclosure: Closed Risk Category: II EXP: C Kzt: NA Mean Height: 15.23 ft TCDL: 4.0 psf BCDL: 5.0 psf MWFRS Parallel Dist: h to 2h C&C Dist a: 3.00 ft Loc. from endwall: not in 9.00 ft GCp: 0.18 Wind Duration: 1.60	Snow Criteria (Pg,Pf in PSF) Pg: NA Ct: NA CAT: NA Pf: NA Ce: NA Lu: NA Cs: NA Snow Duration: NA Building Code: FBC 8th Ed. 2023 Res. TPI Std: 2014 Rep Fac: Yes FT/RT:20(0)/10(0) Plate Type(s): WAVE	Defl/CSI Criteria PP Deflection in loc L/defl L/# VERT(LL): 0.002 B 999 360 VERT(CL): 0.004 B 999 240 HORZ(LL): 0.001 C - - HORZ(TL): 0.007 A - - Creep Factor: 2.0 Max TC CSI: 0.468 Max BC CSI: 0.406 Max Web CSI: 0.425 VIEW Ver: 24.02.00C.1213.15	▲ Maximum Reactions (lbs) Gravity Non-Gravity Loc R+ / R- / Rh / Rw / U / RL
				E 374 /- /- /424 /215 /280 D 374 /- /- /185 /- /- Wind reactions based on MWFRS E Brg Wid = - Min Req = - D Brg Wid = 4.0 Min Req = 1.5 (Truss) Bearing D is a rigid surface. Members not listed have forces less than 375# Maximum Web Forces Per Ply (lbs) Webs Tens.Comp. Webs Tens. Comp. E - B 542 -281 B - D 127 -422

Lumber

Top chord: 2x4 SP #1;
 Bot chord: 2x4 SP SS Dense;
 Webs: 2x4 SP #3;

Bracing

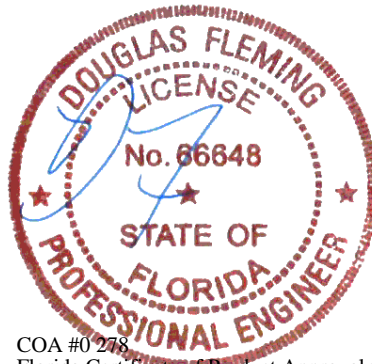
(a) Continuous lateral restraint equally spaced on member. Or 2x4 #3 or better "T" reinforcement. 80% length of web member. Attached with 10d Box or Gun (0.128"x3",min.)nails @ 6" oc.

Hangers / Ties

(J) Hanger Support Required, by others

Wind

Wind loads based on MWFRS with additional C&C member design.
 End verticals not exposed to wind pressure.
 Wind loading based on both gable and hip roof types.

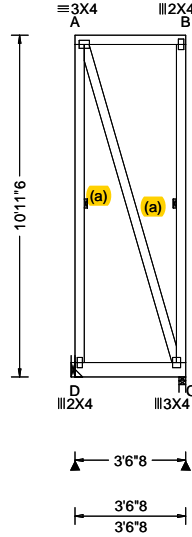


COA #0 278
 Florida Certificate of Product Approval #FL1999
 10/01/2025

****WARNING** READ AND FOLLOW ALL NOTES ON THIS DRAWING!**
****IMPORTANT** FURNISH THIS DRAWING TO ALL CONTRACTORS INCLUDING THE INSTALLERS**
 Trusses require extreme care in fabricating, handling, shipping, installing and bracing. Refer to and follow the latest edition of BCSI (Building Component Safety Information, by TPI and SBCA) for safety practices prior to performing these functions. Installers shall provide temporary bracing per BCSI. Unless noted otherwise, top chord shall have properly attached structural sheathing and bottom chord shall have a properly attached rigid ceiling. Locations shown for permanent lateral restraint of webs shall have continuous lateral restraint (CLR), installed with diagonal bracing installed on the CLR per BCSI sections B3, B7, or B10, as applicable. Apply plates to each face of truss and position as shown above and on the Joint Details, unless noted otherwise. Refer to drawings 160A-Z for standard plate positions. Refer to job's General Notes page for additional information.
 Alpine, a division of ITW Building Components Group Inc. shall not be responsible for any deviation from this drawing, any failure to build the truss in conformance with ANSI/TPI 1, or for handling, shipping, installation and bracing of trusses. A seal on this drawing or cover page listing this drawing, indicates acceptance of professional engineering responsibility solely for the design shown. The suitability and use of this drawing for any structure is the responsibility of the Building Designer per ANSI/TPI 1 Sec.2.
 For more information see these web sites: Alpine: alpineitw.com; TPI: tpinst.org; SBCA: sbcacomponents.com; ICC: iccsafe.org; AWC: awc.org



SEQN: 69497 FROM: SDY	FLAT Ply: 1 Qty: 1	Job Number: B61790R Gardner Residence Truss Label: H01	Cust: R 857 JRRef: 1YdU8570005 T28 DrwNo: 273.25.1542.38243 SSB / DF 09/30/2025
--------------------------	--------------------------	--------------------------------------------------------------	---------------------------------------------------------------------------------------



Loading Criteria (psf) TCLL: 20.00 TCDL: 7.00 BCLL: 0.00 BCDL: 10.00 Des Ld: 37.00 NCBCLL: 10.00 Soffit: 2.00 Load Duration: 1.25 Spacing: 24.0 "	Wind Criteria Wind Std: ASCE 7-22 Speed: 140 mph Enclosure: Closed Risk Category: II EXP: C Kzt: NA Mean Height: 20.04 ft TCDL: 4.0 psf BCDL: 5.0 psf MWFRS Parallel Dist: 0 to h/2 C&C Dist a: NA Loc. from endwall: Any GCp: 0.18 Wind Duration: 1.60	Snow Criteria (Pg,Pf in PSF) Pg: NA Ct: NA CAT: NA Pf: NA Ce: NA Lu: NA Cs: NA Snow Duration: NA Building Code: FBC 8th Ed. 2023 Res. TPI Std: 2014 Rep Fac: Varies by Ld Case FT/RT:20(0)/10(0) Plate Type(s): WAVE	Defl/CSI Criteria PP Deflection in loc L/defl L/# VERT(LL): 0.001 B 999 360 VERT(CL): 0.002 B 999 240 HORZ(LL): -0.003 A - - HORZ(TL): 0.005 A - - Creep Factor: 2.0 Max TC CSI: 0.160 Max BC CSI: 0.422 Max Web CSI: 0.106 VIEW Ver: 24.02.00C.1213.15	▲ Maximum Reactions (lbs) Gravity Non-Gravity Loc R+ / R- / Rh / Rw / U / RL D 444 /- /- /- /188 /- C 390 /- /- /- /165 /- Wind reactions based on MWFRS D Brg Wid = - Min Req = - C Brg Wid = 2.5 Min Req = 1.5 (Truss) Bearing C is a rigid surface. Members not listed have forces less than 375#
-------------------------------------------------------------------------------------------------------------------------------------------------------------------------------------	-------------------------------------------------------------------------------------------------------------------------------------------------------------------------------------------------------------------------------------------------------------------------------------------------------	------------------------------------------------------------------------------------------------------------------------------------------------------------------------------------------------------------------------------------------------------------------	--------------------------------------------------------------------------------------------------------------------------------------------------------------------------------------------------------------------------------------------------------------------------------------------------	----------------------------------------------------------------------------------------------------------------------------------------------------------------------------------------------------------------------------------------------------------------------------------------------------------------------------------------

Lumber

Top chord: 2x4 SP #1;
Bot chord: 2x6 SP #1;
Webs: 2x4 SP #3;

Bracing

(a) Continuous lateral restraint equally spaced on member. Or 2x4 #3 or better "T" reinforcement. 80% length of web member. Attached with 10d Box or Gun (0.128"x3",min.)nails @ 6" oc.

Special Loads

-----(Lumber Dur.Fac.=1.25 / Plate Dur.Fac.=1.25)
TC: From 54 plf at 0.00 to 54 plf at 3.54
BC: From 20 plf at 0.00 to 20 plf at 3.54
BC: 571 lb Conc. Load at 1.60

Hangers / Ties

(J) Hanger Support Required, by others

Purlins

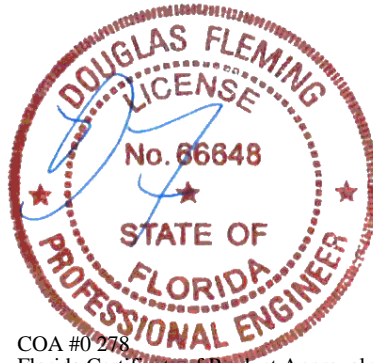
The TC of this truss shall be braced with attached spans at 24" oc in lieu of structural sheathing.

Wind

Wind loads and reactions based on MWFRS.
End verticals not exposed to wind pressure.

Additional Notes

Truss must be installed as shown with top chord up.

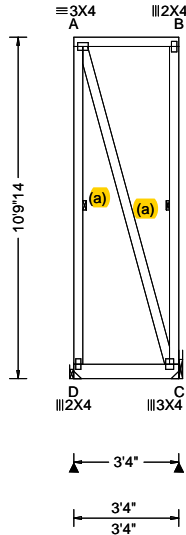


COA #0 278
Florida Certificate of Product Approval #FL1999
10/01/2025

****WARNING** READ AND FOLLOW ALL NOTES ON THIS DRAWING!**
****IMPORTANT** FURNISH THIS DRAWING TO ALL CONTRACTORS INCLUDING THE INSTALLERS**
Trusses require extreme care in fabricating, handling, shipping, installing and bracing. Refer to and follow the latest edition of BCSI (Building Component Safety Information, by TPI and SBCA) for safety practices prior to performing these functions. Installers shall provide temporary bracing per BCSI. Unless noted otherwise, top chord shall have properly attached structural sheathing and bottom chord shall have a properly attached rigid ceiling. Locations shown for permanent lateral restraint of webs shall have continuous lateral restraint (CLR), installed with diagonal bracing installed on the CLR per BCSI sections B3, B7, or B10, as applicable. Apply plates to each face of truss and position as shown above and on the Joint Details, unless noted otherwise. Refer to drawings 160A-Z for standard plate positions. Refer to job's General Notes page for additional information.
Alpine, a division of ITW Building Components Group Inc. shall not be responsible for any deviation from this drawing, any failure to build the truss in conformance with ANSI/TPI 1, or for handling, shipping, installation and bracing of trusses. A seal on this drawing or cover page listing this drawing, indicates acceptance of professional engineering responsibility solely for the design shown. The suitability and use of this drawing for any structure is the responsibility of the Building Designer per ANSI/TPI 1 Sec.2.
For more information see these web sites: Alpine: alpineitw.com; TPI: tpinst.org; SBCA: sbcacomponents.com; ICC: iccsafe.org; AWC: awc.org



SEQN: 69498 FROM: SDY	FLAT Ply: 1 Qty: 1	Job Number: B61790R Gardner Residence Truss Label: H02	Cust: R 857 JRRef: 1YdU8570005 T3 DrwNo: 273.25.1542.39630 SSB / DF 09/30/2025
--------------------------	--------------------------	--------------------------------------------------------------	--------------------------------------------------------------------------------------



Loading Criteria (psf) TCLL: 20.00 TCDL: 7.00 BCLL: 0.00 BCDL: 10.00 Des Ld: 37.00 NCBCLL: 10.00 Soffit: 2.00 Load Duration: 1.25 Spacing: 24.0 "	Wind Criteria Wind Std: ASCE 7-22 Speed: 140 mph Enclosure: Closed Risk Category: II EXP: C Kzt: NA Mean Height: 19.92 ft TCDL: 4.0 psf BCDL: 5.0 psf MWFRS Parallel Dist: 0 to h/2 C&C Dist a: NA Loc. from endwall: not in 12.50 ft GCp: 0.18 Wind Duration: 1.60	Snow Criteria (Pg,Pf in PSF) Pg: NA Ct: NA CAT: NA Pf: NA Ce: NA Lu: NA Cs: NA Snow Duration: NA Building Code: FBC 8th Ed. 2023 Res. TPI Std: 2014 Rep Fac: Varies by Ld Case FT/RT:20(0)/10(0) Plate Type(s): WAVE	Defl/CSI Criteria PP Deflection in loc L/defl L/# VERT(LL): 0.001 B 999 360 VERT(CL): 0.002 B 999 240 HORZ(LL): -0.004 A - - HORZ(TL): 0.005 A - - Creep Factor: 2.0 Max TC CSI: 0.141 Max BC CSI: 0.259 Max Web CSI: 0.097 VIEW Ver: 24.02.00C.1213.15	▲ Maximum Reactions (lbs) Gravity Non-Gravity Loc R+ / R- / Rh / Rw / U / RL D 341 /- /- /- /176 /- C 280 /- /- /- /141 /- Wind reactions based on MWFRS D Brg Wid = - Min Req = - C Brg Wid = - Min Req = - Members not listed have forces less than 375#
-------------------------------------------------------------------------------------------------------------------------------------------------------------------------------------	-------------------------------------------------------------------------------------------------------------------------------------------------------------------------------------------------------------------------------------------------------------------------------------------------------------------	------------------------------------------------------------------------------------------------------------------------------------------------------------------------------------------------------------------------------------------------------------------	--------------------------------------------------------------------------------------------------------------------------------------------------------------------------------------------------------------------------------------------------------------------------------------------------	-------------------------------------------------------------------------------------------------------------------------------------------------------------------------------------------------------------------------------------------------------------------------------------------

Lumber

Top chord: 2x4 SP #1;
Bot chord: 2x6 SP #1;
Webs: 2x4 SP #3;

Bracing

(a) Continuous lateral restraint equally spaced on member. Or 2x4 #3 or better "T" reinforcement. 80% length of web member. Attached with 10d Box or Gun (0.128"x3",min.)nails @ 6" oc.

Special Loads

----(Lumber Dur.Fac.=1.25 / Plate Dur.Fac.=1.25)
TC: From 54 plf at 0.00 to 54 plf at 3.33
BC: From 20 plf at 0.00 to 20 plf at 3.33
BC: 374 lb Conc. Load at 1.40

Hangers / Ties

(J) Hanger Support Required, by others

Purlins

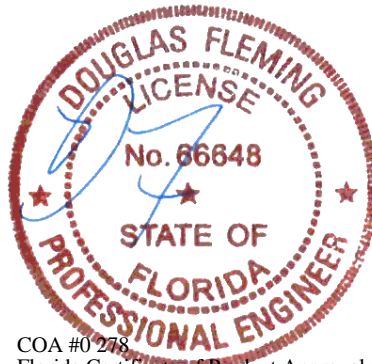
The TC of this truss shall be braced with attached spans at 24" oc in lieu of structural sheathing.

Wind

Wind loads and reactions based on MWFRS.
End verticals not exposed to wind pressure.

Additional Notes

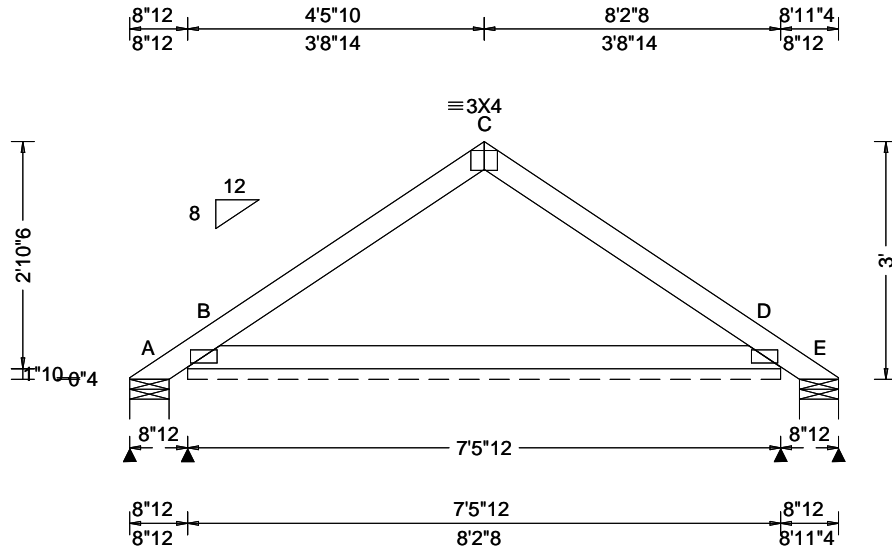
Truss must be installed as shown with top chord up.



COA #0248
Florida Certificate of Product Approval #FL1999
10/01/2025

****WARNING** READ AND FOLLOW ALL NOTES ON THIS DRAWING!**
****IMPORTANT** FURNISH THIS DRAWING TO ALL CONTRACTORS INCLUDING THE INSTALLERS**
Trusses require extreme care in fabricating, handling, shipping, installing and bracing. Refer to and follow the latest edition of BCSI (Building Component Safety Information, by TPI and SBCA) for safety practices prior to performing these functions. Installers shall provide temporary bracing per BCSI. Unless noted otherwise, top chord shall have properly attached structural sheathing and bottom chord shall have a properly attached rigid ceiling. Locations shown for permanent lateral restraint of webs shall have continuous lateral restraint (CLR), installed with diagonal bracing installed on the CLR per BCSI sections B3, B7, or B10, as applicable. Apply plates to each face of truss and position as shown above and on the Joint Details, unless noted otherwise. Refer to drawings 160A-Z for standard plate positions. Refer to job's General Notes page for additional information.
Alpine, a division of ITW Building Components Group Inc. shall not be responsible for any deviation from this drawing, any failure to build the truss in conformance with ANSI/TPI 1, or for handling, shipping, installation and bracing of trusses. A seal on this drawing or cover page listing this drawing, indicates acceptance of professional engineering responsibility solely for the design shown. The suitability and use of this drawing for any structure is the responsibility of the Building Designer per ANSI/TPI 1 Sec.2.
For more information see these web sites: Alpine: alpineitw.com; TPI: tpinst.org; SBCA: sbcacomponents.com; ICC: iccsafe.org; AWC: awc.org





Loading Criteria (psf) TCLL: 20.00 TCDL: 7.00 BCLL: 0.00 BCDL: 10.00 Des Ld: 37.00 NCBCLL: 10.00 Soffit: 2.00 Load Duration: 1.25 Spacing: 24.0 "	Wind Criteria Wind Std: ASCE 7-22 Speed: 140 mph Enclosure: Closed Risk Category: II EXP: C Kzt: NA Mean Height: 16.21 ft TCDL: 4.0 psf BCDL: 5.0 psf MWFRS Parallel Dist: h to 2h C&C Dist a: 3.00 ft Loc. from endwall: not in 13.00 ft GCp: 0.18 Wind Duration: 1.60	Snow Criteria (Pg,Pf in PSF) Pg: NA Ct: NA CAT: NA Pf: NA Ce: NA Lu: NA Cs: NA Snow Duration: NA Building Code: FBC 8th Ed. 2023 Res. TPI Std: 2014 Rep Fac: Yes FT/RT:20(0)/10(0) Plate Type(s): WAVE	Defl/CSI Criteria PP Deflection in loc L/defl L/# VERT(LL): 0.000 - - 360 VERT(CL): 0.000 - - 240 HORZ(LL): 0.000 - - - HORZ(TL): 0.000 - - - Creep Factor: 2.0 Max TC CSI: 0.095 Max BC CSI: 0.207 Max Web CSI: 0.000 VIEW Ver: 24.02.00C.1213.15	▲ Maximum Reactions (lbs), or *=PLF Gravity Non-Gravity Loc R+ / R- / Rh / Rw / U / RL A - /-78 /- /84 /169 /99 B* 83 /- /- /78 /17 /- E - /-78 /- /32 /117 /- Wind reactions based on MWFRS A Brg Wid = 5.9 Min Req = 1.5 (Truss) B Brg Wid = 89.8 Min Req = - E Brg Wid = 5.9 Min Req = 1.5 (Truss) Bearings A, B, & E are a rigid surface. Members not listed have forces less than 375#
-------------------------------------------------------------------------------------------------------------------------------------------------------------------------------------	-----------------------------------------------------------------------------------------------------------------------------------------------------------------------------------------------------------------------------------------------------------------------------------------------------------------------	----------------------------------------------------------------------------------------------------------------------------------------------------------------------------------------------------------------------------------------------------	---------------------------------------------------------------------------------------------------------------------------------------------------------------------------------------------------------------------------------------------------------------------------------------------	-------------------------------------------------------------------------------------------------------------------------------------------------------------------------------------------------------------------------------------------------------------------------------------------------------------------------------------------------------------------------------------------------------------------------------------

Lumber

Top chord: 2x4 SP #1;
Bot chord: 2x4 SP #1;

Plating Notes

All plates are 2X4(A1) except as noted.

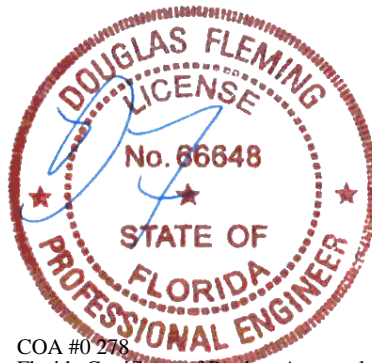
Wind

Wind loads based on MWFRS with additional C&C member design.

Wind loading based on both gable and hip roof types.

Additional Notes

Refer to DWG PB160220723 for piggyback details.

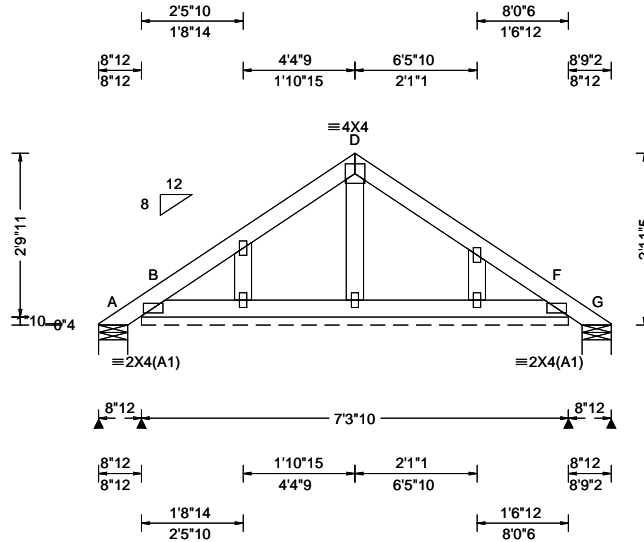


COA #0 278
Florida Certificate of Product Approval #FL1999
10/01/2025

****WARNING** READ AND FOLLOW ALL NOTES ON THIS DRAWING!**
****IMPORTANT** FURNISH THIS DRAWING TO ALL CONTRACTORS INCLUDING THE INSTALLERS**
Trusses require extreme care in fabricating, handling, shipping, installing and bracing. Refer to and follow the latest edition of BCSI (Building Component Safety Information, by TPI and SBCA) for safety practices prior to performing these functions. Installers shall provide temporary bracing per BCSI. Unless noted otherwise, top chord shall have properly attached structural sheathing and bottom chord shall have a properly attached rigid ceiling. Locations shown for permanent lateral restraint of webs shall have continuous lateral restraint (CLR), installed with diagonal bracing installed on the CLR per BCSI sections B3, B7, or B10, as applicable. Apply plates to each face of truss and position as shown above and on the Joint Details, unless noted otherwise. Refer to drawings 160A-Z for standard plate positions. Refer to job's General Notes page for additional information.
Alpine, a division of ITW Building Components Group Inc. shall not be responsible for any deviation from this drawing, any failure to build the truss in conformance with ANSI/TPI 1, or for handling, shipping, installation and bracing of trusses. A seal on this drawing or cover page listing this drawing, indicates acceptance of professional engineering responsibility solely for the design shown. The suitability and use of this drawing for any structure is the responsibility of the Building Designer per ANSI/TPI 1 Sec.2.
For more information see these web sites: Alpine: alpineitw.com; TPI: tpinst.org; SBCA: sbcacomponents.com; ICC: iccsafe.org; AWC: awc.org



SEQN: 69500 FROM: SDY	GABL Ply: 1 Qty: 1	Job Number: B61790R Gardner Residence Truss Label: PB02	Cust: R 857 JRref: 1YdU8570005 T29 DrwNo: 273.25.1542.42740 SSB / DF 09/30/2025
--------------------------	--------------------------	---------------------------------------------------------------	---------------------------------------------------------------------------------------



Loading Criteria (psf) TCCL: 20.00 TCDL: 7.00 BCLL: 0.00 BCDL: 10.00 Des Ld: 37.00 NCBCLL: 10.00 Soffit: 2.00 Load Duration: 1.25 Spacing: 24.0 "	Wind Criteria Wind Std: ASCE 7-22 Speed: 140 mph Enclosure: Closed Risk Category: II EXP: C Kzt: NA Mean Height: 16.21 ft TCDL: 4.0 psf BCDL: 5.0 psf MWFRS Parallel Dist: 0 to h/2 C&C Dist a: 3.00 ft Loc. from endwall: not in 6.50 ft GCp: 0.18 Wind Duration: 1.60	Snow Criteria (Pg,Pf in PSF) Pg: NA Ct: NA CAT: NA Pf: NA Ce: NA Lu: NA Cs: NA Snow Duration: NA Building Code: FBC 8th Ed. 2023 Res. TPI Std: 2014 Rep Fac: Yes FT/RT:20(0)/10(0) Plate Type(s): WAVE	Defl/CSI Criteria PP Deflection in loc L/defl L/# VERT(LL): 0.000 - - 360 VERT(CL): 0.000 - - 240 HORZ(LL): 0.000 - - - HORZ(TL): 0.000 - - - Creep Factor: 2.0 Max TC CSI: 0.036 Max BC CSI: 0.015 Max Web CSI: 0.021 VIEW Ver: 24.02.00C.1213.15	▲ Maximum Reactions (lbs), or *=PLF <table border="1"> <thead> <tr> <th rowspan="2">Loc</th> <th colspan="3">Gravity</th> <th colspan="3">Non-Gravity</th> </tr> <tr> <th>R+</th> <th>/R-</th> <th>/Rh</th> <th>/Rw</th> <th>/U</th> <th>/RL</th> </tr> </thead> <tbody> <tr> <td>A</td> <td>14</td> <td>/-</td> <td>/-</td> <td>/8</td> <td>/-</td> <td>/-</td> </tr> <tr> <td>B*</td> <td>65</td> <td>/-</td> <td>/-</td> <td>/36</td> <td>/-</td> <td>/-</td> </tr> <tr> <td>G</td> <td>17</td> <td>/-</td> <td>/-</td> <td>/9</td> <td>/-</td> <td>/-</td> </tr> </tbody> </table>	Loc	Gravity			Non-Gravity			R+	/R-	/Rh	/Rw	/U	/RL	A	14	/-	/-	/8	/-	/-	B*	65	/-	/-	/36	/-	/-	G	17	/-	/-	/9	/-	/-
				Loc		Gravity			Non-Gravity																													
R+	/R-	/Rh	/Rw		/U	/RL																																
A	14	/-	/-	/8	/-	/-																																
B*	65	/-	/-	/36	/-	/-																																
G	17	/-	/-	/9	/-	/-																																
				Wind reactions based on MWFRS A Brg Wid = 5.9 Min Req = 1.5 (Truss) B Brg Wid = 87.6 Min Req = - G Brg Wid = 5.9 Min Req = 1.5 (Truss) Bearings A, B, & G are a rigid surface. Members not listed have forces less than 375#																																		

Lumber

Top chord: 2x4 SP #1;
 Bot chord: 2x4 SP #1;
 Webs: 2x4 SP #3;

Plating Notes

All plates are 1.5X3 except as noted.

Purlins

In lieu of rigid ceiling use purlins to brace BC @ 24" oc.

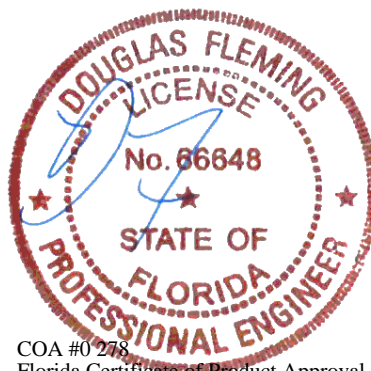
Wind

Wind loads based on MWFRS.

Wind loading based on both gable and hip roof types.

Additional Notes

Refer to DWG PB160220723 for piggyback details.

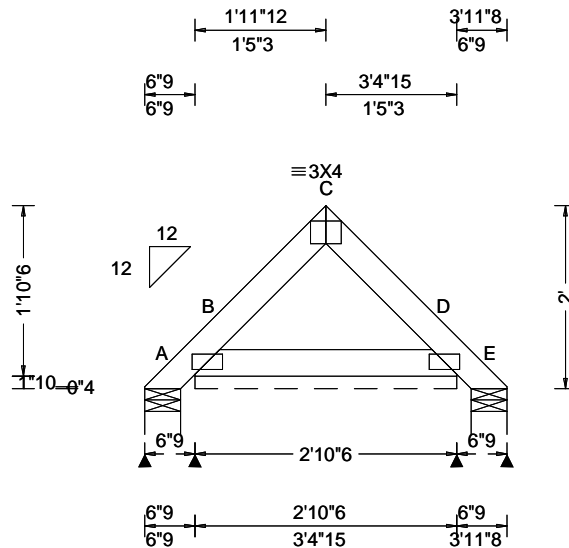


COA #0248
 Florida Certificate of Product Approval #FL1999
 10/01/2025

****WARNING** READ AND FOLLOW ALL NOTES ON THIS DRAWING!**
****IMPORTANT** FURNISH THIS DRAWING TO ALL CONTRACTORS INCLUDING THE INSTALLERS**
 Trusses require extreme care in fabricating, handling, shipping, installing and bracing. Refer to and follow the latest edition of BCSI (Building Component Safety Information, by TPI and SBCA) for safety practices prior to performing these functions. Installers shall provide temporary bracing per BCSI. Unless noted otherwise, top chord shall have properly attached structural sheathing and bottom chord shall have a properly attached rigid ceiling. Locations shown for permanent lateral restraint of webs shall have continuous lateral restraint (CLR), installed with diagonal bracing installed on the CLR per BCSI sections B3, B7, or B10, as applicable. Apply plates to each face of truss and position as shown above and on the Joint Details, unless noted otherwise. Refer to drawings 160A-Z for standard plate positions. Refer to job's General Notes page for additional information.
 Alpine, a division of ITW Building Components Group Inc. shall not be responsible for any deviation from this drawing, any failure to build the truss in conformance with ANSI/TPI 1, or for handling, shipping, installation and bracing of trusses. A seal on this drawing or cover page listing this drawing, indicates acceptance of professional engineering responsibility solely for the design shown. The suitability and use of this drawing for any structure is the responsibility of the Building Designer per ANSI/TPI 1 Sec.2.
 For more information see these web sites: Alpine: alpineitw.com; TPI: tpinst.org; SBCA: sbccomponents.com; ICC: iccsafe.org; AWC: awc.org



SEQN: 69501 FROM: SDY	COMN Ply: 1 Qty: 28	Job Number: B61790R Gardner Residence Truss Label: PB03	Cust: R 857 JRef: 1YdU8570005 T1 DrwNo: 273.25.1542.44300 SSB / DF 09/30/2025
--------------------------	---------------------------	---------------------------------------------------------------	-------------------------------------------------------------------------------------



Loading Criteria (psf) TCLL: 20.00 TC DL: 7.00 BC LL: 0.00 BC DL: 10.00 Des Ld: 37.00 NCBC LL: 10.00 Soffit: 2.00 Load Duration: 1.25 Spacing: 24.0 "	Wind Criteria Wind Std: ASCE 7-22 Speed: 140 mph Enclosure: Closed Risk Category: II EXP: C Kzt: NA Mean Height: 16.54 ft TC DL: 4.0 psf BC DL: 5.0 psf MWFRS Parallel Dist: h/2 to h C&C Dist a: 3.00 ft Loc. from endwall: not in 9.00 ft GCp: 0.18 Wind Duration: 1.60	Snow Criteria (Pg,Pf in PSF) Pg: NA Ct: NA CAT: NA Pf: NA Ce: NA Lu: NA Cs: NA Snow Duration: NA Building Code: FBC 8th Ed. 2023 Res. TPI Std: 2014 Rep Fac: Yes FT/RT:20(0)/10(0) Plate Type(s): WAVE	Defl/CSI Criteria PP Deflection in loc L/defl L/# VERT(LL): 0.000 - - 360 VERT(CL): 0.000 - - 240 HORZ(LL): 0.000 - - - HORZ(TL): 0.000 - - - Creep Factor: 2.0 Max TC CSI: 0.013 Max BC CSI: 0.028 Max Web CSI: 0.000 VIEW Ver: 24.02.00C.1213.15	▲ Maximum Reactions (lbs), or *=PLF <table border="1"> <thead> <tr> <th rowspan="2">Loc</th> <th colspan="3">Gravity</th> <th colspan="3">Non-Gravity</th> </tr> <tr> <th>R+</th> <th>/R-</th> <th>/Rh</th> <th>/Rw</th> <th>/U</th> <th>/RL</th> </tr> </thead> <tbody> <tr> <td>A</td> <td>11</td> <td>/-</td> <td>/-</td> <td>/59</td> <td>/52</td> <td>/67</td> </tr> <tr> <td>B*</td> <td>72</td> <td>/-</td> <td>/-</td> <td>/68</td> <td>/32</td> <td>/-</td> </tr> <tr> <td>E</td> <td>11</td> <td>/-</td> <td>/-</td> <td>/9</td> <td>/2</td> <td>/-</td> </tr> </tbody> </table>	Loc	Gravity			Non-Gravity			R+	/R-	/Rh	/Rw	/U	/RL	A	11	/-	/-	/59	/52	/67	B*	72	/-	/-	/68	/32	/-	E	11	/-	/-	/9	/2	/-
				Loc		Gravity			Non-Gravity																													
R+	/R-	/Rh	/Rw		/U	/RL																																
A	11	/-	/-	/59	/52	/67																																
B*	72	/-	/-	/68	/32	/-																																
E	11	/-	/-	/9	/2	/-																																
				Wind reactions based on MWFRS A Brg Wid = 4.7 Min Req = 1.5 (Truss) B Brg Wid = 34.4 Min Req = - E Brg Wid = 4.7 Min Req = 1.5 (Truss) Bearings A, B, & E are a rigid surface. Members not listed have forces less than 375#																																		

Lumber

Top chord: 2x4 SP #1;
 Bot chord: 2x4 SP #1;

Plating Notes

All plates are 2X4(A1) except as noted.

Purlins

In lieu of rigid ceiling use purlins to brace BC @ 24" oc.

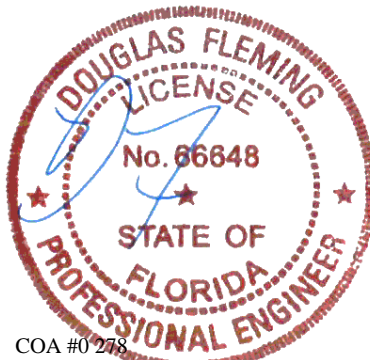
Wind

Wind loads based on MWFRS with additional C&C member design.

Wind loading based on both gable and hip roof types.

Additional Notes

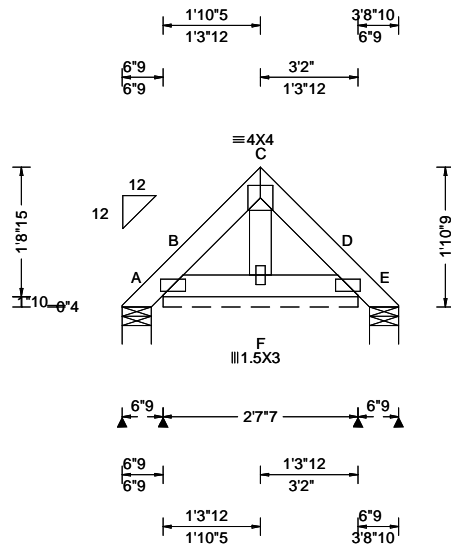
Refer to DWG PB160220723 for piggyback details.



COA #0278
 Florida Certificate of Product Approval #FL1999
 10/01/2025

****WARNING** READ AND FOLLOW ALL NOTES ON THIS DRAWING!**
****IMPORTANT** FURNISH THIS DRAWING TO ALL CONTRACTORS INCLUDING THE INSTALLERS**
 Trusses require extreme care in fabricating, handling, shipping, installing and bracing. Refer to and follow the latest edition of BCSI (Building Component Safety Information, by TPI and SBCA) for safety practices prior to performing these functions. Installers shall provide temporary bracing per BCSI. Unless noted otherwise, top chord shall have properly attached structural sheathing and bottom chord shall have a properly attached rigid ceiling. Locations shown for permanent lateral restraint of webs shall have continuous lateral restraint (CLR), installed with diagonal bracing installed on the CLR per BCSI sections B3, B7, or B10, as applicable. Apply plates to each face of truss and position as shown above and on the Joint Details, unless noted otherwise. Refer to drawings 160A-Z for standard plate positions. Refer to job's General Notes page for additional information.
 Alpine, a division of ITW Building Components Group Inc. shall not be responsible for any deviation from this drawing, any failure to build the truss in conformance with ANSI/TPI 1, or for handling, shipping, installation and bracing of trusses. A seal on this drawing or cover page listing this drawing, indicates acceptance of professional engineering responsibility solely for the design shown. The suitability and use of this drawing for any structure is the responsibility of the Building Designer per ANSI/TPI 1 Sec.2.
 For more information see these web sites: Alpine: alpineitw.com; TPI: tpinst.org; SBCA: sbccomponents.com; ICC: iccsafe.org; AWC: awc.org





Loading Criteria (psf) TCLL: 20.00 TCDL: 7.00 BCLL: 0.00 BCDL: 10.00 Des Ld: 37.00 NCBCLL: 10.00 Soffit: 2.00 Load Duration: 1.25 Spacing: 24.0 "	Wind Criteria Wind Std: ASCE 7-22 Speed: 140 mph Enclosure: Closed Risk Category: II EXP: C Kzt: NA Mean Height: 15.79 ft TCDL: 4.0 psf BCDL: 5.0 psf MWFRS Parallel Dist: 0 to h/2 C&C Dist a: 3.00 ft Loc. from endwall: Any GCp: 0.18 Wind Duration: 1.60	Snow Criteria (Pg,Pf in PSF) Pg: NA Ct: NA CAT: NA Pf: NA Ce: NA Lu: NA Cs: NA Snow Duration: NA Building Code: FBC 8th Ed. 2023 Res. TPI Std: 2014 Rep Fac: Yes FT/RT:20(0)/10(0) Plate Type(s): WAVE	Defl/CSI Criteria PP Deflection in loc L/defl L/# VERT(LL): 0.000 - - 360 VERT(CL): 0.000 - - 240 HORZ(LL): 0.000 - - - HORZ(TL): 0.000 - - - Creep Factor: 2.0 Max TC CSI: 0.011 Max BC CSI: 0.006 Max Web CSI: 0.007 VIEW Ver: 24.02.00C.1213.15	▲ Maximum Reactions (lbs), or *=PLF Gravity Non-Gravity Loc R+ / R- / Rh / Rw / U / RL A 9 /- /- /7 /- /- B* 75 /- /- /38 /- /- E 9 /- /- /7 /- /- Wind reactions based on MWFRS A Brg Wid = 4.7 Min Req = 1.5 (Truss) B Brg Wid = 31.4 Min Req = - E Brg Wid = 4.7 Min Req = 1.5 (Truss) Bearings A, B, & E are a rigid surface. Members not listed have forces less than 375#
-------------------------------------------------------------------------------------------------------------------------------------------------------------------------------------	------------------------------------------------------------------------------------------------------------------------------------------------------------------------------------------------------------------------------------------------------------------------------------------------------------	----------------------------------------------------------------------------------------------------------------------------------------------------------------------------------------------------------------------------------------------------	---------------------------------------------------------------------------------------------------------------------------------------------------------------------------------------------------------------------------------------------------------------------------------------------	-------------------------------------------------------------------------------------------------------------------------------------------------------------------------------------------------------------------------------------------------------------------------------------------------------------------------------------------------------------------------------------------------------------------------

Lumber

Top chord: 2x4 SP #1;
Bot chord: 2x4 SP #1;
Webs: 2x4 SP #3;

Plating Notes

All plates are 2X4(A1) except as noted.

Purlins

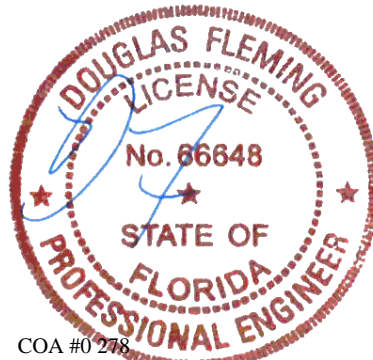
In lieu of rigid ceiling use purlins to brace BC @ 24" oc.

Wind

Wind loads based on MWFRS with additional C&C member design.
Wind loading based on both gable and hip roof types.

Additional Notes

Refer to DWG PB160220723 for piggyback details.

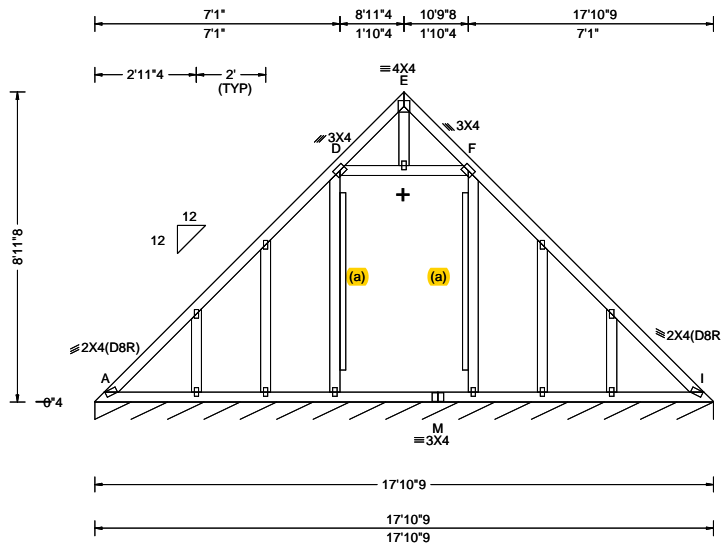


COA #0 278
Florida Certificate of Product Approval #FL1999
10/01/2025

****WARNING** READ AND FOLLOW ALL NOTES ON THIS DRAWING!**
****IMPORTANT** FURNISH THIS DRAWING TO ALL CONTRACTORS INCLUDING THE INSTALLERS**
Trusses require extreme care in fabricating, handling, shipping, installing and bracing. Refer to and follow the latest edition of BCSI (Building Component Safety Information, by TPI and SBCA) for safety practices prior to performing these functions. Installers shall provide temporary bracing per BCSI. Unless noted otherwise, top chord shall have properly attached structural sheathing and bottom chord shall have a properly attached rigid ceiling. Locations shown for permanent lateral restraint of webs shall have continuous lateral restraint (CLR), installed with diagonal bracing installed on the CLR per BCSI sections B3, B7, or B10, as applicable. Apply plates to each face of truss and position as shown above and on the Joint Details, unless noted otherwise. Refer to drawings 160A-Z for standard plate positions. Refer to job's General Notes page for additional information.
Alpine, a division of ITW Building Components Group Inc. shall not be responsible for any deviation from this drawing, any failure to build the truss in conformance with ANSI/TPI 1, or for handling, shipping, installation and bracing of trusses. A seal on this drawing or cover page listing this drawing, indicates acceptance of professional engineering responsibility solely for the design shown. The suitability and use of this drawing for any structure is the responsibility of the Building Designer per ANSI/TPI 1 Sec.2.
For more information see these web sites: Alpine: alpineitw.com; TPI: tpinst.org; SBCA: sbccomponents.com; ICC: iccsafe.org; AWC: awc.org



SEQN: 69503 FROM: SDY	GABL Ply: 1 Qty: 1	Job Number: B61790R Gardner Residence Truss Label: VL01	Cust: R 857 JRef: 1YdU8570005 T42 DrwNo: 273.25.1542.48480 SSB / DF 09/30/2025
--------------------------	--------------------------	---------------------------------------------------------------	--------------------------------------------------------------------------------------



Loading Criteria (psf) TCCL: 20.00 TCCL: 7.00 BCCL: 0.00 BCDL: 10.00 Des Ld: 37.00 NCBCLL: 10.00 Soffit: 2.00 Load Duration: 1.25 Spacing: 24.0 "	Wind Criteria Wind Std: ASCE 7-22 Speed: 140 mph Enclosure: Closed Risk Category: II EXP: C Kzt: NA Mean Height: 17.75 ft TCCL: 4.0 psf BCDL: 5.0 psf MWFRS Parallel Dist: 0 to h/2 C&C Dist a: 3.00 ft Loc. from endwall: not in 9.00 ft GCp: 0.18 Wind Duration: 1.60	Snow Criteria (Pg,Pf in PSF) Pg: NA Ct: NA CAT: NA Pf: NA Ce: NA Lu: NA Cs: NA Snow Duration: NA Building Code: FBC 8th Ed. 2023 Res. TPI Std: 2014 Rep Fac: Yes FT/RT:20(0)/10(0) Plate Type(s): WAVE	Defl/CSI Criteria PP Deflection in loc L/defl L/# VERT(LL): 0.002 E 999 360 VERT(CL): 0.003 I 999 240 HORZ(LL): -0.001 B - - HORZ(TL): 0.006 D - - Creep Factor: 2.0 Max TC CSI: 0.057 Max BC CSI: 0.044 Max Web CSI: 0.929 VIEW Ver: 24.02.00C.1213.15	▲ Maximum Reactions (lbs), or *=PLF <table border="1"> <thead> <tr> <th colspan="3">Gravity</th> <th colspan="3">Non-Gravity</th> </tr> <tr> <th>Loc</th> <th>R+</th> <th>/R-</th> <th>/Rh</th> <th>/Rw</th> <th>/U</th> <th>/RL</th> </tr> </thead> <tbody> <tr> <td>I*</td> <td>80</td> <td>/-</td> <td>/-</td> <td>/43</td> <td>/18</td> <td>/18</td> </tr> </tbody> </table> Wind reactions based on MWFRS I Brg Wid = 214 Min Req = - Bearing A is a rigid surface. Members not listed have forces less than 375#	Gravity			Non-Gravity			Loc	R+	/R-	/Rh	/Rw	/U	/RL	I*	80	/-	/-	/43	/18	/18
				Gravity			Non-Gravity																	
Loc	R+	/R-	/Rh	/Rw	/U	/RL																		
I*	80	/-	/-	/43	/18	/18																		
Lumber Top chord: 2x4 SP #1; Bot chord: 2x4 SP #1; Webs: 2x4 SP #3;																								

Plating Notes

All plates are 1.5X3 except as noted.

Wind

Wind loads based on MWFRS with additional C&C member design.
 Wind loading based on both gable and hip roof types.
 Gable meets L/120 deflection criteria for wind load applied to face. Calculated deflection ratio is L/240.

Gable Reinforcement

(a) 2x6 "L" reinforcement. Same species and grade as web. 80% length of web member. Attach with 10d (0.131"x3",min.) nails @ 2" oc at each end for the first 18" and then 4" oc for the remainder.

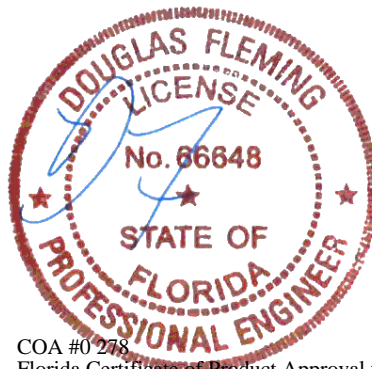
Additional Notes

Exposed portion of gable face shall be reinforced with sheathing and the wind pressures shall be transferred into lateral diaphragms. Connections and designs for diaphragms is the responsibility of the Building Designer in accordance with ANSI/TPI 1.

+ Member to be laterally braced for out of plane wind loads

Additional Notes

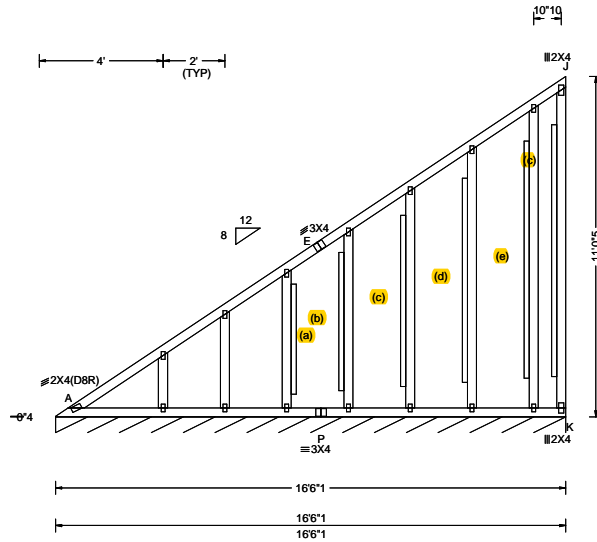
See DWGS VALTN220723 and VAL180220723 for valley details.



COA #0248
 Florida Certificate of Product Approval #FL1999
 10/01/2025

****WARNING** READ AND FOLLOW ALL NOTES ON THIS DRAWING!**
****IMPORTANT** FURNISH THIS DRAWING TO ALL CONTRACTORS INCLUDING THE INSTALLERS**
 Trusses require extreme care in fabricating, handling, shipping, installing and bracing. Refer to and follow the latest edition of BCSI (Building Component Safety Information, by TPI and SBCA) for safety practices prior to performing these functions. Installers shall provide temporary bracing per BCSI. Unless noted otherwise, top chord shall have properly attached structural sheathing and bottom chord shall have a properly attached rigid ceiling. Locations shown for permanent lateral restraint of webs shall have continuous lateral restraint (CLR), installed with diagonal bracing installed on the CLR per BCSI sections B3, B7, or B10, as applicable. Apply plates to each face of truss and position as shown above and on the Joint Details, unless noted otherwise. Refer to drawings 160A-Z for standard plate positions. Refer to job's General Notes page for additional information.
 Alpine, a division of ITW Building Components Group Inc. shall not be responsible for any deviation from this drawing, any failure to build the truss in conformance with ANSI/TPI 1, or for handling, shipping, installation and bracing of trusses. A seal on this drawing or cover page listing this drawing, indicates acceptance of professional engineering responsibility solely for the design shown. The suitability and use of this drawing for any structure is the responsibility of the Building Designer per ANSI/TPI 1 Sec.2.
 For more information see these web sites: Alpine: alpineitw.com; TPI: tpinst.org; SBCA: sbccomponents.com; ICC: iccsafe.org; AWC: awc.org





Loading Criteria (psf) TCLL: 20.00 TCDL: 7.00 BCLL: 0.00 BCDL: 10.00 Des Ld: 37.00 NCBCLL: 10.00 Soffit: 2.00 Load Duration: 1.25 Spacing: 24.0 "	Wind Criteria Wind Std: ASCE 7-22 Speed: 140 mph Enclosure: Closed Risk Category: II EXP: C Kzt: NA Mean Height: 16.32 ft TCDL: 4.0 psf BCDL: 5.0 psf MWFRS Parallel Dist: 0 to h/2 C&C Dist a: 3.00 ft Loc. from endwall: Any GCpi: 0.18 Wind Duration: 1.60	Snow Criteria (Pg,Pf in PSF) Pg: NA Ct: NA CAT: NA Pf: NA Ce: NA Lu: NA Cs: NA Snow Duration: NA Building Code: FBC 8th Ed. 2023 Res. TPI Std: 2014 Rep Fac: Yes FT/RT:20(0)/10(0) Plate Type(s): WAVE	Defl/CSI Criteria PP Deflection in loc L/defl L/# VERT(LL): 0.005 A 999 360 VERT(CL): 0.007 A 999 240 HORZ(LL): 0.002 A - - HORZ(TL): 0.016 I - - Creep Factor: 2.0 Max TC CSI: 0.074 Max BC CSI: 0.062 Max Web CSI: 0.726 VIEW Ver: 24.02.00C.1213.15	▲ Maximum Reactions (lbs), or *=PLF Gravity Non-Gravity Loc R+ / R- / Rh / Rw / U / RL A* 77 /- /- /54 /22 /28 Wind reactions based on MWFRS A Brg Wid = 198 Min Req = - Bearing A is a rigid surface. Members not listed have forces less than 375# Maximum Top Chord Forces Per Ply (lbs) Chords Tens.Comp. Chords Tens. Comp. A - E 212 -723 E - J 122 -407 Maximum Bot Chord Forces Per Ply (lbs) Chords Tens.Comp. A - P 686 -189
-------------------------------------------------------------------------------------------------------------------------------------------------------------------------------------	-------------------------------------------------------------------------------------------------------------------------------------------------------------------------------------------------------------------------------------------------------------------------------------------------------------	----------------------------------------------------------------------------------------------------------------------------------------------------------------------------------------------------------------------------------------------------	-------------------------------------------------------------------------------------------------------------------------------------------------------------------------------------------------------------------------------------------------------------------------------------------------	--------------------------------------------------------------------------------------------------------------------------------------------------------------------------------------------------------------------------------------------------------------------------------------------------------------------------------------------------------------------------------------------------------------------------------------------------------------------------------------------------------

Lumber

Top chord: 2x4 SP #1;
Bot chord: 2x4 SP #1;
Webs: 2x4 SP #3;

Plating Notes

All plates are 1.5X3 except as noted.

Wind

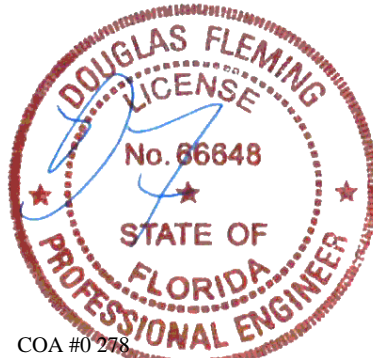
Wind loads based on MWFRS with additional C&C member design.
Right end vertical not exposed to wind pressure.
Wind loading based on both gable and hip roof types.
Gable meets L/120 deflection criteria for wind load applied to face. Calculated deflection ratio is L/414.

Additional Notes

Exposed portion of gable face shall be reinforced with sheathing and the wind pressures shall be transferred into lateral diaphragms. Connections and designs for diaphragms is the responsibility of the Building Designer in accordance with ANSI/TPI 1.

Additional Notes

See DWGS VALTN220723 and VAL180220723 for valley details.



COA #0 278
Florida Certificate of Product Approval #FL1999
10/01/2025

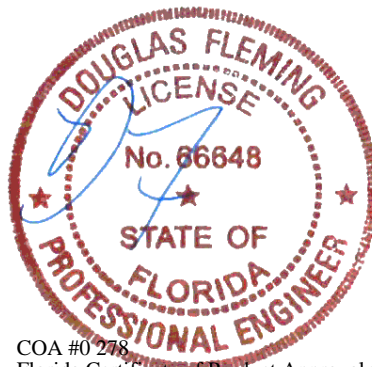
****WARNING** READ AND FOLLOW ALL NOTES ON THIS DRAWING!**
****IMPORTANT** FURNISH THIS DRAWING TO ALL CONTRACTORS INCLUDING THE INSTALLERS**
Trusses require extreme care in fabricating, handling, shipping, installing and bracing. Refer to and follow the latest edition of BCSI (Building Component Safety Information, by TPI and SBCA) for safety practices prior to performing these functions. Installers shall provide temporary bracing per BCSI. Unless noted otherwise, top chord shall have properly attached structural sheathing and bottom chord shall have a properly attached rigid ceiling. Locations shown for permanent lateral restraint of webs shall have continuous lateral restraint (CLR), installed with diagonal bracing installed on the CLR per BCSI sections B3, B7, or B10, as applicable. Apply plates to each face of truss and position as shown above and on the Joint Details, unless noted otherwise. Refer to drawings 160A-Z for standard plate positions. Refer to job's General Notes page for additional information.
Alpine, a division of ITW Building Components Group Inc. shall not be responsible for any deviation from this drawing, any failure to build the truss in conformance with ANSI/TPI 1, or for handling, shipping, installation and bracing of trusses. A seal on this drawing or cover page listing this drawing, indicates acceptance of professional engineering responsibility solely for the design shown. The suitability and use of this drawing for any structure is the responsibility of the Building Designer per ANSI/TPI 1 Sec.2.
For more information see these web sites: Alpine: alpineitw.com; TPI: tpinst.org; SBCA: sbccomponents.com; ICC: iccsafe.org; AWC: awc.org



SEQN: 69504	GABL	Ply: 1	Job Number: B61790R	Cust: R 857 JRef: 1YdU8570005 T22
FROM: SDY		Qty: 1	Gardner Residence	DrwNo: 273.25.1543.30200
Page 2 of 2			Truss Label: VL02	SSB / DF 09/30/2025

Gable Reinforcement

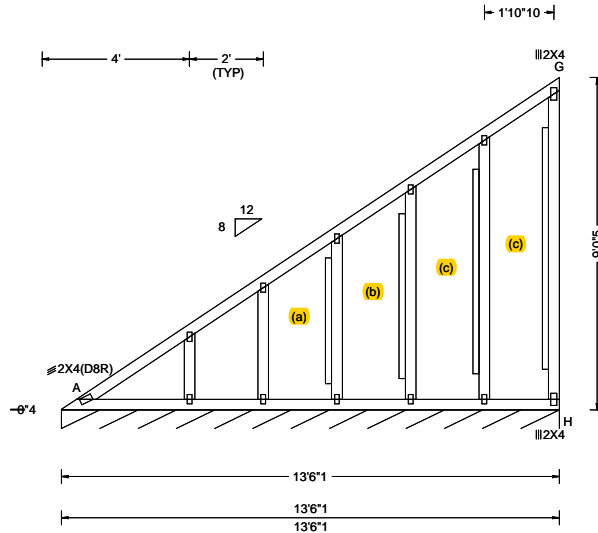
- (a) 2x3 "L" reinforcement. Same species and grade as web. 80% length of web member. Attach with 10d (0.131"x3",min.) nails @ 2" oc at each end for the first 18" and then 4" oc for the remainder.
- (b) 2x4 SP/DF #2 or better "L" reinforcement. 80% length of web member. Attach with 10d (0.131"x3",min.) nails @ 2" oc at each end for the first 18" and then 4" oc for the remainder.
- (c) 2x6 "L" reinforcement. Any species and grade. 80% length of web member. Attach with 10d (0.131"x3",min.) nails @ 2" oc at each end for the first 18" and then 4" oc for the remainder.
- (d) 2x6 "L" reinforcement. Same species and grade as web. 80% length of web member. Attach with 10d (0.131"x3",min.) nails @ 2" oc at each end for the first 18" and then 4" oc for the remainder.
- (e) 2x6 SP/DF #2 or better "L" reinforcement. 80% length of web member. Attach with 10d (0.131"x3",min.) nails @ 2" oc at each end for the first 18" and then 4" oc for the remainder.



COA #0 278
 Florida Certificate of Product Approval #FL1999
 10/01/2025

****WARNING** READ AND FOLLOW ALL NOTES ON THIS DRAWING!**
****IMPORTANT** FURNISH THIS DRAWING TO ALL CONTRACTORS INCLUDING THE INSTALLERS**
 Trusses require extreme care in fabricating, handling, shipping, installing and bracing. Refer to and follow the latest edition of BCSI (Building Component Safety Information, by TPI and SBCA) for safety practices prior to performing these functions. Installers shall provide temporary bracing per BCSI. Unless noted otherwise, top chord shall have properly attached structural sheathing and bottom chord shall have a properly attached rigid ceiling. Locations shown for permanent lateral restraint of webs shall have continuous lateral restraint (CLR), installed with diagonal bracing installed on the CLR per BCSI sections B3, B7, or B10, as applicable. Apply plates to each face of truss and position as shown above and on the Joint Details, unless noted otherwise. Refer to drawings 160A-Z for standard plate positions. Refer to job's General Notes page for additional information.
 Alpine, a division of ITW Building Components Group Inc. shall not be responsible for any deviation from this drawing, any failure to build the truss in conformance with ANSI/TPI 1, or for handling, shipping, installation and bracing of trusses. A seal on this drawing or cover page listing this drawing, indicates acceptance of professional engineering responsibility solely for the design shown. The suitability and use of this drawing for any structure is the responsibility of the Building Designer per ANSI/TPI 1 Sec.2.
 For more information see these web sites: Alpine: alpineitw.com; TPI: tpinst.org; SBCA: sbcacomponents.com; ICC: iccsafe.org; AWC: awc.org





Loading Criteria (psf) TCLL: 20.00 TCDL: 7.00 BCLL: 0.00 BCDL: 10.00 Des Ld: 37.00 NCBCLL: 10.00 Soffit: 2.00 Load Duration: 1.25 Spacing: 24.0 "	Wind Criteria Wind Std: ASCE 7-22 Speed: 140 mph Enclosure: Closed Risk Category: II EXP: C Kzt: NA Mean Height: 15.32 ft TCDL: 4.0 psf BCDL: 5.0 psf MWFRS Parallel Dist: 0 to h/2 C&C Dist a: 3.00 ft Loc. from endwall: Any GCpi: 0.18 Wind Duration: 1.60	Snow Criteria (Pg,Pf in PSF) Pg: NA Ct: NA CAT: NA Pf: NA Ce: NA Lu: NA Cs: NA Snow Duration: NA Building Code: FBC 8th Ed. 2023 Res. TPI Std: 2014 Rep Fac: Yes FT/RT:20(0)/10(0) Plate Type(s): WAVE	Defl/CSI Criteria PP Deflection in loc L/defl L/# VERT(LL): 0.005 A 999 360 VERT(CL): 0.007 A 999 240 HORZ(LL): 0.002 A - - HORZ(TL): 0.007 F - - Creep Factor: 2.0 Max TC CSI: 0.074 Max BC CSI: 0.060 Max Web CSI: 0.982 VIEW Ver: 24.02.00C.1213.15	▲ Maximum Reactions (lbs), or *=PLF Gravity Non-Gravity Loc R+ / R- / Rh / Rw / U / RL A* 77 /- /- /54 /21 /27 Wind reactions based on MWFRS A Brg Wid = 162 Min Req = - Bearing A is a rigid surface. Members not listed have forces less than 375# Maximum Top Chord Forces Per Ply (lbs) Chords Tens.Comp. A - G 172 -628
-------------------------------------------------------------------------------------------------------------------------------------------------------------------------------------	-------------------------------------------------------------------------------------------------------------------------------------------------------------------------------------------------------------------------------------------------------------------------------------------------------------	----------------------------------------------------------------------------------------------------------------------------------------------------------------------------------------------------------------------------------------------------	-------------------------------------------------------------------------------------------------------------------------------------------------------------------------------------------------------------------------------------------------------------------------------------------------	--------------------------------------------------------------------------------------------------------------------------------------------------------------------------------------------------------------------------------------------------------------------------------------------------------------------------------------------------------------------------

Lumber

Top chord: 2x4 SP #1;
Bot chord: 2x4 SP #1;
Webs: 2x4 SP #3;

Plating Notes

All plates are 1.5X3 except as noted.

Wind

Wind loads based on MWFRS with additional C&C member design.

Right end vertical not exposed to wind pressure.

Wind loading based on both gable and hip roof types.

Gable meets L/120 deflection criteria for wind load applied to face. Calculated deflection ratio is L/422.

Gable Reinforcement

(a) 2x3 "L" reinforcement. Same species and grade as web. 80% length of web member. Attach with 10d (0.131"x3",min.) nails @ 2" oc at each end for the first 18" and then 4" oc for the remainder.

(b) 2x4 SP/DF #2 or better "L" reinforcement. 80% length of web member. Attach with 10d (0.131"x3",min.) nails @ 2" oc at each end for the first 18" and then 4" oc for the remainder.

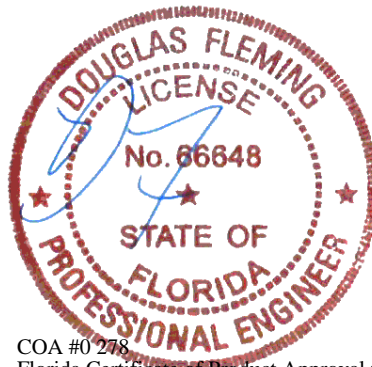
(c) 2x6 "L" reinforcement. Any species and grade. 80% length of web member. Attach with 10d (0.131"x3",min.) nails @ 2" oc at each end for the first 18" and then 4" oc for the remainder.

Additional Notes

See DWGS VALTN220723 and VAL180220723 for valley details.

Additional Notes

Exposed portion of gable face shall be reinforced with sheathing and the wind pressures shall be transferred into lateral diaphragms. Connections and designs for diaphragms is the responsibility of the Building Designer in accordance with ANSI/TPI 1.



COA #0 278
Florida Certificate of Product Approval #FL1999
10/01/2025

****WARNING** READ AND FOLLOW ALL NOTES ON THIS DRAWING!**
****IMPORTANT** FURNISH THIS DRAWING TO ALL CONTRACTORS INCLUDING THE INSTALLERS**
Trusses require extreme care in fabricating, handling, shipping, installing and bracing. Refer to and follow the latest edition of BCSI (Building Component Safety Information, by TPI and SBCA) for safety practices prior to performing these functions. Installers shall provide temporary bracing per BCSI. Unless noted otherwise, top chord shall have properly attached structural sheathing and bottom chord shall have a properly attached rigid ceiling. Locations shown for permanent lateral restraint of webs shall have continuous lateral restraint (CLR), installed with diagonal bracing installed on the CLR per BCSI sections B3, B7, or B10, as applicable. Apply plates to each face of truss and position as shown above and on the Joint Details, unless noted otherwise. Refer to drawings 160A-Z for standard plate positions. Refer to job's General Notes page for additional information.
Alpine, a division of ITW Building Components Group Inc. shall not be responsible for any deviation from this drawing, any failure to build the truss in conformance with ANSI/TPI 1, or for handling, shipping, installation and bracing of trusses. A seal on this drawing or cover page listing this drawing, indicates acceptance of professional engineering responsibility solely for the design shown. The suitability and use of this drawing for any structure is the responsibility of the Building Designer per ANSI/TPI 1 Sec.2.
For more information see these web sites: Alpine: alpineitw.com; TPI: tpinst.org; SBCA: sbcacomponents.com; ICC: iccsafe.org; AWC: awc.org

Cracked or Broken Member Repair Detail

This drawing specifies repairs for a truss with broken chord or web member.

Load Duration = 0%
Member forces may be increased for Duration of Load

This design is valid only for single ply trusses with 2x4 or 2x6 broken members. No more than one break per chord panel and no more than two breaks per truss are allowed. Contact the truss manufacturer for any repairs that do not comply with this detail.

(B) = Damaged area, 12" max length of damaged section
(L) = Minimum nailing distance on each side of damaged area (B)
(S) = Two 2x4 or two 2x6 side members, same size, grade, and species as damaged member. Apply one scab per face. Minimum side member length(s) = (2)(L) + (B)

Scab member length (S) must be within the broken panel.

Nail into 2x4 members using two (2) rows at 4" o.c., rows staggered.
Nail into 2x6 members using three (3) rows at 4" o.c., rows staggered.

Nail using 10d box or gun nails (0.128"x3", min) into each side member.

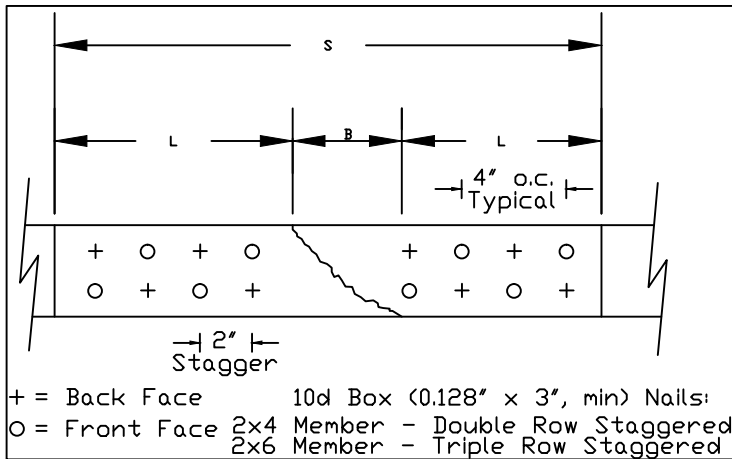
The maximum permitted lumber grade for use with this detail is limited to Visual grade #1 and MSR grade 1650f.

This repair detail may be used for broken connector plate at mid-panel splices.

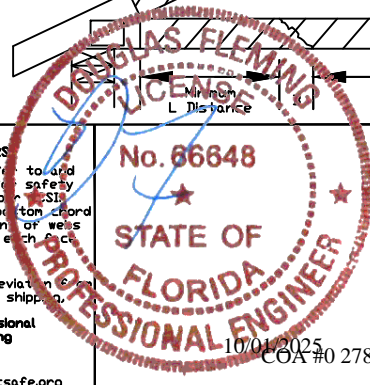
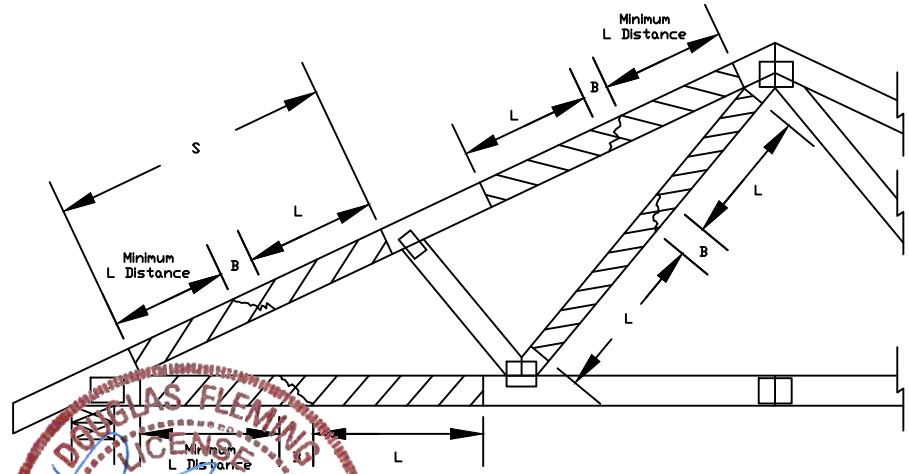
This repair detail may not be used for damaged chord or web sections occurring within the connector plate area.

Broken chord may not support any tie-in loads.

Member	Size	L	Maximum Member Axial Force			
			SPF-C	HF	DF-L	SYP
Web Only	2x4	12"	620#	635#	730#	800#
Web Only	2x4	18"	975#	1055#	1295#	1415#
Web or Chord	2x4	24"	975#	1055#	1495#	1745#
Web or Chord	2x6		1465#	1585#	2245#	2620#
Web or Chord	2x4	30"	1910#	1960#	2315#	2555#
Web or Chord	2x6		2230#	2365#	3125#	3575#
Web or Chord	2x4	36"	2470#	2530#	2930#	3210#
Web or Chord	2x6		3535#	3635#	4295#	4745#
Web or Chord	2x4	42"	2975#	3045#	3505#	3835#
Web or Chord	2x6		4395#	4500#	5225#	5725#
Web or Chord	2x4	48"	3460#	3540#	4070#	4445#
Web or Chord	2x6		5165#	5280#	6095#	6660#



Nail Spacing Detail



WARNING: READ AND FOLLOW ALL NOTES ON THIS DRAWING
IMPORTANT: FURNISH THIS DRAWING TO ALL CONTRACTORS INCLUDING THE INSTALLERS

Trusses require extreme care in fabricating, handling, shipping, installing and bracing. Refer to and follow the latest edition of BCSI (Building Component Safety Information, by TPI and SBCA) for safety practices prior to performing these functions. Installers shall provide temporary bracing per BCSI. Unless noted otherwise, top chord shall have properly attached structural sheathing and bottom chord shall have a properly attached rigid ceiling. Locations shown for permanent lateral restraint of webs shall have bracing installed per BCSI sections B3, B7 or B10, as applicable. Apply plates to each face of truss and position as shown above and on the Joint Details, unless noted otherwise. Refer to drawings 160A-Z for standard plate positions.

Alpine, a division of ITW Building Components Group Inc. shall not be responsible for any deviation of this drawing, any failure to build the truss in conformance with ANSI/TPI 1, or for handling, shipping, installation & bracing of trusses.

A seal on this drawing or cover page listing this drawing, indicates acceptance of professional engineering responsibility solely for the design shown. The suitability and use of this drawing for any structure is the responsibility of the Building Designer per ANSI/TPI 1 Sec.2.

For more information see this Job's general notes page and these web sites:
 ALPINE: www.alpineitw.com; TPI: www.tpinst.org; SBCA: www.sbcacomponents.com; ICC: www.iccsafe.org

REF	MEMBER REPAIR
DATE	10/01/14
DRWG	REPCHRD1014
SPACING	24.0" MAX

CLR Reinforcing Member Substitution

This detail is to be used when a Continuous Lateral Restraint (CLR) is specified on a truss design but an alternative web reinforcement method is desired.

Notes:

This detail is only applicable for changing the specified CLR shown on single ply sealed designs to T-reinforcement or L-reinforcement or scab reinforcement.

Alternative reinforcement specified in chart below may be conservative. For minimum alternative reinforcement, re-run design with appropriate reinforcement type.

Use scabs instead of L- or T- reinforcement on webs with intersecting truss joints, such as K-web joints, that may interfere with proper application along the narrow face of the web.

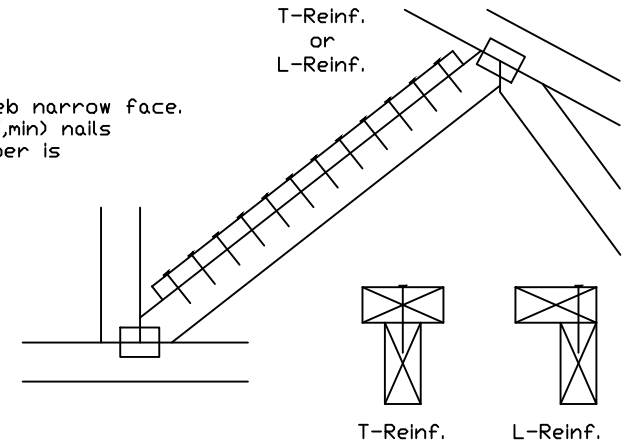
Web Member Size	Specified CLR Restraint	Alternative Reinforcement T- or L- Reinf.	Scab Reinf.
2x3 or 2x4	1 row	2x4	1-2x4
2x3 or 2x4	2 rows	2x6 or 2x4	2-2x4
2x6	1 row	2x4	1-2x6
2x6	2 rows	2x6	2-2x4(⊗)
2x8	1 row	2x6	1-2x8
2x8	2 rows	2x6	2-2x6(⊗)

T-reinforcement, L-reinforcement, or scab reinforcement to be same species and grade or better than web member unless specified otherwise on Engineer's sealed design.

(⊗) Center scab on wide face of web. Apply (1) scab to each face of web.

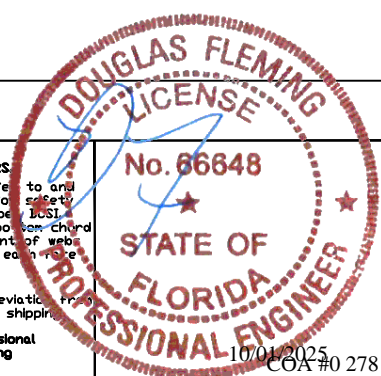
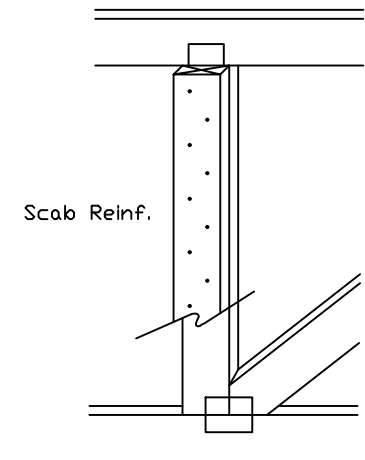
T-Reinforcement or L-Reinforcement:

Apply to either side of web narrow face. Attach with 10d (0.128"x3.0",min) nails at 6" o.c. Reinforcing member is a minimum 80% of web member length.



Scab Reinforcement:

Apply scab(s) to wide face of web. No more than (1) scab per face. Attach with 10d (0.128"x3.0",min) nails at 6" o.c. Reinforcing member is a minimum 80% of web member length.



155 Harlem Ave
North Building, 4th Floor
Glenview, IL 60025

WARNING: READ AND FOLLOW ALL NOTES ON THIS DRAWING
IMPORTANT: FURNISH THIS DRAWING TO ALL CONTRACTORS INCLUDING THE INSTALLERS.
 Trusses require extreme care in fabricating, handling, shipping, installing and bracing. Refer to and follow the latest edition of BCSI (Building Component Safety Information, by TPI and SBCA) for safety practices prior to performing these functions. Installers shall provide temporary bracing per BCSI. Unless noted otherwise, top chord shall have properly attached structural sheathing and bottom chord shall have a properly attached rigid ceiling. Locations shown for permanent lateral restraint of webs shall have bracing installed per BCSI sections B3, B7 or B10, as applicable. Apply plates to each face of truss and position as shown above and on the Joint Details, unless noted otherwise. Refer to drawings 150A-Z for standard plate positions.
 Alpine, a division of ITW Building Components Group Inc. shall not be responsible for any deviation from this drawing, any failure to build the truss in conformance with ANSI/TPI 1, or for handling, shipping, installation & bracing of trusses.
 A seal on this drawing or cover page listing this drawing, indicates acceptance of professional engineering responsibility solely for the design shown. The suitability and use of this drawing for any structure is the responsibility of the Building Designer per ANSI/TPI 1 Sec.2.
 For more information see this Job's general notes page and these web sites:
 ALPINE: www.alpineitw.com; TPI: www.tpinst.org; SBCA: www.sbcacomponents.com; ICC: www.iccsafe.org

TC LL	PSF	REF CLR Subst.
TC DL	PSF	DATE 01/02/19
BC DL	PSF	DRWG BRCLBSUB0119
BC LL	PSF	
TOT. LD.	PSF	
DUR. FAC.		
SPACING		

Piggyback Detail - ASCE 7-22: 160 mph, 30' Mean Height, Enclosed, Exposure C, Kzt=1.00

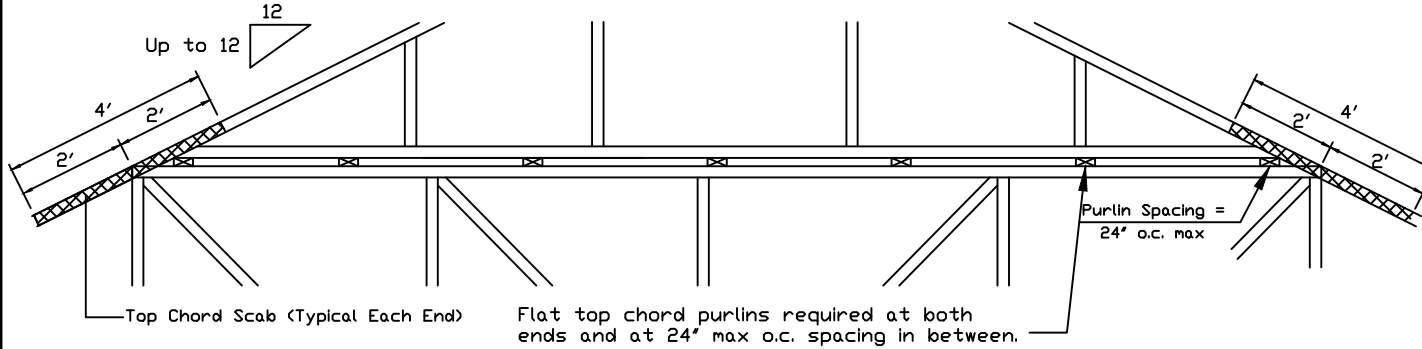
160 mph Wind, 30.00 ft Mean Hgt, ASCE 7-22, Enclosed Bldg. located anywhere in roof, Exp C, Wind DL= 5.0 psf (min), Kzt=1.0.
 Or 140 mph wind, 30.00 ft Mean Hgt, ASCE 7-22, Enclosed Bldg. located anywhere in roof, Exp D, wind DL= 5.0 psf (min), Kzt=1.0.

Note: Top chords of trusses supporting piggyback cap trusses must be adequately braced by sheathing or purlins. The building designer shall provide diagonal bracing or any other suitable anchorage to permanently restrain purlins, and lateral bracing for out of plane loads over gable ends.

Maximum truss spacing is 24' o.c. Detail is not applicable if cap supports additional loads such as cupola, steeple, chimney or drag strut loads.

** Refer to Engineer's sealed truss design drawing for piggyback and base truss specifications.

Detail A : Purlin Spacing = 24" o.c. or less

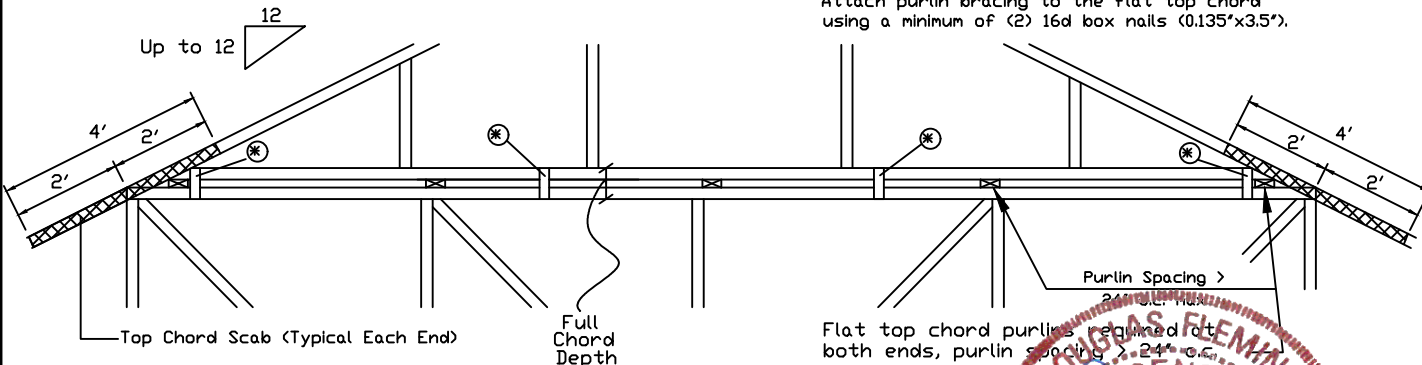


Piggyback cap truss slant nailed to all top chord purlin bracing with (2) 16d box nails (0.135"x3.5") and secure top chord with 2x4 #3 grade scab (1 side only at each end) attached with 2 rows of 10d box nails (0.128"x3") at 4' o.c.

Attach purlin bracing to the flat top chord using (2) 16d box nails (0.135"x3.5").

The top chord #3 grade 2x4 scab may be replaced with either of the following: (1) 3X8 Trulox plate attached with (8) 0.120"x1.375" nails, (4) into cap TC & (4) into base truss TC or (1) 28PB wave piggyback plate plated to the piggyback truss TC and attached to the base truss TC with (4) 0.120"x1.375" nails. Note: Nailing thru holes of wave plate is acceptable.

Detail B : Purlin Spacing > 24" o.c.



Piggyback cap truss slant nailed to all top chord purlin bracing with (2) 16d box nails (0.135"x3.5") and secure top chord with 2x4 #3 grade scab (1 side only at each end) attached with 2 rows of 10d box nails (0.128"x3") at 4' o.c.

Attach purlin bracing to the flat top chord using a minimum of (2) 16d box nails (0.135"x3.5").

Note: If purlins or sheathing are not specified on the flat top of the base truss, purlins must be installed at 24' o.c. max. and use Detail A.

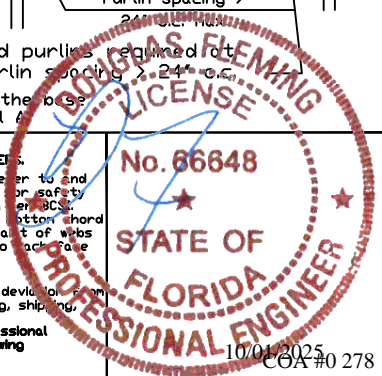
* In addition, provide connection with one of the following methods:

- Trulox**
Use 3X8 Trulox plates for 2x4 chord member, and 3X10 Trulox plates for 2x6 and larger chord members. Attach to each face @ 8' o.c. with (4) 0.120"x1.375" nails into cap bottom chord and (4) in base truss top chord. Trulox plates may be staggered 4' o.c. front to back faces.
- APA Rated Gusset**
8"x8"x7/16" (min) APA rated sheathing gussets (each face). Attach @ 8' o.c. with (8) 6d common (0.113"x2") nails per gusset, (4) in cap bottom chord and (4) in base truss top chord. Gussets may be staggered 4' o.c. front to back faces.
- 2x4 Vertical Scabs**
2x4 SPF #2, full chord depth scabs (each face). Attach @ 8' o.c. with (6) 10d box nails (0.128"x3") per scab, (3) in cap bottom chord and (3) in base truss top chord. Scabs may be staggered 4' o.c. front to back faces.
- 28PB Wave Piggyback Plate**
One 28PB wave piggyback plate to each face @ 8' o.c. Attach teeth to piggyback at time of fabrication. Attach to supporting truss with (4) 0.120"x1.375" nails per face per ply. Piggyback plates may be staggered 4' o.c. front to back faces.



155 Harlem Ave
North Building, 4th Floor
Glenview, IL 60025

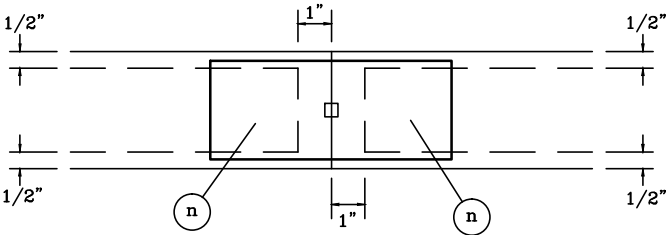
WARNING: READ AND FOLLOW ALL NOTES ON THIS DRAWING
IMPORTANT: FURNISH THIS DRAWING TO ALL CONTRACTORS INCLUDING THE INSTALLERS.
 Trusses require extreme care in fabricating, handling, shipping, installing and bracing. Refer to and follow the latest edition of BCSI (Building Component Safety Information, by TPI and SBCA) or safety practices prior to performing these functions. Installers shall provide temporary bracing per BCSI. Unless noted otherwise, top chord shall have properly attached structural sheathing and bottom chord shall have a properly attached rigid ceiling. Locations shown for permanent lateral restraint of webs shall have bracing installed per BCSI sections B3, B7 or B10, as applicable. Apply plates to each face of truss and position as shown above and on the Joint Details, unless noted otherwise. Refer to drawings 160A-Z for standard plate positions.
 Alpine, a division of ITW Building Components Group Inc. shall not be responsible for any deviation from this drawing, any failure to build the truss in conformance with ANSI/TPI 1, or for handling, shipping, installation & bracing of trusses.
 A seal on this drawing or cover page listing this drawing, indicates acceptance of professional engineering responsibility solely for the design shown. The suitability and use of this drawing for any structure is the responsibility of the Building Designer per ANSI/TPI 1 Sec.2.
 For more information see this Job's general notes page and these web sites:
 ALPINE: www.alpineitw.com; TPI: www.tpinst.org; SBCA: www.sbcacomponents.com; ICC: www.iccsafe.org



REF	PIGGYBACK
DATE	07/03/2023
DRWG	PB160220723
SPACING	24.0"

TRULOX INFORMATION DETAIL

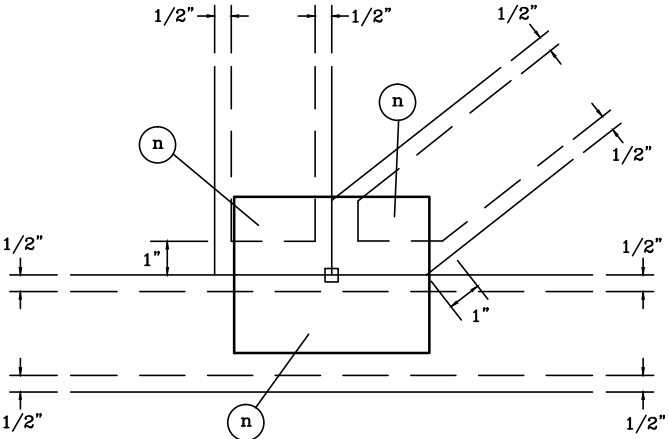
TYPICAL OFF PANEL SPLICE



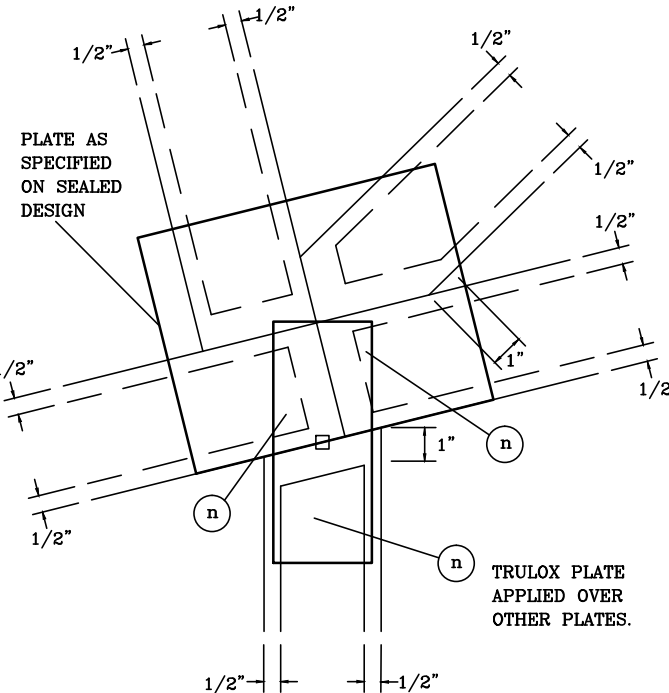
DO NOT APPLY NAILS WITHIN 1/2" OF LUMBER EDGES OR 1" OF LUMBER ENDS ON EACH FACE, AS SHOWN BY DASHED LINES.

NAILS MUST NOT SPLIT LUMBER.

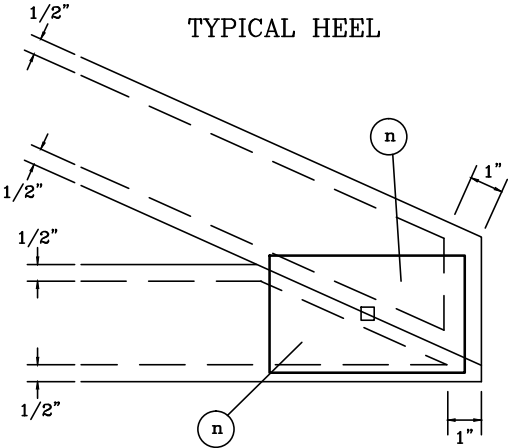
TYPICAL PANEL POINT WITHOUT SPLICE



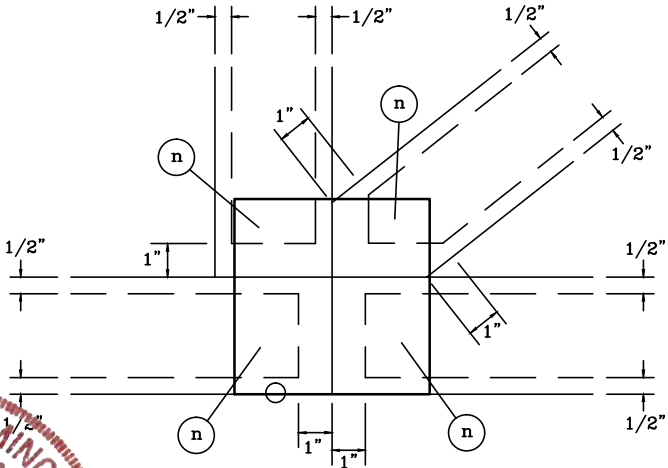
TYPICAL FILLER



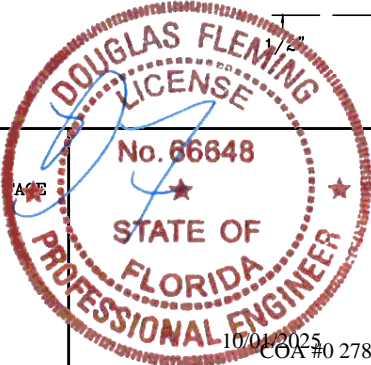
TYPICAL HEEL



TYPICAL PANEL POINT SPLICE



NOTES:
 (n) IS THE REQUIRED NUMBER OF 0.120" X 1.375" NAILS, OR EQUAL, PER PLY AS SPECIFIED ON THE SEALED DESIGN REFERENCING THIS DETAIL.
 ○ LOCATES PLATE CORNER OR FLUSH EDGE.
 □ LOCATES PLATE CENTER.



TRULOX PLATING
160 TL
PAGE 1 OF 1
DATE 10/01/14