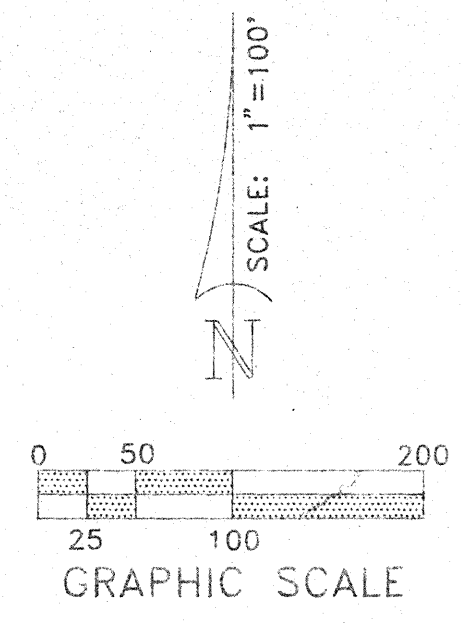
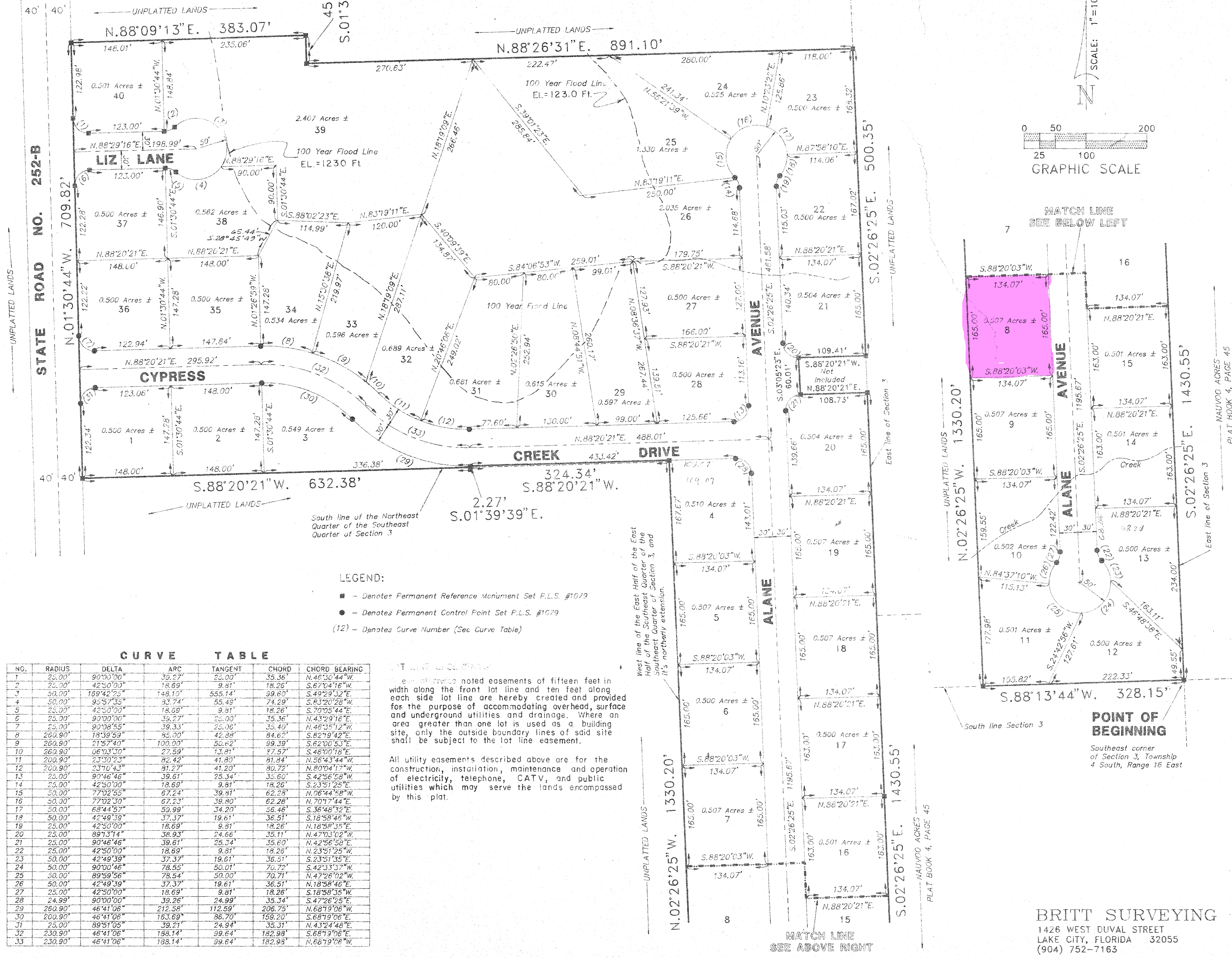


# 'CYPRESS CREEK SUBDIVISION'

BEING IN SECTION 3, TOWNSHIP 4 SOUTH, RANGE 16 EAST, COLUMBIA COUNTY, FLORIDA



- LEGEND:**
- - Denotes Permanent Reference Monument Set P.L.S. #1079
  - - Denotes Permanent Control Point Set P.L.S. #1079
  - (12) - Denotes Curve Number (See Curve Table)

**CURVE TABLE**

NO.	RADIUS	DELTA	ARC	TANGENT	CHORD	CHORD BEARING
1	25.00'	90°00'00"	39.27'	25.00'	35.36'	N.46°30'44"W
2	25.00'	42°50'00"	18.69'	9.81'	18.26'	S.67°04'16"W
3	50.00'	189°42'25"	148.10'	55.14'	99.60'	S.49°29'32"E
4	50.00'	95°57'35"	33.74'	55.49'	74.29'	S.83°20'28"W
5	25.00'	42°50'00"	18.69'	9.81'	18.26'	S.70°05'44"E
6	25.00'	90°00'00"	39.27'	25.00'	35.36'	N.43°29'16"E
7	25.00'	90°08'55"	39.33'	25.06'	33.40'	N.46°35'12"W
8	260.90'	18°39'59"	95.00'	42.88'	84.62'	S.82°19'42"E
9	260.90'	21°57'40"	100.00'	50.62'	99.39'	S.62°00'53"E
10	260.90'	06°03'30"	27.59'	13.81'	27.57'	S.48°00'18"E
11	200.90'	23°30'23"	82.42'	41.80'	81.84'	N.56°43'44"W
12	200.90'	23°10'43"	81.27'	41.20'	80.72'	N.60°04'17"W
13	25.00'	90°46'46"	39.61'	25.34'	35.60'	S.42°56'58"W
14	25.00'	42°50'00"	18.69'	9.81'	18.26'	S.23°51'25"E
15	50.00'	77°02'55"	67.24'	39.81'	62.28'	N.06°44'58"W
16	50.00'	77°02'30"	67.23'	39.80'	62.28'	N.70°17'44"E
17	50.00'	68°44'57"	59.99'	34.20'	56.46'	S.36°48'32"E
18	50.00'	42°49'39"	37.37'	19.61'	36.51'	S.18°58'46"W
19	25.00'	42°50'00"	18.69'	9.81'	18.26'	N.18°58'35"E
20	25.00'	89°13'14"	36.93'	24.66'	35.11'	N.47°03'02"W
21	25.00'	90°46'46"	39.61'	25.34'	35.60'	N.42°56'58"E
22	25.00'	42°50'00"	18.69'	9.81'	18.26'	N.23°51'25"W
23	50.00'	42°49'39"	37.37'	19.61'	36.51'	S.23°51'35"E
24	50.00'	90°00'46"	78.55'	50.01'	70.72'	S.42°33'37"W
25	50.00'	89°59'56"	78.54'	50.00'	70.71'	N.47°26'02"W
26	50.00'	42°49'39"	37.37'	19.61'	36.51'	N.18°58'46"E
27	25.00'	42°50'00"	18.69'	9.81'	18.26'	S.18°58'35"W
28	24.99'	90°00'00"	39.26'	24.99'	35.34'	S.47°26'25"E
29	260.90'	46°41'06"	212.58'	112.59'	206.75'	N.68°19'06"W
30	200.90'	46°41'06"	163.69'	86.70'	158.20'	S.68°19'06"E
31	25.00'	89°51'05"	39.21'	24.94'	35.31'	N.43°24'48"E
32	230.90'	46°41'06"	188.14'	99.64'	182.98'	S.68°19'06"E
33	230.90'	46°41'06"	188.14'	99.64'	182.98'	N.68°19'06"W

NOTE: The easements of fifteen feet in width along the front lot line and ten feet along each side lot line are hereby created and provided for the purpose of accommodating overhead, surface and underground utilities and drainage. Where an area greater than one lot is used as a building site, only the outside boundary lines of said site shall be subject to the lot line easement.

All utility easements described above are for the construction, installation, maintenance and operation of electricity, telephone, CATV, and public utilities which may serve the lands encompassed by this plat.



**BRITT SURVEYING**  
1426 WEST DUVAL STREET  
LAKE CITY, FLORIDA 32055  
(904) 752-7163

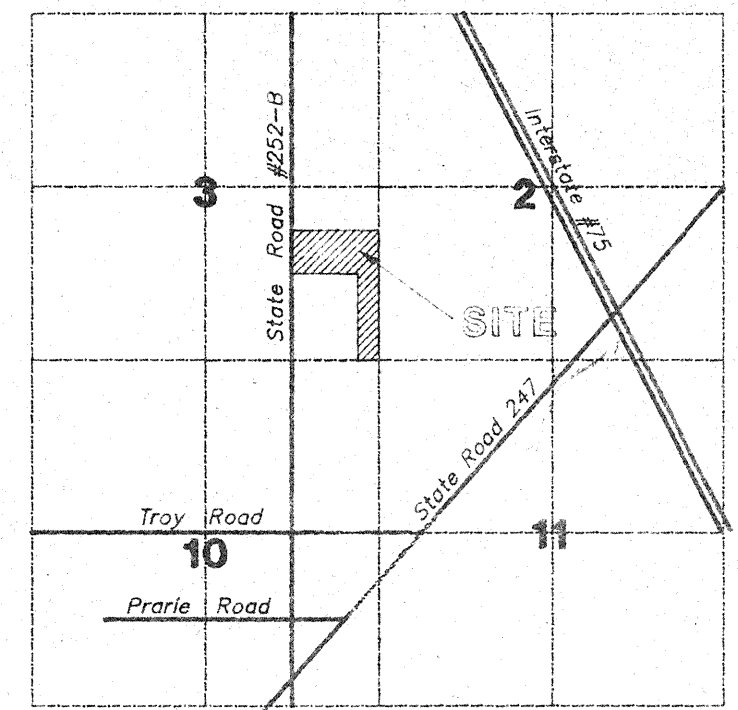
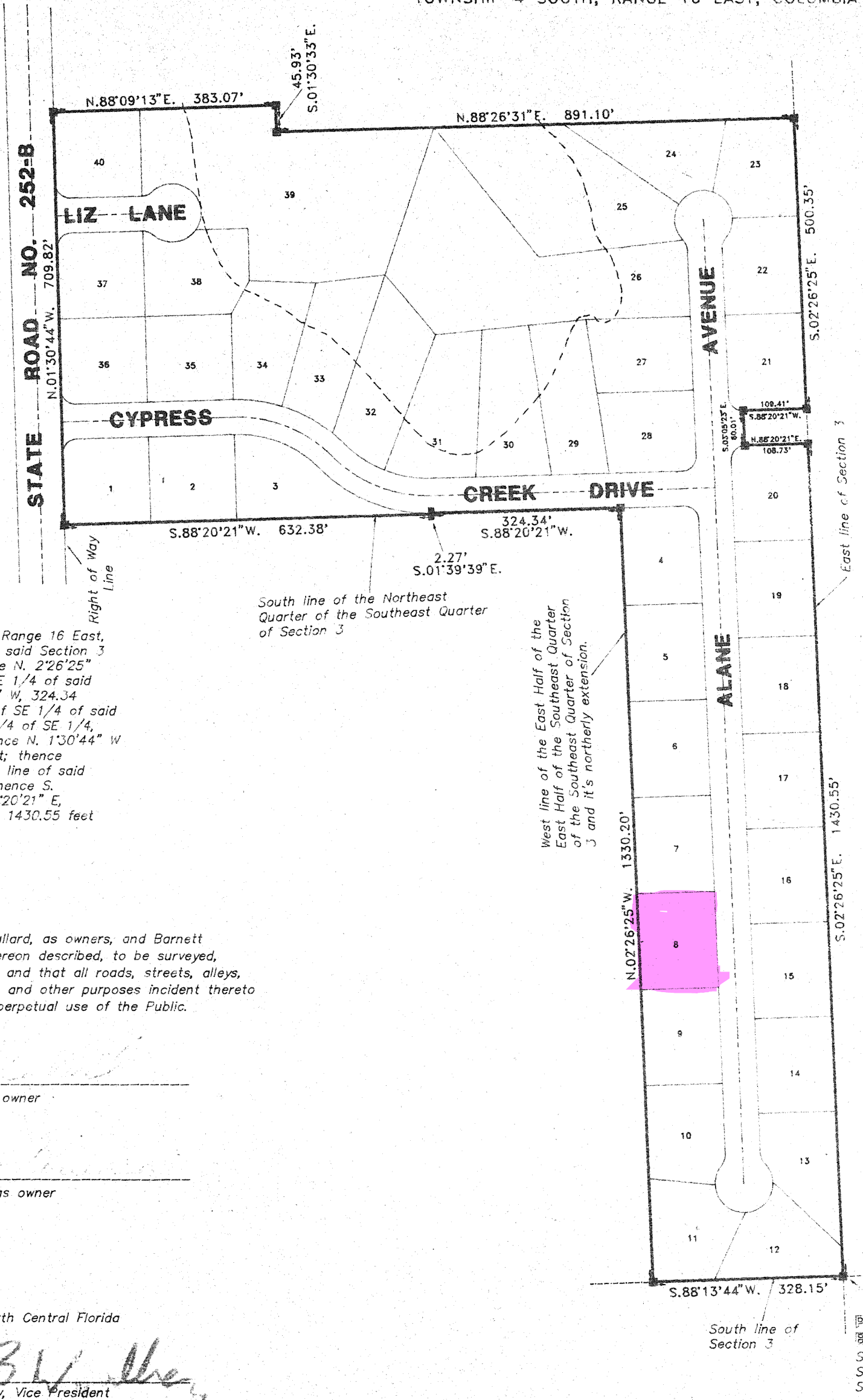
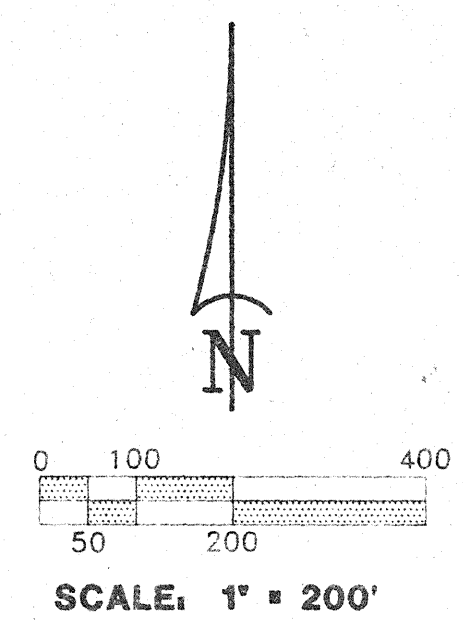
PLAT BOOK 4, PAGE 45

PLAT BOOK 4, PAGE 45

# "CYPRESS CREEK SUBDIVISION"

BEING A PORTION OF THE SOUTH QUARTER OF SECTION 3,  
TOWNSHIP 4 SOUTH, RANGE 16 EAST, COLUMBIA COUNTY, FLORIDA

OFFICIAL RECORDS  
BOOK 809 PAGE 2364



**DESCRIPTION:**

A part of the East 1/2 of the SE 1/4 of Section 3, Township 4 South, Range 16 East, more particularly described as follows: Begin at the Southeast corner of said Section 3 and run S. 88°13'44" W along the South line thereof, 328.15 feet; thence N. 2°26'25" W along the West line of the East 1/2 of East 1/2 of the SE 1/4 of SE 1/4 of said Section 3, and its northerly extension, 1330.20 feet; thence S. 88°20'21" W, 324.34 feet; thence S. 1°39'39" E, 2.27 feet to the South line of the NE 1/4 of SE 1/4 of said Section 3; thence S. 88°20'21" W along the South line of the said NE 1/4 of SE 1/4, 532.39 feet to the East right-of-way line of State Road # 252-B; thence N. 1°30'44" W along said right-of-way 709.82 feet; thence N. 88°09'13" E, 383.07 feet; thence S. 1°30'33" E, 45.93 feet; thence N. 88°26'31" E, 891.10 feet to the East line of said Section 3; thence S. 2°26'25" E along the said East line 500.35 feet; thence S. 88°20'21" W, 108.41 feet; thence S. 3°05'23" E, 60.01 feet; thence N. 88°20'21" E, 108.73 feet; thence S. 2°26'25" E along the said East line of Section 3, 1430.55 feet to the Point of Beginning, Columbia County, Florida.

Containing 29.75 acres more or less.

**DEDICATION:**

Know all Men by these presents that Chris A. Bullard and Audrey S. Bullard, as owners, and Barnett Bank of North Central Florida, as mortgagees, has caused the lands hereon described, to be surveyed, subdivided and platted, to be known as "CYPRESS CREEK SUBDIVISION", and that all roads, streets, alleys, creeks and other right of ways and all easements for utilities, drainage and other purposes incident thereto as shown and/or depicted hereon are hereby dedicated to the to the perpetual use of the Public.

**Attest:**

Witness as to owner: Chris A. Bullard, as owner  
 Witness as to owner: Audrey S. Bullard, as owner  
 Witness as to owner: \_\_\_\_\_  
 Witness as to owner: \_\_\_\_\_

**Attest:**

Paula J. Land Barnett Bank of North Central Florida  
 Witness as to Mortgagee  
Edward B. Woodbery Edward B. Woodbery, Vice President  
 Witness as to Mortgagee

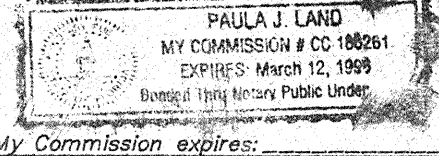
**ACKNOWLEDGEMENT: STATE OF FLORIDA, COUNTY OF COLUMBIA.**

I hereby certify that on this \_\_\_\_\_ day of \_\_\_\_\_, 1995, A.D., before me personally appeared Chris A. Bullard and Audrey S. Bullard, to me known to be the persons described in and who executed the foregoing dedication and acknowledged the execution thereof to be their free act and deed for the uses and purposes therein expressed. In witness whereof I have set my hand and seal on the above date.

\_\_\_\_\_  
Notary Public, State of Florida at Large

**ACKNOWLEDGEMENT: STATE OF FLORIDA, COUNTY OF COLUMBIA**

I, hereby certify on this 5th day of June, 1995, A.D., before me personally appeared Edward B. Woodbery, Vice President of Barnett Bank of North Central Florida, to me known to be the person described in and who executed the foregoing dedication and acknowledged the execution thereof to be his free act and deed for the uses and purposes therein expressed. In witness whereof I have set my hand and seal on the above date.



Paula J. Land  
Notary Public, State of Florida at Large

My Commission expires: \_\_\_\_\_

## BOUNDARY SURVEY

**SURVEYOR'S NOTES:**

- Preliminary Plan approved on June 1, 1994. Extended to June 1, 1996. Closure is 1:40,000.
- Bearings based on an assumed meridian. South line of the South Quarter of Section 34 = S.88°47'06"W.
- Some portions of this parcel is in Zone "A" and may be subject to flooding. Some portions of this parcel is in zone "X" and is determined to be outside the 500 year flood plain as per Flood Insurance Rate Map dated 6 January 1988, Community Panel No. 12C070 0175 B.
- There may be additional restrictions that are not recorded on this plat that may be found in the Public Records of this County.
- Flood elevation shown hereon was established by Curtis Keen P.E. No. 23836, from U.S.C. & G.S. datum.

Curtis Keen  
Curtis Keen P.E. No. 23836

**COUNTY ATTORNEY CERTIFICATE:**

I hereby certify that I have examined the foregoing plat and that it complies in form with the Columbia County Subdivision Ordinance and Chapter 177 of the Florida Statutes.

Date: 7/20/95 Marlin Seagle  
County Attorney

**APPROVAL: STATE OF FLORIDA, COUNTY OF COLUMBIA.**

This plat is hereby approved by the Columbia County Commission this 3rd day of August, 1995, A.D.  
Ludie Shipp  
Chairman

**PUBLIC WORKS DIRECTOR, COLUMBIA COUNTY, FLORIDA.**

I hereby certify that the improvements have been constructed in an acceptable manner and in accordance with County Specifications or that a performance bond or instrument in the amount of \$ \_\_\_\_\_ has been posted to assure completion of all required improvements and maintenance in case of default.

Date: 8-15-95 Jerry Brooks  
Public Works Directors

**CERTIFICATE OF CLERK:**

This plat having been approved by the Columbia County Board of County Commissioners is accepted for files and recorded this 29 day of August, 1995, A.D., in Plat Book 6, Pages 128-129.

P. Dewitt Carson  
Clerk of Court, Columbia County, Florida

**SURVEYORS CERTIFICATE:**

I hereby certify that this survey was made under my responsible direction and supervision and is a correct representation of the land surveyed and that the Permanent Reference Points have been set and that the survey data and monumentation complies with Columbia County Subdivision Ordinance and Chapter 177 of the Florida Statutes.

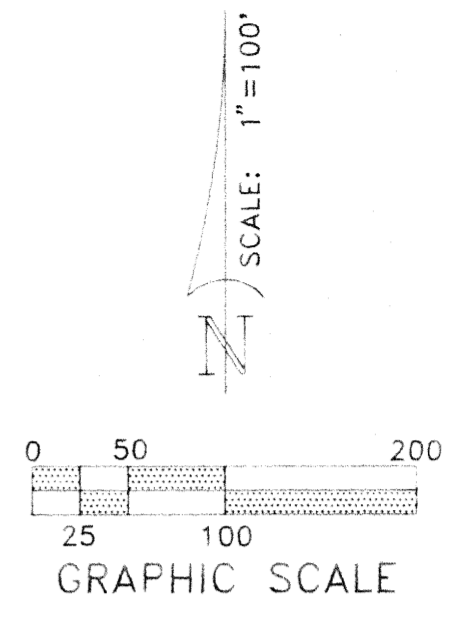
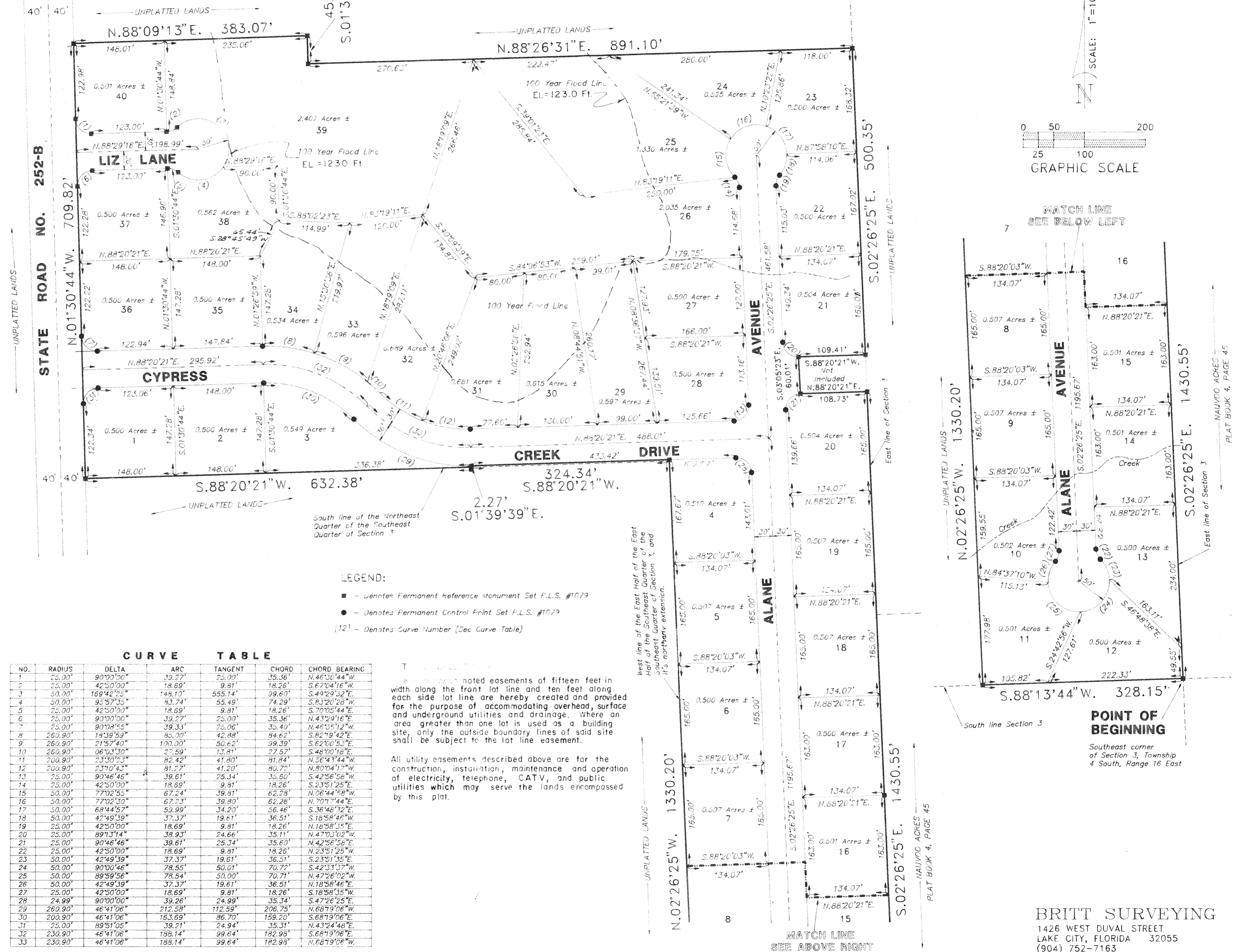
Date of Survey: \_\_\_\_\_ Lauren E. Britt, Professional Land Surveyor  
Florida Certificate No. 1079.

FILE NUMBER 95-11002  
FILED AND RECORDED IN THE OFFICIAL RECORDS  
OF COLUMBIA COUNTY, FLORIDA  
Aug 29 1995 AT 4:36 O'CLOCK P.M.  
RECORD VERIFIED  
P. Dewitt Carson  
CLERK OF COURTS  
COLUMBIA COUNTY, FLORIDA  
BY: Paul R. Harder D.C.

**BRITT SURVEYING**  
1426 WEST DUVAL STREET  
LAKE CITY, FLORIDA 32055  
(904) 752-7163

# "CYPRESS CREEK SUBDIVISION"

BEING IN SECTION 3, TOWNSHIP 4 SOUTH, RANGE 16 EAST, COLUMBIA COUNTY, FLORIDA



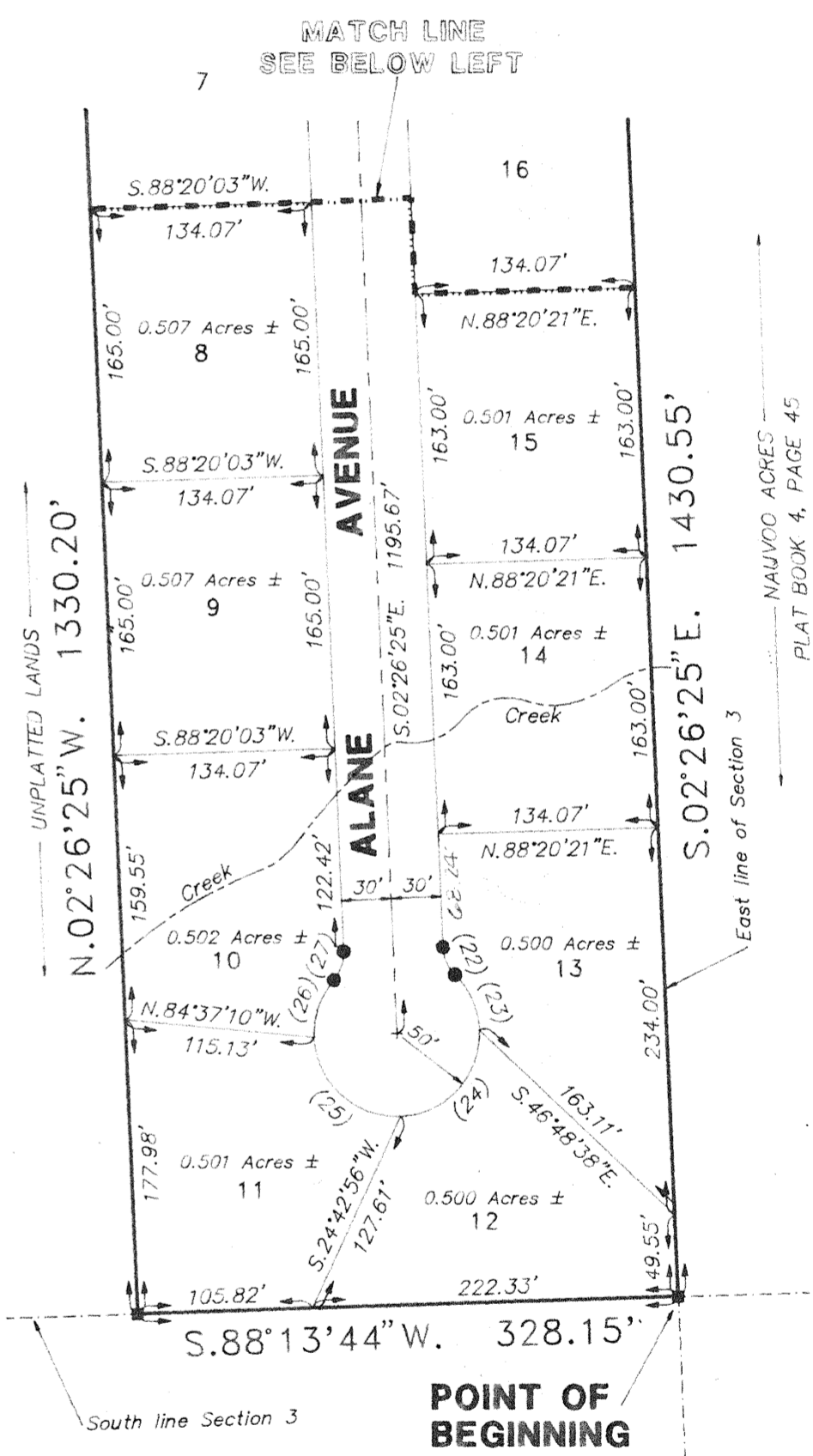
**CURVE TABLE**

NO.	RADIUS	DELTA	ARC	TANGENT	CHORD	CHORD BEARING
1	25.00'	90°00'00"	39.27'	39.27'	55.36'	N.46°30'44"W
2	25.00'	42°50'00"	18.69'	9.81'	18.26'	S.67°04'16"W
3	50.00'	169°42'25"	148.10'	555.14'	99.60'	S.49°29'32"E
4	50.00'	95°57'35"	53.74'	55.49'	74.29'	S.83°20'28"W
5	25.00'	42°50'00"	18.69'	9.81'	18.26'	S.70°05'44"E
6	25.00'	90°00'00"	39.27'	25.00'	35.36'	N.43°29'16"E
7	25.00'	90°08'55"	39.33'	25.06'	35.40'	N.46°35'12"W
8	260.90'	18°39'59"	85.00'	42.88'	84.62'	S.82°19'42"E
9	260.90'	21°57'40"	100.00'	50.62'	99.39'	S.62°00'53"E
10	260.90'	06°03'30"	27.59'	13.81'	27.57'	S.48°00'18"E
11	200.90'	23°30'23"	82.42'	41.80'	81.84'	N.56°43'44"W
12	200.90'	23°10'43"	81.77'	41.20'	80.72'	N.80°04'17"W
13	25.00'	90°46'46"	39.61'	25.34'	35.60'	S.42°56'58"W
14	25.00'	42°50'00"	18.69'	9.81'	18.26'	S.23°51'25"E
15	50.00'	77°02'55"	67.24'	39.81'	62.28'	N.06°44'58"W
16	50.00'	77°02'30"	67.23'	39.80'	62.28'	N.70°17'44"E
17	50.00'	68°44'57"	59.99'	34.20'	56.46'	S.36°48'32"E
18	50.00'	42°49'39"	37.37'	19.61'	36.51'	S.18°58'46"W
19	25.00'	42°50'00"	18.69'	9.81'	18.26'	N.18°58'35"E
20	25.00'	89°13'14"	39.93'	24.66'	35.11'	N.47°03'02"W
21	25.00'	90°46'46"	39.61'	25.34'	35.60'	N.42°56'55"E
22	25.00'	42°50'00"	18.69'	9.81'	18.26'	N.23°51'25"W
23	50.00'	42°49'39"	37.37'	19.61'	36.51'	S.23°51'35"W
24	50.00'	90°00'46"	78.55'	50.01'	70.72'	S.42°33'37"W
25	50.00'	89°59'58"	78.54'	50.00'	70.71'	N.47°26'02"W
26	50.00'	42°49'39"	37.37'	19.61'	36.51'	N.18°58'46"E
27	25.00'	42°50'00"	18.69'	9.81'	18.26'	S.18°58'35"E
28	24.99'	90°00'00"	39.26'	24.99'	35.34'	S.47°26'25"E
29	260.90'	46°41'06"	212.58'	112.59'	206.75'	N.68°19'06"W
30	200.90'	46°41'06"	163.69'	86.70'	159.20'	S.68°19'06"E
31	25.00'	89°51'05"	39.21'	24.94'	35.31'	N.43°24'48"E
32	230.90'	46°41'06"	186.14'	99.64'	182.93'	S.68°19'06"E
33	230.90'	46°41'06"	186.14'	99.64'	182.93'	N.68°19'06"W

**LEGEND:**  
 ■ - Denotes Permanent Reference Monument Set P.L.S. #1079  
 ● - Denotes Permanent Control Point Set P.L.S. #1079  
 (12) - Denotes Curve Number (See Curve Table)

Notations noted easements of fifteen feet in width along the front lot line and ten feet along each side lot line are hereby created and provided for the purpose of accommodating overhead, surface and underground utilities and drainage. Where an area greater than one lot is used as a building site, only the outside boundary lines of said site shall be subject to the lot line easement.

All utility easements described above are for the construction, installation, maintenance and operation of electricity, telephone, CATV, and public utilities which may serve the lands encompassed by this plat.



**BRITT SURVEYING**  
 1426 WEST DUVAL STREET  
 LAKE CITY, FLORIDA 32055  
 (904) 752-7163