

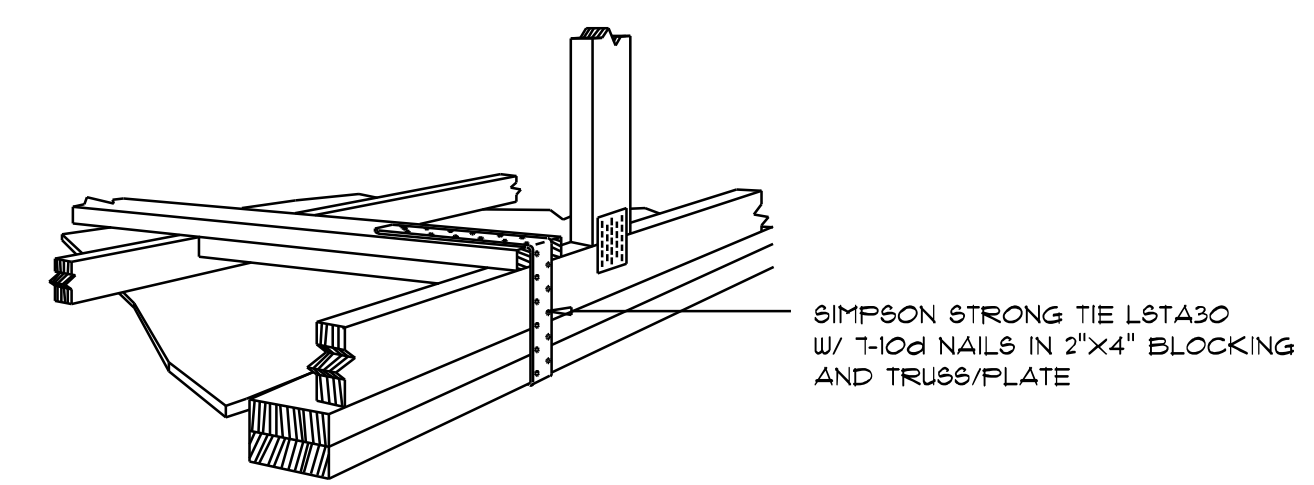
REVISIONS
Aug. 19th, 2021

CUSTOM HOME FOR:
GARY & RACHEL LIBERTY
 COLUMBIA COUNTY, FLORIDA

NICHOLAS PAUL GEISLER ARCHITECT
 115 NW Bruce Rd.
 Lake City, FL 32055

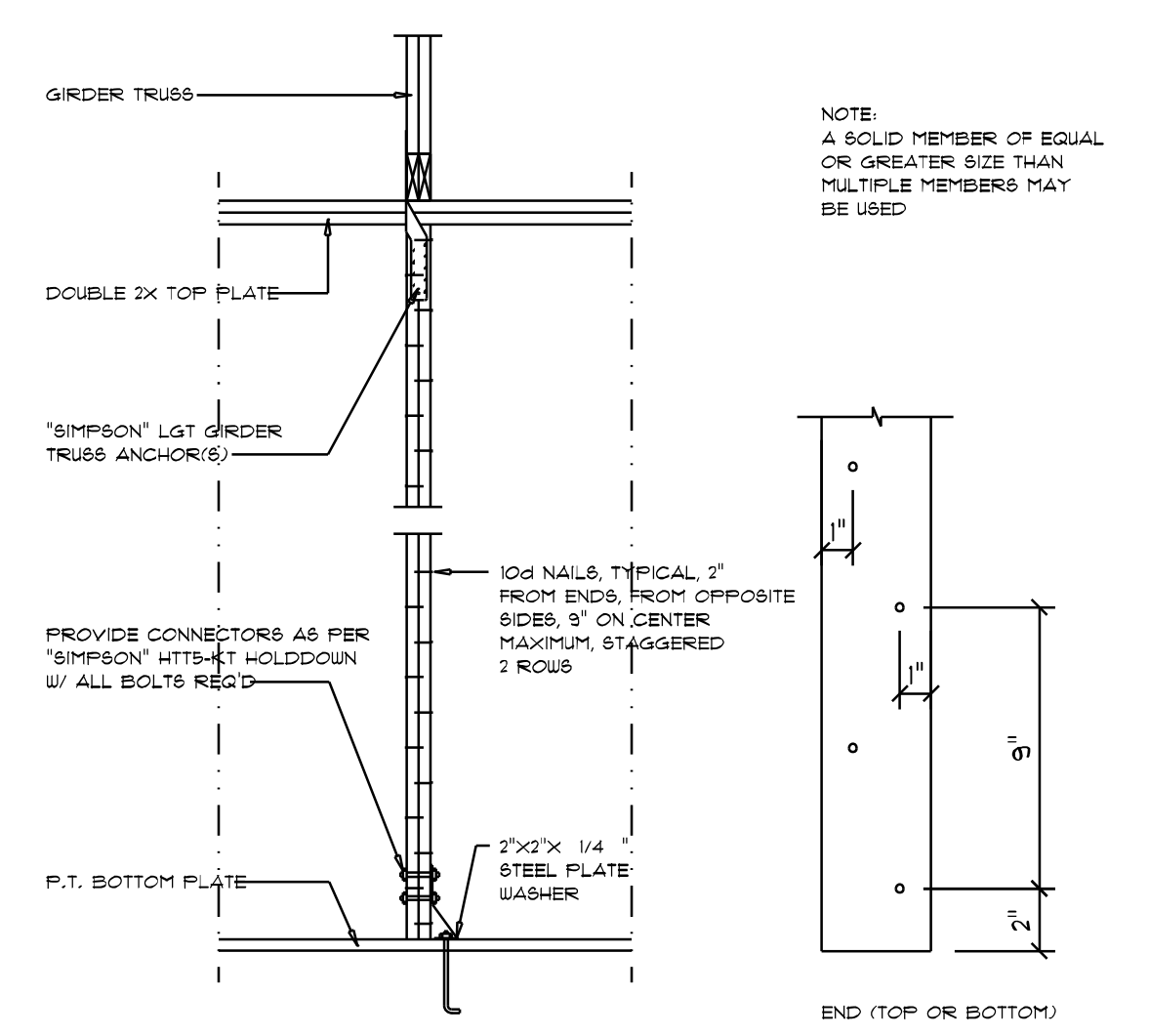
SHEET NUMBER
S.4
 OF 4 SHEETS

Nicholas P. Geisler
 CN = Nicholas P. Geisler
 email = ngeisler47@gmail.com
 com C = US O = Nicholas P. Geisler
 2021.08.20 14:00:09 -05'00'
 AR0007005

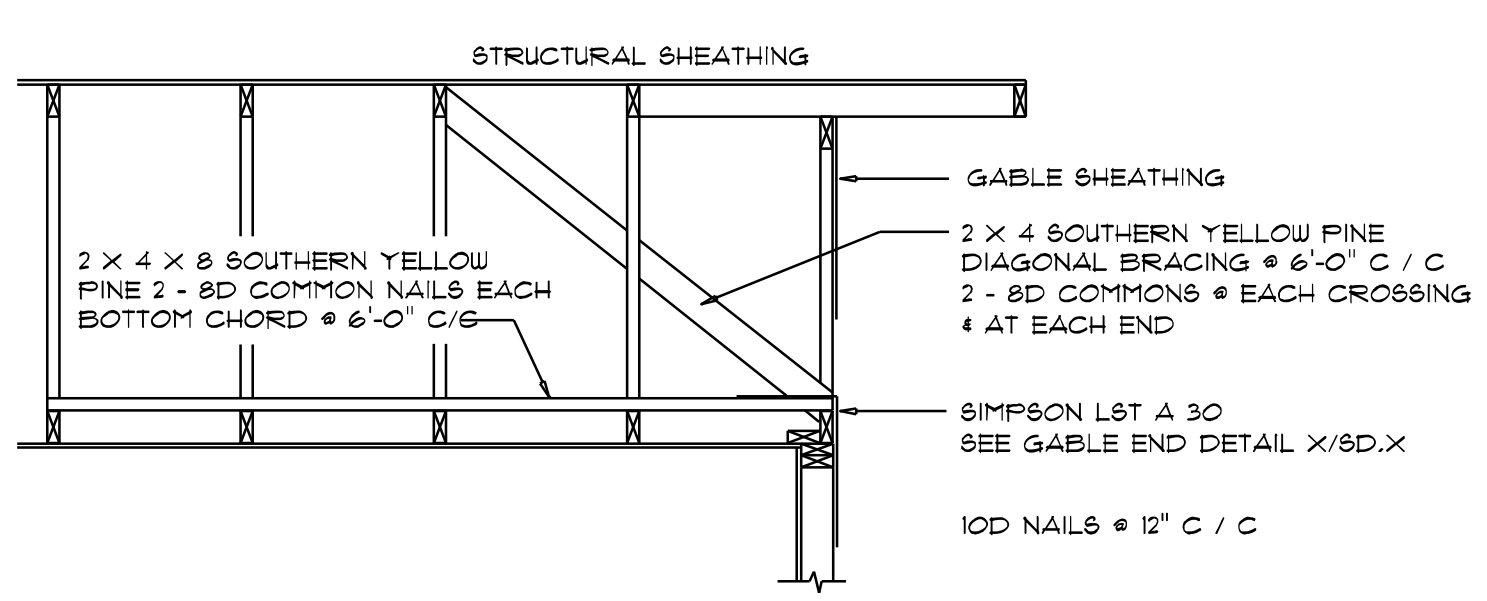


GABLE END GYPSUM DIAPHRAGM HOLDDOWN CONNECTOR
 SCALE: NONE

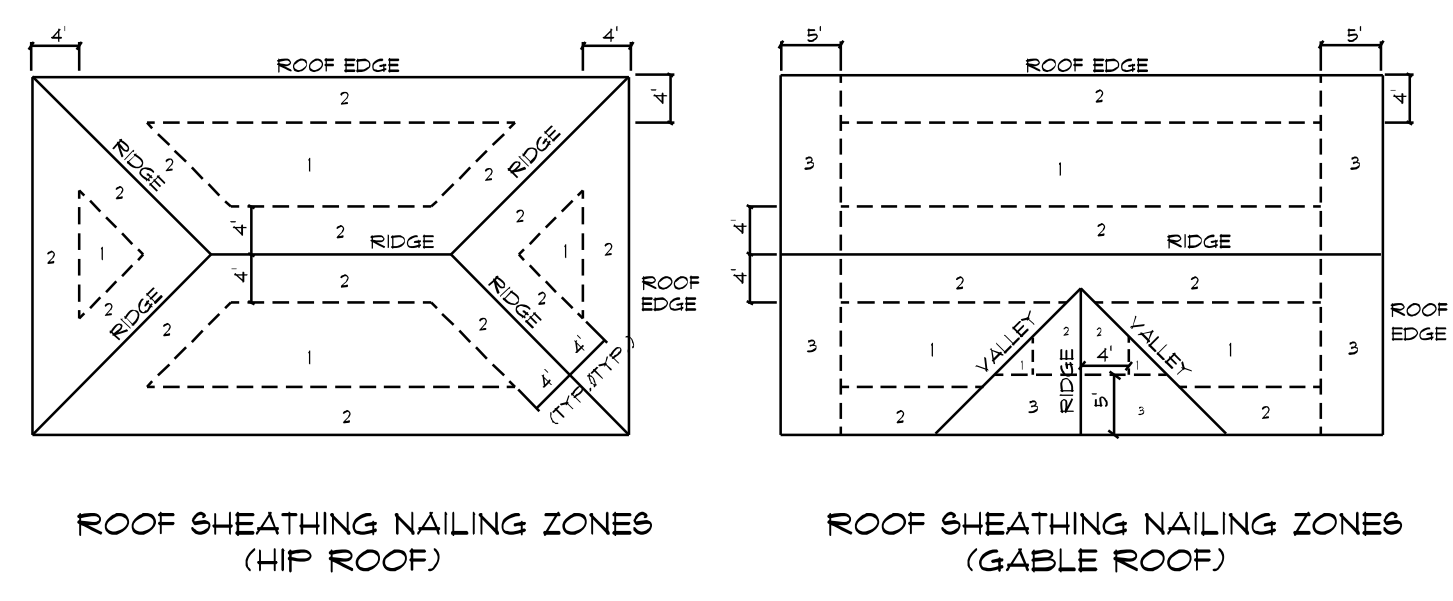
ROOF SHEATHING FASTENINGS			
NAILING ZONE	SHEATHING TYPE	FASTENER	SPACING
1			6 in. o.c. EDGE 12 in. o.c. FIELD
2	1/16" O.S.B. OR 15/32 CDX	.10 RING SHANKED NAILS	6 in. o.c. EDGE 6 in. o.c. FIELD
3			4 in. o.c. # GABLE END WALL OR GABLE TRUSS 6 in. o.c. EDGE 6 in. o.c. FIELD



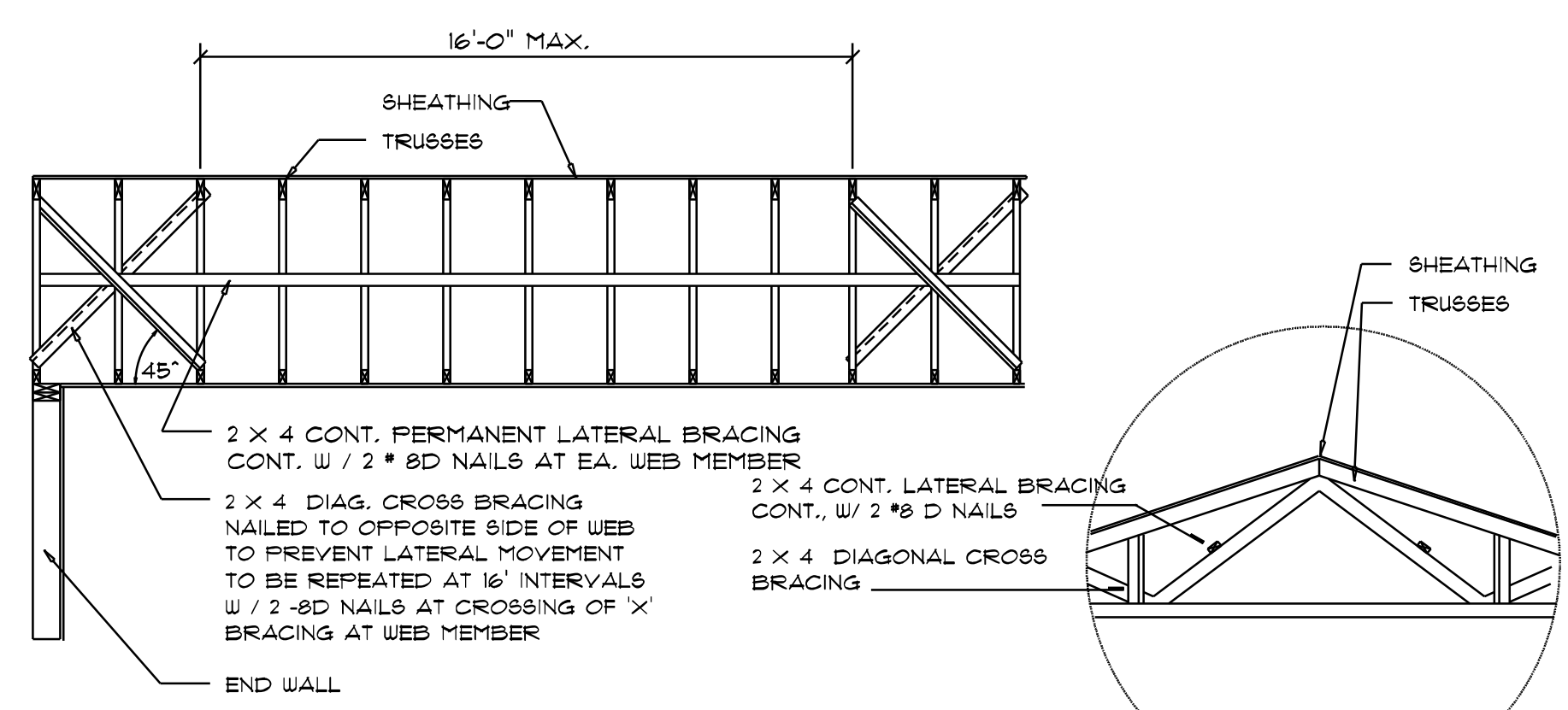
Girder Truss Column DET.
 SCALE: 1/2" = 1'-0"



END WALL BRACING FOR CEILING DIAPHRAGM
 NT& (ALTERNATIVE TO BALLOON FRAMING)
 NOTE: ALL WOOD TO BE NUMBER 2 GRADE SOUTHERN YELLOW PINE

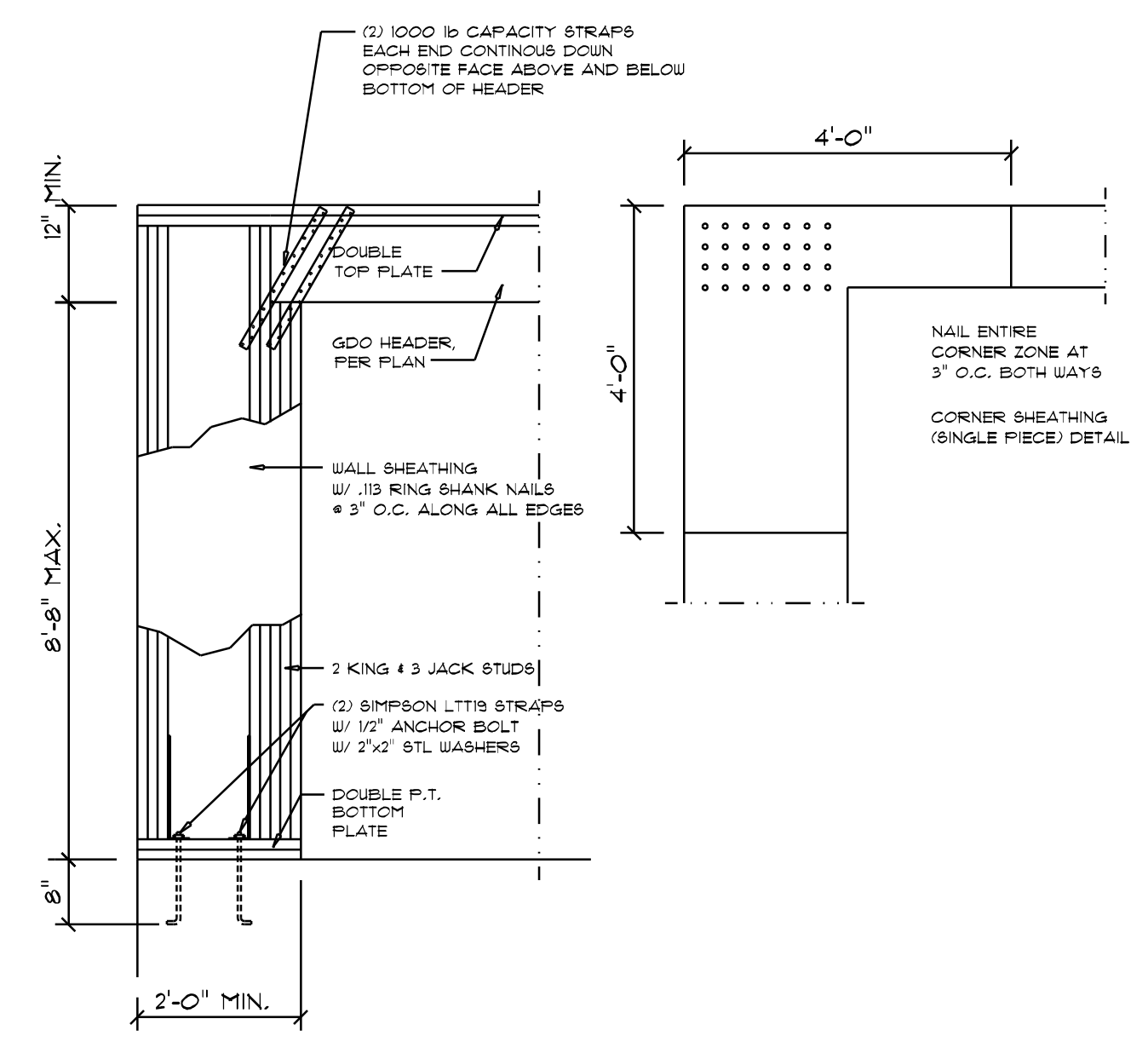


Roof Nail Pattern DET.
 SCALE: NONE

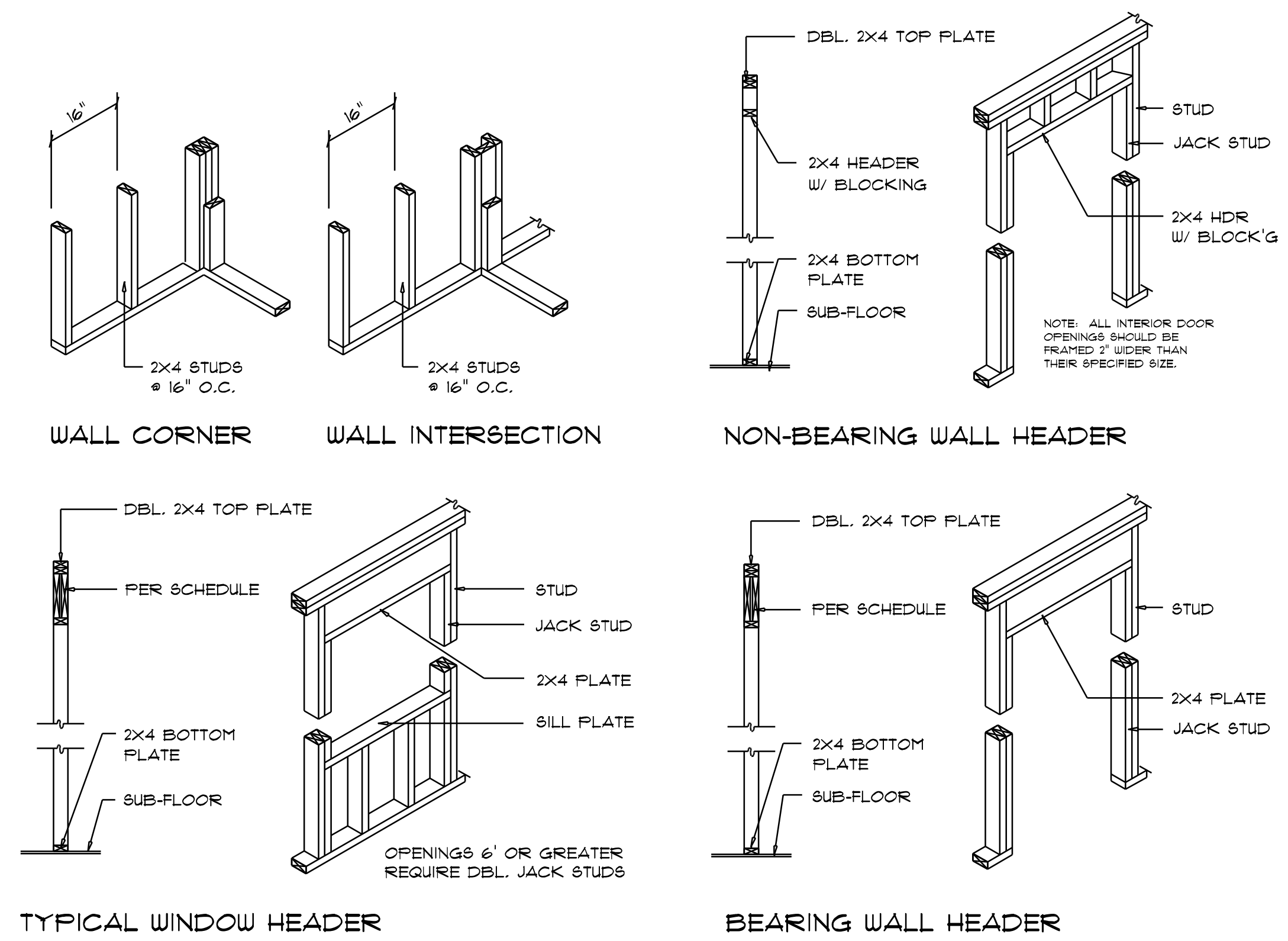


TYP. PERMANENT TRUSS BRACING DIA.
 NT&
 NOTE: ALL WOOD TO BE NUMBER 2 GRADE SOUTHERN YELLOW PINE

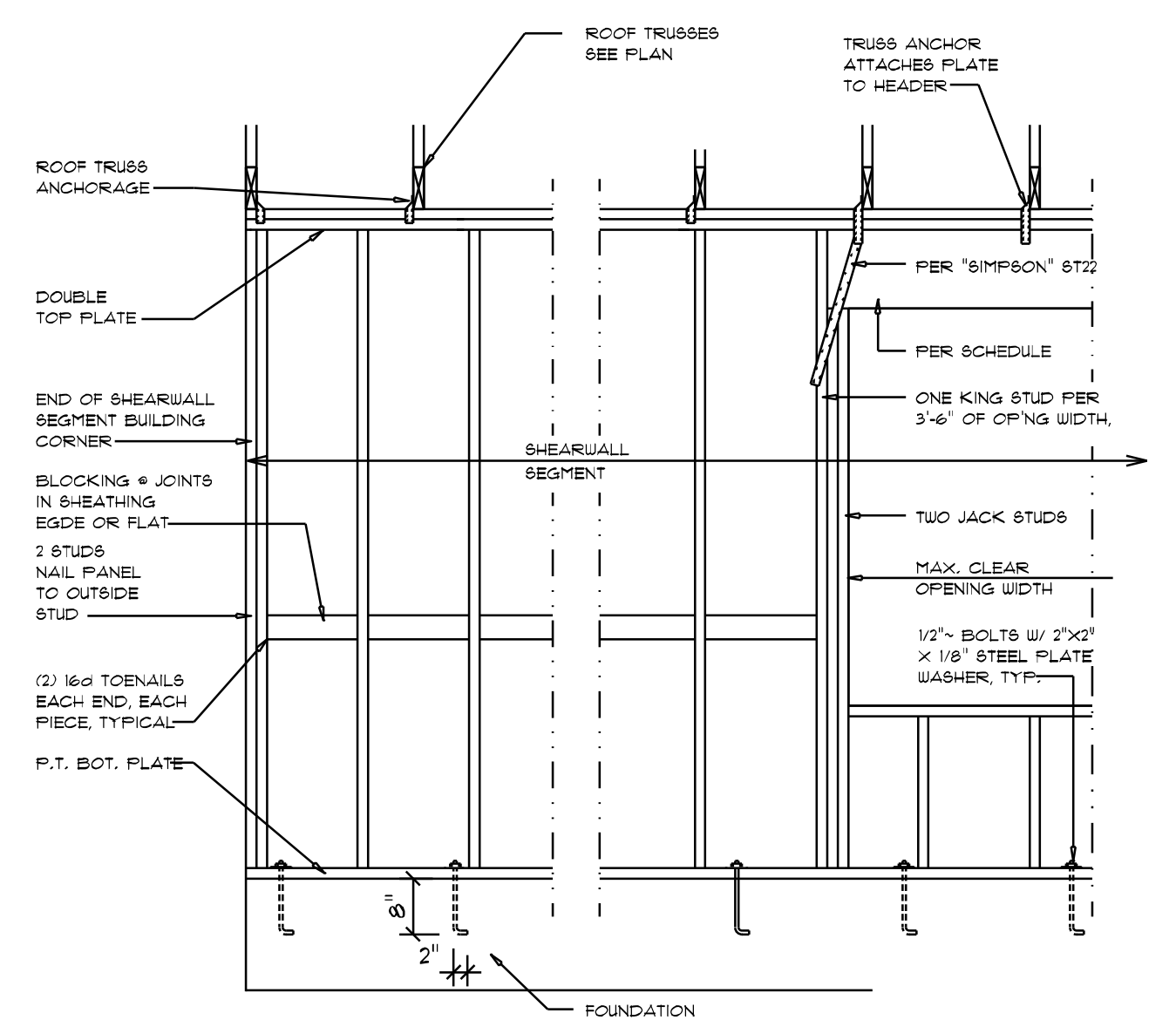
Truss Bracing DETAILS
 SCALE: AS NOTED



Garage SIDE Wall DETAILS
 SCALE: 1/2" = 1'-0"



Wall Framing/Header DETAILS
 SCALE: NONE



Shear Wall DETAILS
 SCALE: NONE

SHEARWALL NOTES:

- ALL SHEARWALLS SHALL BE TYPE 2 SHEARWALLS
- THE WALL SHALL BE ENTIRELY SHEATHED WITH 7/16" WINDSTORM BD INCLUDING AREAS ABOVE AND BELOW OPENINGS.
- ALL SHEATHING SHALL BE ATTACHED TO FRAMING ALONG ALL FOUR EDGES WITH JOINTS FOR ADJACENT PANELS OCCURRING OVER COMMON FRAMING MEMBERS OR ALONG BLOCKING.
- NAIL SPACING SHALL BE 6" O.C. EDGES AND 12" O.C. IN THE FIELD.
- TYPE 2 SHEARWALLS ARE DESIGNED FOR THE OPENING IT CONTAINS. FRAMING HEIGHT OF OPENING SHALL BE 5/6 TIMES THE WALL HEIGHT. THE MINIMUM DISTANCE BETWEEN OPENINGS SHALL BE THE WALL HEIGHT/3.5 FOR 8'-0" WALLS (2'-0").

OPENING WIDTH	SILL PLATES	16d TOE NAILS EACH END
UP TO 6'-0"	(1) 2x4 OR (1) 2x6	1
> 6' TO 9'-0"	(3) 2x4 OR (1) 2x6	2
> 9' TO 12'-0"	(5) 2x4 OR (2) 2x4	3