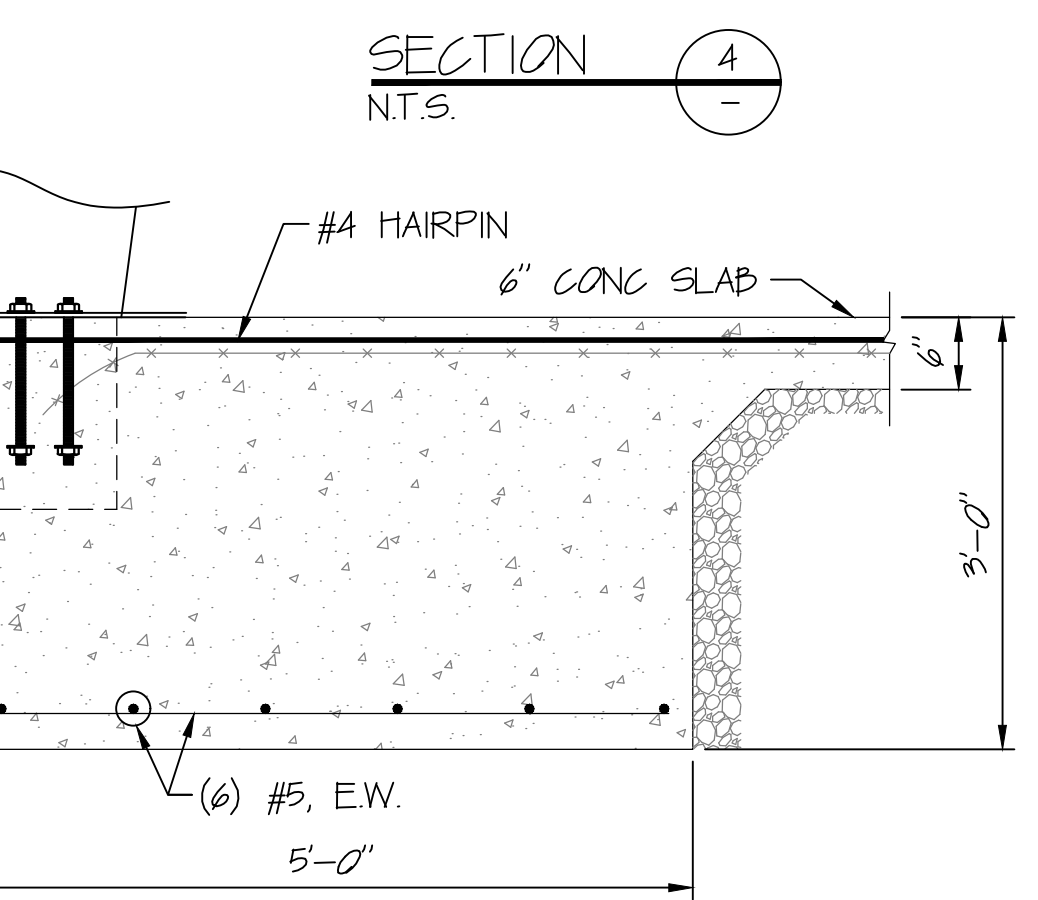
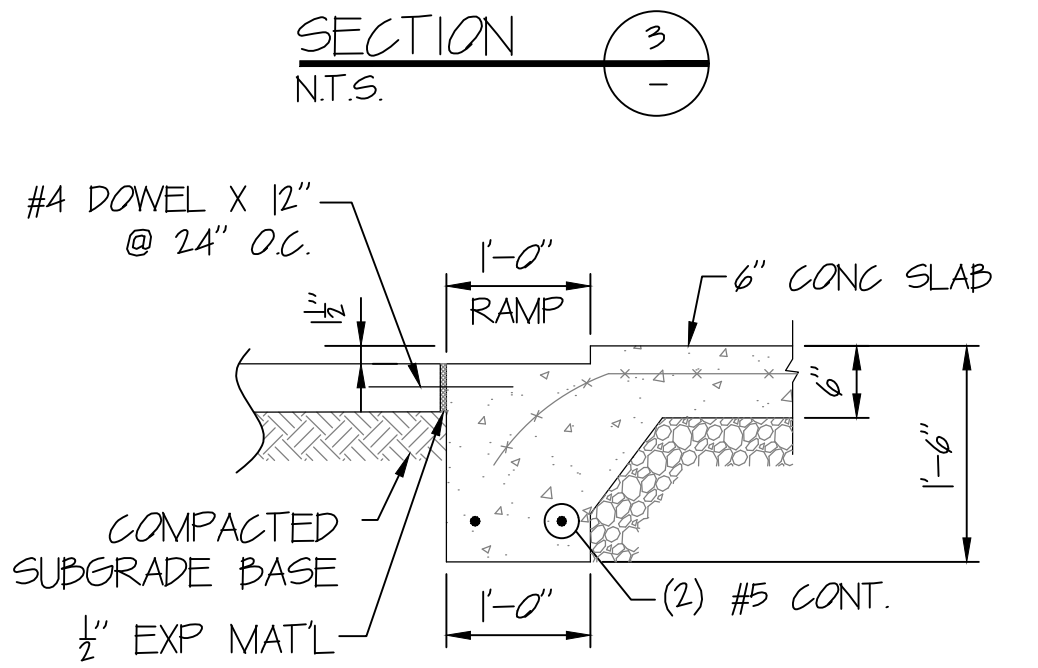
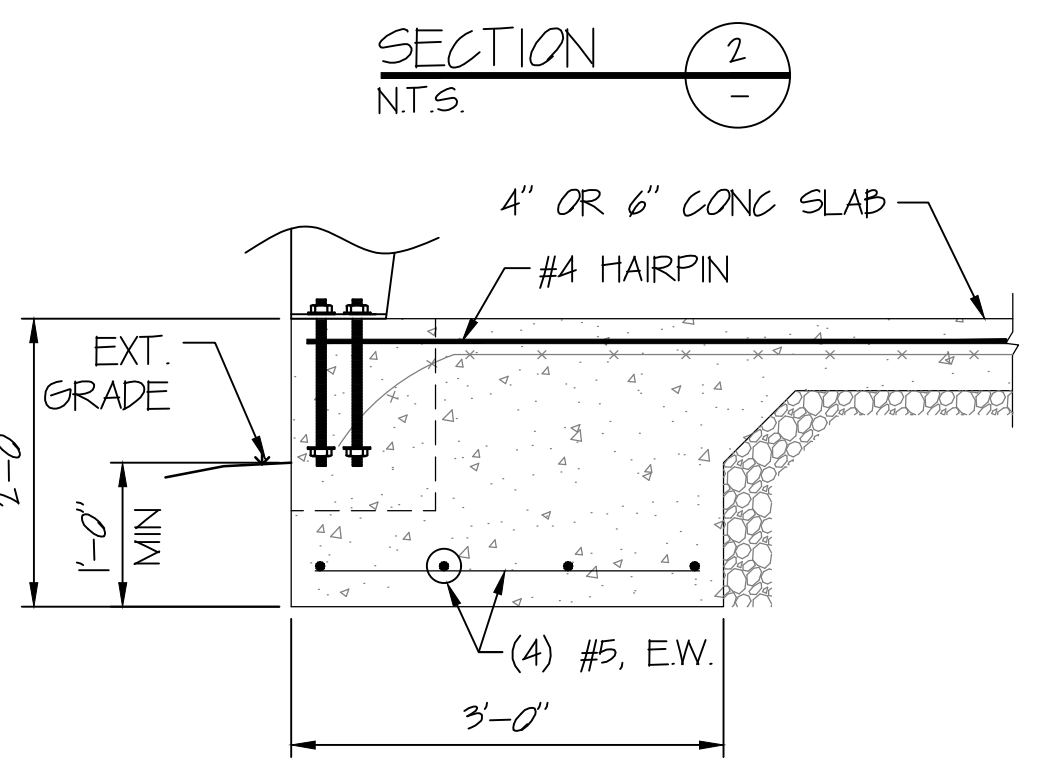
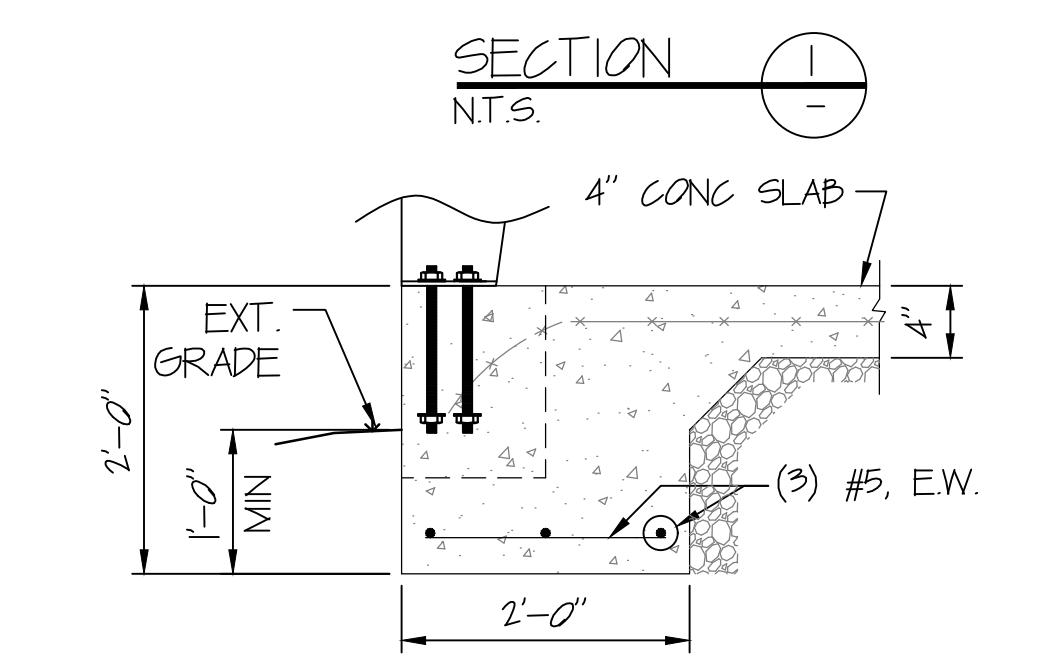
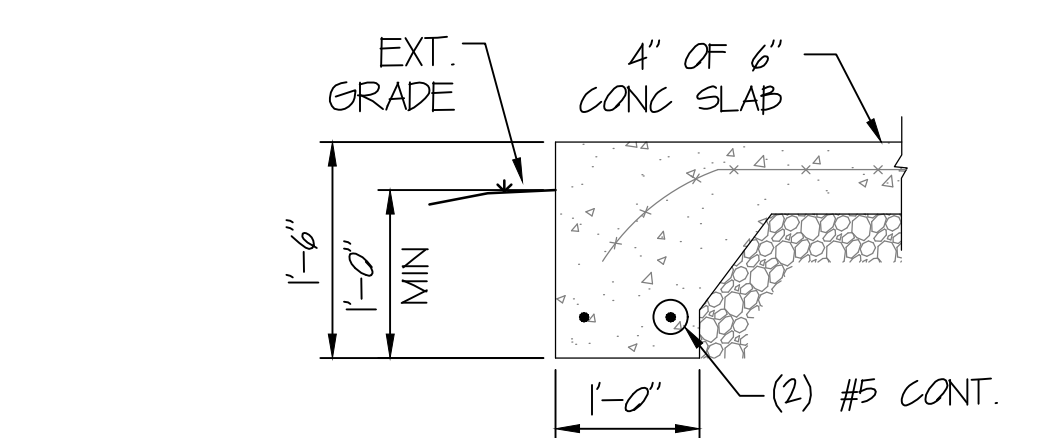


CONCRETE

- ALL CONCRETE WORK SHALL CONFORM TO ACI 301-18, "SPECIFICATIONS FOR BUILDINGS", EXCEPT AS NOTED BELOW. REFER TO CHAPTER 16 OF ACI 301 FOR REPORTS FROM TESTS THAT SHALL BE SUBMITTED TO THE STRUCTURAL ENGINEER, ARCHITECT, OWNER, ANY APPLICABLE CONTRACTORS, CONCRETE SUPPLIER, AND BUILDING OFFICIAL.
- CONCRETE WORK IN COLD WEATHER SHALL CONFORM TO ALL REQUIREMENTS OF ACI 308R-16 "STANDARD SPECIFICATION FOR COLD WEATHER CONCRETING" AND ACI 306R-16 "COLD WEATHER CONCRETING".
- CONCRETE WORK IN HOT WEATHER SHALL CONFORM TO ALL REQUIREMENTS OF ACI 309R-10 "HOT WEATHER CONCRETING". THE AIR TEMPERATURE, RELATIVE HUMIDITY, CONCRETE TEMPERATURE, AND WIND VELOCITY SHALL BE ENTERED INTO NOMOGRAPH FIG. 2.15 TO DETERMINE IF PRECAUTIONS AGAINST PLASTIC SHRINKAGE ARE REQUIRED.
- REBAR FABRICATION, PLACEMENT, SPLICING, ETC. SHALL BE IN ACCORDANCE WITH THE LATEST EDITIONS OF ACI 318, THE CONCRETE REINFORCING STEEL INSTITUTE (CRSI) HANDBOOK AND ANY OTHER APPLICABLE PUBLICATIONS.
- A SLUMP TEST SHALL BE PERFORMED BEFORE ANY HRWR IS ADDED.
- CONCRETE MATERIAL SPECIFICATION: 3000 PSF f'c BASED ON 28 DAYS STRENGTH.
- UNLESS OTHERWISE NOTED, REINFORCEMENT BARS TO HAVE MINIMUM CONCRETE COVER AS SHOWN BELOW:

CONCRETE CAST AGAINST AND PERMANENTLY EXPOSED TO EARTH:	3 INCHES
CONCRETE EXPOSED TO EARTH OR WEATHER:	
#5 BARS AND SMALLER	1 1/2 INCHES
OTHER	2 INCHES
CONCRETE NOT EXPOSED TO EARTH OR WEATHER:	
BEAM AND COLUMN BARS INCLUDING TIES, STIRRUPS AND SPIRALS	1/2 INCHES
SLABS, WALLS, AND JOISTS:	
#11 BARS AND SMALLERS	3/4 INCHES
OTHERS	1/2 INCHES
- ALL EXPOSED EDGES ARE TO BE CHAMFERED 3/4 INCH, UNO.
- LAP SPLICE LENGTHS TO BE OF CLASS "B" PER ACI.
- CONCRETE REINFORCEMENT SHALL CONFORM TO ASTM A615 OR A616, GRADE 60.
- ISOLATED COLUMN FOOTINGS HAVE BEEN DESIGNED WITH AN ASSUMED ALLOWABLE SOIL BEARING PRESSURE OF 1500 PSF, UPON ENCOUNTERING ANY ADVERSE SOIL CONDITIONS CONTACT THE STRUCTURAL ENGINEER.
- DO NOT CAST CONCRETE AGAINST WATER OR FROZEN WATER.

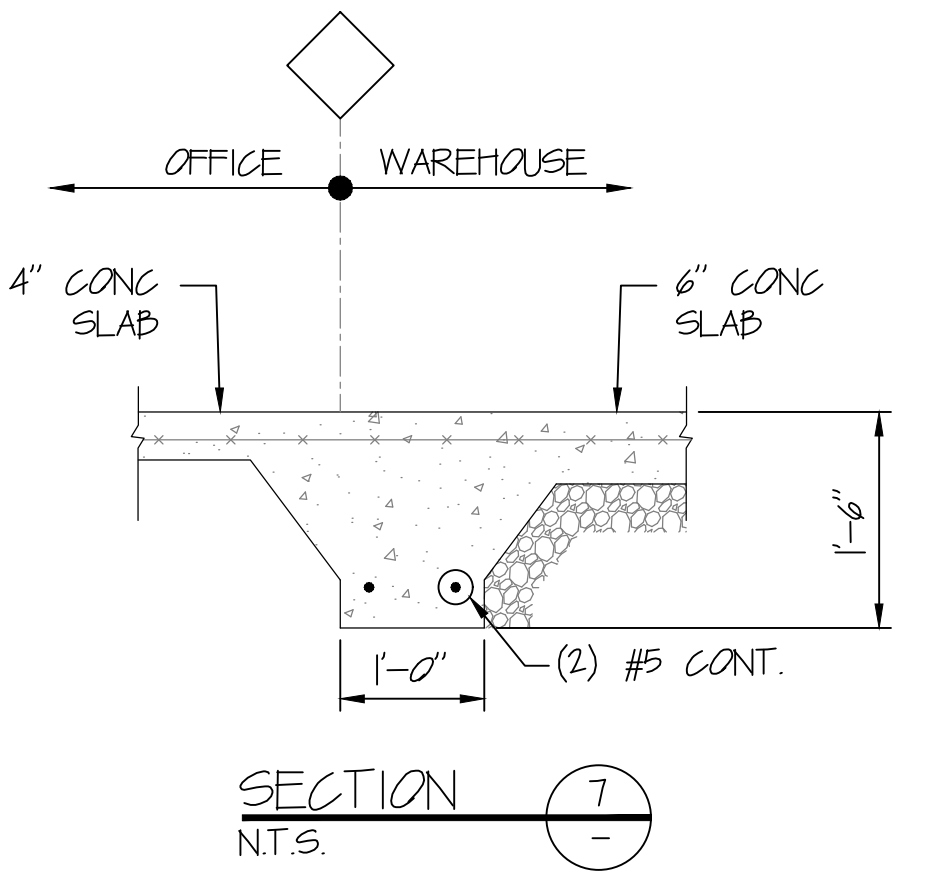
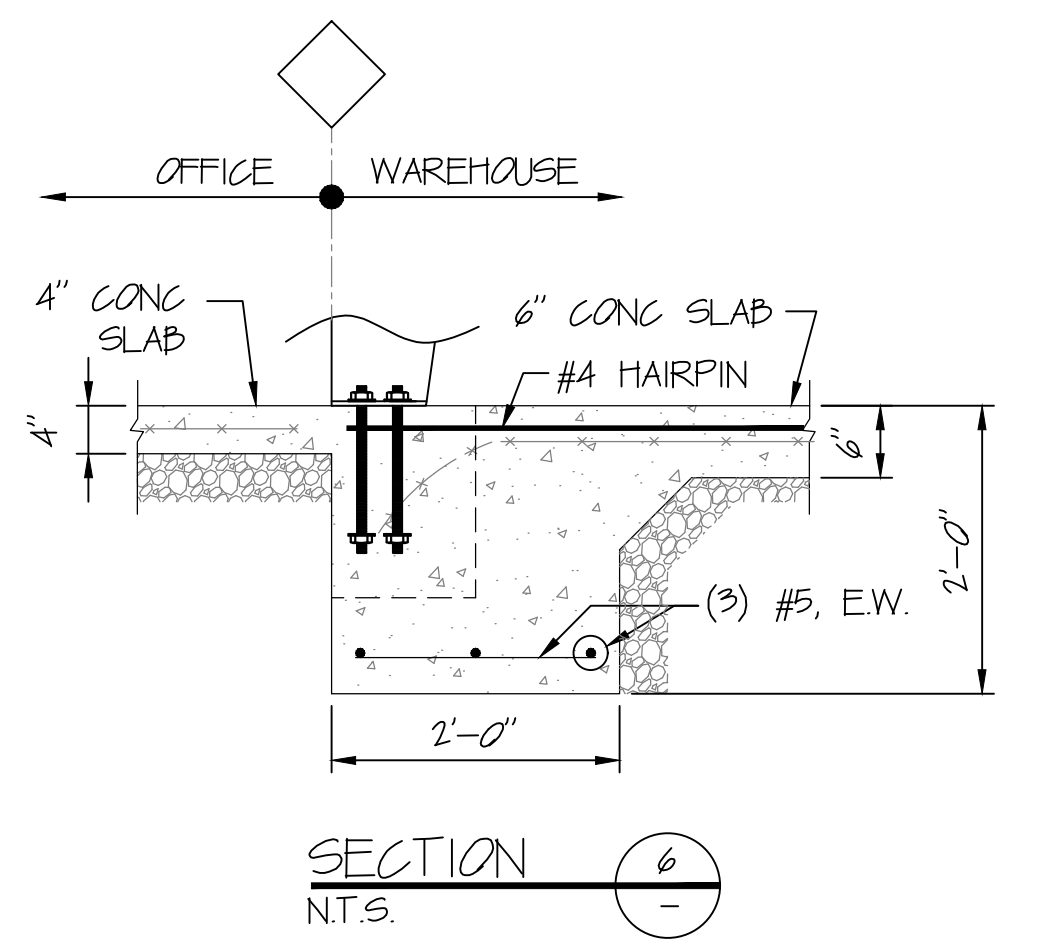


FOOTING SCHEDULE

FND MARK	FND SIZE (L x B x D)	REINFORCING		TOP OF FOOTING
		TOP, E.W.	BOTT, E.W.	
F1	2'-0" x 2'-0" x 2'-0"	NA	(3)-#5	100'-0"
F2	3'-0" x 3'-0" x 2'-0"	NA	(4)-#5	100'-0"
F3	5'-0" x 5'-0" x 3'-0"	NA	(6)-#5	100'-0"

FOUNDATION PLAN
NOTE: All Base Plates @ 100'-0" (U.N.)

THE SOIL BEARING PRESSURE IS ASSUMED TO BE 1500 PSF MAXIMUM. UPON ENCOUNTERING SOILS LESS THAN THIS CONTACT THE ENGINEER.



Tracy Mitchell

Digitally signed by Tracy Mitchell
Date: 2024.08.23 11:07:21 -04'00'



ASG LLC
AMERICAN STRUCTURAL GROUP
CONSULTING STRUCTURAL ENGINEERS
225 SOUTH MAIN STREET
MONROE, OHIO 45050
PH 513-402-7600
WWW.ASG-ENG.COM
"Value Engineering the First Time"

PROJECT		Warehouse/Office	FOUNDATION PLAN & DETAILS	
ID	Tom Traficante	DESIGN: TSM	DRAFT: GSM	CHECK: TSM
PROJECT ADDRESS	SW Windswept Glen Lake City, Fl. 32024	DATE: 08/22/24	SHEET 1 OF 1	