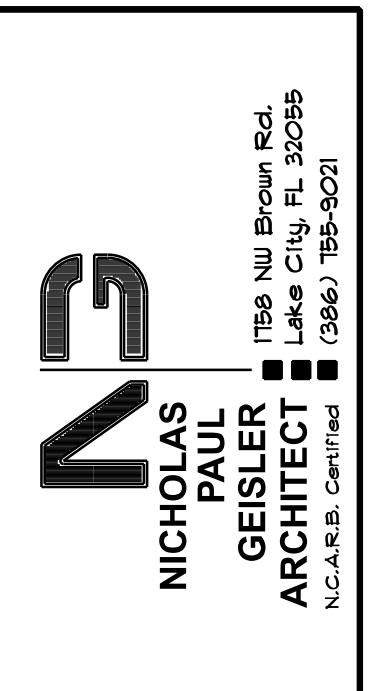


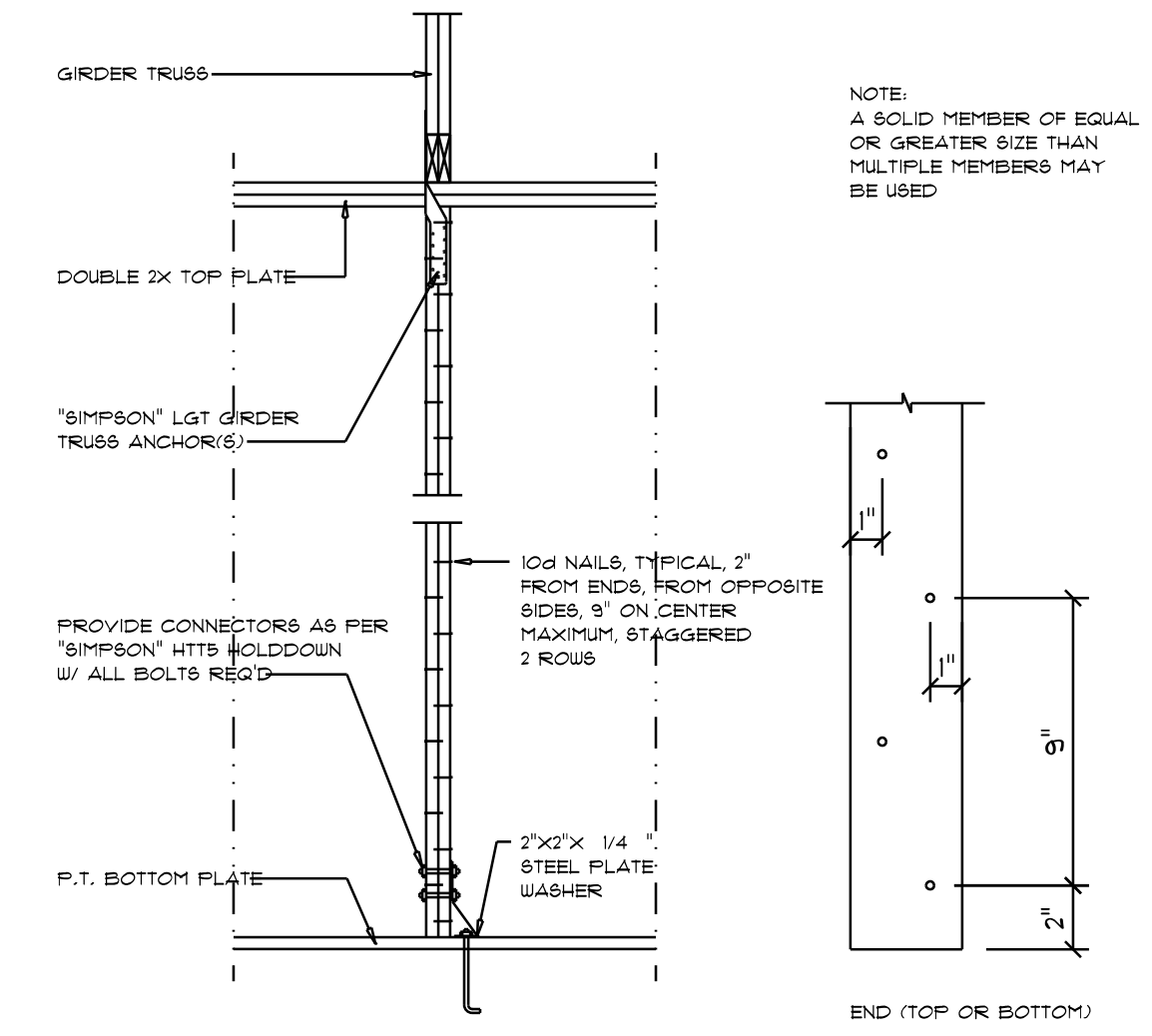
REVISIONS
Feb. 6th, 2023

THE MAGNOLIA MODEL LOT 5  
COLUMBIA COUNTY, FLORIDA  
IC CONSTRUCTION LLC  
LAKE CITY, FLORIDA

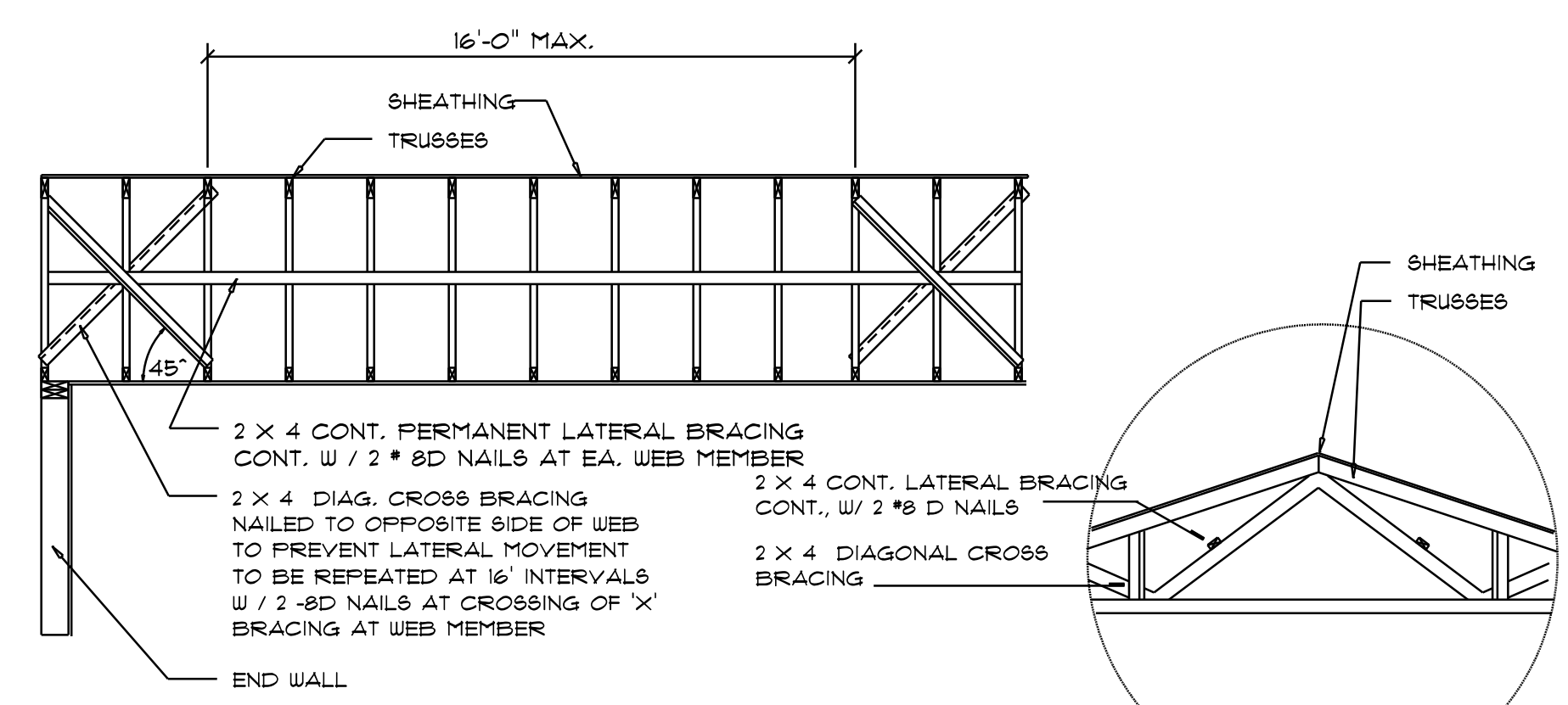


SHEET NUMBER  
**S.4**  
OF 4 SHEETS

Nicholas P. Geisler  
Digitally signed by: Nicholas P. Geisler  
DN: CN = Nicholas P. Geisler email = n.p.geisler47@gmail.com C = US  
Date: 2023.02.07 14:16:24 -05'00'  
AR0007005

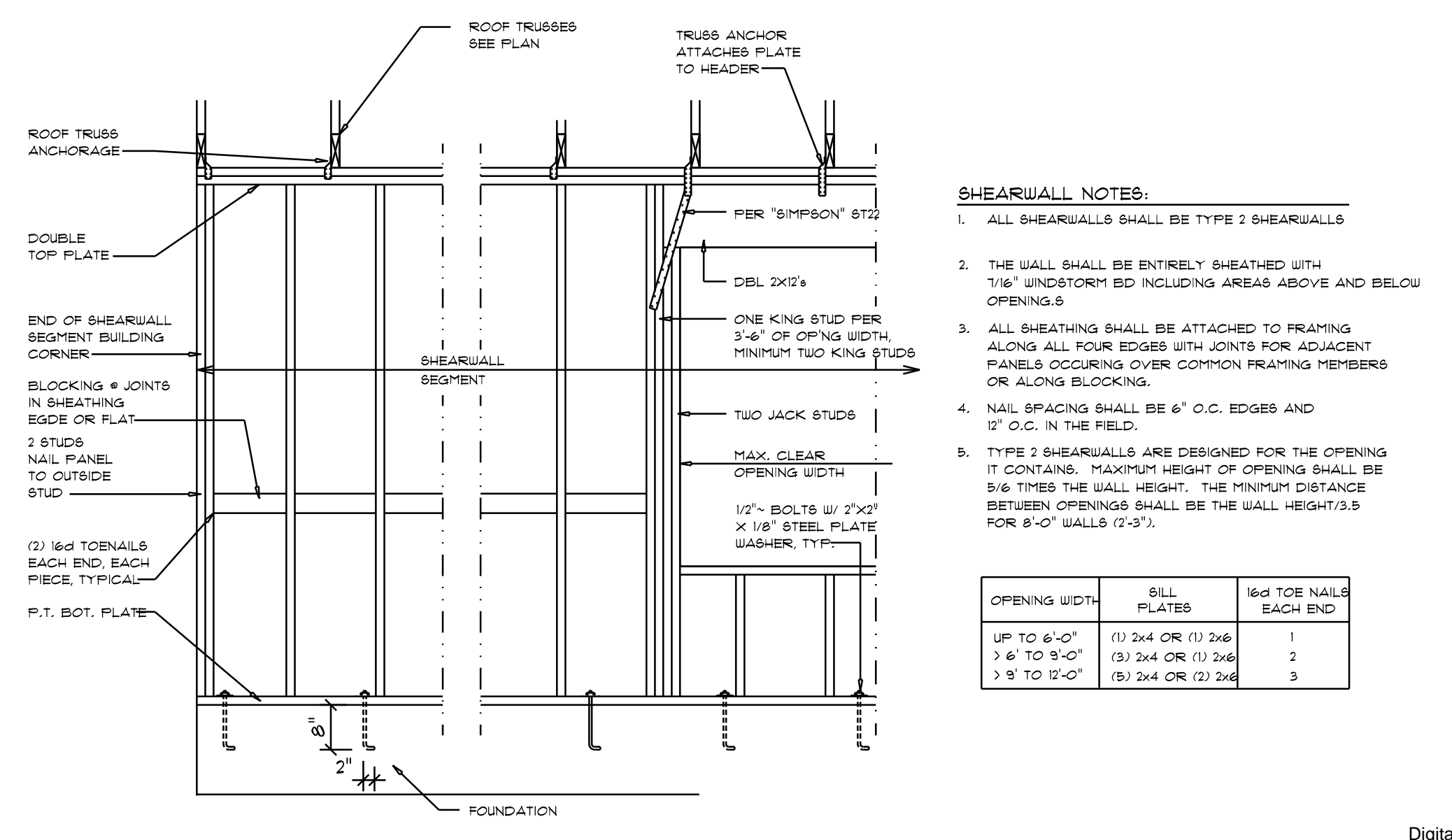


**Girder Truss Column DET.**  
SCALE: 1/2" = 1'-0"

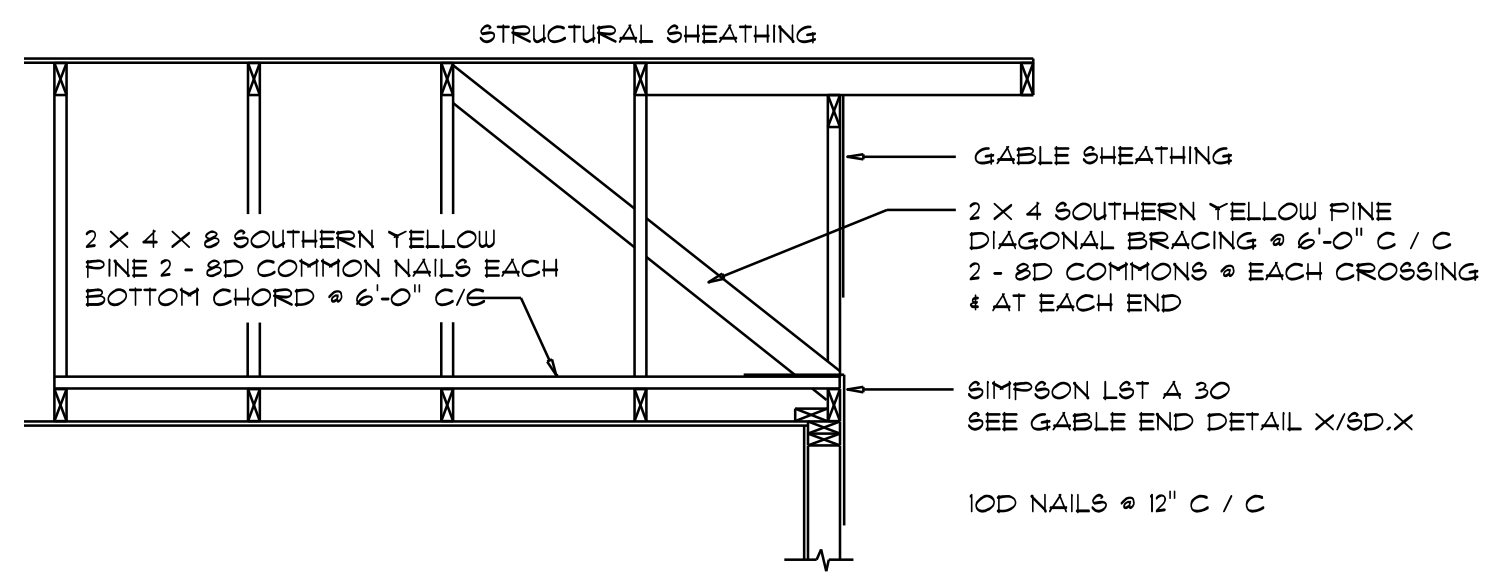


**TYP. PERMANENT TRUSS BRACING DIA.**  
NOTE: ALL WOOD TO BE NUMBER 2 GRADE SOUTHERN YELLOW PINE

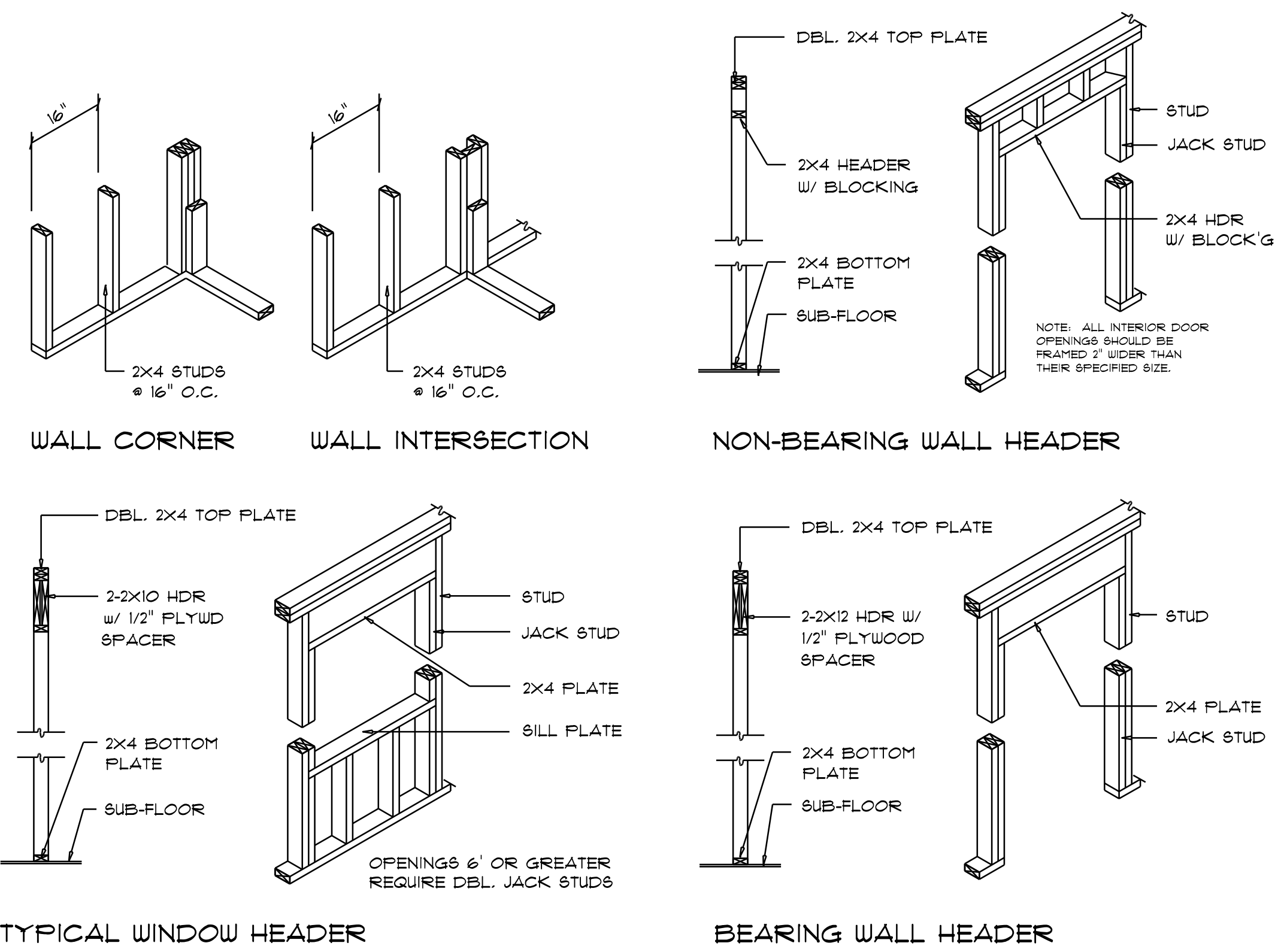
**Truss Bracing DETAILS**  
SCALE: AS NOTED



**Shear Wall DETAILS**  
SCALE: NONE



**END WALL BRACING FOR CEILING DIAPHRAGM**  
NOTE: ALL WOOD TO BE NUMBER 2 GRADE SOUTHERN YELLOW PINE



**Wall Framing/Header DETAILS**  
SCALE: NONE

**Shear Wall DETAILS**  
SCALE: NONE