

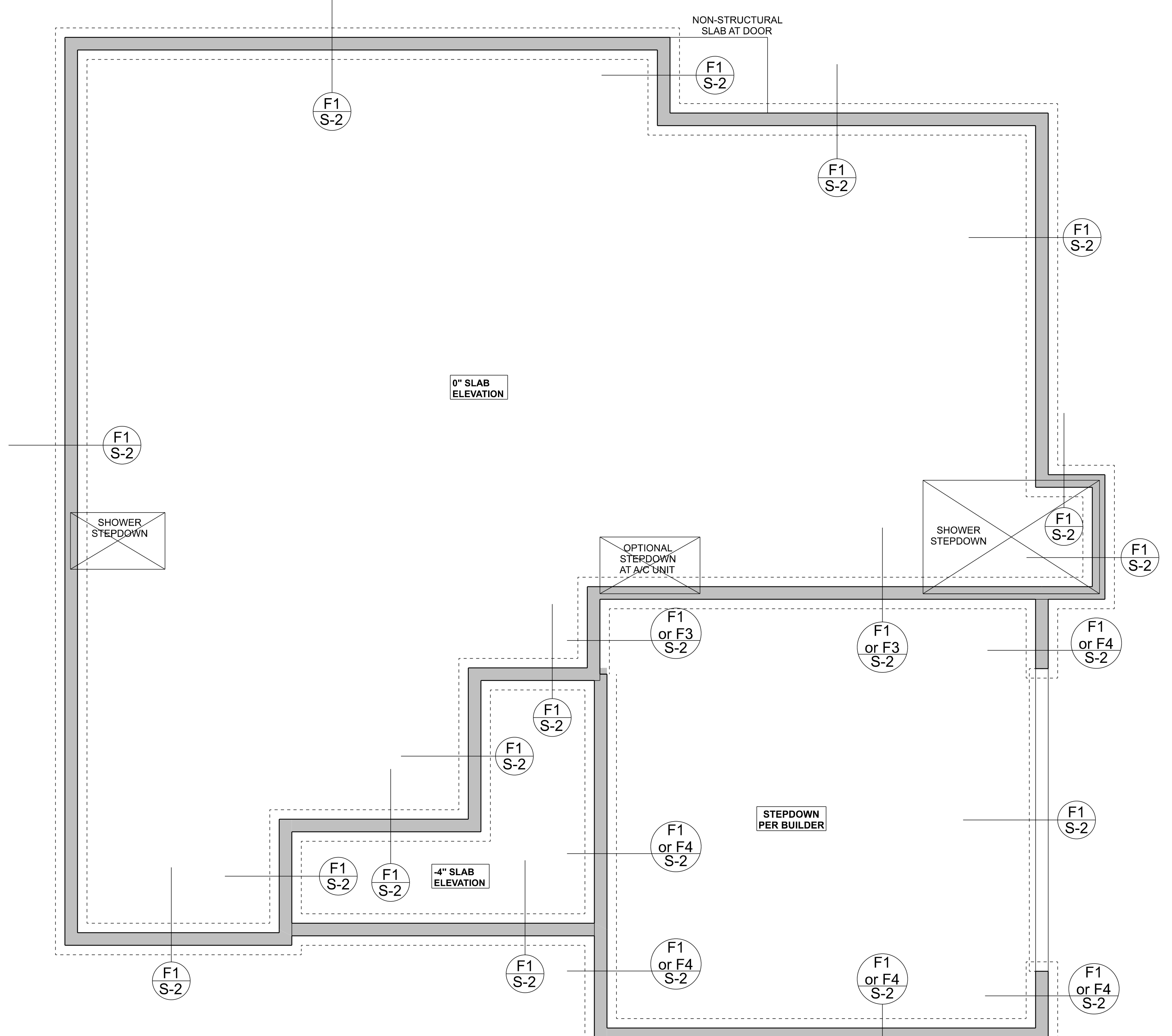
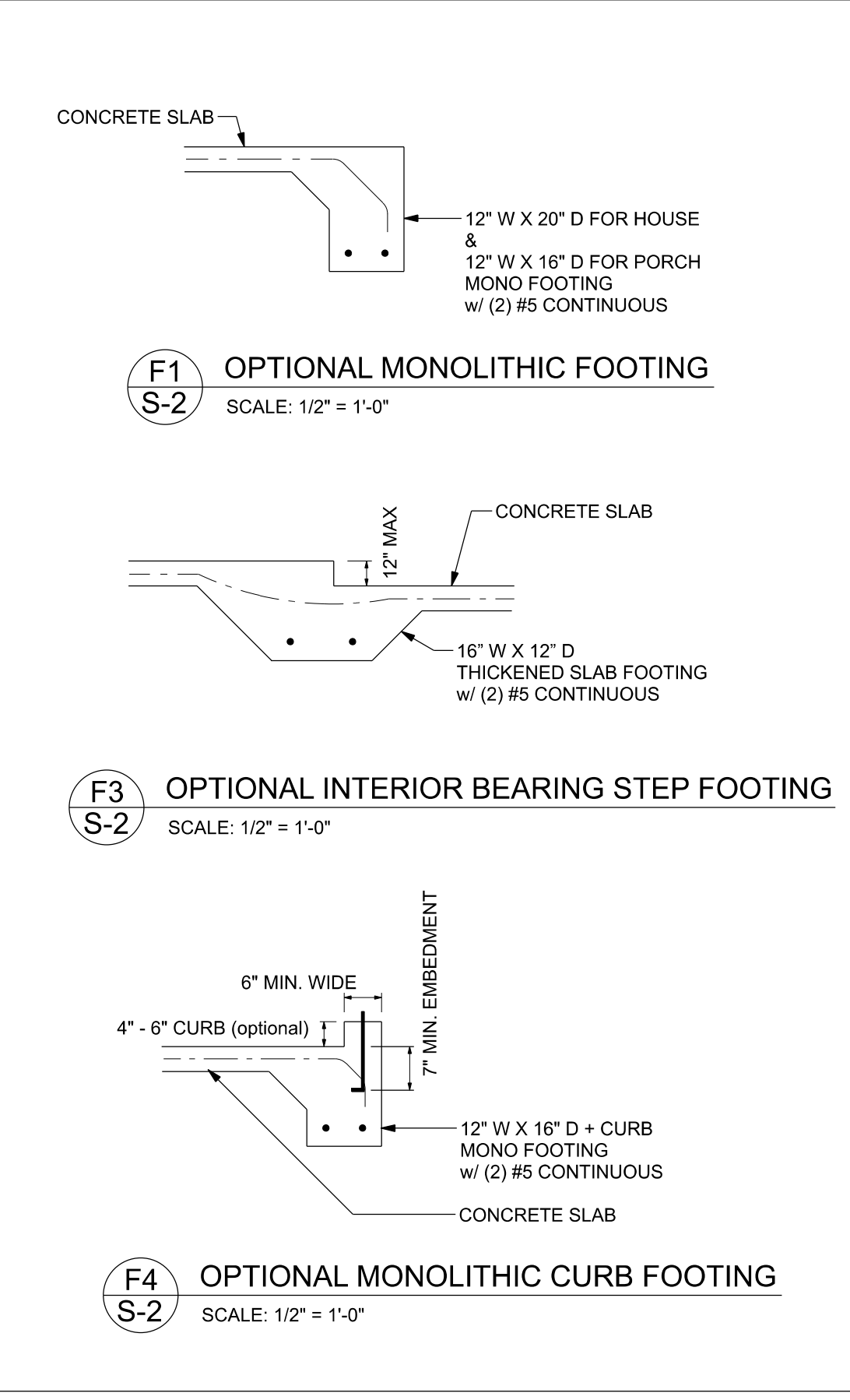
TALL STEM WALL TABLE:
The table assumes 40 ksi for #5 rebar and 60 ksi for #7 & #8 rebar with 6" hook in the footing and bent 24" into the reinforced slab at the top. The vertical steel is to be placed toward the tension side of the CMU wall (away from the soil pressure, within 2" of the exterior side of the wall). If the wall is over 8' high, add Durowall ladder reinforcement at 16" OC vertically or a horizontal bond beam with 1#5 continuous at mid height. For higher parts of the wall 12" CMU may be used with reinforcement as shown in the table below.

STEM WALL HEIGHT (FEET)	UNBALANCED BACKFILL HEIGHT	VERTICAL REINFORCEMENT FOR 8" CMU STEM WALL (INCHES O.C.)			VERTICAL REINFORCEMENT FOR 12" CMU STEM WALL (INCHES O.C.)		
		#5	#7	#8	#5	#7	#8
3.3	3.0	96	96	96	96	96	96
4.0	3.7	96	96	96	96	96	96
4.7	4.3	88	96	96	96	96	96
5.3	5.0	56	96	96	96	96	96
6.0	5.7	40	80	96	80	96	96
6.7	6.3	32	56	80	56	96	96
7.3	7.0	24	40	56	40	80	96
8.0	7.7	16	32	48	32	64	80
8.7	8.3	8	24	32	24	48	64
9.3	9.0	8	16	24	16	40	48

MASONRY NOTE:
MASONRY CONSTRUCTION AND MATERIALS FOR THIS PROJECT SHALL CONFORM TO ALL REQUIREMENTS OF "SPECIFICATION FOR MASONRY STRUCTURES" (ACI 530.1/ASCE 6/MS 602). THE CONTRACTOR AND MASON MUST IMMEDIATELY, BEFORE PROCEEDING, NOTIFY THE ENGINEER OF ANY CONFLICTS BETWEEN ACI 530.1-02 AND THESE DESIGN DRAWINGS. ANY EXCEPTIONS TO ACI 530.1-02 MUST BE APPROVED BY THE ENGINEER IN WRITING.

ACI 530.1-02 Section	Specific Requirements
1.4A Compressive strength	8" block bearing walls Fm = 1500 psi
2.1 Mortar	ASTM C 270, Type N, UNO
2.2 Grout	ASTM C 476, admixtures require approval
2.3 CMU standard	ASTM C 90-02, Normal weight, Hollow, medium surface finish, 8"x8"x16" running bond and 12"x12" or 16"x16" column block
2.3 Clay brick standard	ASTM C 216-02, Grade SW, Type FBS, 5.5"x2.75"x11.5"
2.4 Reinforcing bars, #3 - #11	ASTM 615, Grade 40, Fy = 40 ksi, Lap splices min 40 bar dia. (25" for #5)
2.4F Coating for corrosion protection	Anchors, sheet metal ties completely embedded in mortar or grout, ASTM A525, Class G60, 0.60 oz/lb2 or 304SS
2.4F Coating for corrosion protection	Joint reinforcement in walls exposed to moisture or air ties, anchors, sheet metal ties not completely embedded in mortar or grout, ASTM A153, Class B2, 1.50 oz/lb2 or 304SS
3.3.E.2 Pipes, conduits, and accessories	Any not shown on the project drawings require engineering approval.
3.3.E.7 Movement joints	Contractor assumes responsibility for type and location of movement joints if not detailed on project drawings.

BOTTOM OF EXTERIOR FOOTINGS SHALL BE A MINIMUM OF 12" BELOW UNDISTURBED SOIL OR ENGINEERED FILL

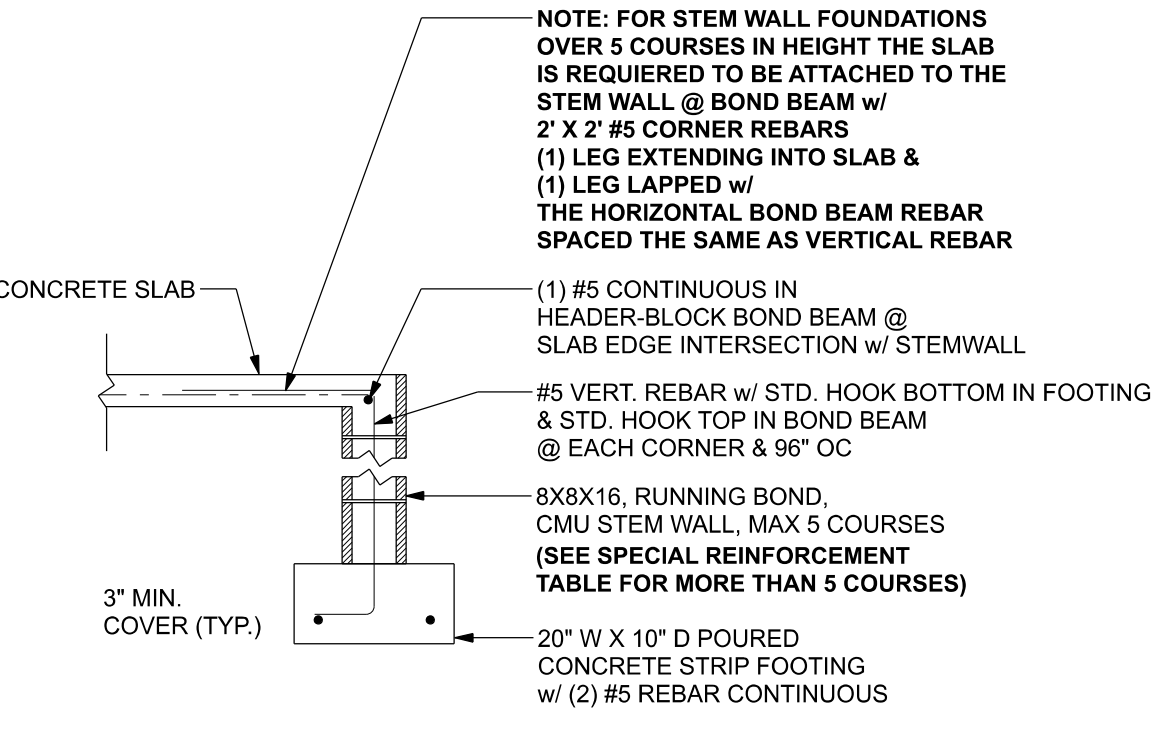
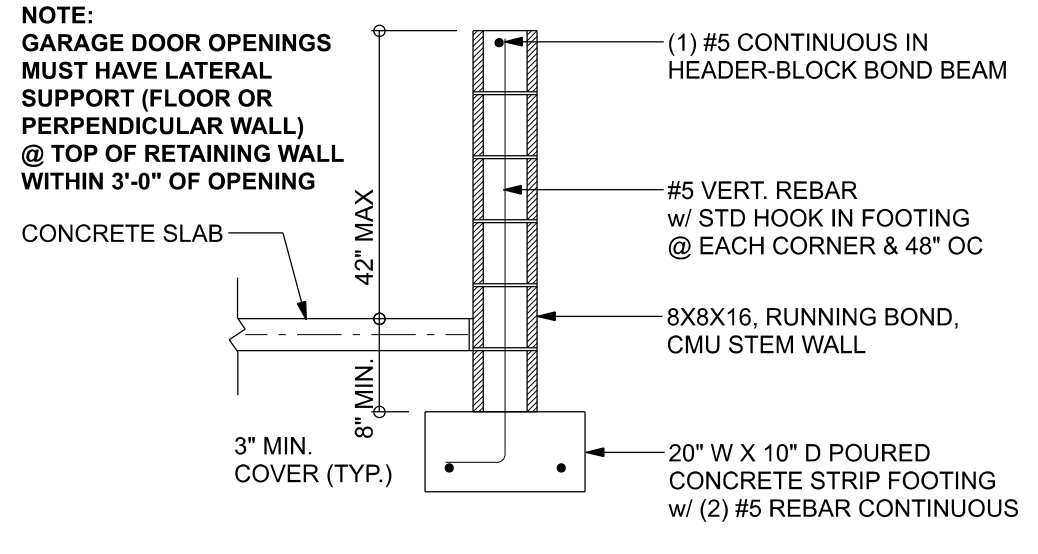
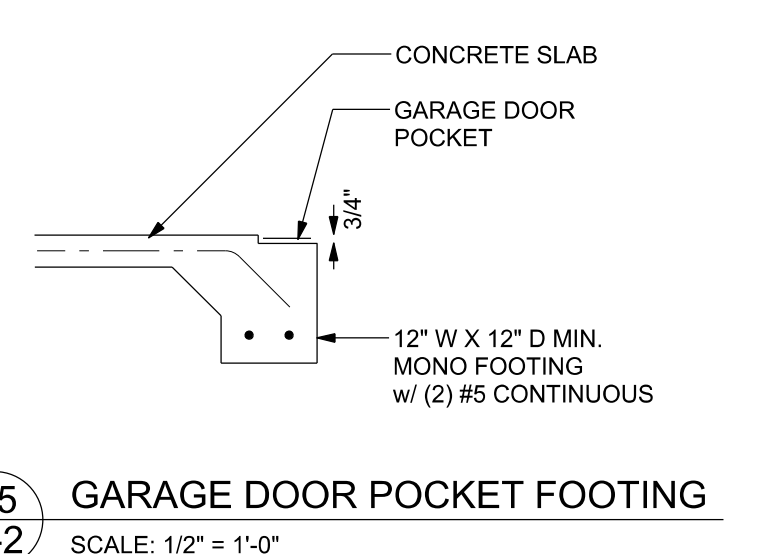


FOUNDATION PLAN

SCALE: 1/4" = 1'-0"

FOUNDATION NOTES

- FN-1 DIMENSIONS ON FOUNDATION & STRUCTURAL SHEETS ARE NOT EXACT. REFER TO ARCHITECTURAL PLANS FOR ACTUAL DIMENSIONS, RECESSES IN SLAB, STEP DOWNS, ETC. DISOSWAY DESIGN GROUP OR MARK DISOSWAY, P.E. IS NOT RESPONSIBLE FOR DIMENSION ERRORS ON THIS PLAN.
- CONTRACTOR SHALL VERIFY NEED FOR INTERIOR BEARING IN ALL AREAS BY REVIEWING THE ROOF TRUSS PLAN (BY THE SUPPLIER) BEFORE FINALIZING FOUNDATION PLAN.
- FN-2 THE SLAB SHALL BE 4" CONCRETE SLAB REINFORCED W/ #6-6 @ 1'4" WELDED WIRE MESH PLACED ON CHAIRS @ 1 1/2" DEPTH OR FIBER MESH CONCRETE, 6-MIL POLY VAPOR BARRIER W/ 6" LAPS SEALED W/ POLY TAPE OVER TERMITE-TREATED & COMPACTED FILL (ALSO, ANY OTHER CODE APPROVED TERMITE-TREATMENT METHOD CAN BE USED INSTEAD).



NOTE: FOR STEM WALL FOUNDATIONS OVER 5 COURSES IN HEIGHT THE SLAB IS REQUIRED TO BE ATTACHED TO THE STEM WALL @ BOND BEAM W/ 2" X 2" #5 CORNER REBARS (1) LEG EXTENDING INTO SLAB & (1) LEG LAPPED W/ THE HORIZONTAL BOND BEAM REBAR SPACED THE SAME AS VERTICAL REBAR

Bryan Zecher Homes, Inc.
Terry Wayne Res.
PROJECT ADDRESS:
163 SW Kimberly Lane
Lake City, FL

Mark Disosway P.E. PE 53915
This item has been digitally signed and sealed by Mark Disosway, P.E. on digital signature date. Printed copies of this document are not considered signed and sealed and the signature must be verified on any electronic copies.

C=US, O=Florida, dnQualifier=A01410C000017E97DE07CA000746F0, CN=Mark d Disosway
2024-10-17 18:21:31

DIMENSIONS:
Stated dimensions supersede scaled dimensions. Refer all questions to Mark Disosway, P.E. for resolution. Do not proceed without clarification.

COPYRIGHTS AND PROPERTY RIGHTS:
Mark Disosway, P.E. hereby expressly reserves its common law copyrights and property right in these instruments of service. This document is not to be reproduced, altered or copied in any form or manner without first the express written permission and consent of Mark Disosway.

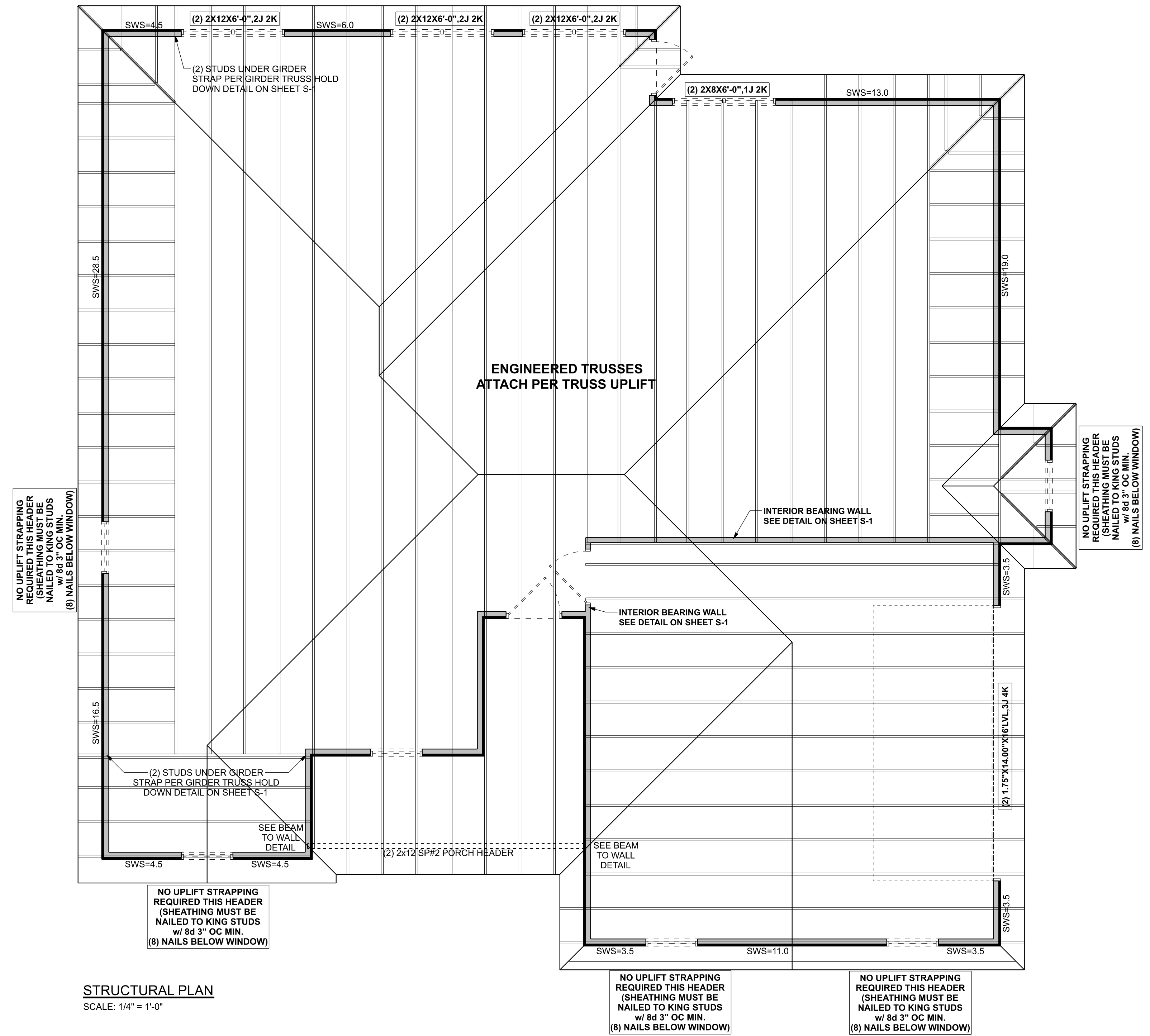
CERTIFICATION: I hereby certify that I have examined this plan, and that the applicable portions of the plan, relating to wind engineering comply with the 8th Edition Florida Building Code Residential (2023) to the best of my knowledge.

LIMITATION: This design is valid for one building, at specified location.

Mark Disosway P.E.
163 SW Midtown Place
Suite 103
Lake City, Florida 32025
386.754.5419
disoswaydesign@gmail.com

JOB NUMBER:
241103

S-2
OF 3 SHEETS



STRUCTURAL PLAN

SCALE: 1/4" = 1'-0"

STRUCTURAL PLAN NOTES

SN-1 DIMENSIONS ON STRUCTURAL SHEETS ARE NOT EXACT. REFER TO ARCHITECTURAL FLOOR PLAN FOR ACTUAL DIMENSIONS

SN-2 PERMANENT TRUSS BRACING IS TO BE INSTALLED AT LOCATIONS AS SHOWN ON THE SEALED TRUSS DRAWINGS. LATERAL BRACING IS TO BE RESTRAINED PER BCSI-1-03. BCSI-B1, BCSI-B2, & BCSI-B3. BCSI-B1, BCSI-B2, & BCSI-B3 ARE FURNISHED BY THE TRUSS SUPPLIER, WITH THE SEALED TRUSS PACKAGE

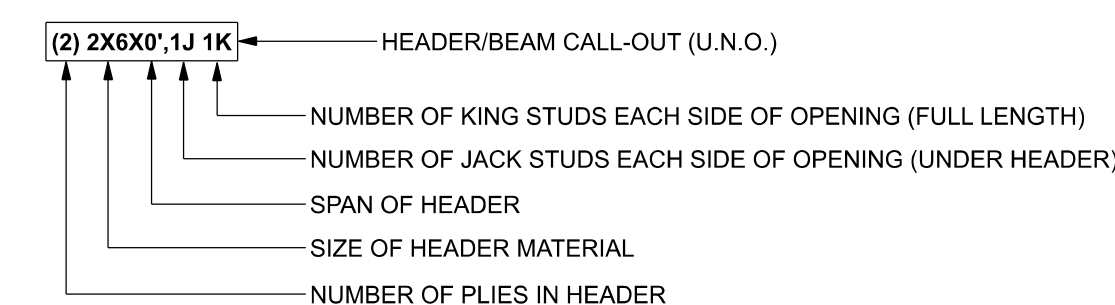
ACTUAL vs REQUIRED SHEARWALL		
	TRANSVERSE	LONGITUDINAL
ACTUAL	28116 LBF	19998 LBF
REQUIRED	15806 LBF	17790 LBF

CONNECTIONS, WALL, & HEADER DESIGN IS BASED ON REACTIONS & UPLIFTS FROM TRUSS ENGINEERING FURNISHED BY BUILDER, W. B. HOWLAND COMPANY INC. JOB #24-1378

UNLESS NOTED OTHERWISE (MINIMUM REQUIREMENTS) *SEE STRUCTURAL PLAN FOR ANY SPECIFIC CALL OUTS*****

BEAM / HEADERS (SIZE)	ALL LOAD BEARING FRAME WALL & PORCH HEADERS SHALL BE A MINIMUM OF (2) 2X6 SP #2 (UNO)
HEADERS (JACK & KING STUDS)	ALL LOAD BEARING FRAME WALL HEADERS SHALL HAVE (1) JACK STUD & (1) KING STUD EACH SIDE (UNO)
HEADERS (STRAPPING)	ALL HEADERS w/ UPLIFT TO BE STRAPPED OR SCREWED DOWN w/ MIN. OPTION #1 OR OPTION #3 (SEE DETAIL ON SHEET S-1) (U.N.O.) 1/2" X 10' ANCHOR BOLT w/ 3" X 3" X 1/4" WASHER MUST BE LOCATED WITHIN 6" OF KING STUD @ ALL DOOR LOCATIONS (U.N.O.)
JACK STUDS UNDER GIRDER TRUSS	USE ONE JACK STUD GIRDER SUPPORT PER 2000 LB LOAD

HEADER LEGEND



Bryan Zecher Homes, Inc

Terry Wayne Res.

PROJECT ADDRESS:
SW Kimberly Lane
Lake City, FL

Mark Disoway FL PE 53915
This item has been digitally signed and sealed by Mark Disoway PE on digital signature date. Printed copies of this document are not considered signed and sealed and the signature must be verified on any electronic copies.

C=US, O=Florida, dnQualifier=A01410C000017E97DE07CA000746F0, CN=Mark d Disoway
2024-10-17 18:21:53

DIMENSIONS: Stated dimensions supersede scaled dimensions. Refer all questions to Mark Disoway, P.E. for resolution. Do not proceed without clarification.

COPYRIGHTS AND PROPERTY RIGHTS: Mark Disoway, P.E. hereby expressly reserves its common law copyrights and property right in these instruments of service. This document is not to be reproduced, altered or copied in any form or manner without first the express written permission and consent of Mark Disoway.

CERTIFICATION: I hereby certify that I have examined this plan, and that the applicable portions of the plan, relating to wind engineering comply with the 8th Edition Florida Building Code Residential (2023) to the best of my knowledge.

LIMITATION: This design is valid for one building, at specified location.

Mark Disoway P.E.
163 SW Midtown Place
Suite 103
Lake City, Florida 32025
386.754.5419
disowaydesign@gmail.com

JOB NUMBER:
241103

S-3
OF 3 SHEETS